

! Affected Products/Components

Legacy 11SGE (11 inch) shut off valves manufactured before January 1, 2014 are likely to require modification and servicing to ensure safe activation of the valve.

Diesel engines primarily for offshore power generation manufactured by CAT, Wartsila, EMD, HHI, Bergen, and MAN*.

*Note: These are registered trademarks of each referenced company.

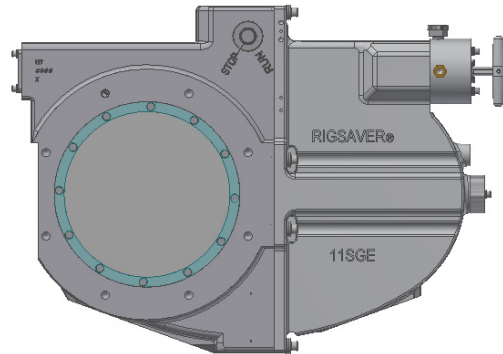
! Current Situation

- After extended periods of vibration, valve requires higher air pressure to activate or may have a tendency to false trip.
- Maintenance schedule for the shut off valve not previously provided

The shut off valve can be operated manually or pneumatically in the case of an emergency. It completely blocks the engine intake system, cutting off both the external fuel source and the air required to keep the engine running.

The level of vibration applied to the Rigsaver 11SGE shutoff valve varies by application and location on the engine.

Based on these factors, the reliability and performance of the valve may diminish over time.



Solution - The Next Generation

Upgrade your 11SGE shutoff valve to the Next Generation and extend its service life by introducing our recommended maintenance schedule.

We recommend the user verify performance every 2-4 weeks with regular cycle testing and adhere to the maintenance schedule contained in this document.

**Contact us to order now at
+44 1284 715739
sales@rigsaver.com**

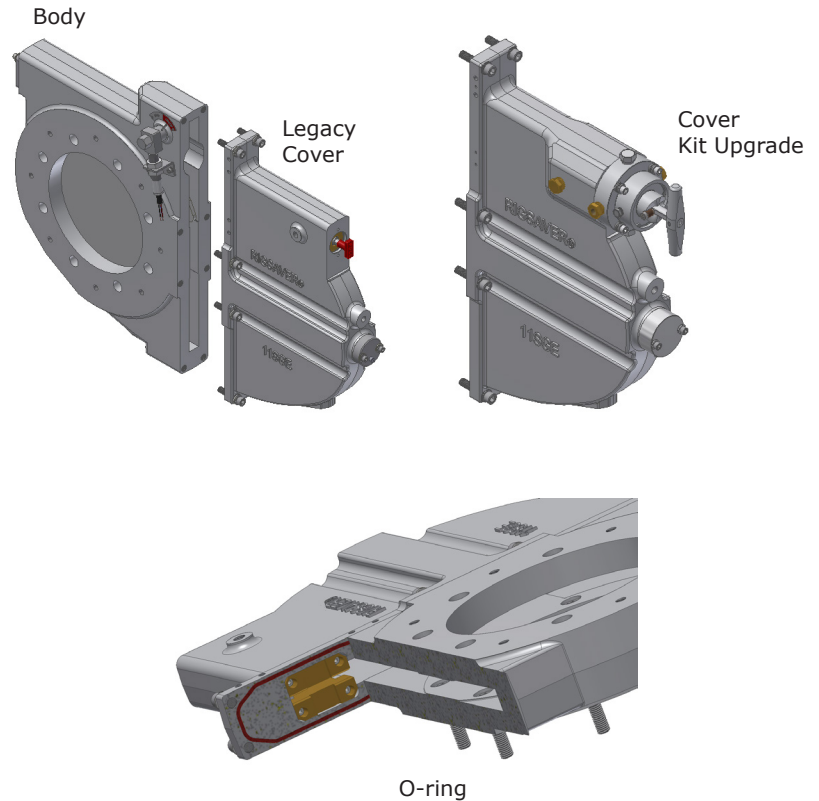
Benefits of Upgrading

- Reduces engine downtime and unplanned maintenance
- Fewer unscheduled service calls
- Higher durability and vibration resistance
- Reduces the required activation pressure to improve reliability
- High quality o-ring seals for better serviceability
- Eliminates charge air leakage
- Larger manual action handle allows user to actuate valve with twist action
- Optimizes components for serviceability

Cover Kit Upgrade

Upgrade your Legacy 11SGE Air Shutoff valve with our Cover Kit. It incorporates all the features and benefits of the Next Generation Valve. Cover Kit includes all components required to upgrade the spindle system and gate support mechanism as detailed below.

Easy field conversion - simply remove the cover from the installed body and replace with preassembled Cover Kit Upgrade.



Maintenance Schedule

Once you have installed and tested the cover kit upgrade, we recommend you introduce the following maintenance schedule activities for this component.

Engine Hours on Valve Body	4,000	8,000	12,000	16,000	20,000	24,000
Spindle Kit	●	●		●	●	
Gate Support Kit	●	●		●	●	
Cover Kit*			●			
Overhaul Valve						●

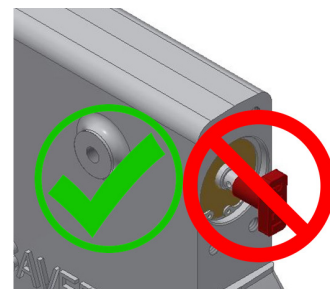
*Note: Includes Gate Support and Spindle Kits

Kit Part Numbers

Contact Customer Service at +44 1284 715739 for the specific Kit Part Number for your valve.

NOTICE: RIGSAVER Scheduled Function Testing

- Use Emergency Stop button to actuate valve pneumatically
- Verify performance every 2-4 weeks
- DO NOT use manual override handle for function testing
- If valve fails to actuate, contact an AMOT representative

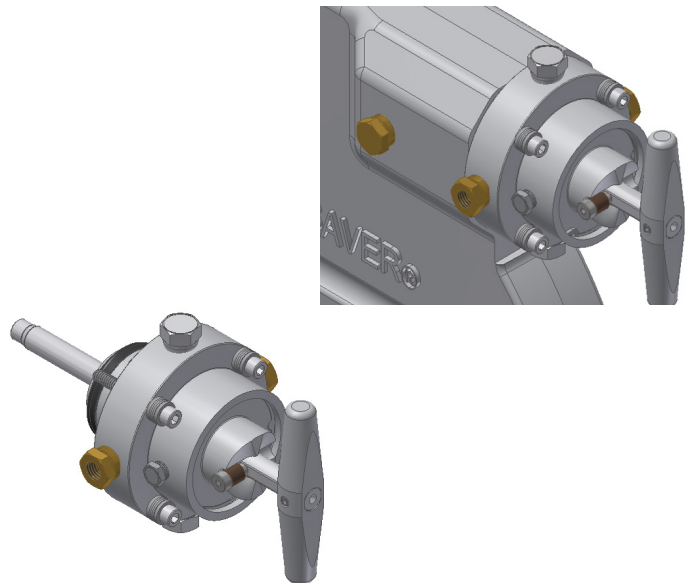


Maintenance Kits

Spindle System Kit

The spindle system is the mechanism that actuates the valve. With extended exposure to temperature and vibration, the components should be replaced periodically. Upgrading this system to the latest design improves the activation reliability.

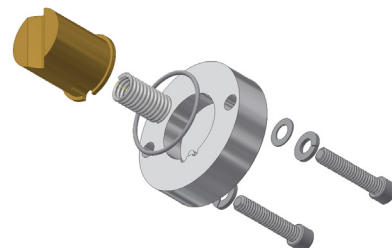
Also, the new spindle design has a larger release handle and steel helix ramp. This allows for an alternate method to de-latch the valve.



Gate Support Kit

The Gate Support is critical to reducing wear on other valve components.

The gate support mechanism engages the valve gate in the retracted position (open) in order to reduce wear caused by vibration. The life of the gate support mechanism can be greatly affected by the application and should be inspected by the operator.



Non-Contact High-Temp Switch Kit

We offer a non-contact high-temperature proximity switch for the Next Generation Rigsaver 11SGE shutoff valve. This option can be retrofitted in the field.

