

SECTIONAL TANK PRE-INSTALL HELP GUIDE

THIS SHEET GIVES A BRIEF RUN DOWN OF WHAT TO EXPECT DURING THE DELIVERY ASSEMBLY PROCESS

To enable us to arrange delivery and issue RAMS we will require all the details below prior to despatch.

PROJECT NAME:
 SITE ADDRESS:
 SITE CONTACT:
 SITE MOBILE NO:



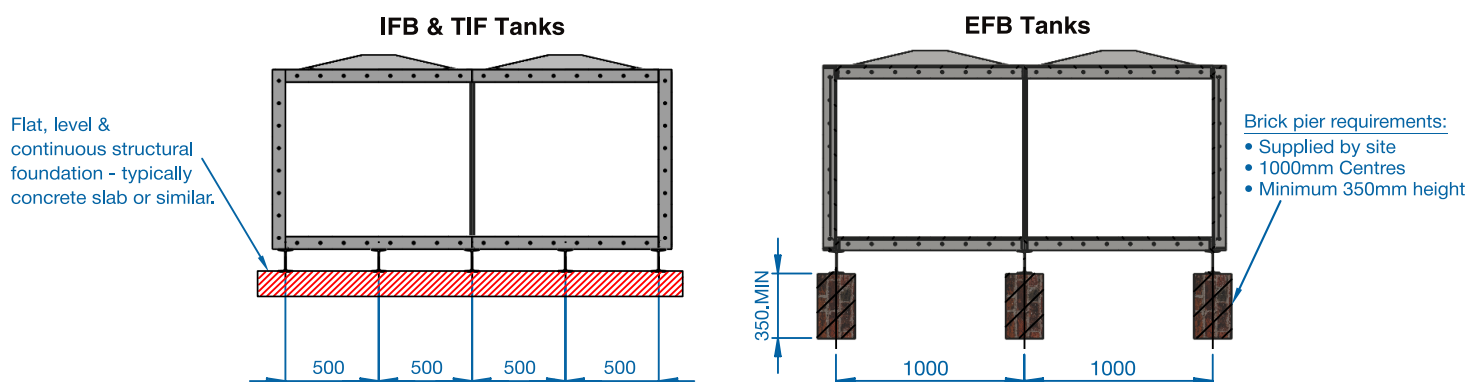
| | Helpful information | Other options |
|----|--|---|
| 1. | Unless an alternative has been requested and costed – all deliveries will be on a flat bed or curtain side vehicle and a forklift will be required to offload. | Request a cost for Hiab or Moffett delivery |
| 2. | After delivery the tank components are to be trekked by site and stored adjacent to the build area. (Please do not store any materials on the intended build area). | Request an additional cost for Purewater to trek components |
| 3. | For IFB or TIF tanks a structural pad area should be cast by site at a minimum this should be the external dims listed on your acknowledgment plus 100mm. | YES/NO |
| 4. | For EFB tanks raised piers 350mm high @1000mm centres should be constructed by site – please refer to your tank drawing for details. | Please request a cost for 350mm high steels to be provided |
| 5. | We have allowed 1 hour for site inductions – please advise us in advance of any longer or pre site inductions. | |
| 6. | <p>We have sent you your tank drawing and you now have 2 options.</p> <ol style="list-style-type: none"> 1. Return the drawing with the connections marked on where you would like them fitting – must be returned 48hours prior to assembly date below. 2. Don't return the drawing and we will liaise with the site contact regarding the connection positions on the day of assembly. | |
| 7. | Advise us if the tank is located externally. | |

SECTIONAL TANK PRE-INSTALL HELP GUIDE

| | | |
|-----|---|--|
| 8. | Any cancelations to assembly dates must be made 7 days prior to the assembly start date – any late cancelations will incur a late cancelation charge. | |
| 9. | Please ensure site is aware the tank must be filled within 10 days of assembly – the sooner the better. Failure to fill will result in a charged retorque requirement. | |
| 10. | Please ensure site is aware once the assembly is completed, they will receive a sign off document which has a video link showing them their finished installation. | |
| 11. | Please ensure warranty is registered within the 10-day period. | |

If the terms have not been adhered to when we arrive onsite, Engineers have been instructed to leave site and an aborted visit charge will be made.

We look forward to working together on this project and if there's anything you need confirmation or advising on, please don't hesitate to contact us.



Email us here: info@purewaterstorage.co.uk

Visit our website here: www.purewaterstorage.co.uk