

# TOP SLIDE<sup>®</sup>

INTERNATIONAL

**5819**

**Full Extension Slide**  
Heavy Duty Slide

**Applications:**

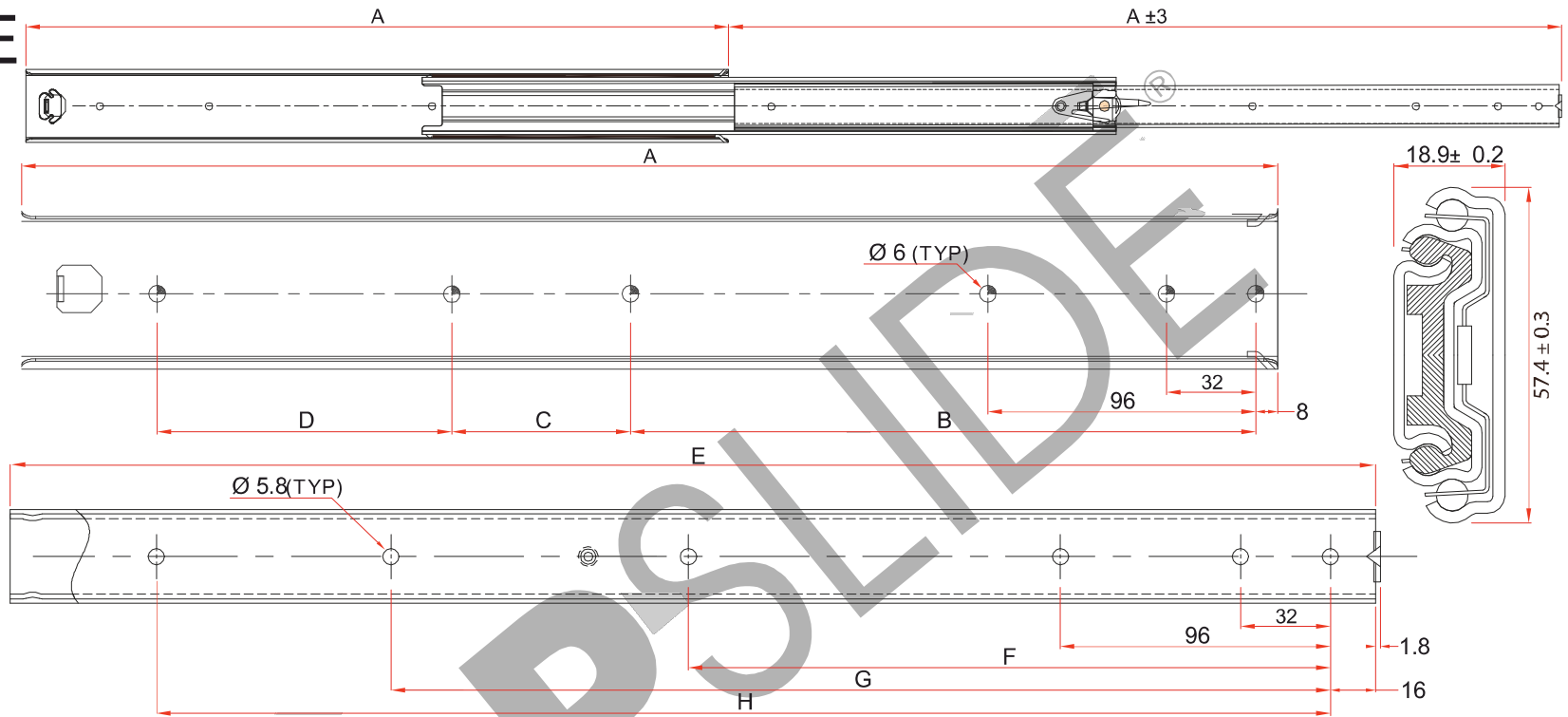
- Contract office
- Automotive
- Medical furniture

**Features:**

- Up to 100kg load rating
- Full extension
- Positive stop
- Detent-in
- Trigger disconnect
- Side mounted
- Non handed
- 32mm system hole pattern
- Zinc finish

**Options:**

- Available with bayonet tabs
- Self closing feature
- Sizes: 250mm - 1500mm



Lenght	A	B	C	D	E	F	G	H	Kg	Lenght	A	B	C	D	E	F	G	H	Kg
10"	250	192			243	192			75	36"	900	288	256	288	893	288	544	832	80
12"	300	224	32		293	224			80	38"	950	320	288	288	943	320	608	864	80
14"	350	224	64		343	288			90	40"	1000	350	228	228	993	320	578	928	80
16"	400	224	128		393	224	320		100	42"	1050	352	352	320	1043	352	608	800	75
18"	450	224	160		443	224	384		100	44"	1100	352	384	352	1093	320	608	832	75
20"	500	224	160	64	493	192	320	448	100	46"	1150	352	384	352	1043	320	640	864	75
22"	550	224	160	96	543	224	352	480	100	48"	1200	352	288	288	1193	320	512	704	75
24"	600	224	160	160	593	224	384	544	100	50"	1250	320	256	256	1243	320	544	768	75
26"	650	224	192	160	643	224	384	576	100	52"	1300	320	256	256	1293	320	576	800	75
28"	700	224	192	224	693	224	416	640	95	54"	1350	320	256	256	1343	320	576	832	75
30"	750	224	224	256	743	224	448	672	95	56"	1400	320	256	256	1393	320	576	896	75
32"	800	224	224	288	793	256	480	736	90	58"	1450	320	288	288	1443	320	608	928	75
34"	850	224	288	288	843	288	544	768	90	60"	1500	320	288	288	1493	320	608	960	75

**Model No. 5819**  
**Full Extension Slide**

Ver.3.30-01-2020

© TOPSLIDE International

TOPSLIDE reserve the right to amend specifications without notice.