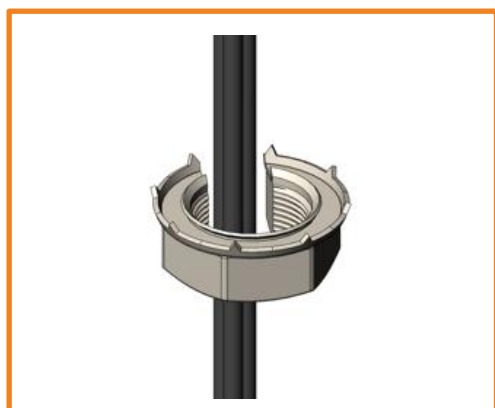


Slitted nut

Antenna accessory



The Smarteq Slitted Nut enables an easy and fast mounting of antennas, providing an M18x1 thread. Using this slit, there is no need of pulling the antenna cables/connectors through the center of the nut, as it will be enough to slide the nut over the cables from the side. The Smarteq Slitted Nut is specifically designed to be used with Smarteq's antenna families AllDisc, SmartDisc and LPCA

Features

- No need to pull cables through the nut
- Shorter installation time
- Enables usage of cable protection tube
- Designed for:
 - AllDisc family
 - SmartDisc family
 - LPCA
 - LPCA MIMO

Specifications

Mechanical

Material	Stainless steel
Thread	M18x1
Slit size	Width 10mm enables the use of protection tubes

Other

RoHS compliant
REACH compliant

Part number

710598	Slitted nut
--------	-------------

Smarteq reserves the right to change specifications without prior notice.

Smarteq, based in Stockholm, Sweden, is a leading developer of antennas and antenna systems for increased availability. Smarteq aims towards the market segments industry, energy and vehicles.

smarteq.com info@smarteq.com +46 8 792 92 00