

FEATURES

- Better than 1 mg resolution
- Dual axis accelerometer fabricated on a monolithic CMOS IC
- RoHS compliant
- On-chip mixed mode signal processing
- No moving parts
- 50,000 g shock survival rating
- 17 Hz bandwidth
- 3V to 5.25V single supply continuous operation
- Small (5.5mm x 5.5mm x 2.7mm) LCC XY/YZ sensing package
- Continuous self test

APPLICATIONS

- Automotive** – Vehicle Security/Active Suspension/ABS
Headlight Angle Control/Tilt Sensing
- Security** – Gas Line/Elevator/Fatigue Sensing
- Office Equipment** – Computer Peripherals/PDA's/
Cell Phones
- White Goods** – Spin/Vibration Control

GENERAL DESCRIPTION

The MXR2500MW is an ultra low noise and low cost, dual axis accelerometer fabricated on a standard, submicron CMOS process. It is a complete sensing system with on-chip mixed mode signal processing. The MXR2500MW measures acceleration with a full-scale range of ±2 g and a sensitivity of 500mV/g @5V at 25°C. It can measure both dynamic acceleration (e.g., vibration) and static acceleration (e.g., gravity). The MXR2500MW design is based on heat convection and requires no solid proof mass. This eliminates stiction and particle problems associated with competitive devices and provides shock survival of 50,000 g, leading to significantly lower failure rates and lower loss due to handling during assembly.

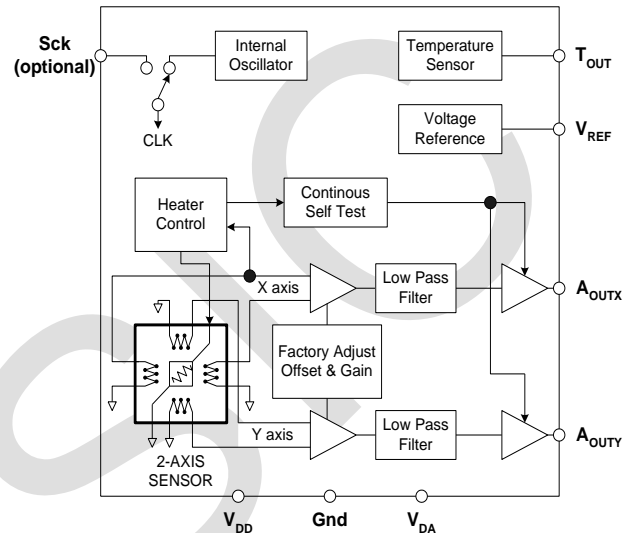


Figure 1:MXR2500MW functional block diagram

The MXR2500MW provides two absolute analog outputs. The typical noise floor is $0.2 \text{ mg}/\sqrt{\text{Hz}}$ allowing signals below 1 mg to be resolved at 1 Hz bandwidth. The 3dB rolloff of the device occurs at 17 Hz. The MXR2500MW is available in a LCC surface mount package (5.5 mm x 5.5 mm x 2.7 mm). It is hermetically sealed and is operational over a -40°C to +105°C temperature range. It also contains an on-chip temperature sensor and a bandgap voltage reference.

Information furnished by MEMSIC is believed to be accurate and reliable. However, no responsibility is assumed by MEMSIC for its use, nor for any infringements of patents or other rights of third parties which may result from its use. No license is granted by implication or otherwise under any patent or patent rights of MEMSIC.

MXR2500MW SPECIFICATIONS (Measurements @ 25°C, Acceleration = 0 g unless otherwise noted; V_{DD}, V_{DA} = 5.0V unless otherwise specified)

Parameter	Conditions	MXR2500M			Units
		Min	W Typ	Max	
SENSOR INPUT	Each Axis				
Measurement Range ¹		±2			g
Nonlinearity	Best fit straight line		0.5	1.0	% of FS
Alignment Error ²			±1.0		degree
Transverse Sensitivity ³			±2.0		%
SENSITIVITY	Each Axis				
Sensitivity, Analog Outputs at pins A _{OUTX} and A _{OUTY} ⁴		475	500	525	mV/g
Change over Temperature	Δ from 25°C	-25		+8	%
ZERO g BIAS LEVEL	Each Axis				
0 g Offset ⁴		-0.1	0.00	+0.1	g
0 g Voltage ⁴			2.50		V
0 g Offset over Temperature	Δ from 25°C		±1.5		mg/°C
	Δ from 25°C, based on 500mV/g		±0.75		mV/°C
NOISE PERFORMANCE					
Noise, rms			0.2	0.4	mg/√Hz
FREQUENCY RESPONSE					
3dB Bandwidth - uncompensated			17		Hz
TEMPERATURE OUTPUT					
T _{out} Voltage		1.15	1.25	1.35	V
Sensitivity		4.6	5.0	5.4	mV/°C
VOLTAGE REFERENCE OUTPUT					
V _{Ref} output	@3V-5.25V supply		2.5		V
Change over Temperature			0.1		mV/°C
Current Drive Capability	Source			100	μA
SELF TEST					
Continuous Voltage at A _{OUTX} , A _{OUTY} under Failure	supply voltage		5.0		V
A_{OUTX} and A_{OUTY} OUTPUTS					
Normal Output Range		1.0		4.0	V
Current	Source or sink, @ 3.0V-5.25V supply			100	μA
Turn-On Time ⁵			160		mS
POWER SUPPLY					
Operating Voltage Range		3.0		5.25	V
Supply Current			3.5		mA
TEMPERATURE RANGE					
Operating Range		-40		+105	°C

NOTES

¹ Guaranteed by measurement of initial offset and sensitivity.

² Alignment error is specified as the angle between the true and indicated axis of sensitivity.

³ Transverse sensitivity is the algebraic sum of the alignment and the inherent sensitivity errors.

⁴ The device operates over a 3.0V to 5.25V supply range. Please note that sensitivity and zero g bias level will be slightly different at 3.0V operation. For devices to be operated at 3.0V in production, they can be trimmed at the factory specifically for this lower supply voltage operation, in which case the sensitivity and zero g bias level specifications on this page will be met. Please contact the factory for specially trimmed devices for low supply voltage operation.

⁵ Output settled to within ±17mg.

ABSOLUTE MAXIMUM RATINGS*

Supply Voltage (V_{DD} , V_{DA})-0.5 to +7.0V
 Storage Temperature-65°C to +150°C
 Acceleration50,000 g

*Stresses above those listed under Absolute Maximum Ratings may cause permanent damage to the device. This is a stress rating only; the functional operation of the device at these or any other conditions above those indicated in the operational sections of this specification is not implied. Exposure to absolute maximum rating conditions for extended periods may affect device reliability.

PACKAGE CHARACTERISTICS

Package	θ_{JA}	θ_{JC}	Device Weight
LCC-8	110°C/W	22°C/W	< 1 gram

PIN DESCRIPTION: LCC-8 PACKAGE

Pin	Name	Description	I/O
1	T _{OUT}	Temperature (Analog Voltage)	O
2	Gnd	Ground	I
3	V _{DA}	Analog Supply Voltage	I
4	A _{OUTX}	X-Axis Acceleration Signal	O
5/J	V _{DD}	Digital Supply Voltage	I
6/M	V _{ref}	2.5V Reference Output	O
7/L	Sck	Optional External Clock	I
8/K	A _{OUTY}	Y-Axis Acceleration Signal	O

ORDERING GUIDE

Model	Package Style
MXR2500MW	LCC8 RoHS compliant

*LCC parts are shipped in tape and reel packaging.

CAUTION

ESD (electrostatic discharge) sensitive device.

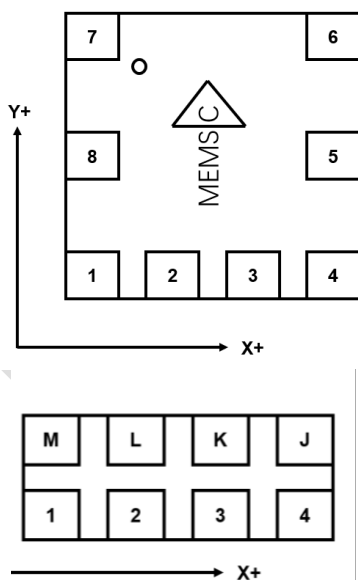


Figure 2: Sensing direction

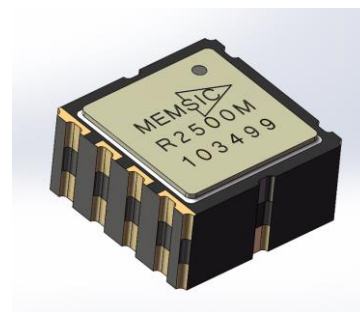


Figure 3: Illustration of a MXR2500MW device

Note: The MEMSIC logo's arrow indicates the +Y sensing direction of the device. The +X sensing direction is rotated counter-clock 90° away from the +Y direction following the left-hand rule. Small circle indicates pin seven (7).

THEORY OF OPERATION

The MEMSIC device is a complete dual-axis acceleration measurement system fabricated on a monolithic CMOS IC process. The device operation is based on heat transfer by natural convection and operates like other accelerometers having a proof mass except it is a gas in the MEMSIC sensor.

A single heat source, centered in the silicon chip is suspended across a cavity. Equally spaced aluminum/polysilicon thermopiles (groups of thermocouples) are located equidistantly on all four sides of the heat source (dual axis). Under zero acceleration, a temperature gradient is symmetrical about the heat source, so that the temperature is the same at all four thermopiles, causing them to output the same voltage.

Acceleration in any direction will disturb the temperature profile, due to free convection heat transfer, causing it to be asymmetrical. The temperature, and hence voltage output of the four thermopiles will then be different. The differential voltage at the thermopile outputs is directly proportional to the acceleration. There are two identical acceleration signal paths on the accelerometer, one to measure acceleration in the x-axis and one to measure acceleration in the y-axis. Please visit the MEMSIC website at www.memsic.com for a picture/graphic description of the free convection heat transfer principle.

PIN DESCRIPTIONS

T_{OUT} – This pin is the buffered output of the temperature sensor. The analog voltage at T_{OUT} is an indication of the die temperature. This voltage is useful as a differential measurement of temperature from ambient and not as an absolute measurement of temperature. After correlating the voltage at T_{OUT} to 25°C ambient, the change in this voltage due to changes in the ambient temperature can be used to compensate for the change over temperature of the accelerometer offset and sensitivity. Please refer to the

section on Compensation for the Change in Sensitivity Over Temperature for more information.

Gnd – This is the ground pin for the accelerometer.

VDD – This is the supply input for the digital circuits and the sensor heater in the accelerometer. The DC voltage should be between 3.0 volts and 5.25 volts. Refer to the section on PCB layout and fabrication suggestions for guidance on external parts and connections recommended.

VDA – This is the power supply input for the analog amplifiers in the accelerometer. Refer to the section on PCB layout and fabrication suggestions for guidance on external parts and connections recommended.

AOUTX – This pin is the output of the x-axis acceleration sensor. The user should ensure the load impedance is sufficiently high as to not source/sink >100µA. While the sensitivity of this axis has been programmed at the factory to be the same as the sensitivity for the y-axis, the accelerometer can be programmed for non-equal sensitivities on the x- and y-axes. Contact the factory for additional information on this feature.

AOUTY – This pin is the output of the y-axis acceleration sensor. The user should ensure the load impedance is sufficiently high as to not source/sink >100µA. While the sensitivity of this axis has been programmed at the factory to be the same as the sensitivity for the x-axis.

Sk – The standard product is delivered with an internal clock option (800kHz). **This pin should be grounded when operating with the internal clock.**

Vref – This pin is the output of a reference voltage. It is set at 2.50V typical and has 100µA of drive capability.

RESOLUTION

The accelerometer resolution is limited by noise. The output noise will vary with the measurement bandwidth. With the reduction of the bandwidth, by applying an external low pass filter, the output noise drops. Reduction of bandwidth will improve the signal to noise ratio and the resolution. The output noise scales directly with the square root of the measurement bandwidth. The maximum amplitude of the noise, its peak- to- peak value, approximately defines the worst case resolution of the measurement. With a simple RC low pass filter, the rms noise is calculated as follows:

$$\text{Noise (mg rms)} = \text{Noise(mg/}\sqrt{\text{Hz}}) * \sqrt{(\text{Bandwidth(Hz)} * 1.6)}$$

The peak-to-peak noise is approximately equal to 6.6 times the rms value (for an average uncertainty of 0.1%).

EXTERNAL FILTERS

AC Coupling: For applications where only dynamic accelerations (vibration) are to be measured, it is

recommended to ac couple the accelerometer output as shown in Figure 4. The advantage of ac coupling is that variations from part to part of zero g offset and zero g offset versus temperature can be eliminated. Figure 4 is a HPF (high pass filter) with a -3dB breakpoint given by the equation: $f = 1/2\pi RC$. In many applications it may be desirable to have the HPF -3dB point at a very low frequency in order to detect very low frequency accelerations. Sometimes the implementation of this HPF may result in unreasonably large capacitors, and the designer must turn to digital implementations of HPFs where very low frequency -3dB breakpoints can be achieved.

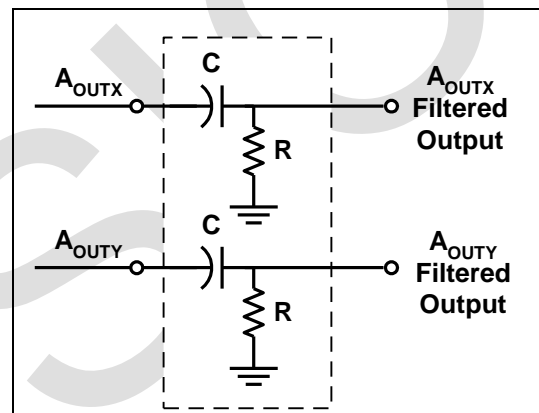


Figure 4: High Pass Filter

Low Pass Filter: An external low pass filter is useful in low frequency applications such as tilt or inclination. The low pass filter limits the noise floor and improves the resolution of the accelerometer. The low pass filter shown in Figure 5 has a -3dB breakpoint given by the equation:

$f = 1/2\pi RC$. For the 200 Hz ratiometric output device filter, C=0.1µF and R=8kΩ, ±5%, 1/8W.

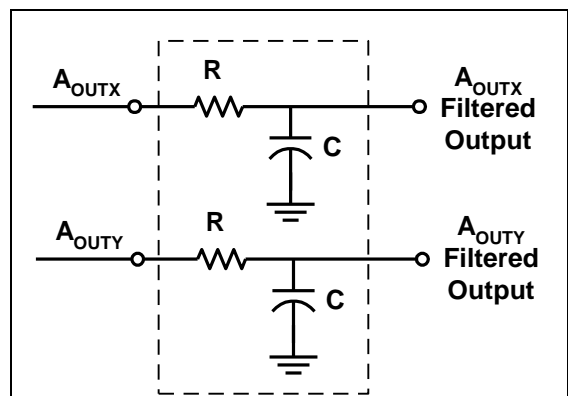


Figure 5: Low Pass Filter

TEMPERATURE OUTPUT NOISE REDUCTION

It is recommended that a simple RC low pass filter is used when measuring the temperature output. Temperature output is typically a very slow changing signal, so a very low frequency filter eliminates erroneous readings that may result from the presence of higher frequency noise. A simple filter is shown in [错误!未找到引用源。](#)

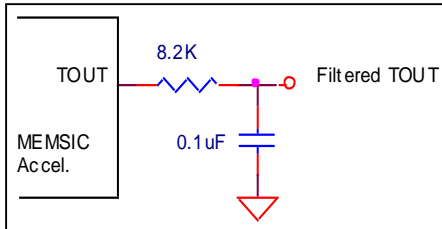


Figure 7: Temperature Output Noise Reduction

POWER SUPPLY NOISE REJECTION

Two capacitors and a resistor are recommended for best rejection of power supply noise (reference [错误!未找到引用源。](#) below). The capacitors should be located as close as possible to the device supply pins (V_{DA} , V_{DD}). The capacitor lead length should be as short as possible, and surface mount capacitors are preferred. For typical applications, capacitors C1 and C2 can be ceramic 0.1 μF , and the resistor R can be 10 Ω .

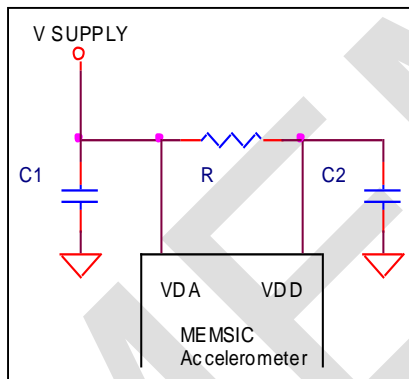


Figure 8: Power Supply Noise Rejection

PCB LAYOUT AND FABRICATION SUGGESTIONS

1. The Sck pin should be grounded to minimize noise.
2. Liberal use of ceramic bypass capacitors is recommended.
3. Robust low inductance ground wiring should be used.
4. Care should be taken to ensure there is “thermal symmetry” on the PCB immediately surrounding the MEMSIC device and that there is no significant heat source nearby.

SOLDER REFLOW PROFILE

1. Reflow is limited by 2 times. Second reflow should be applied after device has cooled down to room temperature (25°C).
2. Recommended reflow profile for Pb free process is shown in below figure. The time duration of peak temperature (260°C) should be limited to 10 seconds.

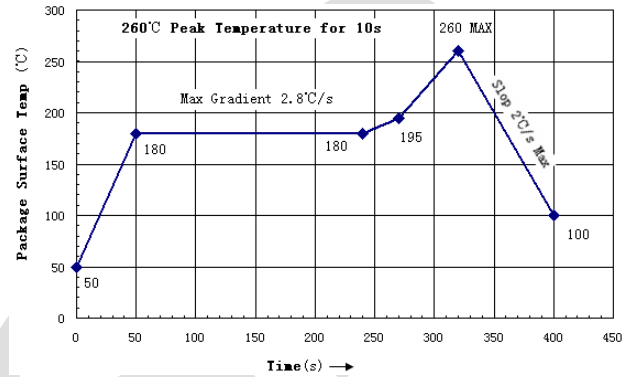


Figure 9: Recommended Reflow Solder Profile

STENCIL DESIGN

1. It is recommended to use a stencil of thickness between 0.12mm~0.18mm. Stencil thickness should consider all devices on the PCB. It is suggested to select relatively thicker stencil to ensure adequate solder volume.
2. Stencil opening ratio is suggested between 0.8~1.4. 1:1 is a regular opening ratio. To increase the solder volume, a larger opening ratio is recommended.

END of LIFE DISPOSAL

End-of-life products should be disposed/ recycled properly in accordance to national and local regulation.

LCC-8 PACKAGE DRAWING

