

Electrically Programmable Active Filter Advance Data Sheet

MSEPAF

Description

The MSEPAF integrated circuit provides a continuous time 4th order filter whose corner or center frequencies can be programmed using a 10 bit word serially loaded and stored in on-chip EEPROM. The MSEPAF can be set as a lowpass or a bandpass to 18 MHz from 500 kHz with no external components. The device operates from 4.5V up to 5.5 VDC. The accuracy of the MSEPAF is better than 1%. Temperature stability is better than discrete solutions using resistors, capacitors and op amps.

The EEPROM technology for setting the frequency requires 20V, which can be generated by the system, and the device programmed in the field, if desired.

The MSEPAF is available in a 16 pin bench or system programmable SOIC.

Features

- Up to 18 MHz Lowpass or Bandpass filtering
- Continuous time filter: NO sample clock
- Low Noise
- 16-pin bench programmable

Applications

- Instrumentation filtering
- Anti-alias filter for Data Acquisition
- Video Filtering

Absolute Maximum Ratings

Power Supply Voltage	+6 V
Storage Temperature Range	-60 to +150° C
Operating Temperature Range	-40 to +85° C

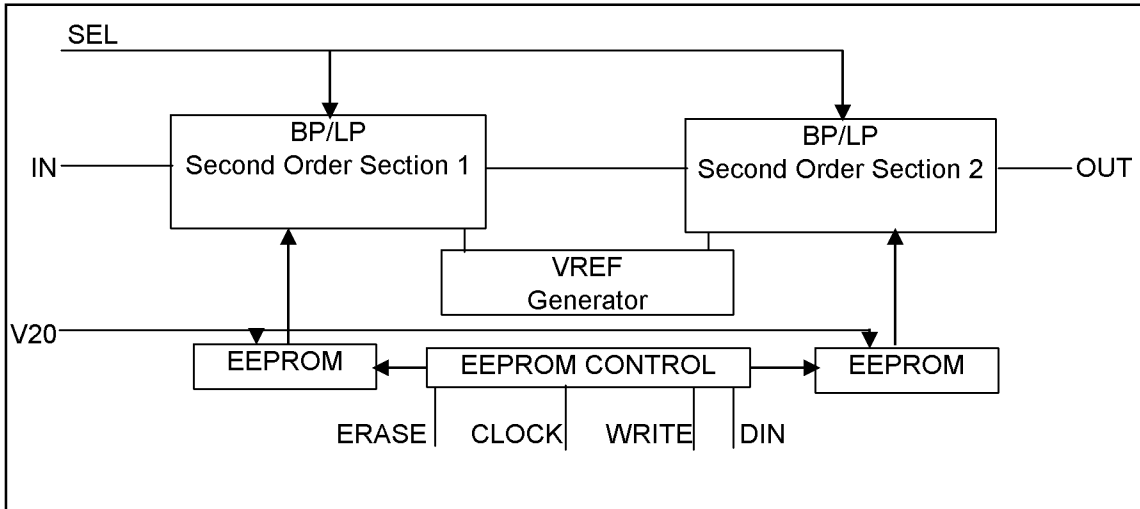


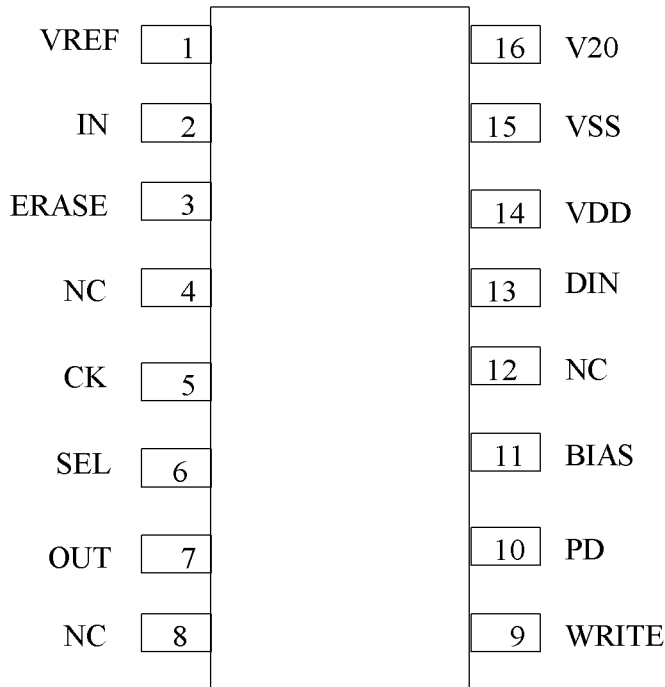
Figure 1 Simplified Block Diagram

Electrically Programmable Active Filter Advance Data Sheet

Pin Description

Pin	Description	Pin	Description
1	VREF Internally Generated Ground Reference; Nominally 2.5VDC	12	NC No Internal Connection
2	IN Filter Input	13	DIN Serial Data Input for Programming EEPROM and filter position
3	ERASE EEPROM Erase Control	14	VDD Positive Power Supply; Typically 5.0VDC
4	NC No Internal Connection	15	VSS Negative Power Supply; Typically 0VDC
5	CK Serial Data Clock	16	V20 EEPROM Programming voltage. When erasing or programming; voltage is set at 20 VDC. For filter operation, voltage is 5.0VDC
6	SEL Selects Lowpass or Bandpass; Lowpass is selected at 0V		
7	OUT Filter Output		
8	NC No Internal Connection		
9	WRITE Write Control		
10	PD Power Down Control		
11	BIAS Resistors from Bias Pin to VDD controls IDD and maximum frequency response.		

MSEPAF



Selectable Programmable Active LP/BP Filter Advance Data Sheet

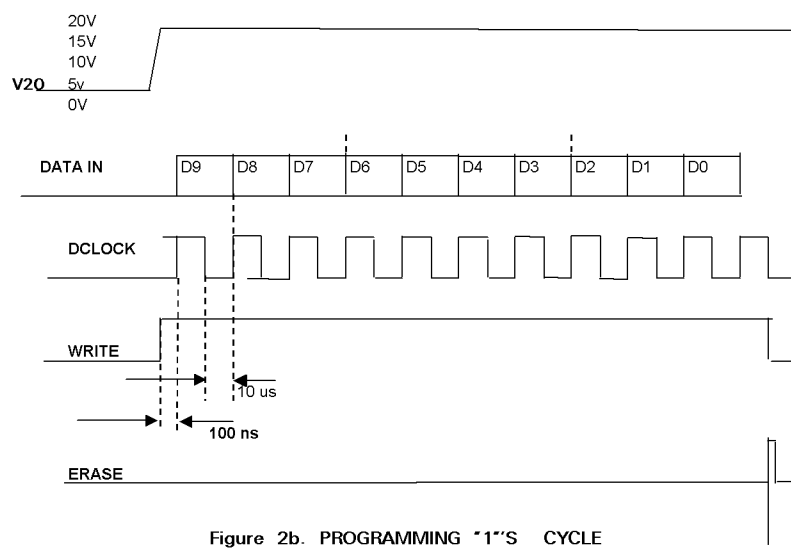
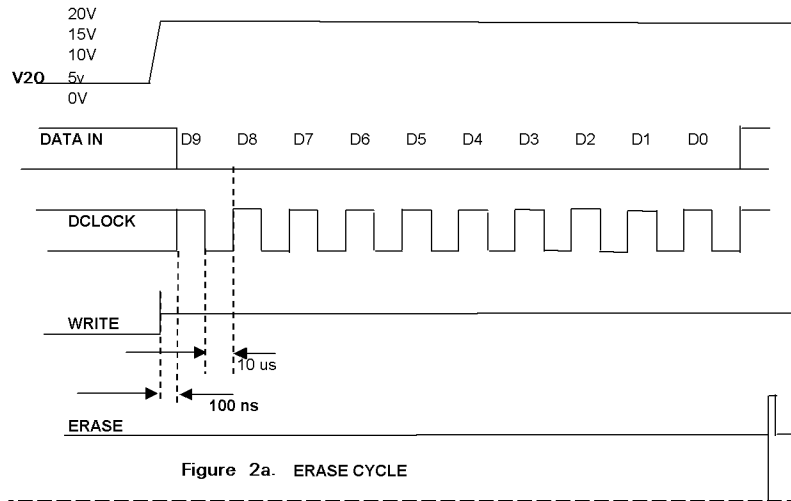


Figure 2 Programming Timing Diagram

Mixed Signal Integration Corporation reserves the right to change any product or specification without notice at any time. Mixed Signal Integration products are not designed or authorized for use in life support systems. Mixed Signal Integration assumes no responsibility for errors in this document.

STANDARD PRODUCTS

MSEPAF

MSGEQ5A	Five Band Graphic Equalizer
MSGEQ7	Seven Band Graphic Equalizer
MSHFS1-6	Selectable High Frequency LP/BP Filter
MSFS1-6	Selectable Lowpass/Bandpass Filter
MSCAHF	Selectable High Frequency Active Lowpass/Bandpass Filter
MSU1F1-4, MSU2F1	Resistor Programmable Universal Active Filter
MSU1HF1-4, MSU2HF1	High Frequency Resistor Programmable Universal Active Filter
MSELP	Switched Capacitor Elliptic Lowpass Filter with Op Amps
MSNBLP	Switched Capacitor Butterworth Lowpass Filter
MSLE/B/C5L/M	Switched Capacitor General Purpose Lowpass Filter
MS2LFS	Dual Selectable Low Voltage Lowpass/Bandpass Filter
MSHN1-6	Selectable High Pass/Notch Filter
MSRAAF	Resistor Programmable Active Audio Filter
MSRAHF	Resistor Programmable Active High Frequency Filter
MS2CAP	Two Channel Audio Processor
MS6CAP	Six Channel Audio Processor

Mixed Signal Integration
2157F O'Toole Avenue
San Jose, California 95131-1332
Phone: (408)-434-6305
Fax: (408)-434-6417

In Arizona, Utah, Colorado, Montana, Wyoming, Idaho, and southern Nevada contact:

Nelco Electronix
6970 S. Holly Circle
Englewood, CO 80112
Telephone: 720-493-9630
Facsimile: 720-493-9631

In Indiana, Kentucky, Ohio, Michigan and western Pennsylvania contact:

CCR Electronics, Inc.
7702 E. 87th Street, Suite 111
Indianapolis, Indiana 46256
Telephone: (317) 577-1717

In Mississippi, Alabama, Georgia, Tennessee, South Carolina and North Carolina contact:

Adeptronics, Inc.
9694 Madison Boulevard Suite A-14
Madison, Alabama 35758
Telephone: 256-772-1922

In Hong Kong and the People's Republic of China contact:

Alphatron
2L, Cooke Street/F
G/F, Hung Hom
Kowloon Bay, Hong Kong
Telephone: 852-2303-1290
Facsimile: 852-2900-3616

In Korea contact:

H. B. Corp.
#1409, Seocho World Officetel,
1355-3, Seocho-Dong, Seocho-Ku,
Seoul, Korea 137-070
Telephone: (02)3472-3450
Facsimile: (02)3472-3458

In Singapore, Indonesia and Malaysia contact:

EXER Technologies (S) PTE LTD
45 Kaki Bukit Industrial Terrace
Singapore 416125
Telephone: (65) 747-9669
Facsimile: (65) 749-9669

In Israel contact:

Phoenix Technologies Ltd.
3 Gavish St.
Kfar-Saba, 44424
Israel
Telephone: 09-764-4800
Facsimile: 09-764-4801

In the United Kingdom contact:

Electronics 2000 Ltd.
Grafton House
Grafton Street
High Wycombe, Bucks HP12 3AJ
United Kingdom
Telephone: 44-7074-432000
Facsimile: 44-7074-432329

In Taiwan contact:

Maxtek Electronics Co., Ltd
5F, No.13-20 Sec. 6, Min-Chian E. Road, Nei Hu
Taipei, 114 Taiwan, R.O.C.

Facsimile: 886-2-2 794-6060
Facsimile: 886-2-2 879-6922

Catch our web site at "<http://www.mix-sig.com>"

Send us e-mail at "info@mix-sig.com"