
Outdoor Flexible Whip Antenna

- **Flexible whip antenna**
- **Multi frequency band**
- **Bracket mount**
- **3 dB Gain**

ADA-0069 is a bracket mount outdoor flexible whip antenna. It's available for GSM band and for 434, 444, 868 MHz band. Other frequencies are available on request.

ADA-0069 is complete with bracket and 3 m cable.



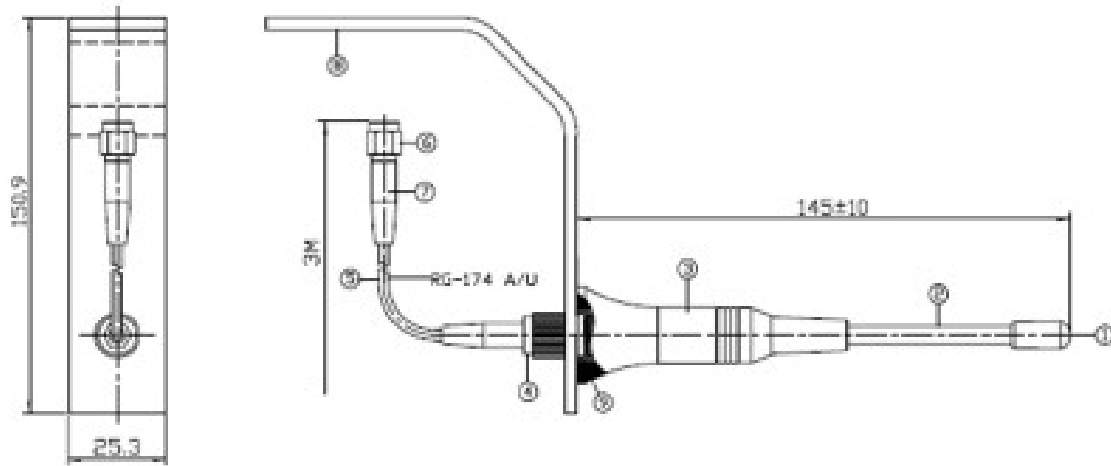
Specification ADA-0069-444

Category	Overall performance	
Frequency	444 MHz	
Impedance	50 Ω	
Gain	3 dB	
vswr	Antenna itself 1.048	Ground plane 1.159

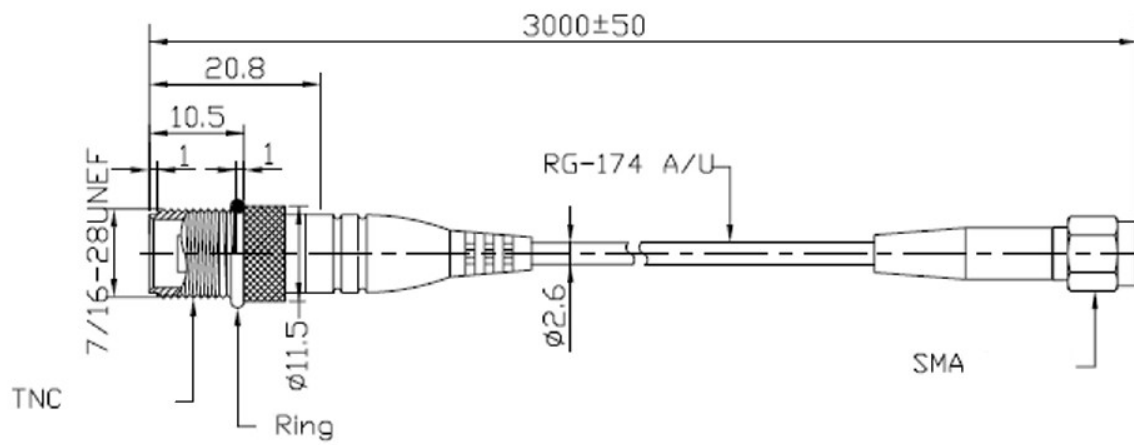
Specification ADA-0069-900/1800

Category	Overall performance	
Frequency	GSM 900 / 1800 MHz	
Impedance	50 Ω	
Gain	3 dB	
vswr	Antenna itself	Ground plane
880 MHz	1.837	1.86
960 MHz	1.869	1.812
1710 MHz	1.896	1.905
1880 MHz	2.21	-2.3

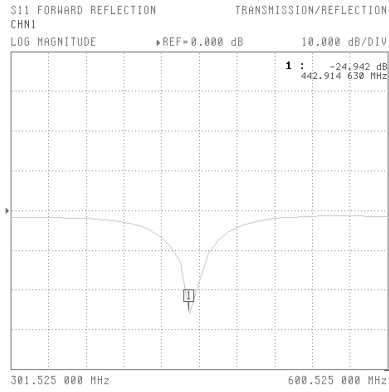
ADA-0069-900/1800



Cable assay

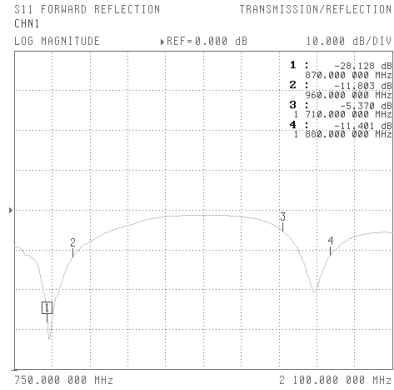


ADA-0069-444 Log



DISK FILE OPTIONS
DESTINATION
HARD DISK
FLOPPY DISK
FORMAT
TEXT
SnP OPTIONS
TABULAR DATA
BITMAP
HPGL
RETURN
USE (PRINT)
TO CAPTURE DATA

ADA-0069-900/1800 Log

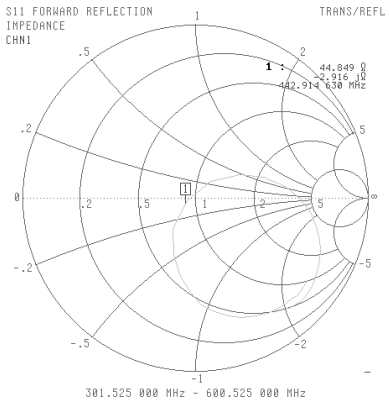


CH 1 - S11
REFERENCE PLANE
0.0000 mm

1	870.000000 MHz	-28.128 dB
2	960.000000 MHz	-11.803 dB
3	1.710000000 GHz	-5.378 dB
4	1.880000000 GHz	-11.401 dB

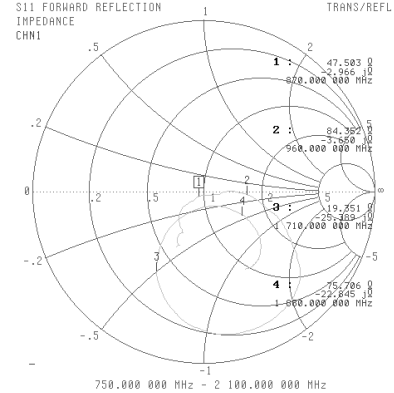
MARKER TO PEAK
MORE

ADA-0069-444 SMITH



GRAPH TYPE
LOG MAGNITUDE
PHASE
LOG MAGNITUDE
AND PHASE
SMITH CHART
(IMPEDANCE)
SWR
GROUP DELAY
MORE
RETURN

ADA-0069-900/1800 SMITH

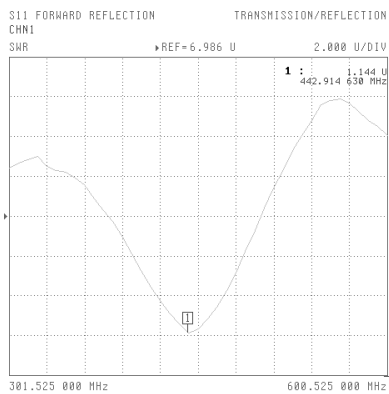


CH 1 - S11
REFERENCE PLANE
0.0000 mm

1	870.000000 MHz	47.583 Ohms
2	960.000000 MHz	84.352 Ohms
3	1.710000000 GHz	19.351 Ohms
4	1.880000000 GHz	75.786 Ohms

MARKER TO PEAK
MORE

ADA-0069-444 VSWR

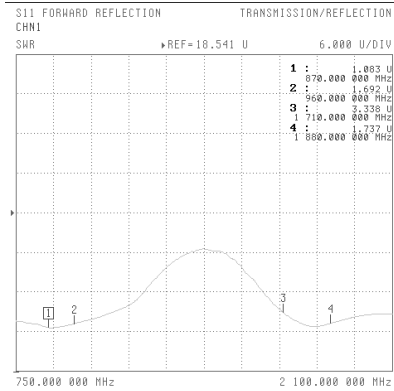


CH 1 - S11
REFERENCE PLANE
0.0000 mm

1	442.914630 MHz	1.144 U
2	OFF	
3	OFF	
4	OFF	

MARKER TO PEAK
MORE

ADA-0069-900/1800 VSWR



CH 1 - S11
REFERENCE PLANE
0.0000 mm

1	870.000000 MHz	1.883 U
2	960.000000 MHz	1.692 U
3	1.710000000 GHz	3.338 U
4	1.880000000 GHz	1.737 U

MARKER TO PEAK
MORE

Ordering codes

TYPE	Description	Comment
ADA-0069-444	Flexible whip antenna	444 MHz
ADA-0069-900/1800	Flexible whip antenna	GSM 900/1800 MHz

For the latest updates, visit our Web site: www.adactus.se

Disclaimer

Information furnished is believed to be accurate and reliable. However, Adactus assumes no responsibility for the consequences of use of such information nor for any infringement of patents or other rights of third parties which may result from its use. Adactus reserves the right to make changes without further notice to any product herein to improve reliability, function or design. Adactus does not assume any liability arising out of the application or use of any product described herein. This publication supersedes and replaces all information previously supplied. Adactus products are not authorized as critical components in life support devices or systems.