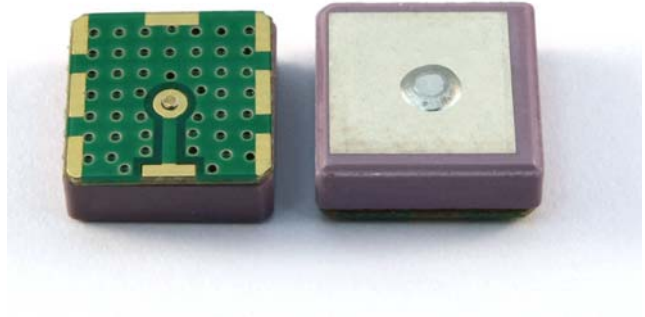


SMT GPS Passive Patch Antenna

- **SMT Mount**
- **1575MHz (standard)**
- **High Performance**
- **25x25x4 mm**
- **Suitable for embedded applications**

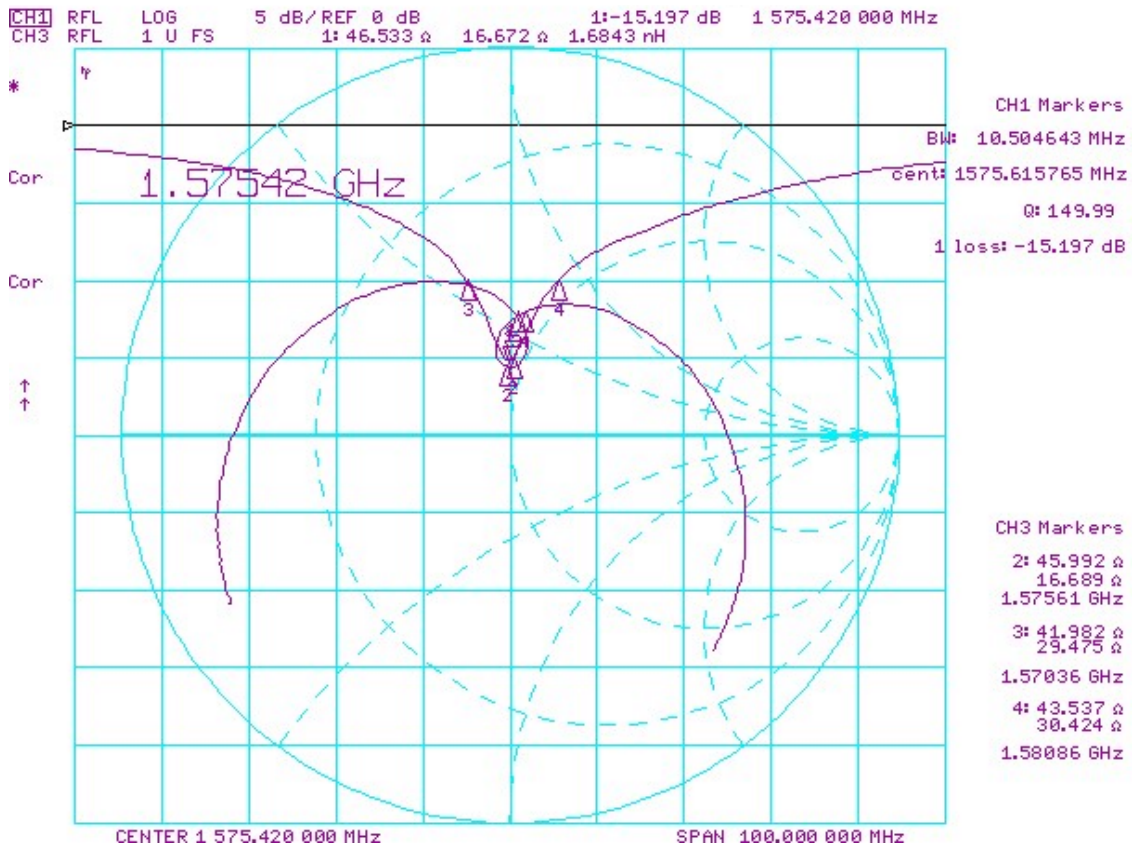


ADA-SMT25254 is a high performance, high quality passive GPS antenna module for SMT mount with standard reflow soldering.

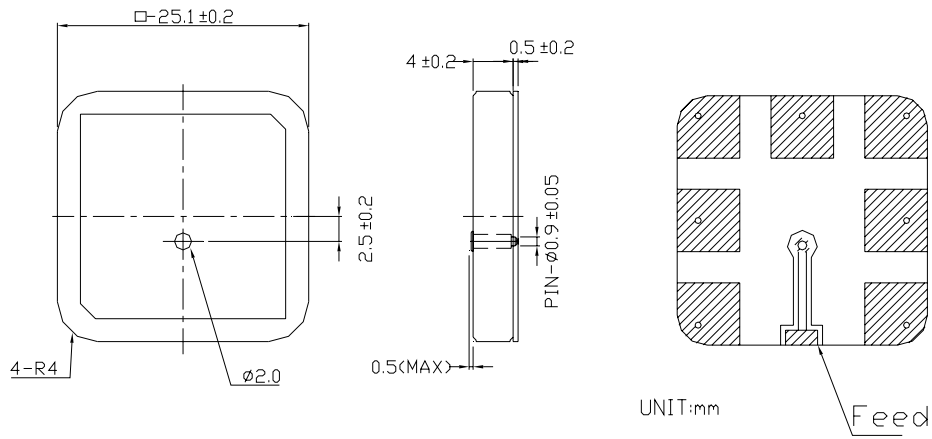
It's especially designed for small integrated devices and low cost production creating high yield.

Specification

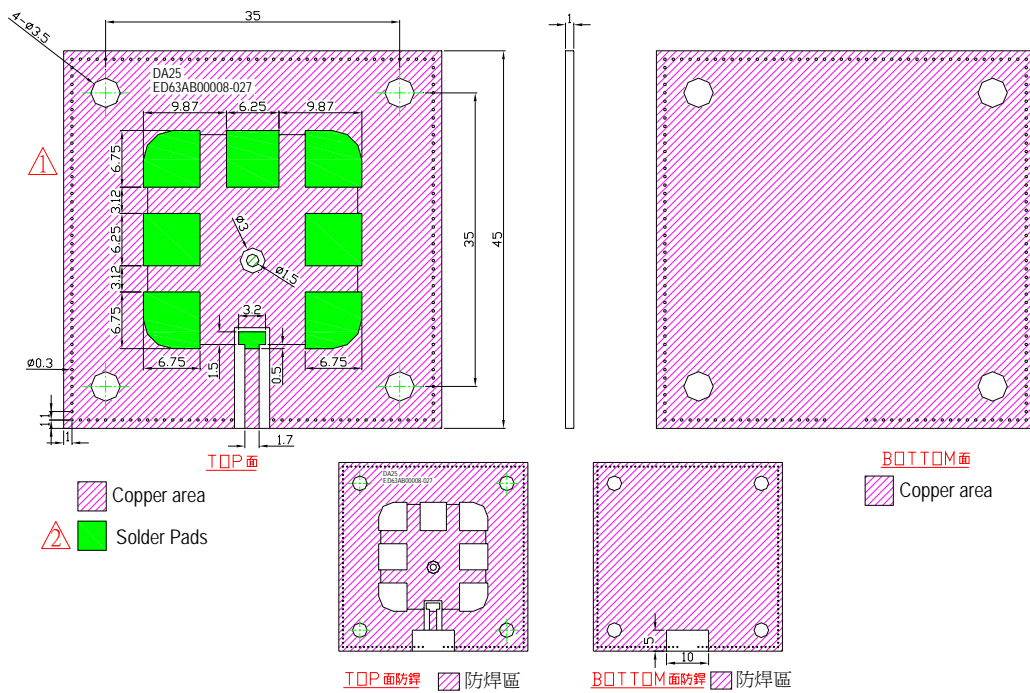
Category	GPS
Frequency	1575.42 ± 1.023 MHz
Polarization	R.H.C.P.
Bandwidth	8 MHz min Return Loss □-10dB
VSWR	1.5 Max
Gain at Zenith	Typ. 2.0 dB
Axel Ratio	3 dB Max
Impedance	50 Ω
Freq. Temp. Coeff.	0 ± 20ppm / □
Operating temperature	-40 — +105 ° C
GPS part size	25 x 25 x 4 mm
Weight	5 ± 0.5 grams
Mounting	SMT
ROHS	Compliant with EU



Dimensions



Antenna Foot Print



Ordering codes

TYPE	Description	Comment
ADA-SMT25254	GPS SMT	GPS antenna module

For the latest updates, visit our Web site: www.adactus.se

Disclaimer

Information furnished is believed to be accurate and reliable. However, Adactus assumes no responsibility for the consequences of use of such information nor for any infringement of patents or other rights of third parties which may result from its use. Adactus reserves the right to make changes without further notice to any product herein to improve reliability, function or design. Adactus does not assume any liability arising out of the application or use of any product described herein. This publication supersedes and replaces all information previously supplied. Adactus products are not authorized as critical components in life support devices or systems.