

---

### 40 dB High Gain GPS Antenna

---

- 40 dB Gain
- ESD Protection
- IPx7 class

#### Features:

- Low Noise Figure
- Ultra-high Sensitivity
- Excellent Temperature Stability

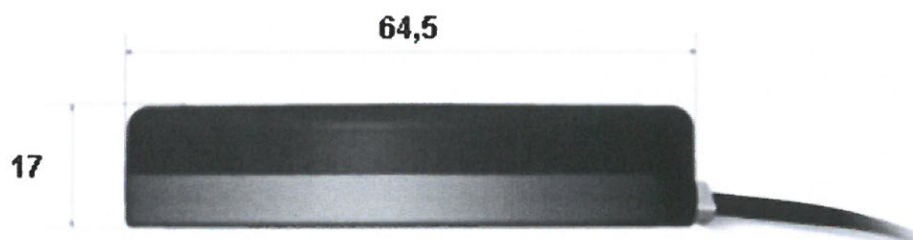
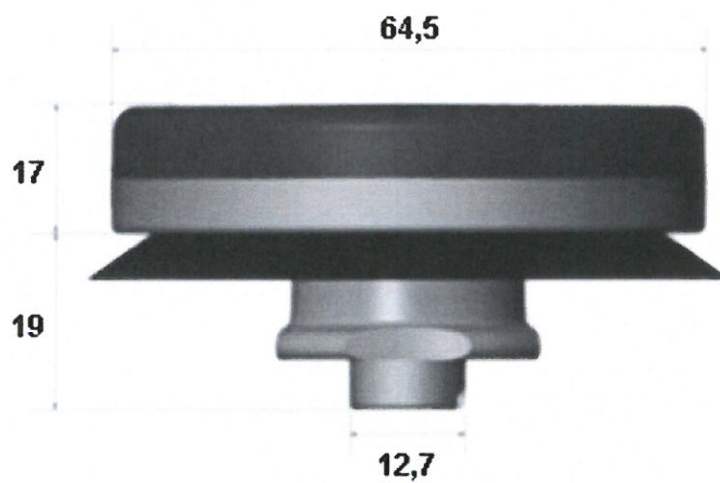


When the ADA-1570H is connected to a GPS receiver, it can provide excellent signal amplification and out of band filtering & rejection for that receiver

## Specification

Category	GPS
Frequency	1575.42 MHz
Polarization	R.H.C.P.
Power Gain	40 +/- 2 dB (Cable loss)
Noise figure	Typ. 1.5
Attenuation	Min. 20 dB @ $F_o \pm 50$ MHz
Bandwidth	10 MHz
Output Impedance	50 $\Omega$
VSWR	< 2.0
Supply Voltage / Current	3.0 – 5.5 VDC / 10 mA @ 3V DC
RF Cable	Standard 3 m RG174/U with standard connector
Size	64,5 x 14 mm (D x H)
Mounting	Centre bolt or magnetic
Operating temperature	-40 — +85 ° C
Storage temperature	-45 — +100 ° C

## Mechanical Dimensions



## Ordering codes

ADA-1570H-X

X = C for Centre bolt mount  
S for Magnetic mount

The antennas are delivered with different antenna cable lengths and different connectors. Contact Adactus or our distributor for a quote for any particular specification.

For the latest updates, visit our Web site: [www.adactus.se](http://www.adactus.se)

### **Disclaimer**

Information furnished is believed to be accurate and reliable. However, Adactus assumes no responsibility for the consequences of use of such information nor for any infringement of patents or other rights of third parties which may result from its use. Adactus reserves the right to make changes without further notice to any product herein to improve reliability, function or design. Adactus does not assume any liability arising out of the application or use of any product described herein.

This publication supersedes and replaces all information previously supplied. Adactus products are not authorized as critical components in life support devices or systems.