
COMPACT GPS/GLONASS/GALILEO ANTENNA

- **ESD Circuit Protection**
- **27dB Gain**
- **2.5 – 5.5 V**
- **Low Noise Figure**
- **Magnetic/Screw mount**



ADA-28 is a State-of-the-Art Low Noise Amplifier, High Gain, small size sensitive GPS/GLONASS/GALILEO antenna.

With coverage almost to the horizon, it performs excellently in foliage or urban canyon environment even in presence of electromagnetic interference!

Features a diminutive & rugged construction with polycarbonate radome top over a die-cast shell with double magnets all sealed with a rubber gasket makes it ideal for applications like AVL, Vehicle Navigation, Avionics and Military.

Specification

Category	Patch Antenna Element
Frequency	1575.42 MHz \pm 10 MHz & 1602 MHz \pm 8 MHz
Polarization	R.H.C.P.
Gain & Zenith	1.5 dBic typical mounted on 70 x70 mm ground plane
Axial Ratio	3 dB max. mounted on a 70 x 70 mm ground plane

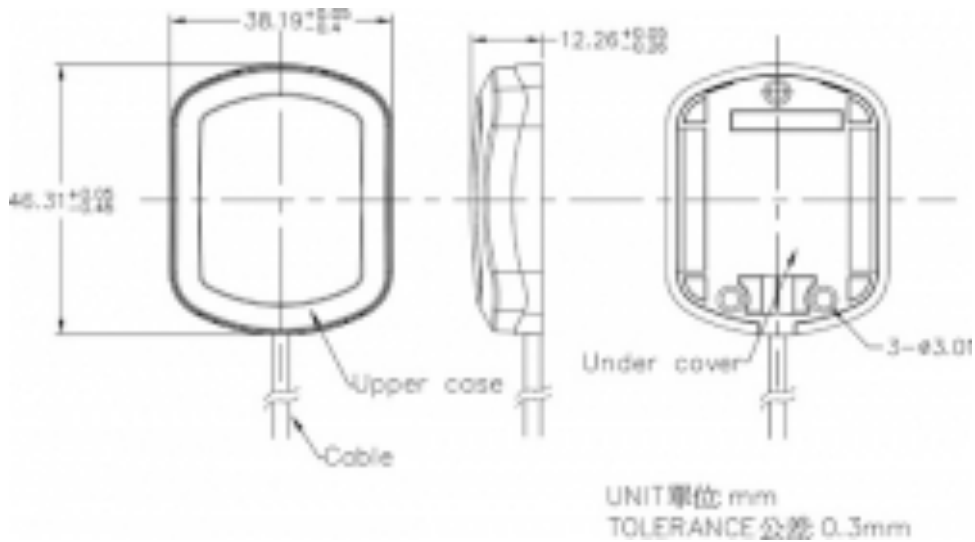
Category	Low Noise Amplifier
Power Gain	27dB @ 3V
Bandwidth	43 MHz min. @S11<-10 dB
Noise figure	1.5 typ.
Supply Voltage	2.5 – 5.5 VDC
Current consumption	10,6 mA @ 3 Volt, 21 mA @ 5 Volt,
V.S.W.R.	2.0 max
Output Impedance	50 Ω

Category	Cable and Connector
RF Cable	Standard 5 m RG174/U (other cable length available)
Connector	Any standard RF connector
Pulling strength	6 Kgs/5sec with molded connector

Category	Overall Perform
Center Frequency	1575.42 MHz \pm 10 MHz & 1602 MHz \pm 8 MHz
Gain	27 dB typ. (mounted on a 70 x 70 mm ground plane)
Output Impedance	50 Ohm
Output VSWR	2.0 max.

Category	Environmental Condition
Operating temperature	-40 — +85 ° C
Storage temperature	-40 — +100 ° C
Relative humidity	95% non-condensing
Water resistance	100 % water proof

Category	Physical construction
Material	Polycarbonate radome at top, Die-cast shell at bottom
Dimension	46mm (L) x 38mm (W) x 12.5mm (H)
Weight	50 g without cable and connector
Color Radome	Black
Standard mounting	Magnet mount with two magnets & screw mount



Ordering codes

TYPE	Description	Comment
ADA-28	GPS/GLONASS/GALILEO Antenna	Magnetic & Screw

For the latest updates, visit our Web site: www.adactus.se

Disclaimer

Information furnished is believed to be accurate and reliable. However, Adactus assumes no responsibility for the consequences of use of such information nor for any infringement of patents or other rights of third parties which may result from its use. Adactus reserves the right to make changes without further notice to any product herein to improve reliability, function or design. Adactus does not assume any liability arising out of the application or use of any product described herein. This publication supersedes and replaces all information previously supplied. Adactus products are not authorized as critical components in life support devices or systems.