
Telemetry Puck Antenna

- **Low Profile**
- **Multi frequency band**
- **Permanet mounting**

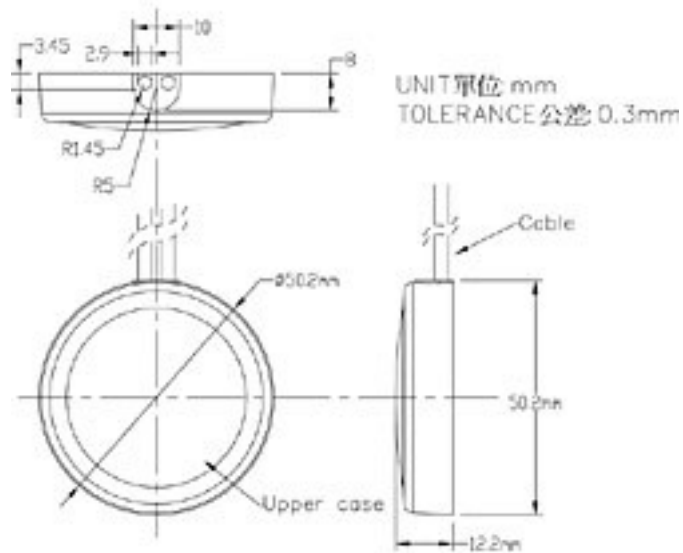
ADA-1730 is specially designed for telemetry applications utilizing GPS and Quad Band GSM frequencies (850/900/1800/1900MHz). The high sensitivity of ADA-1730 will enhance the performance of your telemetry devices.



Specification ADA-1730

Category	Overall performance	
Frequency	GSM 850 / 900 / 1800 / 1900MHz and 1575.42MHz	
Impedance	50 Ω	
	GSM Band	GPS Band
Gain	1 dB	27 dB
V.S.W.R	<2.0:1	<1.8:1
Noise	2.0 Max	2.0 Max
Band Width	136 MHZ L / 280 MHZ H	2 MHz
Polarization	Linear	RHCP
Power Supply	-	3.0-5.5 VDC
Power Consumption	-	10 – 12 mA
Power handling	10 W	-
Dimensions	50.2mm(Dia.) x 12.2mm(H)	
Operating Temp.	-40°C to +80°C	
Storage Temp.	-45°C to +100°C	

Mechanical Drawing



Ordering codes

TYPE	Description	Comment
ADA-1730	Puck Antenna	Telemetry

For the latest updates, visit our Web site: www.adactus.se

Disclaimer

Information furnished is believed to be accurate and reliable. However, Adactus assumes no responsibility for the consequences of use of such information nor for any infringement of patents or other rights of third parties which may result from its use. Adactus reserves the right to make changes without further notice to any product herein to improve reliability, function or design. Adactus does not assume any liability arising out of the application or use of any product described herein.

This publication supersedes and replaces all information previously supplied.

Adactus products are not authorized as critical components in life support devices or systems.