

## MPAMB Series Portable Omnidirectional Antennas

The MPAMB portable antennas are designed for indoor wireless applications requiring multiple band coverage. Each rugged antenna features a compact “blade” style design and 0-90° articulating knuckle.

### Features

- Multiband performance.
- Ground plane independent design provides added installation flexibility.
- Rugged polycarbonate housing provides added durability for use in demanding wireless environments.
- Articulating knuckle provides 0°-90° pivot and 180° swivel movement allowing vertical orientation of the antenna, regardless of the orientation or position of the wireless device.



### RF/Electrical Specifications

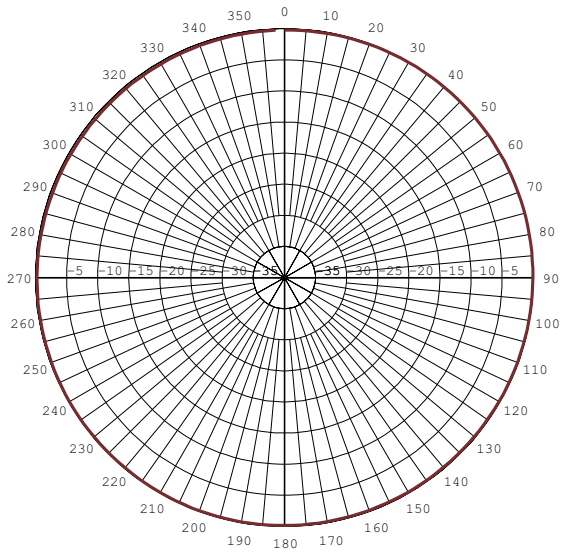
Model	Frequency Range	Gain	Polarization	Maximum Power	Nominal Impedance	VSWR
MPAMB700MSMA						
MPAMB700RPSMA	698-960 MHz / 1.71-2.70 GHz	2 dBi (average)	Vertical, linear	5 watts	50 ohms	< 2.5:1
MPAMB700MTNC						

### Mechanical Specifications

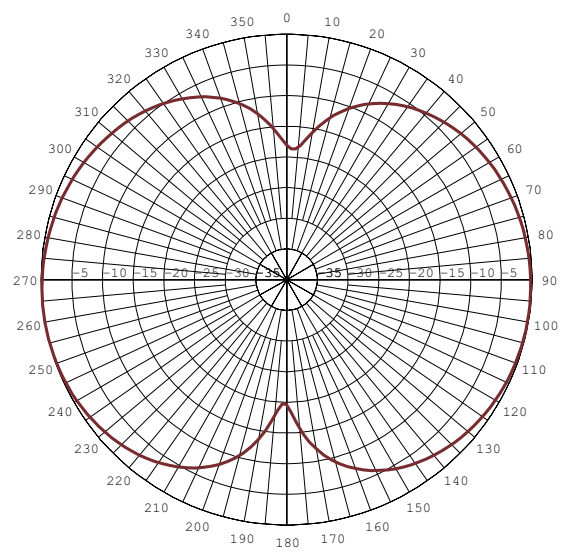
Model	Antenna Height	Temperature Range	Knuckle Movement	Color	Connector Type
MPAMB700MSMA					SMA Male
MPAMB700RPSMA	8.3 in (21.1 cm)	-40°F to +167°F (-40°C to +75°C)	180° swivel, 0°-90° knuckle	Black	Reverse Polarity SMA Male
MPAMB700MTNC					TNC Male



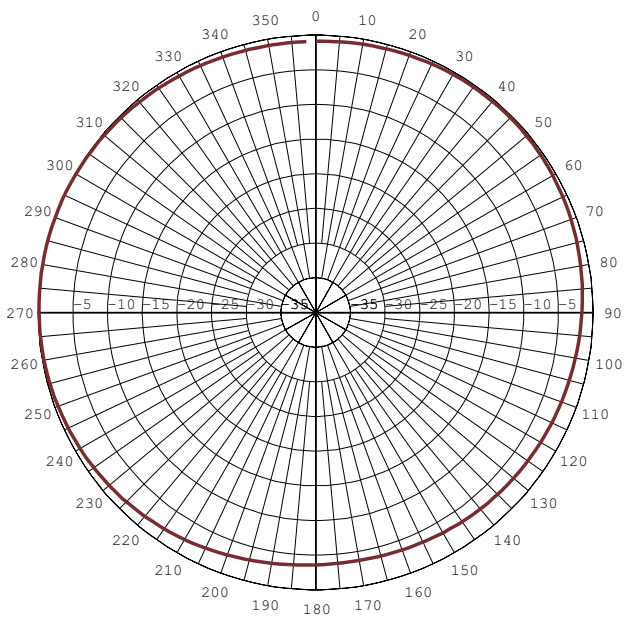
698 MHz Azimuth



698 MHz Elevation



2400 MHz Azimuth



2400 MHz Elevation

