

SHADOW RING

Suitable for all latitudes and surfaces in the tilted North-South plane

Compatible with all Kipp & Zonen CM series pyranometers, CG 4 pyrgeometer and CUV 3 UV radiometer

A correction table for the whole globe is provided

The ring's U-profile intercepts the circumsolar part of the sky far more constantly over a whole year than an I-profile

The U-profile provides a rigid construction

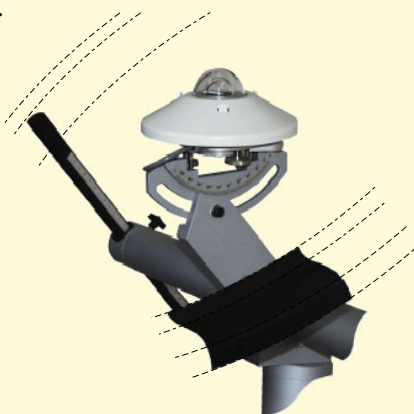


APPLICATIONS

To be used with Kipp & Zonen pyranometers, pyrgeometers and UV radiometers to shield the instrument from direct radiation.

The combination of a global measurement instrument and shadow ring CM 121B offers a simple solution to the problem of measuring diffuse radiation from the sky. The shadow from the ring covers the pyranometer dome completely. The ring will not need adjustment for several days.

Naturally the ring will also intercept a small part of the diffuse radiation from the sky. Correction is necessary to compensate for this and a table is provided.



A measuring instrument is not included, and must be ordered separately.

When it is desired to use the Shadow Ring with an instrument fitted with the CV 2 Ventilation Unit it is necessary to order the CM 121C version. This has a factory fitted adapter to correct for the extra height of the CV 2.

SPECIFICATIONS

Ring width / radius rate	0.185
View angle (as seen from instrument)	10.6 °
Weight, including typical instrument	6.5 kg

DIMENSIONS

