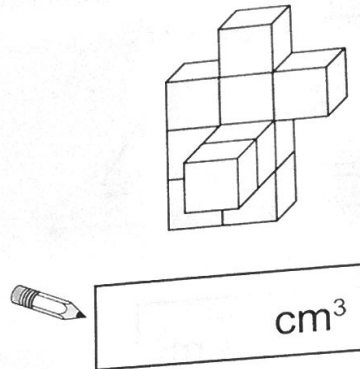
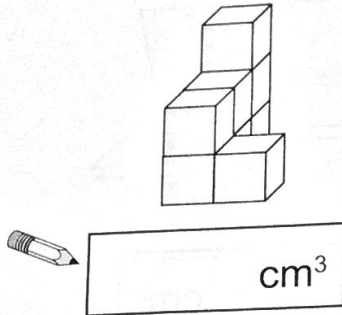


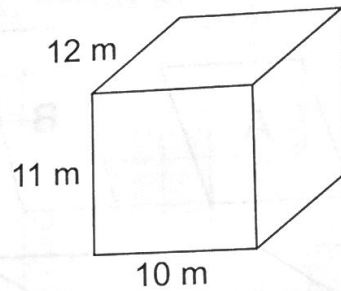
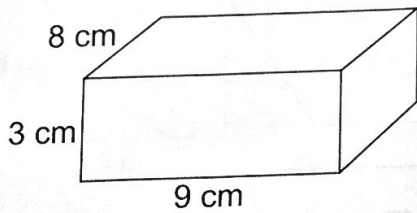
Volume

- 1 Each cube has sides of 1 cm. Find the volume of each shape.




2 marks

- 2 Find the volumes of these cuboids.



2 marks

- 3 Complete the table below by calculating the volume of each cuboid.



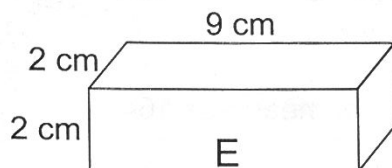
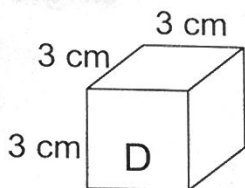
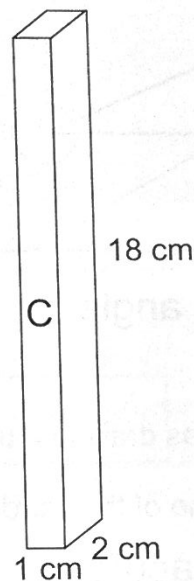
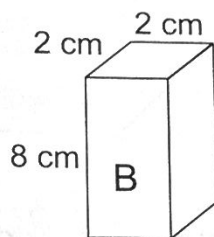
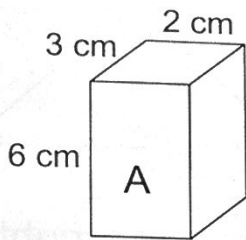
Length (cm)	Width (cm)	Height (cm)	Volume (cm ³)
7	4	2	
5	5	5	
6	2	9	

2 marks

Volume

4

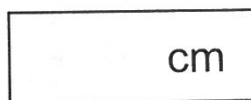
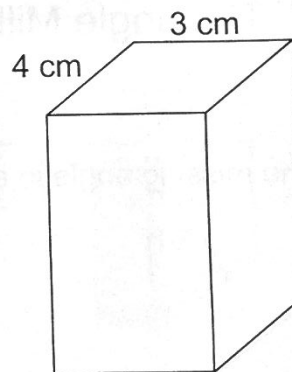
Circle the three cuboids which have the same volume.



2 marks

5

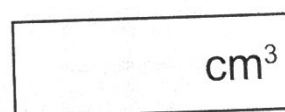
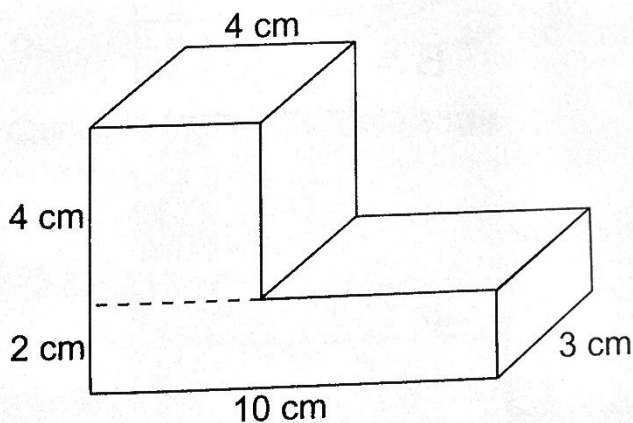
The volume of this cuboid is 120 cm^3 .
Find its height.



1 mark

6

The shape below is made up of two cuboids.
Work out the volume of the shape.



2 marks

"I can calculate the volumes
of cubes and cuboids."

