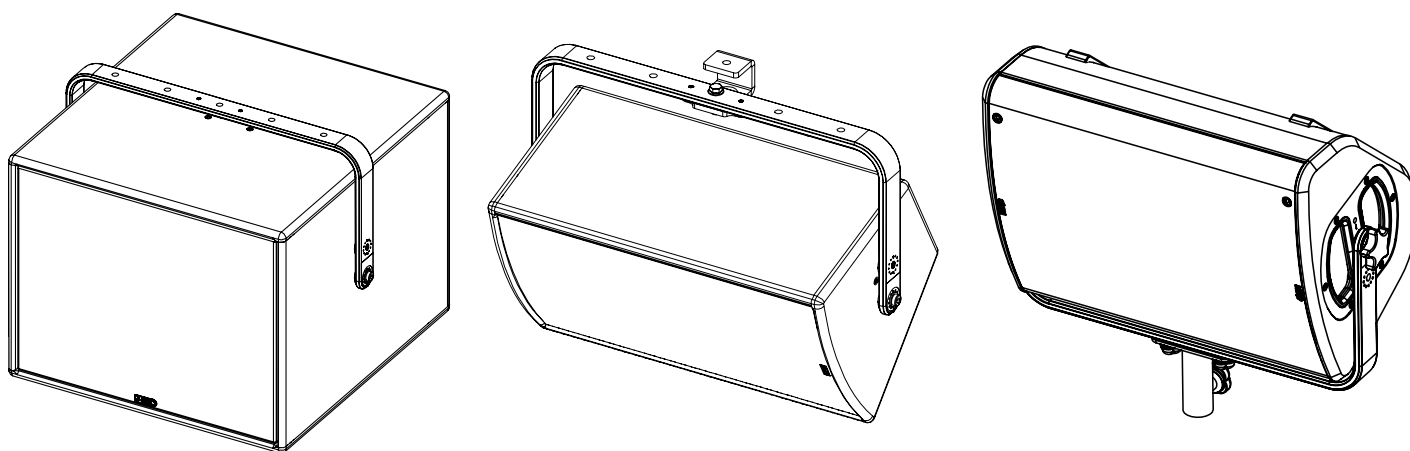


## Horizontal bracket 535mm

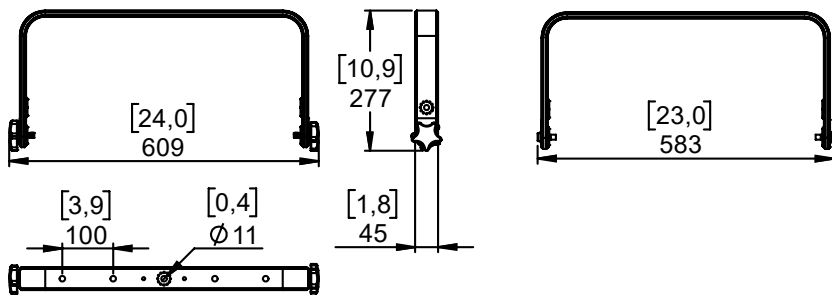


### Contents:

<p>X1</p>	<p>X2 KNOBM10-P3783</p>	<p>X2 VXTCHC-P4499 M10x30</p>	<p>X2 VRA10N</p>
-----------	-----------------------------	---------------------------------------	----------------------

Weight: 1.5 kg / 3.3 lb

**Dimensions:**

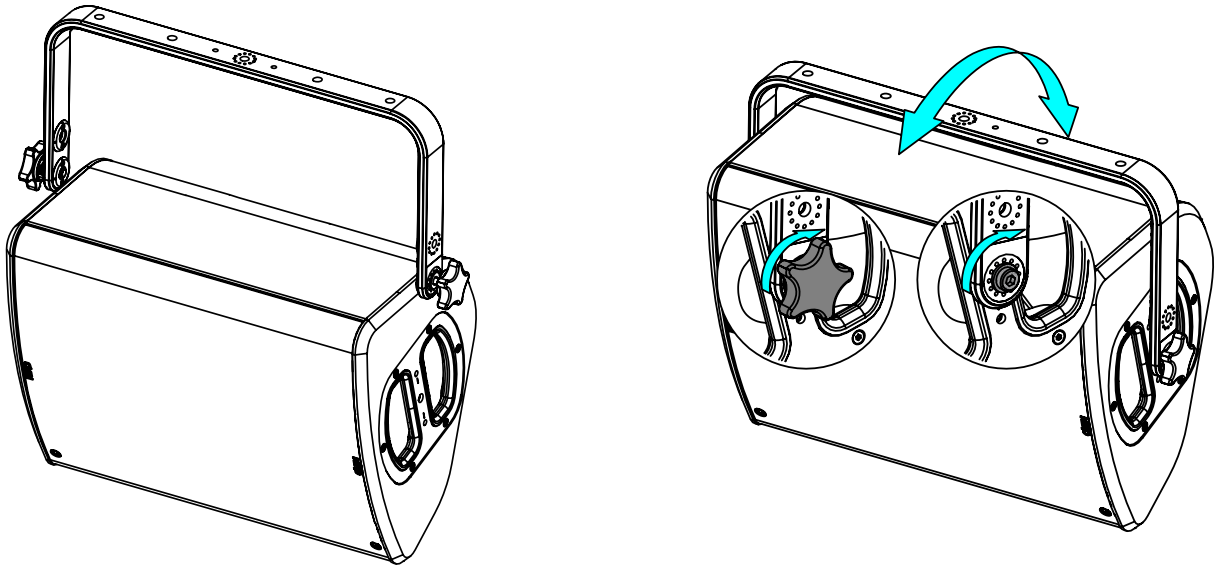


**Safety**

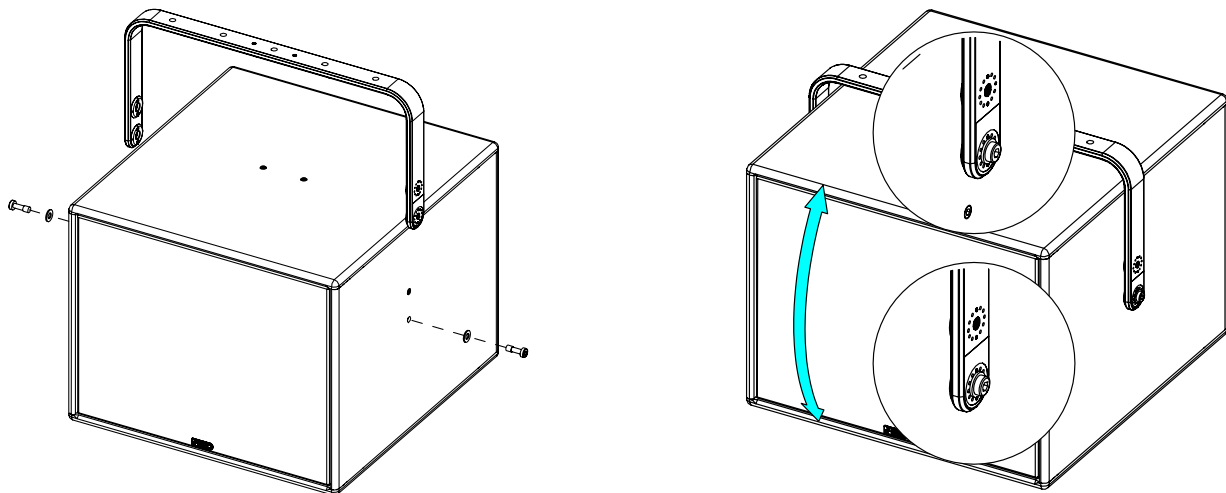
For permanent installation, use the provided thread lock coated screws.  
 Please, select screws and mounting location supporting 4 times the system weight.  
 Inspect bolted assemblies periodically.

**Use:**

Place HBRK535 on P12 or ePS10, use only fasteners provided. Tight properly.



Place HBRK535 on eLS600 (2 positions), use only fasteners provided. Tight properly.



Usable with VNI-CLADAPT / VNI-WMxxx / VNU-PLADAPT

**WARNING**

High force exerted on vertical mount section.  
 Use appropriate hardware fixings on all four mounting points with large washers or backplate to spread the load !

- NEXO cannot accept responsibility for accidents caused by any factor other than defects in this product itself.
- Please check the web site [nexo-sa.com](http://nexo-sa.com) for the latest update.