

FRONZONI '64

A.G.Fronzoni

cappellini



Collection of square or rectangular tables designed in 1964, square metal tube base design with a wooden top, matt lacquered in white or anthracite colors.

Materials used_

Top:

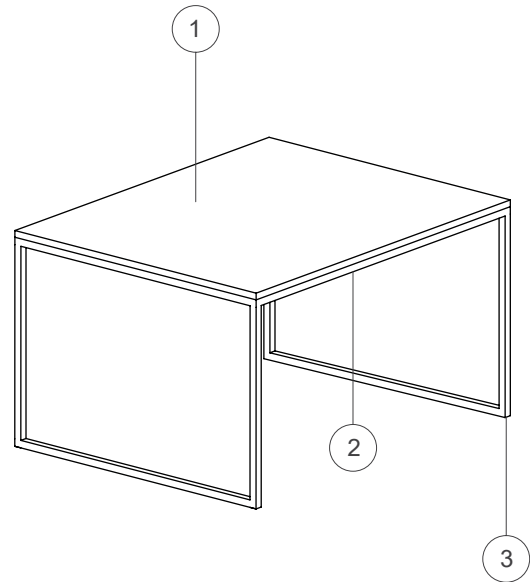
1. Panel conglomerate fiber medium density wood, matt lacquered in white or anthracite

Base:

2. Metal pipe of square section with rectangular plate, powder-coated white or anthracite

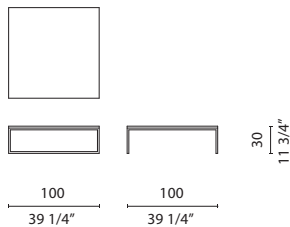
Feet:

3. Black plastic

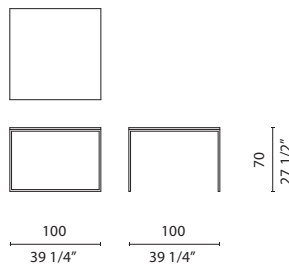


Dimensions_

FR_21



FR_26



FR_27

