

Aviolux is a collection of wall-hung containers that lends itself to compositions suitable for home and office. The containers may be equipped with hinged or fall-front doors and may be grouped together or combined with the Sistema's shelves, platforms and benches with their same matte and glossy lacquer colors.

Used materials

Structure:

1. Glossy or matt lacquered medium-density conglomerate wooden panels in the collection colours.

Doors:

2. Poplar plywood panels connected with aluminium equipped with snap hinges in stainless steel, matt or glossy lacquered.

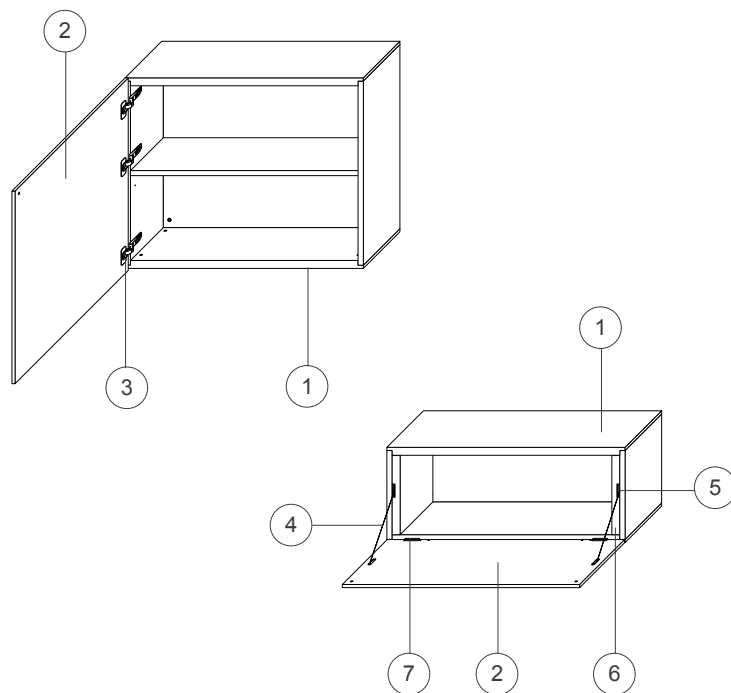
3. Snap steel hinges.

4. Winch mechanism for flap door in polished aluminium.

5. Aluminium chromed cable passage.

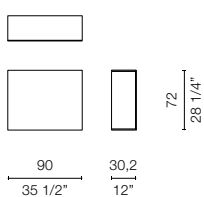
6. Matt or glossy lacquered particle-board panel, covering the Winch mechanism.

7. Nickel aluminium hinge for flap door.

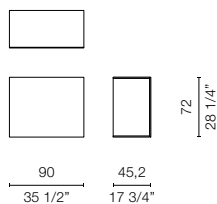


Dimensions

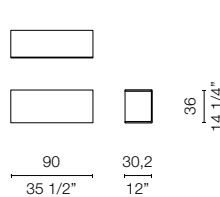
AVAN7T



AVAN7Q



AVRN3T



AVRN3Q

