



Plasson Universal Slip Repair Coupling



PN16	PN16	PN16	PN16	PN16	PN16
<u>60-64 mm</u>	<u>48-51 mm</u>	<u>40-43 mm</u>	<u>31-35 mm</u>	<u>24-28 mm</u>	<u>19-22 mm</u>
2.36"-2.52"	1.89"-2.00"	1.57"-1.69"	1.22"-1.37"	0.94"-1.1"	0.75"-0.87"

- Suits a variety of plastic and metal pipe materials
- Each fitting designed to fit a wide range of diameters
- Zero force pipe insertion – can slide freely back and forth
- Thick o-ring seal – compensates for poor pipe quality
- Seal compression increases as pressure increases
- Robust PP body and nut – high impact strength and stress resistance
- Long sealing area – can bridge over damaged section or gap between pipes
- Total reliability – PN16, designed to last 50 years
- Suitable for all cold water applications up to 45°

Simple Assembly



1 Mark pipe insertion depth



2 Insert the pipe

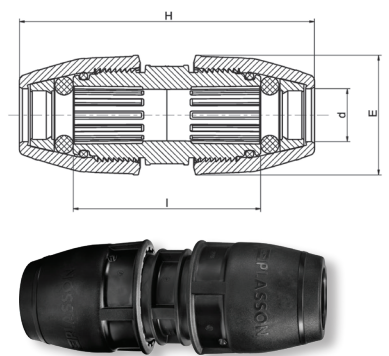


3 Tighten the nut



Geometry

Catalog Code	Size D	H	E	I	Max damage length
176100019022	19-22	180	58	119	80
176100024028	24 - 28	200	66	133	90
176100031035	31 - 35	210	76	143	100
176100040043	40-43	250	89	151	110
176100048051	48 - 51	270	101	158	120
176100060064	60 - 64	310	120	176	130



* For further information regarding dimensions, suitable pipes and assembly instructions please scan the code.