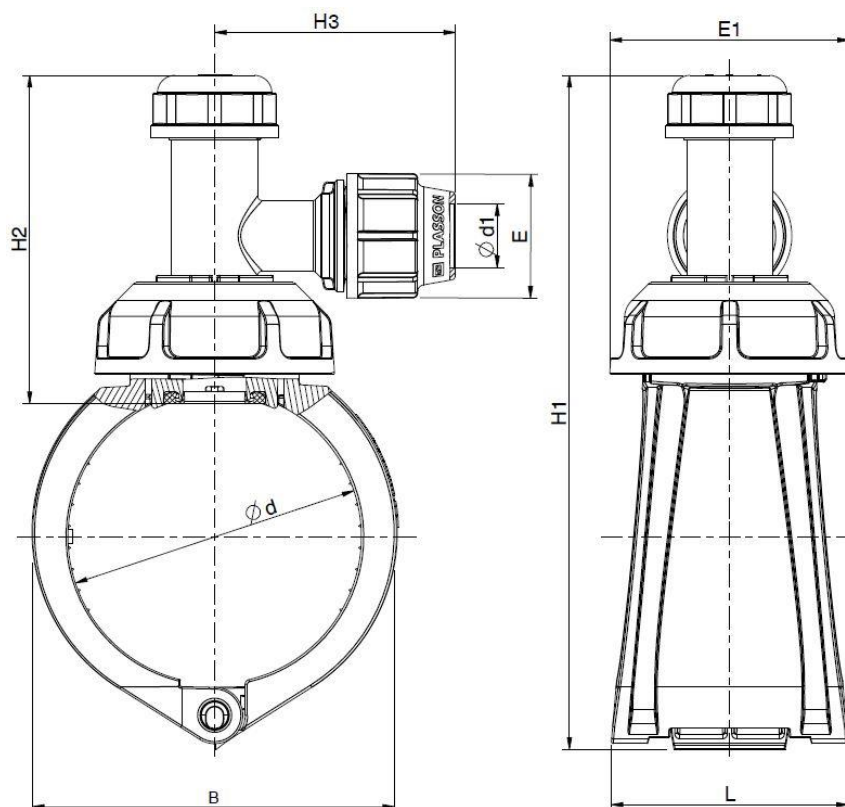




Compression Fitting Catalog Data Sheet

Product: PLASSADDLE TAPPER	Family No: 163100 (with series 7 grey nuts)	Updated: 7/2/2021
--------------------------------------	---	-----------------------------



Cat No.	Size dxd1	B	L	E	E1	H1	H2	H3
163100063025	63 x 25	91	89	54	102	231	144	106
163100063032	63 x 32	91	89	64	102	231	144	111
163100090025	90 x 25	119	94	54	102	258	144	106
163100090032	90 x 32	119	94	64	102	258	144	111
163100110025	110 x 25	141	97	54	102	273	144	106
163100110032	110 x 32	141	97	64	102	273	144	111
163100122025	122 x 25	157	100	54	102	290	144	106
163100122032	122 x 32	157	100	64	102	290	144	111
163100125025	125 x 25	157	100	54	102	290	144	106
163100125032	125 x 32	157	100	64	102	290	144	111
163100160025	160 x 25	198	106	54	102	325	144	106
163100160032	160 x 32	198	106	64	102	325	144	111
163100177025	177 x 25	220	110	54	102	350	144	106
163100177032	177 x 32	220	110	64	102	350	144	111
163100180025	180 x 25	220	110	54	102	350	144	106
163100180032	180 x 32	220	110	64	102	350	144	111





Pressure Rating:

Water PN 16

clamp Material:

Glass reinforced polypropylene

Pressurized body Material:

Polypropylene, high-grade copolymer

Split Ring Material:

Polyacetal

Seal Material:

EPDM