

# **Cebu - Shelter Cluster Meeting**

## **14:00, Dec 13, 2013**



# Agenda

**1. Introductions** - Last meeting's minutes review

**2. Shelter Cluster update**

- Strategic Response Plan (SRP) and shelter response strategy
  - Damage Loss and Needs Assessment (DALA) and Yolanda Recovery and Reconstruction Plan (YRRP) at national level
  - REACH assessment
  - Progress update
  - Information Management system and products
  - Technical guidelines and IEC material
  - Communication and key messages

**3. Shelter Cluster coordination mechanisms for Cebu province**

**4. “Task Force Paglig-on” and December 11 planning workshop outputs**

**5. AOB**

# Strategic Response Plan

- 'Soft' launch – **11<sup>th</sup> December**
- Official launch – 16<sup>th</sup> December
- **Shelter remains the second largest appealed** for amount at **\$178m** (which represents 23% of the overall total) and is made up of **32 projects** submitted by **27 agencies**.
- Funded at **15,5%** so far (as 13<sup>th</sup> December)

# Damage Loss and Needs Assessment (DALA)

- **Overall process Led by NEDA**, to contribute to the Yolanda Recovery & Reconstruction Plan (YRRP)
- Shelter & Housing section, with participation of **NHA, DSWD or DPWH**. 4 experts seconded to the team (**WB, ADB, Habitat for Humanity and Shelter Cluster Team**)
- Report in consolidation process, to be **presented around December 16<sup>th</sup>**



# REACH Assessment

- Specific Objective: **Mapping and sharing of shelter, WASH and early recovery related data** at the field and international level to support a planned and coordinated humanitarian aid response in the Central Philippines.
- **All data collection completed**
- Report in consolidation process, to be **presented in Manila around December 16<sup>th</sup>**



# Progress Update

## (National - as December 9<sup>th</sup>)

- **123,000 HH** reached with **emergency shelter** (further **660,000** planned)
- Almost **33,000 HH** given **support to self recovery** of shelter (further **258,000** planned)
- Support to self recovery of shelter = Roofing materials, Shelter Repair kits, Transitional shelter & cash

# Progress Update

## (Region VII as December 13<sup>th</sup>)

- **23,817 HH** reached with **emergency shelter** (further **12,685** planned)
- **5,012 HH** given **support to self recovery** of shelter (further **19,468** planned)



## EMERGENCY SHELTER - Partner Activities (as of 13/12/2013)

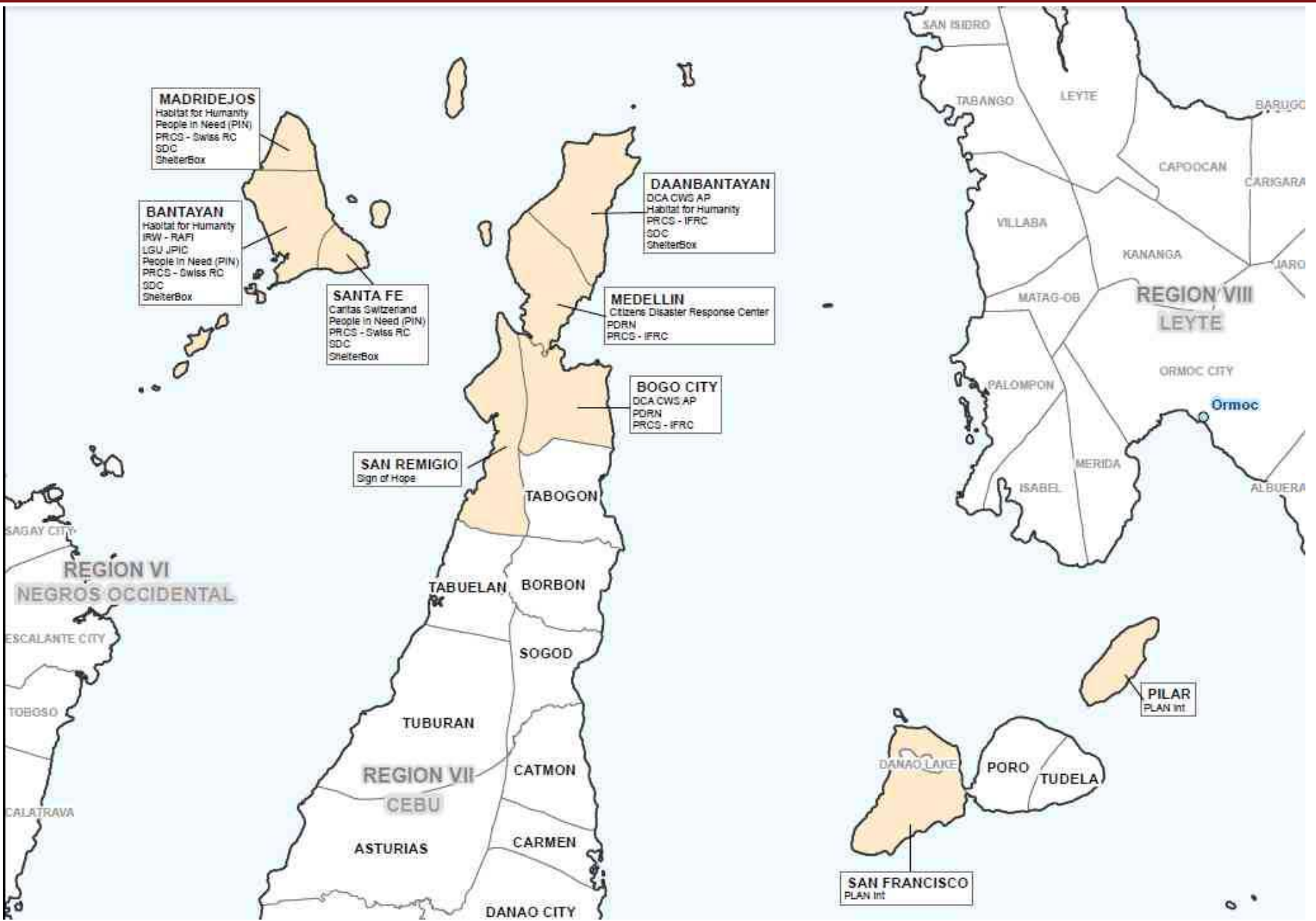
(Numbers indicate households)

AGENCY	Tarpaulins - 1 per HH		Tarpaulins - 2 per HH		Tents		Tools & Tarps		EMERGENCY SHELTER TOTAL (HH having received either tarps or tents)	
	Planned	Distributed	Planned	Distributed	Planned	Distributed	Planned	Distributed	Planned	Distributed
Caritas Switzerland				964				7,230	964	7,230
Citizens' Disaster Response Center					1,000					1,000
Habitat for Humanity					3,539					3,539
IRW & RAFI					3,000		1,636			4,636
LGU / JPIC-IDC / KKS		120							120	
People in Need (PIN)				1,000					1,000	
PRCS - IFRC	6,077				3,923				6,077	3,923
PRCS - Swiss RC				3,000					3,000	
SDC								2,900		2,900
ShelterBox			1,524				589		1,524	589
<b>Grand Total</b>	<b>6,077</b>	<b>120</b>	<b>1,524</b>	<b>4,964</b>	<b>11,462</b>		<b>2,225</b>	<b>10,130</b>	<b>12,685</b>	<b>23,817</b>

## SUPPORTING SELF RECOVERY OF SHELTER - Partner Activities (as of 13/12/2013)

(Numbers indicate households)

AGENCY	Construction material		Transitional shelters		Shelter Repair kit		Cash		SUPPORTING SELF RECOVERY TOTAL		Tool kits	
	Planned	Distributed	Planned	Distributed	Planned	Distributed	Planned	Distributed	Planned	Distributed	Planned	Distributed
Enfants du Mekong	350	30							350	30		
Global Communities												
Habitat for Humanity						482				482		
IRW & RAFI	2,000						2,000		4,000		2,000	
PDRN					118				118			
Polish Humanitarian Action	1,000								1,000		1,000	
PRCS - Swiss RC	14,000								14,000		1,000	
SDC		4,500								4,500		
<b>Grand Total</b>	<b>17,350</b>	<b>4,530</b>			<b>118</b>	<b>482</b>	<b>2,000</b>		<b>19,468</b>	<b>5,012</b>	<b>4,000</b>	



**MADRIDEJOS**  
 Habitat for Humanity  
 People in Need (PIN)  
 PRCS - Swiss RC  
 SDC  
 ShelterBox

**BANTAYAN**  
 Habitat for Humanity  
 IRW - RAFI  
 LGU JPIC  
 People in Need (PIN)  
 PRCS - Swiss RC  
 SDC  
 ShelterBox

**SANTA FE**  
 Caritas Switzerland  
 People in Need (PIN)  
 PRCS - Swiss RC  
 SDC  
 ShelterBox

**DAANBANTAYAN**  
 DCA CWS AP  
 Habitat for Humanity  
 PRCS - IFRC  
 SDC  
 ShelterBox

**MEDELLIN**  
 Citizens Disaster Response Center  
 PDRN  
 PRCS - IFRC

**BOGO CITY**  
 DCA CWS AP  
 PDRN  
 PRCS - IFRC

**SAN REMIGIO**  
 Sign of Hope

**REGION VIII  
 LEYTE**

**SAN FRANCISCO**  
 PLAN Int

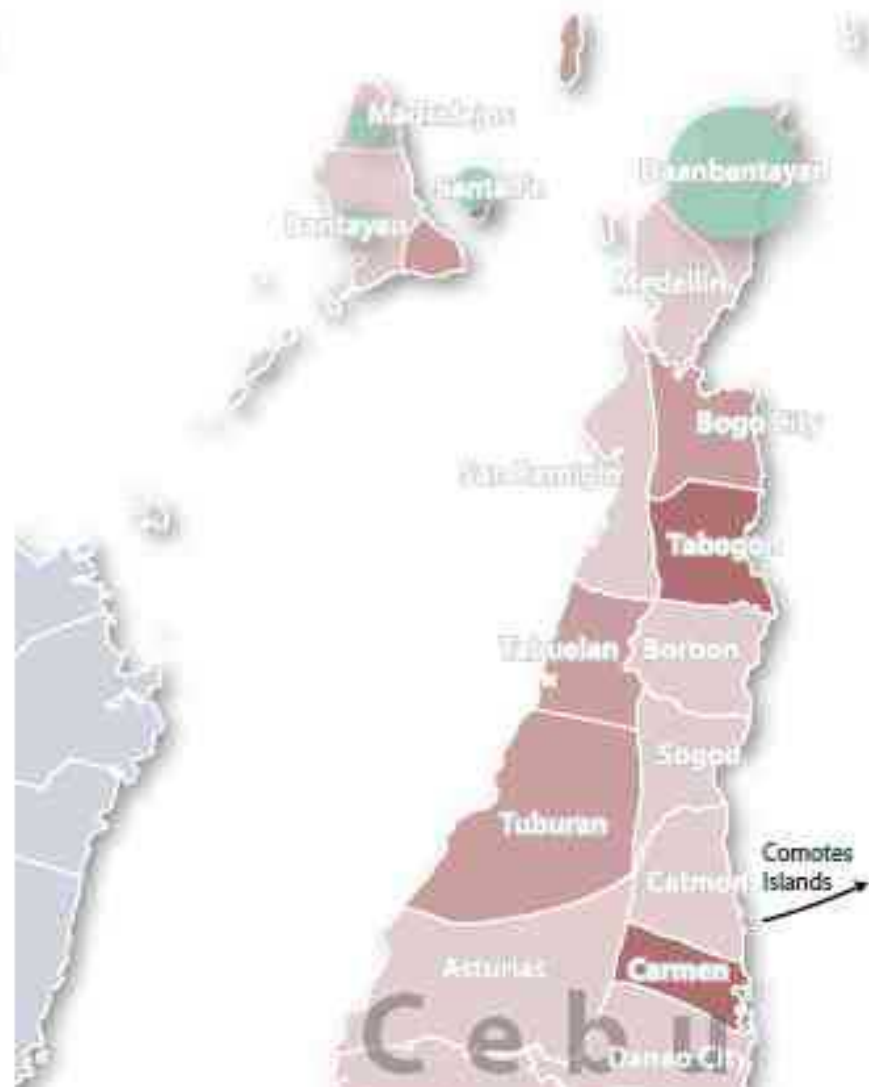
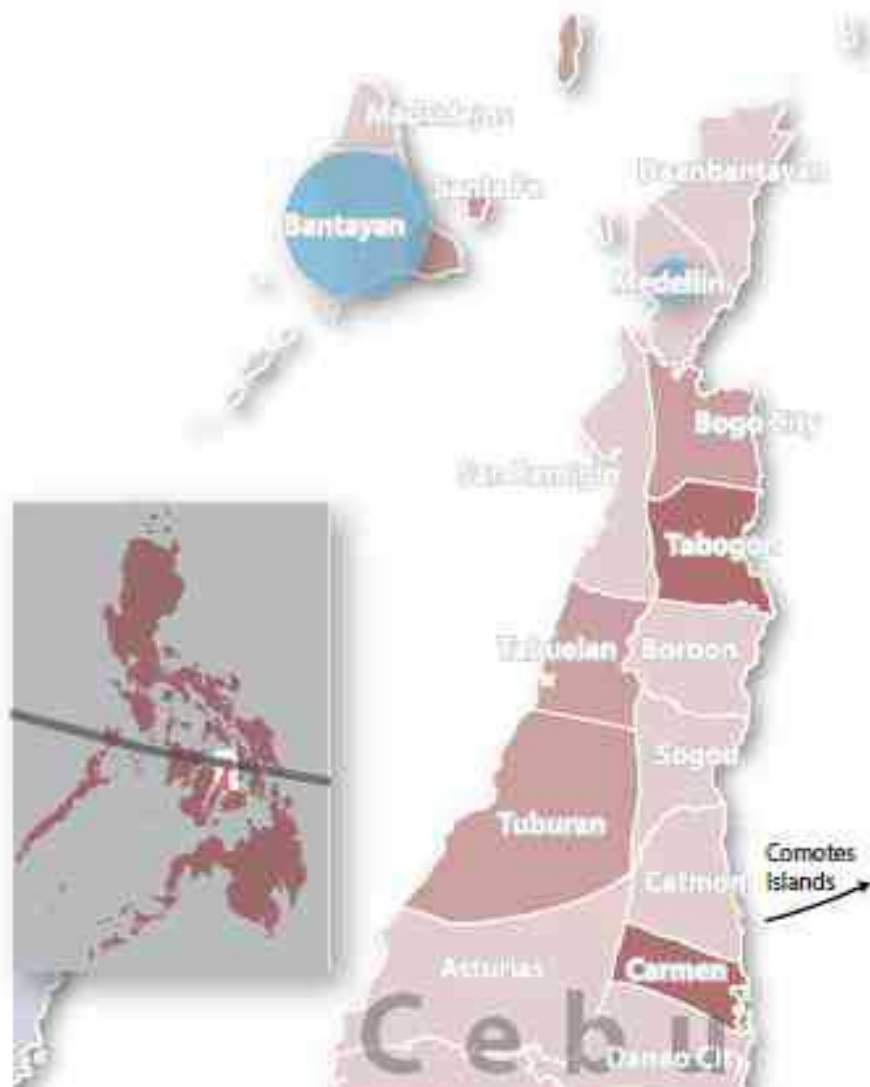
**PILAR**  
 PLAN Int





## Planned Recovery Shelter Activities

## Implemented Recovery Shelter Activities



# Technical Guidelines (16 pages)

- **SAMPLE Shelter Kits** (Emergency / Shelter Repair & Community Toolkit)
- **SAMPLE NFIs Kits** (Household NFIs & Household clean up kit)
- **Specifications** (Tarpaulins / Plastic sheeting – Tents – Rope specification – CGI – Blankets/Mats – Timber & coco lumber – Bamboo & Nipa palm)

# Sheltercase.org

## Technical Designs

### B.6 Philippines – 2011 – 'Transitional-Shelter'



#### Summary information

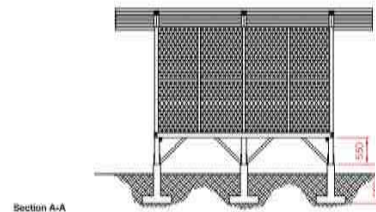
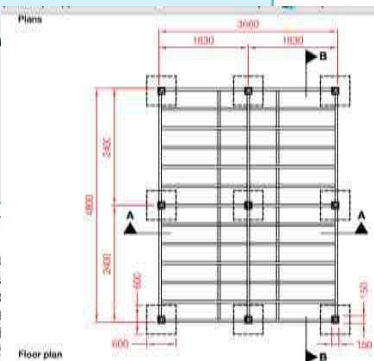
Disaster: Typhoon, December 2011  
 Materials: Concrete footings, coconut wood frame, plywood floor, a  
 Material source: Locally procured  
 Time to build: 5 days  
 Anticipated lifespan: 5 years  
 Construction team: 5 people  
 Number built: 1,823  
 Approximate material cost per shelter: 500 CHF

#### Shelter Description

This shelter is a rectangular structure with a single pitch roof and a c x 3.7m. The shelter is supported on concrete piers and footings s mately 750mm above grade. The floor and roof are framed with oak is plywood and the roof is corrugated metal roofing. The exterior w bamboo or palm leaves) fastened to the coconut wood frame. The l the concrete piers and moved to a different location by a small nur has one door and two windows.

#### Shelter Performance Summary

The timber framing should be relatively durable, provided it is properly framing and arrakan wall panels can be built with locally sourced reduces the need for skilled labor. Provided the wood posts and roof supports the shelter should perform satisfactorily, but damage shou adequacy of the floor and roof framing is dependent on the use of hi mance of the floor and roof framing, all the beams supporting floor jo



### B.7 Philippines – 2011 – 'Transitional-Shelter'



See A.4.4 Classification of Performance in the book

See A.4.3 Classification of Hazards in the book

#### Example of a Performance analysis

Hazard	Performance
Earthquake LOW	AMBER
Wind MEDIUM	RED
Flood HIGH	GREEN
Fire LOW	AMBER

Structure is expected to deflect and be damaged under earthquake loads.

Structure is expected to fail under wind loads.

#### Summary information

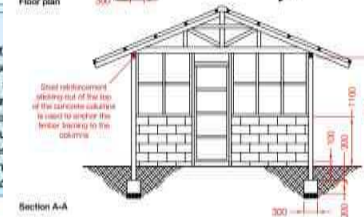
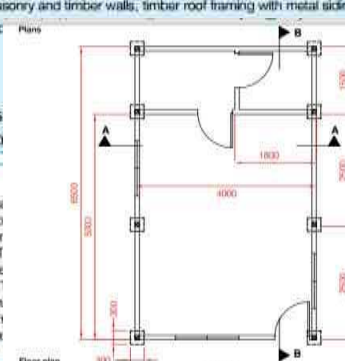
Disaster: Typhoon, December 2011  
 Materials: Reinforced concrete columns, masonry and timber walls; timber roof framing with metal siding  
 Material source: Locally and internationally  
 Time to build: 12 days  
 Anticipated lifespan: 5 years  
 Number built: 250  
 Approximate material cost per shelter: 1,5  
 Approximate project cost per shelter: 2,00

#### Shelter Description

This shelter is a rectangular structure with a g with a covered bathroom and vestibule of ap concrete masonry wall with wood framing or purlins supporting corrugated metal roofing. T located within the exterior walls. The concrete the plans do not specifically call for footings. 1 a below grade septic tank. The modular con directions with only minor modifications to th relocation and/or to be included in permanent windrows.

#### Shelter Performance Summary

The concrete and masonry components of t components are treated, the shelter should b components allows for quick construction of the structured, and allow for possible re-use in mo of the walls are properly anchored to the lowe shelter for lateral wind and seismic loads sho resist uplift loads for full wind speeds. Provide wood framing is adequate with the exception are not sufficiently strong to resist the anticip

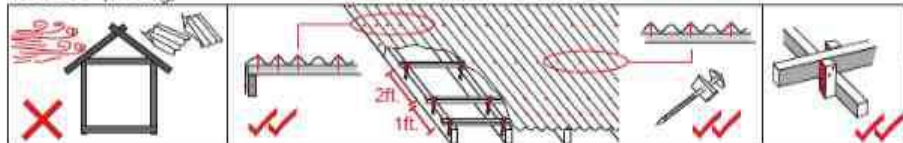




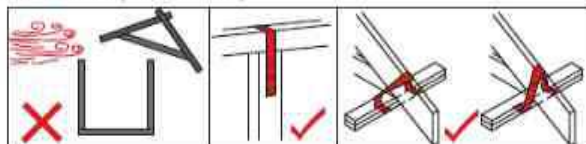
# IEC materials

## Mga Pama agi sa Pagtindog sa Malig-on nga Balay V1

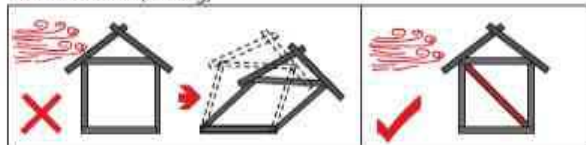
### PAG-ATOP (Roofing)



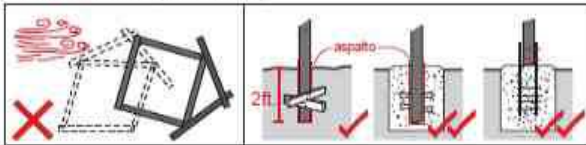
### PAGSUMPAY (Connections)



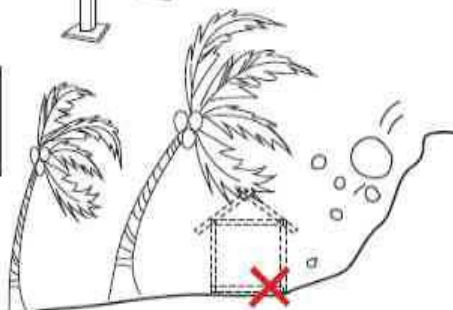
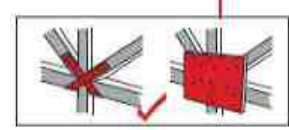
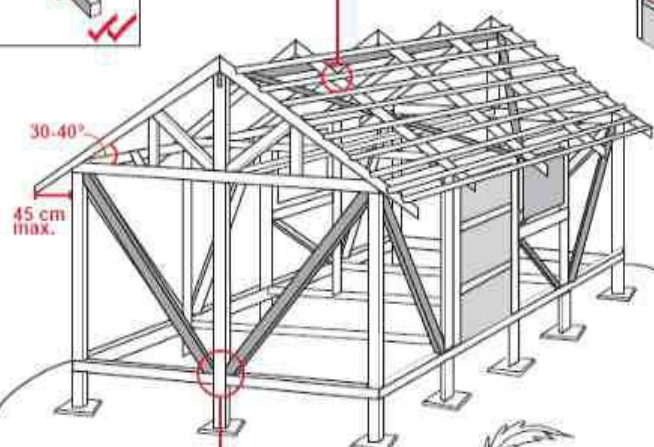
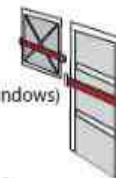
### PAG-PALIG-ON (Bracing)




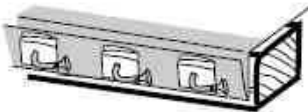

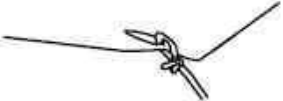





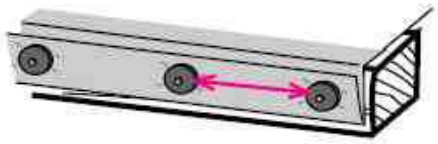

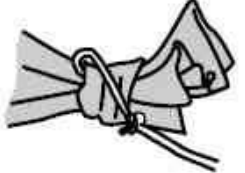
### PAGPUNDASYON (Foundation)



BINTANA UG  
(Doors and Windows)



# IEC materials

Fixing Plastic Sheeting to Wood			Fixing to Rope	
 <p>✗ Nail will tear sheet</p>	 <p>✗ Bending nails, using washers or bottle caps is not so good</p>	 <p>✓✓ Driving nails through, using washers or bottle caps is better</p>	 <p>✗ no reinforcement</p>	
 <p>✗ Too close to edge</p>	 <p>✓ Fold sheet over wood before fixing</p>	 <p>✓✓ Double fold sheet over wood before fixing</p>	 <p>✓✓ rope through reinforcement band</p>	
 <p>✗ Fixtures too far</p>	 <p>✓ fixtures 6"-12" apart</p>		 <p>✓✓ place stone inside</p>	
			 <p>✓✓ make knot with rope inside</p>	



# Social Media

The screenshot shows a web browser displaying the Shelter Cluster Philippines website. The URL is <https://www.sheltercluster.org/Asia/Philippines/TyphoonHaiyan%202013/Pages/Social-Media.aspx>. The page features a navigation menu with tabs for Home, About us, Global, Africa, Americas, Asia/Pacific (selected), Europe, MENA, and References. A sidebar on the left lists various resources under the heading 'Typhoon Haiyan 2013', including All Documents, Mapping, Appeal Revision, REACH Assessment, Technical Resources, and Coordination Hubs. The main content area is titled 'Latest on Typhoon Haiyan' and features a Storify story by Shelter Cluster, dated 23 days ago. The story title is 'Shelter Cluster - #Haiyan (Yolanda) in the Philippines'. The text of the story reads: 'This overview is for Shelter Cluster Coordinators and partners involved in the shelter response in the aftermath of Typhoon Yolanda (Haiyan). The stories are included for information, inclusion does not signify endorsement.' Below the text, it states: 'We are now going back to weekly overviews which you will find at [storify.com/ShelterCluster](http://storify.com/ShelterCluster)'. The date '18 November 2013' is also visible. At the bottom of the story, there is a UNOCHA logo and a 'Follow' button. The page also includes social media sharing options like 'Like' and 'Follow @storify'.



# Key messages & awareness



## Key messages for the Shelter Cluster (09.12.2013)

- Typhoon Haiyan (locally known as Yolanda) has destroyed 581,000 houses and damaged an additional 583,000 houses. That means that close to 1.2 million houses have been severely damaged or destroyed. In some communities, all houses have been destroyed. It will take survivors a long time to recover and both aid organizations and donors need to commit to supporting them for many years.
- The amount of initiative and effort that the survivors are investing in getting back on their feet is truly inspiring. Data collected by the Shelter Cluster shows that the vast majority of all families have already started rebuilding and repairing their homes. To assist them, the Shelter Cluster Strategy focuses on supporting them with things like tools, building materials and roofing materials as well as technical expertise so that they can build back safer. While emergency shelter materials such as tents are still needed, support for self-recovery is the priority.
- Among the biggest challenges for the shelter response are a lack of roofing materials such as corrugated iron sheets (CGI) and hurricane straps. In at least one community, all stocks have been completely depleted which means that families cannot continue to rebuild their homes. To meet their needs Shelter Cluster Partners urgently need 4 million CGI sheets and 700,000 hurricane straps over the next four months, as well as the logistical support to deliver them to the affected communities. Where possible, all materials should be sourced in the Philippines.
- Under the Strategic Response Plan, the shelter sector is asking for 178 million US-Dollars in financial and material support. So far, only 17 million US-Dollars have been pledged. Unless donor support increases dramatically over the next weeks, shelter agencies will not be able to assist the typhoon survivors adequately. This would lead to very negative long-term effects, such as increased poverty and even more vulnerability in the future. Given that the Philippines are frequently faced with major natural disasters, it is essential to improve the resilience of the population by providing them with adequate shelter and technical guidance to build back safer.
- So far, shelter agencies have confirmed that they have provided 122,000 households with basic shelter assistance such as tents and tarpaulins and 22,000 households with tools, building materials etc. that enable the survivors to repair their own homes. Since most houses have received damaged to their roofs and since most survivors require roofing materials, only shelter solutions that include support for the construction or repair of roofs are considered to be support for shelter self-recovery.

09.12.2013

[www.sheltercluster.org](http://www.sheltercluster.org)

1



## Working towards safe, dignified and appropriate shelter

### Contact

The Shelter Cluster has dedicated offices in Manila, Tacloban, Cebu, Roxas and Bohol with representatives in Guluan, Ormoc and Borongan.

Please write to the following email addresses if you have additional questions.

Manila: [Coord.Phil@ShelterCluster.org](mailto:Coord.Phil@ShelterCluster.org)  
Cebu: [Coord2.Phil@ShelterCluster.org](mailto:Coord2.Phil@ShelterCluster.org)  
Tacloban: [Coord5.Phil@ShelterCluster.org](mailto:Coord5.Phil@ShelterCluster.org)  
Roxas: [Coord4.Phil@ShelterCluster.org](mailto:Coord4.Phil@ShelterCluster.org)  
Bohol: [Coord.Bohol@ShelterCluster.org](mailto:Coord.Bohol@ShelterCluster.org)

Visit [www.haiyansheltercluster.org](http://www.haiyansheltercluster.org) for more information.



# Shelter Cluster coordination mechanisms for Cebu province

- What is the **actual situation**?
- Where are and must be the **different level of coordination**?
- What is the **weekly schedule** of SC related coordination meeting at municipal level?



# **“Task Force Paglig-on”**

## **December 11 planning workshop outputs**

- **The first workshop to support the Yolanda Recovery and Reconstruction planning for Cebu province has been held in Cebu on December 11.**
- **This event has been chaired by the governor himself being the chairperson of “Task Force Paglig-on”.**
- **National Economic Development Authority (NEDA) facilitated the meeting .**



# Any Other Business?

