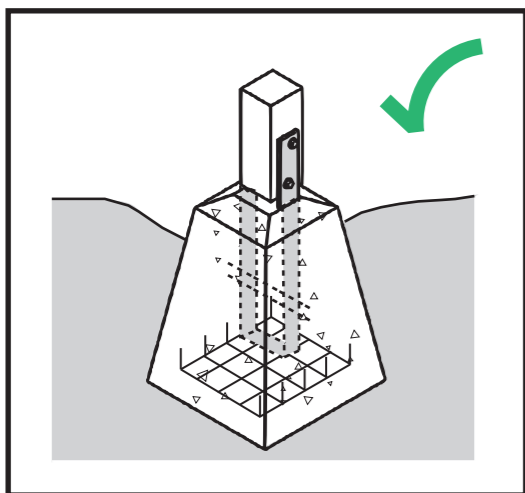
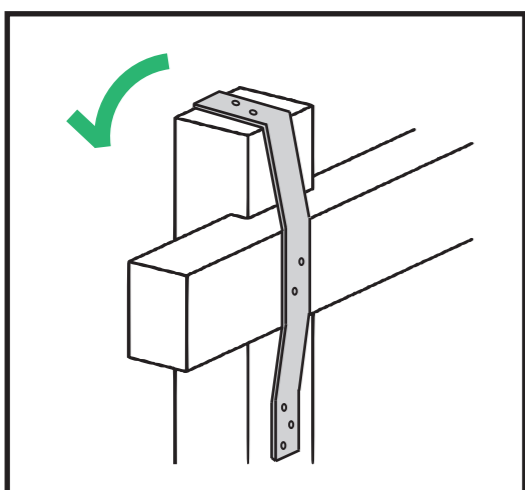


Yolanda showed us that the way we build houses needs to be stronger. These are 8 key messages on how to repair your house and build back safer.

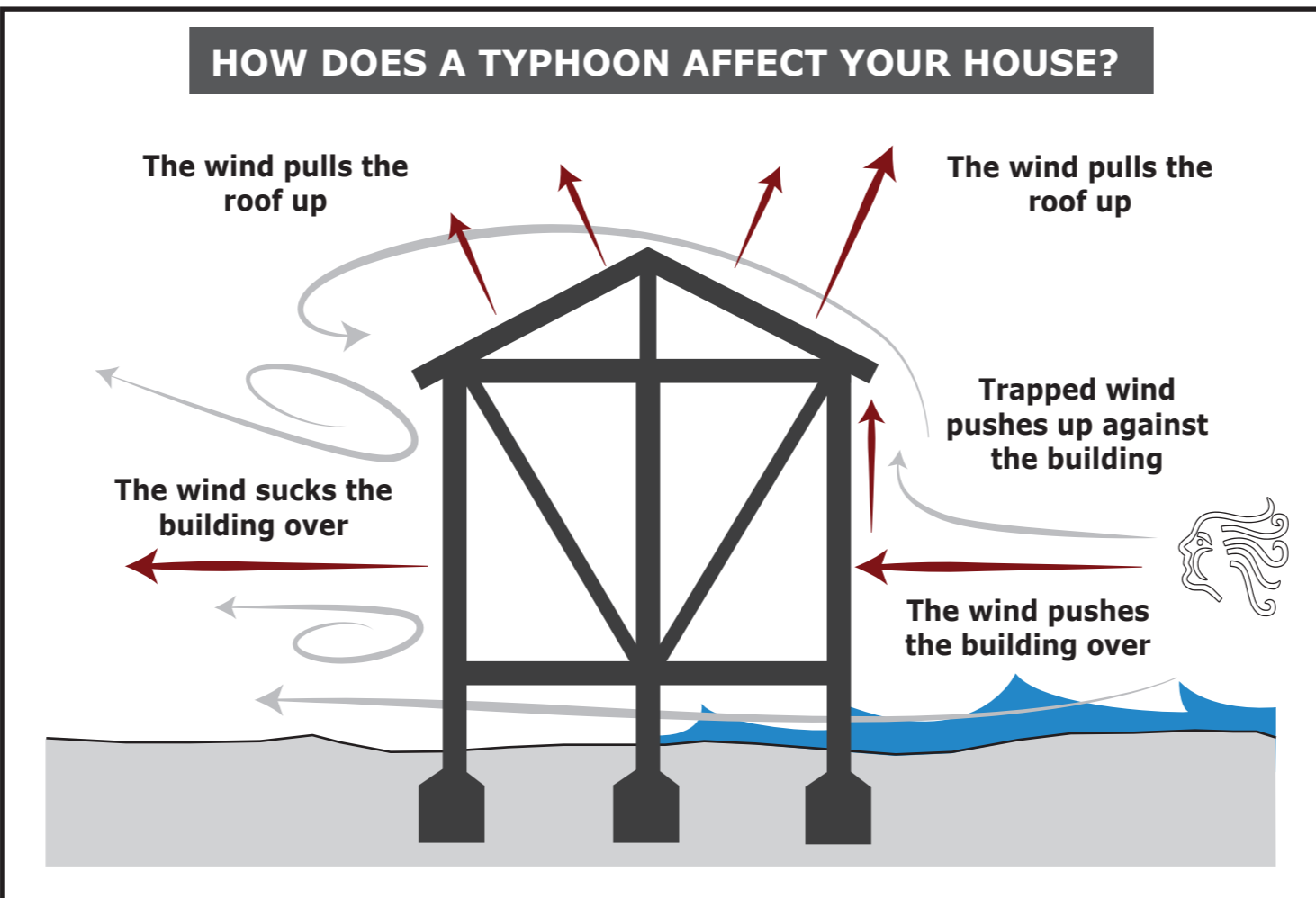
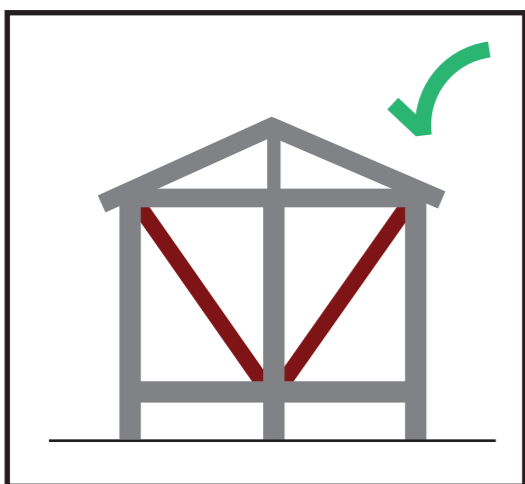
## 1 BUILD ON STRONG FOUNDATIONS



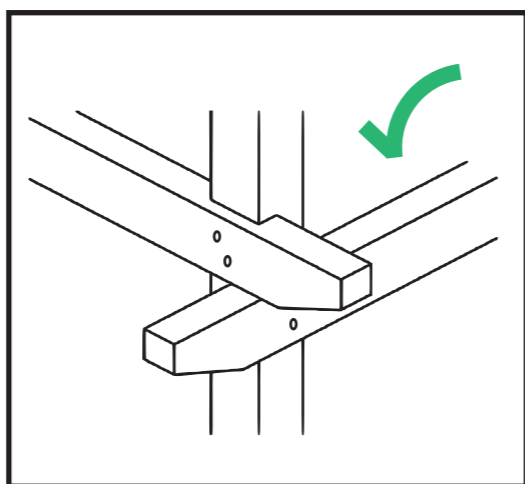
## 2 TIE-DOWN FROM BOTTOM UP



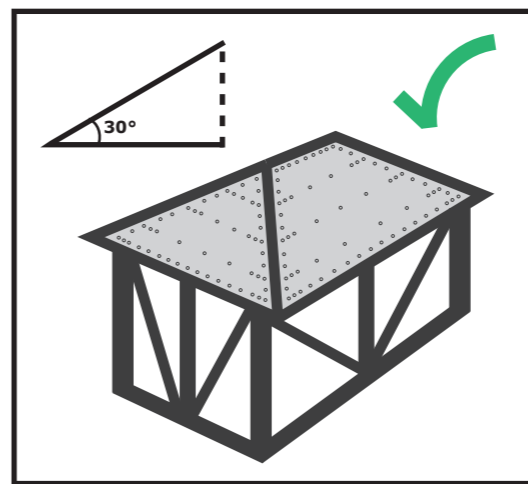
## 3 BRACE AGAINST THE STORM



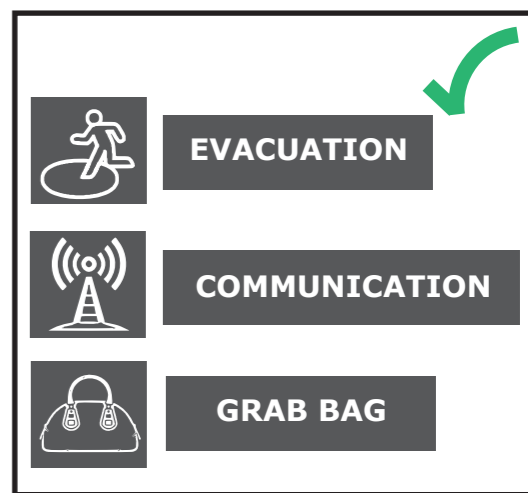
## 4 USE STRONG JOINTS



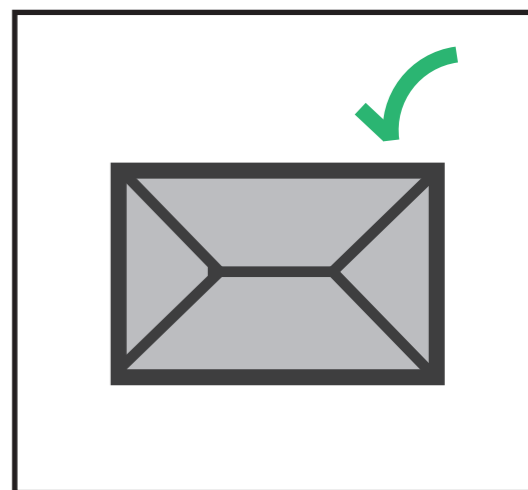
## 5 A GOOD HOUSE NEEDS A GOOD ROOF



## 8 BE PREPARED



## 7 A SIMPLE SHAPE WILL KEEP YOU SAFE



## 6 SITE YOUR HOUSE SAFELY

