

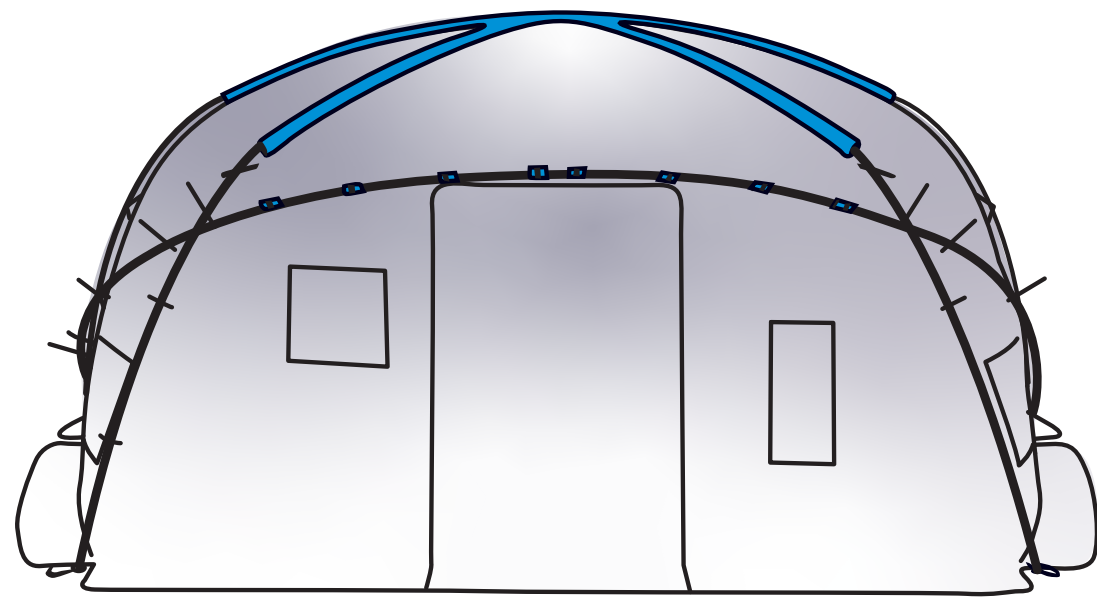
# GEODESIC TENT

## INSTALLATION INSTRUCTIONS BOOKLET

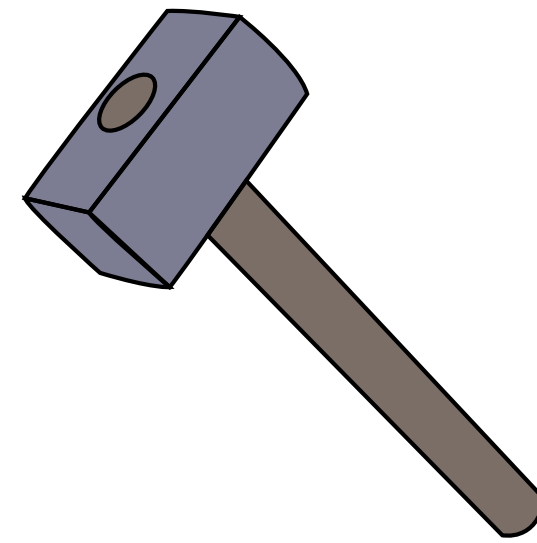


## PACKING LIST

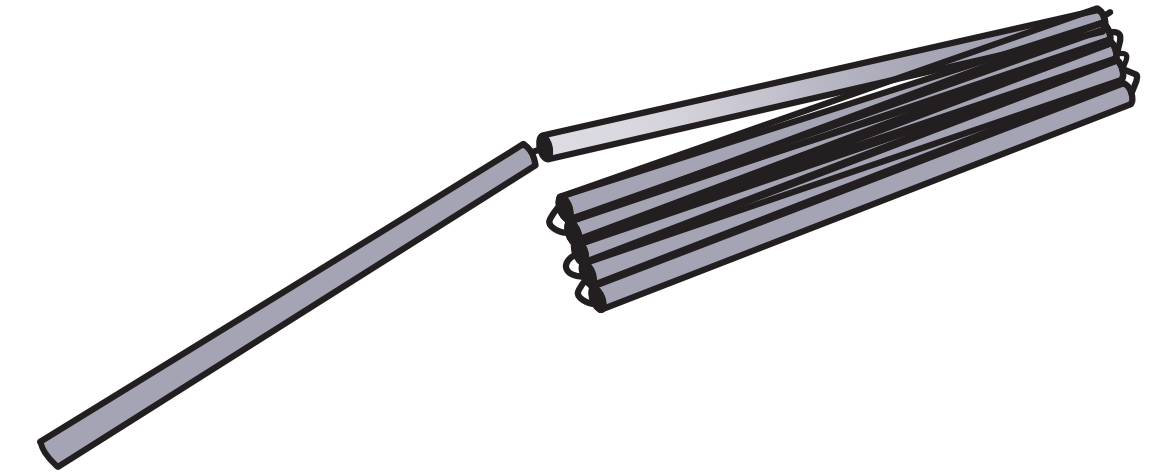
TENT PACKED IN ONE BAG – 110 X Ø 45 CM



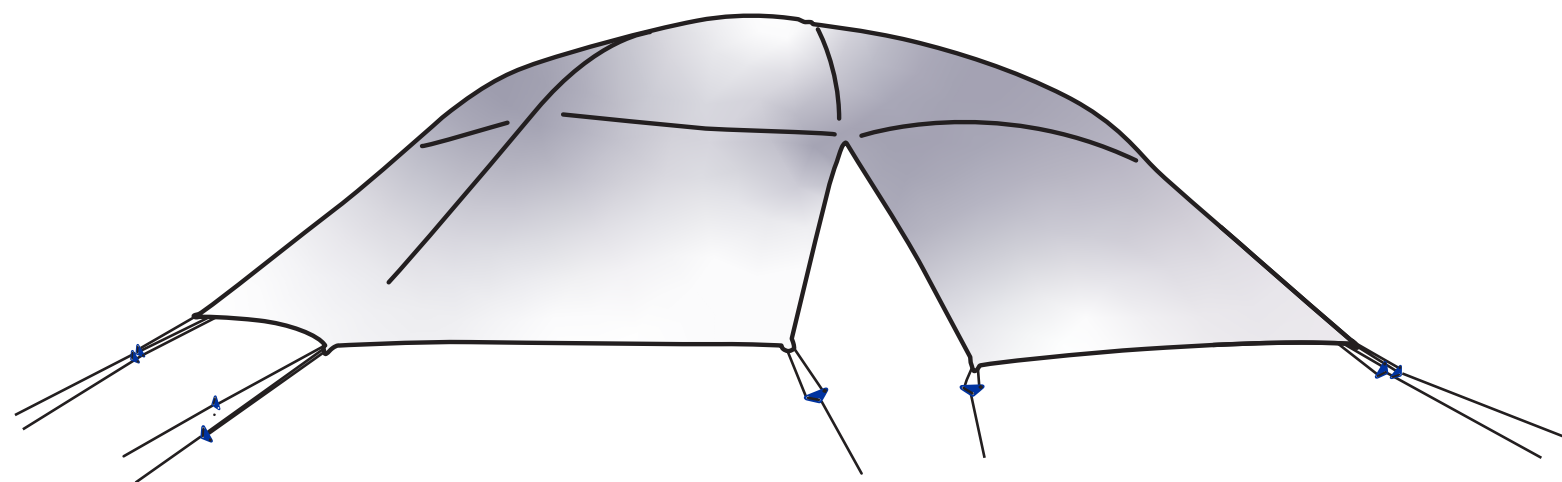
1x Tent



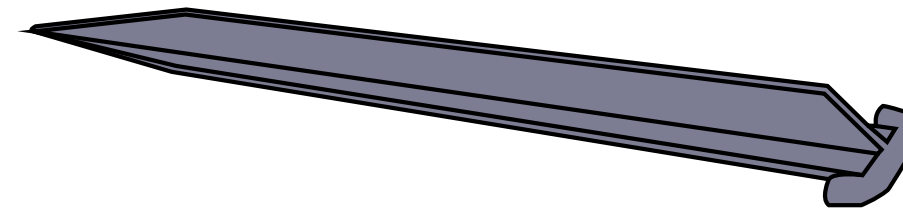
1x Hammer



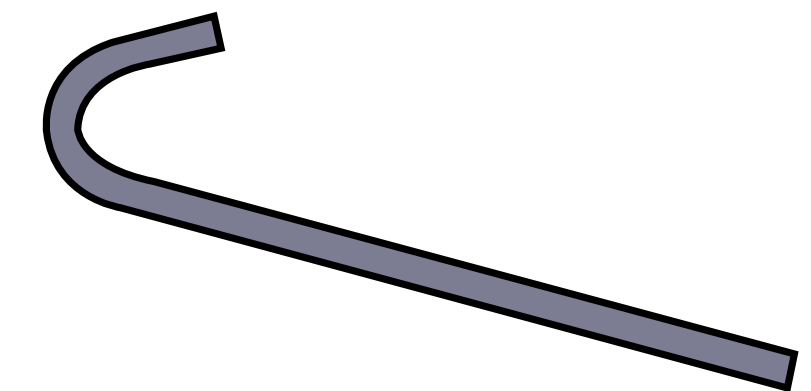
5x Foldable Poles



1x Outer Layer



6x Peg



10x Nail Peg

## WHAT IS NEEDED TO INSTALL THIS TENT:

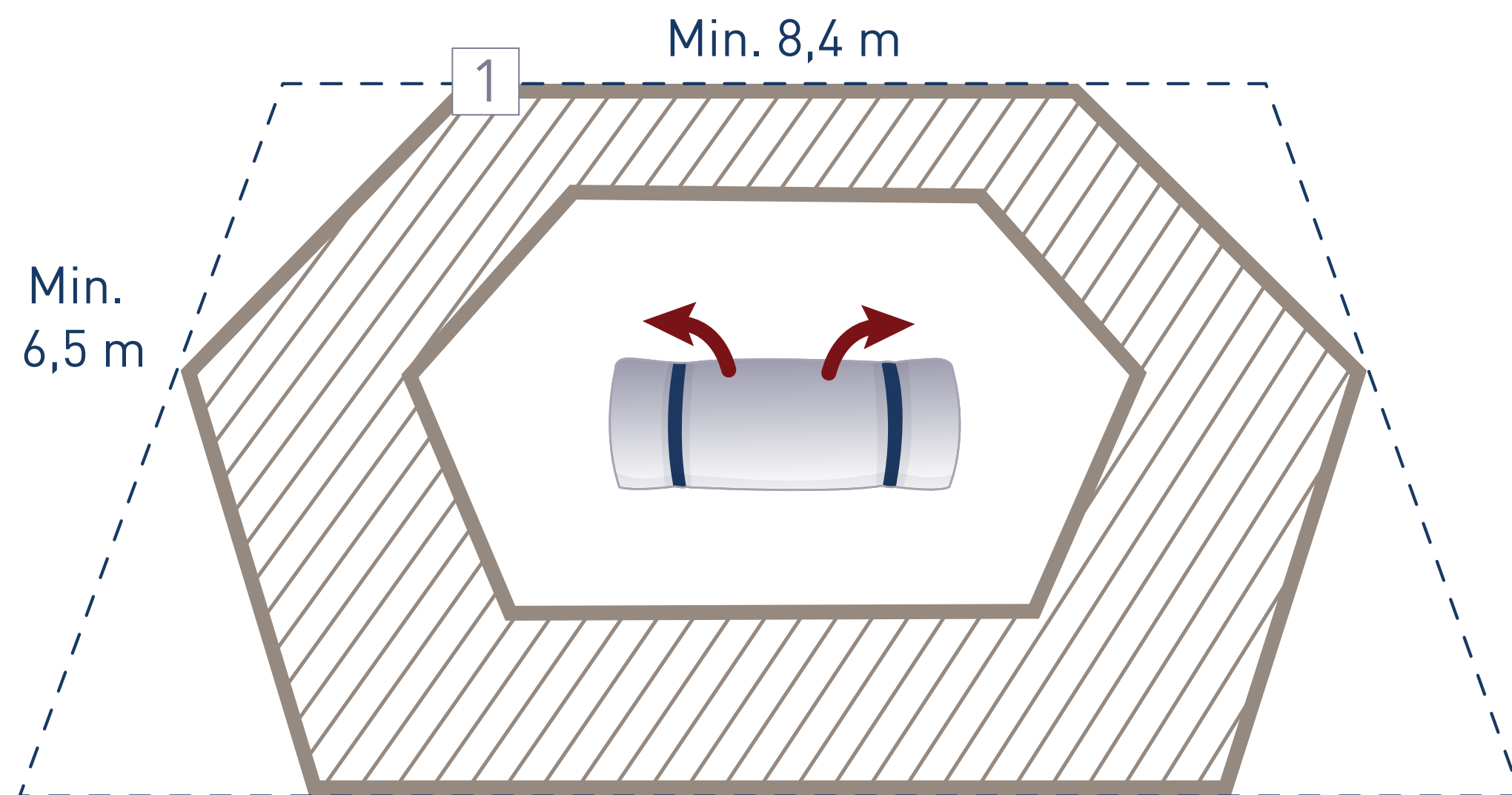
- *Three* adults.
- Duration: *1 hour*
- ***Flattened ground*** as much as possible. Away from flooding areas
- Not necessarily on a muddy/ sand surface, but if this is the case it is preferable to have a well-drained soil. It can be installed on concrete as well.
- Try to avoid a place away from ***polluted water, garbage collection area, falling rocks, rubble, Explosive Ordnance.***
- For fire safety and to have enough space for the outer layer allow at least ***3m spacing between tents/other shelters***

## FEATURES OF THE TENT

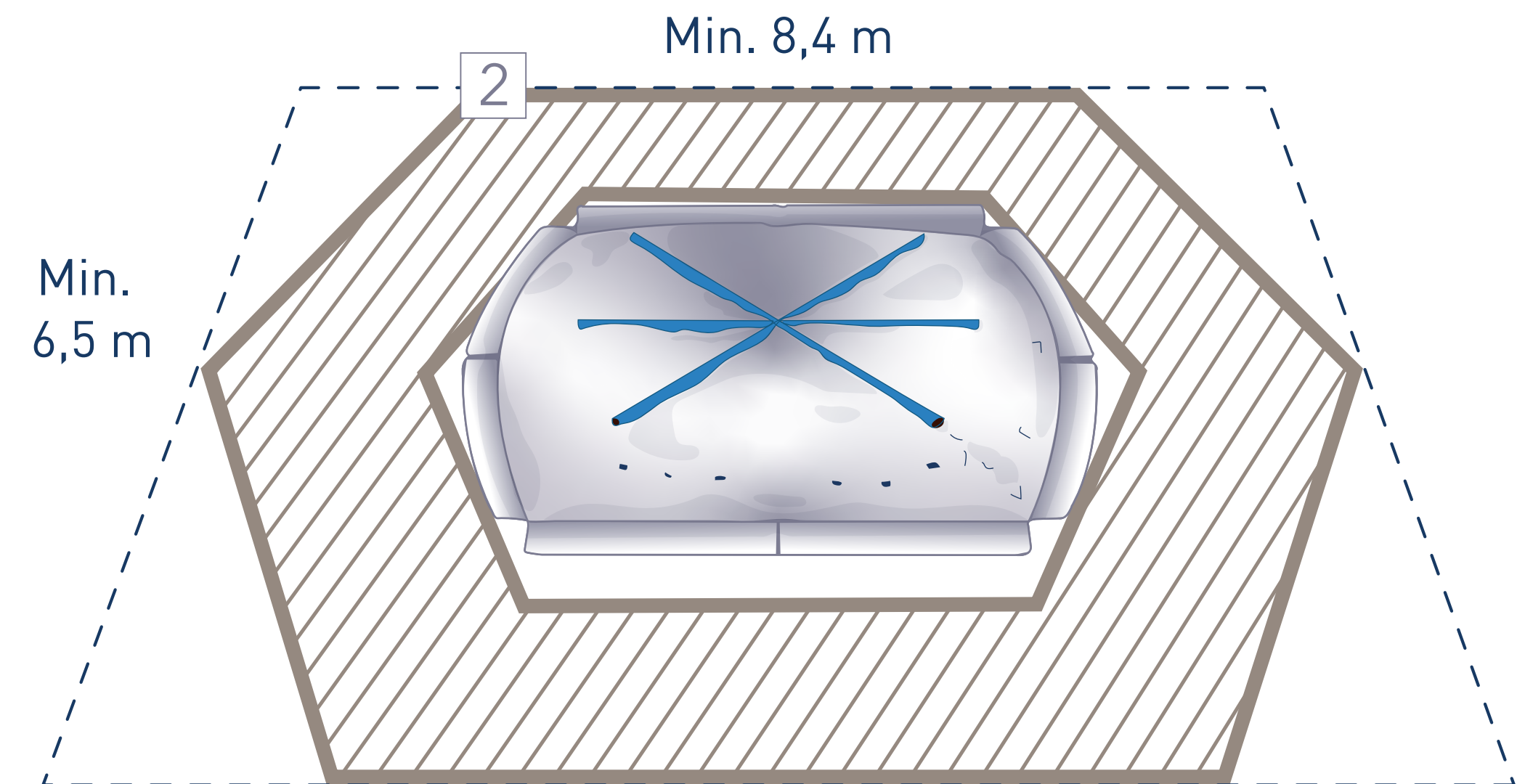
- Slow fire spread.
- resistant to wind speeds up to 120 km/h.
- Two doors, six windows, two are located on each side of the tent, and one next to each door, equipped with mosquito net.
- Two ventilation openings located at the top of the tent.
- Ground sheet for isolation.
- An outer layer for extra protection (roof).
- Shading on all sides through tent canopy.

## STEPS TO INSTALL:

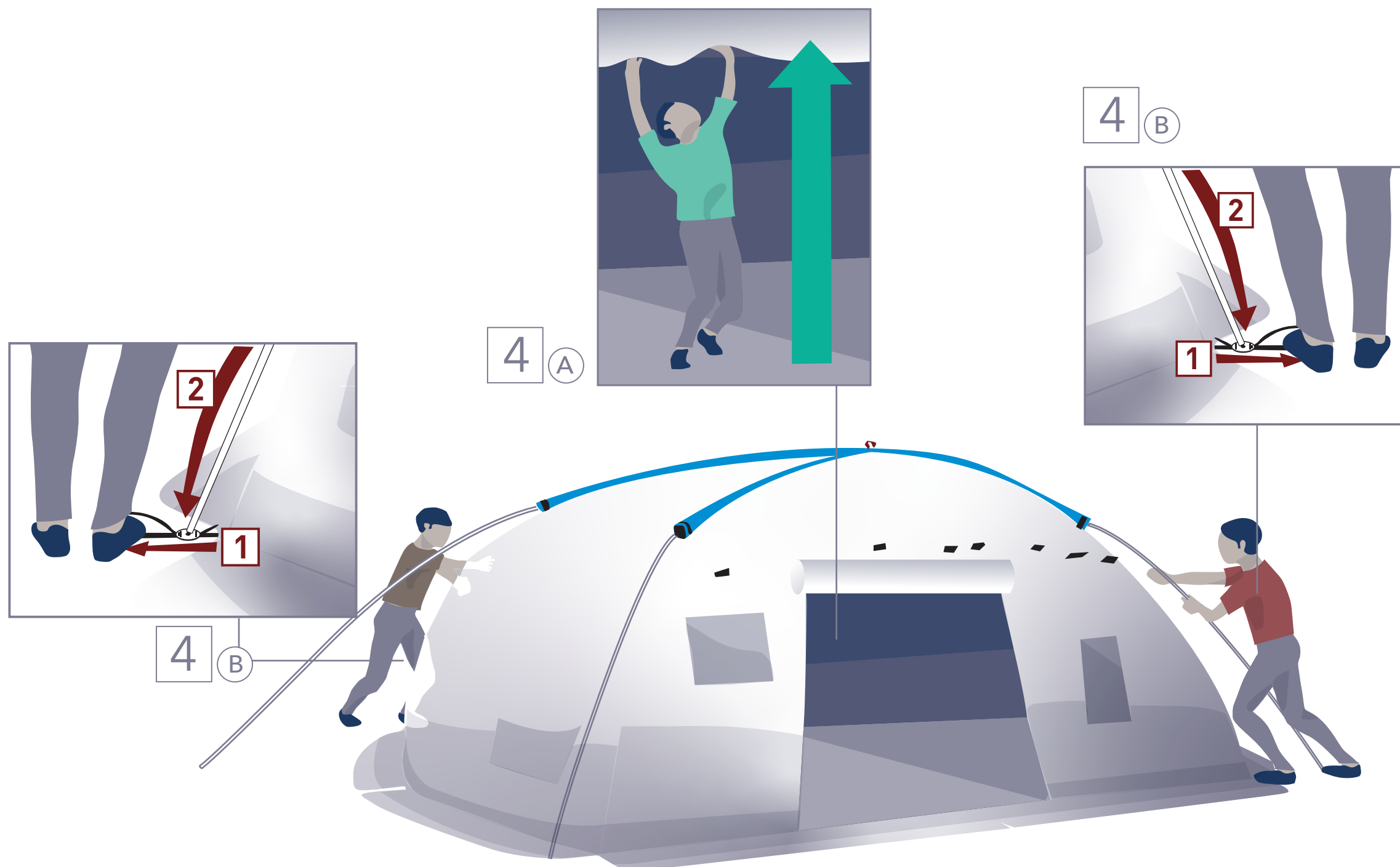
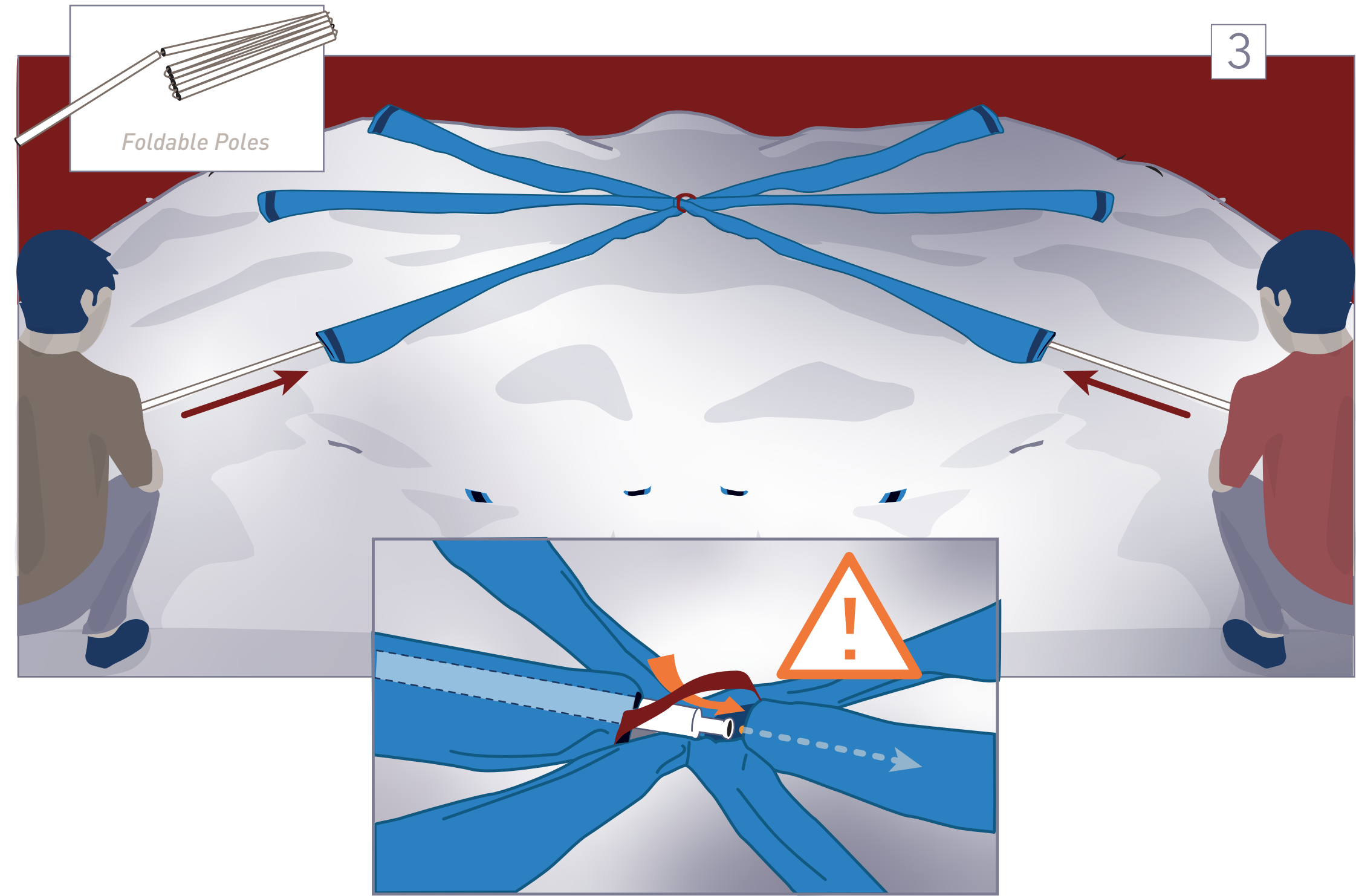
- 1 Remove the tent cover, check all contents, and arrange them in a suitable location near the installation site



- 2 At the installation site on a level surface, open the tent as it is showing, try to place the doors in a direction guarantees more privacy.

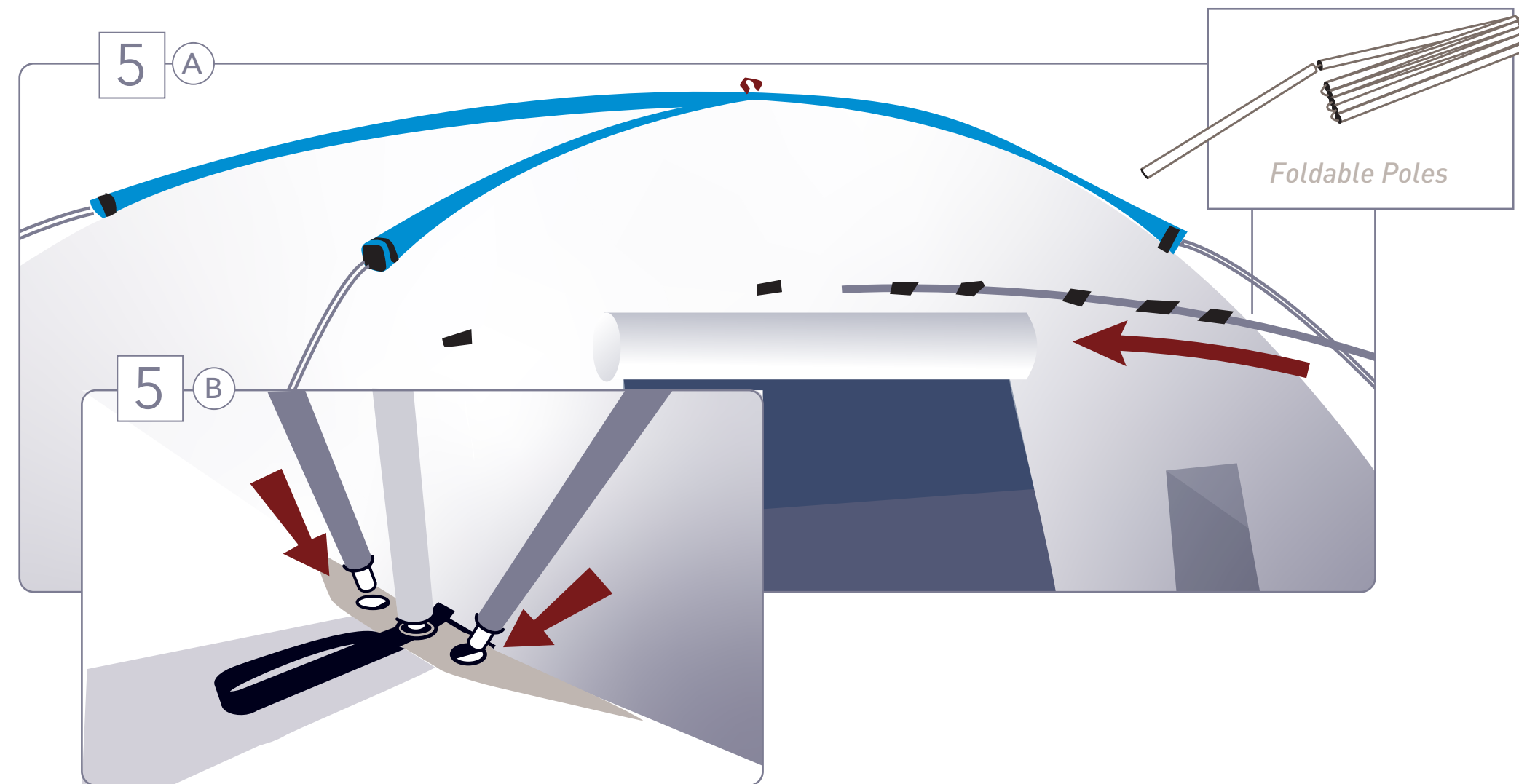


3 3 of the poles need to be passing through the tunnels on the tent, one person to guide the pole inside and on the other side another person to pull out from the opposite end. This needs to be repeated three times for all the three tunnels you have.



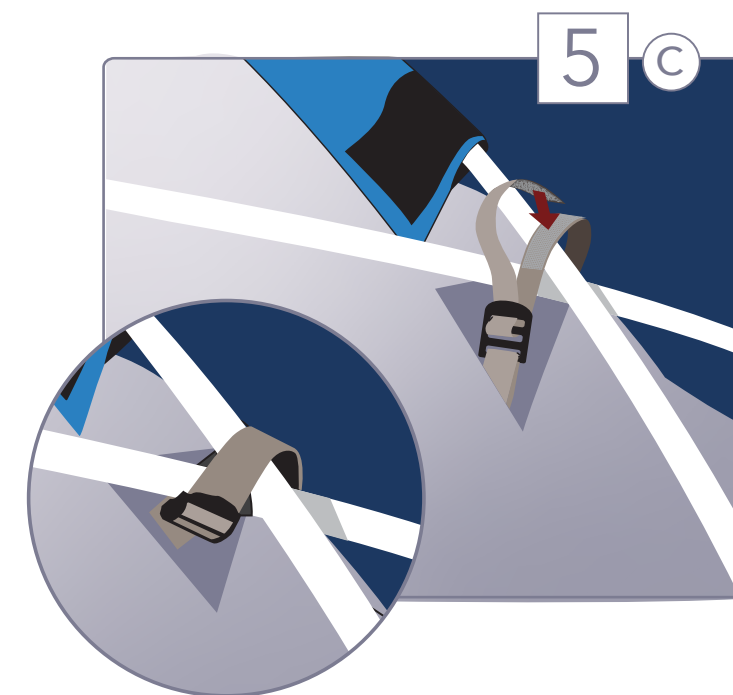
4 One person to go inside the tent and pop it up, with two persons fixing the poles from outside the tent.

- 5 Open the remaining two poles, pass them through the cloth rings on the opposite sides of the tent, and fix them as below:

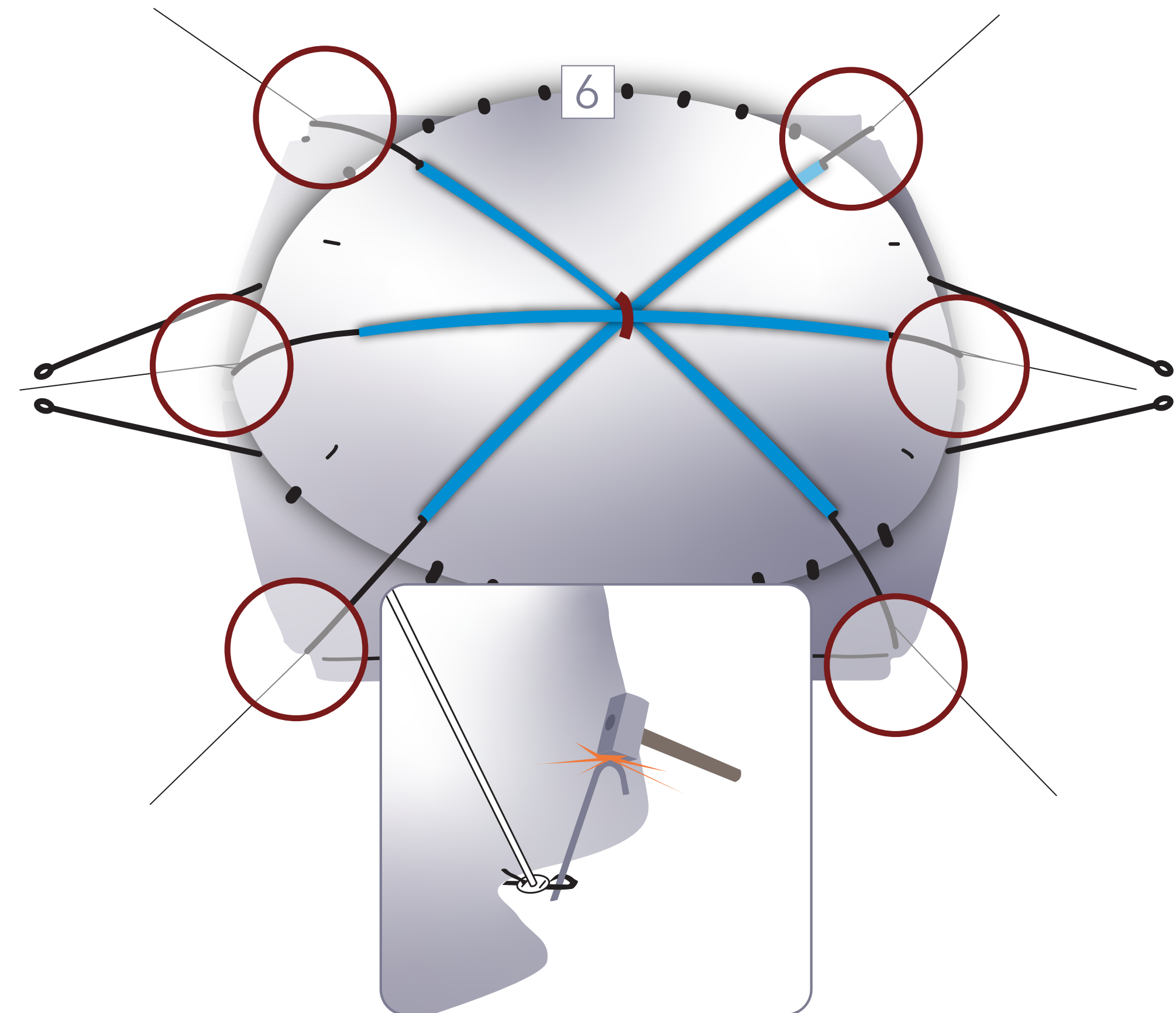


Tie all the poles well at the intersection spots in all sides, as well as at places where you find strap.

The tent has 32 straps

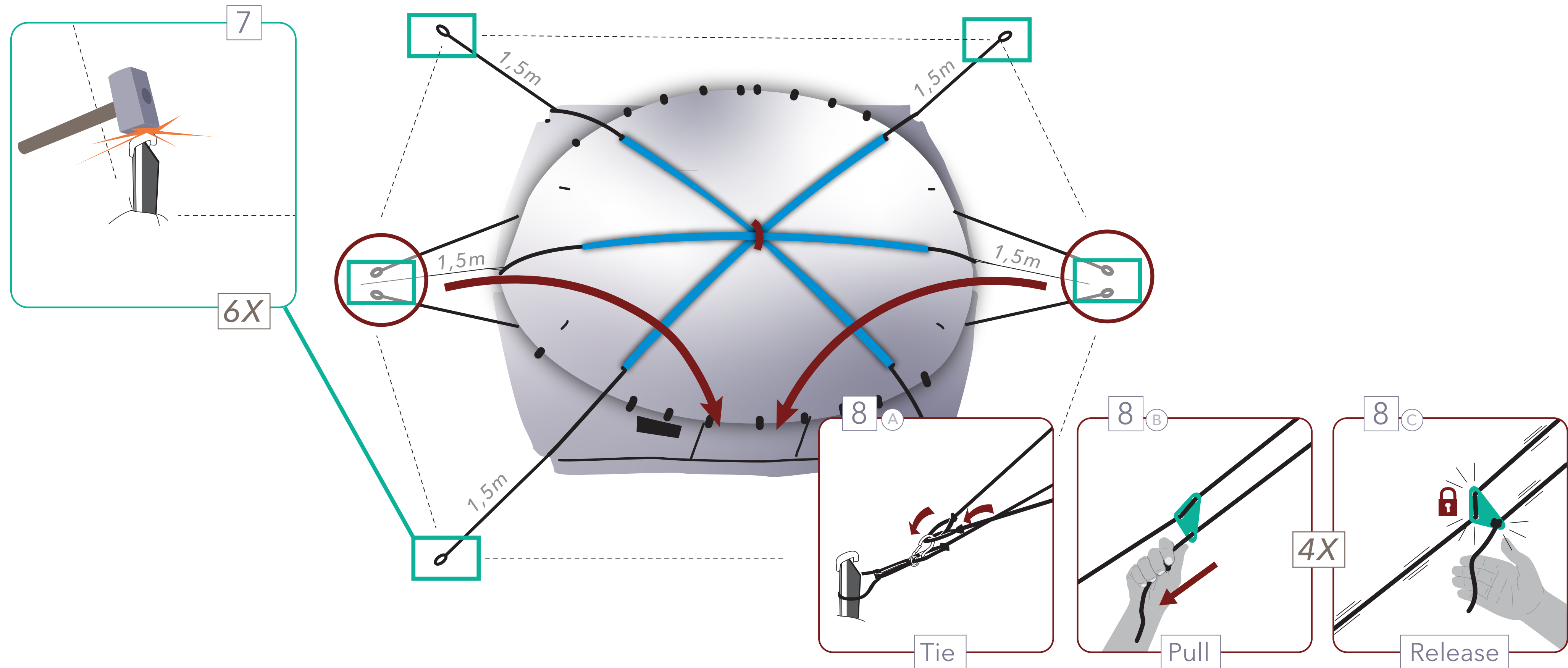


- 6 Use the 10 Pegs in fixing the tent to the ground as shown, using the hammer.



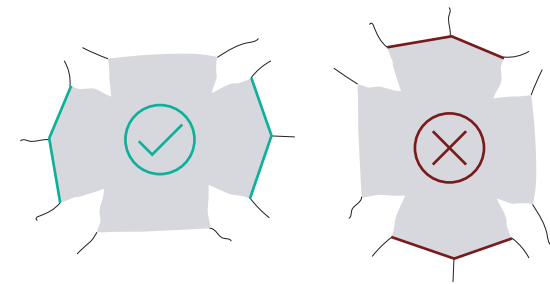
7 Use the 6 Pegs to fix the tent to the ground in 1.5M away from the tent:

8 Tie the rope and lock them as shown in 8A, 8B and 8C.

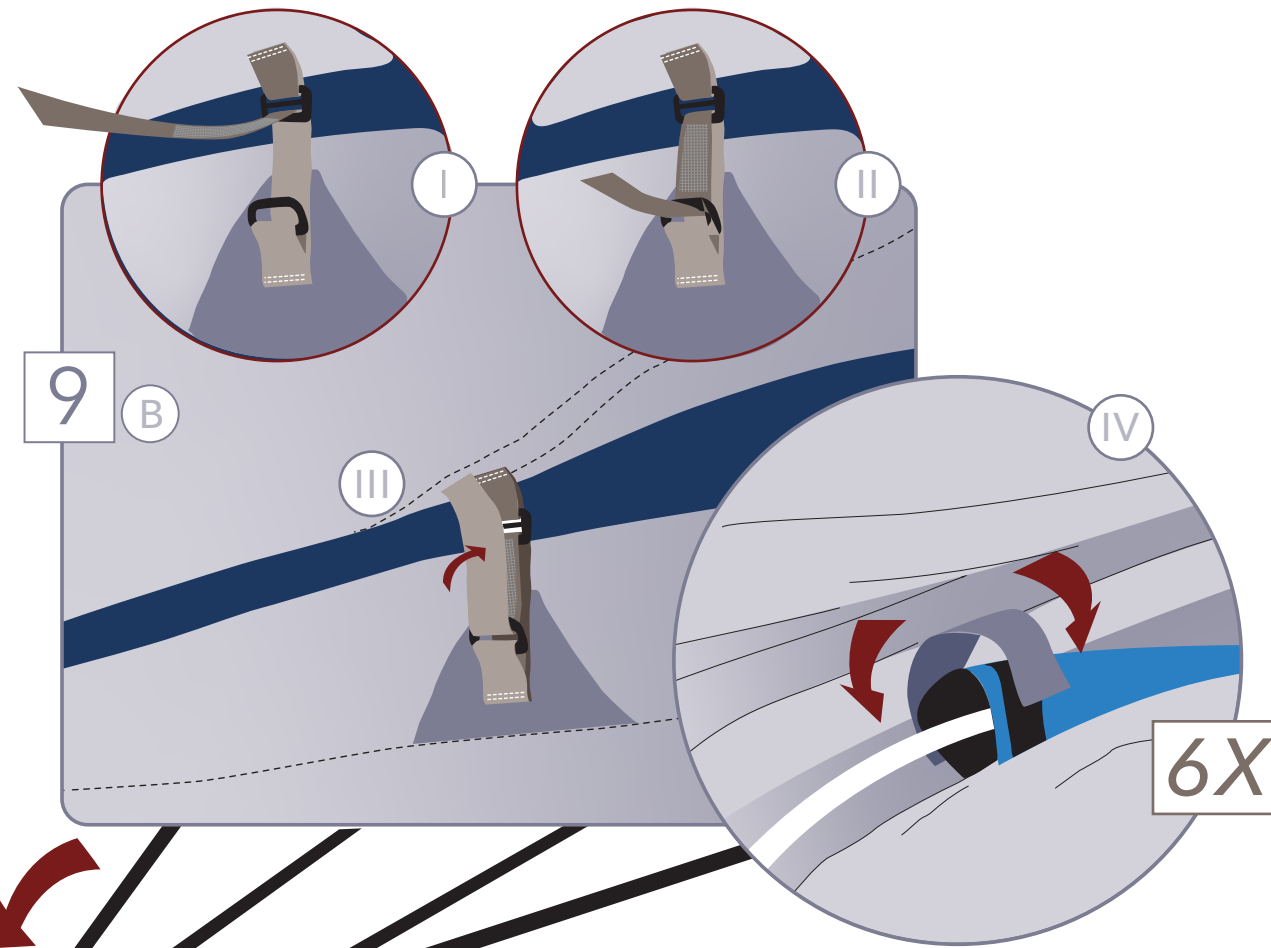


9 Now you have the main structure of the tent fully installed, to install the outer layer *(upon need and preference)*:

A) open the outer layer as shown, Place on the tent.



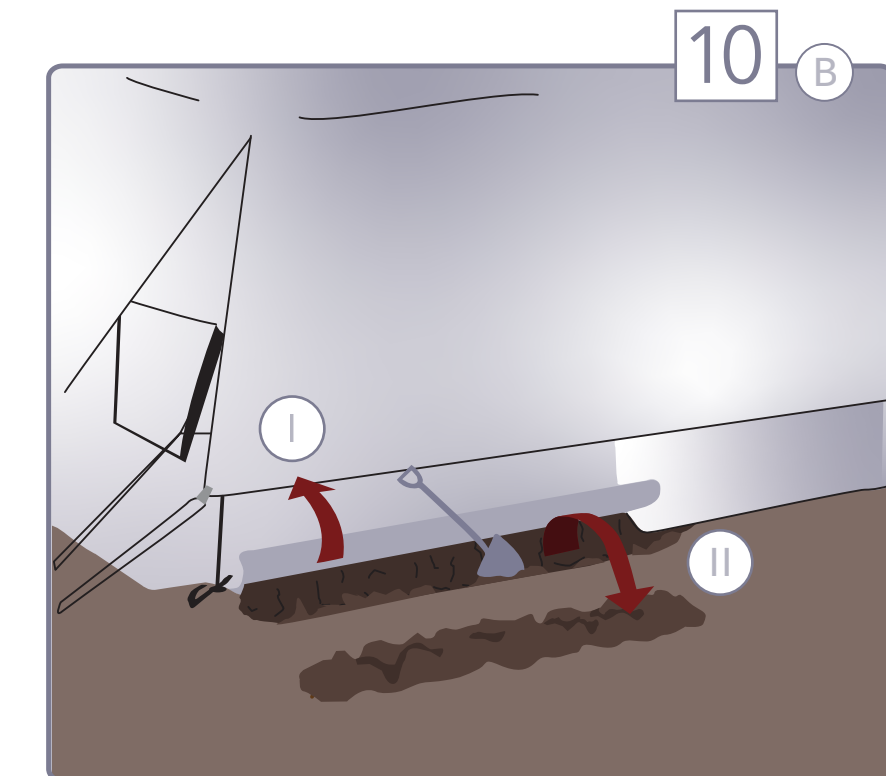
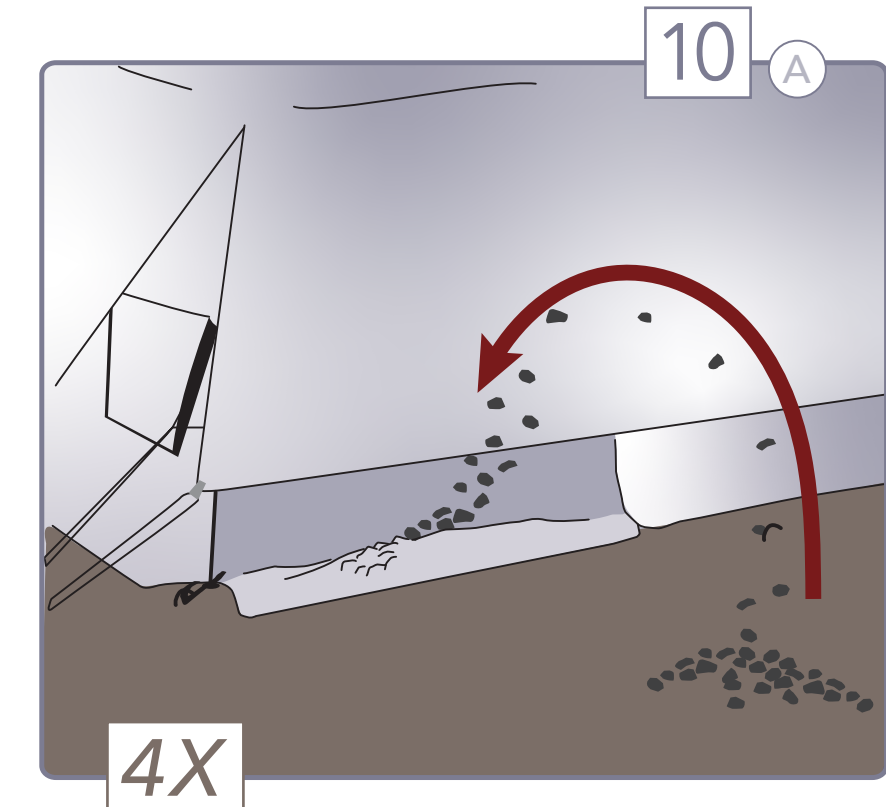
B) Fix the internal straps to the velcro on the tunnels of the main tent.



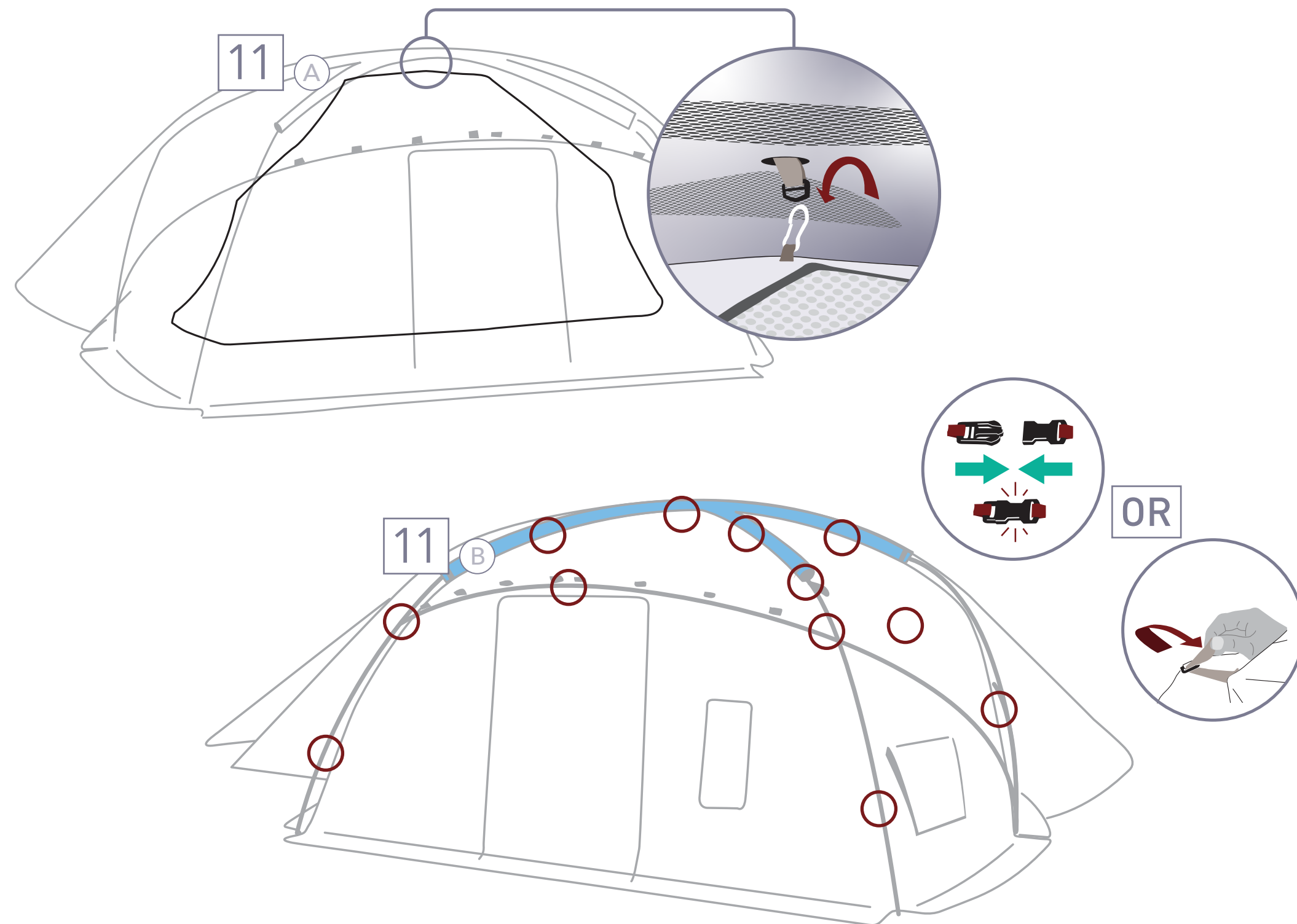
C) fix the endings to the pre-fixed pegs.



10 Weigh down the edges of the tent by either digging around the tent and then fill with sand, or without digging place aggregate or mud on it:



**11** Inner Tent (Optional) : your tent might come with an inner tent or a sheet for separation inside the tent (*which can be used for privacy and separation inside the tent*), fix the inner tent as below:



## FIRE SAFETY AWARENESS:

- The tent is flame retardant such that it allows 4 minute evacuation points. Keep exits free of belongings for ease of access.
- Avoid cooking and open flame inside a tent. If cannot avoid cooking or heating inside tent, keep flame contained and away from walls.
- Always maintain some ventilation, especially when heating or cooking indoors.
- Do not lock doors when people are inside the tent

The tents will come with repair kits that can be used to do small maintenance for the tent. The tents have digital locks for all doors, can be used for privacy and protection.