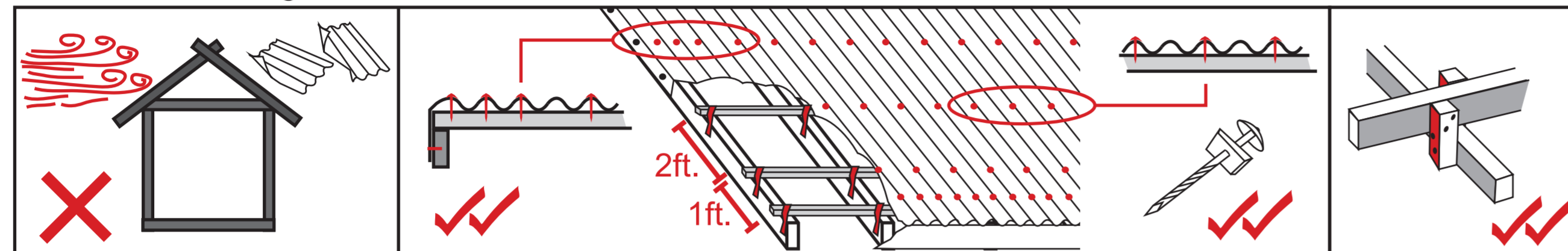
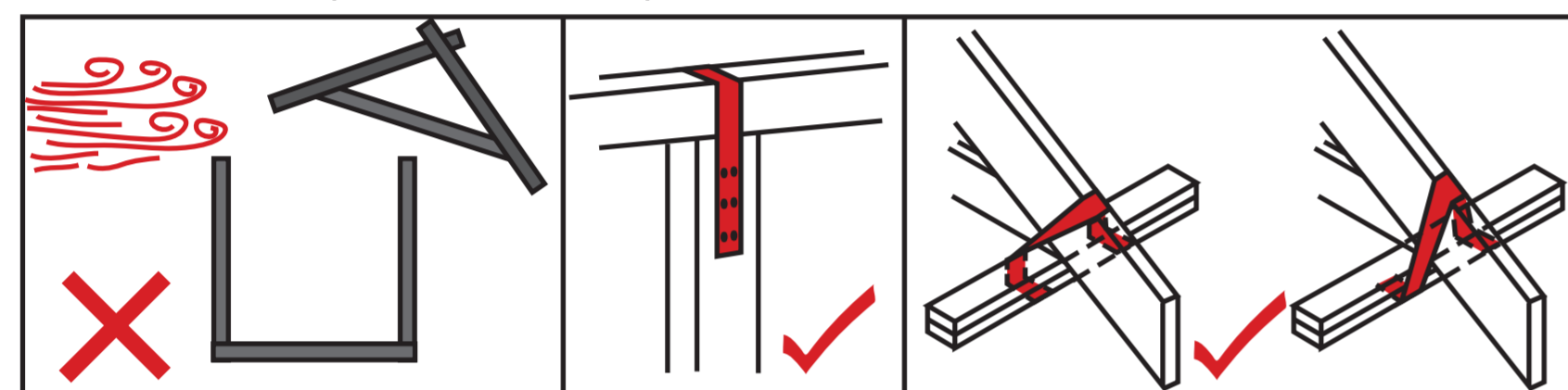


TIPS TO BUILDING BACK SAFER

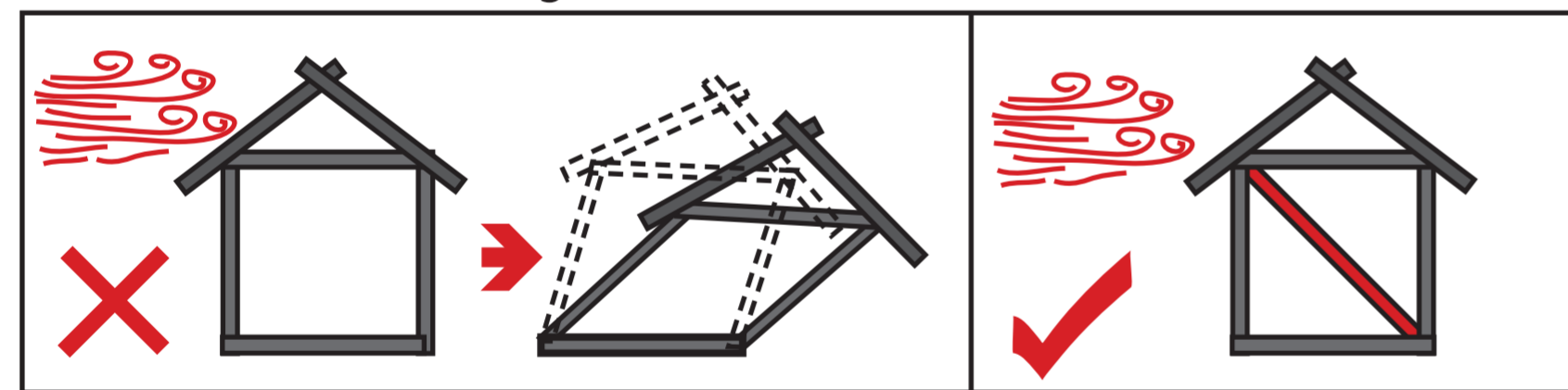
PAG-ATOP (Roofing)



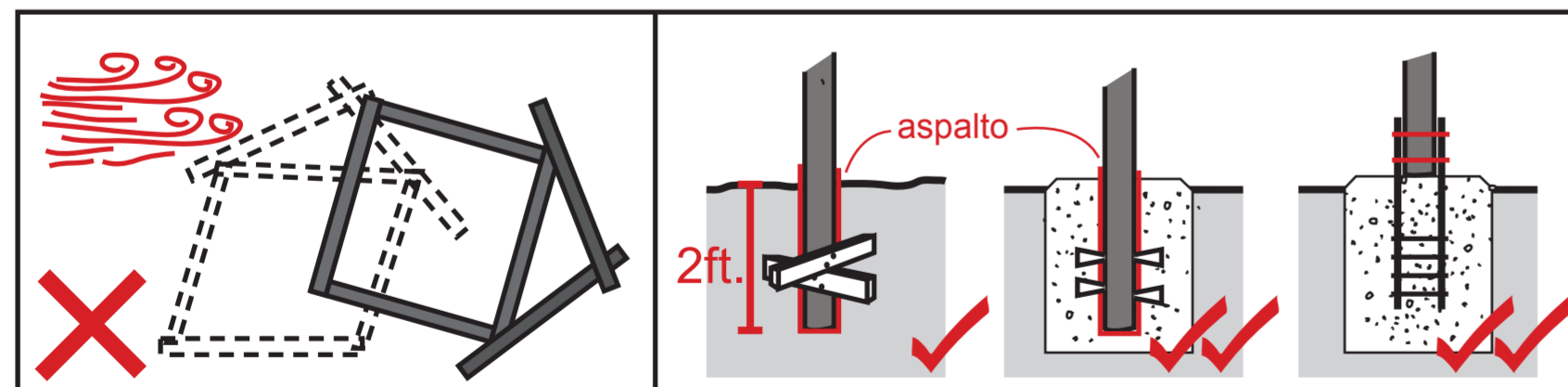
PAGSUMPAY (Connections)



PAG-PADIG-ON (Bracing)



PAGPUNDASYON (Foundation)



PURTAHAN
NGAN BINTANA
(Doors and Windows)

