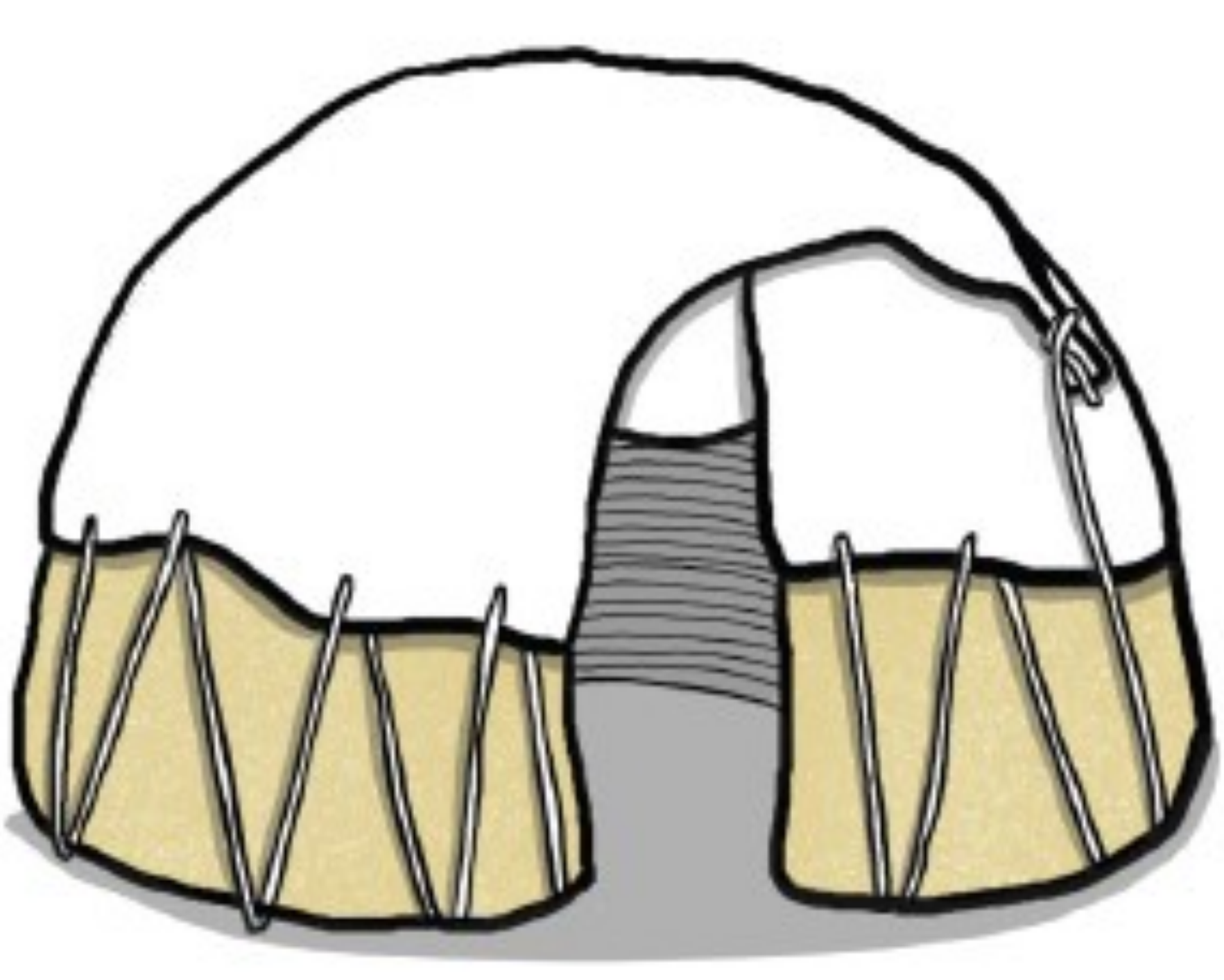


# ISKU-HABAYNTA BACAHA

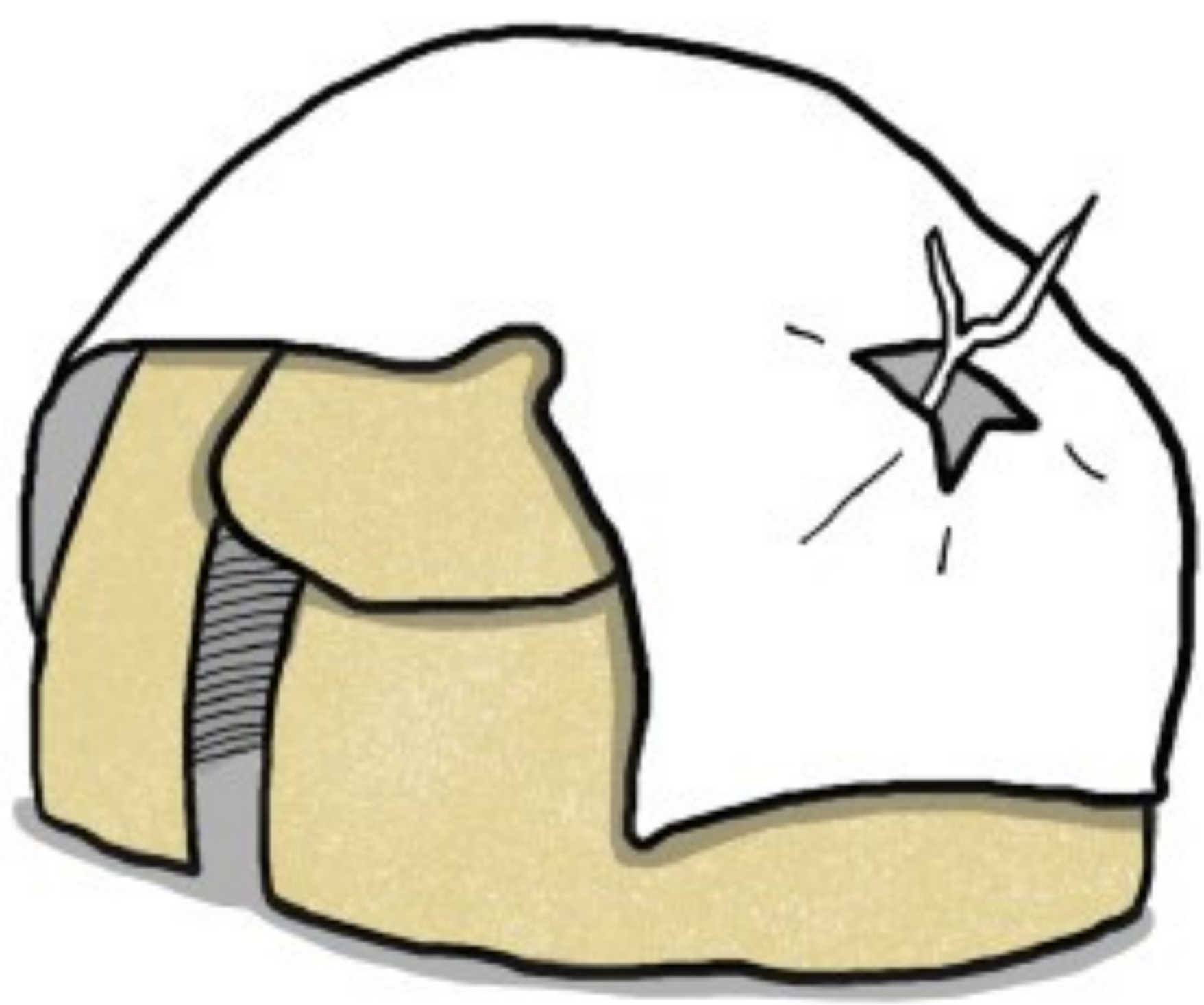
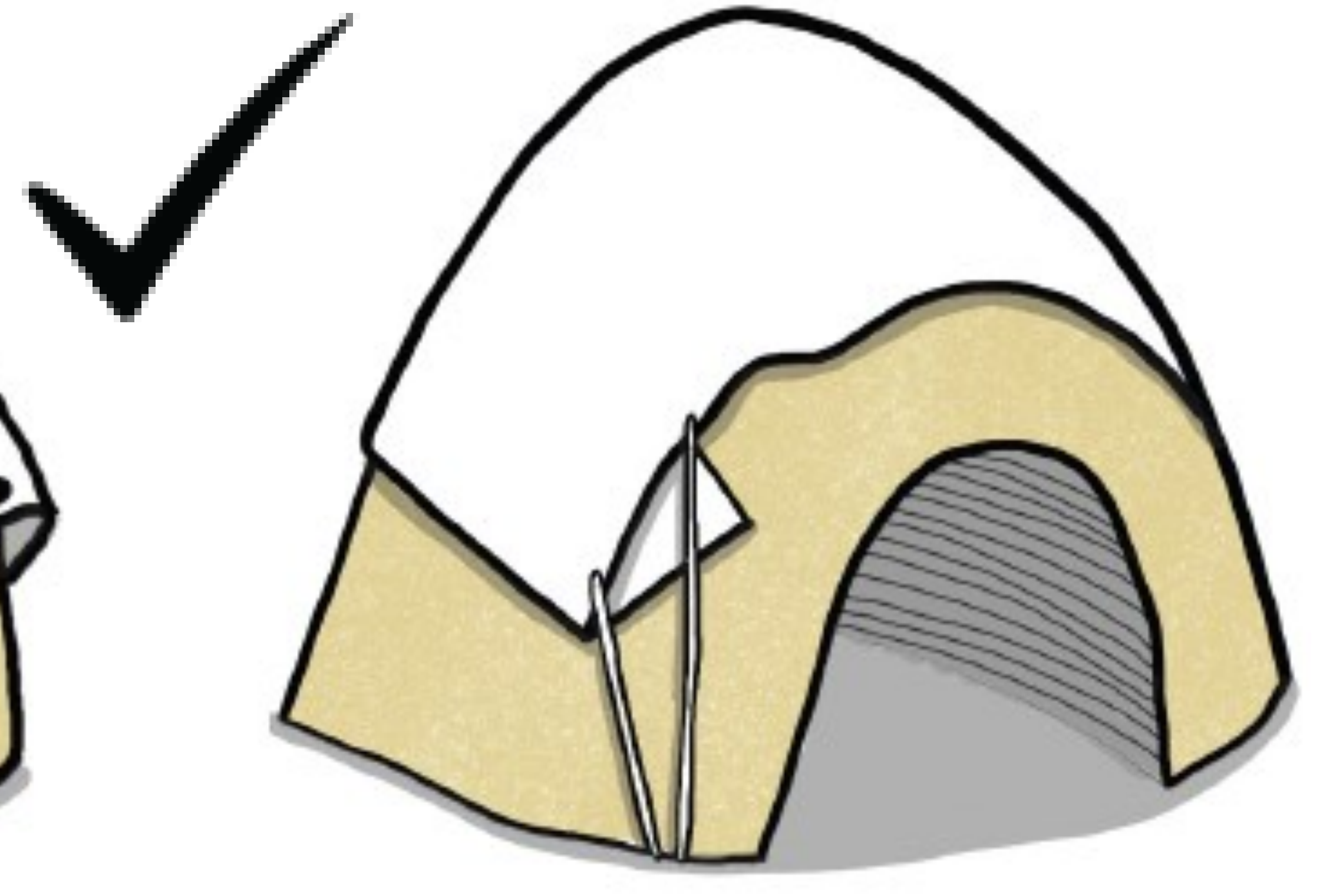
**BACDA (PLASTIC SHEET) WAXAA LOO ISTICMAALI KARAA IN LA SAARO HOYGA KU MEEL GAARKA AH (EMERGENCY SHELTER)**



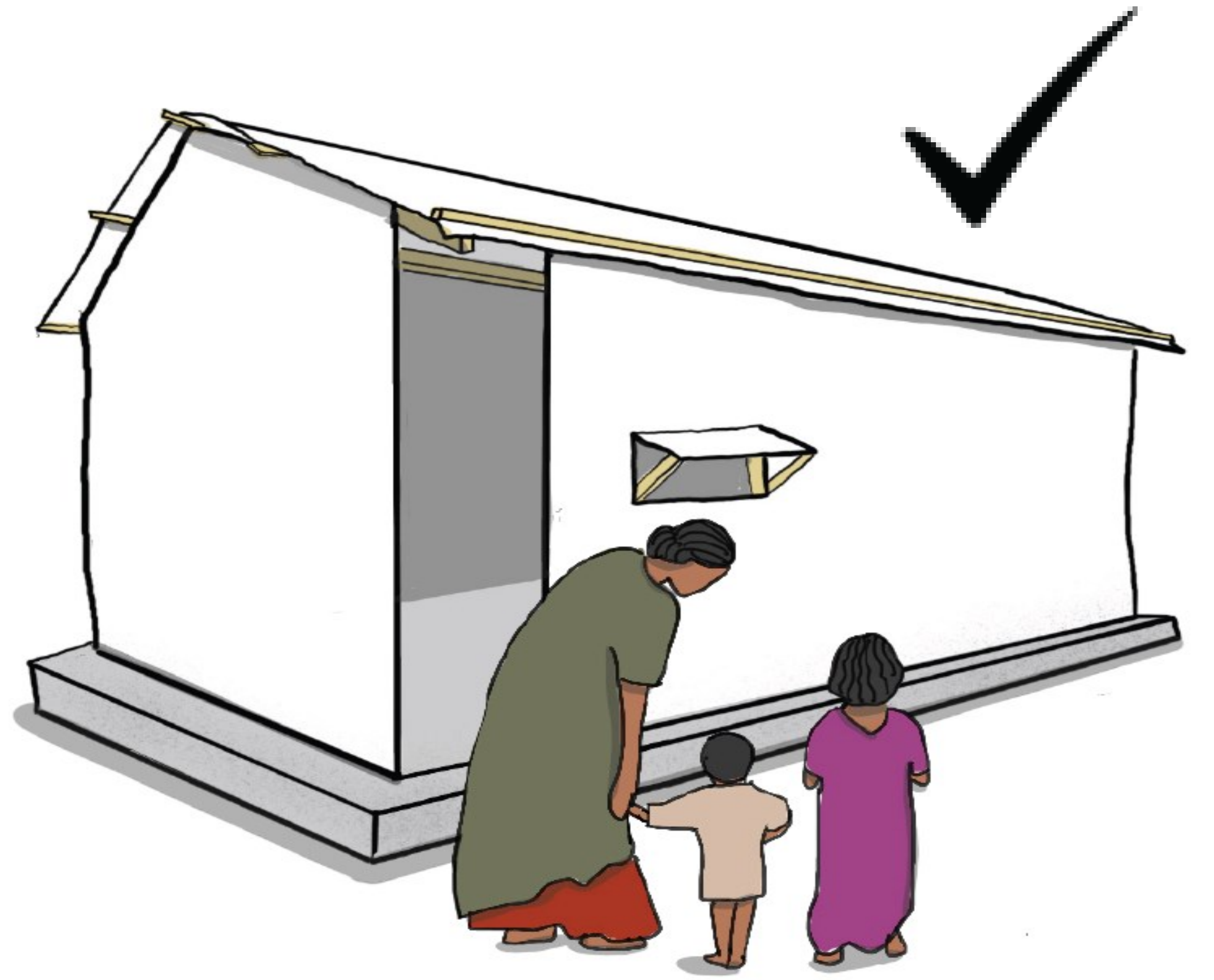
Ka adkee bacda (plastic sheet) dhowr meel oo kamid ah qaybta adag ee bacda (Reinforcement band)



Xadhigga saar bacda dusheeda Kaddibna ku adkee dhulka

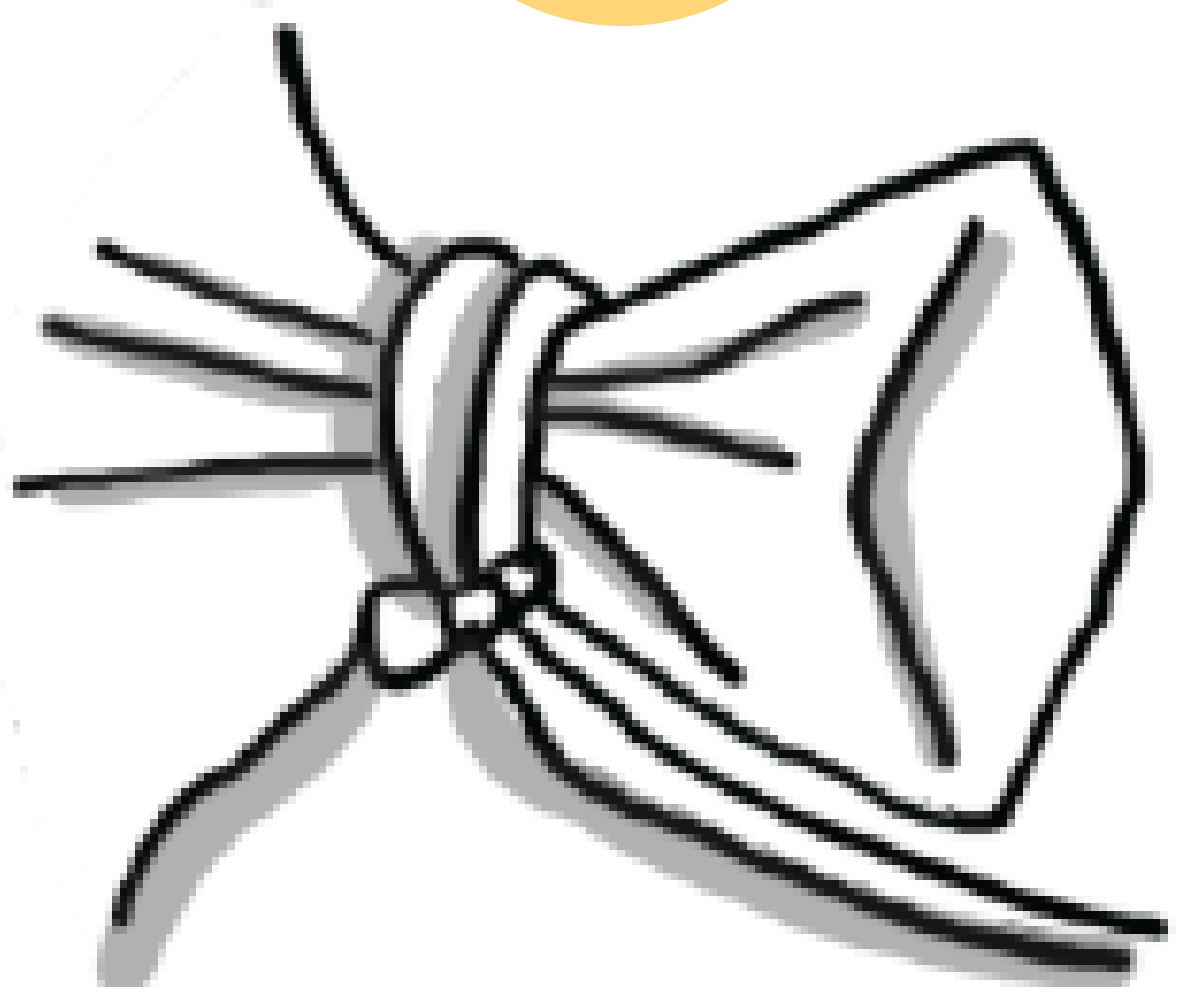


Ka ilaali bacda (plastic sheet) wax kasto oo mudi karo, tani waxey sababi kartaa in bacdu dilaacdo



**Bacdu waa in loo xiro ama loo hagaajiyo si adag. Xarig ayaa loo isticmaalaa bacda (plastic sheet) in loogu hagaajiyo siyaabo kala duwan**

1



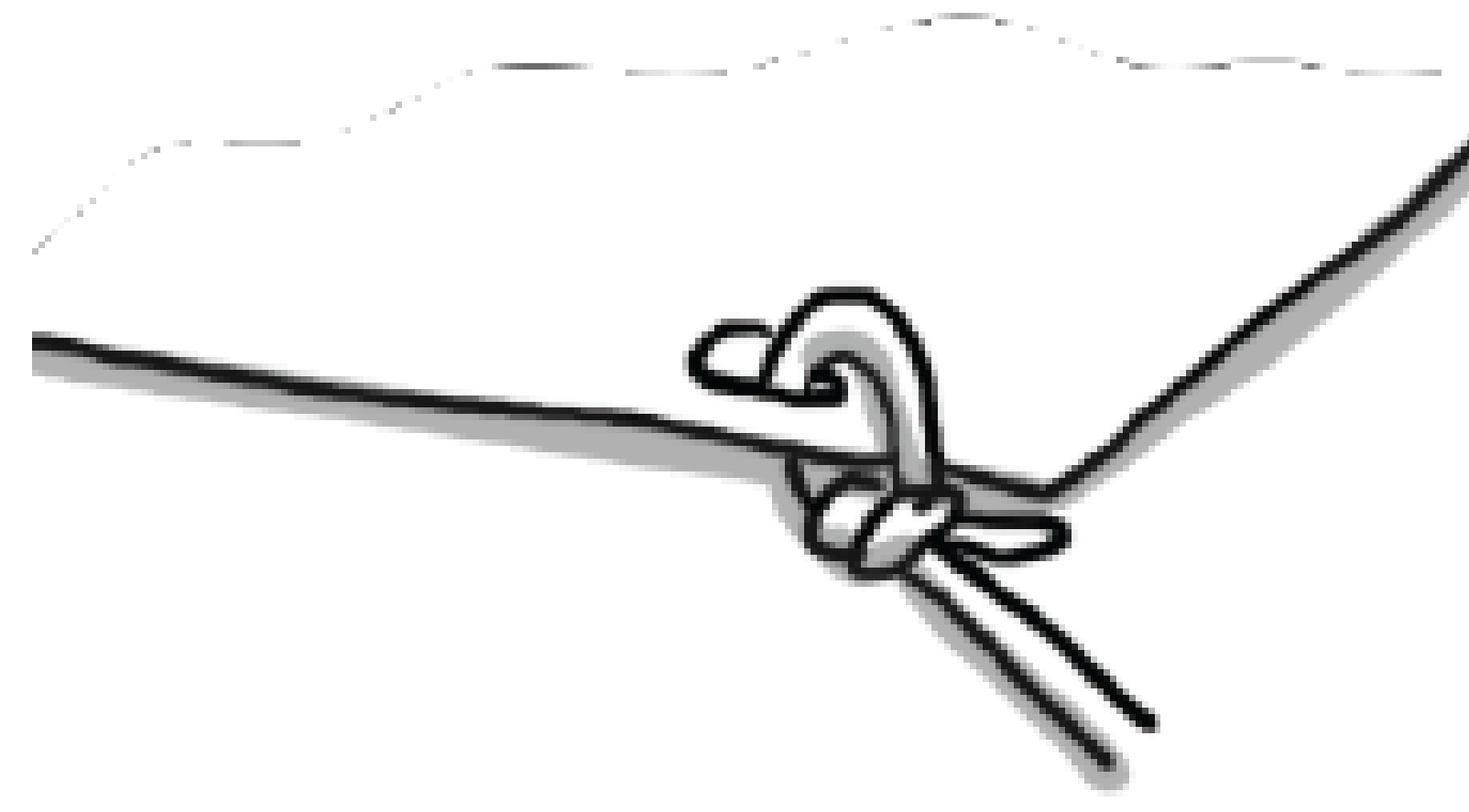
Dhagax gali gudaha bacda (plastic sheet)

2



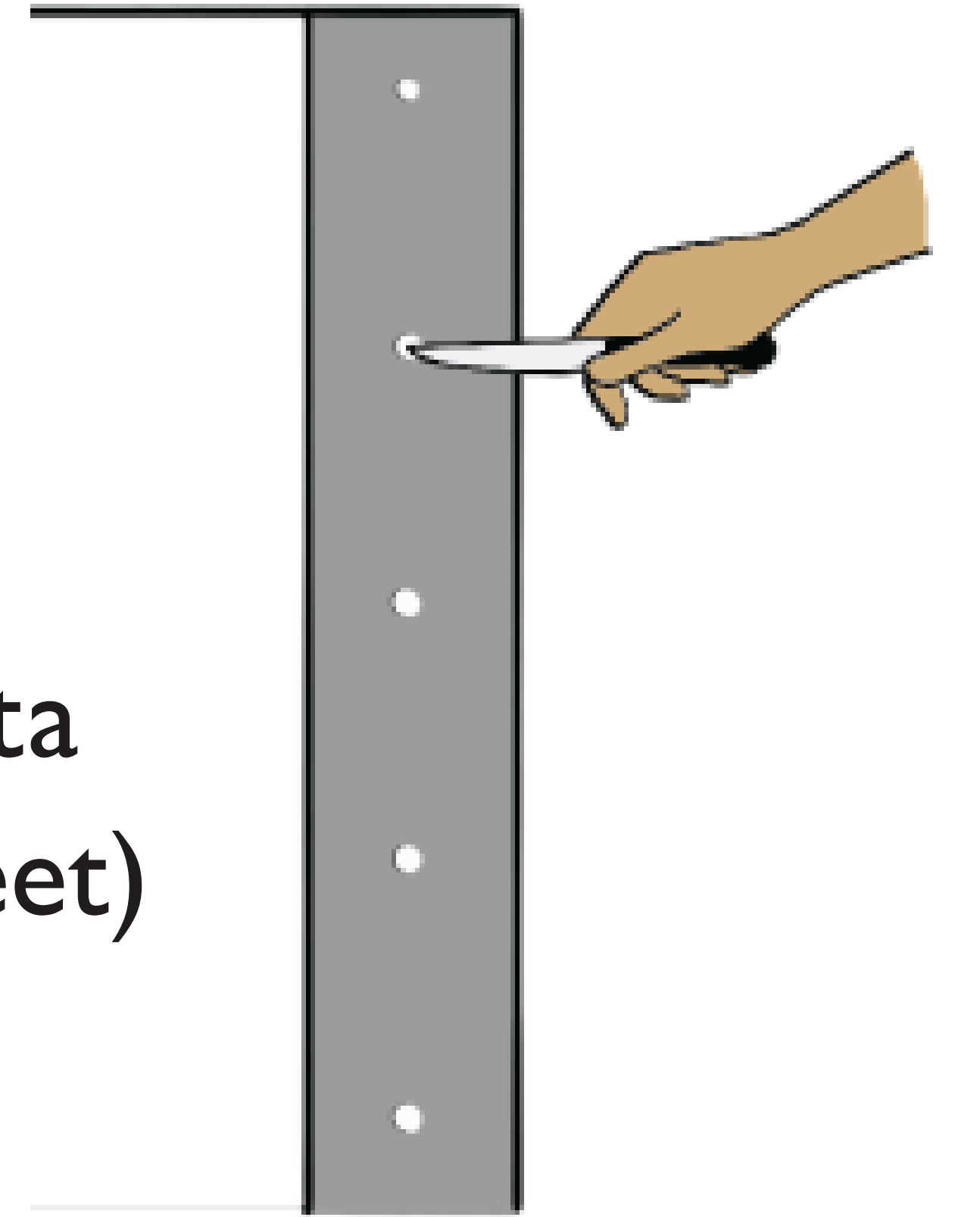
Ku xidh xadhiga gudaha

3



Ama xadhigga gali qaybta adag ee bacda (plastic sheet)

4

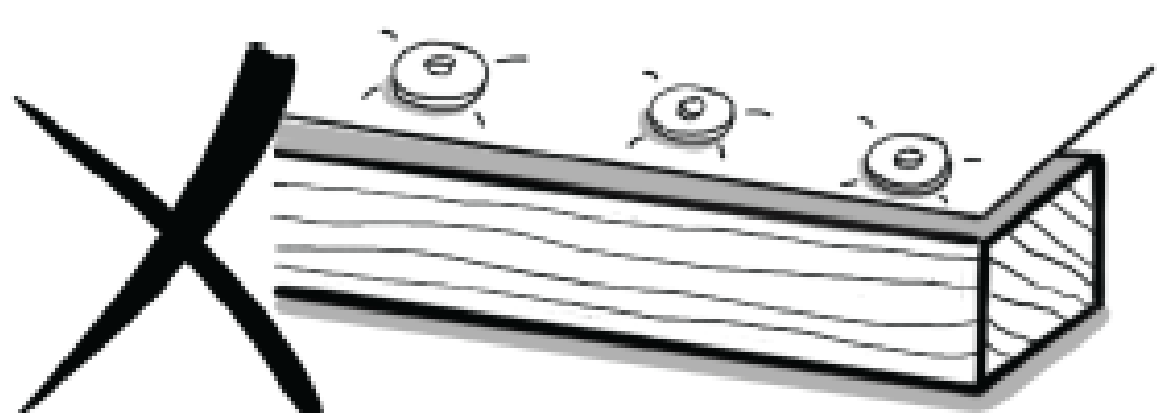


**Bacda (plastic sheet) waxey leedahay qaybo adag (reinforcement band) kuwaas oo loo isticmaali karo in si wanaagsan loogu hagaajiyo bacda**

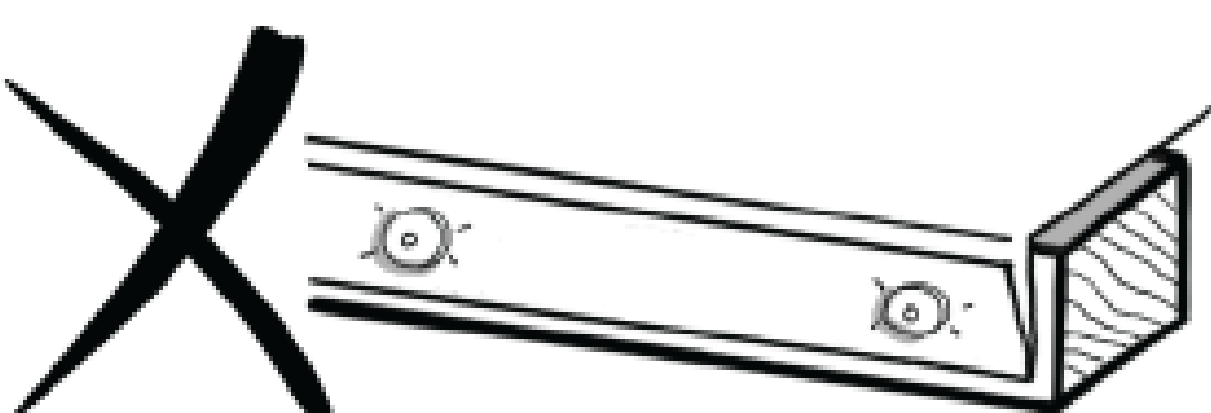
**HADDII AAD ISTICMAALEYSO MASAAMIIR (NAILS) SI AADBACDA UGU ADKEYSO**

**HA SAMEYN**

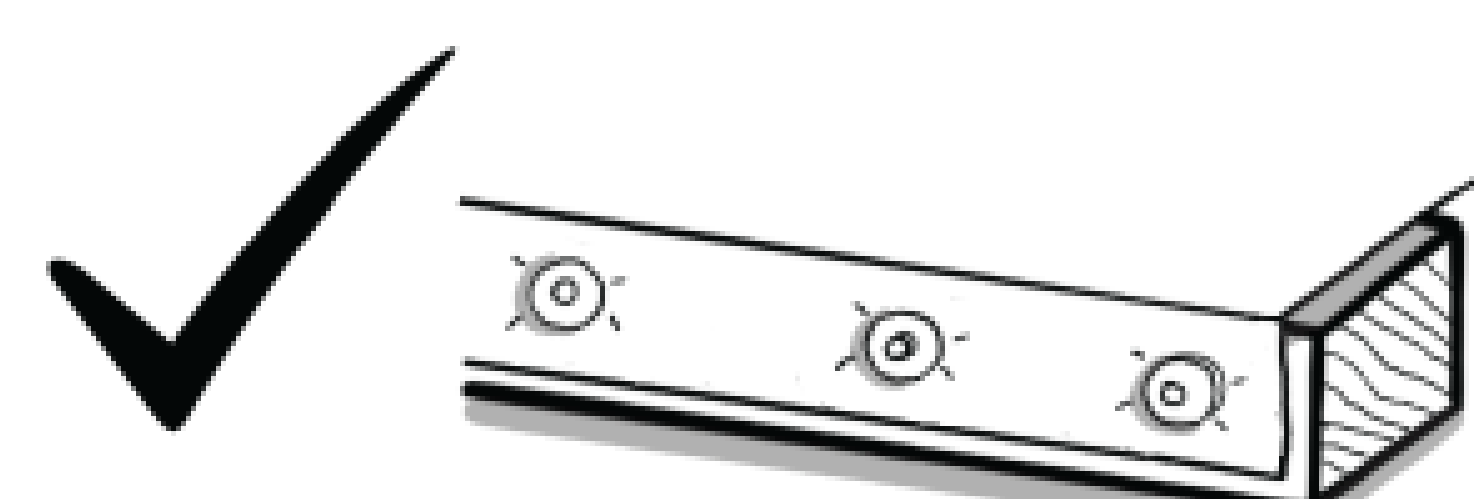
Haku dhejin meel udhow Bacda geeskeeda



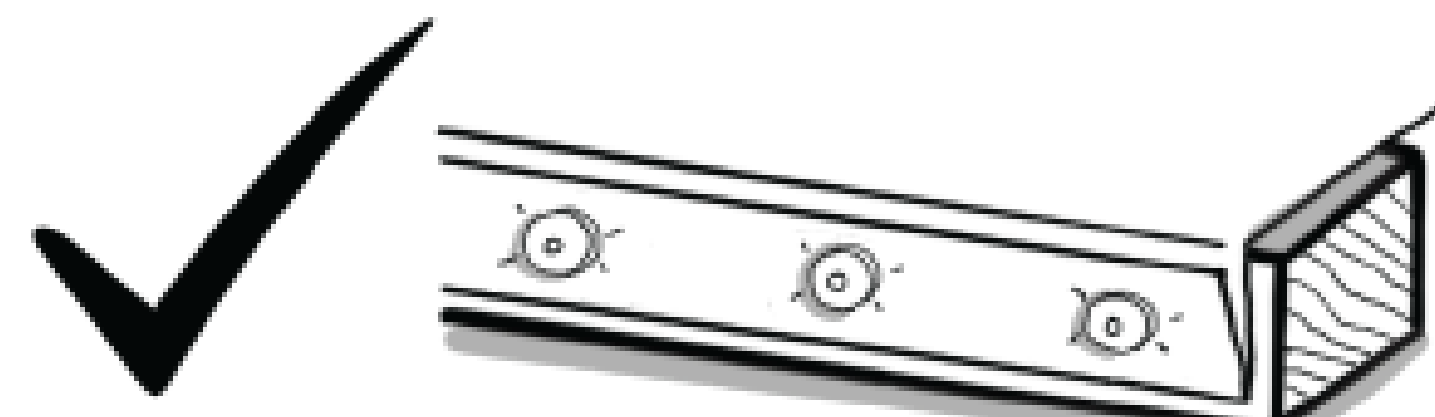
Ha kala fogeyn



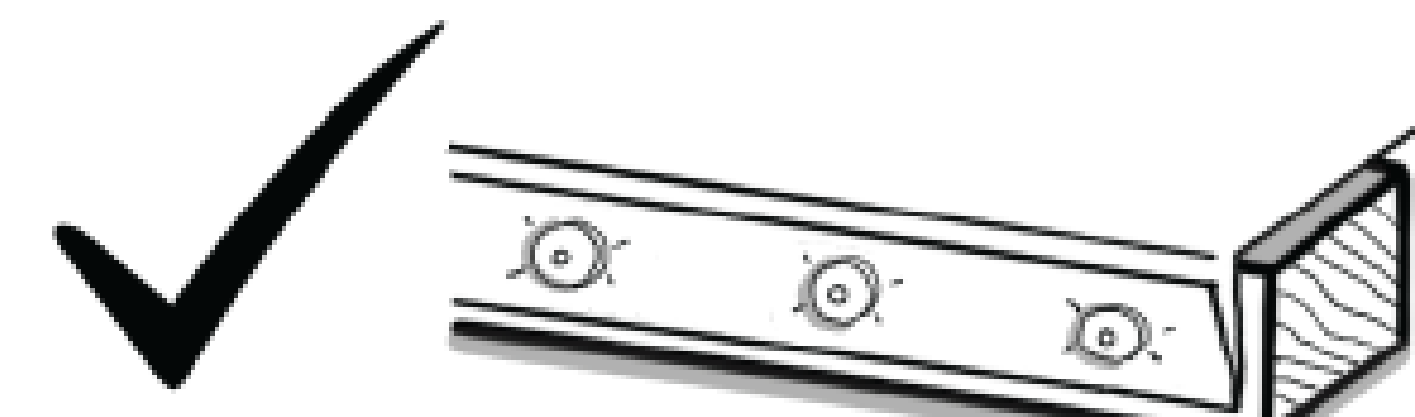
**SAMEE**



Ku laab alwaax ka hor inta aadan



Haddii aad awoodo, kuduub bacda



Udhexeysii, 6"-12" qayb