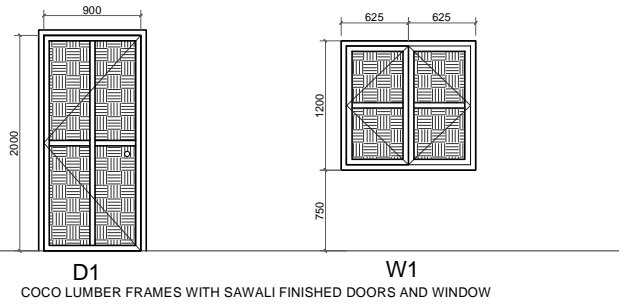
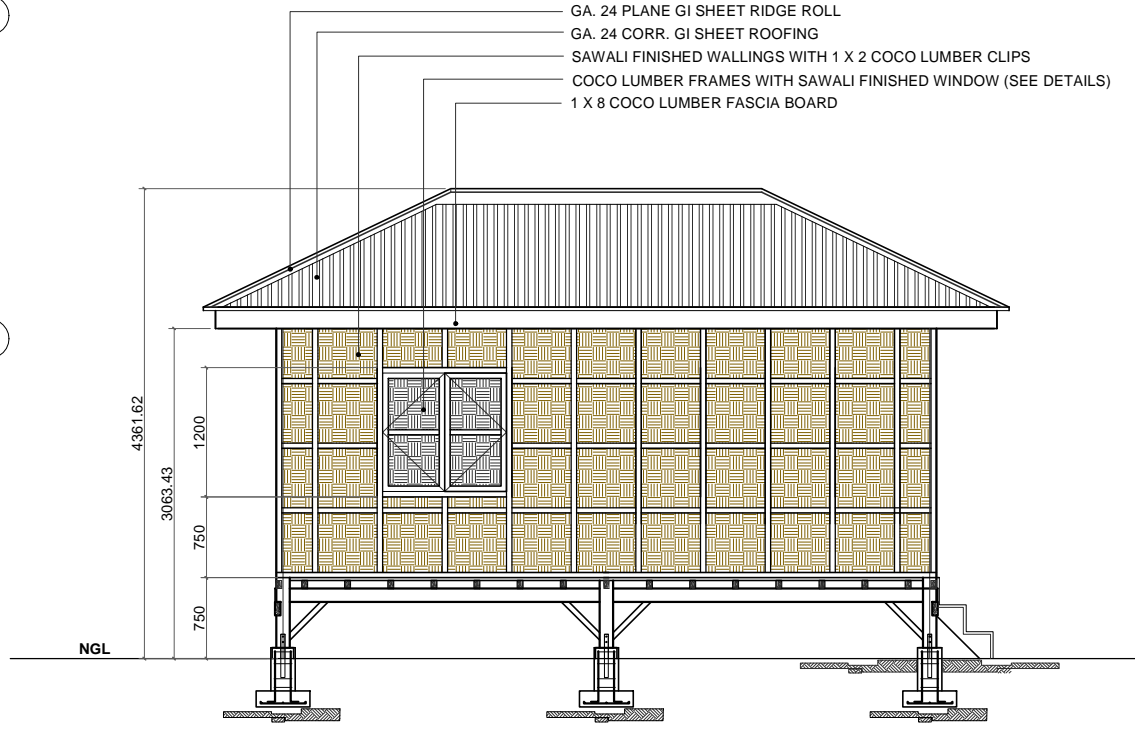


**1 FLOOR PLAN**  
A-1 SCALE 1 : 50



**3 SCHEDULE OF DOORS AND WINDOWS**  
A-1 SCALE 1 : 50

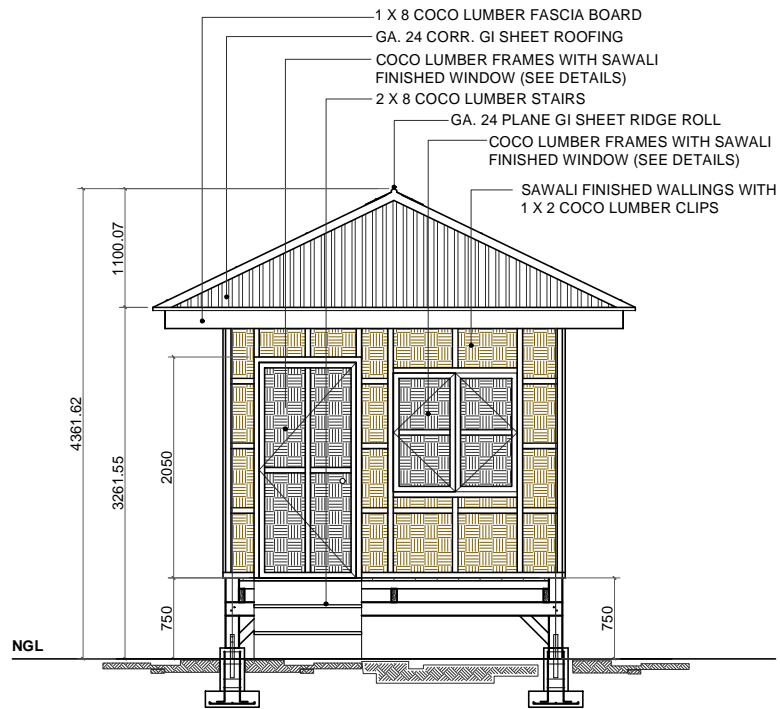


**2 SIDE ELEVATION**  
A-1 SCALE 1 : 50

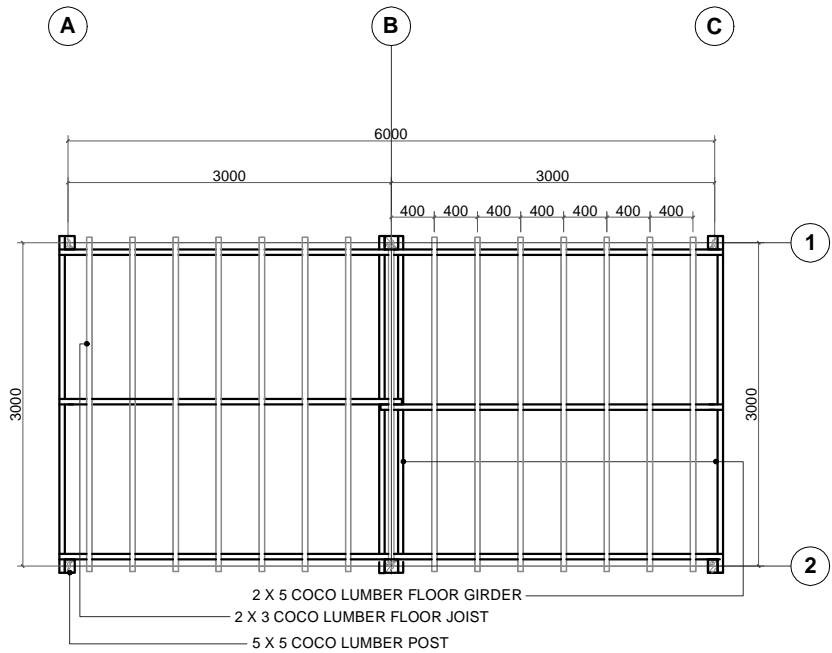


**ICRC**

PREPARED BY:	NAME OF PROJECT:	SHEET CONTENT:	SHEET NO.
APPROVED BY:	<b>PROPOSED SHELTER</b>	FLOOR PLAN SIDE ELEVATION SCHEDULE OF DOORS AND WINDOWS	<b>A-1</b>
	PROJECT LOCATION: BAGANGA, DAVAO ORIENTAL		



1 **FRONT ELEVATION**  
 A-2 SCALE 1 : 50



2 **FLOOR FRAMING PLAN**  
 A-2 SCALE 1 : 50



ICRC

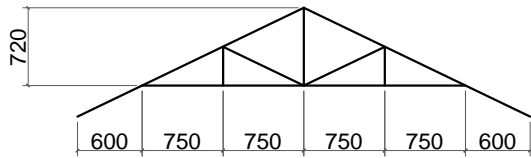
PREPARED BY:	
APPROVED BY:	

NAME OF PROJECT:	PROPOSED SHELTER
PROJECT LOCATION:	BAGANGA, DAVAO ORIENTAL

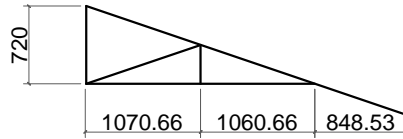
SHEET CONTENT:	FRONT ELEVATION FLOOR FRAMING PLAN
----------------	---------------------------------------

SHEET NO.	A-2
-----------	-----

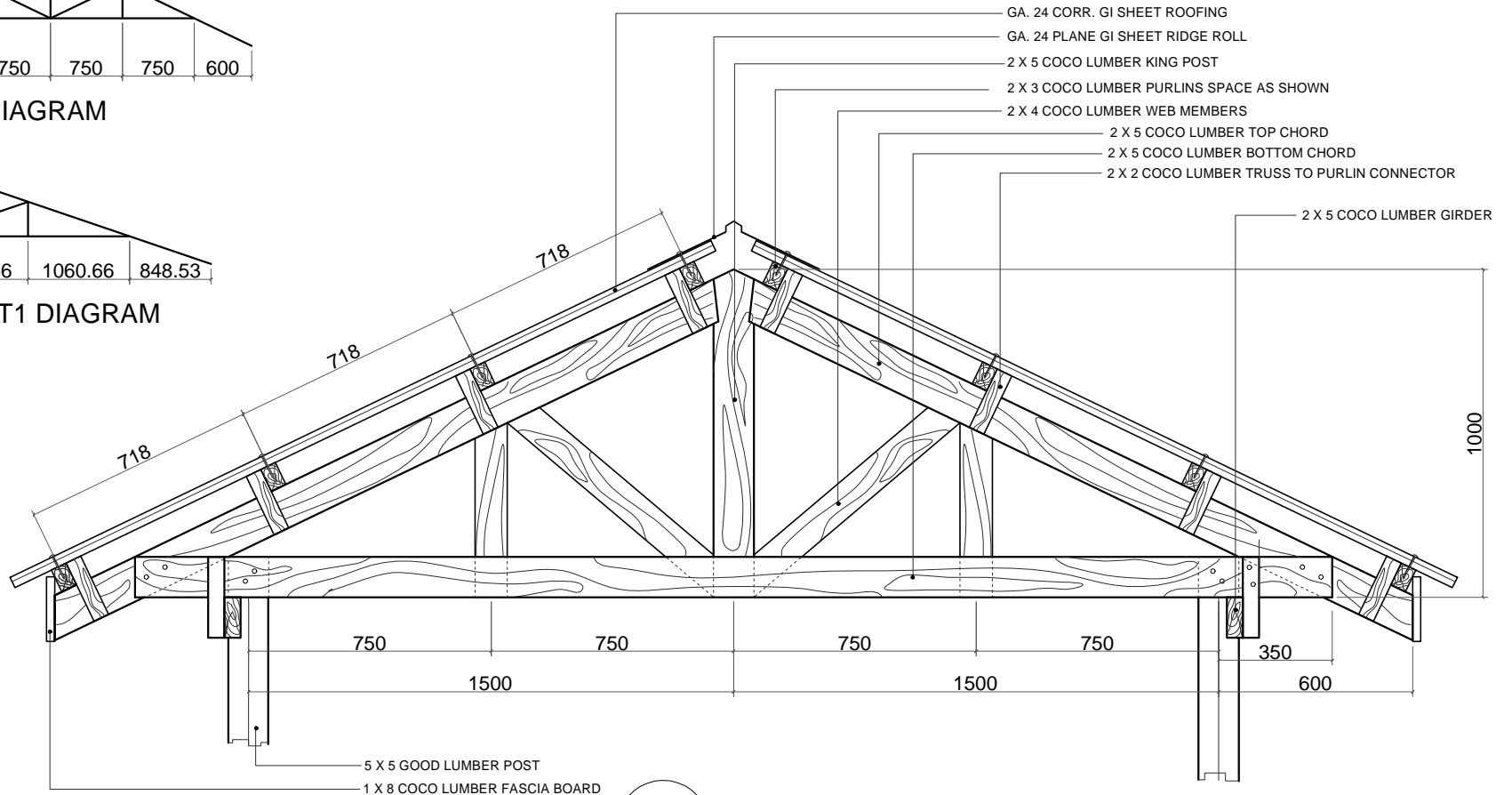




T1 DIAGRAM



HT1 DIAGRAM



- GA. 24 CORR. GI SHEET ROOFING
- GA. 24 PLANE GI SHEET RIDGE ROLL
- 2 X 5 COCO LUMBER KING POST
- 2 X 3 COCO LUMBER PURLINS SPACE AS SHOWN
- 2 X 4 COCO LUMBER WEB MEMBERS
- 2 X 5 COCO LUMBER TOP CHORD
- 2 X 5 COCO LUMBER BOTTOM CHORD
- 2 X 2 COCO LUMBER TRUSS TO PURLIN CONNECTOR
- 2 X 5 COCO LUMBER GIRDER

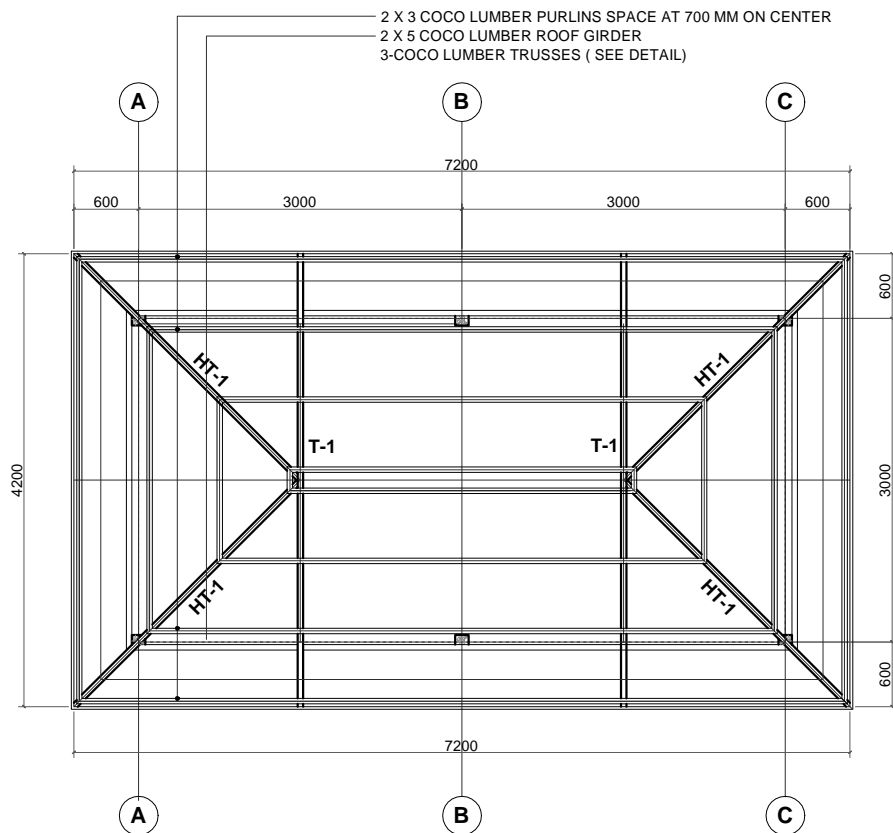
- 5 X 5 GOOD LUMBER POST
- 1 X 8 COCO LUMBER FASCIA BOARD

**1** TRUSS DETAIL  
S-3 SCALE 1:50

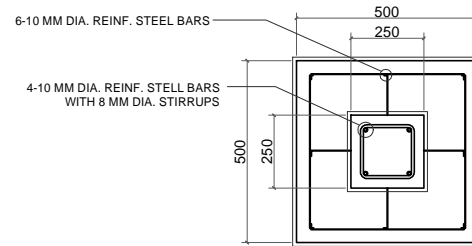


ICRC

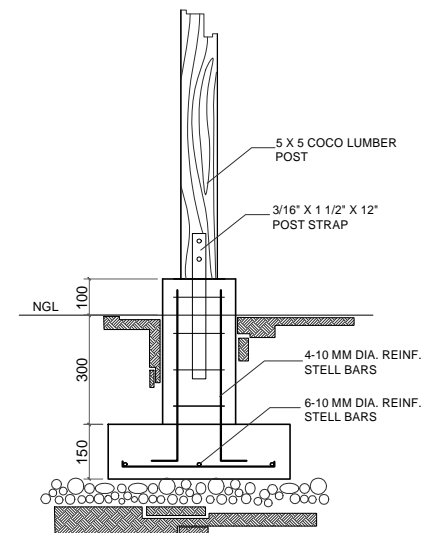
PREPARED BY:			SHEET CONTENT:	SHEET NO.
APPROVED BY:			TRUSS DETAIL	S-3
		PROJECT LOCATION: BAGANGA, DAVAO ORIENTAL		



1  
S-2  
**ROOF FRAMING PLAN**  
SCALE 1 : 50



**PLAN**



**ELEVATION**

2  
S-2  
**PEDESTAL/FOOTING DETAIL**  
SCALE 1 : 50



**ICRC**

PREPARED BY:	
APPROVED BY:	

NAME OF PROJECT:	<b>PROPOSED SHELTER</b>
PROJECT LOCATION:	BAGANGA, DAVAO ORIENTAL

SHEET CONTENT:	ROOF FRAMING PLAN PEDESTAL/FOOTING DETAIL
----------------	--

SHEET NO.	<b>S-2</b>
-----------	------------