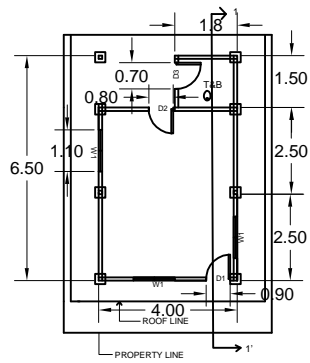
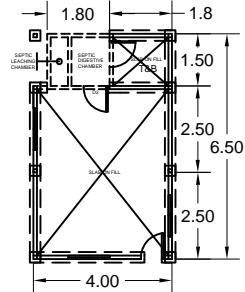


CONSTRUCTION PLAN



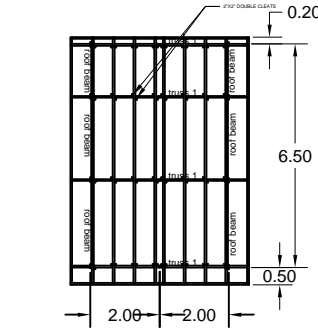
FLOOR PLAN

SCALE 1:200 METERS



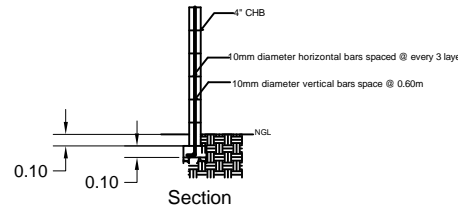
FOUNDATION PLAN

SCALE 1:200 METERS



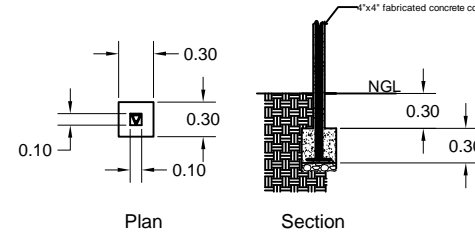
ROOF FRAMING PLAN

SCALE 1:200 METERS



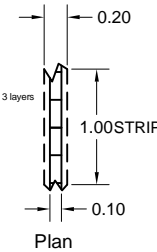
WALL FOOTING DETAIL

SCALE 1:60 METERS

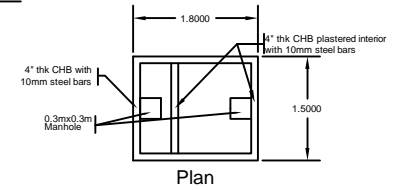


FOOTING DETAIL

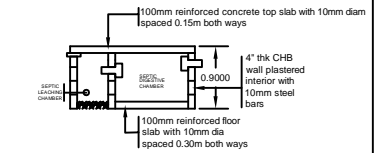
SCALE 1:60 METERS



Plan



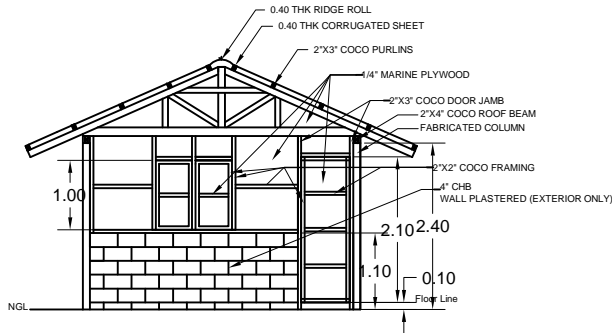
Plan



Section

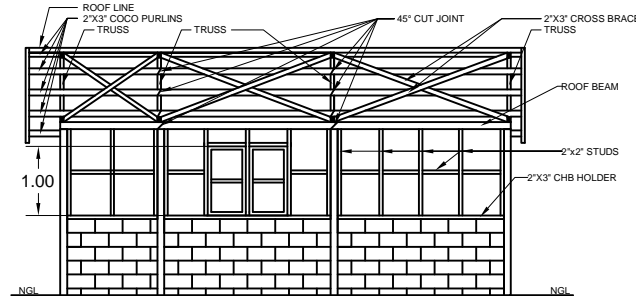
SEPTIC TANK DETAIL

SCALE 1:100 METERS



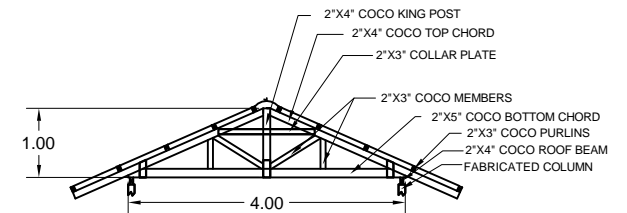
FRONT ELEVATION

SCALE 1:100 METERS



LONGITUDINAL SECTION 1-1'

SCALE 1:100 METERS



TRUSS DETAIL

SCALE 1:100 METERS

MIXING:

CONCRETE - 1:2&1/2:5
MASONRY - 1:4
PLASTERING - 1:2&1/2:12

PREPARED BY:	SIGNED BY:	PROJECT: PROPOSED RED CROSS	BENEFICIARY:	SHEET NO.:
		TRANSITIONAL SHELTER		
ENGR. REMUEL T. OPMOC	ENGR. RONALDO N. MADRIAGA	LOCATION:		
IFRC(REDCROSS)-SHELTER ENGINEER	CIVIL ENGINEER / MASTER PLUMBER		NAME OF OWNER	