

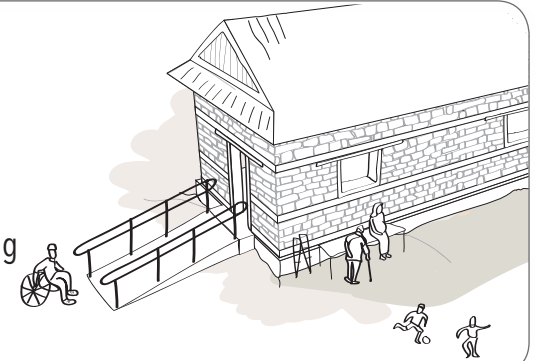


SAFE AND ACCESSIBLE SHELTER FOR ALL.

For an accessible and inclusive shelter, the community, including the beneficiaries of shelter need to be involved and consulted throughout the process of reconstruction.

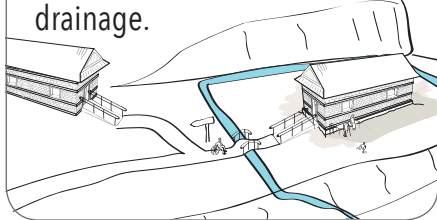
ACCESSIBLE SHELTER

Accessible shelter means that it can be used by ALL. People of all ages (including elderly and children) and abilities should be involved in identifying safety risks, required adaptations and improvements that can be made.



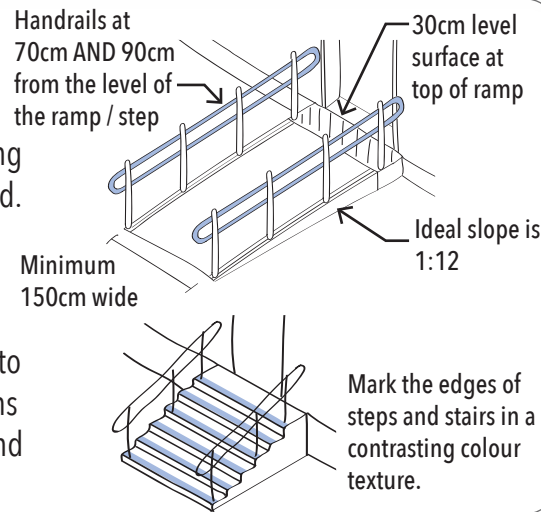
LOCATION

Provide clear flat, accessible pathways between the shelter, road, water / sanitation / hygiene facilities and the community. Ensure there is adequate surface drainage.



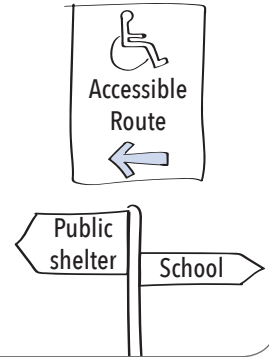
ENTRANCE

Ramps are required when the entrance of the building is not level with the ground. Handrails are needed on both sides of the ramp/ stairs at both 70cm and 90cm from the step level, to provide support for persons with difficulties walking and seeing.



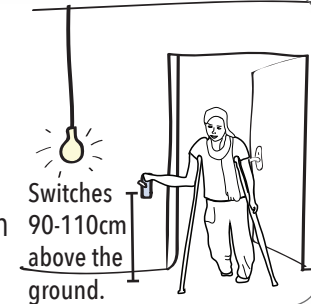
CLEAR SIGNAGE AND INFORMATION

Ensure adequate and accessible signage, especially for public sites and shelters. Signs should be easily understood, and individuals should know who to contact for corrections, feedback or complaints.



LIGHTING

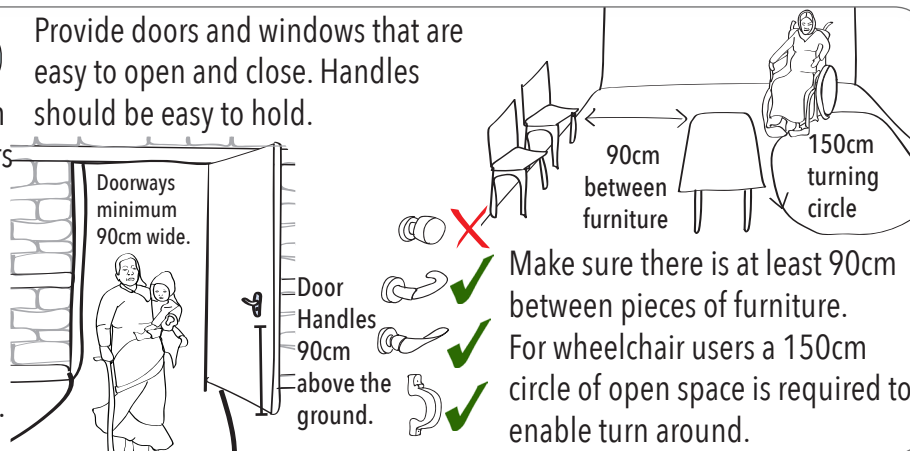
Use bright lighting in and around the shelter, especially near pathways leading to water, sanitation and hygiene facilities.



DOORS AND WINDOWS

Doorways should be at least 90cm wide with no thresholds or barriers on the ground. They should open outwards to facilitate quick exit in the case of emergency. Entrances should have a contrasting colour at the entrance of the shelter for persons with difficulties in seeing.

Provide doors and windows that are easy to open and close. Handles should be easy to hold.



Make sure there is at least 90cm between pieces of furniture. For wheelchair users a 150cm circle of open space is required to enable turn around.

SAFE & ACCESSIBLE SHELTER FOR ALL DRAFT - 05/APR/2016

LOGOS TBC