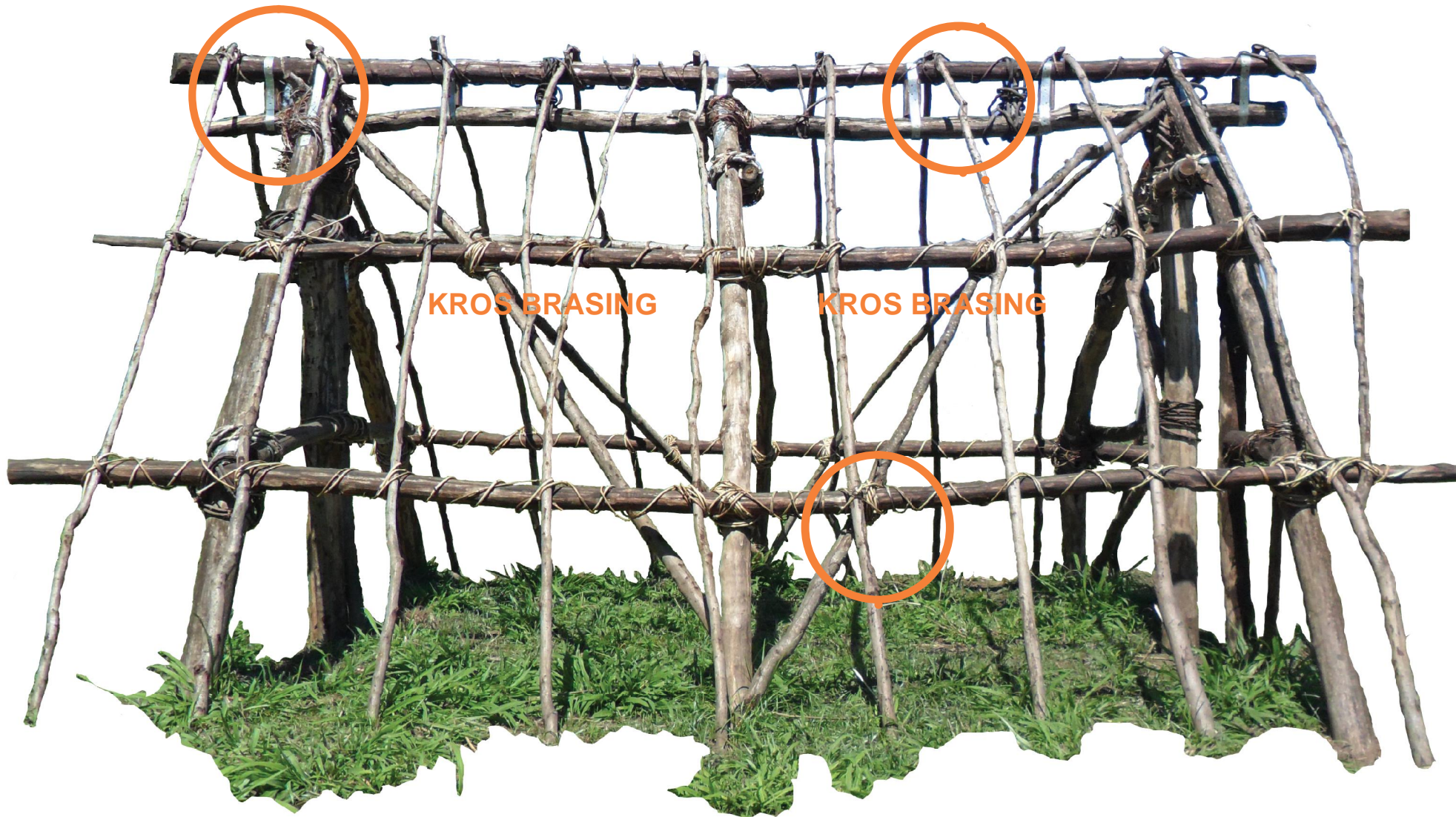
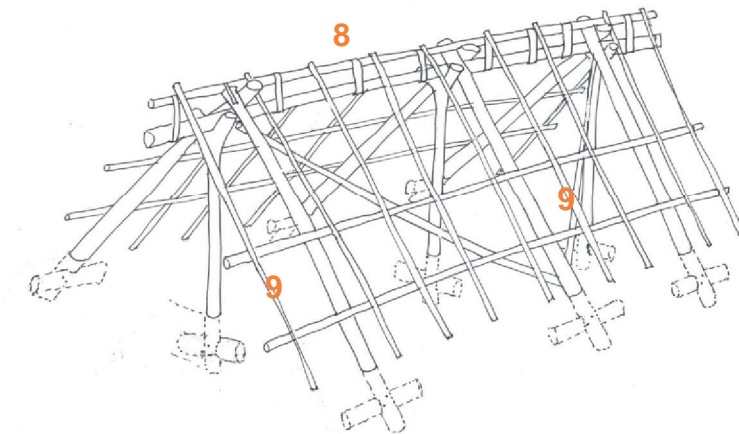
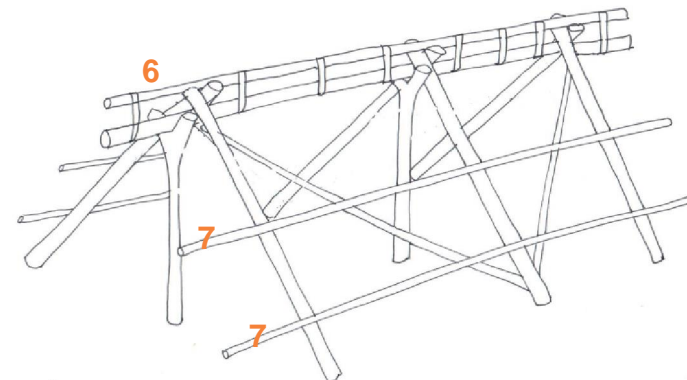
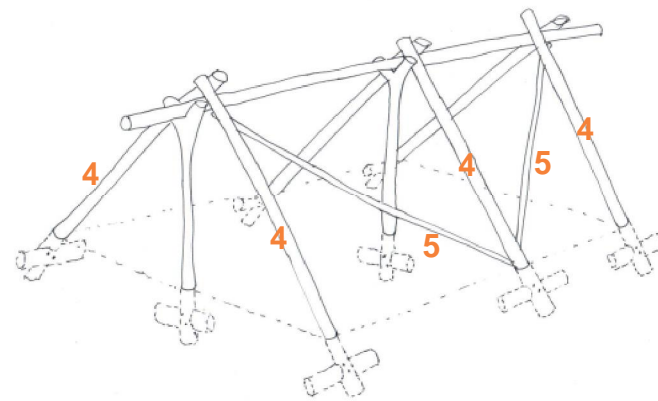
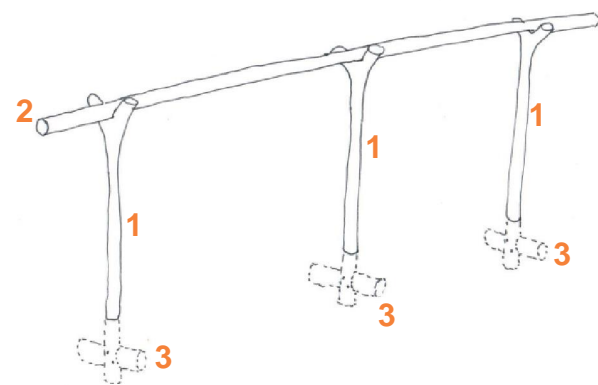




FIXIM CONECTEM



FIXIM CONECTEM



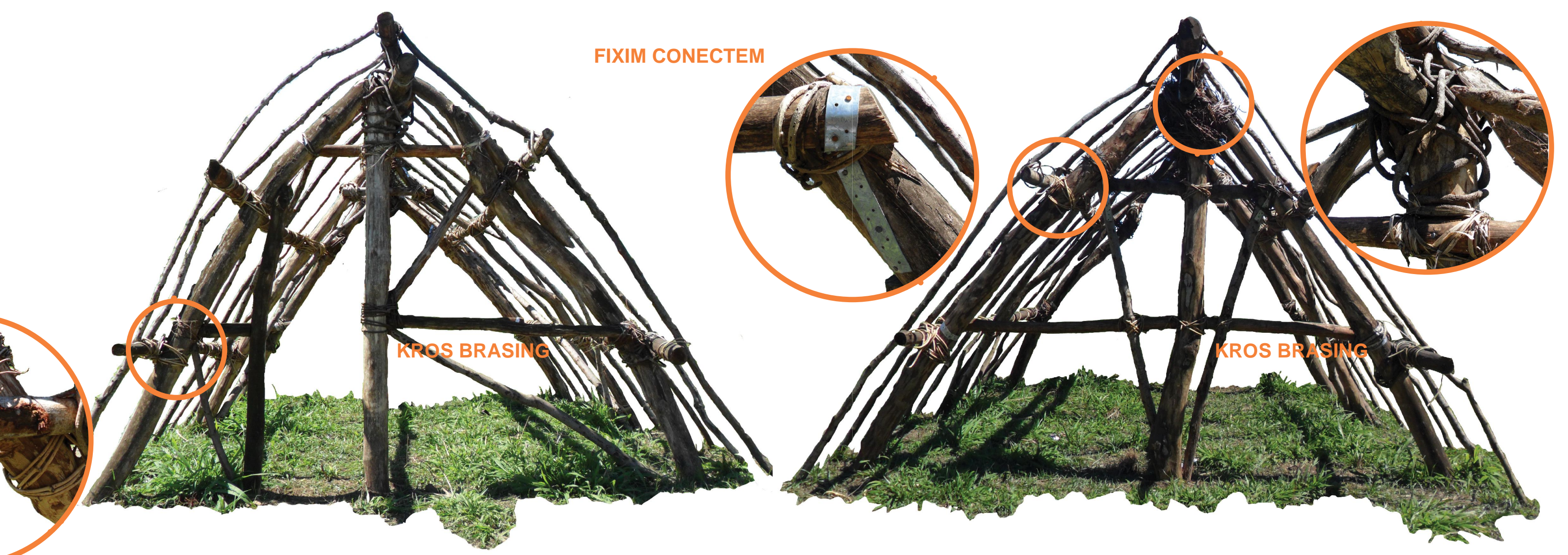
- 1 FOK
- 2 REL (TOP)
- 3 FAONDESEN

- 4 ANKA
- 5 KROS BRASING

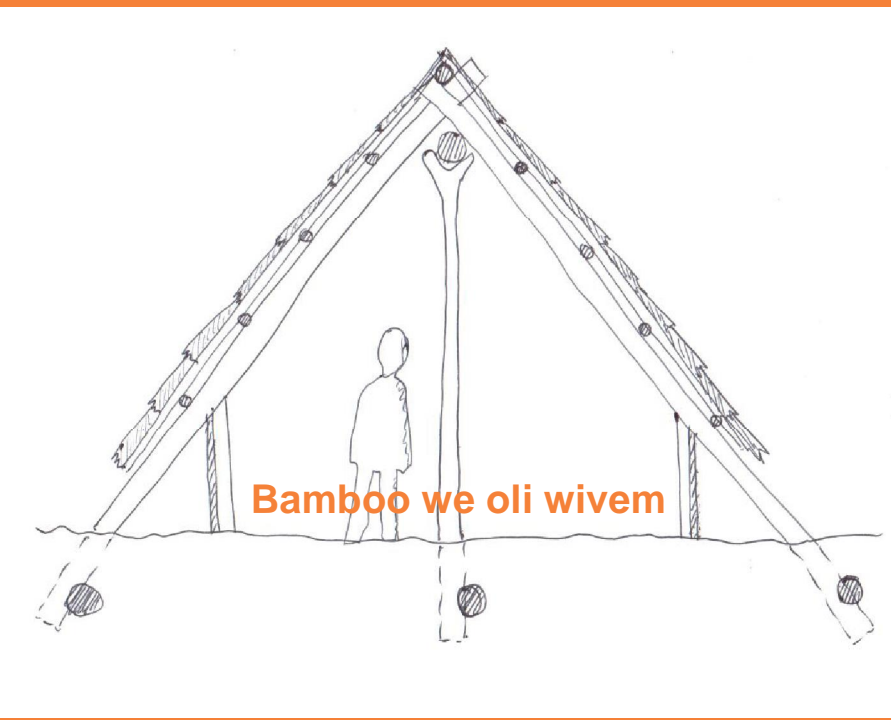
- 6 SAPOTING REL
- 7 SAED REL

- 8 SAEKLON STRAP
- 9 RAFTA

# \* LESENS BLONG TANNA KASTOM HAOS \*



- \*LOCATION PLES
  - \*KROS BRASING
  - \*FIXIM CONECTEM
  - \*FAONDESEN
- 
- TYING ROP
  - \*VOLKANO ROP
  - \*BUSH ROP
- 
- RUFING PLAN
  - \*RID
  - \*BAMBOO
  - \*PANDANUS
  - \*PAM FRON



# \* LOCATION \* KROS BRASING \* FIXIM CONECTEM \* FAONDESEN \*