



Shelter Compendium

Collection of messages and images

On Fixing Tarpaulin

Contents

Introduction

- i. About this document
- ii. Things to consider

Fixing Tarpaulin

- T01. Fixing tarpaulin to rope
- T02. Fixing tarpaulin to wood
- T03. Fixing tarpaulin to bamboo
- T04. Fixing tarpaulin to ground
- T05. Avoid sharp edge
- T06. Keep tarpaulin tight
- T07. Other Key Messages
- T08. Various ways of using tarpaulin

Annex

Copyright of the images

i. About this document

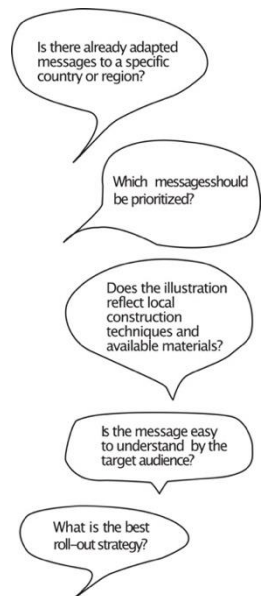
This document provides a compilation of messages and related images that are relevant to the emergency phase of shelter and settlement response. They were compiled from existing country level documents that are available at iec.sheltercluster.org. It intends to be a starting point in the development of contextualized and coordinated Information Education Communication (IEC) materials.

While the collection aims to accelerate the development IEC materials in operations by sharing what has been done already, they are not intended to be used as is. Instead technical staff and working groups are encouraged to choose the messages/images of relevance as a starting point in materials development. Before they are used they must be thoroughly reviewed to ensure that they are in line with policies and that affected communities are engaged in their field testing, further development and evaluation.

A full approach to the development of IEC material is proposed in a publication '**Informing Choice for Better Shelter – IEC development protocol**' prepared by the Promoting Safer Building Working Group of the Global Shelter Cluster. [Available at: <https://www.sheltercluster.org/promoting-safer-building-working-group/protocol-informing-choice-better-shelter>]

ii. Things to consider

- Once the key message is identified, look up sample images in the table below. Prioritize illustrations that match local the context and ensure that the selection of IEC images is driven by local knowledge.
- Check that if there is adapted message/image to the local language or context. Click "Source" to refer the **Shelter Compendium** web page to obtain the original IEC material in respective language.
- Confirm that selected image does not contain materials that are not available/used in target communities. Based on the selected images, adapt/create images when relevant.
- Compile messages and images into 1 or 2 pages, validate them against ease of reading and accessibility by target audience.
- Use the IEC materials as part of a shelter/settlement program. Note that simple distribution of IEC materials has not lead to any behavioural change in many past humanitarian responses. Lessons are that appropriate programming is needed alongside the development and distribution of IEC materials.

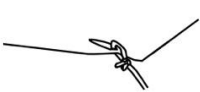

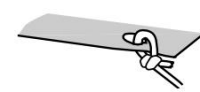

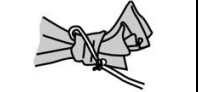

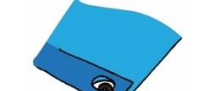


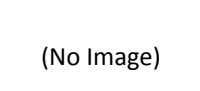







Access to download image files with higher resolution:

[Fixing Tarpaulin](#) (38MB)

FIXING TARPAULIN

T01. Fixing tarpaulin to rope

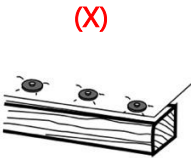
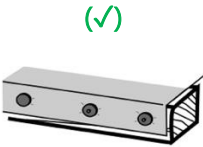






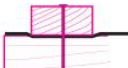
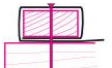
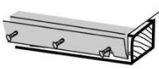


Key Message					Image ID	
Do not tie rope through a single layer of tarpaulin. (use reinforcement bands)					T001, T006	
Tie rope through eyelet or folded part of tarpaulin.					T002, T007, T010, T012	
Tie rope through the reinforcement band.					T003, T013	
Place bottle cap, stone, rags, or other non-sharp material inside.					T004, T008, T011, T014	
Make knot with tarpaulin and tie rope around it.					T005, T009, T015	
Table of Images						
	(X)	(✓)	(✓)	(✓✓)	(✓✓)	Source
						English Sindhi Burmese Philipino
			(No Image)			English/Burmese
(No Image)		(No Image)		(No Image)	English	
(No Image)					Text free	

T02. Fixing tarpaulin to wood

Key Message	Image ID	Source
To not nail close to the edge of the tarpaulin. Tarpaulin should be folded around the wood.	T016	English Sindhi Burmese Philipino
Fold sheet over wood before fixing.	T017	
Double fold sheet over wood before fixing.	T018	
The distance between fixing points are too far. This sheeting is likely to pull free.	T019	
Fixtures max. 12" (or 30cm) apart.	T020	
Standard nails will easily pull through plastic sheeting as they have small heads.	T022	English
	T023	English Sindhi Burmese Philipino
Bend nails, or nail them through folded plastic sheet or rope. U-shaped fencing pins can also be used.	T024	English
	T025	English Sindhi Burmese

Use washers or bottle caps (sharp side away from plastic) to spread the load. Alternatively, use domed head nails (umbrella nails).	T026	Philipino
	T028	English
Use timber battening to spread the load.	T029	Creole
Use timber battening and fold plastic sheeting over on itself at connection points.	T030	English

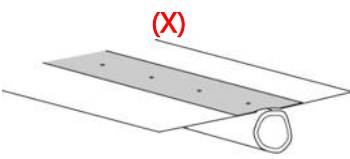
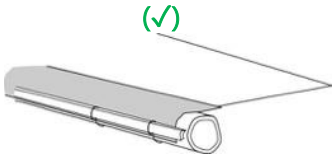
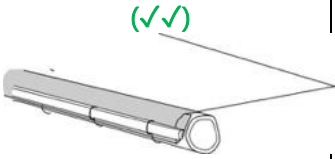
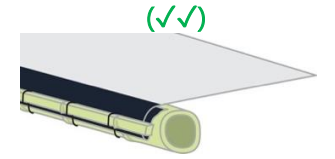
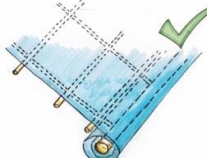
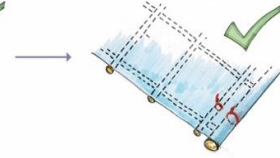
Table of Images

 T016	 T017	 T018	 T019	 T020
 T022	 T024	 T026	 T029	 T030
 T023	 T025	 T028		

T03. Fixing tarpaulin to bamboo

Key Message	Image ID	Source
Nail straight through tarpaulin. Hammering nails into bamboo will often split the bamboo.	T031	English Sindhi
Use wire looped around the bamboo batten passed through hole in the sheet and wrapped around the pole.	T034	Burmese Philipino
Fold the tarpaulin back on itself, then loop the wire around the bamboo batten, pass it through hole in the sheet and wrap it around the pole.	T035	
	T037	Text free
Roll the tarpaulin around the bamboo at the end of the roof. Tighten the tarpaulin around the bamboo and secure it to the roof structure in several locations.	T081	English Bangla
You may use a second tarpaulin to cover the damaged tarpaulin. This will also provide better insulation.	T082	Burmese

Table of Images


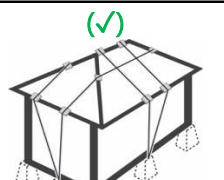
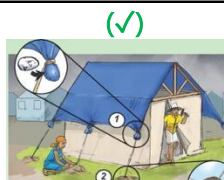
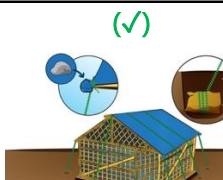
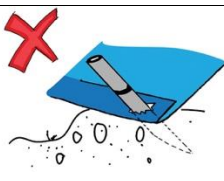
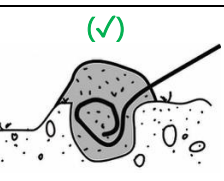
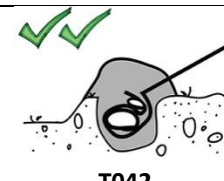
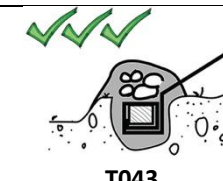
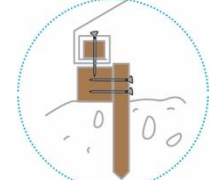
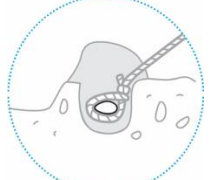


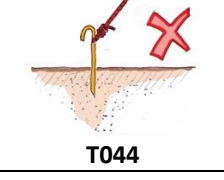
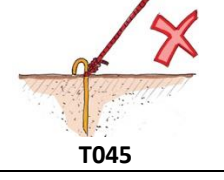
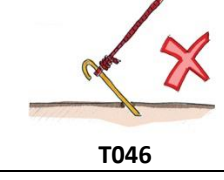
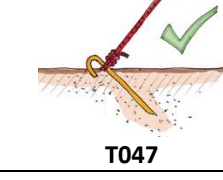

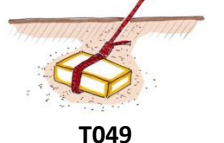
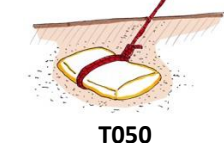
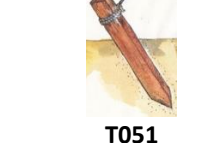
 T031	 T034	 T035	 T037
 T081	 T082		

T04. Fixing tarpaulin to ground

Key Message	Image ID	Source
Tie rope at corners of shelter. The Rope goes over the shelter.	T038	English
Tie-down the roof when strong winds come.	T039	English
Tie rope at corners of the shelter.	T070	Creole




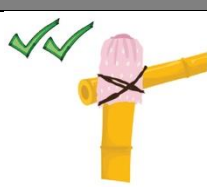
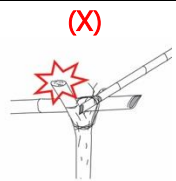
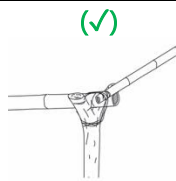
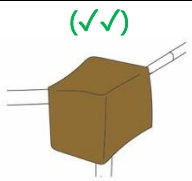
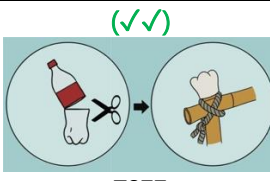

Tie the rope to a rock, block or sandbag. Bury the them in the ground and tamp down earth firmly.	T071	Bangla
Puncturing tarpaulin can tear it.	T040	English/Burmese
Dig a trench (at least 2ft deep) and cover tarpaulin with earth. Tamp down earth firmly.	T041	
Wrap debris or brick in tarpaulin and bury it (at least 2ft deep). Tamp down earth firmly.	T042	
	T075	
Wrap tarpaulin around timber or sticks and bury it (at least 2ft deep). Tamp down earth firmly.	T043	English/Burmese
	T076	Text free
Wrap around timber and nail to pegs.	T073	Text free
Anchor tarpaulin to the ground with rock	T074	Text free
Anchor tarpaulin to the ground with steel peg: too shallow and not angled.	T044	English Bangla Burmese
Anchor tarpaulin to the ground with steel peg: not angled.	T045	
Anchor tarpaulin to the ground with steel peg: too shallow.	T046	
Anchor tarpaulin to the ground with steel peg: at 45-degree angle.	T047	
Anchor tarpaulin to the ground with tree stump (2ft depth).	T048	
Anchor tarpaulin to the ground with brick (2ft depth).	T049	
Anchor tarpaulin to the ground with sandbag (2ft depth).	T050	
Anchor tarpaulin to the ground with stake.	T051	

Table of Images

 T038	 T039	 T070	 T071
 T040	 T041	 T042	 T043
 T073	 T074	 T075	 T076
 T044	 T045	 T046	 T047
 T048	 T049	 T050	 T051

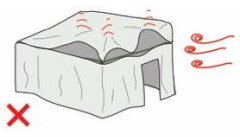
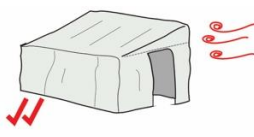



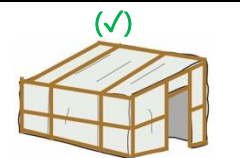
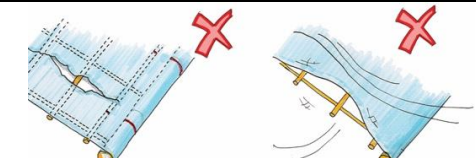
T05. Avoid sharp edge

Key Message	Image ID	Source
Sharp parts of the shelter structure will tear tarpaulin.	T052	English/Burmese
	T056	English Creole Spanish
Cut down the frame to avoid sharp ends.	T053	English/Burmese
	T057	English Creole Spanish
Put split bamboo on the top of sharp edges. <i>*only for bamboo</i>	T054	English/Burmese
Use cardboard, fabric, or other material between tarpaulin and frame.	T055	English/Burmese
	T058	English Creole Spanish
	T077	Nepali
Avoid having sharp edges pushing against the tarpaulin.	T080	English Bangla Burmese

Table of Images			
 T052	 T053	 T054	 T055
 T056	 T057	 T058	 T077
 T080			

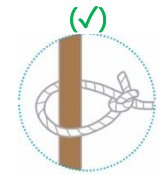
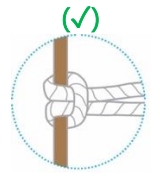
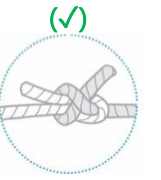
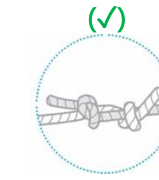
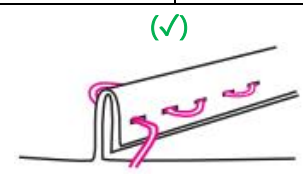
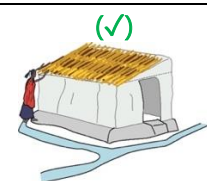
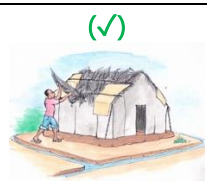
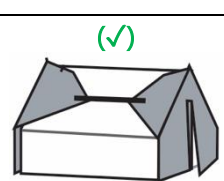
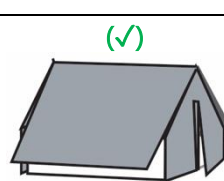
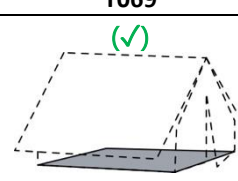
T06. Keep tarpaulin tight

Key Message	Image ID	Source
Stop tarpaulin flapping in the wind – It will get damaged.	T059	English
Pull plastic sheeting tight.	T060	Creole Spanish
Flat roofs will allow water puddles to form. Consider using sloped roofs.	T061	English
Do not let water puddles form. They can break the roof and increase the likelihood of the roof leaking.	T062	
Ensure that roofs are sloped and pull plastic sheeting tight to encourage rainwater to drain away quickly.	T063	
Add battens to ensure that the plastic sheets are pulled tight and do not flap during windy conditions.	T078	English

Secure the tarpaulin to roof structure and regularly inspect the tarpaulin				T079	English Bangla Burmese
Table of Images					
 T059	 T060	 T061	 T062	 T063	
 T078	 T079				






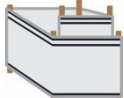


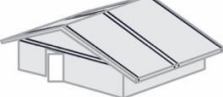



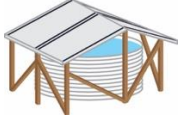
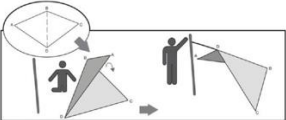
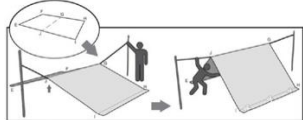
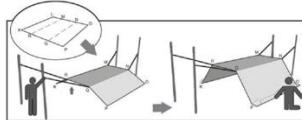
T07. Other Key Messages

Key Message	Image ID	Source
(Strong use of rope 1)	T064	Text free
(Strong use of rope 2)	T065	
(Strong use of rope 3)	T066	
(Strong use of rope 4)	T067	
Stitching tarpaulin: overlap sheeting, use strong thread and tight stitching.	T068	English
Protect tarpaulin from the sun, use any materials available.	T069	English Creole Spanish
Use all possible means to protect shelters from the sun.	T072	French/Yoruba
Cover tent with plastic sheeting to prevent rain and stop winds from getting inside. - End walls	T083	English Arabic
Cover tent with plastic sheeting to prevent rain and stop winds from getting inside. - Roof	T084	
Cover tent with plastic sheeting to prevent rain and stop winds from getting inside. - Floor	T085	

Table of Images			
 T064	 T065	 T066	 T067
 T068		 T069	 T072
 T083	 T084	 T085	

T08. Various ways of using tarpaulin

(Source: <https://iec.sheltercluster.org/files/7kohdtmlbt4jcchra81ltu66h>)

Table of Images			
 T101	 T102	 T103	 T104
 T105	 T106	 T107	 T108
 T109	 T110	 T111	 T112
 T113	 T114	 T115	 T116

Annex

Copyright of the images

Copyright for the IEC materials and illustrations remains with the agencies or entities whose names appear on them. The Global Shelter Cluster and its members may use the pictures, if appropriately credited.

Messages and images in this document are modified based on reviews on the Shelter Compendium website. Click the “Source” to check the Shelter Compendium for original document and reviewers' feedback on it.

Table of Credit

Image ID	Source
T022, T024, T026, T029, T030, T068,	A guide to the specification and use of plastic sheeting in humanitarian relief, Global/General, Author: IFRC, Oxfam, Available at: https://iec.sheltercluster.org/files/cfmz29aa3dfwevk5m1jma6gy7
T079, T080, T081, T082	Basic Guidance on Shelter Improvement & Maintenance, Bangladesh, Author: IOM, Available at: https://iec.sheltercluster.org/files/9jjadpcr9y9ghxegbih0iz8hg
T044, T045, T046, T047, T048, T049, T050	Basic Guidance on Shelter Improvement and Maintenance, Bangladesh, Author: ShelterNFI Sector / IOM, Available at: https://iec.sheltercluster.org/files/c5v5lpfwlzk1g1qj8f8nq6fby
T010, T011, T038,	Basic Guidance on Shelter Upgrading, Bangladesh, Author: ShelterNFI Sector / IOM, Available at: https://iec.sheltercluster.org/files/73sut2esao8y6bzf1yim33rnd
T006, T007, T008, T009, T040, T041, T042, T043, T052, T053, T054, T055	Basic Guidance on use of Tarpaulin, Bangladesh, Author: ShelterNFI Sector, Available at: https://iec.sheltercluster.org/files/bpxgb1sujph7a7bfs0n7nzkx5
T001, T002, T003, T004, T005, T016, T017, T018, T019, T020, T023, T025, T031, T034, T035,	Fixing plastic sheeting to Wood/Rope/Bamboo, Global/General, Author: Shelter Cluster Philippines, Available at: https://iec.sheltercluster.org/files/2v6jeh5wmcon8cclhui0tq79o
T071	How to strengthen the house, Bangladesh, Author: Unknown, Available at: https://iec.sheltercluster.org/files/ac6k78c827qixka5a3fofr5wz
T012, T013, T014, T015, T037, T064, T065, T066, T067, T073, T074, T075, T076, T101	IFRC Shelter Kit, Global/General, Author: IFRC, Available at: https://iec.sheltercluster.org/files/7kohdtmlbt4jcchra81ltu66h
T078	Improving Emergency Shelters in Northeast Nigeria, Nigeria, Author: IOM, Available at: https://iec.sheltercluster.org/files/ddkcddiv5d6bobytwj5vj8tms
T114, T115, T116	Instructions for Tent Installation, Mozambique, Author: Unknown, Available at: https://iec.sheltercluster.org/files/6o654fdd8x04kmcba7nxu8kip
T028, T070	Men Kijan Ou Ka Ranfose Abri Ou, Haiti, Author: CCCM Cluster et al., Available at: https://iec.sheltercluster.org/files/db4ppy8694xaue4vtptngtb6t
T056, T057, T058, T059, T060, T069	Plastic Sheeting - Make it last longer, South Sudan, Author: Shelter NFI Cluster South Sudan, Available at: https://iec.sheltercluster.org/files/6dau3bflw0c5ide0pnul2nir
T072	Prévention des incendies, Central African Republic, Author: IOM, Available at: https://iec.sheltercluster.org/files/1lrmoanewcvw8mibeonxkoqk
T077	Shelter leaflet, Nepal, Author: Shelter Cluster Nepal, Available at: https://iec.sheltercluster.org/files/cn0adc01qnvxo1olmu6ydnjwa
T083, T084, T085	Technical guidelines for winterization strategy, Pakistan, Author: Emergency Shelter Cluster, Available at: https://iec.sheltercluster.org/files/cuxwigpmffncnrl2thkac2e8
T061, T062, T063	Tip Sheets for Shelter Reinforcements and Rainy Season Preparedness, Nigeria, Author: IOM, Available at: https://iec.sheltercluster.org/files/9d3rrfi14ket492gawxoz28g5
T051	Tips for emergency shelter resilience v2, Bangladesh, Author: Shelter Cluster Bangladesh, Available at: https://iec.sheltercluster.org/files/86tmc63jukbxlodsy13h7akg0