

Job Name:	
Submitted By:	



Submittal Sheet For:	<b>DC024GCSICDHRT / YD2436GCSI18RD</b>
----------------------	--

Date \_\_\_\_\_  
Ref. \_\_\_\_\_

Central Split Ducted 20SEER Inverter Heat Pump

System Full Set Model: **DYC024GCSI18RD**

AHRI Reference Number: **217048497**

**Cooling Mode Performance**

Rated Cooling	24,000 BTU/hr
Ambient Range	5~131°F
SEER2 Rating	20.0 BTU/W·h
EER2 Rating	13.3 BTU/W·h

\* 100% Capacity @ Indoor DB 80°F / WB 67°F

**Heating Mode Performance**

Rated Heating	24,000 BTU/hr
Ambient Range	-4~86°F
HSPF2 IV	9.4 BTU/W·h
COP (5°F)	2.1 W/W

Heating (17°F) = 19,200 BTU / Heating (5°F) = 20,000 BTU



Central Split Ducted Indoor Unit



Outdoor Condensing Unit



Installation Kit



Thermostat

**Electrical Information**

	Cooling	Heating
Rated Input (W)	1,819	1,957
Rated Current (A)	10.0	10.0
Minimum Circuit Ampacity	15A(Outdoor)/4A(Indoor)	
Power Supply	208~230V, 1Ph, 60Hz	

**Piping and Refrigerant**

Liquid Line (OD)	3/8 in
Suction Line (OD)	3/4 in
Refrigerant Precharge	R-454b(Sweat-Type Lineset)
Max Length/Height Diff.	100 ft. / 50 ft.

This combination is Energy-Star certified.

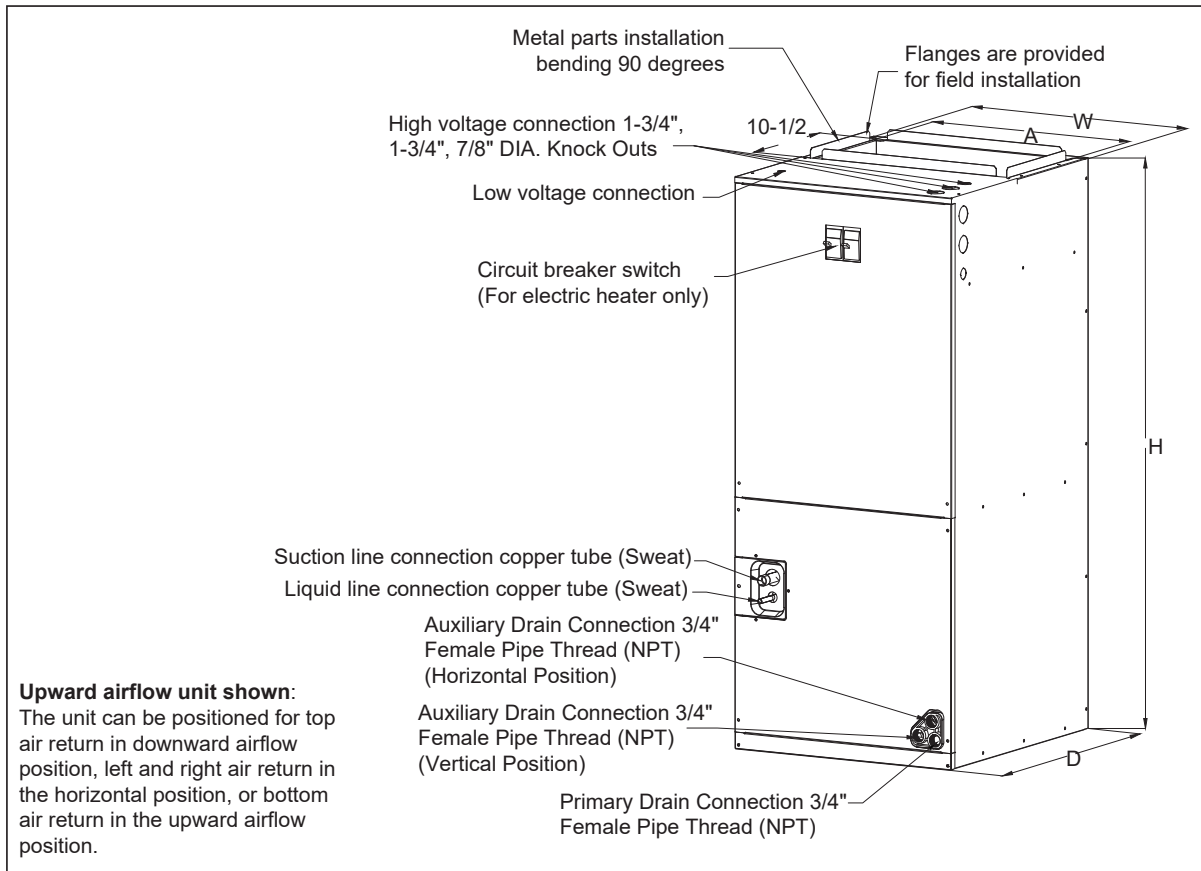


**Interior Unit (Air Handler) Specifications**

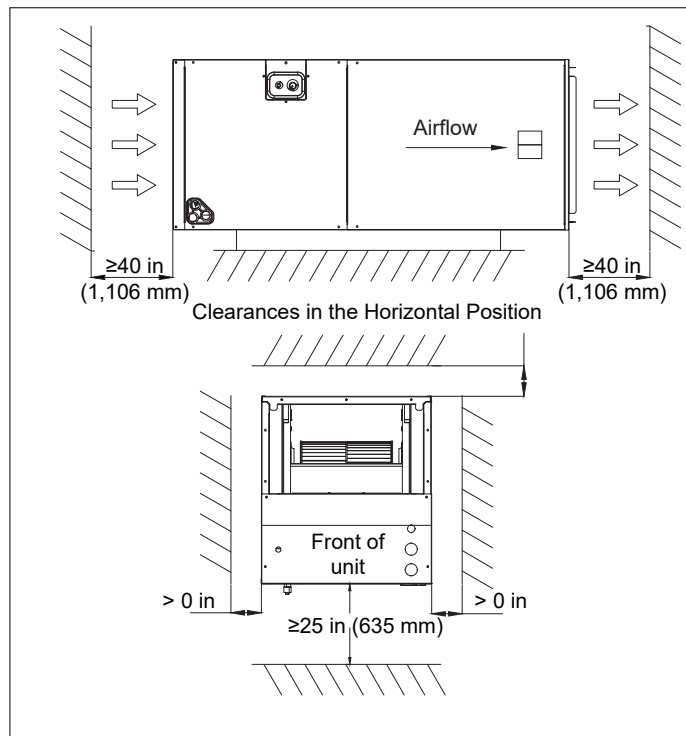
Type	Heat Pump
Sound Level (dBA)	51 (Hi) / 48 (Lo)
Auto Air Circulation	2-Way Louver (Up-Down + Left-Right)
Dimensions (WDH)	19-5/8 in x 22 in x 45-3/4 in
Weight (lbs)	130

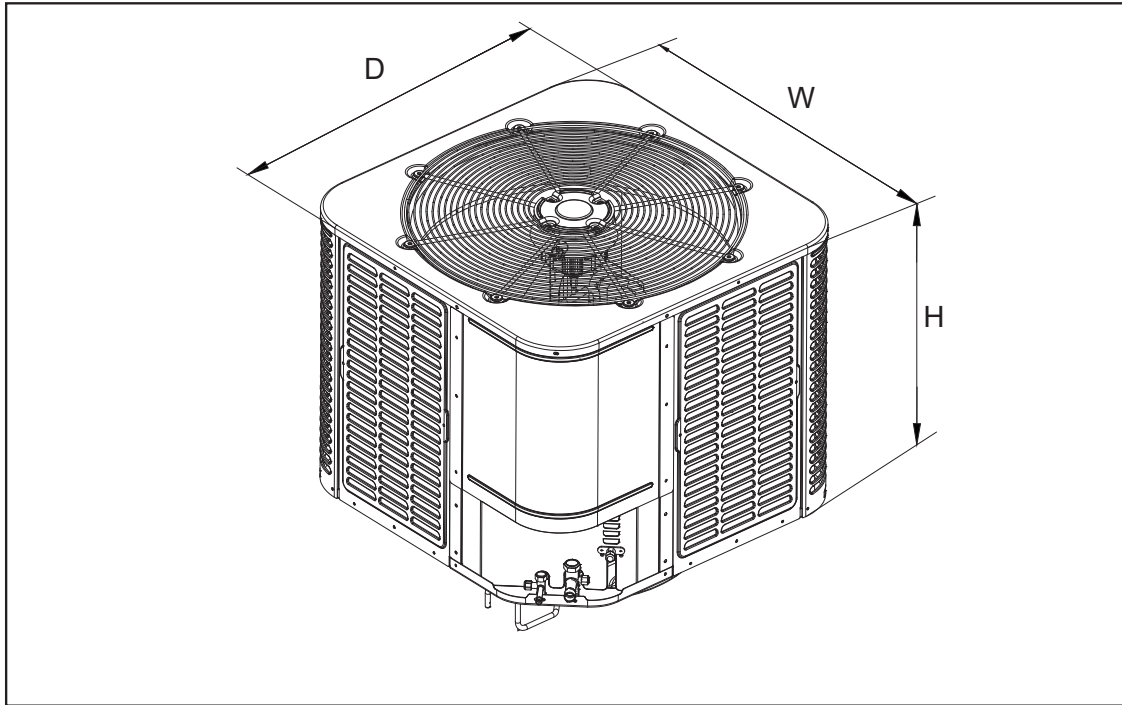
**Exterior Unit (Condenser) Specifications**

Sound Level (dBA)	76
Throttle Type	EEV
Outdoor Fan Type	DC
Compressor	Twin-Rotary
Dimensions (WDH)	29-1/8 in x 29-1/8 in x 25 in
Weight (lbs)	137



Model	Dimension Inches (mm)				
	Height "H"	Width "W"	Dimension "D"	Air outlet "A"	Liquid Line / Suction Line
<b>24K</b>	45-3/4 in (1,162 mm)	19-5/8 in (500 mm)	22 in (560 mm)	17-7/8 in (454 mm)	3/8 in / 3/4 in (9.5 mm / 19 mm)





Unit Size	Dimensions
<b>Model</b>	W x D x H inches (mm)
<b>24K</b>	29-1/2 in x 29-1/2 in x 25 in (749.3 mm x 749.3 mm x 635 mm)

### Warranty Information and Length



Complete warranty details are available with the vendor or online at <https://www.pdhvac.com/support/warranty/>. This high quality system is eligible for up to 10 years limited warranty on the compressor, and 7 years on other internal parts. To qualify for this warranty, the system must be installed within 90 days by a registered technician. All other installations that are registered default to 5 years parts/compressor. Products unregistered qualify for only 1 year parts/compressor warranty.

### Outstanding Features

- LED Display
- Energy Saving
- Ultra-Thin Design
- Dual Drain Options
- Customizable Timer
- Eco-Friendly Refrigerant
- Whisper-Quiet Operation
- Power Loss Memory Recovery



### Available Accessories

Part Number	Description
IKT-LCVR4P-KIT	<i>Decorative PVC Line Cover Kit</i>
IKT-LNBR-1/4-3/8	<i>BendAid Flexible Easy Bender Kit</i>
BRK-FRM-C-2P	<i>Folding Mounting Bracket w/ Leveler</i>
IKT-UVL32UL-AG	<i>UVC Bacterial Disinfection Kit</i>
IKT-SURPRK-DV2	<i>Ultimate Surge and Power Protection</i>