

Job Name:	
Submitted By:	



Submittal Sheet For:	DC048GCSICDHRT / YD4860GCSI18RD
-----------------------------	--

Date _____
 Ref. _____

Central Split Ducted 18SEER Inverter Heat Pump

System Full Set Model: **DYC048GCSI18RD**

AHRI Reference Number: **217048499**

Cooling Mode Performance

Rated Cooling	47,500 BTU/hr
Ambient Range	5~131°F
SEER2 Rating	17.5 BTU/W·h
EER2 Rating	11.3 BTU/W·h

* 100% Capacity @ Indoor DB 80°F / WB 67°F

Heating Mode Performance

Rated Heating	48,000 BTU/hr
Ambient Range	-4~86°F
HSPF2 IV	9.0 BTU/W·h
COP (5°F)	2.1 W/W

Heating (17°F) = 40,000 BTU / Heating (5°F) = 34,200 BTU



Central Split Ducted Indoor Unit



Outdoor Condensing Unit



Installation Kit



Thermostat

Electrical Information

Rated Input (W)	Cooling	Heating
	4,145	3,580
Rated Current (A)	15.8	15.8
Minimum Circuit Ampacity	25A(Outdoor)/5A(Indoor)	
Power Supply	208~230V, 1Ph, 60Hz	

Piping and Refrigerant

Liquid Line (OD)	3/8 in
Suction Line (OD)	7/8 in
Refrigerant Precharge	R-454b(Sweat-TypeLineset)
Max Length/Height Diff.	100 ft. / 50 ft.

This combination is Energy-Star certified.

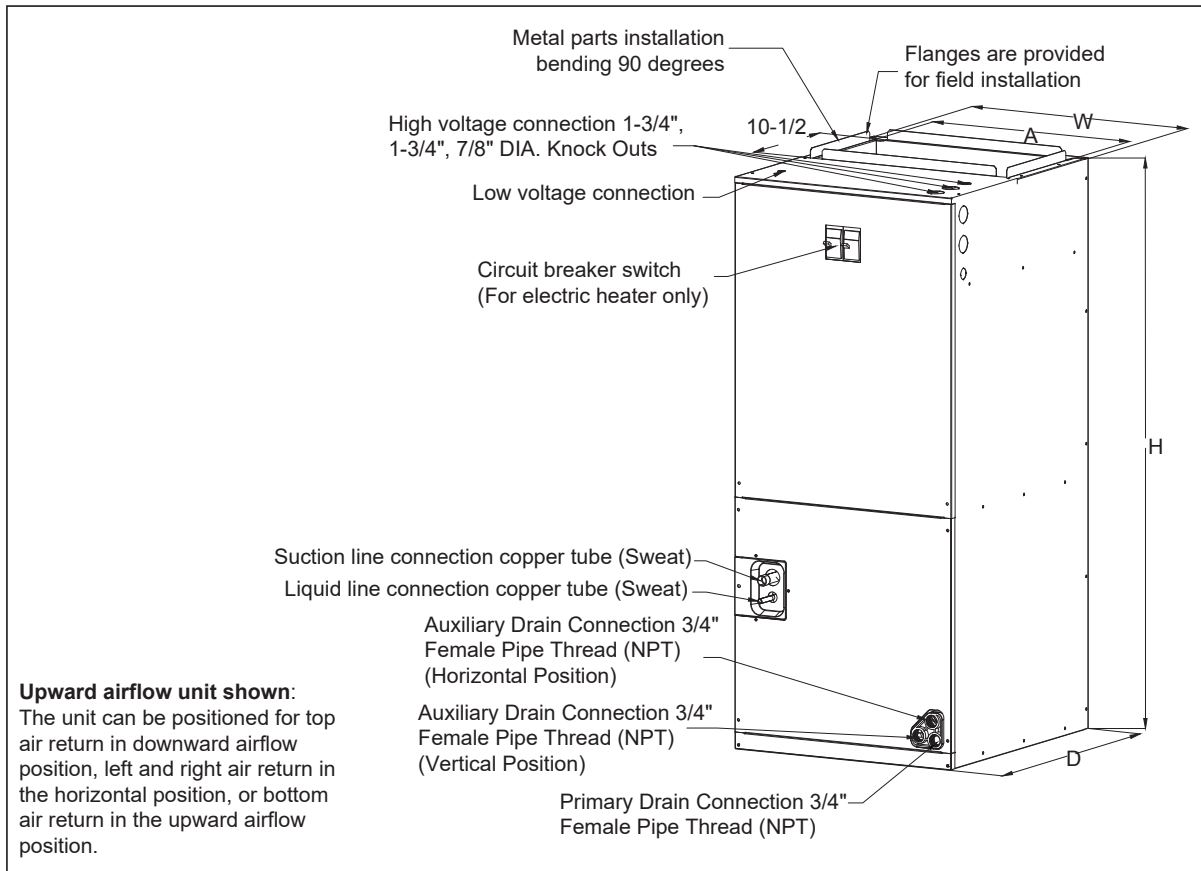


Interior Unit (Air Handler) Specifications

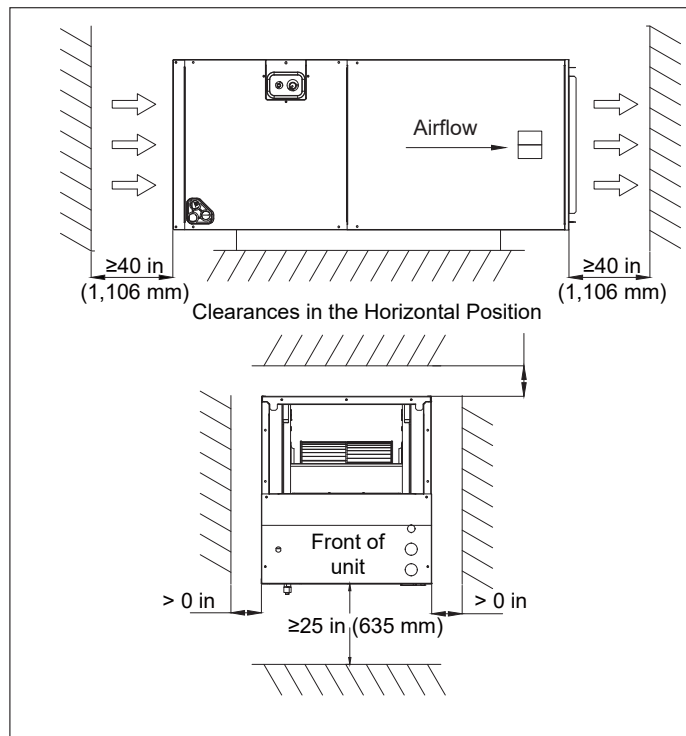
Type	Heat Pump
Sound Level (dBA)	59 (Hi) / 55 (Lo)
Auto Air Circulation	2-Way Louver (Up-Down + Left-Right)
Dimensions (WDH)	22 in x 24-1/2 in x 53-1/8 in
Weight (lbs)	169

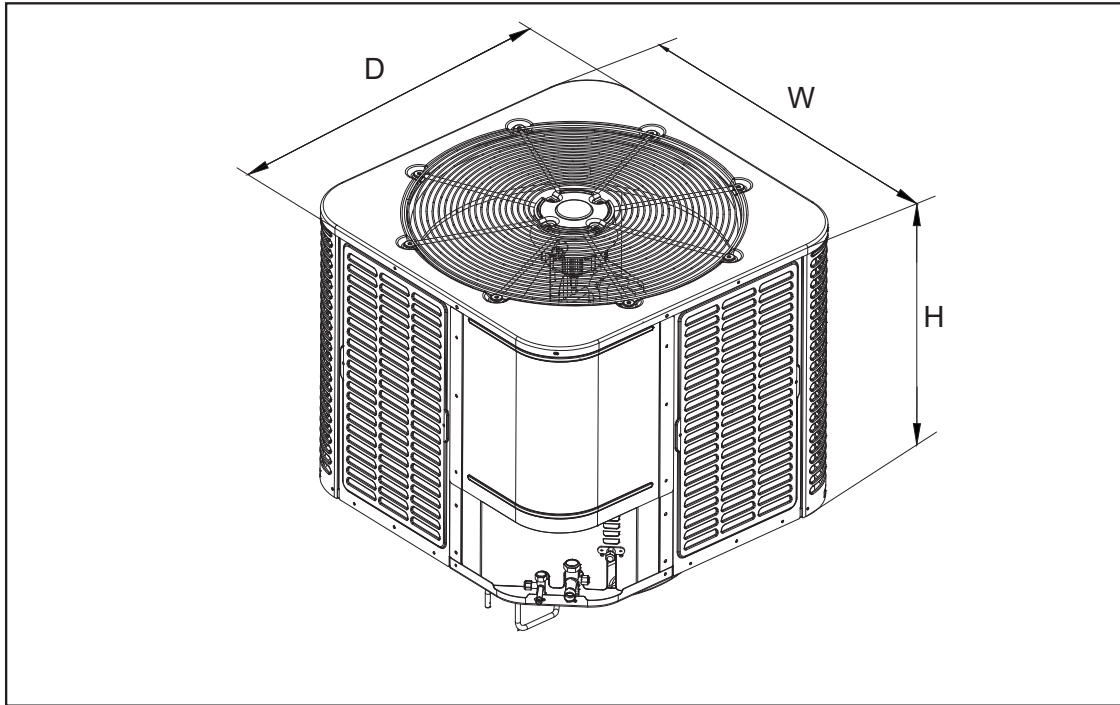
Exterior Unit (Condenser) Specifications

Sound Level (dBA)	76
Throttle Type	EEV
Outdoor Fan Type	DC
Compressor	Twin-Rotary
Dimensions (WDH)	29-1/8 in x 29-1/8 in x 32 in
Weight (lbs)	187



Model	Dimension Inches (mm)				
	Height "H"	Width "W"	Dimension "D"	Air outlet "A"	Liquid Line / Suction Line
48K	53-1/8 in (1,350 mm)	22 in (560 mm)	24-1/2 in (623 mm)	19-1/2 in (496 mm)	3/8 in / 7/8 in (9.5 mm / 22 mm)





Unit Size	Dimensions
Model	W x D x H Inches (mm)
48K	29-1/2 in x 29-1/2 in x 32-7/8 in (749.3 mm x 749.3 mm x 835 mm)

Warranty Information and Length



Complete warranty details are available with the vendor or online at <https://www.pdhvac.com/support/warranty/>. This high quality system is eligible for up to 10 years limited warranty on the compressor, and 7 years on other internal parts. To qualify for this warranty, the system must be installed within 90 days by a registered technician. All other installations that are registered default to 5 years parts/compressor. Products unregistered qualify for only 1 year parts/compressor warranty.

Outstanding Features

- LED Display
- Energy Saving
- Ultra-Thin Design
- Dual Drain Options
- Customizable Timer
- Eco-Friendly Refrigerant
- Whisper-Quiet Operation
- Power Loss Memory Recovery



Available Accessories

Part Number	Description
IKT-LCVR4P-KIT	<i>Decorative PVC Line Cover Kit</i>
IKT-LNBR-1/4-3/8	<i>BendAid Flexible Easy Bender Kit</i>
BRK-FRM-C-2P	<i>Folding Mounting Bracket w/ Leveler</i>
IKT-UVL32UL-AG	<i>UVC Bacterial Disinfection Kit</i>
IKT-SURPRK-DV2	<i>Ultimate Surge and Power Protection</i>