



## Submittal Data Sheet

Enthalpy economizer with MERV 8 filter  
ECONMQ30P-8-1K

### DESCRIPTION

Fully modulating enthalpy economizer for use with FXMQ\_PB series indoor units. Capable of direct connection to FXMQ15PBVJU, FXMQ18PBVJU, and FXMQ24PBVJU models. Requires the use of KRP1C74 for control integration.

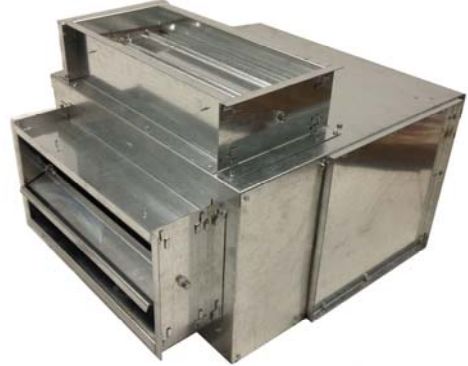
Note: Actual product appearance may differ from image.

### FEATURES

- MERV 8 filter
- Honeywell Jade economizer logic controller
- Single enthalpy control standard
- Optional comparative enthalpy control
- Optional CO<sub>2</sub> control
- 1", 1.5 lb density internal insulation
- Heavy gauge steel construction with galvanized finish
- Bolt on compatibility with:
  - FXMQ15PBVJU
  - FXMQ18PBVJU
  - FXMQ24PBVJU

### OPTIONAL ACCESSORIES

- **ECONMQP-CO2** – CO2 sensor
- **ECONMQP-ENTH** – Comparative enthalpy sensor

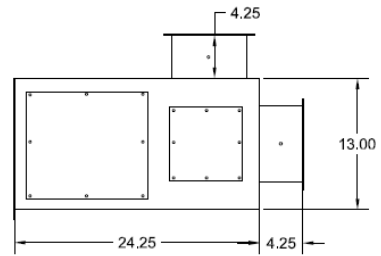
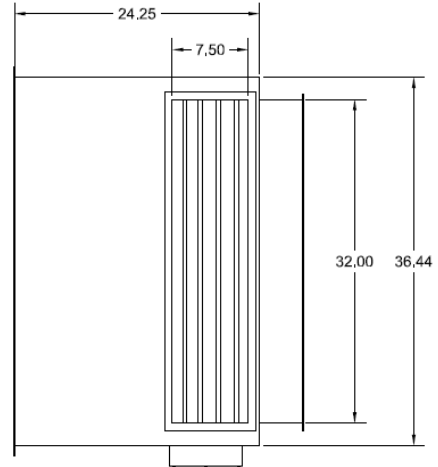
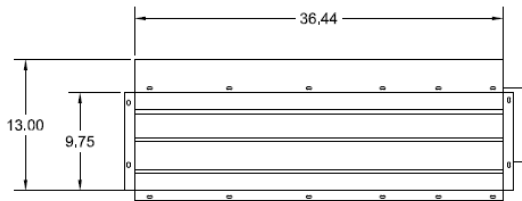




### Submittal Data Sheet

Enthalpy economizer with MERV 8 filter  
ECONMQ30P-8-1K

### DIMENSIONAL DRAWING





## Submittal Data Sheet

Enthalpy economizer with MERV 13 filter  
ECONMQ30P-13-1K

### DESCRIPTION

Fully modulating enthalpy economizer for use with FXMQ\_PB series indoor units. Capable of direct connection to FXMQ15PBVJU, FXMQ18PBVJU, and FXMQ24PBVJU models. Requires the use of KRP1C74 for control integration.

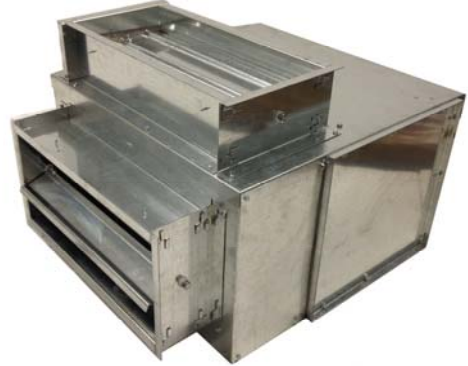
Note: Actual product appearance may differ from image.

### FEATURES

- MERV 13 filter
- Honeywell Jade economizer logic controller
- Single enthalpy control standard
- Optional comparative enthalpy control
- Optional CO<sub>2</sub> control
- 1", 1.5 lb density internal insulation
- Heavy gauge steel construction with galvanized finish
- Bolt on compatibility with:
  - FXMQ15PBVJU
  - FXMQ18PBVJU
  - FXMQ24PBVJU

### OPTIONAL ACCESSORIES

- **ECONMQP-CO2** – CO2 sensor
- **ECONMQP-ENTH** – Comparative enthalpy sensor

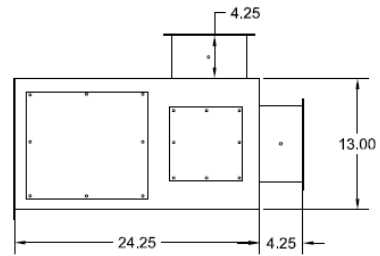
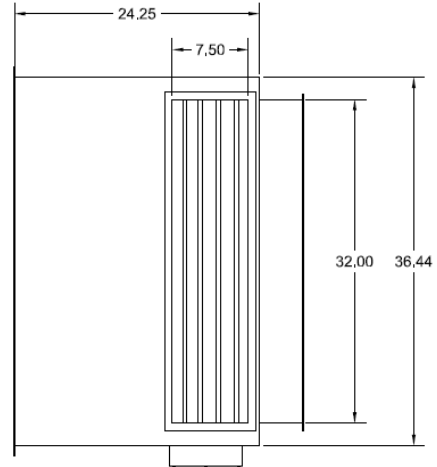
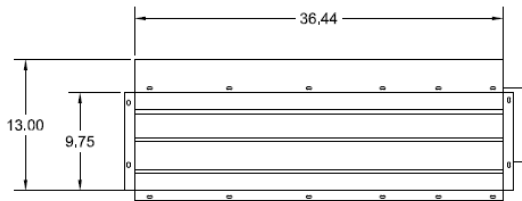




### Submittal Data Sheet

Enthalpy economizer with MERV 13 filter  
ECONMQ30P-13-1K

### DIMENSIONAL DRAWING





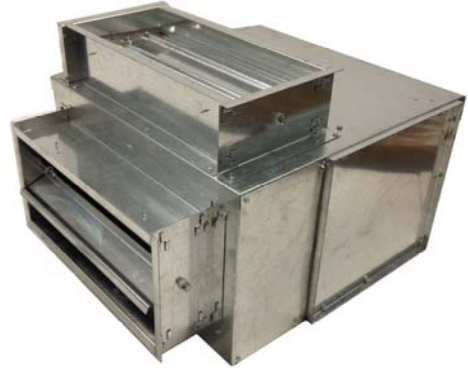
## Submittal Data Sheet

Enthalpy economizer with MERV 8 filter  
ECONMQ48P-8-1K

### DESCRIPTION

Fully modulating enthalpy economizer for use with FXMQ\_PB series indoor units. Capable of direct connection to FXMQ30PBVJU, FXMQ36PBVJU, FXMQ48PBVJU, and FXMQ54PBVJU models. Requires the use of KRP1C74 for control integration.

Note: Actual product appearance may differ from image.



### FEATURES

- MERV 8 filter
- Honeywell Jade economizer logic controller
- Single enthalpy control standard
- Optional comparative enthalpy control
- Optional CO<sub>2</sub> control
- 1", 1.5 lb density internal insulation
- Heavy gauge steel construction with galvanized finish
- Bolt on compatibility with:
  - FXMQ30PBVJU
  - FXMQ36PBVJU
  - FXMQ48PBVJU
  - FXMQ54PBVJU

### OPTIONAL ACCESSORIES

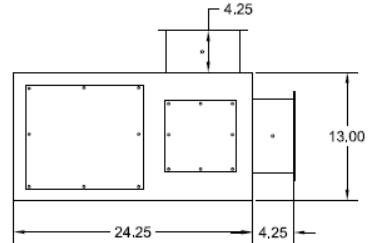
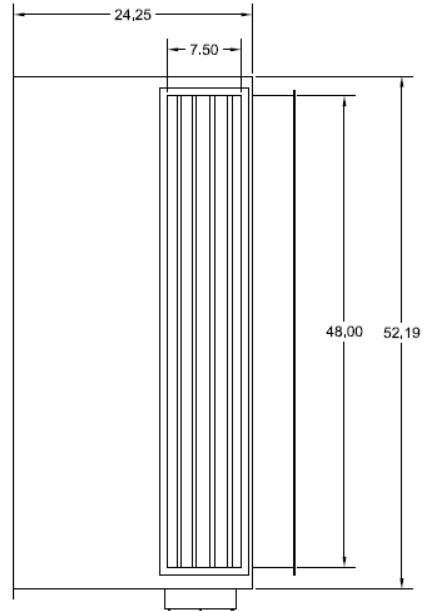
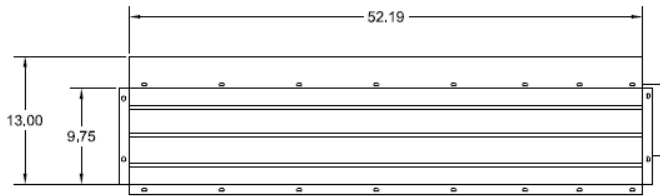
- **ECONMQP-CO2** – CO2 sensor
- **ECONMQP-ENTH** – Comparative enthalpy sensor



### Submittal Data Sheet

Enthalpy economizer with MERV 8 filter  
ECONMQ48P-8-1K

### DIMENSIONAL DRAWING





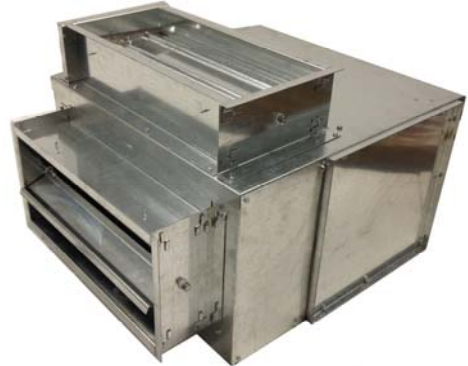
## Submittal Data Sheet

Enthalpy economizer with MERV 13 filter  
ECONMQ48P-13-1K

### DESCRIPTION

Fully modulating enthalpy economizer for use with FXMQ\_PB series indoor units. Capable of direct connection to FXMQ30PBVJU, FXMQ36PBVJU, FXMQ48PBVJU, and FXMQ54PBVJU models. Requires the use of KRP1C74 for control integration.

Note: Actual product appearance may differ from image.



### FEATURES

- MERV 13 filter
- Honeywell Jade economizer logic controller
- Single enthalpy control standard
- Optional comparative enthalpy control
- Optional CO<sub>2</sub> control
- 1", 1.5 lb density internal insulation
- Heavy gauge steel construction with galvanized finish
- Bolt on compatibility with:
  - FXMQ30PBVJU
  - FXMQ36PBVJU
  - FXMQ48PBVJU
  - FXMQ54PBVJU

### OPTIONAL ACCESSORIES

- **ECONMQP-CO2** – CO2 sensor
- **ECONMQP-ENTH** – Comparative enthalpy sensor



### Submittal Data Sheet

Enthalpy economizer with MERV 13 filter  
ECONMQ48P-13-1K

### DIMENSIONAL DRAWING

