

GentleCool Series

Smart Air, Soft Care



Gentle Breeze



No Direct Cold Craft
/ Soft Airflow Comfort



Quiet Operation

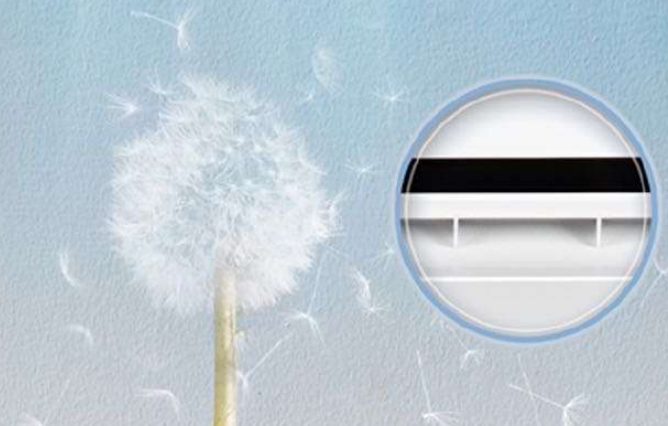


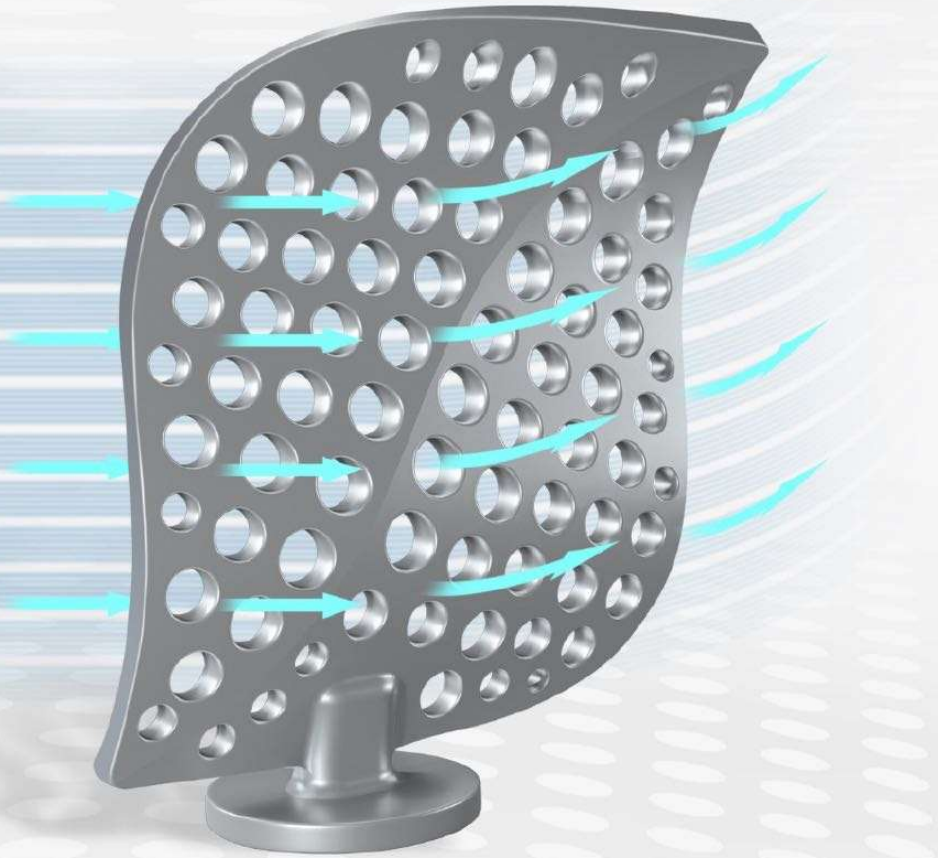
Smart Control





Airflow Comparison





Gentle Breeze

- Innovative, enjoyable, popular air cooling experience
- 18 S-Shaped Vanes with 1422 Micro-hole
- Disperse the cold draft to be soft and gentle laminar flow
(*24K Model)



Patent No.:
ZL 2017 2 1584326.9

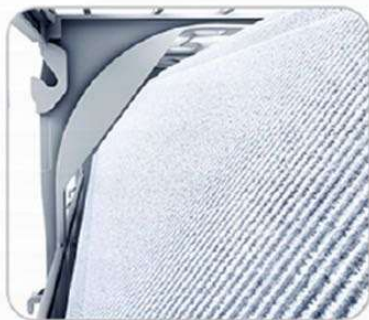
CleanXpress

- The systematic clean solution
- From Reminding to Finishing
- For Every Easy-Stained Parts

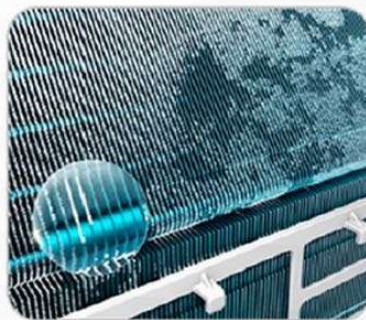


Deep Clean

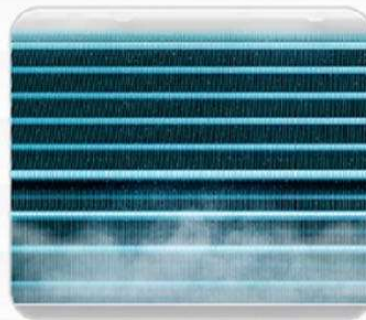
Wash-Dry Combo only needs 35-45 minutes to finish the deep clean.



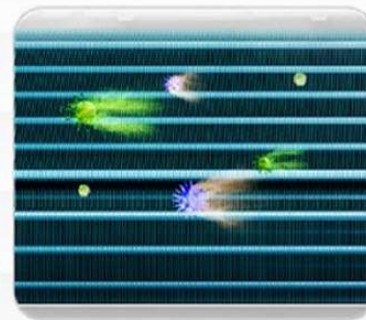
Frosting



Defrosting



Drying



Sterilization

*Heat Pump DC Inverter Only

*Optional

Easy Clean Design

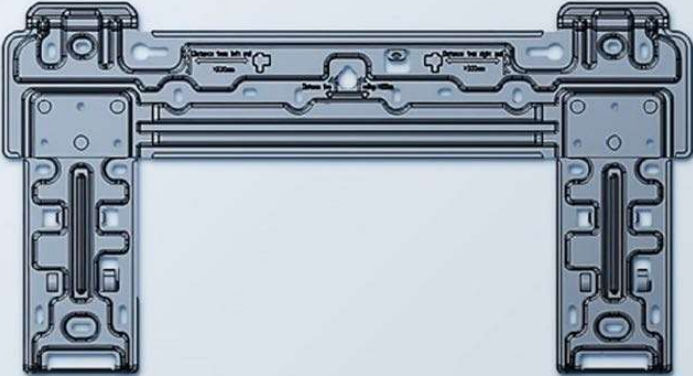
- Full Buckle Design with No Screw
8s Disassembly + 12s Assembly = 20s
- Easy for dust-accumulated parts washing and the interior cleaning



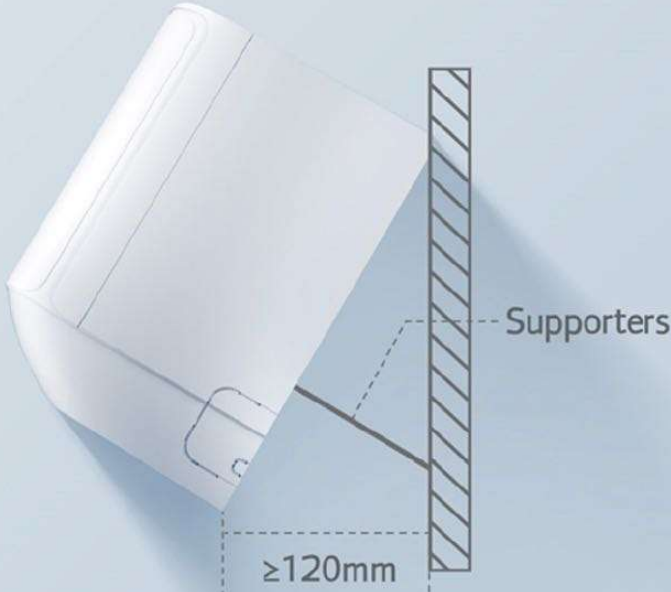
Fast installation

π design supporter allows the GentleCool to hang on and move easily for installation.
To free the hands of installer and help them finish the work fast.

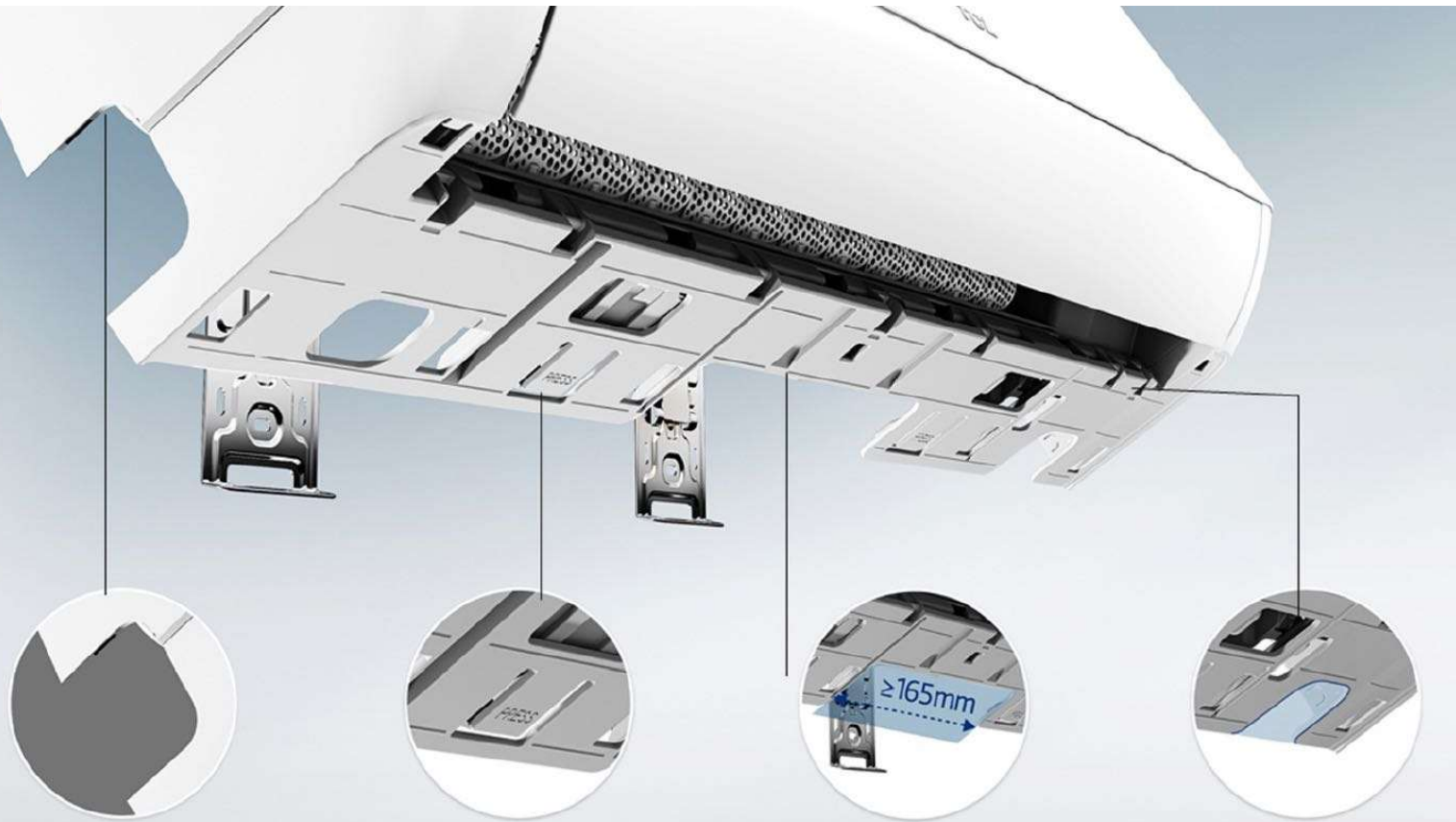
(*Supporter is available in product package.)



TT design
Thicker & Stronger



$\geq 120\text{mm}$ Gap
Convenient & Fast



**10% Larger Space
for Piping**

**Visible Buckle for Easy
installation/Uninstallation**

**≥165mm Larger Space
for Piping Connection**

Hole for Easy Wiring

Minimalism Design



Curved Frame Beauty



Frosted Craft Texture



Hidden LCD Display