

(2). In 15 days, when breakdown due to quality problems once confirmed, replacement procedures can be carried out.

(3) Please refer to the warranty form for other specific warranty

**Note:** The following conditions are not a quality issue and do not apply to warranty terms. Agents can provide maintenance services at a cost and maintenance fee.

1. Failure to follow the instructions and precautions
2. Improperly assembled or malfunctioning by improper maintenance by the user
3. Breakdown occur after repair in none Company's network, or the replacement of the original parts of the Company product.
4. Due to wear and tear of the consumables, while the none appropriate replacement maintenance in time, other parts failure and damage occurred.
5. Due to foreign objects puncture or impact, tire leakage or puncture occurred.
6. Damaged due to overload, or through obstructions and extreme movement.
7. Damage due to force majeure (eg, fire house, earthquake, lightning, water damage)
8. Belong to normal use / natural wear parts, do not provide free warranty service

**Note:** Damage caused by human factors is not covered by the warranty. In the free warranty period, we do not charge maintenance fees. (Note: not include material costs) But the resulting transport costs borne by both parties. The company has the final interpretation.



Warranty Card

User name		Purchasing date	
Tel		Address	
Product name		Model	
Purchasing store		Breakdown description	

**Note:** Due to the company's product upgrades, may part of the display of the product content you get will be different from the instructions, but will not affect your normal use.

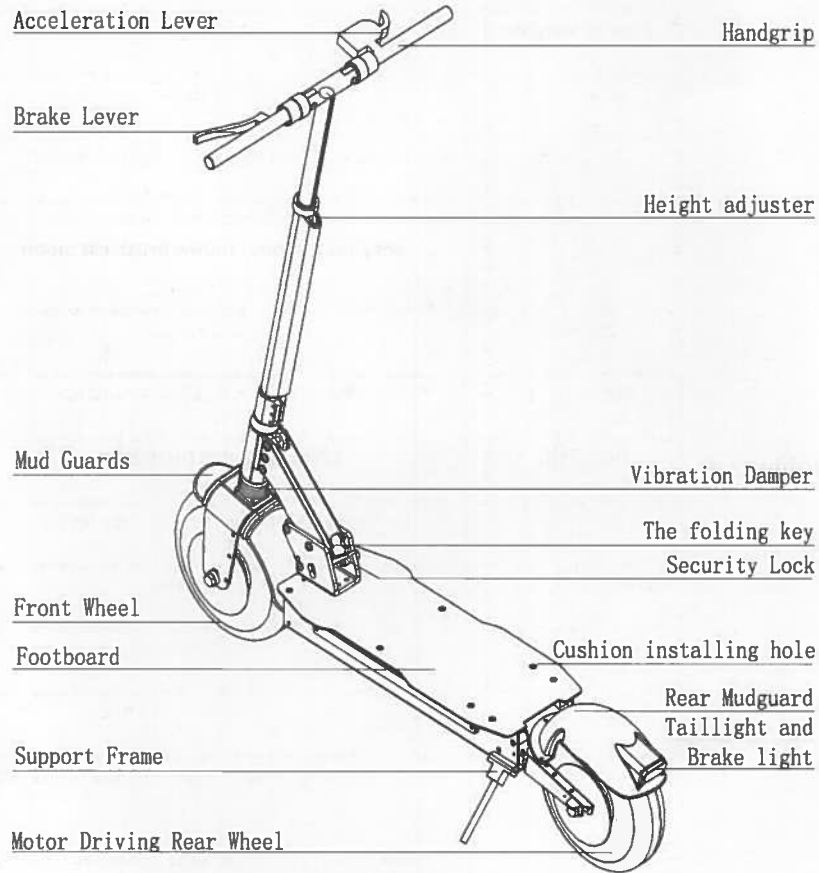
## Electric Scooter Manual



science and technology change the way of travel

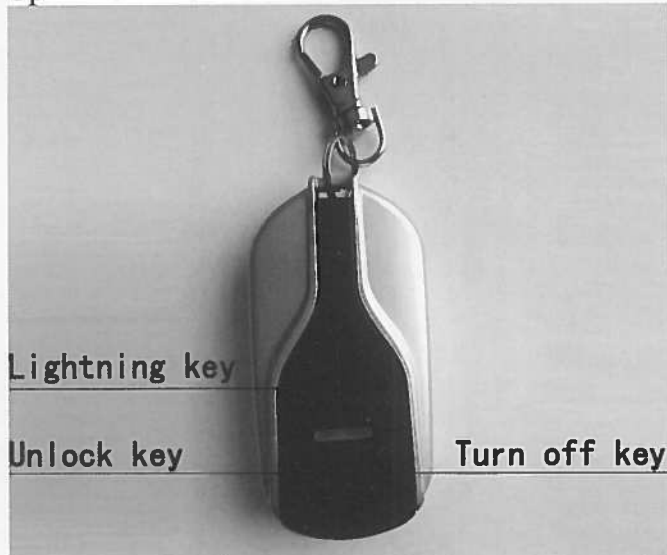
# Parameters

## The main components:



<b>Performance and specifications</b>	Maximum speed	20-60km/h
	Maximum mileage	20-130km
	Maximum bearer	150kg
	Scooter weight	15-50kg
	Folding size	118-145cm
	Start form	Factory default non-zero start (adjustable)
<b>assembly unit</b>	Motor	36v/350w-60v/1600w 36v/350wto 60v/1500w brushless motor
	Battery	36v/48v/52v/60v
	Instrument	Multifunctional LCD instrument
	Headlight	LED Headlights (with Horn)
	Breaker	Front and rear disc brake /Brake by Fluid
	Break Handgrip	Power brake
	Handlebar Grip	22mm
	Front and rear wheels	10-11inch inflatable tire
	Plastic parts	Environmentally friendly high-strength plastic parts

### Optional alarm instructions



Before riding press unlock key first, then keys in two lightning, can ride (remember to press 2 times lightning)

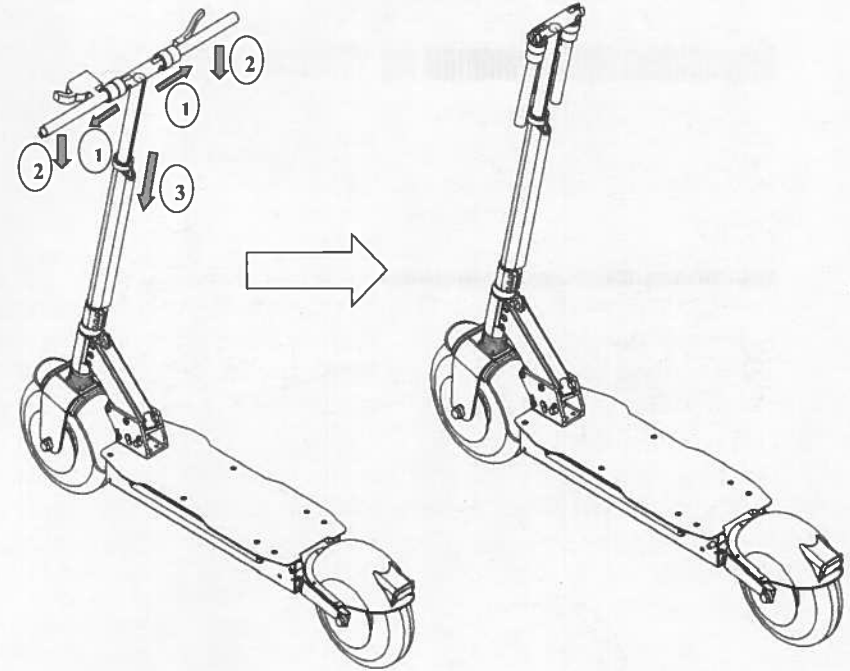
### Equipped with double driving with instructions



The limit switch — Double drive switch  
(The two buttons for dual drive use only)

### Second, the operating instructions

#### 1. Retract the handlebar

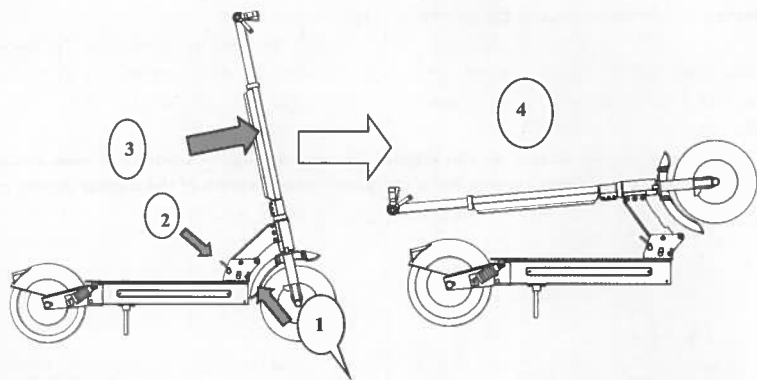


Step 1 Pull the handlebar out of the puller

Step 2 Turn and fold the handlebar

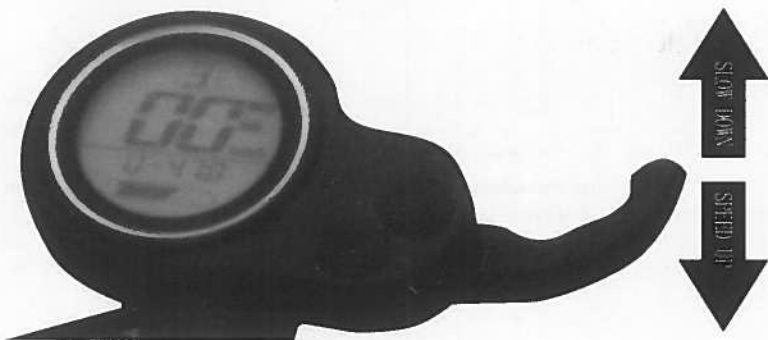
Step 3 Adjust the handlebar to the lowest position

## 2. Fold / open the frame



**Folding operation:** Step 1: Turn the safety lock outwardly, then gently pull out it and put it on the screw on the edge (Figure. ①). Step 2: Press down the fold button that in the locked position (Figure. ②). At the same time pull down the Scooter Pole (Figure. ③). Step 3: Fold the Pole (Figure. ④).

**Opening operation:** First, turn the safety lock outwardly, then gently pull out it and put it on the screw on the edge. Then, press the fold button down by hand. Push the lever upwards when press the fold button and. Hear the sound of click then the security lock locked, completing the operation.



1. The instrument consists of an acceleration bar, a start switch button, a speed adjustment button and a display screen.

2. Long press the ON / OF button for 3-5 seconds to turn the power on / off.

3. The acceleration lever is as shown. Pull down to accelerate, while release to slowdown. Please avoid excessive force in the operation to prevent accidents.

4. Press the MODE, the speed adjustment button, to set the speed of the scooter. There are 3 stalls: high-speed, medium speed, low speed. It can be set according to your own requirements. Below SPEED, it shows the status of the gear, FAS is high-speed, MID is medium speed, SLO is low speed.

5. Through the display screen, we can acquire the total mileage of scooters driving, battery power consumption, driving speed. Note: the power consumption of the display screen can only represent the approximate power range. It is only for reference, and it can not accurately measure the power.

### 3: Announcements

#### (1) Safe driving

In the acceleration or deceleration time, be aware to avoid the body's gravity in the hand, to avoid the body forward. The standing posture should be keeping your feet one after the other, thus lead to more secure and stable riding.

A. When turning, the body is parallel to the handle. Please pay attention to the road condition before turning. Be sure it is safe and then turn.

B. When the brakes, the gravity center of body backwards. It is better to learn to control the center of gravity when braking. Otherwise it will cause two situations: the car tilted forward, as well as brake and steering system damage.

#### (2) Charging

1. When charging, please put safe place where children can not touch.

2. The red light indicates charging and the green light indicates charging is complete.

3. If you do not use it for a long time, charge it every 2 months.

4. Do not charge in a damp place.

5. Do not run the motor while charging.

6. Avoid contact with the material leak out of the battery accidentally.

7. Failure to store or recharge in accordance with the correct method may result in damage to the battery and no charge.

### 4: After-sales maintenance

The company's products related to the implementation of three-pack policy. When the product meet the warranty conditions, we provide free maintenance, replacement and return services. Warranty is provided free, except for delivery and shipping.

(1). In 7 days, when breakdown due to quality problems once confirmed, replacement or return procedures can be carried out.