

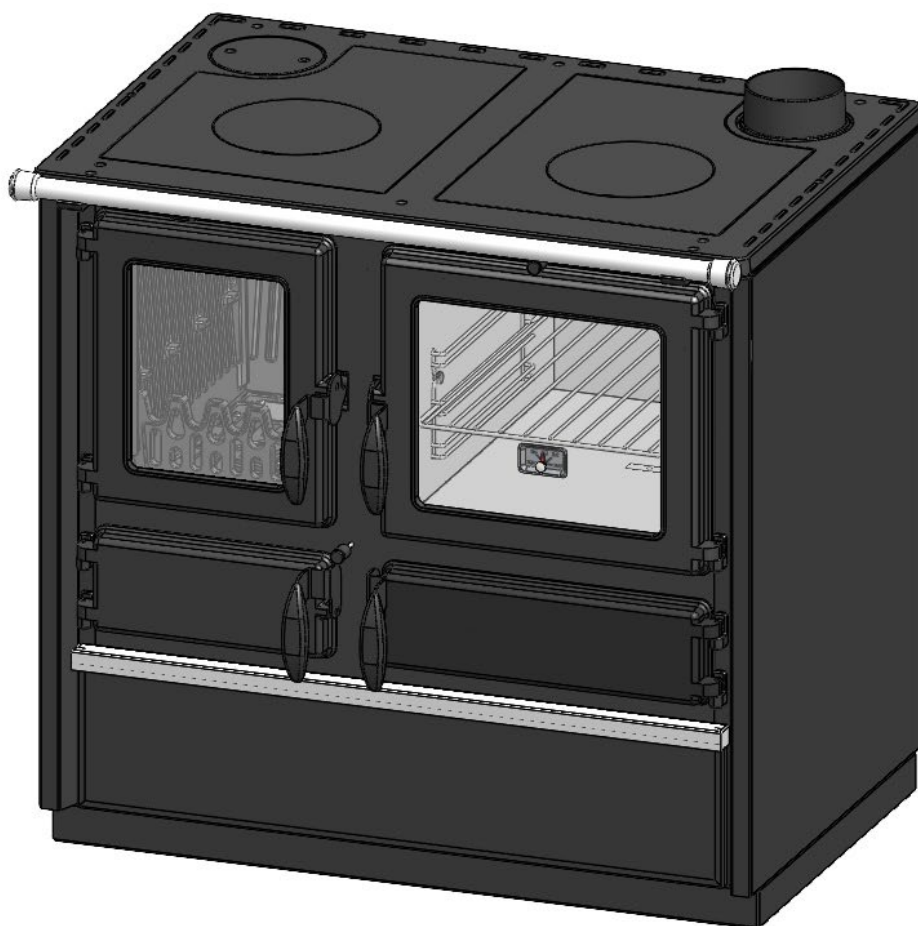


## **ROCCO**

### **WOOD BURNING COOKER**

Owners's manual

**INSTALATION, ADJUSTMENT AND OPERATING INSTRUCTION**



**CE**

**EN 16510**

# **ROCCO - WOOD BURNING COOKER**

## **Owners's manual - INSTALATION, ADJUSTMENT AND OPERATING INSTRUCTION**

---

**Dear Customer,**

We appreciate your trust vested in us and decision to use "**TIM SISTEM**" product.

You have invested in energy-efficient and high-quality product - **ROCCO** wood burning cooker.

Your purchase will provide you long-term clean and comfortable heating with minimal maintenance.

Please read these instructions carefully and completely.

It's purpose is to inform you about the installation, operation and maintenance of your appliance. Keep it handy and refer to it as needed. You will find in it information that will be useful now and in the years to come.

Make sure that when installing the appliance all security standards have been respected and that all gas pipes, connections between tubes and pipes and walls are connected properly.

Failure to comply with these standards and carelessness during installation can result in damage to property or put your health and life in danger!

Set your cooker to a safe place, away from the frequent passages and doors, somewhere near chimney and chimney connection.

We wish you many pleasant moments with „**ROCCO**“.

**„TIM SISTEM“ DOO**

# **ROCCO - WOOD BURNING COOKER**

## **Owners's manual - INSTALATION, ADJUSTMENT AND OPERATING INSTRUCTION**

---

### **WARNING BEFORE USE**

To keep your cooker working properly, it is important to read this manual and strictly stick to the instructions for use and handling.

For combustion use solid fuels such as wood and wood briquettes. It is forbidden putting explosive devices and materials combustion chamber or the limited thermal furnace. It is forbidden to keep flammable materials near the stove.

For proper combustion, in normal operating mode, draft in the chimney should be 10-12PA. If the draft is greater than 15 Pa, the valve should be installed in the chimney.

Room where the cooker is positioned must be vented regularly for the fresh air needed for combustion.

Some parts of cooker heat up during operation and it takes appropriate precaution when handling it. Do not allow children to handle and play near the cooker.

Only spare partes reccomended and allowed by the manufacturershould be installed on the cooker. You must not make any changes on the cooker.

With first firing there might show a mild smoke, especially from the plate's surface. It is a common appearance that occurs due to combustion deposits on the plate's surface(corrosion protection, paint, dust, ....). The room where the cooker is should be vented during the first firing.

It's not reccomended connecting the cooker to the common chimney because it can adversely affect the required draft.

Device that uses gas as fuel must not be connected to same chimney.

During burning, use termoprotection gloves because the door handles and primary, secondary and flue gas regulator handles get heated.

National and local regulations for the installation of the cooker must be respected.

**In a case of non-copliance with instructions given in this manual, manufacturer does not take any kind of responsability for caused damage.**

# ROCCO - WOOD BURNING COOKER

## Owners's manual - INSTALATION, ADJUSTMENT AND OPERATING INSTRUCTION

### DESCRIPTION OF THE COOKER

**ROCCO** wood burning cooker is used for heating rooms and it's manufactured and tested according to European standard **EN 16510**.

The top plate of the fireplace is made of gray cast iron.

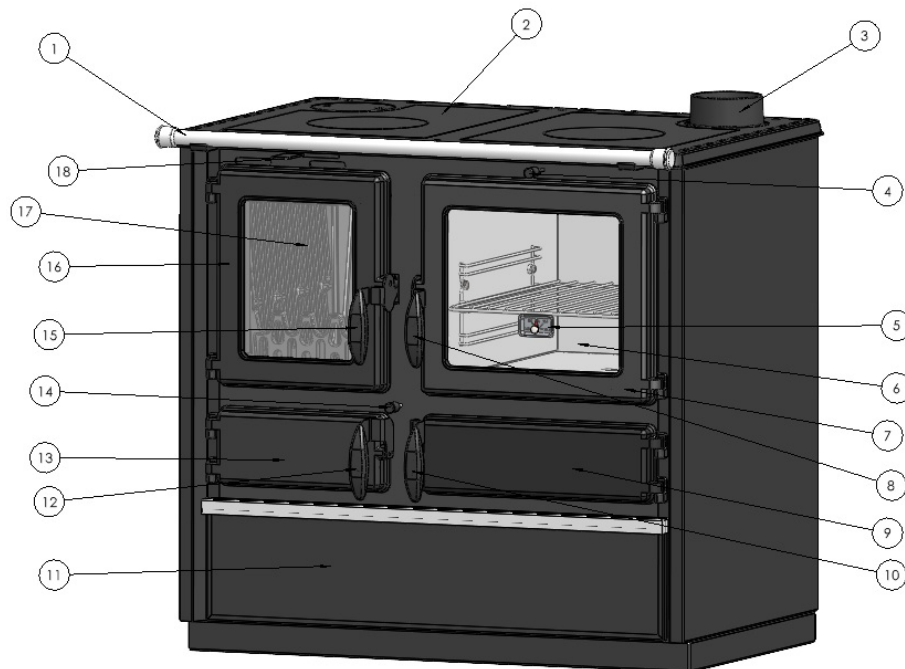
Firebox and oven doors are made of gray cast iron. Firebox assembly are made of gray cast iron. Connection for smoke drains being put on the plate and connected with screws (also made of gray cast iron).

All the materials that ROCCO cooker is made can be recycled.

Sealing elements are made of materials that NOT contain asbestos.

#### Parts of the COOKER:

- |                             |  |
|-----------------------------|--|
| 1. Protection rail          | 10. Cleaning hatch door handle         |
| 2. Top plate                | 11. Drawer for NOT-flammable materials |
| 3. Smoke exhaust connection | 12. Ashpan door handle                 |
| 4. Flue gas regulator       | 13. Ashpan door                        |
| 5. Thermometer              | 14. Primary air regulator              |
| 6. Oven                     | 15. Firebox door handle                |
| 7. Oven door                | 16. Firebox door                       |
| 8. Oven door handle         | 17. Firebox assembly                   |
| 9. Cleaning hatch door      | 18. Secondary air regulator            |



Figure

# ROCCO - WOOD BURNING COOKER

## Owners's manual - INSTALATION, ADJUSTMENT AND OPERATING INSTRUCTION

### TECHNICAL DATA

Harmonized technical specification	EN 12815:2001; EN 16510-1:2021; EN16510-2-3:2021
Essential characteristics	Performance
Fire safety	
Reaction to fire	A1
Distance to combustible materials	Minimum distance, in mm sides = 400, rear = 400, front = 700
Risk of burning fuel falling out	Pass
Emission of combustion products at Nom.heat output / Min.heat output in mg/Nm <sup>3</sup> (13% O <sub>2</sub> )	CO 1244 / -
	Dust 25 / -
	NO <sub>x</sub> 100 / -
	OGC 76 / -
Surface temperature	Pass (operating tool)
Electrical safety	NPD
Clean ability	Pass
Maximum water operating pressure	- bar
Flue gas temperature at nominal heat output	T 194,7 °C
Mechanical resistance (to carry a chimney/flue)	NPD
Thermal output	
Nominal heat output	9,9 kW
Room heating output	9,9 kW
Water heating output	- kW
Energy efficiency at nominal power	$\eta$ 84,20%

# ROCCO - WOOD BURNING COOKER

## Owners' manual - INSTALATION, ADJUSTMENT AND OPERATING INSTRUCTION

### INSTALLING THE COOKER

Cooker must not be set up near the wooden parts, refrigeration parts, plastic furniture and other flammable materials because during operation (during fuel combustion) it achieves high operating temperature that is distributed on the outside of the furnace. Minimum distance between the stove and the surrounding elements is 35 cm, and the from flamable materials 80 cm (also minimum distance between front of cooker and surrounding elements).

If the ground on which you set the cooker is made of easily flammable material (wood, warm floor, laminate ...) you need to set under the cooker a protetion sheet metal - lateral width of 10 cm and 50 cm in the front.

Because of it's weight, the cooker must be installed on the appropriate base. If it does not satisfie necessary standard, you must take appropriate measures to make it possible (eg, weight distribution).

Connect the cooker to a chimney and flue pipes through the connector on top of the furnace, so as to ensure adequate tightness and flow of smoke from the stove to the chimney. Flue pipe must not be drawn too deeply into the chimney that would reduce the cross sectional area and thus undermined draft in the chimney. Do not use reducers which reduce the cross section of pipe smoke.

ROCCO cooker requires insertion of fresh air in the room where it is installed, with surface openings for insertion of fresh air should not be less than 1,2 dm<sup>2</sup>. The unit for fresh air set outside the common room for ventilation, which must be insured by door and grille.

Fans that work in the same room where the cooker is installed may make interference wit the the cooker. Also, all devices or ventilation that creates negative pressure in the room where the cooker is installed, must be set in the way that does not make decompression that prevents normal operation of the furnace.

Before installing the cooker, check the chimney drafts because it is a key factor in the proper functioning of the cooker. Draft depends on the proper opration of the chimney and meteorological conditions. One of the easiest ways to check the draft in the chimney is with a candle flame, as shown in Figure 2 . Put a candle near the chimney connection drain. If the flame bends towards drain, the draft is satisfying (Figure 2b). If the flame doesn't bend or bends a little, that indicates poor draft(Figure 2a).

If there is poor draft in the chimney (Figure 2a), check the chimney operation. The chimney should be located inside the building, and if it's located on the external walls of the building, it's recommended insulation chimney.

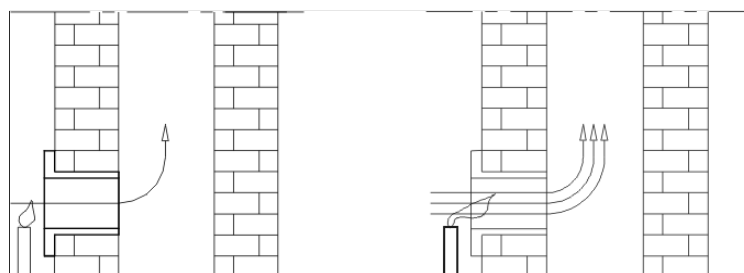


Figure 2a.

Figure 2b.

# ROCCO - WOOD BURNING COOKER

## Owners's manual - INSTALATION, ADJUSTMENT AND OPERATING INSTRUCTION

### Disadvantages of the chimney (Figure 3):

1. The chimney is lower than the top of the roof, a small cross section of the output;
2. Excessive slope;
3. A sudden change of direction of the flue channel;
4. Stove or some other device connected to the same flue channel;
5. Bulges in the flue channel;
6. Cracks;
7. Obstruction or accumulated grime;
8. Tube inserted too deeply;
9. Fan or other device that creates a vacuum in the room;
10. Unsealed or opened cleaning hole.

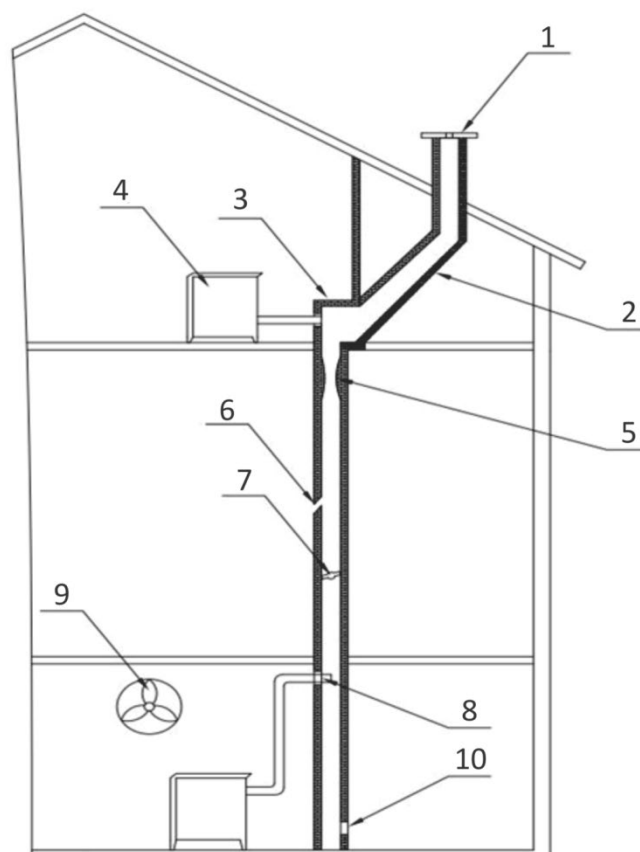


Figure 3.

# ROCCO - WOOD BURNING COOKER

## Owners's manual - INSTALATION, ADJUSTMENT AND OPERATING INSTRUCTION

---

### IGNITION A FIRE

Before the first igniting, wipe all painted surfaces with clean and dry cloth, in order to avoid burning impurity on the oven and creation of unpleasant smells.

Start the fire in the cooker by following order:

- open the firebox door;
- place the fuel into the fire place (chopped wood to non greasy wrinkled paper);
- light a fire;
- leave open primary air regulator until the flame gets stable and after having stabilized the flame, control burning intensity with primary air regulator (Fig. 1, pos. 14);
- secondary air regulator leave opened until the flame gets stable and after having stabilized the flame, control burning intensity with regulator (Fig. 1, poz.18);
- close the firebox door;
- after creating a basic flame insert larger pieces of wood or briquettes in the firebox, and close the firebox door. If you use briquettes as a fuel, you must wait that all briquettes are lit and then reduce the draft in half;
- when adding fuel, (Fig. 1, pos. 16) open the firebox door step by step wait for 4-5 seconds, and then slowly open it wide.

Do not open the firebox door suddenly, when there's a strong flame in the combustion chamber, it may come to it's spreading into the room.

Regulating the draft in the cooker, you can regulate temperature, power and the combustion of fuel, and this is done by running primary air regulator (Fig. 1, pos. 14). Combining primary air regulator and secondary air regulator over the leverage above the firebox door (Fig. 1, pos. 18) you get desired optimal combustion .

**Optimum combustion** is obtained so that after the creation of good embers, wood (two approximately equal pieces of firewood with a total weight of approx. 1.85 kg and a length of approx. 24 cm each) is inserted into the firebox chamber. After inserting the wood and closing the firebox door, the primary air regulator should be opened at 50% of the maximum value for the first minute and for the next 2 minutes at 25% of the maximum value. The secondary air regulator should be at 70% of the maximum capacity (the regulator handle moved about 20 mm to the left of the maximum value) all the time the cooker is in use. The cooker has the possibility of receiving primary and tertiary air from the outside environment - for that variant, it is necessary to place a flexible Ø80 aluminum hose on the cooker and connect it to the outside environment. The specified hose must have protection against the entry of insects, etc. at its end.

# ROCCO - WOOD BURNING COOKER

## Owners's manual - INSTALATION, ADJUSTMENT AND OPERATING INSTRUCTION

---

**Recommended fuels are briquettes and wood.**

**You must not use gasoline and similar fuels, because by using liquid fuels you create conditions for damaging the cooker and to provoce an explosion.**

### **Attention!**

- Do not use organic waste as fuel, food residue, plastic, tyre, combustible or explosive materials, which combustion disturbs the proper functioning of the cooker and may cause damage and environmental pollution;
- Increased ambient temperature can cause poor air circulation (drafts) in the chimney, and in that case is recommended more frequent firing in smaller quantities.
- Avoid using the cooker when there are bad weather conditions for the cooker and in the case of strong wind, because it reflects the required vacuum in the chimney. In these cases there may occur potential return of smoke in the room where the cooker is placed. Ignition is difficult then.

We recommend firing every 40 minutes with the amount of fuel in the combustion chamber up to 10cm high with parallel stacking wood for better airflow.

For correct cooker operation it takes:

- Regular cleaning of the cooker and chimney;
- Regular room ventilation for better combustion;
- Regular ashpan cleaning;
- Accumulated slag and unburned material regularly remove from the firebox chamber.

## **WORKING REGIMES**

There are four working regimes, which could be selected by adjusting the draught in the cooker:

1. **Combined operation mode** - operation mode in which you can cook in the oven, cook on top of the stove and heat the room at the same time. It is necessary to push the handle of the flue gas regulator towards the inside of the stove, adjust the other air regulators as described in the description of optimum combustion on the previous page.
2. **Quick cooking** - during this process it is the hotplate heats up intensively and to be able to do that with small quantity of fuel, draw flue gas regulator handle completely outside, oven door should be shut and move primary air regulator to create medium inlet of the air.
3. **Heating** - for this regime it would be recommended to use wood or briquettes Push the flue gas regulator handle towards the inside of the cooker, move primary air regulator to create medium inlet of the air and the oven's door closed.
4. **Baking** - for this regime push the flue gas register handle towards the inside of the cooker, move primary air regulator to create medium inlet of the air and the oven's door closed after putting the baking pan inside.

# **ROCCO - WOOD BURNING COOKER**

## **Owners's manual - INSTALATION, ADJUSTMENT AND OPERATING INSTRUCTION**

---

### **HANDLING THE COOKER OPERATION**

Start a fire with a moderate flame in order to avoid thermal shocks.

The following amounts of wood are inserted only after the previous volume burn.

Do not allow that ashes and unburned wood accumulate on the firebox grate. Clean the firebox grate.

Open the door slowly and carefully, allowing that way equalization of pressure in the firebox and in the room, otherwise it might cause the smoke in the room.

The cooker is designed and intended for use with firebox door constantly closed, except during refueling. Do not open the door with no need.

The wood must be a maximum of 20% moisture content for maximum fire effect. Otherwise the tar gets separated which with water steam may create creosote. If that happens in some bigger quantity, it may lead to a chimney fire. You will most easily recognize chimney fire by: the characteristic sound that comes out of the chimney like loud roaring, visible flames coming out of the chimney, high ambient temperatures of surrounding walls and the characteristic smell of burning.

If there comes to the fire do the following:

- Immediately call the fire squad;
- Muffle oxygen supply to the chimney and turn off the cooker;
- Do not insert anything into the chimney and make sure that the fire does not spread to the wooden construction or other combustible materials in its nearby;
- DO NOT pour water into the cooker or chimney;
- A fire in the chimney can be extinct only with dry powder;
- Water can extinguish only a surrounding material;
- Do not cool the surrounding walls with water.

Note:

If the fire in the cooker for some reason becomes dangerously strong take the following measures: close air dampers that provide air for combustion. If it is necessary put in the firebox specially prepared sand for this purpose or non-combustible fire blanket. It would be good to have a fire extinguisher.

Before the second charging, clean the grid in order to provide the fresh air.

Regularly clean the ash pan making sure that there is always a place for ashes.

# **ROCCO - WOOD BURNING COOKER**

## **Owners's manual - INSTALATION, ADJUSTMENT AND OPERATING INSTRUCTION**

---

The cooker is designed to operate in periodic mode. To maintain the required nominal power, combustion chamber is periodically filled with prestabled amount of fuel.

Cooker is not designed to operate in continuous mode of heating or in accumulating temperature mode.

### **CLEANING AND MAINTENANCE**

Regular and proper cleaning allows proper operation and long life of the cooker. All cleaning the interior or exterior surfaces are always performed in a cold cooker.

Cleaning exterior surfaces - is done with a soft cloth that will not damage the surface of the stove. Cleaners of chemical origin can damage the surface of the cooker and cannot be used. Painted surfaces must not be cleaned with abrasive products.

Cleaning inter surfaces –when cleaning use protective gloves.

Clean the bottom of the oven from accumulated ash and pick up small unburned pieces of the grid, clean the ashtray and ash accumulated in the interior of the fireplace.

Cleaning glass surfaces - glass on the firebox may get dirty during the operation.. For cleaning use a mild detergent. Do not use abrasive cleaners because they can damage the surface of the glass. Clean the glass only when cooker is cold.

Cleaning and maintenance of the chimney - chimney cleaning and control is recommended at least once a year and after a long downtime. Regular maintenance and control of the chimney will prevent the occurrence of fire and poor operation of the stove. We recommend that chimney cleaning and maintenance be performed by authorized and trained persons - companies.

# ROCCO - WOOD BURNING COOKER

## Owners's manual - INSTALATION, ADJUSTMENT AND OPERATING INSTRUCTION

### Malfunctions - Recommendations for their eliminations

The following table shows the most common defects and recommendations for their removal.  
Table: Showing the most common malfunctions, possible causes and ways of eliminating it.

Malfunction	Possible cause	Howe to remove it
Oven heats poorly	Improper handling; Faulty chimney	Read carefully and follow the instructions. In the case that despite all instructions have been respected, malfunctions are still not removed, call the customer service.
Difficulties in lighting fire	Closed regulator of air supply; Wet wood; Lack of oxygene.	Open the regulator of air supply and provide a supply of a primary air; Use a dry wood; Ventilate a room in order to provide a supply of fresh air.
Smoke reenters into a room	Closed regulator of air supply, Insufficient draft, Remainings of ashes on a grid	Open the regulator of air supply and provide a supply of a primary air; Read carefully the instructions and apply advices how to provide a draft; Clean the grid.
Glass on a firebox door are getting sooty for a while	Wet wood; Too much fuel; Insufficient draft; Closed intake of secondary air	Use a dry wood; Check a suggested quantity of a fuel provided in a user's manual; Check a connection with a chimney; Read carefully the instructions and apply advices how to provide secondary air.

### GENERAL RECOMMANDATION

If all the recommendations for installation, operation regulation and cleaning, given in this manual, are met, the stove is a tested and safe appliance for household use.

Before installing the stove, remove the package. Be aware of potential injuries because the wooden slats are connected with nails. Dispose a plastic bag in accordance with the regulations. Old stove you do not want to use anymore, dispose to designated areas in accordance with the regulations.

All complaints, perceived failure or malfunctioning stoves, should be reported to the factory or authorized service center by telephone or in written, only with fiscal receipt. All contact information provided at the end of this guide.

Any malfunction of the cooker, must be removed by the manufacturer's service only.

If unauthorized persons carry out any servicing or repairs and alterations to the stove, the owner loses the right to the manufacturer's warranty.

# **ROCCO - WOOD BURNING COOKER**

## **Owners's manual - INSTALATION, ADJUSTMENT AND OPERATING INSTRUCTION**

---

Supply of spare parts has to be done via manufacturer's service, based on the position and image of this manual.

The manufacturer does not assume any responsibility if the buyer fails to comply with the instructions for use and installation of the cooker.

## **ADVICES FOR ENVIRONMENT PROTECTION**

### **PACKAGING**

Packaging material is 100% recyclable.

For a waste disposal of, act in accordance with local regulations.

Packaging material (plastic bags, polystyrene parts-polystyrene, etc.) should be kept away from children, as a potential source of danger.

Take care of safe removing and disposing of wooden boards because they are connected with nails.

### **PRODUCT**

The device is made of materials that can be recycled. When disposing the waste, act in accordance with enviromental laws in effect.

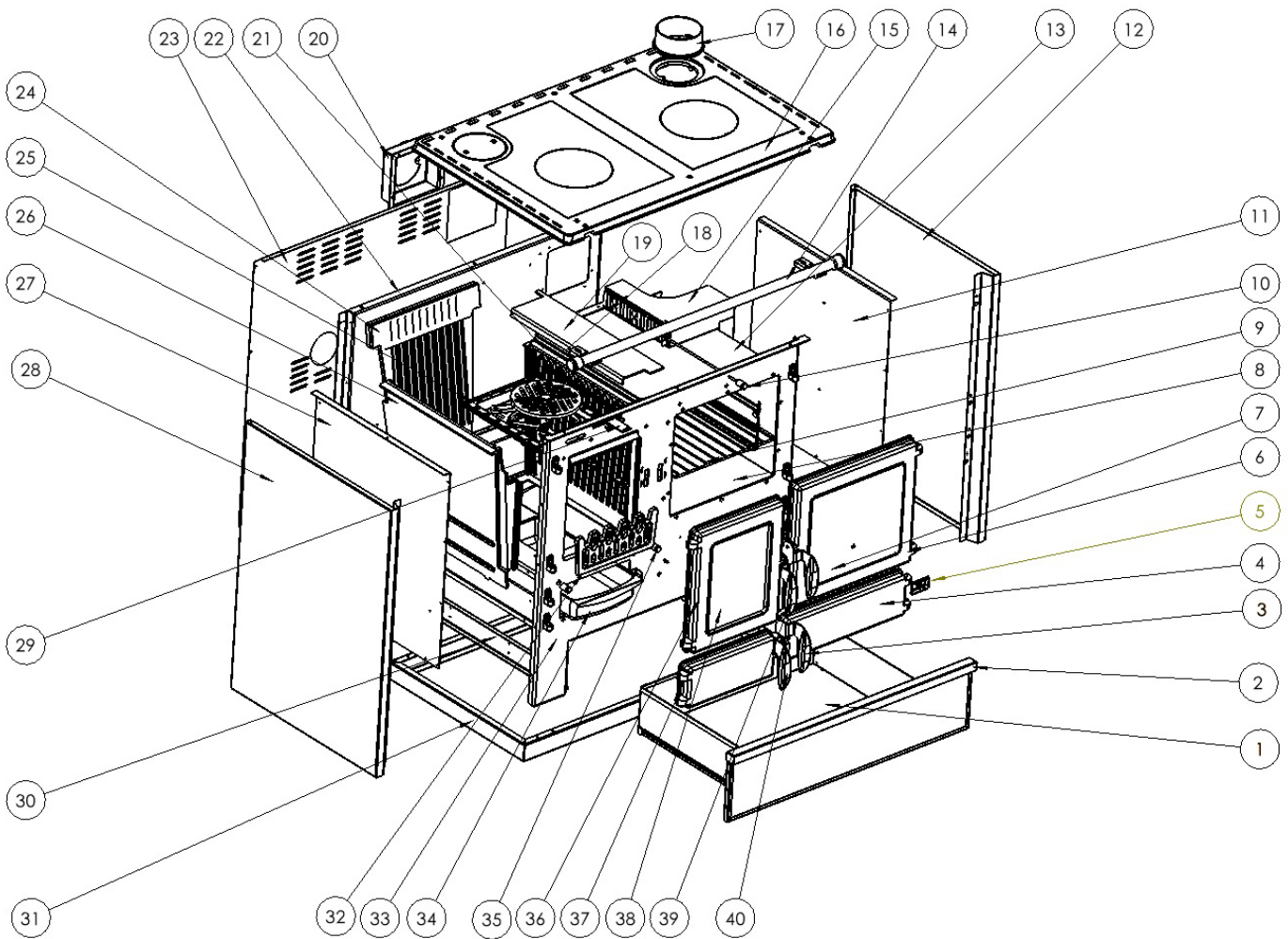
Use only the recommended fuel.

It is forbidden burning an inorganic and organic materials (plastics, tyres, plywood, textile, oiled wood, etc..), because the combustion releases carcinogenic materials and other toxics.

# ROCCO - WOOD BURNING COOKER

Owners's manual - INSTALATION, ADJUSTMENT AND OPERATING INSTRUCTION

## WOOD BURNING COOKER "ROCCO"



# **ROCCO - WOOD BURNING COOKER**

## **Owners' manual - INSTALATION, ADJUSTMENT AND OPERATING INSTRUCTION**

---

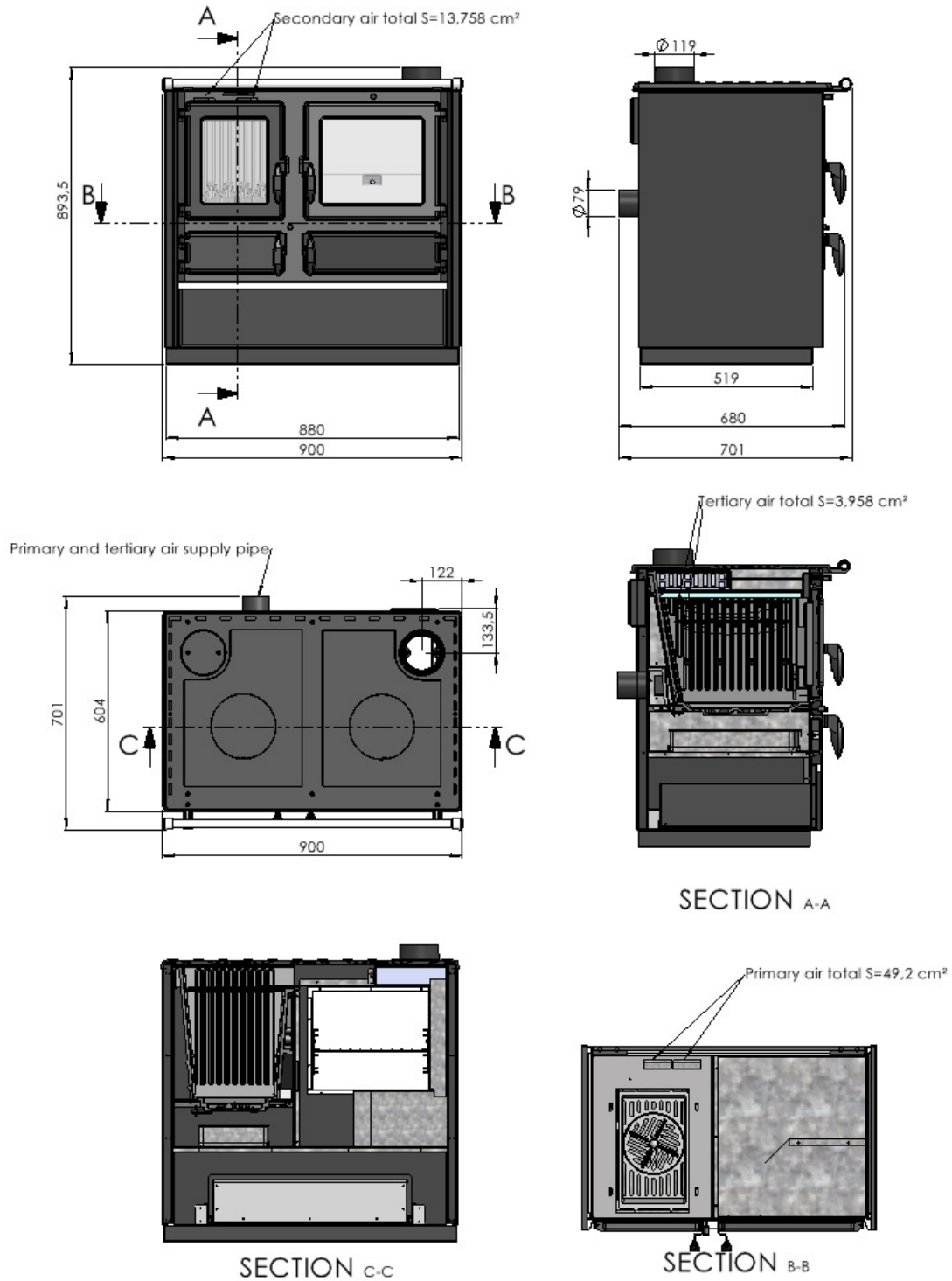
### **List of all positions on the "ROCCO" cooker**

1. Drawer for NOT-flammable materials assembly
2. Drawer for NOT-flammable materials handle
3. Cleaning hatch door handle
4. Cleaning hatch door
5. Oven thermometer
6. Oven door
7. Oven door glass
8. Oven assembly
9. Oven grid
10. Flue gas regulator handle
11. Inner side plate right
12. Side plate right
13. Oven protector
14. Protection rail assembly
15. Flue gas regulator assembly
16. Top plate assembly
17. Smoke exhaust
18. Circular grid
19. Upper deflector
20. Smoke exhaust box
21. Right side of the firebox assembly
22. Back side assembly
23. Decorative back side
24. Back side of the firebox
25. Circular grid carrier
26. Left side of the firebox
27. Inner side plate left
28. Side plate left
29. Secondary air regulator assembly
30. Drawer carrier assembly
31. Base
32. Firebox door glass protector
33. Front plate assembly
34. Ashtray
35. Primary air regulator assembly
36. Firebox door
37. Ashtray door
38. Firebox door glass
39. Firebox door handle
40. Ashtray door handle

# ROCCO - WOOD BURNING COOKER

## Owners's manual - INSTALATION, ADJUSTMENT AND OPERATING INSTRUCTION

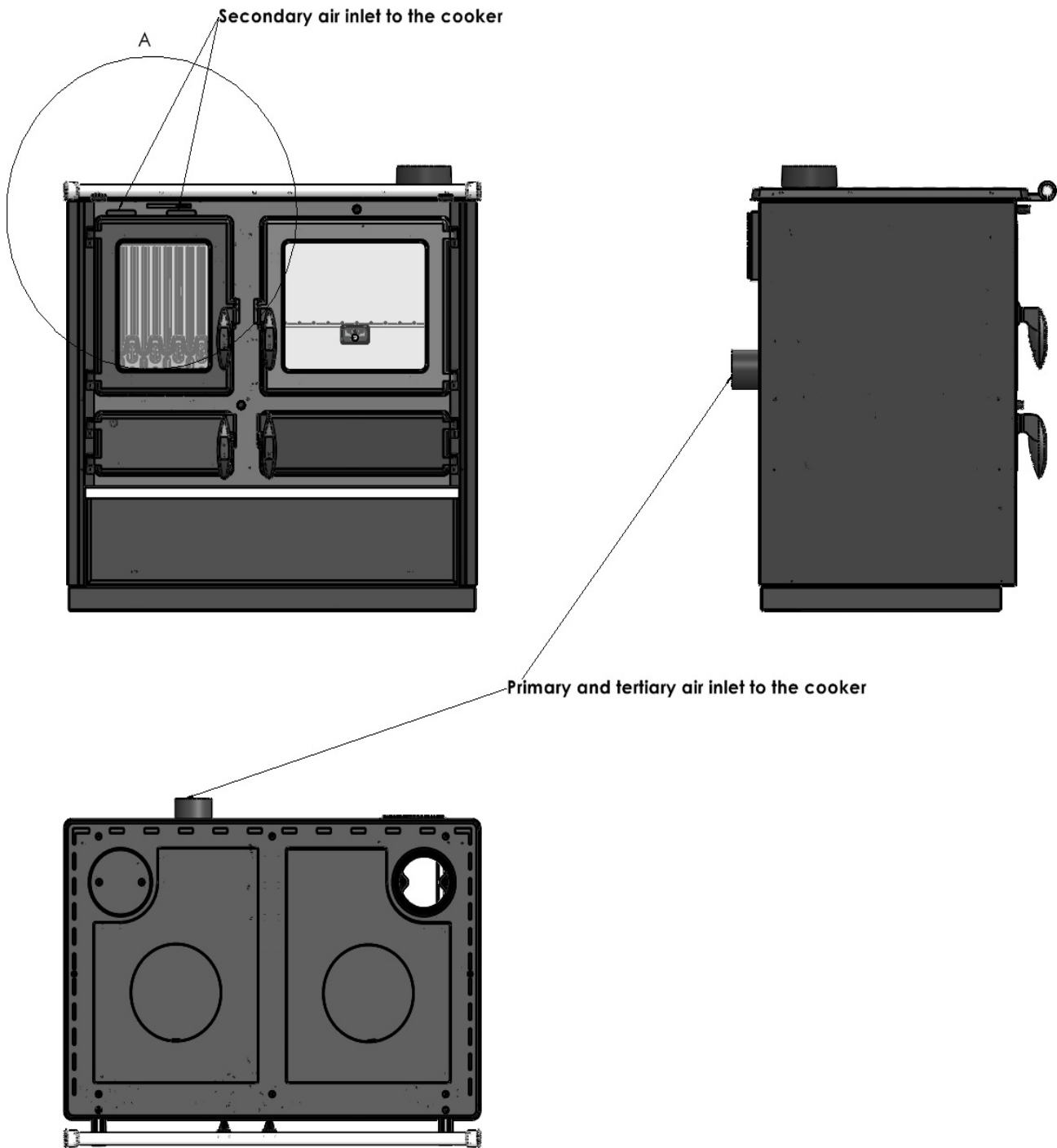
### DIMENSIONS OF THE COOKER



# ROCCO - WOOD BURNING COOKER

Owners' manual - INSTALATION, ADJUSTMENT AND OPERATING INSTRUCTION

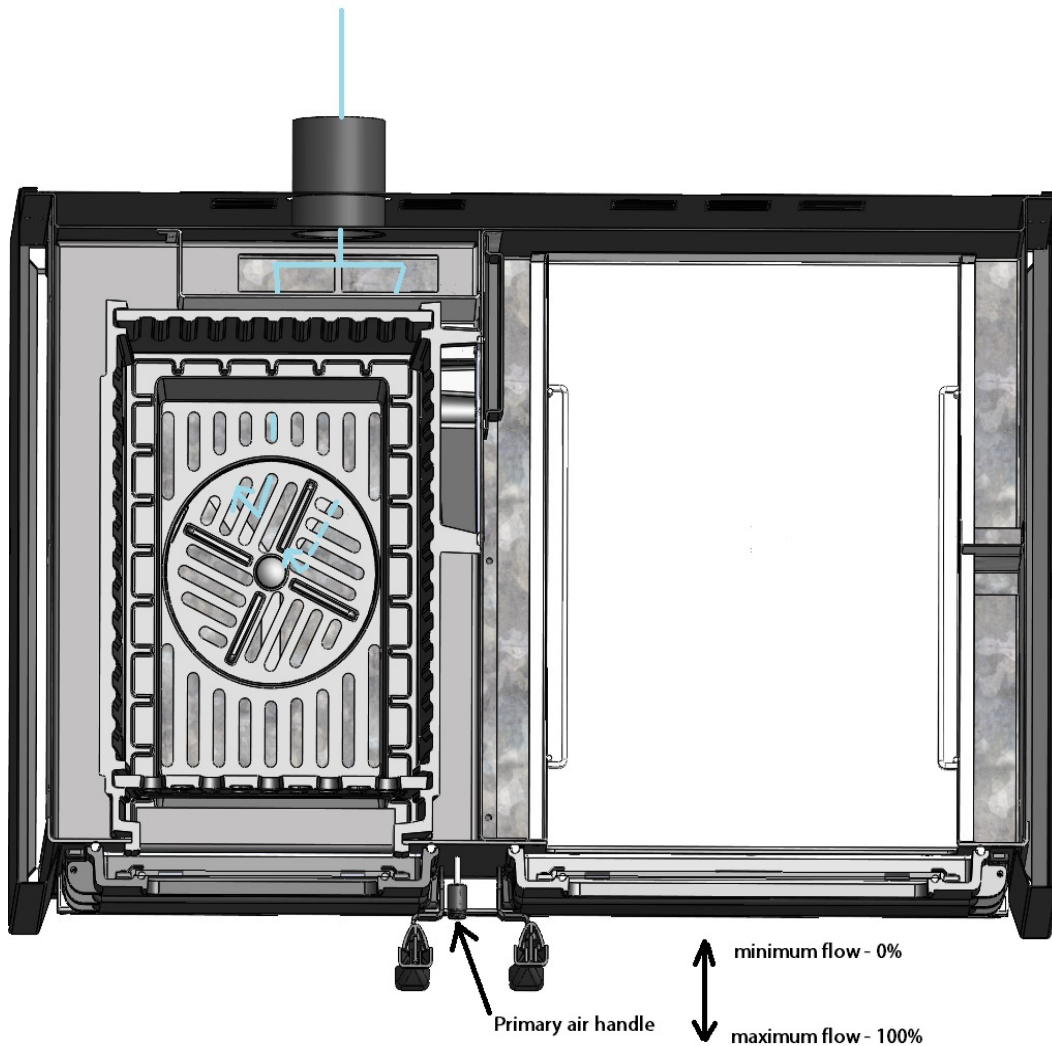
## Movement of cold air from around the cooker to the firebox



# ROCCO - WOOD BURNING COOKER

Owners's manual - INSTALATION, ADJUSTMENT AND OPERATING INSTRUCTION

## Primary air supply



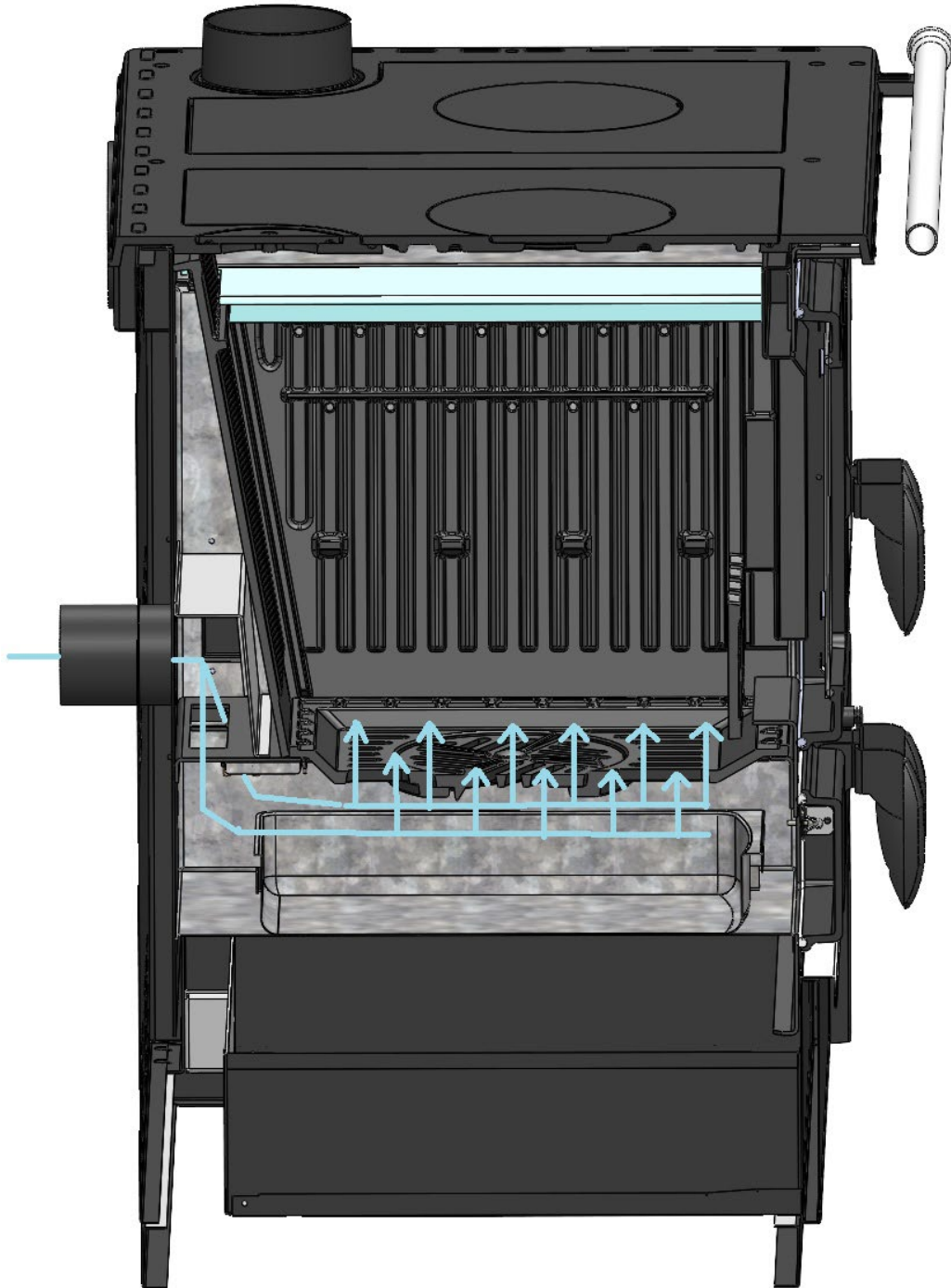
Primary air is supplied from the room where the cooker is located or from the outside through a pipe on the back of the cooker. The primary air then passes through the two rectangular openings on the firebox support and enters the zone below the firebox grate, where it fans the fire through the firebox grate support and the firebox grate.

The area of one rectangular is 24,6 square centimeters. The total area rectangular openings of the primary air is 49,2 square centimeters.

# ROCCO - WOOD BURNING COOKER

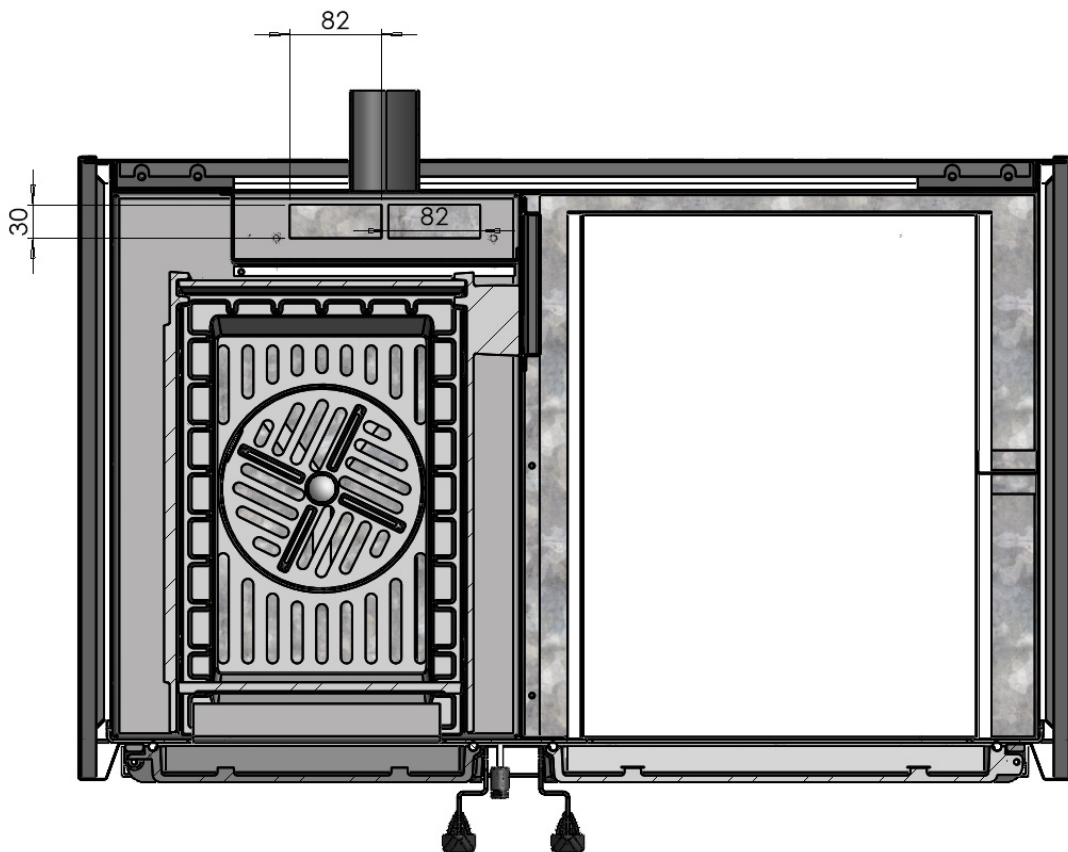
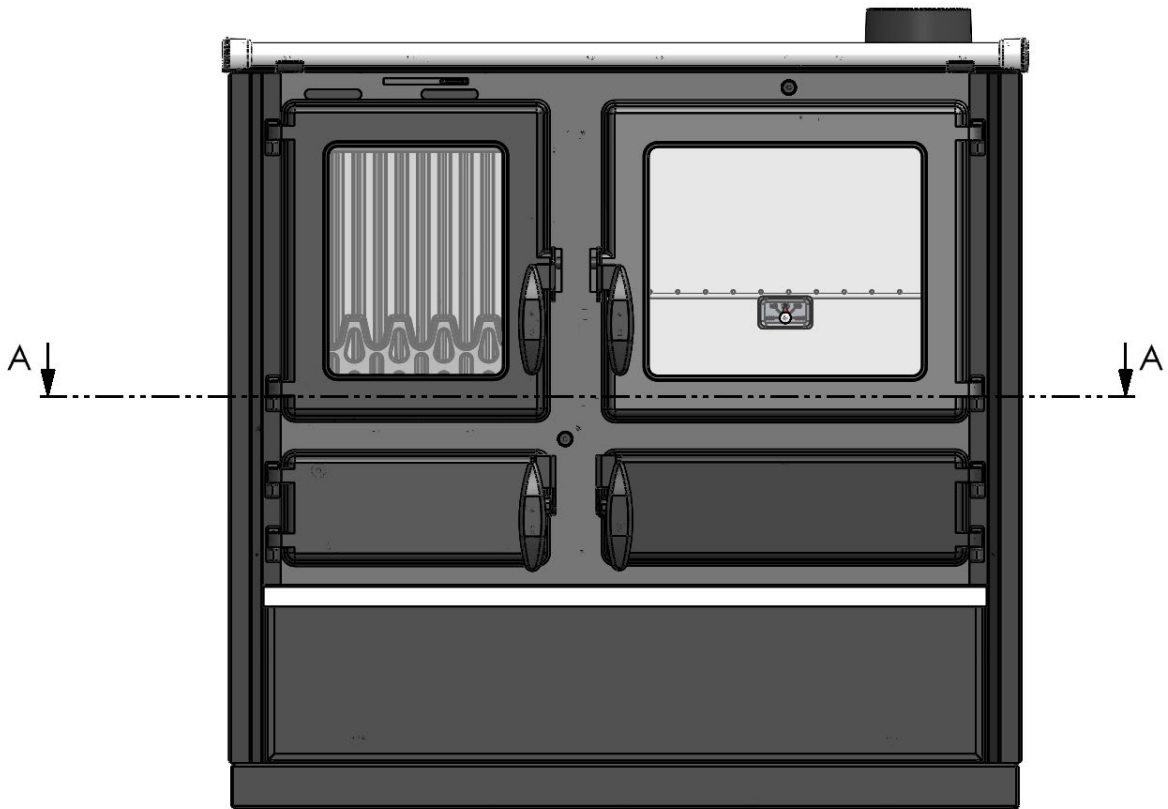
Owners's manual - INSTALATION, ADJUSTMENT AND OPERATING INSTRUCTION

---



# ROCCO - WOOD BURNING COOKER

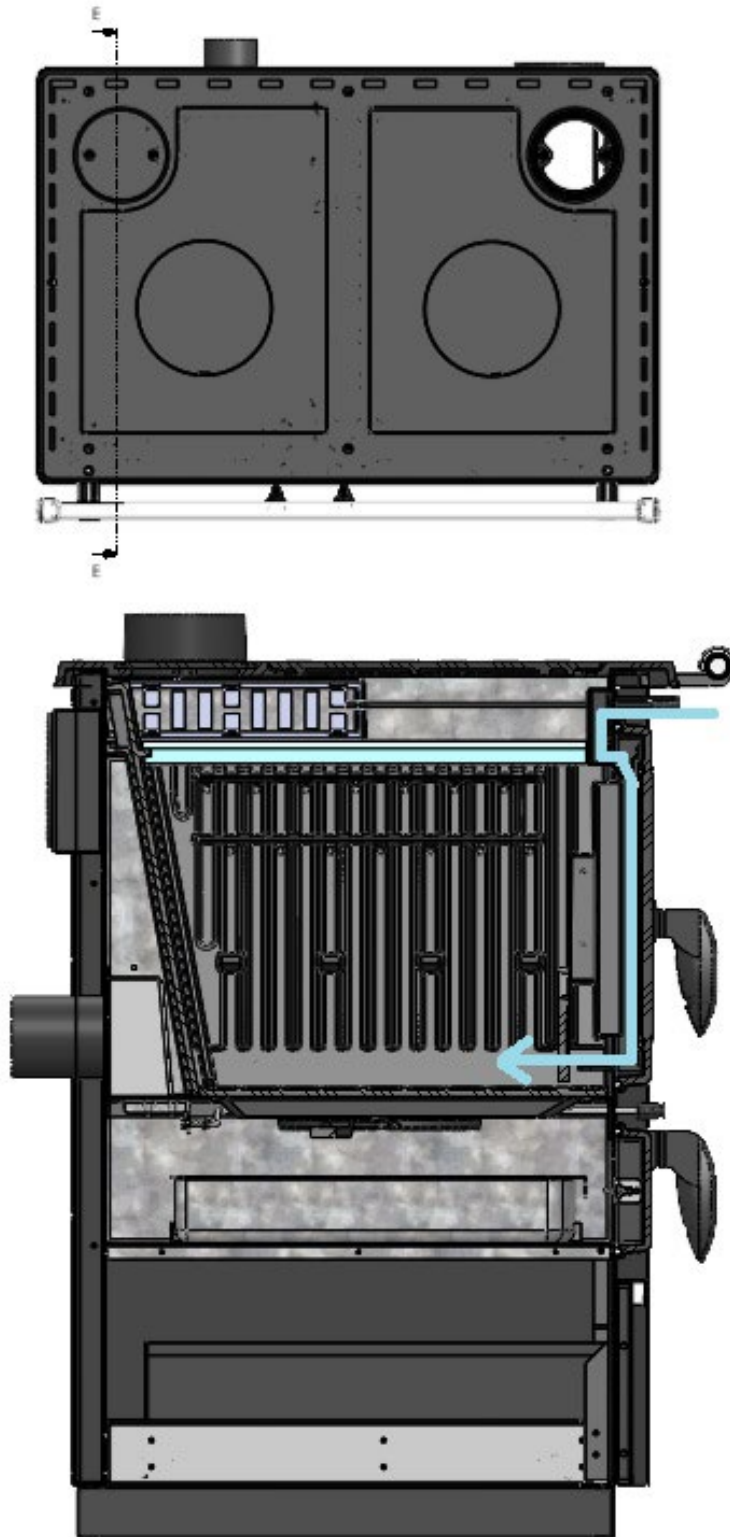
Owners's manual - INSTALATION, ADJUSTMENT AND OPERATING INSTRUCTION



# ROCCO - WOOD BURNING COOKER

Owners's manual - INSTALATION, ADJUSTMENT AND OPERATING INSTRUCTION

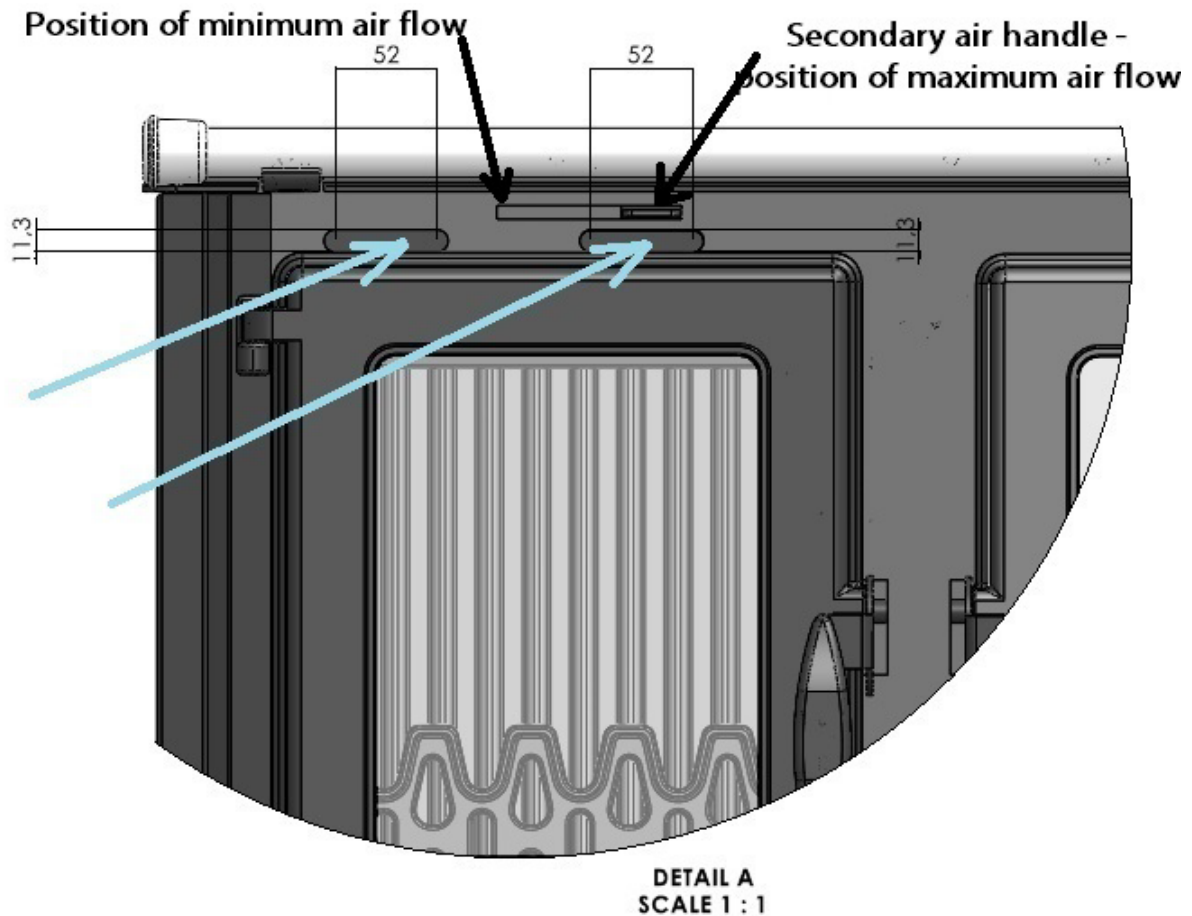
## Secondary air supply



SECTION E-E  
SCALE 1 : 2

## ROCCO - WOOD BURNING COOKER

### Owners's manual - INSTALATION, ADJUSTMENT AND OPERATING INSTRUCTION



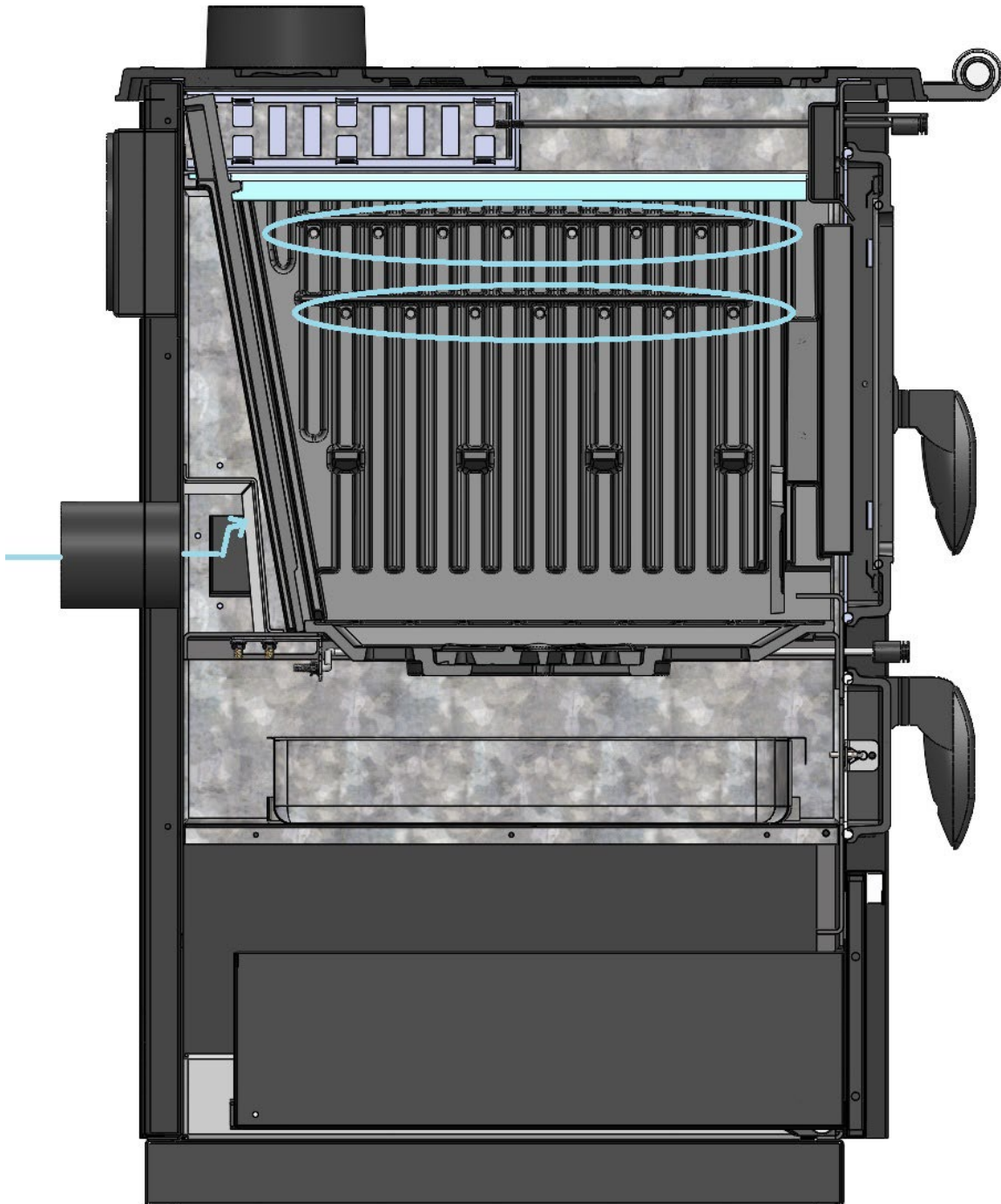
The supply of secondary air consists of two holes on the front side of the cooker, secondary air box and secondary air handle. The area of one hole is 6,879 square centimeters. The total area holes of the secondary air is 13,758 square centimeters. Secondary air from the room where the cooker is located passes through two holes and is directed in the secondary air box to the glass of the firebox door and then enters the firebox zone.

Note: The dimensions shown in the picture are in millimeters

# ROCCO - WOOD BURNING COOKER

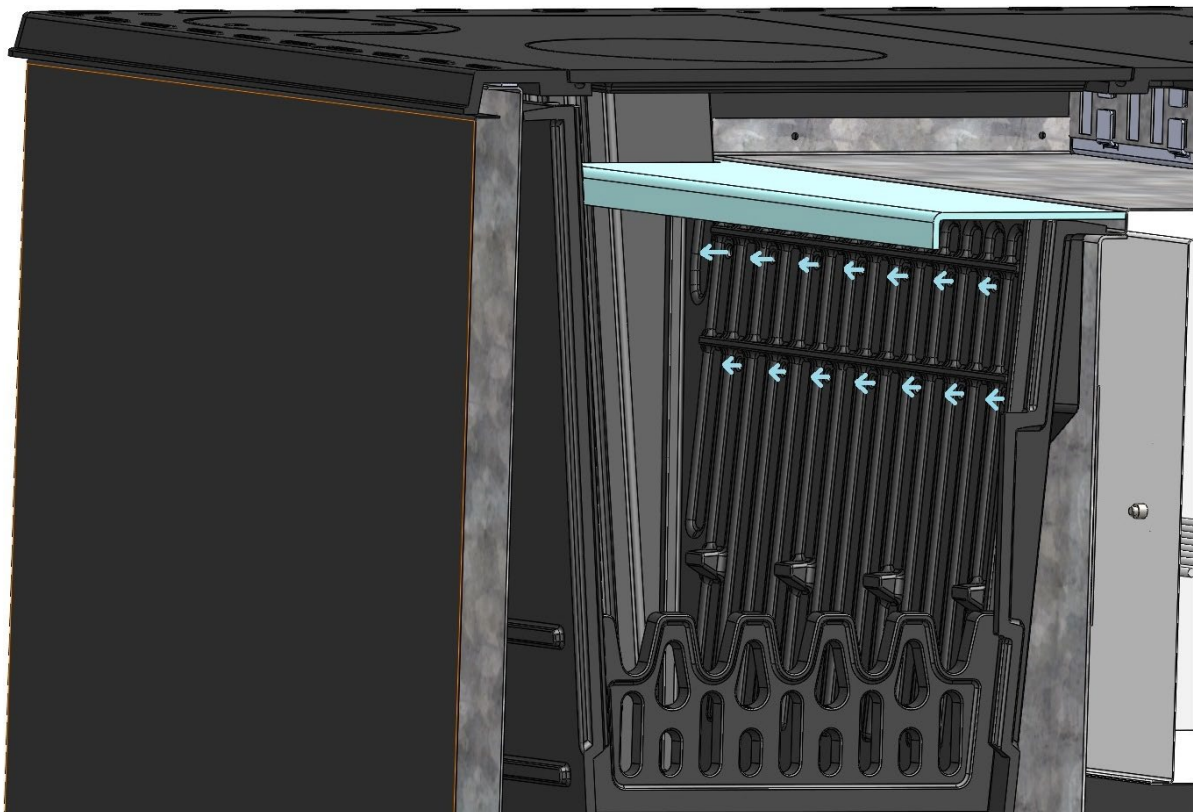
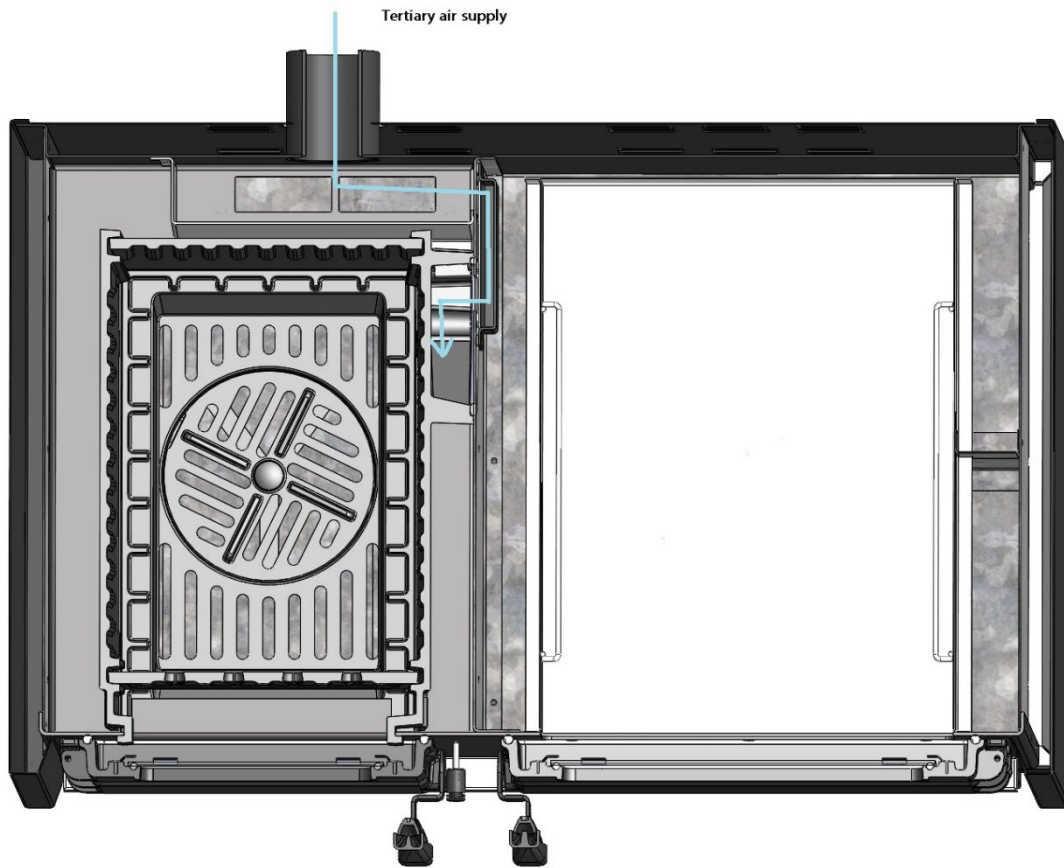
Owners's manual - INSTALATION, ADJUSTMENT AND OPERATING INSTRUCTION

## Tertiary air supply



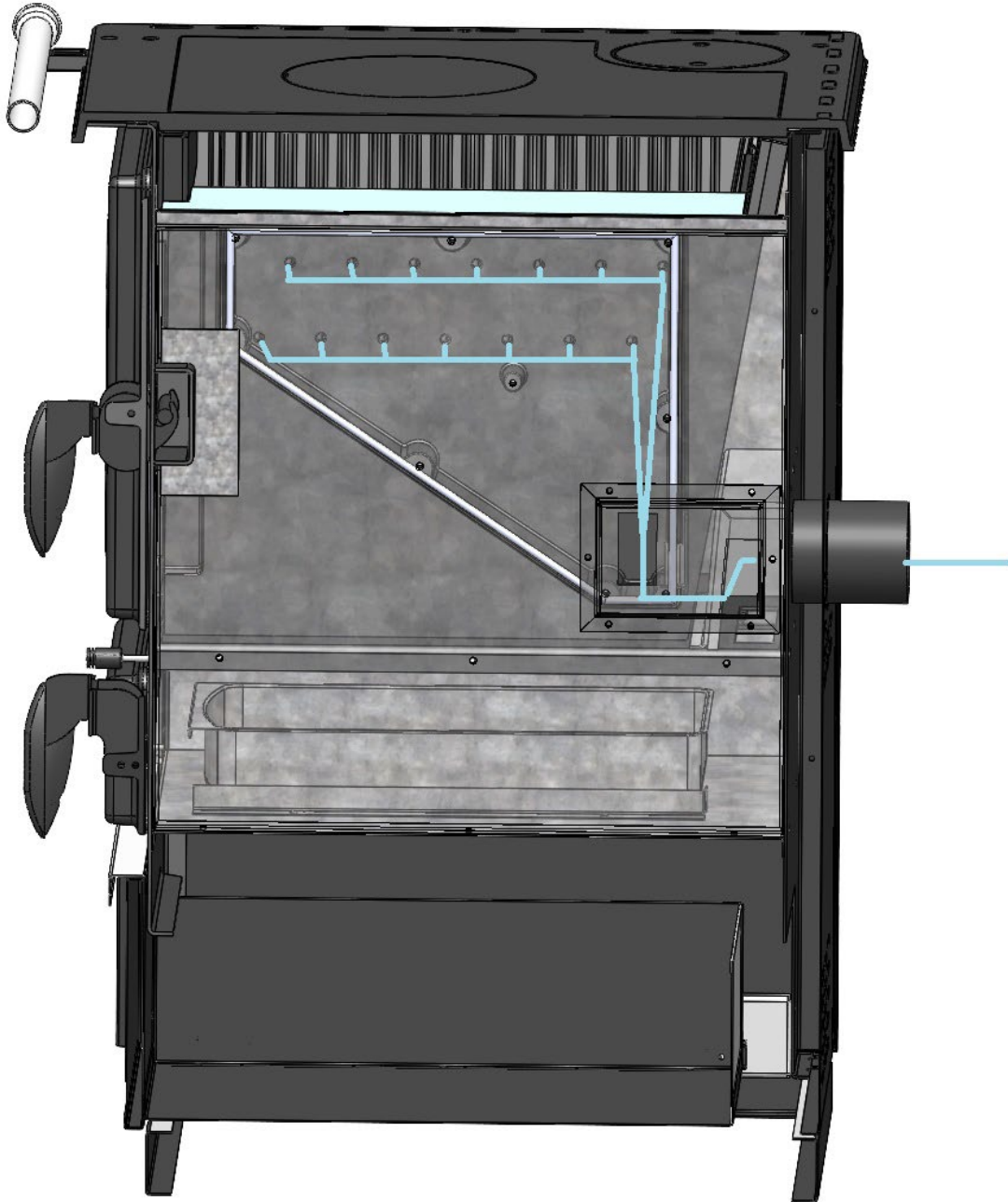
# ROCCO - WOOD BURNING COOKER

## Owners's manual - INSTALATION, ADJUSTMENT AND OPERATING INSTRUCTION



## ROCCO - WOOD BURNING COOKER

### Owners's manual - INSTALATION, ADJUSTMENT AND OPERATING INSTRUCTION

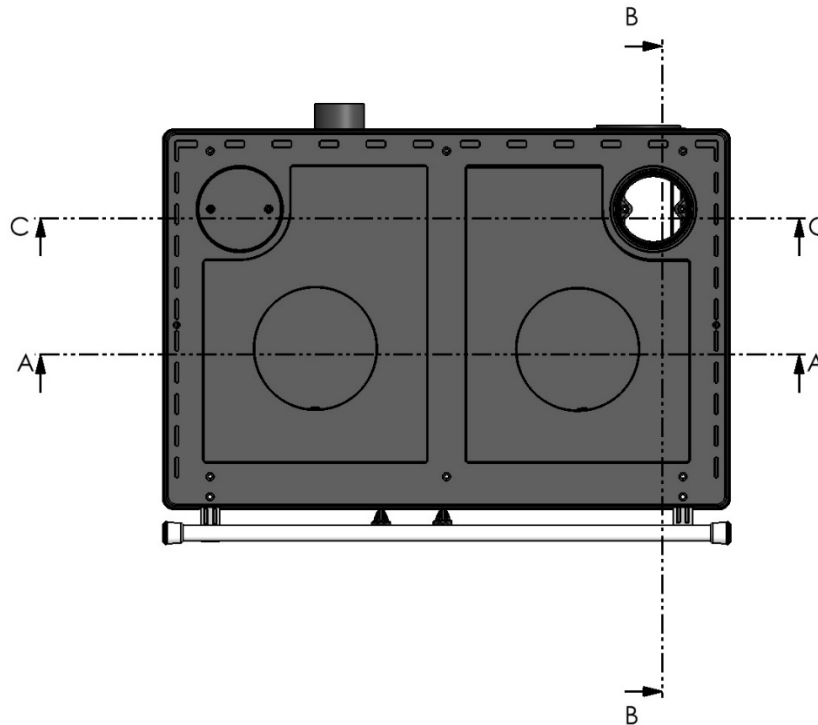


Tertiary air is supplied from the room where the cooker is located or from the outside through a pipe on the back of the cooker. Tertiary air then passes twice through the firebox barrier assembly to finally enter the firebox zone through the holes on the right side of the firebox. On the right side of the firebox there are 14 holes for tertiary air with a diameter of 6 mm. The total area of the tertiary air holes on the right side of the firebox is 3,958 square centimeters. The cooker does not have a regulation of tertiary air.

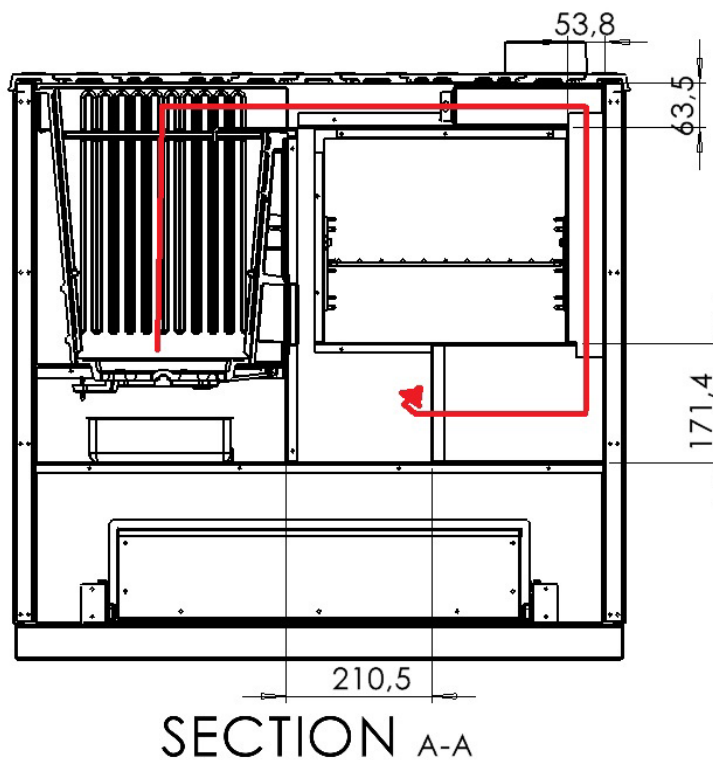
# ROCCO - WOOD BURNING COOKER

Owners's manual - INSTALATION, ADJUSTMENT AND OPERATING INSTRUCTION

## Movement of warm air from the firebox to the chimney connection

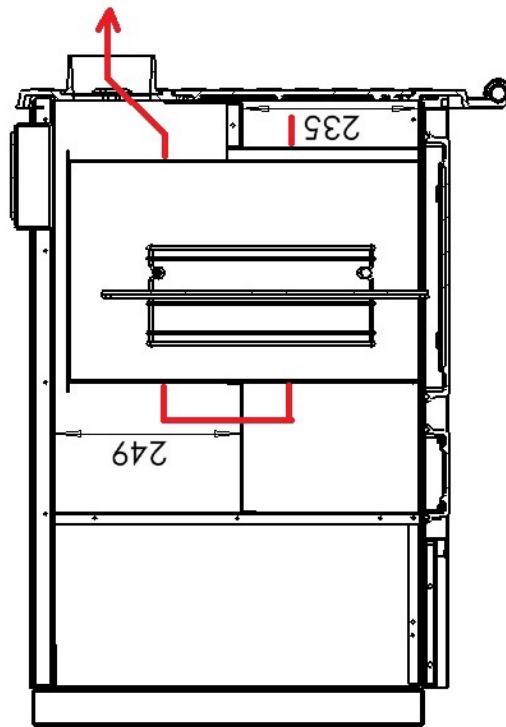


### Variant 1 – Flue gas regulator minimum opening

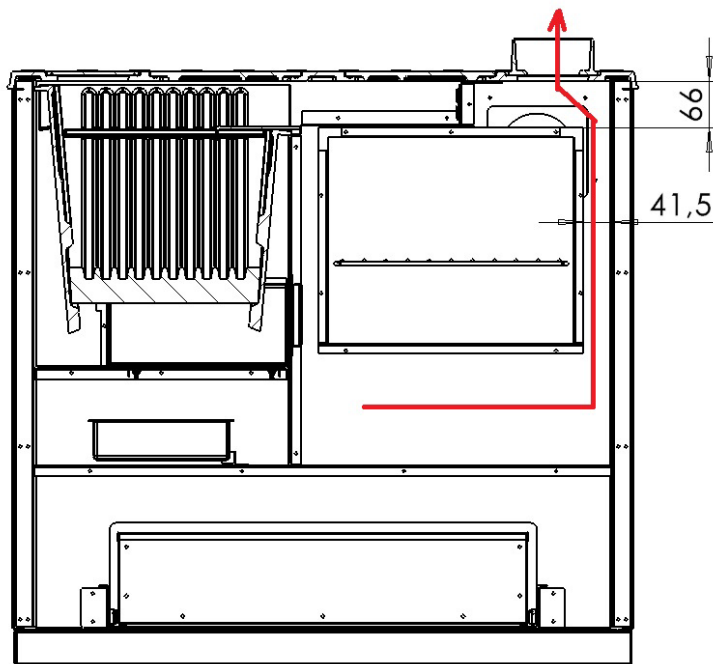


# ROCCO - WOOD BURNING COOKER

Owners's manual - INSTALATION, ADJUSTMENT AND OPERATING INSTRUCTION



SECTION B-B

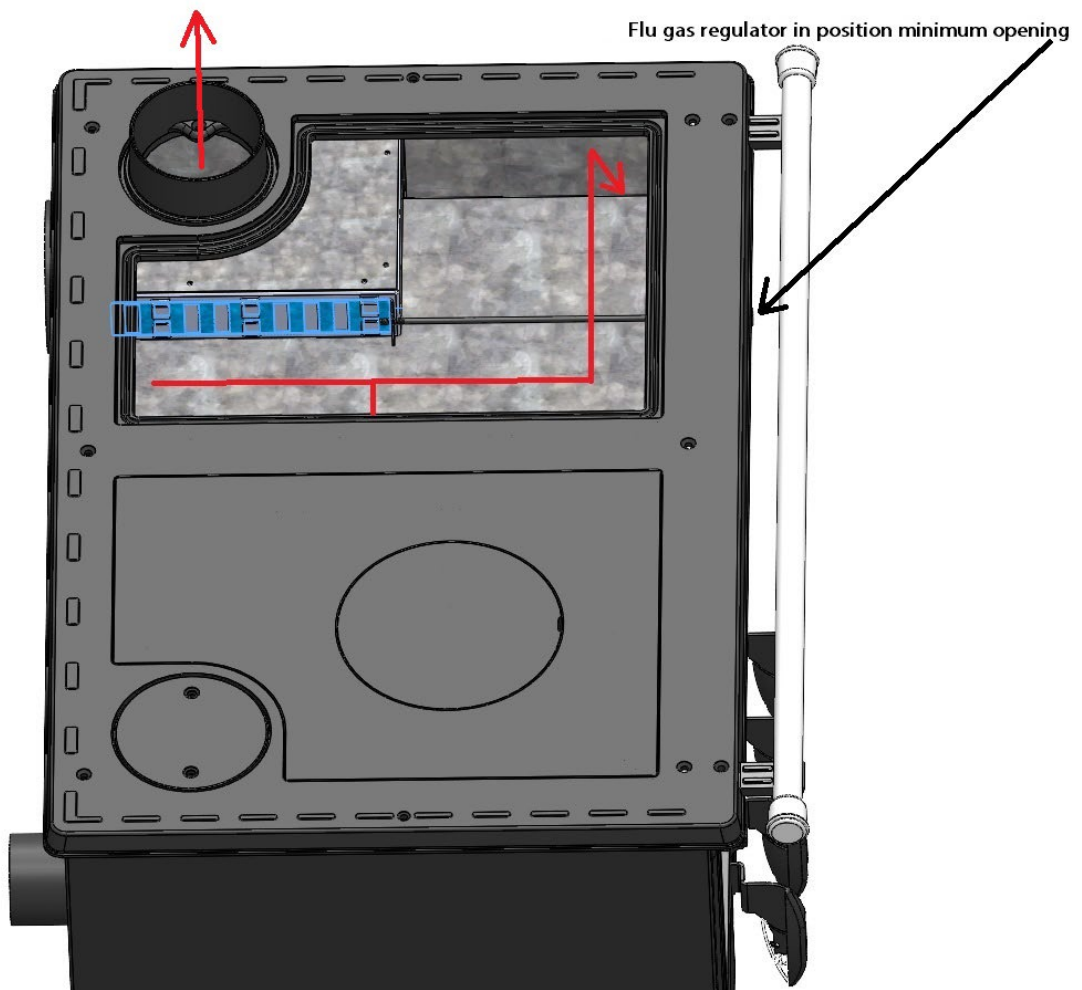


SECTION C-C

# ROCCO - WOOD BURNING COOKER

## Owners's manual - INSTALATION, ADJUSTMENT AND OPERATING INSTRUCTION

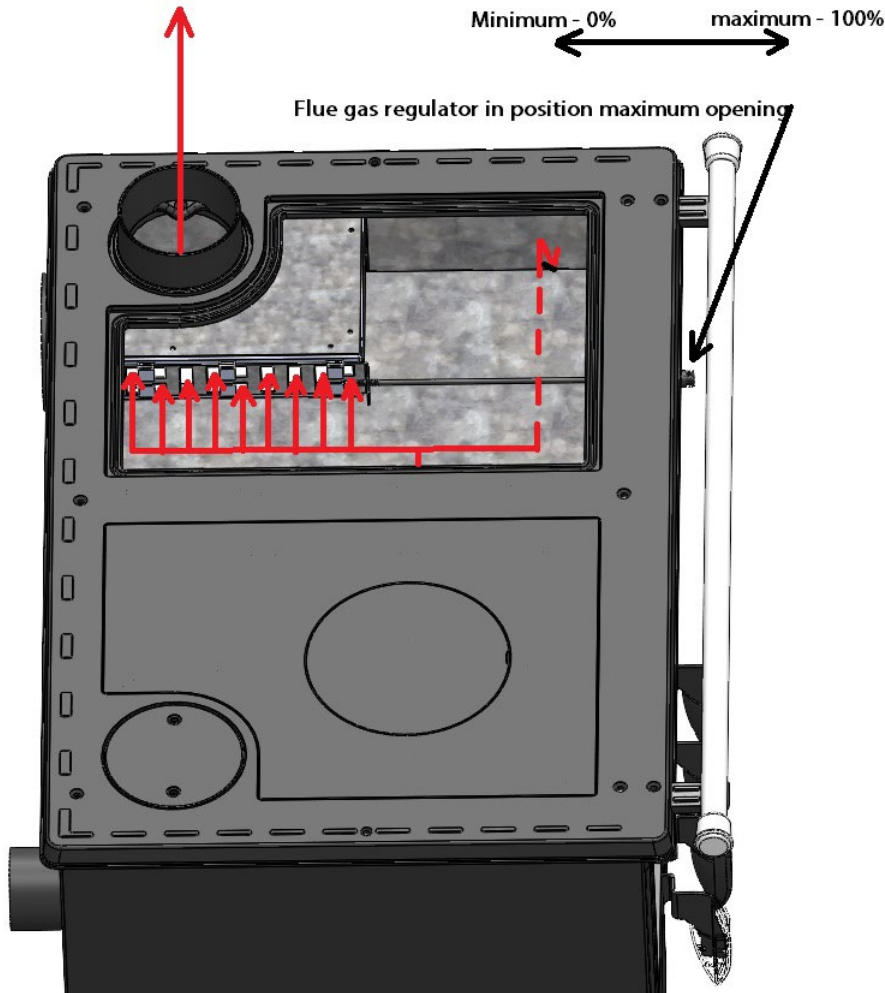
---



# ROCCO - WOOD BURNING COOKER

## Owners's manual - INSTALATION, ADJUSTMENT AND OPERATING INSTRUCTION

### Variant 2 – Flue gas regulator maximum opening



#### NOTE:

Variant 2 - the flue gas regulator above the oven, maximally open, is used when the fire is lit, the gases go the closest way through the chimney and small part of the gases goes around the oven and heats it.

Variant 1 is used when the flame is stable and we want to heat the oven to prepare food.

## **ROCCO - WOOD BURNING COOKER**

Owners's manual - INSTALATION, ADJUSTMENT AND OPERATING INSTRUCTION

---

**OBLIGATORY!**

**READ MANUAL BEFORE STARTING THE COOKER.**



„TIM SISTEM“ DOO  
Prva industrijska br.9  
22330 Nova Pazova  
Republic of Serbia  
Tel: +381 22 328 076  
e-mail: [office@timsistem.rs](mailto:office@timsistem.rs)  
web: [www.timsistem.rs](http://www.timsistem.rs)