**READ ME !** ⚠

Thank you for purchasing a Slimpro Rack Decking Panel Small.

Before you start, take a moment to familiarize yourself with the Fitting Instructions and the included components.

Refer to Page 2 for a list of all the components, quantities and tools required.

IMPORTANT WARNING! ⚠

IT IS CRITICAL THAT ALL FRONT RUNNER PRODUCTS BE PROPERLY AND SECURELY ASSEMBLED AND ATTACHED TO YOUR VEHICLE. IMPROPER ATTACHMENT COULD RESULT IN AN AUTOMOBILE ACCIDENT, AND COULD CAUSE SERIOUS BODILY INJURY OR DEATH. YOU ARE RESPONSIBLE FOR ASSEMBLING AND SECURING ALL FRONT RUNNER PRODUCTS TO YOUR VEHICLE, CHECKING THE ATTACHMENTS PRIOR TO USE, AND PERIODICALLY INSPECTING THE PRODUCTS FOR ADJUSTMENT, WEAR AND DAMAGE. THEREFORE, YOU MUST READ AND UNDERSTAND ALL OF THE INSTRUCTIONS AND PRECAUTIONS SUPPLIED WITH YOUR FRONT RUNNER PRODUCT PRIOR TO INSTALLATION OR USE. IF YOU DO NOT UNDERSTAND ALL OF THE INSTRUCTIONS AND CAUTIONS, OR IF YOU HAVE NO MECHANICAL EXPERIENCE AND ARE NOT THOROUGHLY FAMILIAR WITH THE INSTALLATION PROCEDURES, YOU SHOULD HAVE THE PRODUCT INSTALLED BY A PROFESSIONAL INSTALLER OR OTHER QUALIFIED PERSONNEL.

NOTE: Front Runner will not be responsible for any damage caused by the failure to install the product according to these instructions.

Please call us if you have any questions about the installation of this product.

1

GET ORGANIZED

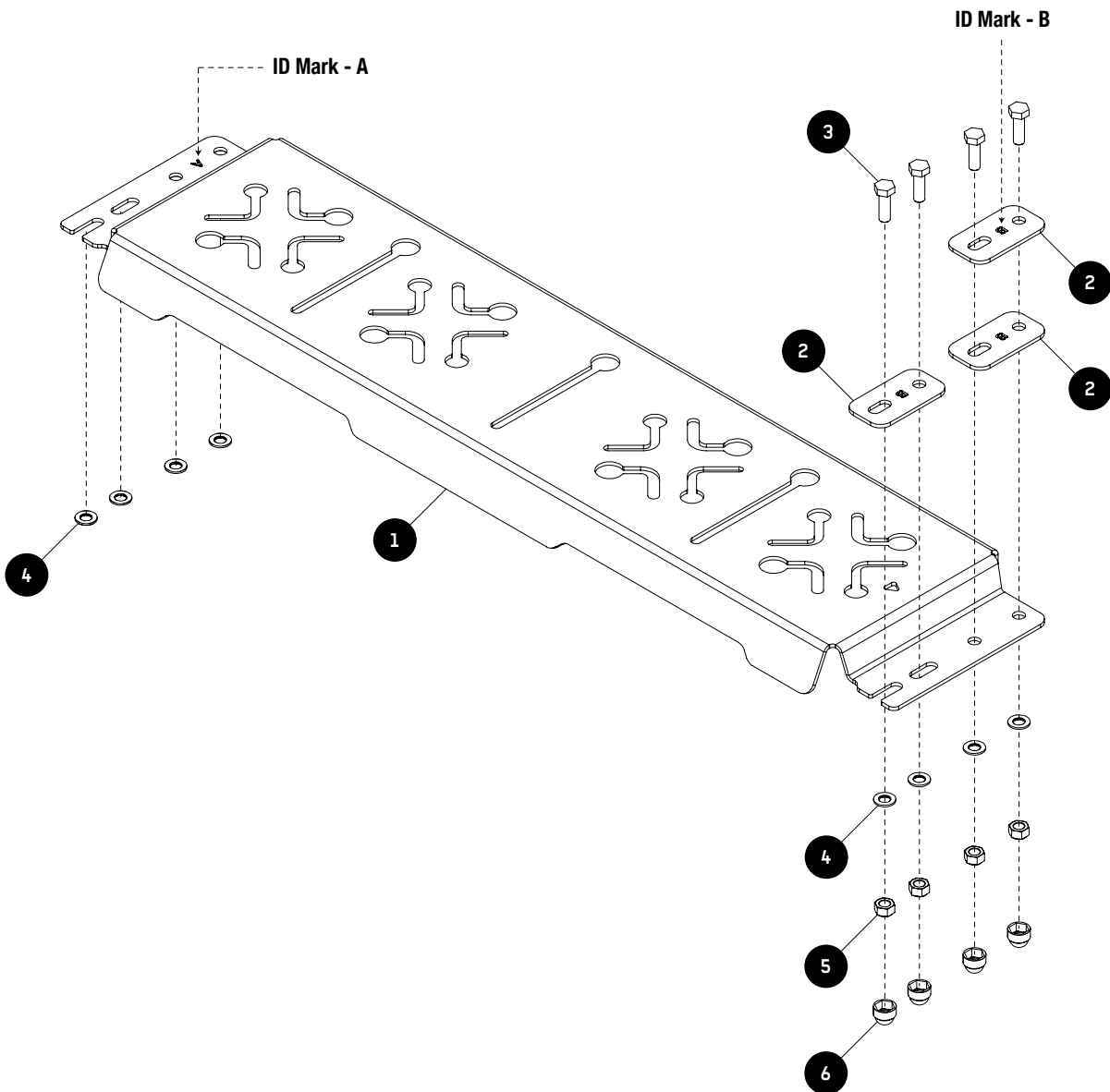
IN THE BOX

1	1 X	Slimpro Decking Panel Small
2	3 X	Small Decking Panel Spacer
3	4 X	M8x25 Hex Bolt
4	8 X	M8x16x1.6 Flat Washer
5	4 X	M8 Nyloc Nut
6	4 X	M8 Nut Cap

TOOLS NEEDED



FIGURE 1.1



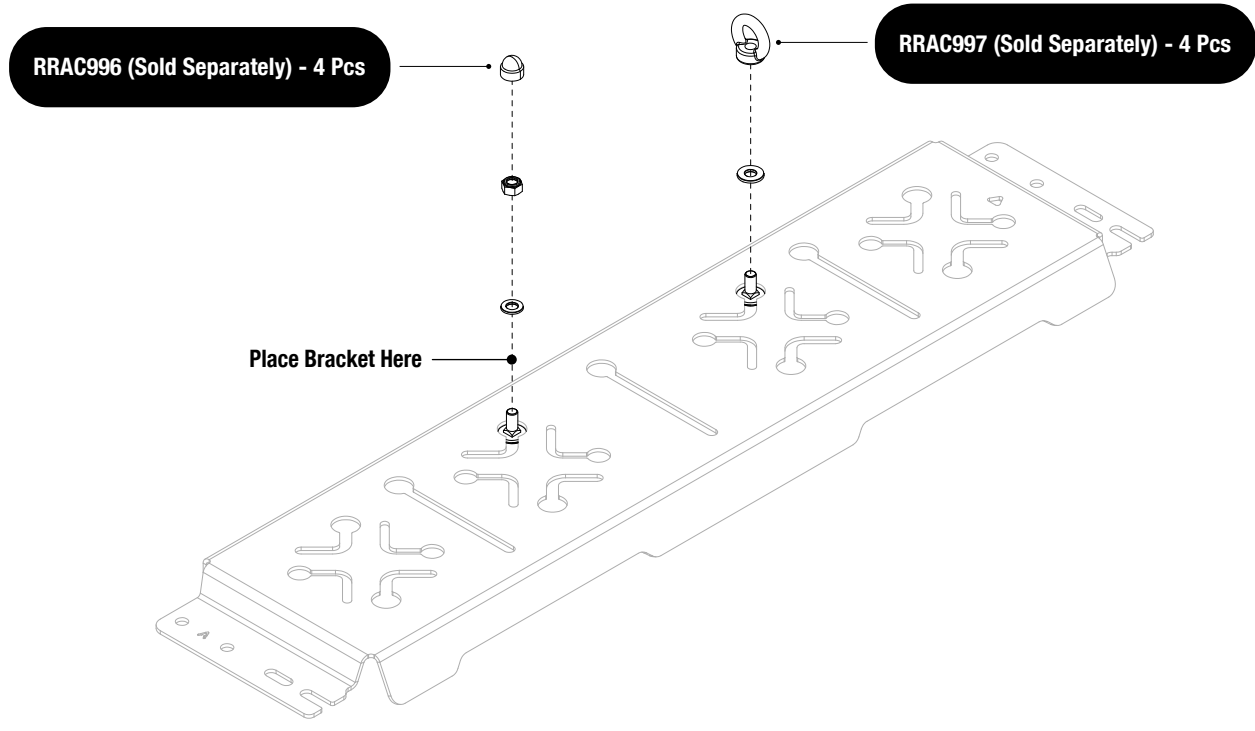
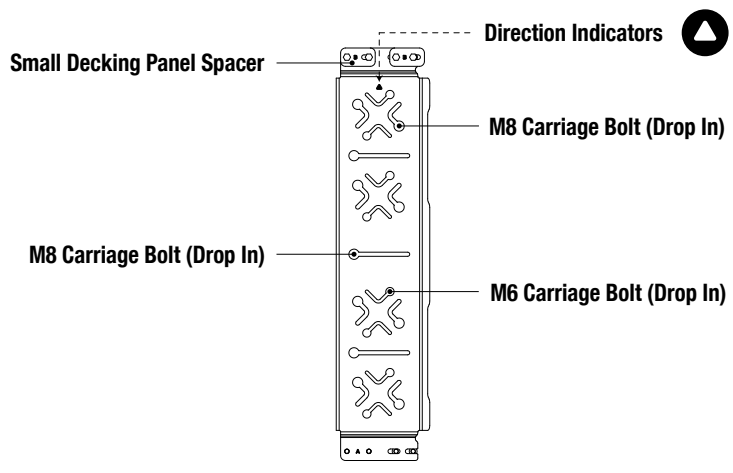
The Small Decking Panel works with a Medium Decking Panel when mounted.

1

FIT AND SECURE

1.2

Before starting the assembly, take note of the mounting options below.

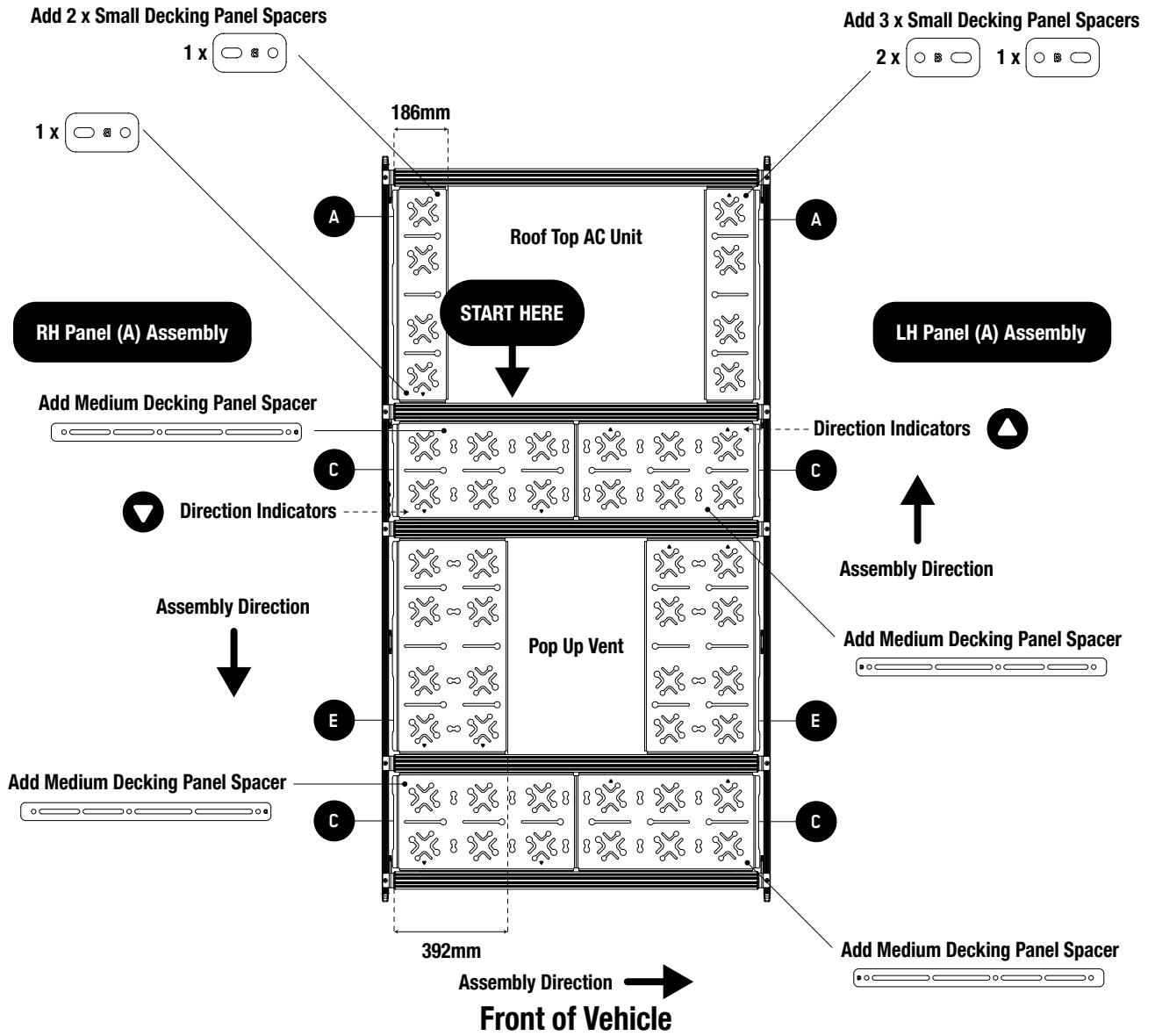


2

FIT AND SECURE - ROOF TOP AC / POP UP VENT CONFIGURATION

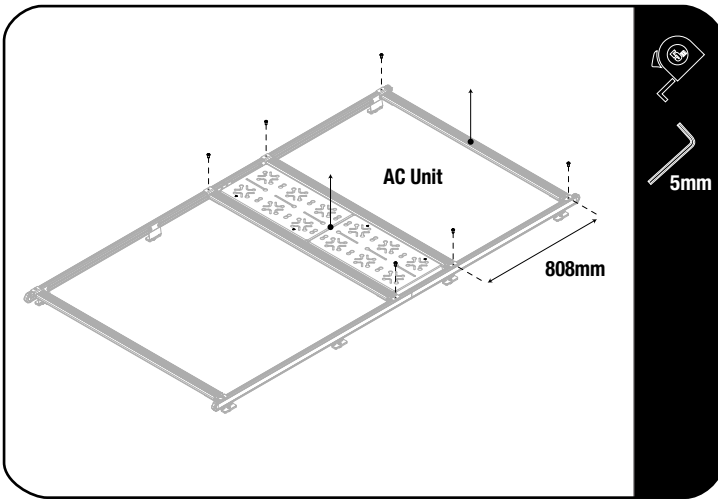
2.1

Before starting the assembly, take note of the configuration options below.



TIP: When multiple Decking Panels are installed, always start with Decking Panel C, followed by Decking Panels A & E.

2.2



Identify which slats need to be removed from the Slimpro Rack.



NOTE: The Slimpro Decking Panel Small is substituted in when the vehicle has a AC Unit installed on the roof closer to the rear of the vehicle.

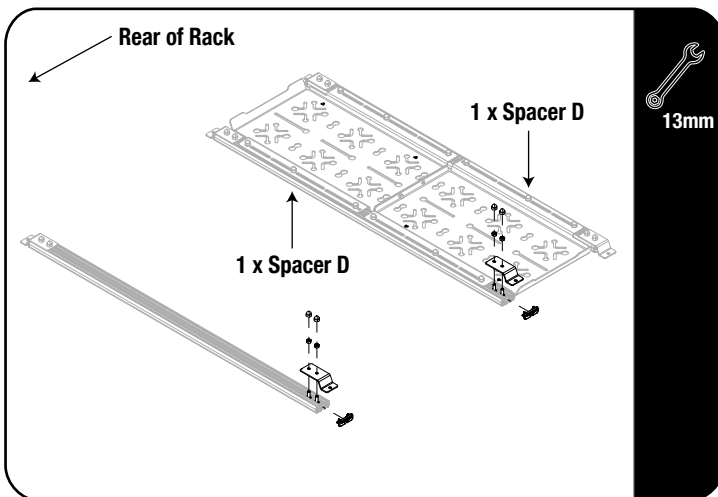
Loosen the Button Head Bolts on the Side Profiles to allow the slats to slide and be positioned where needed.

To fit the Slimpro Decking Panel Small (Item 1) the slats need to be spaced 808mm apart as shown.



To assist with the fitment, remove the slats / decking panels that have been identified.

2.3



The assembly of the decking panels to the slats should be done on a suitable surface off of the vehicle whenever possible.

The sub-assembly can be installed to the rack as one piece.



NOTE: The Z-Brackets can be used in either the high or low orientation.

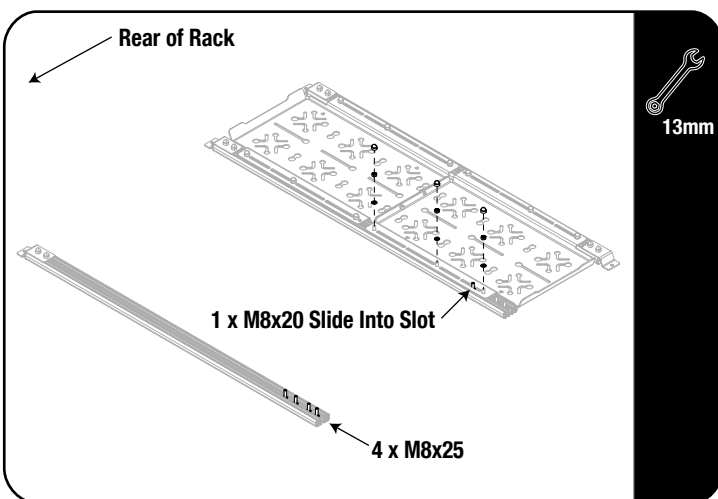


Remove the Z-Bracket from one of the sides of the slats by removing the M8 Nut Caps and loosening the M8 Nyloc Nuts holding the Z-Bracket in place.

Remove the End Caps to open up the T-slots.

Follow the LH / RH Decking Assembly below, depending on your requirements.

2.4



LH Decking Panel Assembly



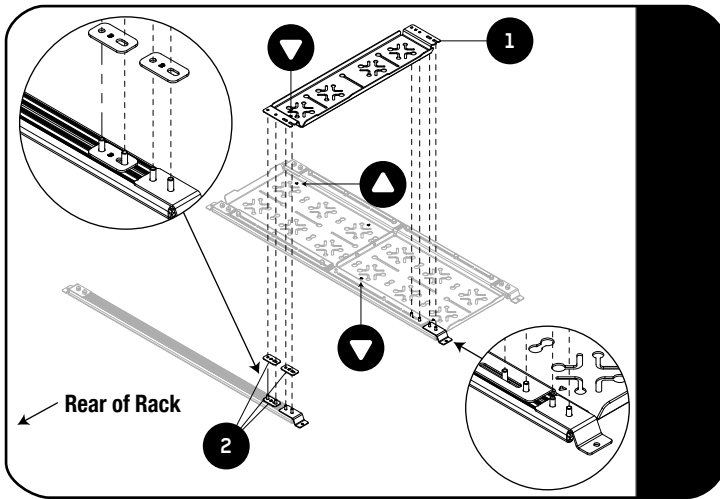
Remove the M8 Nut Caps, M8 Nyloc Nuts and M8x16x1.6 Flat Washers that secure the rear flange of Decking Panel C to the slat.

Remove two M8x20 Hex Bolts from the rear slat's T-slot, and slide one M8x20 Hex Bolt into the middle slat as shown.

Slide one M8x20 Hex Bolt into the first slotted cut out on Decking Panel C.

Slide four M8x25 Hex Bolts (Item 3) into the T-slot of the rear slat as shown.

2.5



LH Decking Panel Assembly



Place the Z-Brackets & End Caps back onto the M8x20 Hex Bolts that was removed in Step 2.3.

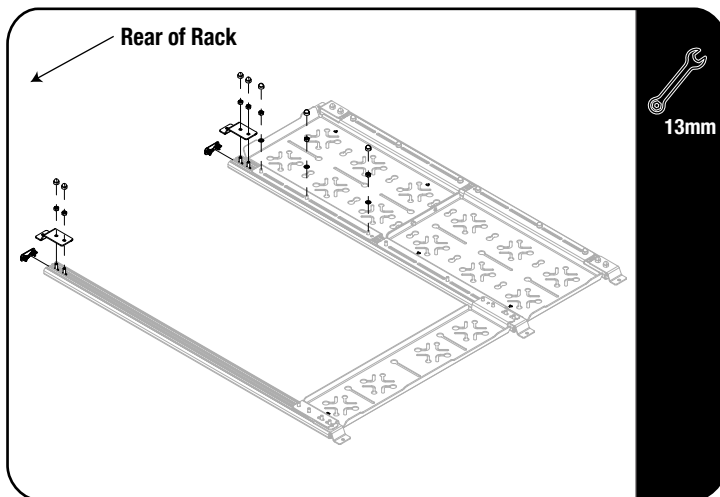
Place three Small Decking Panel Spacers (Item 2) through the Hex Bolts on the rear slat as shown.

Place the Slimpro Decking Panel Small (Item 1) onto the slats by passing the bolts through the round holes as shown. Take note of the direction indicators.



NOTE: The slotted cut out on the Spacers must face the outside of the slats.

2.6

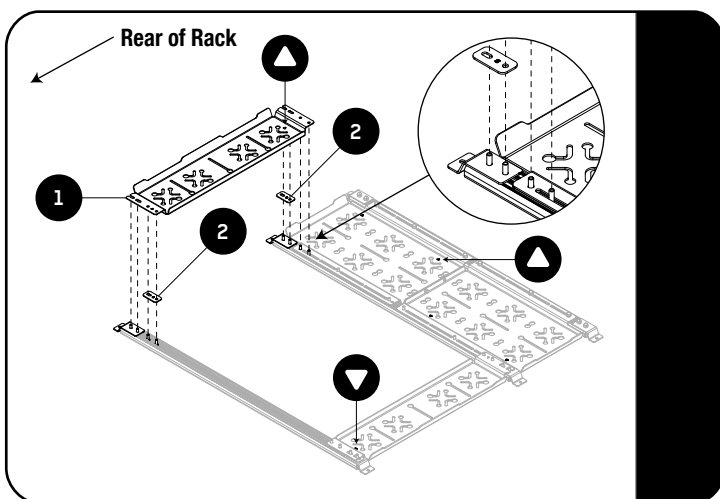


RH Decking Panel Assembly

Remove the Z-Brackets from the opposite side of the slat as shown in Step 2.3.

Remove the M8 Nut Caps, M8 Nyloc Nuts and M8x16x1.6 Flat Washers that secure the rear flange of Decking Panel C to the slat.

2.7



RH Decking Panel Assembly



Remove three M8x20 Hex Bolts from the middle slat. Slide two M8x20 Hex Bolts into the T-slot of the rear Slat as shown. Place the Z-Brackets & End Caps back onto the M8x20 Hex Bolts that was removed in Step 2.6.

Place one Small Decking Panel Spacer (Item 2) through the Hex Bolts on the middle & rear slat as shown. Place the Slimpro Decking Panel Small (Item 1) onto the slats by passing the bolts through the round holes as shown. Take note of the direction indicators.

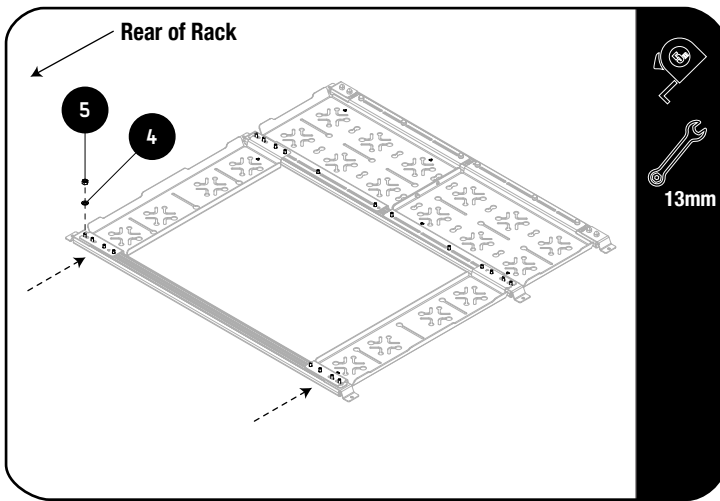


NOTE: The slotted cut out on the Spacers must face the outside of the slats.

2

FIT AND SECURE

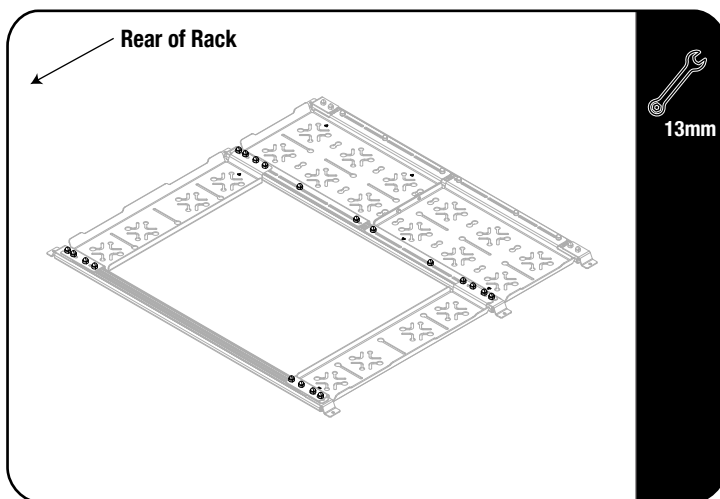
2.8



Loosely assembly the M8x16x1.6 Flat Washers & M8 Nyloc Nuts (Item 4 & 5) back onto the M8 Hex Bolts as shown.

Measure equal distances on both sides of the decking panels and adjust the spacing if needed.

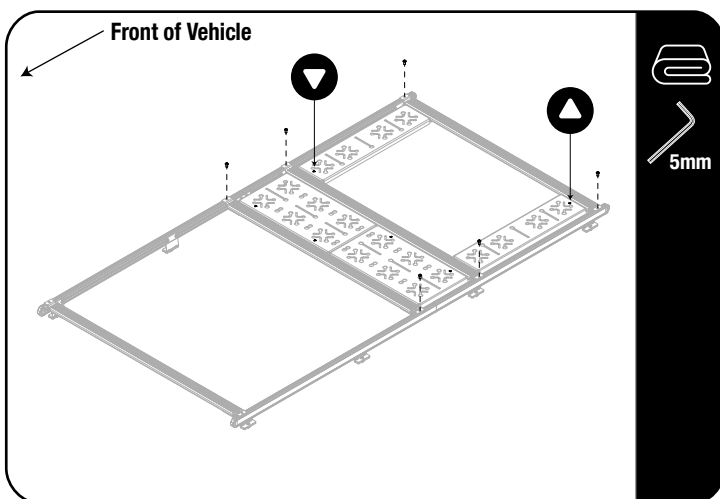
2.9



Fully tighten the M8 Nyloc Nuts (Item 5) from Step 2.8.

Place all M8 Nuts Caps (Item 6) onto the M8 Nyloc Nuts (Item 5).

2.10



Use a blanket to protect the vehicle roof before positioning and re-fitting the sub-assembly to the Slimpro Rack.



NOTE: The direction of the direction indicators to correctly orient the decking panel assembly.



Reassemble the Z-Brackets to the Side Profiles on the Slimpro Rack.

3

FINISH

Congratulations! You did it. Take a step back and admire your work!

4

INSTALL OTHER VEHICLE AND RACK ACCESSORIES

Now's the time to visit your favorite Front Runner Dealer in person or online.

Be sure to tag us. We love to see our gear in action! #FrontRunnerOutfitters

Share your adventures on: 