

# PROXIMITY Metal reader

## System specifications

Cable Length	5m/16ft	
Cable extension length and type	≤ 25m/82ft	Belden 9538/ Belden 5506FE (USA)
	≤ 100m/328ft	Belden 9540/ Belden 5306FE (USA)
Token compatibility	Paxton, EM HID® Prox (Activation Required)	
Handsfree compatible	Yes	
Versions	Satin or bright chrome	

## Electrical

Operating Voltage	10V - 14V DC
Current consumption	110mA

## Environment

Operating temperature	-35°C - +66°C -31°F - +151°F
Moisture resistance	IPX7
Vandal Resistance	High

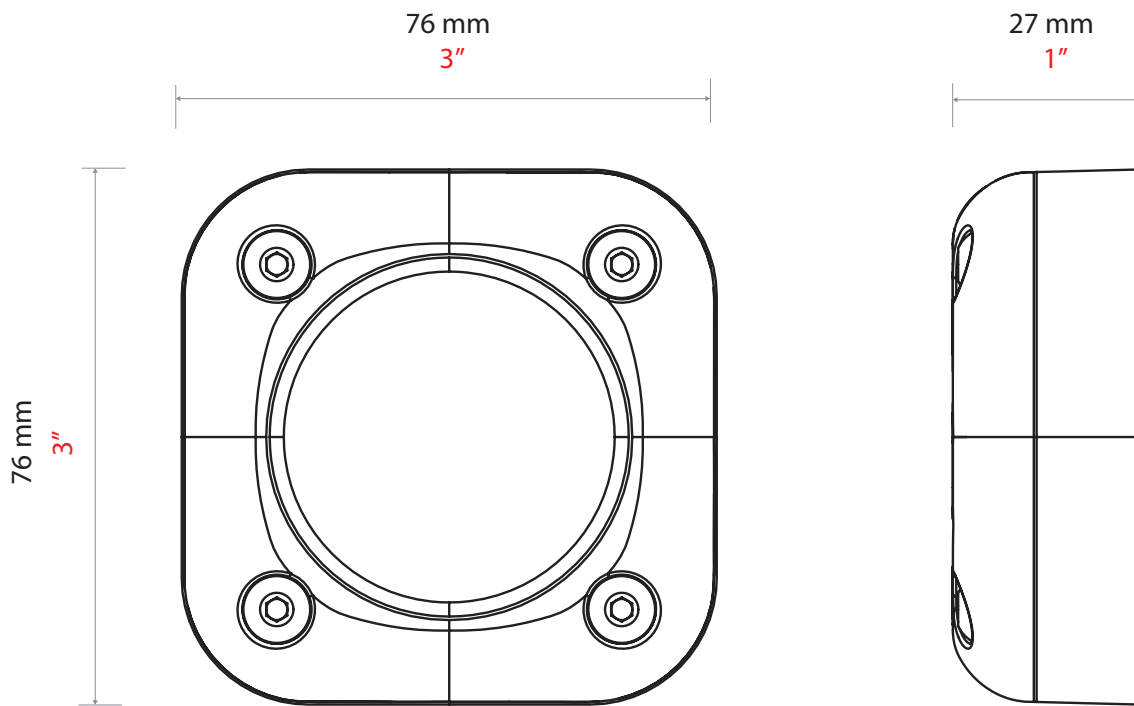


The proximity metal readers are RFID devices that offer the convenience of contactless authentication for system users.

They are available for use with both Switch2 and Net2 systems. The reader is wired as shown on the control unit label.

A token is read by holding it within close proximity of the reader. Once a token has been read the control unit looks up the access permissions of that user. The control unit verifies the information and grants or denies access as appropriate.

By default, all 3 LEDs are lit. If access is granted, the green LED flashes. If access is denied, the red LED flashes. An audible tone is emitted in both cases.



Accessories and sales codes

PROXIMITY metal reader - Satin chrome 390-747

PROXIMITY metal reader - Chrome 390-727