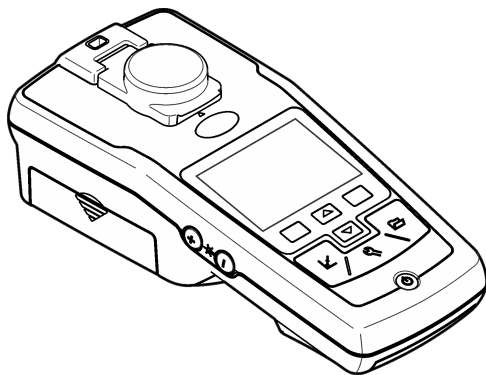




DOC022.98.80041

# 2100Q and 2100Q<sup>is</sup>

08/2021, Edition 6



**Basic User Manual**  
**Basis-Benutzerhandbuch**  
**Manuel d'utilisation simplifié**  
**Manual básico del usuario**  
**Manuale di base per l'utente**  
**Manual básico do utilizador**  
**Základní návod k použití**  
**Grundlæggende brugerhåndbog**  
**Basisgebruikershandleiding**  
**Podstawowy podręcznik użytkownika**  
**Grundläggande bruksanvisning**  
**Peruskäyttöohje**  
**Основно ръководство за потребителя**  
**Alapvető felhasználói útmutató**  
**Manual de utilizare de bază**  
**Базовое руководство пользователя**  
**Temel Kullanım Kılavuzu**  
**Osnovni uporabniški priročnik**  
**Základný návod na použitie**  
**Osnovni korisnički priručnik**  
**Βασικό εγχειρίδιο χρήστη**

## Table of Contents

---

English.....	3
Deutsch.....	18
Français.....	35
Español.....	52
Italiano.....	68
Português.....	84
Čeština.....	100
Dansk.....	116
Nederlands.....	131
Polski.....	147
Svenska.....	164
Suomi.....	180
български.....	195
Magyar.....	213
Română.....	229
Русский.....	245
Türkçe.....	264
Slovenski.....	279
Slovenský jazyk.....	294
Hrvatski.....	310
Ελληνικά.....	325

## Table of Contents

- |   |   |
|---|---|
| 1 <a href="#">Specifications</a> on page 3                | 6 <a href="#">Standard operation</a> on page 10 |
| 2 <a href="#">General information</a> on page 4           | 7 <a href="#">Advanced operation</a> on page 10 |
| 3 <a href="#">Installation</a> on page 7                  | 8 <a href="#">Maintenance</a> on page 12        |
| 4 <a href="#">User interface and navigation</a> on page 8 | 9 <a href="#">Troubleshooting</a> on page 16    |
| 5 <a href="#">Startup</a> on page 9                       |   |

## Section 1 Specifications

Specifications are subject to change without notice.

Specification	Details
Measurement method	Ratio turbidimetric determination using a primary nephelometric light scatter signal (90°) to the transmitted light scatter signal.
Regulatory	<b>2100Q:</b> Meets EPA Method 180.1
Lamp source	<b>2100Q:</b> Tungsten filament lamp <b>2100Qis:</b> Light-emitting diode (LED)
Range	0–1000 NTU (FNU)
Accuracy	±2% of reading plus stray light from 0–1000 NTU (FNU)
Repeatability	±1% of reading or 0.01 NTU (FNU), whichever is greater
Resolution	0.01 NTU on lowest range
Stray light	≤ 0.02 NTU (FNU)
Signal averaging	Selectable on or off
Detector	Silicon Photodiode

Specification	Details
Overvoltage category	II
Altitude	2000 m (6562 ft) maximum
Reading modes	Normal (Push to Read), Signal Averaging or Rapidly Settling Turbidity
Calibration options	Single step RapidCal for Low-Level Regulatory Reporting from 0–40 NTU (FNU) Full range calibration from 0–1000 NTU (FNU) Calibration to degrees of turbidity
Calibration logger	Records the last 25 successful calibrations
Verification logger	Logs the last 250 successful verifications
Data logger	500 records
Power requirement	Battery powered: 6 VDC maximum (4 NiMH 1.2 V AA batteries or 4 alkaline 1.5 V AA batteries) External power supply: 100–240 VAC ± 10%; output 5 W (9 VDC, 600 mA maximum)
Operating conditions	Temperature: 0 to 50 °C (32 to 122 °F) Relative Humidity: 0–90% at 30 °C, 0–80% at 40 °C, 0–70% at 50 °C, noncondensing
Storage conditions	–40 to 60 °C (–40 to 140 °F), instrument only
Interface	Optional USB
Sample required	15 mL (0.5 oz.)

Specification	Details
Sample cells	Round cells 60 x 25 mm (2.36 x 1 in.) borosilicate glass with screw caps
Dimensions	22.9 x 10.7 x 7.7 cm (9.0 x 4.2 x 3.0 in.)
Weight	530 g (1.17 lb) without batteries 620 g (1.37 lb) with four AA alkaline batteries
Meter enclosure rating	IP67 (closed lid, battery and module compartment excluded)
Protection class	2100Q/is: Class III Power supply: Class II
Pollution degree	2
Environmental conditions	Indoor and outdoor use
Certification	CE certified
Warranty	1 year (EU: 2 years)

## Section 2 General information

In no event will the manufacturer be liable for direct, indirect, special, incidental or consequential damages resulting from any defect or omission in this manual. The manufacturer reserves the right to make changes in this manual and the products it describes at any time, without notice or obligation. Revised editions are found on the manufacturer's website.

### 2.1 Safety information

The manufacturer is not responsible for any damages due to misapplication or misuse of this product including, without limitation, direct, incidental and consequential damages, and disclaims such damages to the full extent permitted under applicable law. The user is

solely responsible to identify critical application risks and install appropriate mechanisms to protect processes during a possible equipment malfunction.

Please read this entire manual before unpacking, setting up or operating this equipment. Pay attention to all danger and caution statements. Failure to do so could result in serious injury to the operator or damage to the equipment.

Make sure that the protection provided by this equipment is not impaired. Do not use or install this equipment in any manner other than that specified in this manual.

### 2.2 Use of hazard information

#### **▲ DANGER**

Indicates a potentially or imminently hazardous situation which, if not avoided, will result in death or serious injury.

#### **▲ WARNING**

Indicates a potentially or imminently hazardous situation which, if not avoided, could result in death or serious injury.

#### **▲ CAUTION**




Indicates a potentially hazardous situation that may result in minor or moderate injury.

#### **NOTICE**

Indicates a situation which, if not avoided, may cause damage to the instrument. Information that requires special emphasis.

### 2.3 Precautionary labels

Read all labels and tags attached to the instrument. Personal injury or damage to the instrument could occur if not observed. A symbol on the instrument is referenced in the manual with a precautionary statement.

	This is the safety alert symbol. Obey all safety messages that follow this symbol to avoid potential injury. If on the instrument, refer to the instruction manual for operation or safety information.
	This symbol indicates that a risk of electrical shock and/or electrocution exists.
	Electrical equipment marked with this symbol may not be disposed of in European domestic or public disposal systems. Return old or end-of-life equipment to the manufacturer for disposal at no charge to the user.

## 2.4 Compliance and certification

### ⚠ CAUTION

This equipment is not intended for use in residential environments and may not provide adequate protection to radio reception in such environments.

#### Canadian Radio Interference-Causing Equipment Regulation, ICES-003, Class A:

Supporting test records reside with the manufacturer.

This Class A digital apparatus meets all requirements of the Canadian Interference-Causing Equipment Regulations.

Cet appareil numérique de classe A répond à toutes les exigences de la réglementation canadienne sur les équipements provoquant des interférences.

#### FCC Part 15, Class "A" Limits

Supporting test records reside with the manufacturer. The device complies with Part 15 of the FCC Rules. Operation is subject to the following conditions:

1. The equipment may not cause harmful interference.
2. The equipment must accept any interference received, including interference that may cause undesired operation.

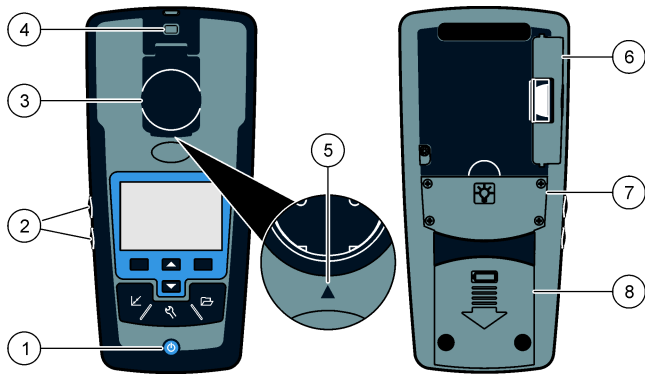
Changes or modifications to this equipment not expressly approved by the party responsible for compliance could void the user's authority to operate the equipment. This equipment has been tested and found to comply with the limits for a Class A digital device, pursuant to Part 15 of the FCC rules. These limits are designed to provide reasonable protection against harmful interference when the equipment is operated in a commercial environment. This equipment generates, uses and can radiate radio frequency energy and, if not installed and used in accordance with the instruction manual, may cause harmful interference to radio communications. Operation of this equipment in a residential area is likely to cause harmful interference, in which case the user will be required to correct the interference at their expense. The following techniques can be used to reduce interference problems:

1. Disconnect the equipment from its power source to verify that it is or is not the source of the interference.
2. If the equipment is connected to the same outlet as the device experiencing interference, connect the equipment to a different outlet.
3. Move the equipment away from the device receiving the interference.
4. Reposition the receiving antenna for the device receiving the interference.
5. Try combinations of the above.

## 2.5 Product overview

The 2100Q and 2100Q/s portable turbidimeters measure turbidity from 0 to 1000 NTU (FNU). Primarily for field use, the portable meter operates on four AA batteries. Data can be stored and transferred to a printer, computer or USB storage device.

**Figure 1 Product overview**

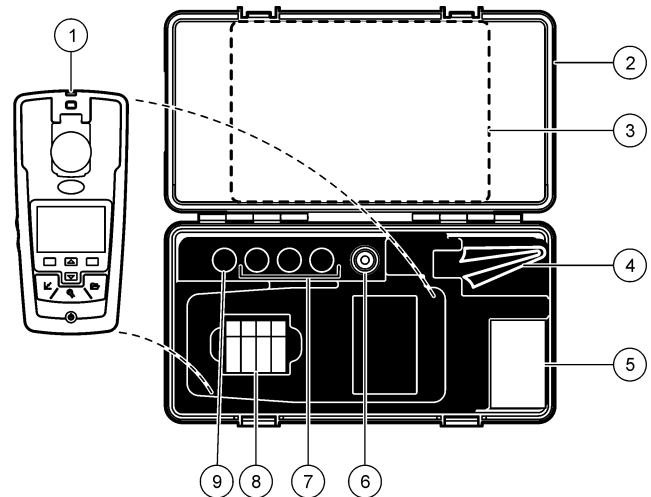


1 Power on or off	5 Alignment arrow
2 Backlight keys (+ and -)	6 Module
3 Sample cell holder with lid	7 Lamp compartment
4 Attachment for lanyard	8 Battery compartment

## 2.6 Product components

Refer to [Figure 2](#) to make sure that all components have been received. If any of these items are missing or damaged, contact the manufacturer or a sales representative immediately.

**Figure 2 2100Q and 2100Q/is components**



1 2100Q or 2100Q/is turbidimeter	6 Silicone oil
2 Carrying case	7 20, 100 and 800 NTU StablCal calibration standards
3 User manual and Quick reference guide	8 AA alkaline batteries (pk/4)
4 Oiling cloth	9 StablCal 10 NTU verification standard
5 1" sample cell (10 mL) with cap (pk/6)	

## Section 3 Installation

### ⚠ CAUTION



Multiple hazards. Only qualified personnel must conduct the tasks described in this section of the document.

### 3.1 Install the battery

### ⚠ WARNING



Explosion hazard. An expired battery can cause hydrogen gas buildup inside the instrument. Replace the battery before it expires. Do not store the instrument for long periods with a battery installed.

### ⚠ WARNING

Potential fire hazard. Use only alkaline or nickel metal hydride batteries (NiMH) in the meter. Other battery types or incorrect installation can cause a fire. Never mix battery types in the meter.

### NOTICE

The battery compartment is not waterproof. If the battery compartment becomes wet, remove and dry the batteries and dry the interior of the compartment. Check the battery contacts for corrosion and clean them if necessary.

### NOTICE

When using nickel metal hydride (NiMH) batteries, the battery icon will not indicate a full charge after freshly charged batteries have been inserted (NiMH batteries are 1.2 V versus 1.5 V for alkaline batteries). Even though the icon does not indicate complete charge, 2300 mAh NiMH batteries will achieve 90% of instrument operation lifetime (before recharge) versus new alkaline batteries.

### NOTICE

To avoid potential damage to the meter from battery leakage, remove the meter batteries prior to extended periods of non-use.

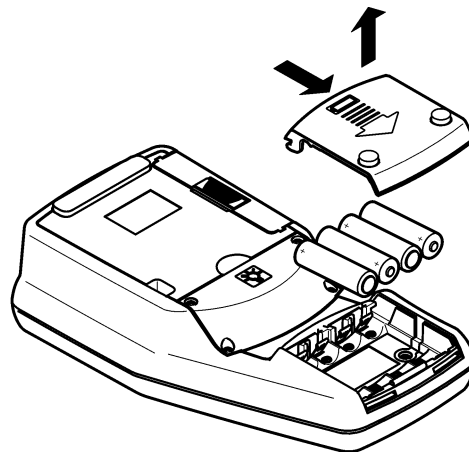
The meter can be powered with AA alkaline or rechargeable NiMH batteries. To conserve battery life, the meter will power off after 10 minutes of inactivity, the backlight powers off after 30 seconds. This time can be changed in the Power Management menu.

**Note:** Rechargeable batteries will only be recharged with the USB/power module. Refer to the module documentation for further information.

For battery installation refer to [Figure 3](#).

1. Remove the battery cover.
2. Install 4 AA alkaline or 4 AA nickel metal hydride (NiMH) batteries. Make sure that the batteries are installed in the correct orientation.
3. Replace the battery cover.

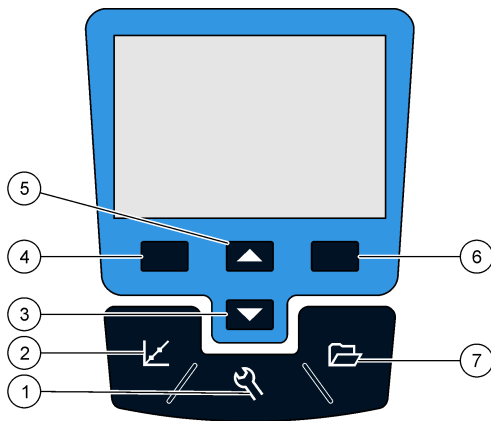
**Figure 3** Battery installation



## Section 4 User interface and navigation

### 4.1 User interface

Figure 4 Keypad description



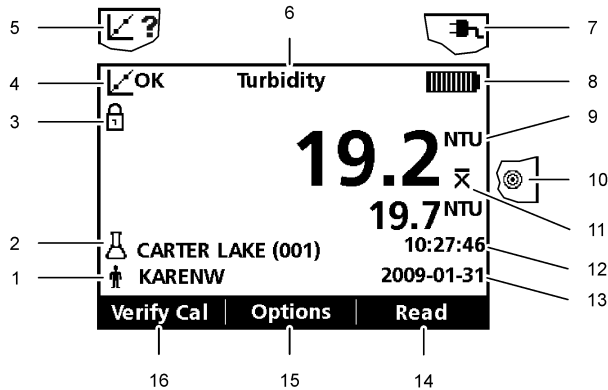
### 4.2 Display description

The measurement screen shows the turbidity, unit, calibration status, date and time, operator ID (if setup) and sample ID (if setup). Refer to [Figure 5](#).

<b>1 SETTINGS</b> key: select menu options for setting up the meter	<b>5 UP</b> key: scroll through menus, enter numbers and letters
<b>2 CALIBRATION</b> key: shows calibration screen, start calibration, select cal options	<b>6 RIGHT</b> key (contextual): read turbidity sample, selects or confirms options, opens/jumps to sub-menus
<b>3 DOWN</b> key: scroll through menus, enter numbers and letters	<b>7 DATA MANAGEMENT</b> key: view, delete or transfer stored data
<b>4 LEFT</b> key (contextual): access for calibration verification, cancels or exits the current menu screen to the previous menu screen	



Figure 5 Single screen display



1 Operator identification	9 NTU (Nephelometric Turbidity Unit) or FNU (Formazin Turbidity Unit)
2 Sample identification	10 Reading mode: Rapidly Settling Turbidity (Target icon)
3 Stability or display lock indicator	11 Reading mode: Signal Average (X-bar icon)
4 Calibration status indicator (Calibration OK=pass)	12 Time
5 Calibration status indicator (Calibration ?=fail)	13 Date
6 Parameter title	14 Read (contextual: OK, Select)
7 AC power icon	15 Options (contextual)
8 Battery icon	16 Verification calibration

### 4.3 Navigation


The meter contains a Settings menu, Reading Options menu, Calibration Options menu and Calibration Verification Options menu to change various options. Use the **UP** and **DOWN** keys to highlight different options. Push the **RIGHT** key to select an option. There are two ways to change options:

1. Select an option from a list: Use the **UP** and **DOWN** keys to select an option. If check boxes are shown, more than one option can be selected. Push the **LEFT** key under Select.
 

*Note: To deselect check boxes, push the LEFT key under Deselect.*
2. Enter an option value using the arrow keys: Push the **UP** and **DOWN** keys to enter or change a value.
3. Push the **RIGHT** key to advance to the next space.
4. Push the **RIGHT** key under **OK** to accept the value.

## Section 5 Startup

### 5.1 Turn the meter on and off

 Push the **ON/OFF** key to turn on or turn off the meter. If the meter does not turn on, make sure that the batteries, or the module, are properly installed or that the AC power supply is properly connected to an electrical outlet.

*Note: The Auto-Shutoff option can also be used to turn off the meter. Additional information is available on the manufacturer's website.*

### 5.2 Change the language

There are three options to set the language:

- The display language is selected when the meter is powered on for the first time.
- The display language is selected when the power key is pushed and held.
- The language can be changed from the Settings menu.

1. Select a language from the list. Confirm with **OK**.
2. Push **Done** when the update is complete.

### 5.3 Change the date and time

The date and time can be changed from the Date & Time menu.

1. Push the **SETTINGS** key and select Date & Time.
2. Update the time and date information:

Option	Description
<b>Format</b>	Select one of the formats for the date and time: yyyy-mm-dd 24h yyyy-mm-dd 12h dd-mm-yyyy 24h dd-mm-yyyy 12h mm/dd/yyyy 24h mm/dd/yyyy 12h
<b>Date</b>	Enter the current date
<b>Time</b>	Enter the current time

The current date and time will be shown on the display.

After the date and time setup, the meter is ready to take a reading.

## Section 6 Standard operation

### 6.1 Use a sample ID

The sample ID tag is used to associate readings with a particular sample location. If assigned, stored data will include this ID.

1. Select **Sample ID** in the Settings menu.

2. Select, create or delete a sample ID:

Option	Description
<b>Current ID</b>	Select an ID from a list. The current ID will be associated with sample data until a different ID is selected.
<b>Create a New Sample ID</b>	Enter a name for a new sample ID.
<b>Delete Sample ID</b>	Delete an existing sample ID.

### 6.2 Use an operator ID

The operator ID tag associates readings with an individual operator. All stored data will include this ID.

1. Select **Operator ID** in the Settings menu.
2. Select, create or delete an operator ID:

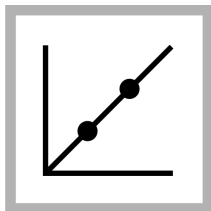
Option	Description
<b>Current ID</b>	Select an ID from a list. The current ID will be associated with sample data until a different ID is selected.
<b>Create a New Operator ID</b>	Enter a name for a new operator ID (maximum 10 names can be entered).
<b>Delete Operator ID</b>	Delete an existing operator ID.

## Section 7 Advanced operation

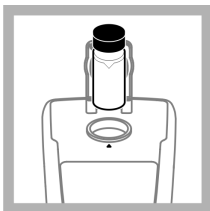
### 7.1 Calibrate the turbidimeter with StablCal Standards

**Note:** For best accuracy use the same sample cell or four matched sample cells for all readings during calibration. Insert the sample cell in the instrument cell

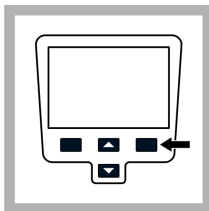
compartment so the diamond or orientation mark aligns with the raised orientation mark in front of the cell compartment.



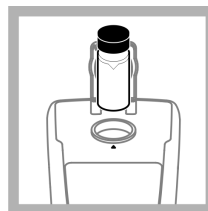
1. Push the **CALIBRATION** key to enter the Calibration mode. Follow the instructions on the display.  
**Note:** Gently invert each standard before inserting the standard.



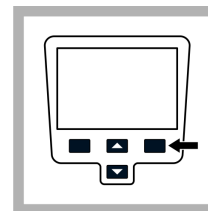
2. Insert the 20 NTU StablCal Standard and close the lid.  
**Note:** The standard to be inserted is bordered.



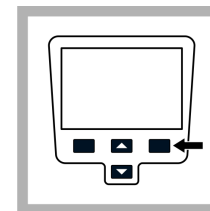
3. Push **Read**. The display shows Stabilizing and then shows the result.



4. Repeat Step 2 and 3 with the 100 NTU and 800 NTU StablCal Standard.  
**Note:** Push **Done** to complete a 2 point calibration.



5. Push **Done** to review the calibration details.




6. Push **Store** to save the results. After a calibration is complete, the meter automatically goes into the Verify Cal mode. Additional information is available on the manufacturer's website.

## 7.2 Reading modes

1. Push the **UP** or **DOWN** key to enter the Reading Options menu.
2. Select Reading Mode to select one of the following options:

Option	Description
<b>Normal (Default setting)</b>	The normal mode reads and averages three readings. The result is shown after the reading.

Option	Description
--------	-------------

**Signal Average**  


The Signal Average mode compensates for reading fluctuations caused by drifting of sample particles through the light path.

The X-bar icon is shown on the display when signal averaging is on.

The Signal Average mode measures 12 times and starts to show the average after three readings. The final result is the average of all 12 readings.

**Rapidly Settling Turbidity (RST)**  


The Rapidly Settling Turbidity (RST) mode calculates and continuously updates the turbidity reading of the sample to a confidence of 95%, based on the accumulated trend of the real time measured values.

The RST mode is best used on samples that settle rapidly and continuously change in value. The reading is based on a correctly prepared sample that is homogeneous at the beginning of the reading. It is best applied to samples that are greater than 20 NTU. The sample must be mixed thoroughly by inversion immediately before inserting it into the meter.

The target icon is shown on the display when the Rapidly Settling Turbidity is on.

The Rapidly Settling Turbidity reads and calculates five readings while showing intermediate results.

## 8.1 Clean the meter

The meter is designed to be maintenance-free and does not require regular cleaning for normal operation. Exterior surfaces of the meter may be cleaned as necessary.

**Note:** Do not clean the meter with solvents to avoid damaging the material.


1. Clean the meter with a dust- and lint-free dry or slightly damp cloth. A mild soap solution can also be used for liposoluble contamination.

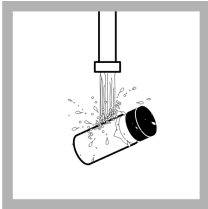
## 8.2 Apply silicone oil to a sample cell

Sample cells and caps must be extremely clean and free from significant scratches. Apply a thin coating of silicone oil on the outside of the sample cells to mask minor imperfections and scratches that may contribute to light scattering.

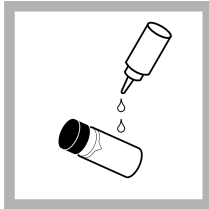
**Note:** Use only the provided silicone oil. This silicone oil has the same refractive index as the sample cell glass.

## Section 8 Maintenance

<b>▲ CAUTION</b>	
	Multiple hazards. Only qualified personnel must conduct the tasks described in this section of the document.



1. Clean the inside and outside of the cells and caps by washing with a laboratory glass cleaning detergent. Follow with multiple rinses with distilled or demineralized water.



2. Apply a small bead of silicone oil from the top to the bottom of the cell.



3. Use the provided oiling cloth to spread the oil uniformly. Wipe off the excess so that only a thin coat of oil is left. Make sure that the sample cell is almost dry with little or no visible oil.

**Note:** Store the oiling cloth in a plastic storage bag to keep the cloth clean.

### 8.3 Store the sample cells

#### NOTICE

Do not air dry the sample cells.

**Note:** Always store the sample cells with caps on to prevent the cells from drying.

1. Fill the sample cells with distilled or demineralized water.

2. Cap and store the sample cells.
3. Wipe the outside of the sample cells dry with a soft cloth.

### 8.4 Replace the battery

#### ▲ WARNING



Explosion hazard. An expired battery can cause hydrogen gas buildup inside the instrument. Replace the battery before it expires. Do not store the instrument for long periods with a battery installed.

#### ▲ WARNING

Potential fire hazard. Use only alkaline or nickel metal hydride batteries (NiMH) in the meter. Other battery types or incorrect installation can cause a fire. Never mix battery types in the meter.

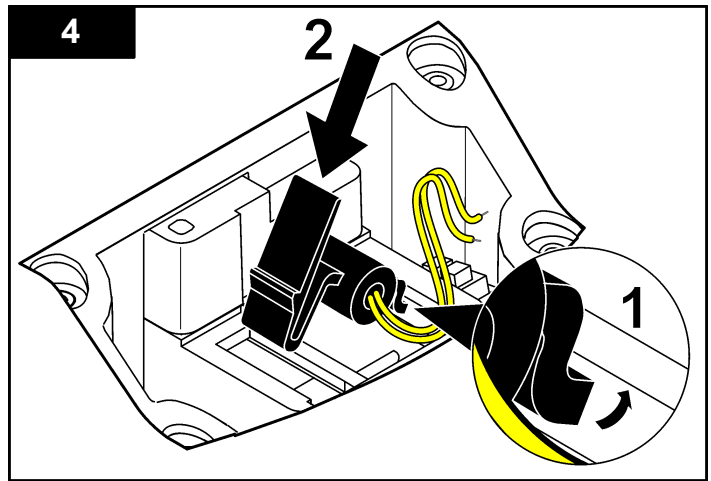
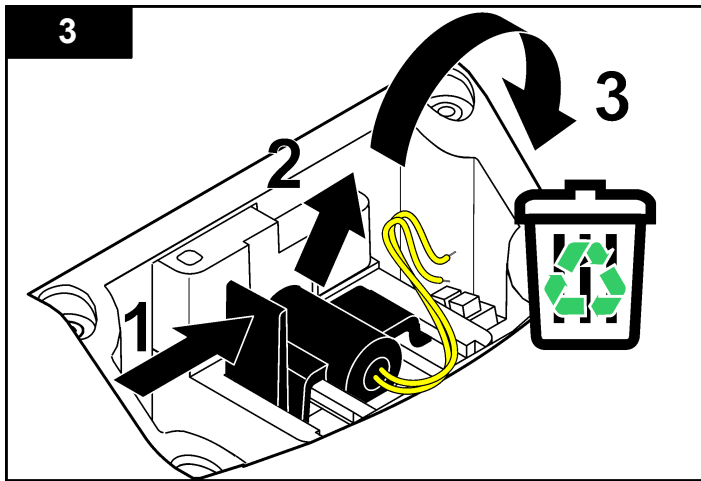
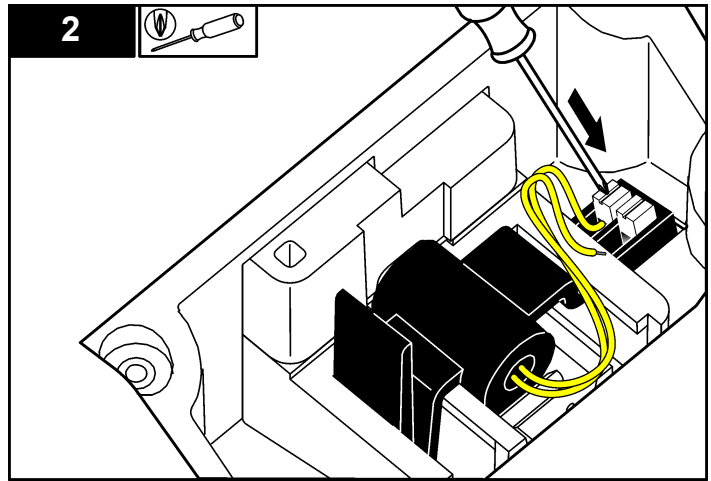
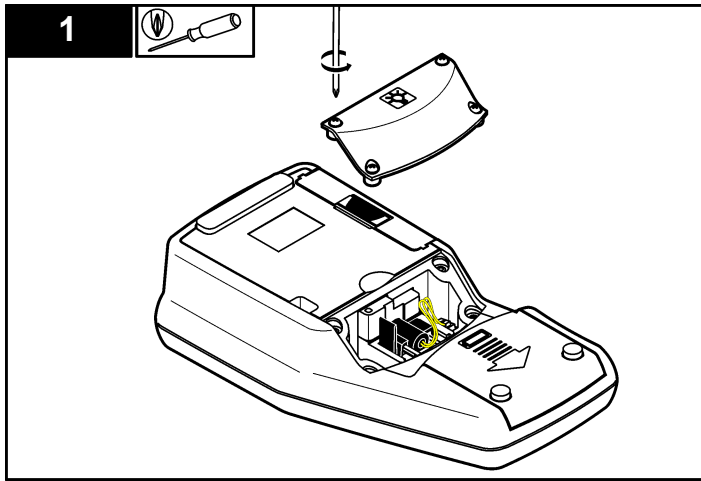
For battery replacement refer to [Install the battery](#) on page 7.

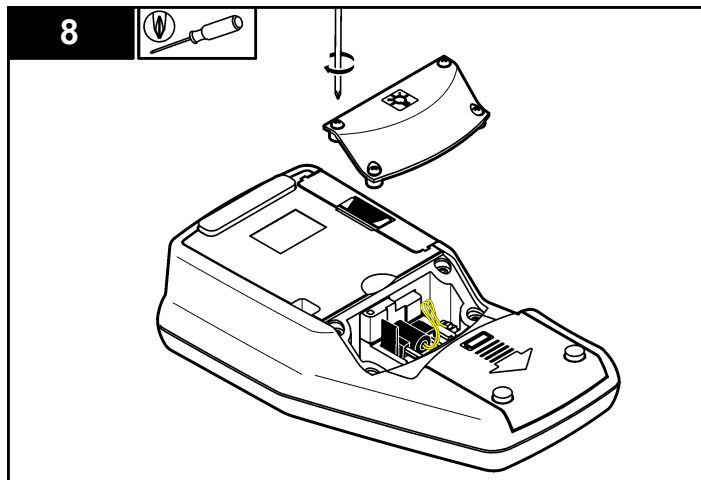
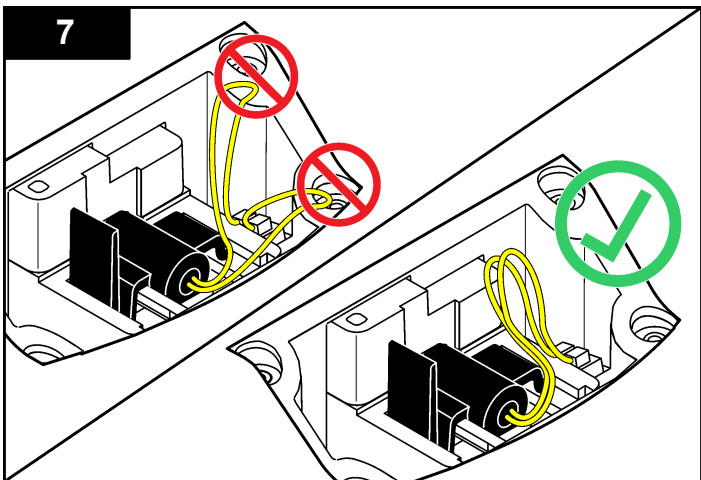
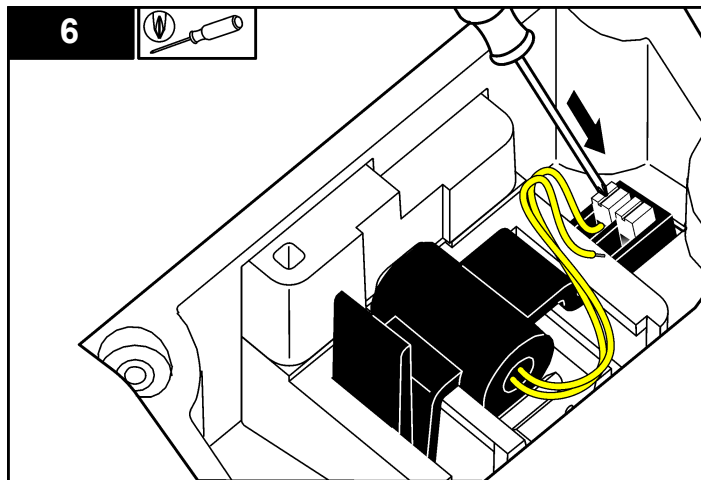
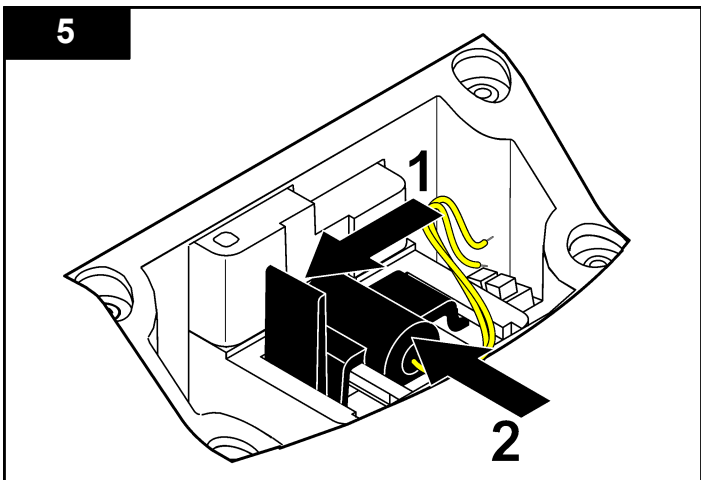
1. Remove the battery cover.
2. Remove the batteries.
3. Install 4 AA alkaline or 4 AA nickel metal hydride (NiMH) batteries. Make sure that the batteries are installed in the correct orientation.
4. Replace the battery cover.

### 8.5 Replace the lamp

#### ▲ CAUTION

Burn Hazard. Wait until lamp cools down. Contact with the hot lamp can cause burns.





## Section 9 Troubleshooting

Refer to the following table for common problem messages or symptoms, possible causes and corrective actions.

Error/Warning	Description	Solution
<b>Close lid and push Read.</b>	The lid is open or lid detection failed.	Make sure that the lid is closed during reading and re-read.
<b>Low Battery!</b>	Battery is low.	<ul style="list-style-type: none"> <li>• Insert new batteries</li> <li>• Connect USB/power module if rechargeable batteries are used</li> </ul>
<b>ADC Failure!</b>	Hardware error causing reading to fail.	Repeat the reading.
<b>Detector signal too low!</b>	Insufficient light on the 180° detector.	<ul style="list-style-type: none"> <li>• Check for obstructed light path.</li> <li>• Check the lamp.</li> </ul>
<b>Overrange!</b>	Turbidity too high-caused probably by calibrating with RapidCal only.	<ul style="list-style-type: none"> <li>• Calibrate the upper range.</li> <li>• Dilute the sample.</li> </ul>
<b>Underrange!</b>	The measured absorbance is below the calibration range.	Repeat calibration

Error/Warning	Description	Solution
<b>Please check the lamp!</b>	Signals are too low on the 90° and 180° detector.	<p><b>2100Q:</b> The lamp is defective. Change the lamp (refer to <a href="#">Replace the lamp</a> on page 13).</p> <p><b>2100Qis:</b> Contact technical support.</p>
<b>Temperature too high! Switch off instrument.</b>	Temperature has exceeded the meter limits (>60 °C or >140 °F).	Turn off the meter and let it cool down.
<b>RST: Average value!</b>	Solids are settling too slowly. The reading mode is not suitable for this sample.	Select Normal or Signal Average reading mode.
<b>Confidence level is &lt; 95%</b>	The reading mode Rapidly Settling Turbidity did not meet the range of ≥ 95% confidence.	<ul style="list-style-type: none"> <li>• Invert the sample several times so that the solids allocate. Repeat the reading again.</li> <li>• Switch to the Normal reading mode if the sample is stable and does not have settable solids.</li> </ul>
<b>Standard value out of range. Insert standard and push Read</b>	Used incorrect standard value for the reading.	Insert the appropriate standard and read again.
<b>ID already in use. Enter new ID</b>	The Operator or Sample ID is unavailable as it is already assigned.	Create a new ID.



<b>Error/Warning</b>	<b>Description</b>	<b>Solution</b>
<b>Error - Security Please set password before activating security</b>	No password is created.	Create a new password.
<b>Please enter at least one character.</b>	Password must contain minimum of one character.	Create a password of at least one character.
<b>Password incorrect. Please retry.</b>	Incorrect password was entered.	Enter the appropriate password.
<b>Please disconnect the USB cable from your computer.</b>	Data storage does not respond while connected to the meter and the computer.	Disconnect the USB cable from the meter and try sending data again.
<b>USB module memory full. Delete data and try again.</b>	Data storage is full.	<ol style="list-style-type: none"> <li>1. Connect USB/power module to the computer.</li> <li>2. Download the stored data to the computer.</li> <li>3. Delete Data Log on the module.</li> </ol>

<b>Error/Warning</b>	<b>Description</b>	<b>Solution</b>
<b>Delete Last Reading Failed!</b>	Error in the data storage.	Turn the meter off and on. If the error message still occurs, contact technical support.
<b>Delete Data Log failed!</b>		
<b>Can't read data set!</b>		
<b>Can't store data!</b>		
<b>Can't store to the Reading Log!</b>		
<b>Can't store to the Verify Cal Log!</b>		
<b>Error storing data!</b>		
<b>Error reading data!</b>		

## Inhaltsverzeichnis

- |  |  |
|--|--|
| 1 Technische Daten auf Seite 18                  | 6 Standardbetrieb auf Seite 26           |
| 2 Allgemeine Informationen auf Seite 19          | 7 Fortgeschrittener Betrieb auf Seite 26 |
| 3 Installation auf Seite 22                      | 8 Wartung auf Seite 28                   |
| 4 Benutzeroberfläche und Navigation auf Seite 23 | 9 Fehlerbehebung auf Seite 32            |
| 5 Inbetriebnahme auf Seite 25                    |  |

## Kapitel 1 Technische Daten

Änderungen vorbehalten.

Technische Daten	Details
Messverfahren	Turbidimetrische Verhältnismessung zwischen einem primären nephelometrischen Streulicht (90°) und einem Transmissionssignal.
Normen	<b>2100Q:</b> Erfüllt die EPA-Methode 180.1
Lichtquelle	<b>2100Q:</b> Wolfram-Glühfadenlampe <b>2100QiS:</b> Leuchtdiode (LED)
Messbereich	0– 1000 NTU (FNU)
Präzision	±2% des Messwerts plus Streulicht von 0– 1000 NTU (FNU)
Wiederholgenauigkeit	±1% des Messwerts, mindestens jedoch 0.01 NTU (FNU)
Auflösung	0,01 NTU im kleinsten Bereich
Streulicht	≤ 0,02 NTU (FNU)
Signalmittelung	Wahlweise, ein oder aus
Detektor	Silizium-Photodiode

Technische Daten	Details
Überspannungskategorie	II
Höhe	Maximal 2000 m (6562 ft)
Messmodi	Normal (Messung auf Tastendruck), Mittelwertbildung oder Rapidly Settling Turbidity
Kalibrieroptionen	Einschritt-Kalibrierung RapidCal den Bereich von 0–40 NTU (FNU) Kalibrierung über den gesamten Bereich von 0–1000 NTU (FNU) Kalibrierung einer Trübungsgrade
Kalibrierungslogger	Zeichnet die letzten 25 erfolgreichen Kalibrierungen auf
Prüfungslogger	Zeichnet die letzten 250 erfolgreichen Prüfungen auf
Datenlogger	500 Datensätze
Spannungsversorgung	Batteriebetrieben: maximal 6 VDC (4 NiMH 1,2 V AA-Batterien oder 4 Alkaline 1,5 V AA-Batterien) Externes Netzteil: 100–240 VAC ± 10%; Ausgang 5 W (9 VDC, 600 mA maximal)
Betriebsbedingungen	Temperatur: 0 bis 50 °C (32 bis 122 °F) Relative Feuchte: 0– 90% bei 30 °C, 0– 80% bei 40 °C, 0– 70% bei 50 °C, nicht-kondensierend
Lagerbedingungen	– 40 bis 60 °C (– 40 bis 140 °F), nur Gerät
Schnittstelle	USB als Option
Probemenge	15 ml (0.5 oz.)
Küvetten	Rundküvetten 60 x 25 mm (2.36 x 1 Zoll) Borosilikatglas mit Schraubkappe

Technische Daten	Details
Abmessungen	22.9 x 10.7 x 7.7 cm (9.0 x 4.2 x 3.0 Zoll)
Gewicht	530 g (1.17 lb) ohne Batterien 620 g (1,37 lb) mit vier Alkali-Batterien Größe AA
Gehäuseschutzart	IP67 (bei geschlossenem Deckel, außer Batterie- und Modulfach)
Schutzklasse	2100Q/is: Klasse III Netzteil: Class II
Verschmutzungsgrad	2
Umgebungsbedingungen	Verwendung im Innen- und Außenbereich
Zertifizierung	CE-zertifiziert
Garantie	1 Jahr (EU: 2 Jahre)

## Kapitel 2 Allgemeine Informationen

Der Hersteller ist nicht verantwortlich für direkte, indirekte, versehentliche oder Folgeschäden, die aus Fehlern oder Unterlassungen in diesem Handbuch entstanden. Der Hersteller behält sich jederzeit und ohne vorherige Ankündigung oder Verpflichtung das Recht auf Verbesserungen an diesem Handbuch und den hierin beschriebenen Produkten vor. Überarbeitete Ausgaben der Bedienungsanleitung sind auf der Hersteller-Webseite erhältlich.

### 2.1 Sicherheitshinweise

Der Hersteller ist nicht für Schäden verantwortlich, die durch Fehlanwendung oder Missbrauch dieses Produkts entstehen, einschließlich, aber ohne Beschränkung auf direkte, zufällige oder Folgeschäden, und lehnt jegliche Haftung im gesetzlich zulässigen Umfang ab. Der Benutzer ist selbst dafür verantwortlich,

schwerwiegende Anwendungsrisiken zu erkennen und erforderliche Maßnahmen durchzuführen, um die Prozesse im Fall von möglichen Gerätefehlern zu schützen.

Bitte lesen Sie dieses Handbuch komplett durch, bevor Sie dieses Gerät auspacken, aufstellen oder bedienen. Beachten Sie alle Gefahren- und Warnhinweise. Nichtbeachtung kann zu schweren Verletzungen des Bedienpersonals oder Schäden am Gerät führen.

Stellen Sie sicher, dass die durch dieses Messgerät gebotene Sicherheit nicht beeinträchtigt wird. Verwenden bzw. installieren Sie das Messgerät nur wie in diesem Handbuch beschrieben.

### 2.2 Bedeutung von Gefahrenhinweisen

#### **▲ GEFAHR**

Kennzeichnet eine mögliche oder drohende Gefahrensituation, die, wenn sie nicht vermieden wird, zum Tod oder zu schweren Verletzungen führt.

#### **▲ WARNUNG**

Kennzeichnet eine mögliche oder drohende Gefahrensituation, die, wenn sie nicht vermieden wird, zum Tod oder zu schweren Verletzungen führen kann.

#### **▲ VORSICHT**




Kennzeichnet eine mögliche Gefahrensituation, die zu leichteren Verletzungen führen kann.

#### **ACHTUNG**

Kennzeichnet eine Situation, die, wenn sie nicht vermieden wird, das Gerät beschädigen kann. Informationen, die besonders beachtet werden müssen.

### 2.3 Warnhinweise

Lesen Sie alle am Gerät angebrachten Aufkleber und Hinweise. Nichtbeachtung kann Verletzungen oder Beschädigungen des Geräts zur Folge haben. Im Handbuch wird in Form von Warnhinweisen auf die am Gerät angebrachten Symbole verwiesen.

	Dies ist das Sicherheits-Warnsymbol. Befolgen Sie alle Sicherheitshinweise im Zusammenhang mit diesem Symbol, um Verletzungen zu vermeiden. Wenn es am Gerät angebracht ist, beachten Sie die Betriebs- oder Sicherheitsinformationen im Handbuch.
	Dieses Symbol weist auf die Gefahr eines elektrischen Schlages hin, der tödlich sein kann.
	Elektrogeräte, die mit diesem Symbol gekennzeichnet sind, dürfen nicht im normalen öffentlichen Abfallsystem entsorgt werden. Senden Sie Altgeräte an den Hersteller zurück. Dieser entsorgt die Geräte ohne Kosten für den Benutzer.

## 2.4 Konformität und Zertifizierung

### ⚠ VORSICHT

Dieses Gerät ist nicht für den Einsatz in Wohnumgebungen bestimmt und kann in solchen Umgebungen keinen angemessenen Schutz vor Funkwellen bieten.

#### Kanadische Vorschriften zu Störungen verursachenden Einrichtungen, ICES-003, Klasse A:

Entsprechende Prüfnachweise hält der Hersteller bereit.

Dieses digitale Gerät der Klasse A erfüllt alle Vorgaben der kanadischen Normen für Interferenz verursachende Geräte.

Cet appareil numérique de classe A répond à toutes les exigences de la réglementation canadienne sur les équipements provoquant des interférences.

#### FCC Teil 15, Beschränkungen der Klasse "A"

Entsprechende Prüfnachweise hält der Hersteller bereit. Das Gerät entspricht Teil 15 der FCC-Vorschriften. Der Betrieb unterliegt den folgenden Bedingungen:

1. Das Gerät darf keine Störungen verursachen.

2. Das Gerät muss jegliche Störung, die es erhält, einschließlich jener Störungen, die zu unerwünschtem Betrieb führen, annehmen.

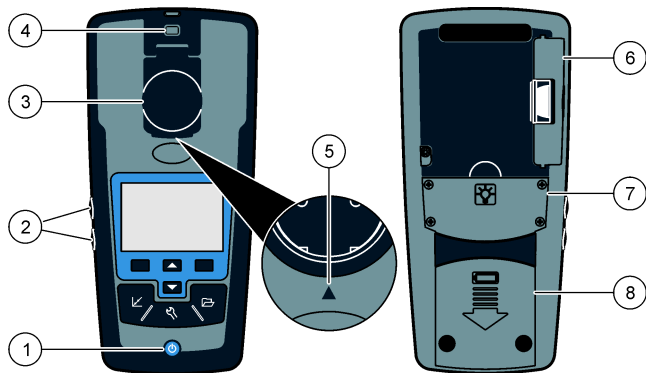
Änderungen oder Modifizierungen an diesem Gerät, die nicht ausdrücklich durch die für die Einhaltung der Standards verantwortliche Stelle bestätigt wurden, können zur Aufhebung der Nutzungsberechtigung für dieses Gerät führen. Dieses Gerät wurde geprüft, und es wurde festgestellt, dass es die Grenzwerte für digitale Geräte der Klasse A entsprechend Teil 15 der FCC-Vorschriften einhält. Diese Grenzwerte sollen einen angemessenen Schutz gegen gesundheitsschädliche Störungen gewährleisten, wenn dieses Gerät in einer gewerblichen Umgebung betrieben wird. Dieses Gerät erzeugt und nutzt hochfrequente Energie und kann diese auch abstrahlen, und es kann, wenn es nicht in Übereinstimmung mit der Bedienungsanleitung installiert und eingesetzt wird, schädliche Störungen der Funkkommunikation verursachen. Der Betrieb dieses Geräts in Wohngebieten kann schädliche Störungen verursachen. In diesem Fall muss der Benutzer die Störungen auf eigene Kosten beseitigen. Probleme mit Interferenzen lassen sich durch folgende Methoden mindern:

1. Trennen Sie das Gerät von der Stromversorgung, um sicherzugehen, dass dieser die Störungen nicht selbst verursacht.
2. Wenn das Gerät an die gleiche Steckdose angeschlossen ist wie das gestörte Gerät, schließen Sie das störende Gerät an eine andere Steckdose an.
3. Vergrößern Sie den Abstand zwischen diesem Gerät und dem gestörten Gerät.
4. Ändern Sie die Position der Empfangsantenne des gestörten Geräts.
5. Versuchen Sie auch, die beschriebenen Maßnahmen miteinander zu kombinieren.

## 2.5 Produktübersicht

Die tragbaren Trübungsmessgeräte 2100Q und 2100Q/s messen die Trübung in einem Bereich von 0 bis 1000 NTU (FNU). Das portable Messgerät ist primär für den Einsatz im Feld ausgelegt und werden mit vier Batterien der Größe AA versorgt. Daten können gespeichert und an einen Drucker, einen Computer oder ein USB-Gerät übertragen werden.

Abbildung 1 Produktübersicht

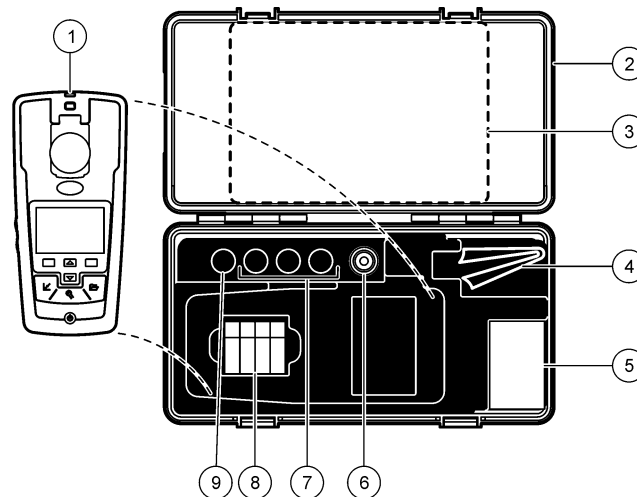


1 Ein- oder Ausschalten	5 Ausrichtungspfeil
2 Beleuchtungstaste: (+ und -)	6 Modul
3 Küvettenhalter mit Deckel	7 Lampenschacht
4 Befestigung für Band	8 Akkufach/Batteriefach

## 2.6 Produktkomponenten

Vergewissern Sie sich anhand von [Abbildung 2](#), dass alle Teile geliefert wurden. Sollte eines der aufgelisteten Teile fehlen oder defekt sein, wenden Sie sich bitte sofort an den Hersteller oder die zuständige Vertretung.

Abbildung 2 2100Q und 2100Qis-Komponenten



1 2100Q oder 2100Q/S Trübungsmessgerät	6 Silikonöl
2 Transporttasche	7 20, 100 und 800 NTU StabCal®-Kalibrierungsstandards
3 Bedienungsanleitung und Kurzanleitung	8 Alkali-Batterien der Größe AA (4 je Packung)
4 Öltuch	9 StabCal 10 NTU-Prüfstandard
5 1" Küvette (10 mL) mit Kappe (6 je Packung)	

## Kapitel 3 Installation

### ⚠ VORSICHT



Mehrere Gefahren. Nur qualifiziertes Personal sollte die in diesem Kapitel des Dokuments beschriebenen Aufgaben durchführen.

### 3.1 Einlegen der Batterien

### ⚠ WARNUNG



Explosionsgefahr. Leere Batterien können eine Ansammlung von Wasserstoffgas im Gerät verursachen. Wechseln Sie die Batterie, bevor diese leer wird. Entfernen Sie die Batterie, wenn Sie das Gerät längere Zeit nicht verwenden.

### ⚠ WARNUNG

Potenzielle Brandgefahr. Benutzen Sie nur Alkali-Batterien oder Nickelmetallhydrid-Akkus (NiMH) für das Messgerät. Andere Batterietypen oder ein falscher Einbau können Brände verursachen. Verwenden Sie nie gleichzeitig unterschiedliche Batterietypen im Messgerät.

### ACHTUNG

Das Batteriegehäuse ist nicht wasserdicht. Falls das Batteriegehäuse nass wurde, entfernen Sie die Batterien und trocknen Sie das Batteriegehäuse von innen. Überprüfen Sie die Batteriekontakte auf Korrosion, und reinigen Sie sie bei Bedarf.

### ACHTUNG

Bei Verwendung von Nickelmetallhydrid-Akkus (NiMH) zeigt das Batteriesymbol nach dem Einlegen frisch geladener Akkus keine volle Ladung an (NiMH-Akkus haben eine Nennspannung von 1,2 V, Alkalibatterien eine von 1,5 V). Auch wenn das Symbol keine vollständige Ladung anzeigt, erreichen die NiMH-Akkus mit 2300 mAh etwa 90% der Betriebsdauer des Geräts mit Alkalibatterien, bevor sie wieder aufgeladen werden müssen.

### ACHTUNG

Um mögliche Beschädigungen des Messgerätes durch auslaufende Batterien zu vermeiden, nehmen Sie die Batterien bei längerem Nichtgebrauch des Messgerätes heraus.

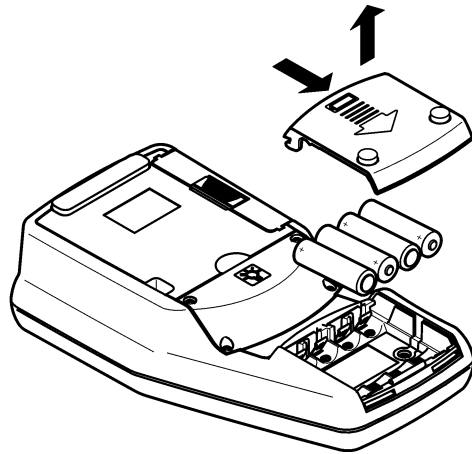
Das Messgerät kann mit Alkalibatterien der Größe AA/LR6 oder aufladbaren Nickelmetallhydrid-Akkus betrieben werden. Um die Batterielebensdauer zu schonen, schaltet sich das Messgerät nach 10 Minuten ohne Aktivität ab. Die Hintergrundbeleuchtung erlischt nach 30 Sekunden. Diese Zeit kann im Energieeinstellungen-Menü geändert werden.

**Hinweis:** Akkus werden nur über das USB/Stromversorgungsmodul aufgeladen. Weitere Informationen finden Sie in der Moduldokumentation.

Für weitere Informationen zum Einsetzen der Batterie siehe [Abbildung 3](#).

1. Nehmen Sie die Batteriefachabdeckung ab.
2. Legen Sie 4 Alkalibatterien oder 4 Nickelmetallhydrid-Akkus der Größe AA/LR6 ein. Achten Sie darauf, die Batterien in der korrekten Ausrichtung einzulegen.
3. Setzen Sie die Batteriefachabdeckung wieder ein.

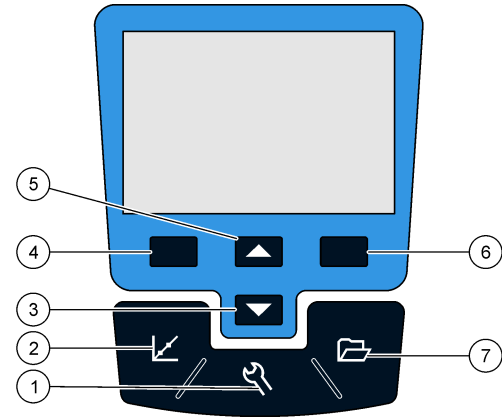
Abbildung 3 Einlegen der Batterien



## Kapitel 4 Benutzeroberfläche und Navigation

### 4.1 Benutzeroberfläche

Abbildung 4 Beschreibung des Tastenfelds

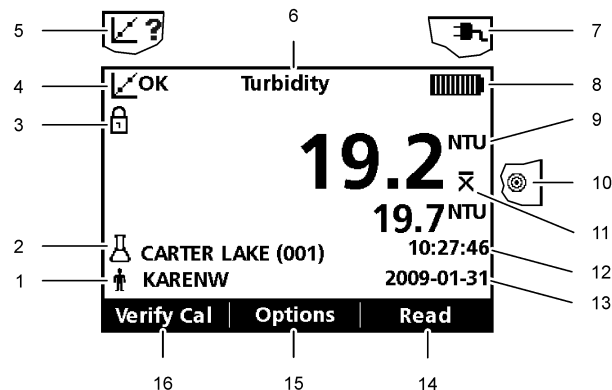


<p><b>1 EINSTELLUNGEN-Taste:</b> Wählt Menüoptionen für die Einstellungen des Messgeräts aus.</p>	<p><b>5 AUF-Taste:</b> Blättert durch Menüs, Eingabe von Zahlen und Buchstaben</p>
<p><b>2 KALIBRIERUNG-Taste:</b> Zeigt die Anzeige zur Kalibrierung an, startet die Kalibrierung, und wählt Kalibrieroptionen aus</p>	<p><b>6 RECHTS-Taste (kontextabhängig):</b> Misst die Trübungsprobe wählt Optionen aus oder bestätigt diese und öffnet Untermenüs oder ruft diese auf.</p>
<p><b>3 AB-Taste:</b> Blättert durch Menüs, Eingabe von Zahlen und Buchstaben</p>	<p><b>7 MESSDATEN-Taste:</b> zeigt gespeicherte Daten an, löscht oder überträgt diese.</p>
<p><b>4 Links-Taste (kontextabhängig):</b> Ruft die Kalibrierungsprüfung auf, verlässt die aktuelle Menüanzeige durch</p>	

## 4.2 Anzeigenbeschreibung

Die Messanzeige zeigt Trübung, Einheit, Kalibrierungsstatus, Datum und Zeit, Anwender-ID (wenn eingerichtet) und Proben-ID (wenn eingerichtet) an. Siehe [Abbildung 5](#).

Abbildung 5 Einzelne Bildschirmanzeige



1 Anwenderkennung	9 NTU (Nephelometrische Trübungseinheit) oder FNU (Formazin-Trübungseinheit)
2 Probenkennung	10 Messmodus: Rapidly Settling Turbidity (Zielscheiben)
3 Stabilitätsanzeige, Symbol für Anzeigensperre	11 Messmodus: Mittelwert (X-quer-Symbol)
4 Kalibrierungsstatus-Anzeige (Kalibrierung OK=OK)	12 Zeit
5 Kalibrierungsstatus-Anzeige (Kalibrierung ?=Fehler)	13 Datum
6 Parametertitel	14 Messen (kontextabhängig: OK, Auswählen)
7 Netzversorgungs-Symbol	15 Optionen (kontextabhängig)
8 Akkusymbol/Batteriesymbol	16 Kalibrierungsprüfung



## 4.3 Navigation

Das Messgerät verfügt über ein Einstellungsmenü, ein Messoptionen-Menü, ein Kalibrieroptionen-Menü und ein Kalibrierungsprüfungs-Menü zur Einstellung der verschiedenen Optionen. Verwenden Sie die Tasten **AUF** und **AB**, um die verschiedenen Optionen zu markieren. Drücken Sie die Taste **RECHTS**, um eine Option zu wählen. Optionen können auf zweierlei Weise geändert werden:


1. Wählen Sie eine Option aus einer Liste: Verwenden Sie die Tasten **AUF** und **AB**, um eine Option zu wählen. Wenn Kontrollkästchen angezeigt werden, kann mehr als eine Option ausgewählt werden. Drücken Sie die Taste **LINKS** unter „Auswählen“.

*Hinweis: Um Kontrollkästchen zu deaktivieren, drücken Sie die Taste **LINKS** unter „Abwählen“.*

2. Geben Sie einen Wert mit den Pfeiltasten ein: Drücken Sie die Taste **OBEN** und **UNTEN** um einen Wert einzugeben oder zu ändern.
3. Drücken Sie die Taste **RECHTS** Taste, um zur nächsten Position zu gelangen.
4. Drücken Sie die Taste **RECHTS** unter **OK**, um den Wert anzunehmen.

## Kapitel 5 Inbetriebnahme

### 5.1 Ein-/Ausschalten des Messgerätes

 Drücken Sie die Taste **EIN/AUS**, um das Messgerät ein- und auszuschalten. Wenn sich das Messgerät nicht einschalten lässt, vergewissern Sie sich, dass die Batterien oder das Modul richtig eingesetzt sind oder dass das AC-Netzteil korrekt in eine Steckdose eingesteckt ist.

*Hinweis: Zum Abschalten des Messgeräts kann auch die automatische Abschaltung verwendet werden. Zusätzliche Informationen finden Sie auf der Website des Herstellers.*

### 5.2 Ändern der Sprache

Es gibt drei Optionen zur Einstellung der Sprache:

- Die Anzeigensprache wird beim ersten Einschalten des Messgerätes ausgewählt.
- Die Einstellung der Dosülaysprache wird durch Drücken und Halten der EIN/AUS-Taste aufgerufen.
- Außerdem kann die Sprache auch im Menü „Einstellungen“ geändert werden.

1. Wählen Sie eine Sprache aus der Liste. Bestätigen Sie mit **OK**.
2. Drücken Sie **Fertig**, wenn die Aktualisierung abgeschlossen ist.

### 5.3 Ändern von Datum und Zeit

Datum und Zeit können im Menü „Datum und Uhrzeit“ geändert werden.

1. Drücken Sie die Taste **Einstellungen** und wählen Sie „Datum und Uhrzeit“.
2. Aktualisieren Sie Zeit und Datum:

Optionen	Beschreibung
<b>Format</b>	Wählen Sie eines der folgenden Formate für Datum und Zeit: JJJJ-MM-TT 24h JJJJ-MM-TT 12h TT-MM-JJJJ 24h TT-MM-JJJJ 12h MM/TT/JJJJ 24h MM/TT/JJJJ 12h
<b>Datum</b>	Geben Sie das aktuelle Datum ein
<b>Zeit</b>	Geben Sie die aktuelle Zeit ein

Das aktuelle Datum und die aktuelle Zeit werden in der Anzeige angezeigt.

Nach der Einstellung von Datum und Zeit ist das Messgerät zur Messung bereit.

## Kapitel 6 Standardbetrieb

### 6.1 Verwenden einer Proben-ID

Die Proben-ID-Kennung wird verwendet, um Messungen einem bestimmten Probenort zuzuweisen. Wenn sie zugewiesen wurde, enthalten alle gespeicherten Daten diese ID.

1. Wählen Sie **Proben-ID** im Menü „Einstellungen“.
2. Fügen Sie eine Proben-ID hinzu, ändern oder löschen Sie eine Proben-ID:

Optionen	Beschreibung
<b>Aktuelle ID</b>	Wählen Sie eine ID aus einer Liste. Die Aktuelle ID wird den Proben Daten zugewiesen, bis eine andere ID gewählt wurde.
<b>Erstellen einer neuen Proben-ID</b>	Geben Sie einen Namen für die neue Proben-ID ein.
<b>Proben-ID löschen</b>	Löschen Sie eine vorhandene Proben-ID.

### 6.2 Verwenden einer Anwender-ID

Die Anwender-ID-Kennung ordnet Messungen einem bestimmten Anwender zu. Alle gespeicherten Daten enthalten diese ID.

1. Wählen Sie **Anwender-ID** im Menü „Anzeige“.
2. Wählen, erstellen oder löschen Sie eine Anwender-ID:

Optionen	Beschreibung
<b>Aktuelle ID</b>	Wählen Sie eine ID aus einer Liste. Die Aktuelle ID wird den Proben Daten zugewiesen, bis eine andere ID gewählt wurde.

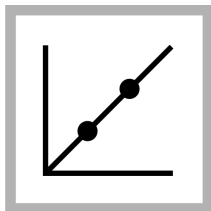
Optionen	Beschreibung
<b>Erstellen einer neuen Anwender-ID</b>	Geben Sie einen Namen für die neue Anwender-ID ein (maximal 10 Namen können eingegeben werden).
<b>Anwender-ID löschen</b>	Löschen einer vorhandenen Anwender-ID.

## Kapitel 7 Fortgeschrittener Betrieb

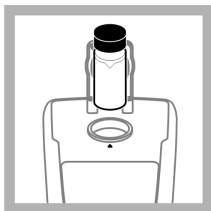
### 7.1 Kalibrieren des Trübungsmessgeräts mit Stabil Standards

*Hinweis: Um eine optimale Genauigkeit zu erhalten, verwenden Sie für alle Messungen während der die gleiche Küvette oder vier aufeinander abgestimmte Küvetten. Setzen Sie die Küvette so in den Messschacht des Gerätes ein, dass die Rau-*

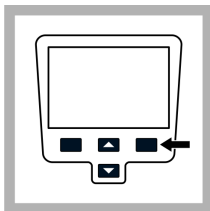
te oder die Ausrichtungsmarkierung mit der geprägten Markierung vorne am Küvettenfach ausgerichtet ist.



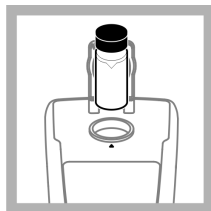
1. Drücken Sie die Taste **Kalibrierung**, um den Kalibrierungsmodus aufzurufen. Folgen Sie den Anweisungen auf der Anzeige.  
**Hinweis:** Drehen Sie jeden Standard vor dem Einsetzen vorsichtig auf den Kopf und wieder zurück.



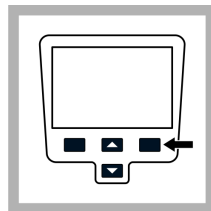
2. Setzen Sie den 20 NTU-StablCal®-Standard ein und schließen Sie den Deckel.  
**Hinweis:** Der einzusetzende Standard ist mit einem Rahmen hervorgehoben.



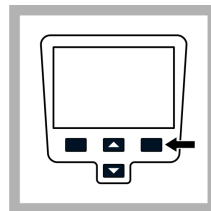
3. Drücken Sie **Read** (Messen). Auf der Anzeige wird „Stabilisiere...“ angezeigt, anschließend das Ergebnis.



4. Wiederholen Sie die Schritte 2 und 3 mit den 100 NTU- und 800 NTU-StablCal®-Standards.  
**Hinweis:** Drücken Sie **Fertig**, um die 2-Punkt-Kalibrierung abzuschließen.



5. Drücken Sie **Ende**, um die Kalibrierungsdetails anzuzeigen.



6. Drücken Sie **Speichern**, um das Ergebnis zu speichern. Nach abgeschlossener Kalibrierung wechselt das Messgerät automatisch zum Modus „Kal. Prüfung“. Zusätzliche Informationen finden Sie auf der Website des Herstellers.

## 7.2 Messmodi

1. Drücken Sie die Taste **AUF** oder **AB**, um das Messoptionen-Menü aufzurufen.
2. Wählen Sie „Messmodus“, um eine der folgenden Optionen auszuwählen:

Optionen	Beschreibung
<b>Normal (Grundeinstellung)</b>	Der normale Modus führt drei Messungen aus und mittelt die Messwerte. Nach der Messung wird das Ergebnis angezeigt.

Optionen	Beschreibung
----------	--------------

**Mittelwert**



Der Mittelwert-Modus kompensiert Messwertschwankungen, die durch Partikel verursacht werden, die durch den Strahlengang driften.

Wenn die Signalmittelung aktiviert ist, wird das Symbol „X-quer“ angezeigt.

Im Mittelwert-Modus führt das Gerät 12 Messungen aus, die Mittelwerte werden ab der dritten Messung angezeigt. Das Endergebnis ist der Mittelwert aller 12 Messungen.

**Rapidly Settling Turbidity™ (RST)**



Der Rapidly Settling Turbidity™ (RST)-Modus berechnet und aktualisiert die Trübungsmesswerte der Probe kontinuierlich auf einen Vertrauensbereich von 95%, basierend auf dem akkumulierten Trend der in Echtzeit gemessenen Werte.

Der RST-Modus eignet sich ideal für Proben, die sich schnell absetzen und deren Wert sich kontinuierlich ändert. Die Messung basiert auf einer korrekt vorbereiteten Probe, die am Anfang der Messung homogen ist. Der Modus eignet sich am besten für Proben über 20 NTU. Die Probe muss unmittelbar vor dem Einsetzen in das Messgerät durch Umdrehen auf den Kopf gründlich gemischt werden.

Wenn der Rapidly Settling Turbidity-Modus aktiv ist, leuchtet das Zielscheibensymbol in der Anzeige.

Der Rapidly Settling Turbidity-Modus misst und berechnet fünf Messwerte. Dabei werden die Zwischenergebnisse angezeigt.

## Kapitel 8 Wartung

**⚠ VORSICHT**



Mehrere Gefahren. Nur qualifiziertes Personal sollte die in diesem Kapitel des Dokuments beschriebenen Aufgaben durchführen.

### 8.1 Reinigen des Messgeräts

Das Gerät ist wartungsfrei und benötigt im normalen Betrieb keine regelmäßige Reinigung. Das Gehäuse des Messgeräts kann bei Bedarf von außen gereinigt werden.

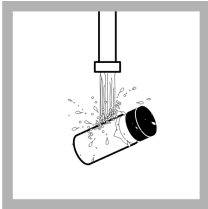
**Hinweis:** Reinigen Sie das Messgerät nicht mit Lösemittel, anderenfalls wird das Material beschädigt.

1. Reinigen Sie das Messgerät mit einem staub- und fusselfreien oder einem leicht angefeuchteten Tuch. Für fettlösliche Verunreinigungen kann eine milde Seifenlösung verwendet werden.

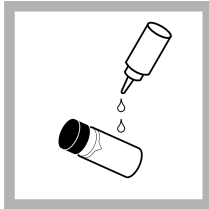
### 8.2 Auftragen von Silikonöl auf eine Küvette

Die Küvetten und Kappen müssen sehr sauber gehalten werden und weitestgehend frei von Kratzern sein. Tragen Sie einen dünnen Film Silikonöl auf die Außenseite der Küvetten auf, um kleinere Unregelmäßigkeiten und Kratzer abzudecken, die sonst auch zur Lichtstreuung beitragen würden.

**Hinweis:** Verwenden Sie ausschließlich das mitgelieferte Silikonöl. Das Silikonöl hat den gleichen Brechungsindex wie das Glas der Küvette.



1. Reinigen Sie die Küvetten und Kappen innen und außen mit einem Labor-Glasreiniger. Spülen Sie anschließend mehrmals mit destilliertem oder demineralisiertem Wasser nach.



2. Tragen Sie von der Oberkante der Küvette zur Unterseite hin wenig Silikonöl auf.



3. Verteilen Sie das Öl mit dem mitgelieferten Öltuch gleichmäßig. Wischen Sie überschüssiges Öl ab, so dass nur ein dünner Ölfilm übrig bleibt. Stellen Sie sicher, dass die Küvette fast trocken ist und dass nur wenig oder kein Öl sichtbar ist.

*Hinweis: Bewahren Sie die Öltuch in seinem Kunststoffbeutel auf, um es sauber zu halten.*

### 8.3 Aufbewahren der Küvetten

#### **ACHTUNG**

Trocknen Sie die Küvetten nicht mit Luft.

*Hinweis: Lagern Sie Probezellen immer mit angebrachten Kappen, damit sie nicht austrocknen.*

1. Füllen Sie die Küvetten mit destilliertem oder demineralisiertem Wasser.

2. Schrauben Sie die Kappe auf und lagern Sie die Küvetten.
3. Wischen Sie die Küvetten von außen mit einem weichen Tuch trocken.

### 8.4 Auswechseln der Batterien

#### **⚠️ WARNUNG**



Explosionsgefahr. Leere Batterien können eine Ansammlung von Wasserstoffgas im Gerät verursachen. Wechseln Sie die Batterie, bevor diese leer wird. Entfernen Sie die Batterie, wenn Sie das Gerät längere Zeit nicht verwenden.

#### **⚠️ WARNUNG**

Potenzielle Brandgefahr. Benutzen Sie nur Alkali-Batterien oder Nickelmetallhydrid-Akkus (NiMH) für das Messgerät. Andere Batterietypen oder ein falscher Einbau können Brände verursachen. Verwenden Sie nie gleichzeitig unterschiedliche Batterietypen im Messgerät.

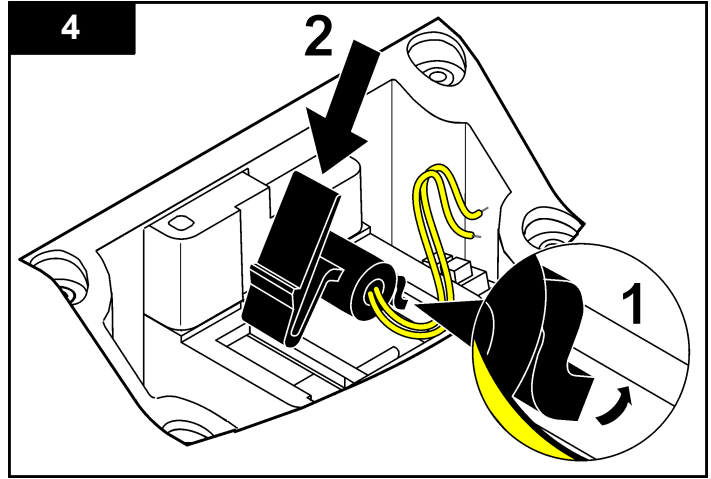
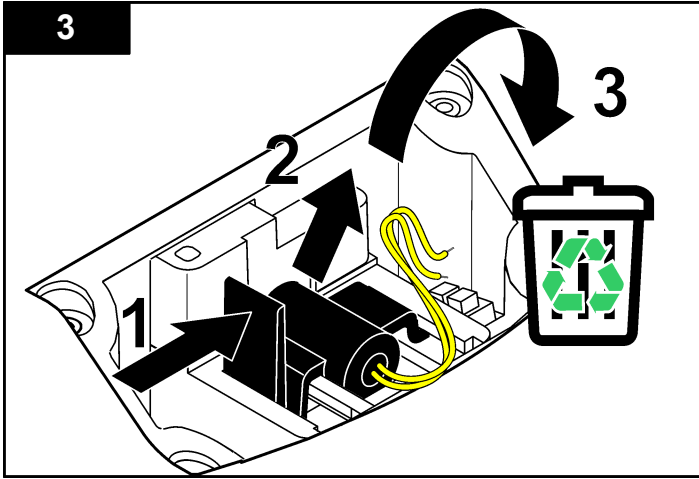
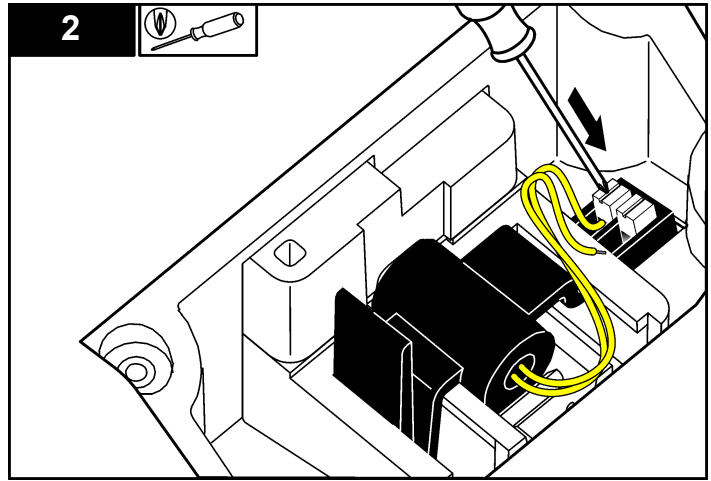
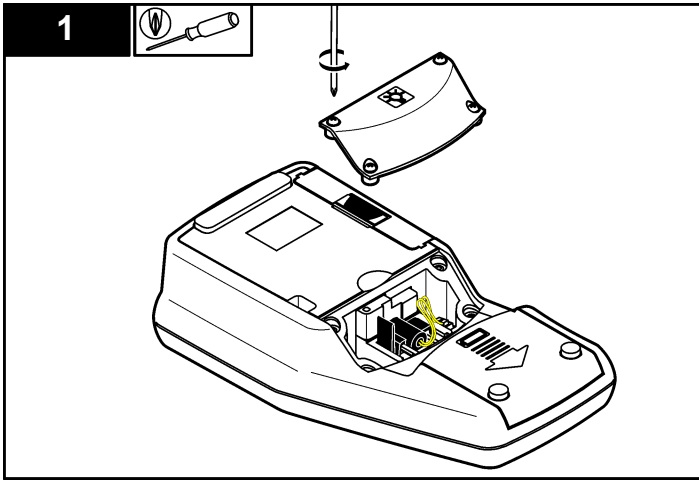
Für weitere Informationen zum Austausch der Batterie siehe [Einlegen der Batterien](#) auf Seite 22

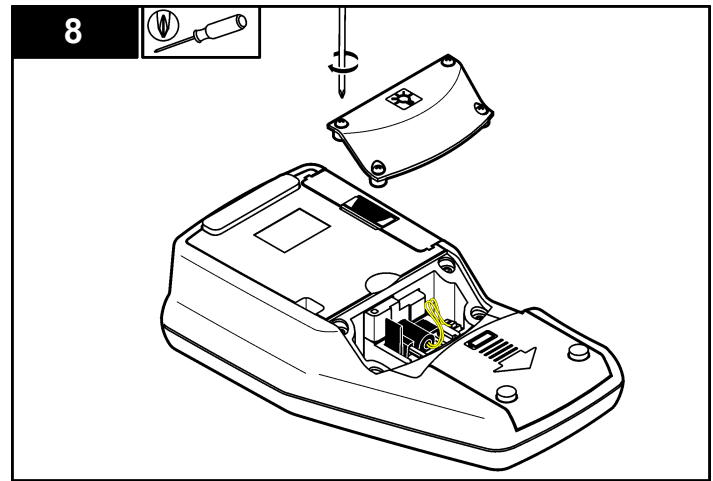
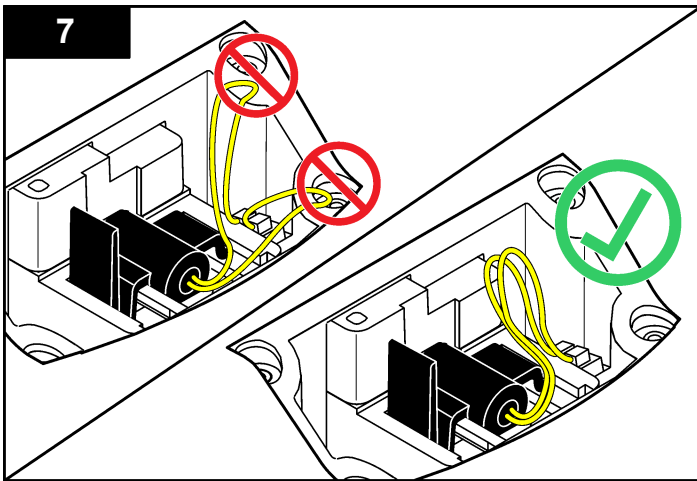
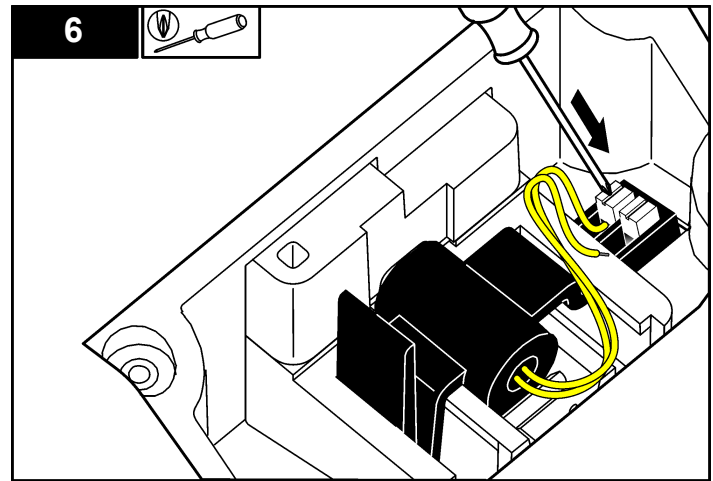
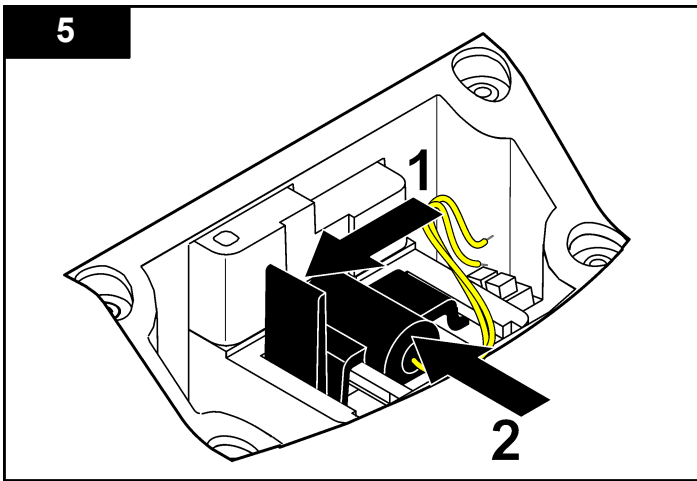
1. Nehmen Sie die Batteriefachabdeckung ab.
2. Nehmen Sie die Batterien aus dem Messgerät.
3. Legen Sie 4 Alkalibatterien oder 4 Nickelmetallhydrid-Akkus der Größe AA/LR6 ein. Achten Sie darauf, die Batterien in der korrekten Ausrichtung einzulegen.
4. Setzen Sie die Batteriefachabdeckung wieder ein.

### 8.5 Austauschen der Lampe

#### **⚠️ VORSICHT**

Verbrennungsgefahr. Warten Sie, bis die Leuchte abgekühlt ist. Das Berühren der heißen Leuchte kann zu Verbrennungen führen.





## Kapitel 9 Fehlerbehebung

Die folgende Tabelle beschreibt allgemeine Problemmeldungen oder Symptome, mögliche Ursachen sowie Abhilfemaßnahmen.

Fehler/Warnung	Beschreibung	Lösung
<b>Bitte Deckel schließen.</b>	Der Deckel ist offen oder die Deckelerkennung funktioniert nicht..	Stellen Sie sicher, dass der Deckel während der Messung geschlossen ist und wiederholen Sie die Messung.
<b>Batteriestand niedrig!</b>	Die Batteriespannung ist niedrig.	<ul style="list-style-type: none"> <li>• Setzen Sie neue Batterien ein.</li> <li>• Schließen Sie das USB/Stromversorgungsmodul an, wenn Akkus verwendet werden</li> </ul>
<b>AD Wandler!</b>	Hardware-Fehler haben Messfehler verursacht.	Wiederholen Sie die Messung.
<b>Detektorsignal zu gering!</b>	Den 180°-Detektor erreicht nicht genug Licht.	<ul style="list-style-type: none"> <li>• Prüfen Sie den Strahlengang auf Lichtdurchlässigkeit</li> <li>• Prüfen Sie die Lampe.</li> </ul>
<b>Bereichsüberschreitung!</b>	Die Trübung ist zu hoch – wahrscheinlich verursacht durch Kalibrieren nur mit RapidCal.	<ul style="list-style-type: none"> <li>• Kalibrieren Sie den oberen Bereich.</li> <li>• Verdünnen Sie die Probe.</li> </ul>

Fehler/Warnung	Beschreibung	Lösung
<b>Unterhalb des Bereichs!</b>	Die gemessene Trübung liegt unter dem Kalibrierungsbereich.	Wiederholen Sie die Kalibrierung
<b>Bitte prüfen Sie die Lampe!</b>	Die Signale an den 90°- und 180°-Detektoren sind zu gering.	<p><b>2100Q:</b> Die Lampe ist defekt. Tauschen Sie die Lampe aus (siehe <a href="#">Austauschen der Lampe</a> auf Seite 29).</p> <p><b>2100Qis:</b> Wenden Sie sich an den technischen Support.</p>
<b>Temperatur zu hoch! Schalten Sie das Gerät aus.</b>	Die Temperatur hat die Grenzwerte des Messgeräts (>60 °C oder >140 °F) überschritten.	Schalten Sie das Messgerät aus und lassen Sie es abkühlen.
<b>RST: Mittelwert!</b>	Feststoffe setzen sich zu langsam ab. Der Messmodus eignet sich nicht für diese Probe.	Wählen Sie den Normal- oder Mittelwert-Messmodus.



Fehler/Warnung	Beschreibung	Lösung
<b>Vertrauensbereich &lt; 95%</b>	Der Messmodus „Rapidly Settling Turbidity“ erreichte den Vertrauensbereich von $\geq 95\%$ nicht.	<ul style="list-style-type: none"> <li>Drehen Sie die Probe mehrmals um, damit sich die Feststoffe verteilen. Wiederholen Sie die Messung.</li> <li>Wechseln Sie zum Normal-Messmodus, wenn sich die Probe stabilisiert hat und keine Feststoffe enthält, die sich absetzen.</li> </ul>
<b>Standard außerhalb des Bereiches. Bitte Standard einsetzen</b>	Für die Messung wurde eine falscher Standardwert verwendet.	Setzen Sie den richtigen Standard ein und wiederholen Sie die Messung.
<b>ID schon vorhanden. Neue ID:</b>	Die Anwender- oder Proben-ID ist nicht verfügbar, da sie bereits zugewiesen wurde.	Erstellen Sie eine neue Proben-ID.
<b>Fehler - Passwort Bitte zuerst Passwort eingeben</b>	Es wurde kein Passwort angelegt.	Erstellen Sie ein neues Passwort.
<b>Bitte ein Zeichen eingeben.</b>	Das Passwort muss mindestens ein Zeichen enthalten.	Geben Sie eine Passwort mit mindestens einem Zeichen ein.
<b>Passwort ungültig. Bitte wiederholen.</b>	Ein falsches Kennwort wurde eingegeben.	Geben Sie das korrekte Kennwort ein.

Fehler/Warnung	Beschreibung	Lösung
<b>Bitte die USB-Verbindung zum PC trennen..</b>	Datenspeicher reagiert nicht, während er an Messgerät und Computer angeschlossen ist.	Trennen Sie das USB-Kabel vom Messgerät und senden Sie die Daten erneut.
<b>USB Modul: Speicher voll. Bitte Daten löschen.</b>	Der Datenspeicher ist voll.	<ol style="list-style-type: none"> <li>Schließen Sie das USB/Stromversorgungsmodul an den Computer an.</li> <li>Laden Sie den gespeicherten Daten auf den Computer herunter.</li> <li>Löschen Sie die Messdaten am Modul.</li> </ol>

Fehler/Warnung	Beschreibung	Lösung
<b>Fehler beim Löschen des letzten Messwertes!</b>	Fehler im Datenspeicher.	Schalten Sie das Messgerät aus und ein. Wenn die Fehlermeldung weiterhin auftritt, kontaktieren Sie den technischen Kundendienst.
<b>Fehler beim Löschen der Messwerte!</b>		
<b>Fehler beim Lesen der Daten!</b>		
<b>Fehler beim Schreiben!</b>		
<b>Fehler bei Speichern des Messwertes!</b>		
<b>Fehler bei Speichern der Prüfung!</b>		
<b>Fehler beim Schreiben der Daten!</b>		
<b>Fehler beim Lesen der Daten!</b>		

## Table des matières

- |   |   |
|---|---|
| 1 <a href="#">Caractéristiques techniques</a><br>à la page 35         | 6 <a href="#">Fonctionnement standard</a><br>à la page 43 |
| 2 <a href="#">Généralités</a> à la page 36                            | 7 <a href="#">Utilisation avancée</a><br>à la page 43     |
| 3 <a href="#">Installation</a> à la page 39                           | 8 <a href="#">Maintenance</a> à la page 45                |
| 4 <a href="#">Interface utilisateur et navigation</a><br>à la page 40 | 9 <a href="#">Dépannage</a> à la page 49                  |
| 5 <a href="#">Mise en marche</a> à la page 42                         |   |

## Section 1 Caractéristiques techniques

Ces caractéristiques sont susceptibles d'être modifiées sans avis préalable.

Caractéristique	Détails
Méthode de mesure	Détermination du rapport de turbidité par un signal de dispersion de lumière néphélométrique primaire (90°) par rapport à un signal de diffusion de lumière transmise.
Réglementation	<b>2100Q</b> : Conforme à la méthode EPA 180.1
Lampe source	<b>2100Q</b> : Lampe à filament de tungstène <b>2100Qis</b> : Diode émettrice de lumière (LED)
Plage	0–1000 NTU (FNU)
Précision	±2% de la mesure plus lumière parasite de 0–1000 NTU (FNU)
Répétabilité	± 1 % de la mesure ou 0,01 NTU (FNU), valeur la plus grande
Résolution	0,01 NTU sur la gamme la plus basse
Lumière parasite	≤ 0,02 NTU (FNU)

Caractéristique	Détails
Moyenne pondérée du signal	Activer ou désactiver au choix
Détecteur	Photodiode au silicium
Catégorie de surtension	II
Altitude	2 000 m (6 562 pieds) maximum
Modes de mesure	Normal (Appuyer pour mesurer), Moyenne du signal ou Rapidly Settling Turbidity
Options d'étalonnage	RapidCal en une étape pour mesure réglementaire de bas niveau de 0 à 40 NTU (FNU) Étalonnage sur toute la gamme de 0 à 1000 NTU (FNU) Étalonnage par rapport à des degrés de turbidité
Enregistreur d'étalonnage	Enregistre les 25 derniers étalonnages réussis
Enregistreur de vérification	Enregistre les 250 dernières vérifications réussies
Enregistreur de données	500 enregistrements
Exigences électriques	Alimentation par piles : 6 VDC maximum (4 piles NiMH 1,2 V AA ou 4 piles alcalines 1,5 V AA) Alimentation externe : 100-240 VAC ± 10%; sortie 5 W (9 VDC, 600 mA maximum)
Conditions de fonctionnement	Température : 0 à 50 °C (32 à 122 °F) Humidité relative : 0–90% à 30 °C, 0–80% à 40 °C, 0–70% à 50 °C, sans condensation

Caractéristique	Détails
Conditions de stockage	-40 à 60 °C (-40 à 140 °F), instrument seulement
Interface	USB en option
Échantillon nécessaire	15 mL (0,5 oz.)
Cuves d'échantillon	Cuves rondes 60 x 25 cm (2.36 x 1 po) verre au borosilicate avec bouchon à vis
Dimensions	22.9 x 10.7 x 7.7 cm (9.0 x 4.2 x 3.0 pouces)
Poids	530 g (1,17 lb) sans piles 620 g (1,37 lb) avec quatre piles alcalines AA
Classement du boîtier de l'appareil	IP67 (capot fermé, à l'exclusion du compartiment des piles et du module)
Classe de protection	2100Q/is: Classe III Alimentation électrique : classe II
Niveau de pollution	2
Conditions environnementales	Utilisation en intérieur et en extérieur
Certification	Certifié CE
Garantie	1 an (UE : 2 ans)

## Section 2 Généralités

En aucun cas le constructeur ne saurait être responsable des dommages directs, indirects, spéciaux, accessoires ou consécutifs résultant d'un défaut ou d'une omission dans ce manuel. Le constructeur

se réserve le droit d'apporter des modifications à ce manuel et aux produits décrits, à tout moment, sans avertissement ni obligation. Les éditions révisées se trouvent sur le site Internet du fabricant.

### 2.1 Consignes de sécurité

Le fabricant décline toute responsabilité quant aux dégâts liés à une application ou un usage inappropriés de ce produit, y compris, sans toutefois s'y limiter, des dommages directs ou indirects, ainsi que des dommages consécutifs, et rejette toute responsabilité quant à ces dommages dans la mesure où la loi applicable le permet. L'utilisateur est seul responsable de la vérification des risques d'application critiques et de la mise en place de mécanismes de protection des processus en cas de défaillance de l'équipement.

Veillez lire l'ensemble du manuel avant le déballage, la configuration ou la mise en fonctionnement de cet appareil. Respectez toutes les déclarations de prudence et d'attention. Le non-respect de cette procédure peut conduire à des blessures graves de l'opérateur ou à des dégâts sur le matériel.

Assurez-vous que la protection fournie avec cet appareil n'est pas défaillante. N'utilisez ni n'installez cet appareil d'une façon différente de celle décrite dans ce manuel.

### 2.2 Informations sur les risques d'utilisation

#### **▲ DANGER**

Indique une situation de danger potentiel ou imminent qui, si elle n'est pas évitée, entraîne des blessures graves, voire mortelles.

#### **▲ AVERTISSEMENT**

Indique une situation de danger potentiel ou imminent qui, si elle n'est pas évitée, peut entraîner des blessures graves, voire mortelles.

#### **▲ ATTENTION**




Indique une situation de danger potentiel qui peut entraîner des blessures mineures ou légères.

## AVIS

Indique une situation qui, si elle n'est pas évitée, peut occasionner l'endommagement du matériel. Informations nécessitant une attention particulière.

### 2.3 Etiquettes de mise en garde

Lisez toutes les informations et toutes les étiquettes apposées sur l'appareil. Des personnes peuvent se blesser et le matériel peut être endommagé si ces instructions ne sont pas respectées. Tout symbole sur l'appareil renvoie à une instruction de mise en garde dans le manuel.

	Ceci est le symbole d'alerte de sécurité. Respectez tous les messages de sécurité qui suivent ce symbole afin d'éviter tout risque de blessure. S'ils sont apposés sur l'appareil, se référer au manuel d'utilisation pour connaître le fonctionnement ou les informations de sécurité.
	Ce symbole indique qu'il existe un risque de choc électrique et/ou d'électrocution.
	Le matériel électrique portant ce symbole ne doit pas être mis au rebut dans les réseaux domestiques ou publics européens. Retournez le matériel usé ou en fin de vie au fabricant pour une mise au rebut sans frais pour l'utilisateur.

### 2.4 Conformité et certification

#### ⚠ ATTENTION

Cet équipement n'est pas conçu pour être utilisé dans des environnements résidentiels et peut ne pas offrir une protection adéquate à la réception radio dans de tels environnements.

#### Règlement canadien sur les équipements causant des interférences radio, ICES-003, Classe A :

Les données d'essai correspondantes sont conservées chez le constructeur.

Cet appareil numérique de classe A respecte toutes les exigences du Règlement sur le matériel brouilleur du Canada.

Cet appareil numérique de classe A répond à toutes les exigences de la réglementation canadienne sur les équipements provoquant des interférences.

#### FCC part 15, limites de classe A :

Les données d'essai correspondantes sont conservées chez le constructeur. L'appareil est conforme à la partie 15 de la réglementation FCC. Le fonctionnement est soumis aux conditions suivantes :

1. Cet équipement ne peut pas causer d'interférence nuisible.
2. Cet équipement doit accepter toutes les interférences reçues, y compris celles qui pourraient entraîner un fonctionnement inattendu.

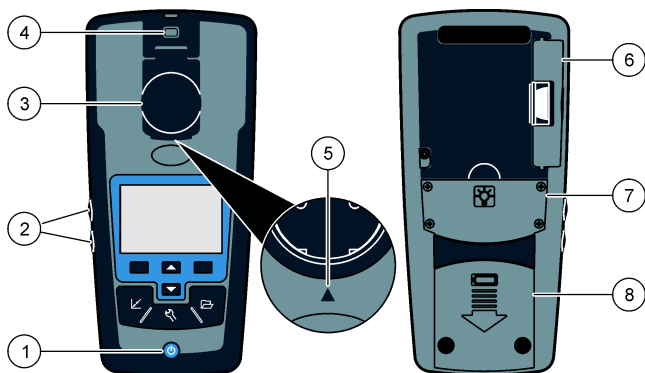
Les modifications de cet équipement qui n'ont pas été expressément approuvées par le responsable de la conformité aux limites pourraient annuler l'autorité dont l'utilisateur dispose pour utiliser cet équipement. Cet équipement a été testé et déclaré conforme aux limites définies pour les appareils numériques de classe A, conformément à la section 15 de la réglementation FCC. Ces limites ont pour but de fournir une protection raisonnable contre les interférences néfastes lorsque l'équipement fonctionne dans un environnement commercial. Cet équipement génère, utilise et peut irradier l'énergie des fréquences radio et, s'il n'est pas installé ou utilisé conformément au mode d'emploi, il peut entraîner des interférences dangereuses pour les communications radio. Le fonctionnement de cet équipement dans une zone résidentielle risque de causer des interférences nuisibles, dans ce cas l'utilisateur doit corriger les interférences à ses frais. Les techniques ci-dessous peuvent permettre de réduire les problèmes d'interférences :

1. Débrancher l'équipement de la prise de courant pour vérifier s'il est ou non la source des perturbations
2. Si l'équipement est branché sur le même circuit de prises que l'appareil qui subit des interférences, branchez l'équipement sur un circuit différent.
3. Eloigner l'équipement du dispositif qui reçoit l'interférence.
4. Repositionner l'antenne de réception du périphérique qui reçoit les interférences.
5. Essayer plusieurs des techniques ci-dessus à la fois.

## 2.5 Présentation du produit

Les turbidimètres portables 2100Q et 2100Q*is* mesurent la turbidité de 0 à 1000 NTU (FNU). Essentiellement destinés à l'utilisation sur le terrain, ces appareils de mesure portables fonctionnent sur quatre piles AA. Les données peuvent être enregistrées et transférées vers une imprimante, un ordinateur ou un périphérique de stockage USB.

Figure 1 Présentation du produit

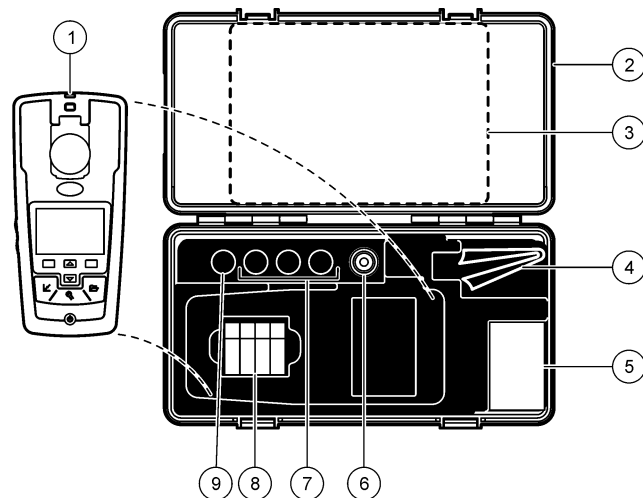


1 Allumage ou extinction	5 Flèche d'alignement
2 Touches de rétroéclairage (+ et -)	6 Module
3 Porte-cuve à échantillon avec couvercle	7 Compartiment de la lampe
4 Fixation pour la lumière	8 Compartiment à piles

## 2.6 Composants du produit

Consultez la [Figure 2](#) pour vous assurer que tous les éléments ont bien été reçus. Si un élément est manquant ou endommagé, contactez immédiatement le fabricant ou un représentant.

Figure 2 Composant du 2100Q et 2100Q*is*



1 Turbidimètre 2100Q ou 2100Q <i>is</i>	6 Huile de silicone
2 Sacoche de transport	7 Étalons d'étalonnage StabCal 20, 100 et 800 NTU
3 Manuel d'utilisation et Guide de référence rapide	8 Piles alcalines AA (lot de 4)
4 Chiffon de huilage	9 Étalon de vérification StabCal 10 NTU
5 1" cuve à échantillon (10 mL) avec bouchon (paquet de 6)	

## Section 3 Installation

### ⚠ ATTENTION



Dangers multiples. Seul le personnel qualifié doit effectuer les tâches détaillées dans cette section du document.

### 3.1 Installation de la pile

#### ⚠ AVERTISSEMENT



Risque d'explosion. Les piles vides peuvent entraîner une accumulation d'hydrogène dans l'appareil. Remplacez les piles avant qu'elles ne soient vides. N'entreposez pas l'instrument pour une longue durée en laissant les piles à l'intérieur.

#### ⚠ AVERTISSEMENT

Risque d'incendie potentiel N'utilisez que des piles alcalines ou nickel métal hybride (NiMH) dans l'appareil. D'autres types de piles ou une installation incorrecte pourraient causer un incendie. Ne mélangez jamais les types de piles dans l'appareil.

#### AVIS

Le compartiment des piles n'est pas étanche à l'eau. Si le compartiment des piles est humide, retirez et séchez les piles et séchez l'intérieur du compartiment. Recherchez des traces de corrosion sur les contacts des piles et les nettoyer si nécessaire.

#### AVIS

En cas d'utilisation de piles nickel métal hybride (NiMH), l'icône d'état des piles n'indique pas une charge complète après mise en place de piles venant d'être rechargées (les piles NiMH ont une tension de 1,2 V, les piles alcalines de 1,5 V). Même si l'icône n'indique pas une charge complète, les piles NiMH de 2300 mAh atteignent 90 % de la durée de fonctionnement de l'appareil (avant recharge) comparée à des piles alcalines neuves.

#### AVIS

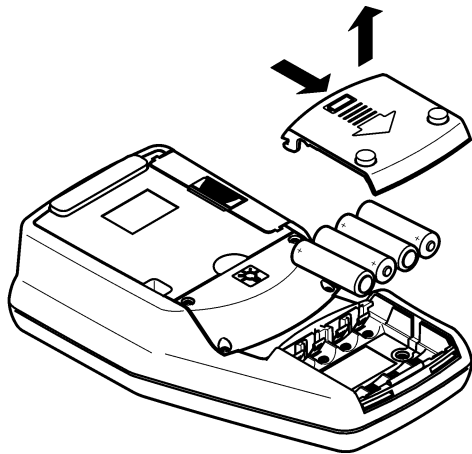
Pour éviter des dégâts potentiels à l'appareil suite à une fuite des piles, retirer les piles de l'appareil de mesure s'il ne doit pas être utilisé pendant une durée prolongée.

L'appareil peut être alimenté par des piles alcalines AA ou rechargeables NiMH. Pour économiser la pile, l'appareil s'éteint après 10 minutes d'inactivité, le rétroéclairage s'éteint après 30 secondes. Cette durée est modifiable dans le menu Gestion de l'alimentation. **Remarque :** Les batteries rechargeables ne peuvent être rechargées qu'avec le module USB/alimentation. Consulter la documentation du module pour plus de détails.

Pour l'installation de la pile, reportez-vous à la [Figure 3](#).

1. Déposer le capot des piles
2. Installez 4 piles alcalines AA ou 4 piles rechargeables nickel métal hybride (NiMH) AA. Vérifier que les piles sont installées dans le bon sens.
3. Reposez le capot des piles.

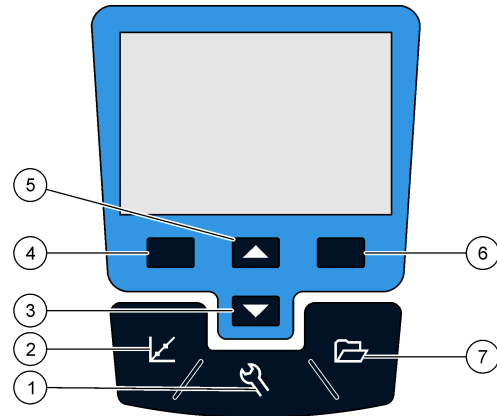
Figure 3 Installation des piles



## Section 4 Interface utilisateur et navigation

### 4.1 Interface utilisateur

Figure 4 Description du clavier



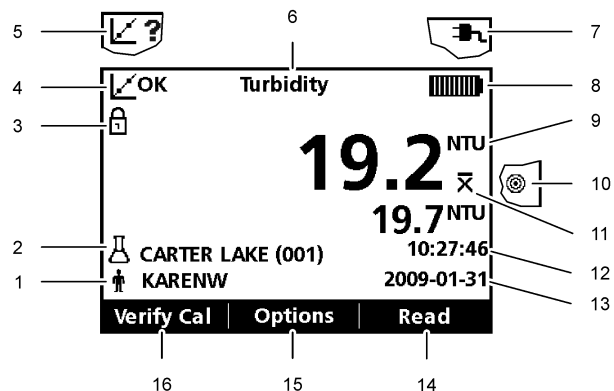
<p><b>1</b> Touche <b>PARAMETRES</b> : sélection des options de menu pour la configuration de l'appareil</p>	<p><b>5</b> Touche <b>HAUT</b> : fait défiler les menus, permet de saisir des nombres et lettres</p>
<p><b>2</b> Touche <b>ETALONNAGE</b> : affiche l'écran d'étalonnage, démarre l'étalonnage, sélectionne les options d'étalonnage</p>	<p><b>6</b> Touche <b>DROITE</b> (contextuel) : mesure de l'échantillon de turbidité, sélection ou confirmation d'options, ouverture/saut à des sous-menus</p>
<p><b>3</b> Touche <b>BAS</b> : fait défiler les menus, permet de saisir des nombres et lettres</p>	<p><b>7</b> Touche <b>GESTION DES DONNEES</b> : consultation, suppression ou transfert de données enregistrées</p>
<p><b>4</b> Touche <b>GAUCHE</b> (contextuel) : accès à la vérification d'étalonnage, annulation ou sortie de l'écran de menu en cours pour revenir</p>	



## 4.2 Description de l'affichage

L'écran de mesure affiche la turbidité, l'unité, l'état d'étalonnage, la date et l'heure, l'identification d'opérateur (si elle est définie) et l'identification de l'échantillon (si elle est définie). Voir [Figure 5](#).

Figure 5 Affichage sur écran unique



1	Identification d'opérateur	9	NTU (Nephelometric Turbidity Unit) ou FNU (Formazin Turbidity Unit)
2	Identification d'échantillon	10	Mode de mesure : Rapidly Settling Turbidity (icône cible)
3	Indicateur de stabilité ou de verrouillage d'affichage	11	Mode de mesure : Moyenne du signal (icône X-bar)
4	Indicateur d'état d'étalonnage (Étalonnage OK=correct)	12	Durée
5	Témoin d'état d'étalonnage (Étalonnage ?=échec)	13	Date
6	Titre du paramètre	14	Mesure (contextuel : OK, Sélection)
7	Icône d'alimentation secteur	15	Options (contextuel)
8	Icône de batterie	16	Étalonnage de vérification

## 4.3 Navigation

L'appareil contient un menu Paramètres, un menu Options de mesure, un menu Options d'étalonnage et un menu Options de vérification d'étalonnage pour modifier les différentes options. Utilisez les touches **HAUT** et **BAS** pour sélectionner différentes options. Appuyer sur la touche **DROITE** pour sélectionner une option. Il y existe deux méthodes pour modifier les options :


1. Sélectionner une option dans la liste : Utiliser les touches **HAUT** et **BAS** pour sélectionner une option. Si des cases à cocher apparaissent, il est possible de sélectionner plus d'une option. Appuyer sur la touche **GAUCHE** sous Cocher.

*Remarque : Pour décocher les cases, appuyer sur la touche **GAUCHE** sous Décocher.*

2. Saisie d'une valeur d'option par les touches fléchées : Appuyer sur les touches **HAUT** et **BAS** pour saisir ou modifier une valeur.
3. Appuyer sur la touche **DROITE** pour avancer à l'emplacement suivant.
4. Appuyer sur la touche **DROITE** sous **OK** pour accepter la valeur.

## Section 5 Mise en marche

### 5.1 Allumage et extinction de l'appareil de mesure

 Appuyer sur la touche **ON/OFF** pour allumer ou éteindre l'appareil de mesure. Si l'appareil de mesure ne s'allume pas, assurez-vous que les piles ou le module sont bien installés ou que l'alimentation CA est bien branchée à une prise électrique.

*Remarque : L'option d'arrêt automatique peut aussi arrêter l'appareil. Des informations supplémentaires sont disponibles sur le site Web du fabricant.*

### 5.2 Changement de langue

La langue peut être réglée de trois façon différente :

- La langue de l'affichage est sélectionnée au premier allumage de l'appareil.
- La langue d'affichage est sélectionnée en maintenant enfoncée la touche d'allumage.
- La langue est modifiable sur le menu Paramètres.

1. Sélectionner une langue dans la liste. Valider en appuyant sur **OK**.
2. Appuyer sur **Terminé** à l'achèvement de la mise à jour.

### 5.3 Réglage de date et heure

La date et l'heure sont modifiables sur le menu Date et heure.

1. Appuyer sur la touche **PARAMETRES** et sélectionner Date et heure.
2. Mise à jour des informations de date et heure :

Options	Descriptions
<b>Format</b>	Sélectionner un des formats date et heure : aaaa-mm-jj 24h aaaa-mm-jj 12h jj-mm-aaaa 24h jj-mm-aaaa 12h mm/jj/aaaa 24h mm/jj/aaaa 12h
<b>Date</b>	Entrer la date du jour
<b>Heure</b>	Entrer l'heure

La date et l'heure en cours apparaissent sur l'écran.

Après réglage de la date et de l'heure, l'instrument est prêt à prendre une mesure.

## Section 6 Fonctionnement standard

### 6.1 Utilisation d'un ID d'échantillon

L'étiquette d'ID d'échantillon permet d'associer les mesures à un emplacement d'échantillon spécifique. Les données enregistrées inclut cette identification si elle est attribuée.

1. Sélectionner **ID d'échantillon** dans le menu Paramètres.
2. Sélection, création ou suppression d'un ID d'échantillon :

Options	Descriptions
<b>ID actuel</b>	Sélectionner un ID dans une liste. L'ID en cours sera associé aux données d'échantillon jusqu'à la sélection d'un ID différent.
<b>Créer un nouvel ID d'échantillon</b>	Entrer un nom pour un nouvel ID d'échantillon.
<b>Supprimer un ID échantillon</b>	Supprime un ID d'échantillon existant.

### 6.2 Utilisation d'un ID d'opérateur

L'étiquette d'ID d'opérateur associe les mesures à un opérateur particulier. Toutes les données enregistrées incluent cet ID.

1. Sélectionner **ID opérateur** dans le menu Paramètres.
2. Sélection, création ou suppression d'un ID d'opérateur :

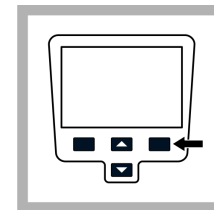
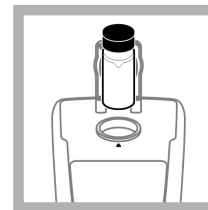
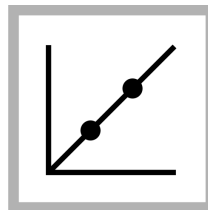
Options	Descriptions
<b>ID actuel</b>	Sélectionner un ID dans une liste. L'ID en cours sera associé aux données d'échantillon jusqu'à la sélection d'un ID différent.

Options	Descriptions
<b>Créer un nouvel ID d'opérateur</b>	Entrer un nom pour un nouvel ID d'opérateur (le maximum est 10 noms pouvant être entrés).
<b>Supprimer un ID opérateur</b>	Supprime un ID d'opérateur existant.

## Section 7 Utilisation avancée

### 7.1 Calibration du turbidimètre avec les étalons Stabi-Cal

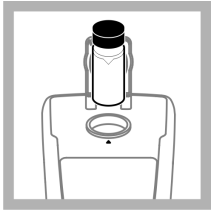
*Remarque : Pour une meilleure précision utiliser la même à échantillon ou quatre cuves à échantillon appariées pour toutes les lectures effectuées pendant l'étalonnage. Insérer la cuve à échantillon dans le compartiment de l'instrument avec le losange ou le repère d'orientation aligné sur le repère en relief à l'avant du compartiment.*



1. Appuyer sur la touche **ETALONNAGE** pour passer en mode d'étalonnage. Suivez les instructions à l'écran.  
*Remarque : Retourner délicatement chaque étalon avant de l'insérer.*

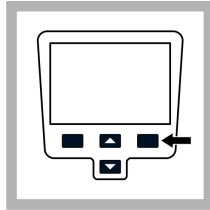
2. Insérer l'étalon StabiCal 20 NTU et fermez le couvercle.  
*Remarque : L'étalon à insérer est encadré.*

3. Appuyez sur **Mesure**. L'écran affiche Stabilisation puis le résultat.

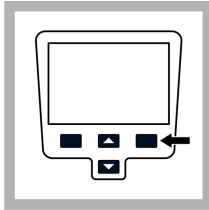


4. Répéter les étapes 2 et 3 avec l'étalon StablCal 100 NTU et 800 NTU.

*Remarque : Appuyer sur Terminé pour terminer un étalonnage à 2 points.*



5. Appuyer sur **Terminé** pour consulter les détails d'étalonnage.



6. Appuyer sur **Enregistrer** pour enregistrer les résultats. Après l'achèvement de l'étalonnage, l'instrument passe automatiquement en mode Vérif. étal. Des informations supplémentaires sont disponibles sur le site Web du fabricant.

## 7.2 Modes de mesure

1. Appuyer sur la touche **HAUT** ou **BAS** pour entrer dans le menu Options de mesure.
2. Sélectionner Mode de mesure pour sélectionner une des options suivantes :

Option	Description
<b>Normal (réglage par défaut)</b>	Le mode normal effectue trois mesures et en fait la moyenne. Le résultat est affiché après la mesure.

Option	Description
--------	-------------

**Moyenne du signal**



Le mode Moyenne du signal compense les fluctuations de lecture causées par une dérive des particules d'échantillon sur le chemin optique.

L'icône X-bar apparaît à l'affichage quand le calcul de moyenne du signal est activé.

Le mode Moyenne du signal effectue 12 mesures et commence l'affichage de la moyenne après trois mesures. Le résultat final est la moyenne des 12 mesures.

**Rapidly Settling Turbidity (RST)**



Le mode Rapidly Settling Turbidity (RST) calcule et effectue la mise à jour permanente de la valeur de turbidité de l'échantillon avec une valeur de confiance de 95%, en fonction de la tendance cumulée des valeurs mesurées en temps réel.

Le mode RST s'utilise au mieux sur les échantillons qui se déposent rapidement et dont la valeur change en permanence. La mesure se base sur un échantillon préparée correctement homogène au début de la mesure. Elle s'applique le mieux aux échantillons de valeur supérieure à 20 NTU.

L'échantillon doit être soigneusement mélangé par retournement juste avant l'insertion dans l'appareil de mesure.

L'icône de cible apparaît à l'écran quand le mode Rapidly Settling Turbidity est activé.

Le mode Rapidly Settling Turbidity effectue cinq mesures et calcule en affichant les résultats intermédiaires.

## Section 8 Maintenance

### ⚠ ATTENTION



Dangers multiples. Seul le personnel qualifié doit effectuer les tâches détaillées dans cette section du document.

### 8.1 Nettoyage de l'appareil de mesure

L'appareil de mesure est conçu pour être sans entretien et ne nécessite pas de nettoyage périodique en fonctionnement normal. Les surfaces extérieures de l'appareil peuvent être nettoyées si nécessaire.

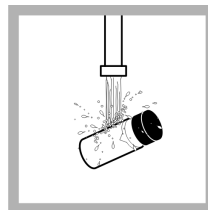
**Remarque :** Ne pas nettoyer l'appareil de mesure avec des solvants pour éviter d'endommager le matériau.

1. Nettoyer l'appareil de mesure avec un chiffon propre et non pelucheux sec ou légèrement humidifié. Une solution de détergent doux peut aussi permettre d'éliminer les salissures liposolubles.

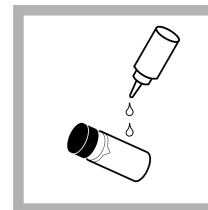
### 8.2 Appliquer l'huile de silicone à une cuve à échantillon

Les cuves à échantillon et leurs bouchons doivent être maintenus extrêmement propres et sans rayures notables. Appliquer une mince couche d'huile au silicone sur l'extérieur des cuves à échantillon pour masquer les imperfections et rayures mineures qui pourraient contribuer à la dispersion de la lumière.

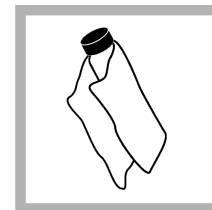
**Remarque :** N'utiliser que l'huile au silicone fournie. Cette huile au silicone a le même indice de réfraction que le verre de la cuve à échantillon.



1. Nettoyer l'intérieur et l'extérieur des cuves et des bouchons en les lavant avec un détergent pour verrerie de laboratoire. Faire suivre par plusieurs rinçages à l'eau distillée ou déminéralisée.



2. Appliquer un petit cordon d'huile au silicone de haut en bas de la cuve.



3. Utiliser le chiffon à huiler fourni pour répartir uniformément l'huile. Essuyer l'excédent d'huile pour ne laisser qu'une mince couche. Assurez-vous que la cuve à échantillon est quasiment sèche avec très peu ou pas d'huile visible.

**Remarque :** Ranger le chiffon à huile dans le sachet de rangement en plastique pour le conserver propre.

### 8.3 Stockage des cuves à échantillon

#### AVIS

Ne séchez pas les cuves à échantillon à l'air.

**Remarque :** Conservez toujours les cuves à échantillon avec leur bouchon pour éviter le séchage des cuves.

1. Remplir les cuves à échantillon avec de l'eau distillée ou déminéralisée.
2. Bouchez et rangez les cuves à échantillon.
3. Sécher l'extérieur des cuves à échantillon en les essuyant avec un chiffon doux.

## 8.4 Remplacement de la batterie

### ⚠ AVERTISSEMENT



Risque d'explosion. Les piles vides peuvent entraîner une accumulation d'hydrogène dans l'appareil. Remplacez les piles avant qu'elles ne soient vides. N'entreposez pas l'instrument pour une longue durée en laissant les piles à l'intérieur.

### ⚠ AVERTISSEMENT

Risque d'incendie potentiel N'utilisez que des piles alcalines ou nickel métal hybride (NiMH) dans l'appareil. D'autres types de piles ou une installation incorrecte pourraient causer un incendie. Ne mélangez jamais les types de piles dans l'appareil.

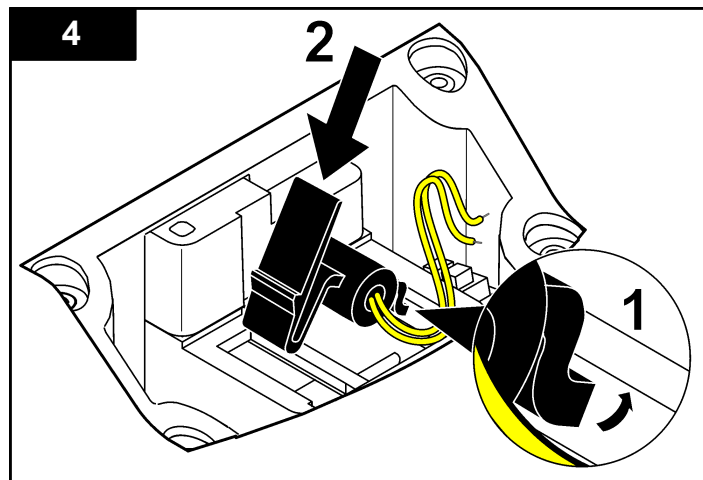
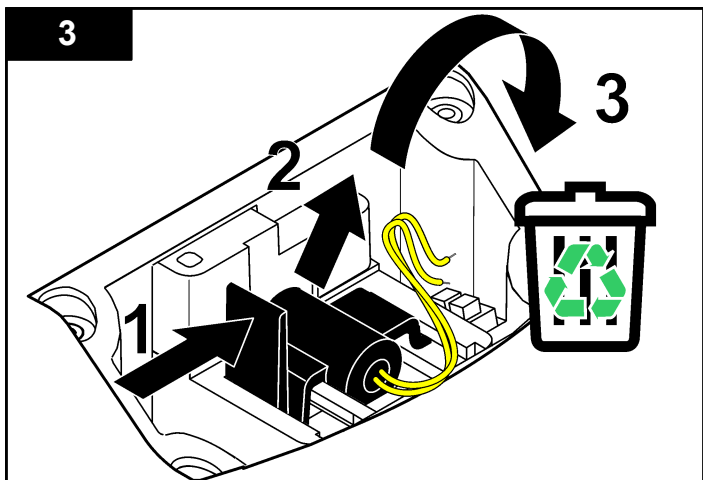
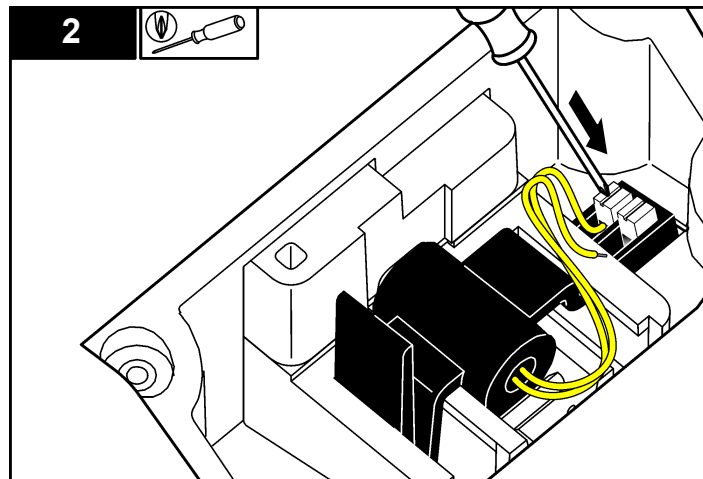
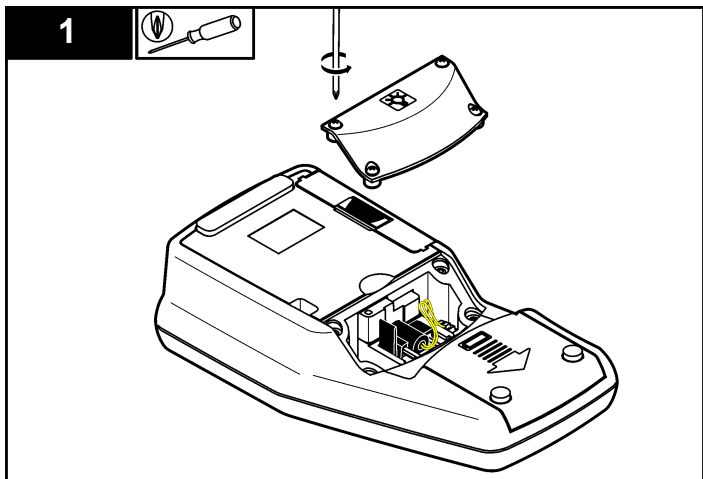
Pour le remplacement de la pile, consulter [Installation de la pile](#) à la page 39.

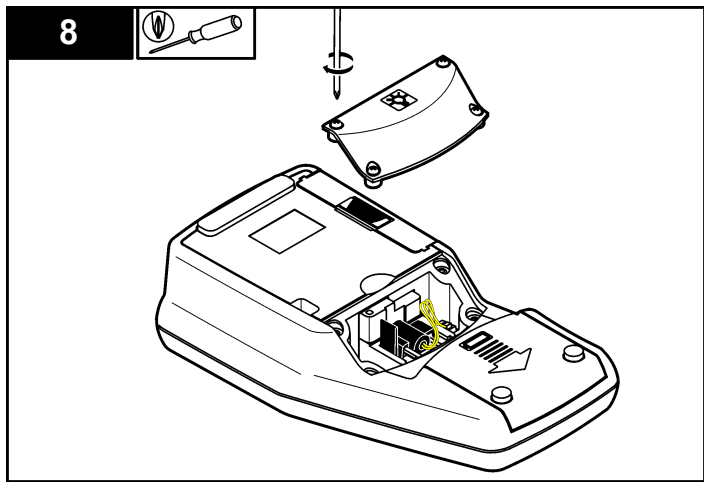
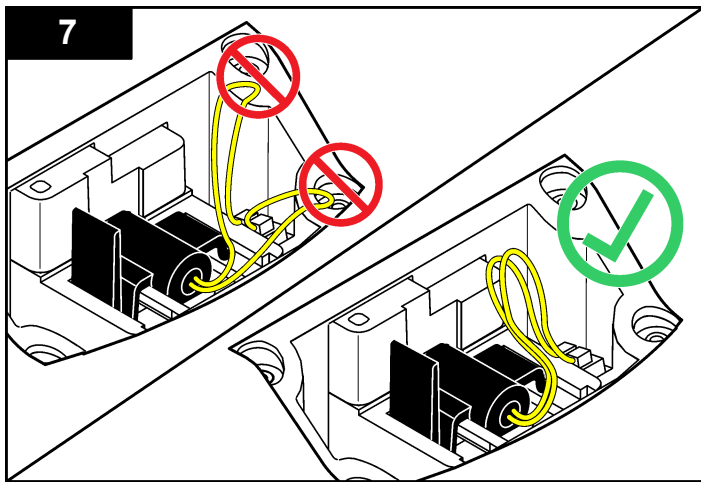
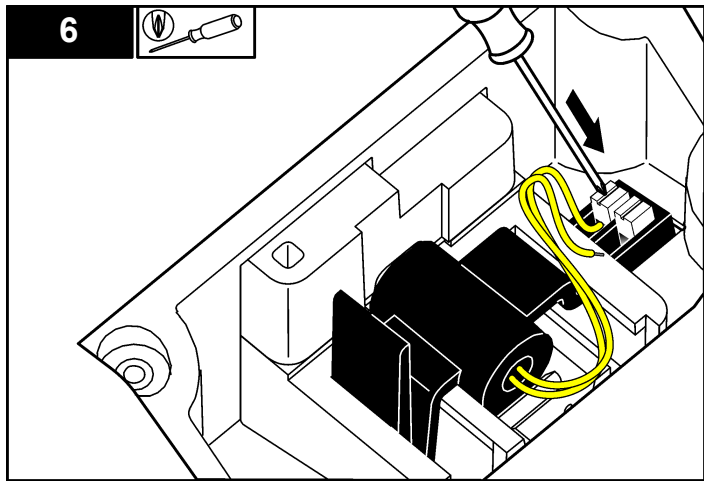
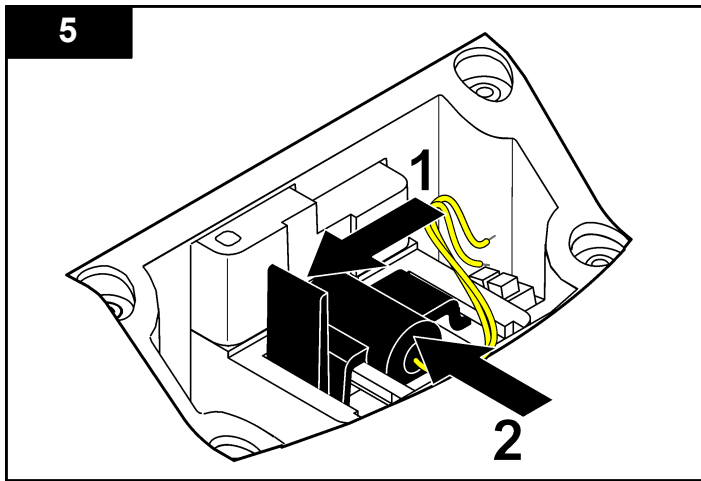
1. Déposer le capot des piles
2. Déposer les piles.
3. Installez 4 piles alcalines AA ou 4 piles rechargeables nickel métal hybride (NiMH) AA. Vérifier que les piles sont installées dans le bon sens.
4. Reposez le capot des piles.

## 8.5 Remplacement de la lampe

### ⚠ ATTENTION

Risque de brûlure Attendez que la lampe ait refroidi Tout contact avec la lampe encore chaude peut provoquer des brûlures.







## Section 9 Dépannage

Consulter le tableau ci-dessous des messages ou symptômes les plus courants, pour trouver les causes possibles et actions correctives.

Erreur/Avertissement	Description	Solution
<b>ferm. couvercle et app. sur Mesurer.</b>	Le couvercle est ouvert ou la détection du couvercle a échoué.	Assurez-vous que le couvercle est fermé pendant la mesure et refaites une mesure.
<b>Batterie faible !</b>	La pile est faible.	<ul style="list-style-type: none"> <li>Insérer des piles neuves.</li> <li>Branchez le module USB/alimentation si vous utilisez des batteries rechargeables.</li> </ul>
<b>Défaut conv. A/N !</b>	Erreur matérielle causant un échec de la mesure.	Répéter la mesure.
<b>Signal détect. trop faible !</b>	Lumière insuffisante sur le détecteur à 180°.	<ul style="list-style-type: none"> <li>Rechercher une obstruction sur le chemin optique.</li> <li>Vérifier la lampe.</li> </ul>
<b>Au-dessus de la plage !</b>	Turbidité trop élevée - sans doute causée par un étalonnage en mode RapidCal seulement.	<ul style="list-style-type: none"> <li>Étalonner la gamme supérieure.</li> <li>Diluez l'échantillon.</li> </ul>

Erreur/Avertissement	Description	Solution
<b>Inférieure à la plage!</b>	L'absorbance mesurée est en dessous de la plage d'étalonnage.	Répéter l'étalonnage.
<b>Vérifiez la lampe !</b>	Les signaux sont trop faibles sur le détecteur à 90° et 180°.	<b>2100Q</b> : La lampe est défectueuse. Changer la lampe (voir <a href="#">Remplacement de la lampe</a> à la page 46). <b>2100Qis</b> : Contacter le support technique.
<b>Température trop élevée ! Arrêtez l'instrument.</b>	La température a dépassé les limites de l'appareil de mesure (>60 °C ou >140 °F).	Éteindre l'appareil de mesure et le laisser refroidir.
<b>RST : valeur moyenne !</b>	Les solides se déposent trop lentement. Le mode de mesure ne convient pas pour cet échantillon.	Sélectionner le mode de mesure Normal ou Moyenne du signal.

Erreur/Avertissement	Description	Solution
<b>Niveau de confiance &lt; 95 %</b>	Le mode de mesure Rapidly Settling Turbidity n'a pas pu atteindre la plage de $\geq 95\%$ de confiance.	<ul style="list-style-type: none"> <li>• Retourner plusieurs fois l'échantillon pour disperser les solides. Recommencer la mesure.</li> <li>• Passer en mode de mesure Normal si l'échantillon est stable et ne comporte pas de solide susceptible de se déposer.</li> </ul>
<b>Valeur étalon hors plage. Insérez l'étalon et app. sur Mesurer</b>	Valeur d'étalon utilisée incorrecte pour la mesure.	Insérer l'étalon approprié et refaire la mesure.
<b>ID déjà utilisé. Entrez un nouvel ID</b>	L'identification d'opérateur ou d'échantillon n'est pas disponible car elle a déjà été attribuée.	Créer un nouvel ID.
<b>Erreur - Sécurité Configurez d'abord le mot de passe avant d'activer la sécurité</b>	Aucun mot de passe créé.	Créer un nouveau mot de passe.
<b>Entrez au moins un caractère.</b>	Le mot de passe doit contenir au moins un caractère.	Créer un mot de passe contenant au moins un caractère.

Erreur/Avertissement	Description	Solution
<b>Mot de passe incorrect. Réessayez.</b>	Un mot de passe erroné a été entré.	Entrer le mot de passe approprié.
<b>Veillez débrancher le câble USB de votre ordinateur.</b>	L'enregistrement de données ne répond pas pendant une connexion de l'appareil avec l'ordinateur.	Débrancher le câble USB de l'appareil de mesure et essayer de renvoyer les données.
<b>Mémoire module USB pleine. Suppr. des données et réessayez.</b>	Stockage de données plein.	<ol style="list-style-type: none"> <li>1. Brancher le module USB/alimentation à l'ordinateur.</li> <li>2. Télécharger les données enregistrées sur l'ordinateur.</li> <li>3. Supprimer le journal de données sur le module.</li> </ol>

Erreur/Avertissement	Description	Solution
<b>Echec de la suppression de la dernière mesure !</b>	Erreur dans le stockage de données.	Éteindre et rallumer l'appareil de mesure. Si le message d'erreur réapparaît, prenez contact avec le support technique.
<b>Echec de la suppression du journal des données !</b>		
<b>Impossible de lire l'ensemble de données !</b>		
<b>Enreg. données imposs. !</b>		
<b>Impossible d'enregistrer le journal de mesures !</b>		
<b>Impossible d'enregistrer le journal de vérif. d'étal. !</b>		
<b>Erreur lors de l'enreg. des données !</b>		
<b>Erreur de lecture des données !</b>		

## Tabla de contenidos

- |  |  |
|--|--|
| 1 <a href="#">Especificaciones</a><br>en la página 52                  | 6 <a href="#">Funcionamiento estándar</a><br>en la página 59 |
| 2 <a href="#">Información general</a><br>en la página 53               | 7 <a href="#">Funcionamiento avanzado</a><br>en la página 60 |
| 3 <a href="#">Instalación</a> en la página 56                          | 8 <a href="#">Mantenimiento</a> en la página 61              |
| 4 <a href="#">Interfaz del usuario y navegación</a><br>en la página 57 | 9 <a href="#">Solución de problemas</a><br>en la página 66   |
| 5 <a href="#">Puesta en marcha</a><br>en la página 58                  |  |

## Sección 1 Especificaciones

Las especificaciones están sujetas a cambios sin previo aviso.

Especificación	Detalles
Método de medición	Determinación turbidimétrica en ratio entre una señal primaria nefelométrica de luz dispersa (90°) y la señal de luz dispersa transmitida.
Normativa	<b>2100Q:</b> Cumple con el Método EPA 180.1
Fuente de luz	<b>2100Q:</b> Lámpara de filamento de tungsteno <b>2100Qis:</b> Diodo emisor de luz (LED)
Rango	0–1000 NTU (FNU)
Exactitud	±2% de la lectura más la luz difusa en el intervalo 0–1000 NTU (FNU)
Repetibilidad	± 1% de la lectura o 0,01 NTU, el que sea mayor
Resolución	0,01 NTU en el intervalo más bajo
Luz difusa	≤ 0,02 NTU (FNU)
Promedio de valores	Seleccionable en modo apagado o encendido

Especificación	Detalles
Detector	Fotodiodo de silicóna
Categoría de sobretensión	II
Altitud	2.000 m (6.562 pies) máximo
Modos de medición	Normal (Pulse para leer), Promedio de valores o Rapidly Settling Turbidity
Opciones de calibración	RapidCal de un solo paso para informes regulatorios de bajo nivel de 0–40 NTU (FNU) Calibración total de 0–1000 NTU (FNU) Calibración a grados de turbidez
Registrador de calibración	Registra las últimas 25 calibraciones exitosas
Registrador de verificación	Registra las últimas 250 verificaciones exitosas
Registrador de datos	500 registros
Requisitos de energía	Funciona con pilas: 6 VCC máximo (4 pilas NiMH AA de 1,2 V o 4 pilas alcalinas de 1,5 V AA) Fuente de alimentación externa: 100–240 VCA ± 10%; salida 5 W (9 VCC, 600 mA máximo)
Condiciones de funcionamiento	Temperatura: de 0 a 50 °C (de 32 a 122 °F) Humedad relativa: 0–90% a 30 °C, 0–80% a 40 °C, 0–70% a 50 °C, sin condensación
Condiciones de almacenamiento	–40 a 60 °C (–40 a 140 °F), sólo el instrumento
Interfaz	USB opcional

Especificación	Detalles
Muestra requerida	15 mL (0,5 oz.)
Cubetas de muestra	Cubetas redondas de 60 x 25 mm (2.36 x 1 pulg.) vidrio de borosilicato con capuchón roscado
Dimensiones	22.9 x 10.7 x 7.7 cm (9.0 x 4.2 x 3.0 pulg.)
Peso	530 g (1.17 lb) sin baterías 620 g (1,37 lb) con cuatro baterías alcalinas AA
Protección carcasa medidor	IP67 (tapa cerrada, baterías y compartimento del módulo excluidos)
Clase de protección	2100Q/is: Clase III Alimentación: Clase II
Grado de contaminación	2
Condiciones ambientales	Uso en interiores y exteriores
Certificación	Certificación CE
Garantía	1 año (UE: 2 años)

## Sección 2 Información general

En ningún caso el fabricante será responsable de ningún daño directo, indirecto, especial, accidental o resultante de un defecto u omisión en este manual. El fabricante se reserva el derecho a modificar este manual y los productos que describen en cualquier momento, sin aviso ni obligación. Las ediciones revisadas se encuentran en la página web del fabricante.

## 2.1 Información de seguridad

El fabricante no es responsable de ningún daño debido a un mal uso de este producto incluyendo, sin limitación, daños directos, fortuitos o circunstanciales y reclamaciones sobre los daños que no estén recogidos en la legislación vigente. El usuario es el único responsable de identificar los riesgos críticos y de instalar los mecanismos adecuados de protección de los procesos en caso de un posible mal funcionamiento del equipo.

Sírvase leer todo el manual antes de desembalar, instalar o trabajar con este equipo. Ponga atención a todas las advertencias y avisos de peligro. El no hacerlo puede provocar heridas graves al usuario o daños al equipo.

Asegúrese de que la protección proporcionada por el equipo no está dañada. No utilice ni instale este equipo de manera distinta a lo especificado en este manual.

## 2.2 Uso de la información relativa a riesgos

### ▲ PELIGRO

Indica una situación potencial o de riesgo inminente que, de no evitarse, provocará la muerte o lesiones graves.

### ▲ ADVERTENCIA

Indica una situación potencial o inminentemente peligrosa que, de no evitarse, podría provocar la muerte o lesiones graves.

### ▲ PRECAUCIÓN




Indica una situación potencialmente peligrosa que podría provocar una lesión menor o moderada.

### AVISO

Indica una situación que, si no se evita, puede provocar daños en el instrumento. Información que requiere especial énfasis.

## 2.3 Etiquetas de precaución

Lea todas las etiquetas y rótulos adheridos al instrumento. En caso contrario, podrían producirse heridas personales o daños en el instrumento. El símbolo que aparezca en el instrumento se comentará en el manual con una declaración de precaución.

	Este es un símbolo de alerta de seguridad. Obedezca todos los mensajes de seguridad que se muestran junto con este símbolo para evitar posibles lesiones. Si se encuentran sobre el instrumento, consulte el manual de instrucciones para obtener información de funcionamiento o seguridad.
	Este símbolo indica que hay riesgo de descarga eléctrica y/o electrocución.
	En Europa, el equipo eléctrico marcado con este símbolo no se debe desechar mediante el servicio de recogida de basura doméstica o pública. Devuelva los equipos viejos o que hayan alcanzado el término de su vida útil al fabricante para su eliminación sin cargo para el usuario.

## 2.4 Normativa y certificación

<b>▲ PRECAUCIÓN</b>
Este equipo no está diseñado para su uso en entornos residenciales y puede que no brinde la protección adecuada para la recepción de radio en dichos entornos.

### Reglamentación canadiense sobre equipos que provocan interferencia, ICES-003, Clase A

Registros de pruebas de control del fabricante.

Este aparato digital de clase A cumple con todos los requerimientos de las reglamentaciones canadienses para equipos que producen interferencias.

Cet appareil numérique de classe A répond à toutes les exigences de la réglementation canadienne sur les équipements provoquant des interférences.

## FCC Parte 15, Límites Clase "A"

Registros de pruebas de control del fabricante. Este dispositivo cumple con la Parte 15 de las normas de la FCC estadounidense. Su operación está sujeta a las siguientes dos condiciones:

1. El equipo no puede causar interferencias perjudiciales.
2. Este equipo debe aceptar cualquier interferencia recibida, incluyendo las interferencias que pueden causar un funcionamiento no deseado.

Los cambios o modificaciones a este equipo que no hayan sido aprobados por la parte responsable podrían anular el permiso del usuario para operar el equipo. Este equipo ha sido probado y encontrado que cumple con los límites para un dispositivo digital Clase A, de acuerdo con la Parte 15 de las Reglas FCC. Estos límites están diseñados para proporcionar una protección razonable contra las interferencias perjudiciales cuando el equipo está operando en un entorno comercial. Este equipo genera, utiliza y puede irradiar energía de radio frecuencia, y si no es instalado y utilizado de acuerdo con el manual de instrucciones, puede causar una interferencia dañina a las radio comunicaciones. La operación de este equipo en un área residencial es probable que produzca interferencias dañinas, en cuyo caso el usuario será requerido para corregir la interferencia bajo su propio cargo. Pueden utilizarse las siguientes técnicas para reducir los problemas de interferencia:

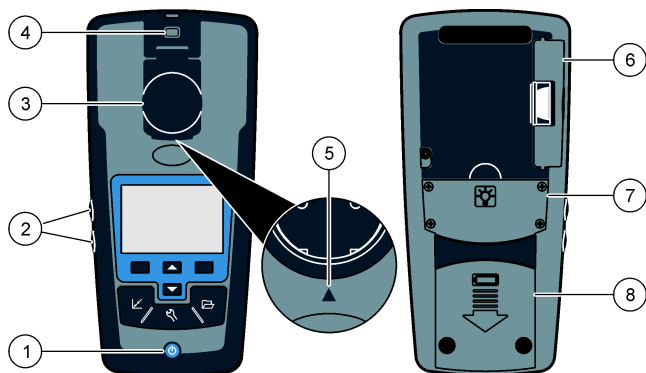
1. Desconecte el equipo de su fuente de alimentación para verificar si éste es o no la fuente de la interferencia.
2. Si el equipo está conectado a la misma toma eléctrica que el dispositivo que experimenta la interferencia, conecte el equipo a otra toma eléctrica.
3. Aleje el equipo del dispositivo que está recibiendo la interferencia.
4. Cambie la posición de la antena del dispositivo que recibe la interferencia.
5. Pruebe combinaciones de las opciones descritas.

## 2.5 Descripción general del producto

Los turbidímetros portátiles 2100Q y 2100Q/s miden turbidez de 0 a 1000 NTU (FNU). Principalmente para el uso de campo, el medidor

portátil funciona con cuatro baterías AA. Los datos se pueden guardar y transferir a una impresora, PC o dispositivo de almacenamiento USB.

**Figura 1 Descripción general del producto**

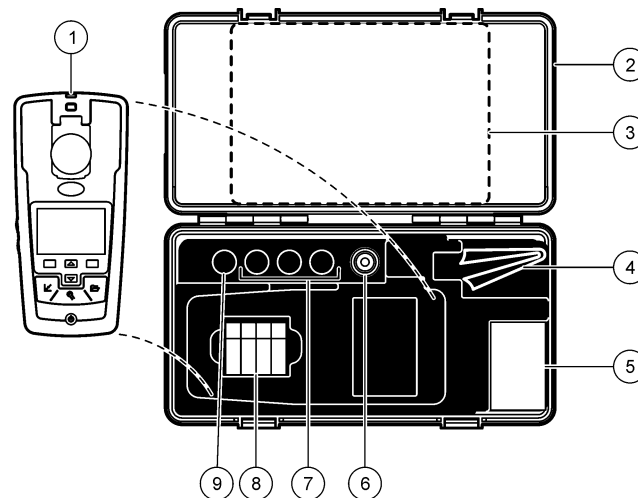


1 Modo de apagado o encendido	5 Flecha de alineación
2 Teclas de retroiluminación (+ y -)	6 Módulo
3 Soporte de la cubeta con tapa	7 Compartimento de la lámpara
4 Anexo para cordel de seguridad	8 Compartimento de las baterías

## 2.6 Componentes del producto

Consulte la [Figura 2](#) para asegurarse de que se han recibido todos los componentes. Si falta algún elemento, o alguno está dañado, póngase en contacto con el fabricante o con un representante de ventas inmediatamente.

**Figura 2 Componentes del 2100Q y 2100Qis**



1 Turbidímetro 2100Q o 2100Qis	6 Aceite de silicona
2 Caja de transporte	7 Estándares de calibración StabiCal para 20, 100 y 800 NTU
3 Manual del usuario y Guía de referencia rápida	8 Pilas alcalinas AA (paquete/4)
4 Paño de aceitar	9 Estándar de verificación StabiCal para 10 NTU
5 1de muestras de 1" (10 mL) con tapa (paquete/6)	

## Sección 3 Instalación

### ⚠ PRECAUCIÓN



Peligros diversos. Solo el personal cualificado debe realizar las tareas descritas en esta sección del documento.

### 3.1 Instalación de las pilas

#### ⚠ ADVERTENCIA



Peligro de explosión. Una batería caducada puede provocar la acumulación de gas hidrógeno en el interior del instrumento. Sustituya la batería antes de que caduque. No guarde el instrumento durante largos periodos de tiempo con la batería instalada.

#### ⚠ ADVERTENCIA

Posible peligro de fuego. Utilice solamente pilas alcalinas o de hidruro metálico de níquel (NiMH) en el medidor. El uso de otros tipos de pilas o una instalación incorrecta pueden provocar un incendio. Nunca mezcle tipos diferentes de pilas en el medidor.

#### AVISO

El compartimento de las pilas no es estanco al agua. Si se moja, retire y seque las pilas y seque cuidadosamente el interior del compartimento. Compruebe los contactos de las pilas y límpielos si es necesario.

#### AVISO

Quando use pilas de hidruro metálico de níquel (NiMH), el icono de pilas no le indicará una carga completa después de haber insertado pilas nuevas (las pilas de NiMH son de 1,2 V y las pilas alcalinas son de 1,5 V). Aunque el icono no indique carga completa, las pilas de NiMH de 2300 mAh alcanzarán el 90% de la vida útil del instrumento (antes de la recarga) en comparación con las pilas alcalinas nuevas.

#### AVISO

Para evitar posibles daños en el medidor debidos a fugas de las pilas, retírelas durante los períodos largos de inactividad.

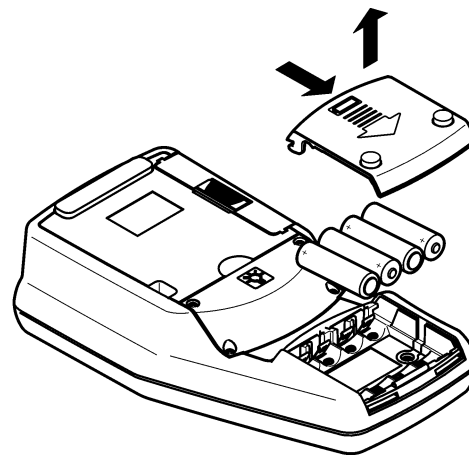
El medidor puede alimentarse con pilas alcalinas AA o con pilas recargables de NiMH. Para preservar la vida de las pilas, el medidor se desconectará después de 10 minutos de inactividad; la retroiluminación se desconecta después de 30 segundos. Este tiempo se puede cambiar desde el menú Gestión de energía.

**Nota:** Las pilas recargables sólo se recargarán con el módulo USB/de alimentación. Consulte la documentación del módulo para más información.

Para la instalación de las pilas consulte la [Figura 3](#).

1. Retire la tapa de las pilas.
2. Coloque 4 pilas alcalinas AA o 4 pilas de hidruro metálico de níquel (NiMH). Asegúrese de que las pilas se coloquen con la orientación correcta.
3. Vuelva a colocar la tapa.

Figura 3 Instalación de las pilas

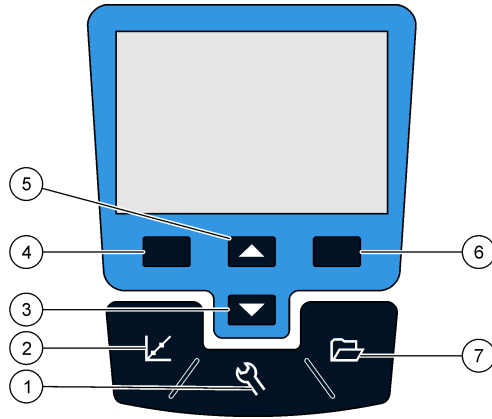




## Sección 4 Interfaz del usuario y navegación

### 4.1 Intefaz con el usuario

Figura 4 Descripción del teclado

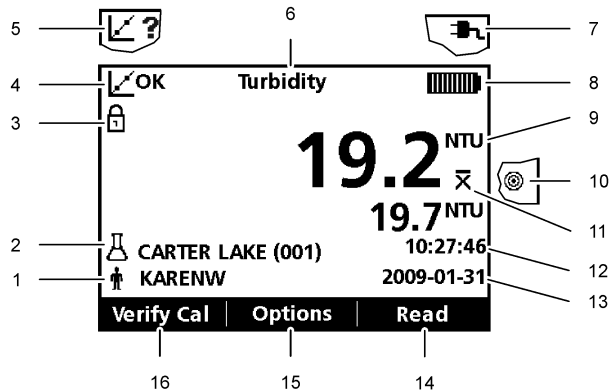


### 4.2 Descripción de la pantalla

La pantalla de medición muestra la turbidez, unidad, estado de calibración, fecha y hora, ID del usuario (si se configuró) y el ID de la muestra (si se configuró). Consulte la [Figura 5](#).

<b>1</b> Tecla de <b>CONFIGURACIONES</b> : selecciona las opciones del menú para configurar el medidor.	<b>5</b> Tecla <b>ARRIBA</b> : se desplaza por los menús, ingresa números y letras
<b>2</b> Tecla <b>CALIBRACIÓN</b> : muestra la pantalla de calibración, inicia la calibración, selecciona las opciones de calibración	<b>6</b> Tecla <b>DERECHA</b> (contextual): lee la muestra de turbidez, selecciona o confirma opciones, abre/salta a los submenús.
<b>3</b> Tecla <b>ABAJO</b> : se desplaza por los menús, ingresa números y letras	<b>7</b> Tecla <b>GESTIÓN DE DATOS</b> : visualiza, borra o transfiere los datos guardados
<b>4</b> Tecla <b>IZQUIERDA</b> (contextual): accede a la verificación de calibración, cancela o sale de la pantalla del menú actual y pasa a la	

Figura 5 Pantalla única



1	Identificación del usuario	9	NTU (Unidades nefelométricas de turbidez) o FNU (Unidades de turbidez de formazina)
2	Identificación de la muestra	10	Modo de medición: Rapidly Settling Turbidity (icono de blanco)
3	Indicador de estabilidad o bloqueo de pantalla	11	Modo de medición: Promedio de señal (icono de X-barra)
4	Indicador del estado de calibración (Calibración OK= correcta)	12	Tiempo
5	Indicador del estado de calibración (Calibración ?= incorrecta)	13	Fecha
6	Parámetro	14	Medición (contextual: OK, Seleccionar)
7	Icono de alimentación de CA	15	Opciones (contextual)
8	Icono de batería	16	Calibración de verificación

### 4.3 Navegación

El medidor contiene un menú de Configuraciones, menú de Opciones de medición, menú de Opciones de calibración y menú de Opciones de verificación de calibración para modificar varias opciones. Utilice las teclas **ARRIBA** y **ABAJO** para resaltar las diferentes opciones. Pulse la tecla **DERECHA** para seleccionar una opción. Existen dos formas de cambiar las opciones:


1. Seleccione una opción de la lista: use las teclas **ARRIBA** y **ABAJO** para seleccionar una opción. Si se muestran casillas de verificación, se puede seleccionar más de una opción. Pulse la tecla **IZQUIERDA** debajo de Seleccionar.

*Nota: Para deseleccionar las casillas de verificación, pulse la tecla **IZQUIERDA** debajo de Deseleccionar.*

2. Introduzca un valor de opción usando las teclas de flechas: Pulse las teclas **ARRIBA** y **ABAJO** para introducir o cambiar un valor.
3. Pulse la tecla **DERECHA** para avanzar al siguiente espacio.
4. Pulse la tecla **DERECHA** en **OK** para aceptar el valor.

## Sección 5 Puesta en marcha

### 5.1 Encienda y apague el medidor

 Pulse la tecla **ON/OFF** para encender o apagar el medidor. Si el medidor no se enciende, asegúrese de que las pilas o el módulo estén correctamente instalados o de que la fuente de alimentación de CA está debidamente conectada a una toma eléctrica.

*Nota: También se puede usar la opción de apagado automático para apagar el medidor. En el sitio web del fabricante encontrará información adicional.*

## 5.2 Cambio del idioma

Existen tres opciones para establecer el idioma:

- El idioma de visualización se selecciona cuando se enciende el medidor por primera vez.
- El idioma de visualización se selecciona cuando se presiona y mantiene la tecla de encendido.
- El idioma puede modificarse desde el menú de Configuraciones.

1. Seleccione un idioma de la lista. Confirme con **OK**.
2. Pulse **Hecho** cuando la actualización se haya completado.

## 5.3 Cambio de la fecha y la hora

La fecha y la hora se pueden cambiar desde el menú Fecha y hora.

1. Pulse la tecla **CONFIGURACIÓN** y seleccione Fecha y hora.
2. Actualización de la información de fecha y hora:

Opción	Descripción
<b>Formato</b>	Seleccione un formato para la fecha y la hora: aaaa-mm-dd 24h aaaa-mm-dd 12h dd-mm-aaaa 24h dd-mm-aaaa 12h mm/dd/aaaa 24h mm/dd/aaaa 12h
<b>Fecha</b>	Introduzca la fecha actual
<b>Hora</b>	Introduzca la hora actual

La fecha y hora actuales se mostrarán en la pantalla.

Después de configurar la fecha y hora, el medidor está listo para tomar la medición.

## Sección 6 Funcionamiento estándar

### 6.1 Uso de un ID de la muestra

La etiqueta ID de la muestra se usa para asociar mediciones con ubicaciones de muestras en particular. Si se asocian, los datos guardados incluirán este ID.

1. Seleccione **ID de la muestra** en el menú de Configuraciones.
2. Seleccione, cree o borre el ID de la muestra:

Opción	Descripción
<b>ID actual</b>	Seleccione un ID de una lista. El ID actual se asociará con los datos de la muestra hasta que se seleccione un ID diferente.
<b>Crear nuevo ID de la muestra</b>	Introducir un nombre para una ID de muestra nueva
<b>Borrar ID de muestra</b>	Borrar un ID de muestra existente

### 6.2 Utilización de un ID de usuario

La etiqueta de ID de usuario asocia mediciones de muestras con un usuario individual. Todos los datos almacenados incluirán este ID.

1. Seleccione **ID del usuario** en el menú de Configuraciones.
2. Seleccione, cree o borre un ID del usuario:

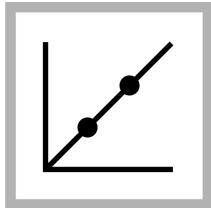
Opción	Descripción
<b>ID actual</b>	Seleccione un ID de una lista. El ID actual se asociará con los datos de la muestra hasta que se seleccione un ID diferente.

Opción	Descripción
<b>Crear nuevo ID de usuario</b>	Introducir un nombre para un ID de operador nuevo (pueden ingresarse 10 nombres como máximo)
<b>Borrar ID de usuario</b>	Eliminar un ID de usuario existente

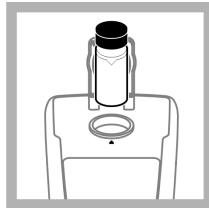
## Sección 7 Funcionamiento avanzado

### 7.1 Calibración del turbidímetro con los estándares StabiCal

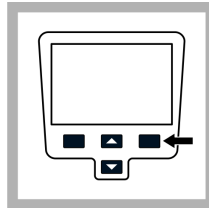
**Nota:** Para una mayor exactitud, utilice la misma cubeta de muestra o cuatro cubetas de muestras emparejadas para todas las lecturas durante la calibración. Inserte la cubeta de muestra en su compartimento de manera que la marca de orientación o el diamante coincida con la marca de orientación en relieve en la parte frontal del compartimento de la cubeta.



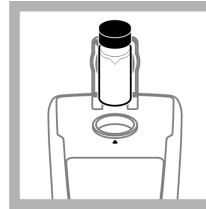
1. Pulse la tecla **CALIBRACIÓN** para entrar al modo de Calibración. Siga las instrucciones en la pantalla.  
**Nota:** Invierta suavemente cada estándar antes de insertarlo.



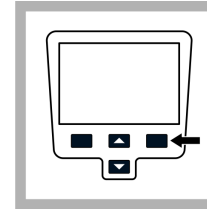
2. Inserte el Estándar StabiCal para 20 NTU y coloque la tapa.  
**Nota:** El estándar a ser insertado aparece en el display en un recuadro.



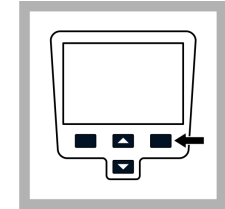
3. Pulse **Medición**. La pantalla muestra Estabilizando y luego muestra el resultado.



4. Repita el Paso 2 y 3 con el Estándar StabiCal para 100 NTU y 800 NTU.  
**Nota:** Pulse **Hecho** para completar una calibración de 2 puntos.



5. Pulse **Hecho** para revisar los detalles de la calibración.





6. Pulse **Guardar** para guardar los resultados. Después de terminar la calibración, el medidor automáticamente pasa al modo Verificar cal. En el sitio web del fabricante encontrará información adicional.

### 7.2 Modos de medición

1. Pulse las teclas **ARRIBA** o **ABAJO** para ingresar al Menú de opciones de medición
2. Seleccione el Modo Medición para seleccionar una de las siguientes opciones:

Opción	Descripción
<b>Normal (configuración por defecto)</b>	El modo normal lee y promedia tres mediciones. El resultado se muestra después de la medición.

Opción	Descripción
<b>Promedio de valores</b> 	<p>El modo Promedio de valores compensa las fluctuaciones en la medición causadas por el desplazamiento de las partículas de la muestra en la trayectoria de la luz.</p> <p>El icono de X-barra se muestra en la pantalla cuando está encendido el promedio de valores.</p> <p>El modo Promedio de valores mide 12 veces y comienza a mostrar el promedio después de tres mediciones. El resultado final es el promedio de 12 mediciones.</p>
<b>Rapidly Settling Turbidity (RST)</b> 	<p>El modo Rapidly Settling Turbidity (RST) calcula y actualiza en forma continua la medición de la turbidez de la muestra con una fiabilidad del 95% basada en la tendencia acumulada de los valores medidos en tiempo real.</p> <p>El modo RST se usa mejor en muestras que decantan rápidamente y que cambian continuamente su valor. La medición se basa en una muestra correctamente preparada que es homogénea al comenzar la medición. Se aplica mejor a muestras mayores a 20 NTU. La muestra debe mezclarse cuidadosamente, invirtiéndola inmediatamente antes de insertarla en el medidor.</p> <p>El icono de blanco aparece en la pantalla cuando el modo Rapidly Settling Turbidity está activado.</p> <p>El modo Rapidly Settling Turbidity lee y calcula cinco mediciones mientras muestra resultados intermedios.</p>

## Sección 8 Mantenimiento

### ⚠ PRECAUCIÓN



Peligros diversos. Solo el personal cualificado debe realizar las tareas descritas en esta sección del documento.

## 8.1 Limpie el medidor.

El medidor está diseñado para no necesitar mantenimiento y no requiere una limpieza regular para su normal funcionamiento. Las superficies exteriores se pueden limpiar conforme se precise.

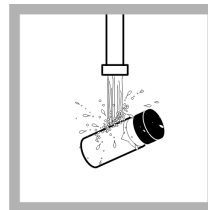
**Nota:** No limpie el medidor con solventes para evitar dañar el material.

1. Limpie el medidor con un paño libre de pelusas y polvo, seco o levemente humedecido. También puede utilizarse una solución de jabón neutro para la contaminación liposoluble.

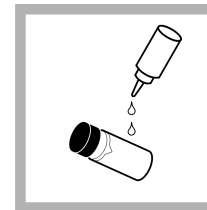
## 8.2 Aplicar aceite de silicona a una cubeta de muestra

Las cubetas de muestra y las tapas deben estar perfectamente limpias y sin rayas. Aplique una fina película de aceite de silicona en la parte exterior de la cubeta de muestras para cubrir pequeñas imperfecciones y rayas que podrían generar difusión de la luz.

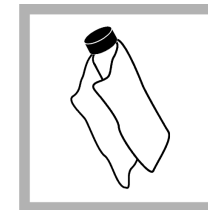
**Nota:** Utilice sólo el aceite de silicona suministrado. Este aceite de silicona tiene el mismo índice refractivo que el vidrio de la cubetas de muestras.



1. Limpie la parte interna y externa de las cubetas y tapas lavándolas con un detergente de laboratorio para limpieza de vidrio. Luego enjuague varias veces con agua destilada o desmineralizada.



2. Aplique una gota de aceite de silicona desde abajo hacia arriba de la cubeta.



3. Utilice el paño lubricante suministrado para esparcir el aceite en forma uniforme. Limpie el exceso de manera que sólo quede una fina película de aceite. Asegúrese de que la cubeta de muestras esté casi seca, con muy poco o nada de aceite visible.

**Nota:** Conserve el paño lubricante en una bolsa de plástico para mantenerlo limpio.

### 8.3 Guarde las cubetas de muestra

#### AVISO

No seque las cubetas de muestra al aire.

**Nota:** Guarde siempre las cubetas de muestra con las tapas colocadas para evitar que las cubetas se sequen.

1. Llene las cubetas de muestras con agua destilada o desmineralizada.
2. Tape y guarde las cubetas.
3. Seque la parte externa de las cubetas de muestras con un paño suave.

### 8.4 Sustitución de la batería

#### ⚠ ADVERTENCIA



Peligro de explosión. Una batería caducada puede provocar la acumulación de gas hidrógeno en el interior del instrumento. Sustituya la batería antes de que caduque. No guarde el instrumento durante largos periodos de tiempo con la batería instalada.

#### ⚠ ADVERTENCIA

Posible peligro de fuego. Utilice solamente pilas alcalinas o de hidruro metálico de níquel (NiMH) en el medidor. El uso de otros tipos de pilas o una instalación incorrecta pueden provocar un incendio. Nunca mezcle tipos diferentes de pilas en el medidor.

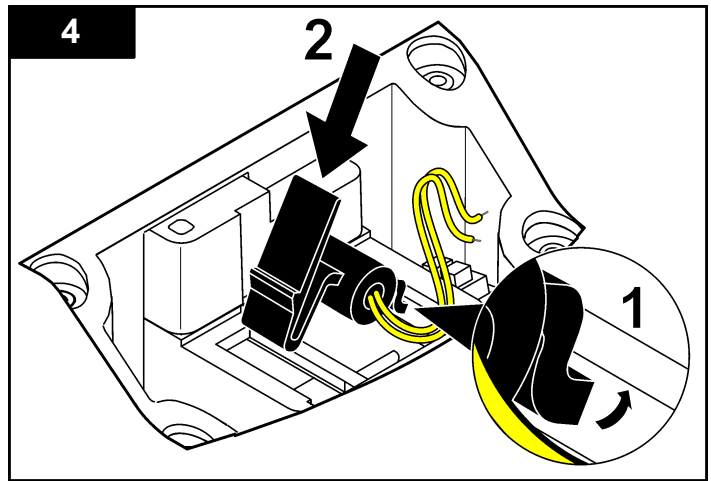
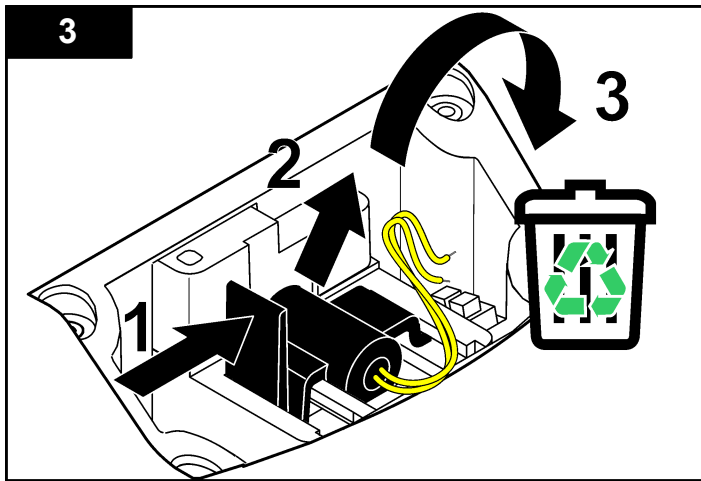
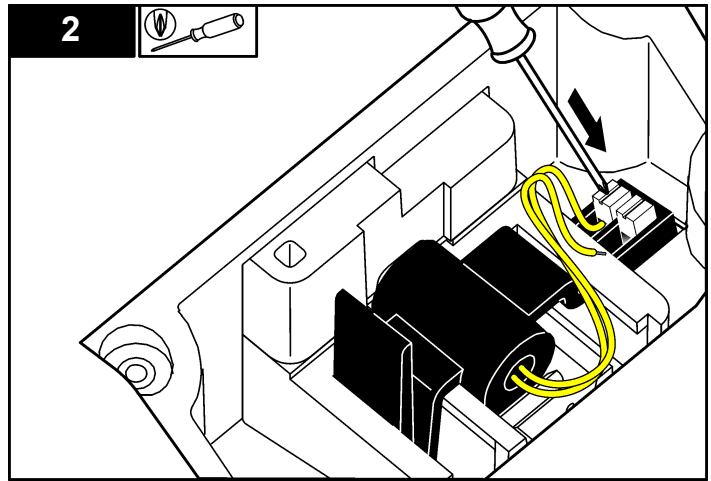
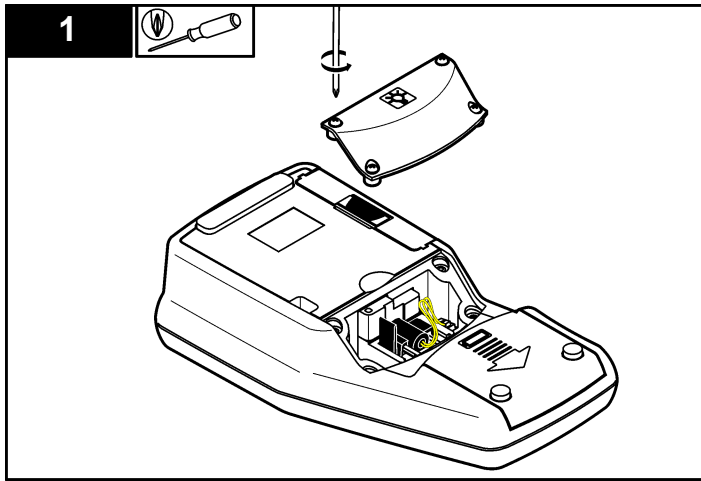
Para la instalación de las pilas consulte la [Instalación de las pilas](#) en la página 56.

1. Retire la tapa de las pilas.
2. Extraiga las baterías usadas.
3. Coloque 4 pilas alcalinas AA o 4 pilas de hidruro metálico de níquel (NiMH). Asegúrese de que las pilas se coloquen con la orientación correcta.
4. Vuelva a colocar la tapa.

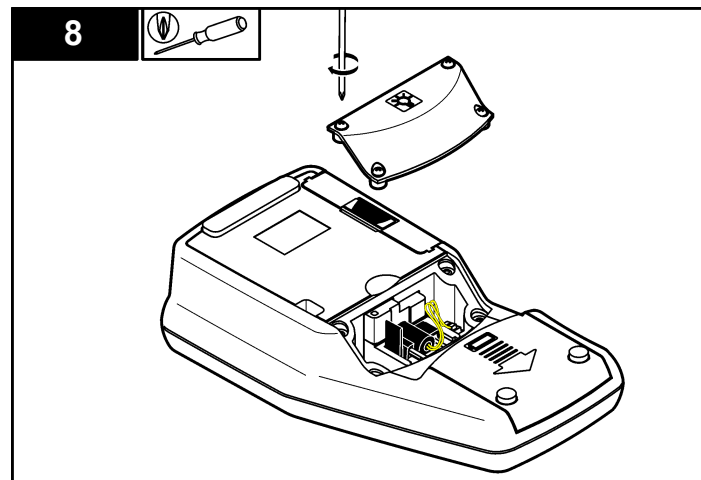
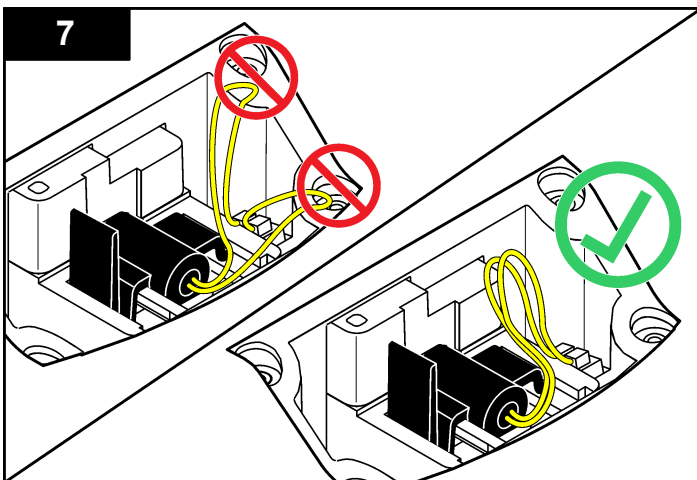
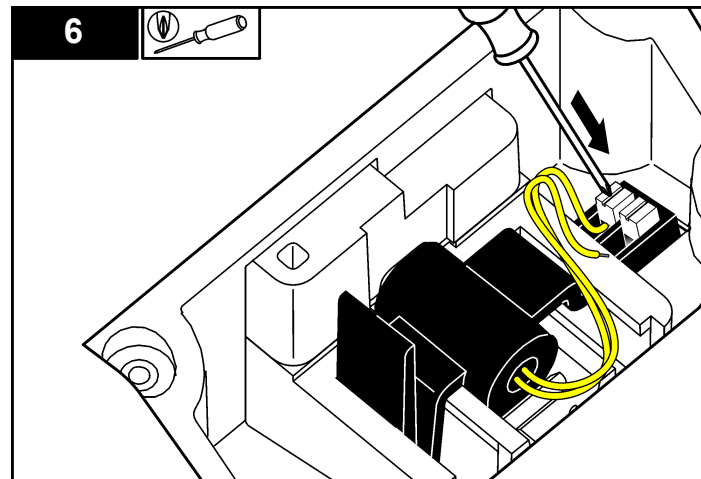
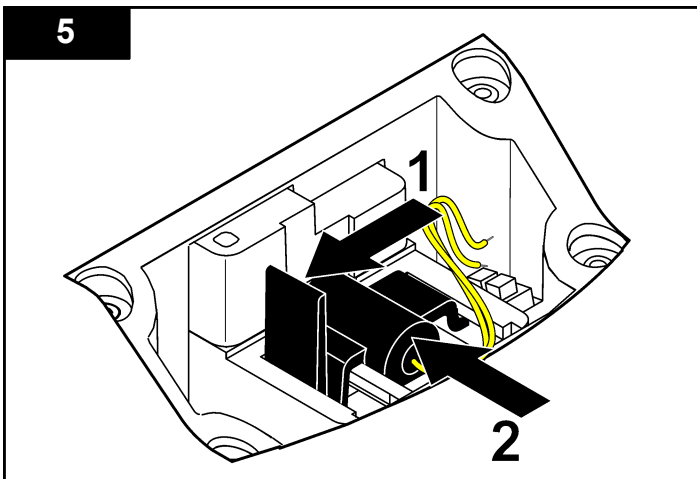
### 8.5 Cambie la lámpara

#### ⚠ PRECAUCIÓN

Peligro de quemadura. Espere hasta que la lámpara se enfríe. El contacto con la lámpara caliente puede provocar quemaduras.







## Sección 9 Solución de problemas

Consulte la siguiente tabla para ver los mensajes o síntomas de los problemas comunes, las posibles causas y acciones correctivas.

Error/advertencia	Descripción	Solución
<b>Coloque la tapa y pulse Medición</b>	La tapa está abierta o falló la detección de la tapa.	Asegúrese de que la tapa esté cerrada durante la medición y realice la medición nuevamente.
<b>¡Batería baja!</b>	Las pilas están bajas.	<ul style="list-style-type: none"> <li>• Inserte nuevas pilas.</li> <li>• Conecte el USB/módulo de alimentación si se usan pilas recargables.</li> </ul>
<b>¡Fallo de ADC!</b>	Un error de hardware causa que la medición falle.	Repita la medición.
<b>¡Señal detector muy baja!</b>	Luz insuficiente en el detector de 180°.	<ul style="list-style-type: none"> <li>• Verifique que nada obstruya la trayectoria de la luz.</li> <li>• Revise la lámpara.</li> </ul>
<b>¡Rango superado!</b>	Turbidez demasiado alta, probablemente debido a calibración con RapidCal solamente.	<ul style="list-style-type: none"> <li>• Calibre el rango superior.</li> <li>• Diluya la muestra.</li> </ul>
<b>¡Rango no alcanzado!</b>	La absorción medida está por debajo del rango de calibración.	Repita la calibración

Error/advertencia	Descripción	Solución
<b>Compruebe la lámpara.</b>	Las señales son muy bajas en el detector de 90° y 180°.	<p><b>2100Q:</b> lámpara defectuosa. Reemplace la lámpara (consulte <a href="#">Cambie la lámpara</a> en la página 63)</p> <p><b>2100Qis:</b> Comuníquese con la asistencia técnica.</p>
<b>¡Temperatura demasiado alta! Apague el instrumento.</b>	La temperatura ha excedido los límites del medidor (>60 °C o >140 °F).	Apague el medidor y deje que se enfríe.
<b>RST: ¡Valor medio!</b>	Los sólidos se decantan muy lentamente. El modo de medición no es adecuado para esta muestra.	Seleccione el modo de medición Normal o Promedio de valores.
<b>La fiabilidad es &lt;95%</b>	El modo de medición Rapidly Settling Turbidity no alcanzó el rango de fiabilidad de $\geq 95\%$ .	<ul style="list-style-type: none"> <li>• Invierta la muestra varias veces para que los sólidos se ubiquen. Repita la medición.</li> <li>• Cambie al modo de medición Normal si la muestra está estable y no tiene sólidos que precipitan.</li> </ul>
<b>Valor estándar fuera de rango. Inserte el estándar y pulse Medición</b>	Se usó un valor estándar incorrecto para la medición.	Inserte el estándar adecuado y repita la medición.

Error/advertencia	Descripción	Solución
<b>ID en uso. Introduzca nuevo ID</b>	El ID del usuario y de la muestra no están disponibles porque ya han sido asignados.	Crear un nuevo ID del usuario
<b>Error - Seguridad. Establezca la contraseña antes de activar la seguridad</b>	No se ha creado contraseña.	Crear una nueva contraseña.
<b>Introduzca al menos un caracter.</b>	La contraseña debe contener al menos un caracter.	Crear una contraseña con al menos un caracter.
<b>Contraseña no OK. Pruebe de nuevo.</b>	Se ingresó una contraseña incorrecta.	Ingrese la contraseña apropiada.
<b>Desconecte el cable del USB del ordenador.</b>	El almacenamiento de datos no responde mientras está conectado al medidor y al ordenador.	Desconecte el cable del USB del medidor y trate de enviar los datos nuevamente.
<b>La memoria USB está llena. Borre datos e inténtelo de nuevo.</b>	El almacenamiento de datos está lleno.	<ol style="list-style-type: none"> <li>1. Conecte el USB/módulo de alimentación al ordenador.</li> <li>2. Descargar los datos almacenados al ordenador.</li> <li>3. Borrar Registro de datos del módulo.</li> </ol>

Error/advertencia	Descripción	Solución
<b>Fallo al borrar la última medición</b>	Error en almacenamiento de datos.	Apague y encienda el medidor. Si el mensaje de error continúa, póngase en contacto con la asistencia técnica.
<b>Fallo al borrar registro de datos</b>		
<b>No se puede leer el conjunto de datos</b>		
<b>No se pueden guardar datos</b>		
<b>No se puede guardar en el registro de medición</b>		
<b>No se puede guardar en Verificar registro de calibración</b>		
<b>¡Error al guardar los datos!</b>		
<b>¡Error al leer los datos!</b>		

## Sommario

- 1 [Specifiche tecniche](#) a pagina 68
- 2 [Informazioni generali](#) a pagina 69
- 3 [Installazione](#) a pagina 72
- 4 [Interfaccia utente e navigazione](#) a pagina 73
- 5 [Avvio](#) a pagina 75
- 6 [Funzionamento standard](#) a pagina 76
- 7 [Operazioni avanzate](#) a pagina 76
- 8 [Manutenzione](#) a pagina 78
- 9 [Risoluzione dei problemi](#) a pagina 81

## Sezione 1 Specifiche tecniche

I dati tecnici sono soggetti a modifiche senza preavviso.

Dato tecnico	Dettagli
Metodo di misurazione	Determinazione torbidometrica del rapporto mediante l'utilizzo di un segnale di dispersione luminosa nefelometrico primario (90°) al segnale di dispersione luminosa trasmesso.
Normative	<b>2100Q:</b> conforme al metodo 180.1 di EPA
Sorgente luminosa	<b>2100Q:</b> lampada in filamenti di tungsteno <b>2100Qis:</b> LED (Light-emitting diode)
Campo scala	0–1000 NTU (FNU)
Accuratezza	± 2% del valore di lettura nell'intervallo 0–1000 NTU (FNU)
Riproducibilità	± 1% della lettura o 0.01 NTU (FNU), quale che sia il maggiore
Risoluzione	0.01 NTU nell'intervallo più basso
Luce dispersa	≤ 0.02 NTU (FNU)

Dato tecnico	Dettagli
Calcolo del valore medio del segnale	Attivabile o disattivabile
Rivelatore	Fotodiodo in silicone
Categoria di sovratensione	II
Altitudine	2000 m (6562 piedi) massimo
Modalità di lettura	Normal (Push to Read), Signal Averaging o Rapidly Settling Turbidity
Opzioni di calibrazione	Calibrazione a punto singolo con RapidCal per Low-Level Regulatory Reporting da 0–40 NTU (FNU) Calibrazione completa da 0-1000 NTU (FNU) Calibrazione per gradi di torbidità
Registratore calibrazione	Registra le ultime 25 calibrazioni riuscite
Registratore verifica	Registra le ultime 250 verifiche corrette
Registrazione dei dati	500 misure
Alimentazione	Alimentazione a batteria: massimo 6 VDC (4 batterie NiMH 1.2 V AA o 4 batterie alcaline 1.5 V AA) Alimentazione esterna: 100–240 VAC ± 10%; uscita 5 W (9 VDC, 600 mA massimo)
Condizioni di funzionamento	Temperatura: 0 - 50°C (32 - 122 °F) Umidità di servizio: 0–90% a 30 °C, 0–80% a 40 °C, 0–70% a 50 °C, non condensante
Condizioni di stoccaggio	da -40 a 60 °C (-40 - 140 °F), solo strumento

Dato tecnico	Dettagli
Interfaccia	USB opzionale
Campione richiesto	15 ml (0.5 once.)
Celle campione	Celle rotonde 60 x 25 mm (2.36 x 1 poll.) vetro borosilicato con tappi avvitabili
Dimensioni	22.9 x 10.7 x 7.7 cm (9.0 x 4.2 x 3.0")
Peso	530 g (1.17 lb) senza batterie 620 g (1.37 lb) con quattro batterie alcaline AA
Classificazione custodia misuratore	IP67 (coperchio chiuso, batteria e vano modulo esclusi)
Classe di protezione	2100Q/is: Classe III Alimentazione: Classe II
Grado di inquinamento	2
Condizioni ambientali	Uso interno ed esterno
Certificazione	Certificazione CE
Garanzia	1 anno (UE: 2 anni)

## Sezione 2 Informazioni generali

In nessun caso, il produttore potrà essere ritenuto responsabile per danni diretti, indiretti o accidentali per qualsiasi difetto o omissione relativa al presente manuale. Il produttore si riserva il diritto di apportare eventuali modifiche al presente manuale e ai prodotti ivi descritti in qualsiasi momento senza alcuna notifica o obbligo preventivi. Le edizioni riviste sono presenti nel sito Web del produttore.

## 2.1 Informazioni sulla sicurezza

Il produttore non sarà da ritenersi responsabile in caso di danni causati dall'applicazione errata o dall'uso errato di questo prodotto inclusi, a puro titolo esemplificativo e non limitativo, i danni diretti, incidentali e consequenziali; inoltre declina qualsiasi responsabilità per tali danni entro i limiti previsti dalle leggi vigenti. La responsabilità relativa all'identificazione dei rischi critici dell'applicazione e all'installazione di meccanismi appropriati per proteggere le attività in caso di eventuale malfunzionamento dell'apparecchiatura compete unicamente all'utilizzatore.

Prima di disimballare, installare o utilizzare l'apparecchio, si prega di leggere l'intero manuale. Si raccomanda di leggere con attenzione e rispettare le istruzioni riguardanti note di pericolosità. La non osservanza di tali indicazioni potrebbe comportare lesioni gravi all'operatore o danni all'apparecchio.

Assicurarsi che i dispositivi di sicurezza insiti nell'apparecchio siano efficaci all'atto della messa in servizio e durante l'utilizzo dello stesso. Non utilizzare o installare questa apparecchiatura in modo diverso da quanto specificato nel presente manuale.

## 2.2 Indicazioni e significato dei segnali di pericolo

### **▲ PERICOLO**

Indica una situazione di pericolo potenziale o imminente che, se non evitata, causa lesioni gravi anche mortali.

### **▲ AVVERTENZA**

Indica una situazione di pericolo potenziale o imminente che, se non evitata, potrebbe comportare lesioni gravi, anche mortali.

### **▲ ATTENZIONE**




Indica una situazione di pericolo potenziale che potrebbe comportare lesioni lievi o moderate.

## AVVISO

Indica una situazione che, se non evitata, può danneggiare lo strumento. Informazioni che richiedono particolare attenzione da parte dell'utente.

### 2.3 Etichette precauzionali

Leggere sempre tutte le indicazioni e le targhette di segnalazione applicate all'apparecchio. La mancata osservanza delle stesse può causare lesioni personali o danni allo strumento. Un simbolo sullo strumento è indicato nel manuale unitamente a una frase di avvertenza.

	Questo è il simbolo di allarme sicurezza. Seguire tutti i messaggi di sicurezza dopo questo simbolo per evitare potenziali lesioni. Se sullo strumento, fare riferimento al manuale delle istruzioni per il funzionamento e/o informazioni sulla sicurezza.
	Questo simbolo indica un rischio di scosse elettriche e/o elettrocuzione.
	Le apparecchiature elettriche contrassegnate con questo simbolo non possono essere smaltite attraverso sistemi domestici o pubblici europei. Restituire le vecchie apparecchiature al produttore il quale si occuperà gratuitamente del loro smaltimento.

### 2.4 Conformità e certificazione

#### ⚠ ATTENZIONE

Questa apparecchiatura non è destinata all'uso in ambienti residenziali e potrebbe non fornire un'adeguata protezione alla ricezione radio in tali ambienti.

#### **Normativa canadese sulle apparecchiature che causano interferenze radio ICES-003, Classe A:**

Le registrazioni dei test di supporto sono disponibili presso il produttore.

Questo apparecchio digitale di Classe A soddisfa tutti i requisiti di cui agli Ordinamenti canadesi sulle apparecchiature causanti interferenze.

Cet appareil numérique de classe A répond à toutes les exigences de la réglementation canadienne sur les équipements provoquant des interférences.

#### **FCC Parte 15, Limiti Classe "A"**

Le registrazioni dei test di supporto sono disponibili presso il produttore. Il presente dispositivo è conforme alla Parte 15 della normativa FCC. Il funzionamento è soggetto alle seguenti condizioni:

1. L'apparecchiatura potrebbe non causare interferenze dannose.
2. L'apparecchiatura deve tollerare tutte le interferenze subite, comprese quelle causate da funzionamenti inopportuni.

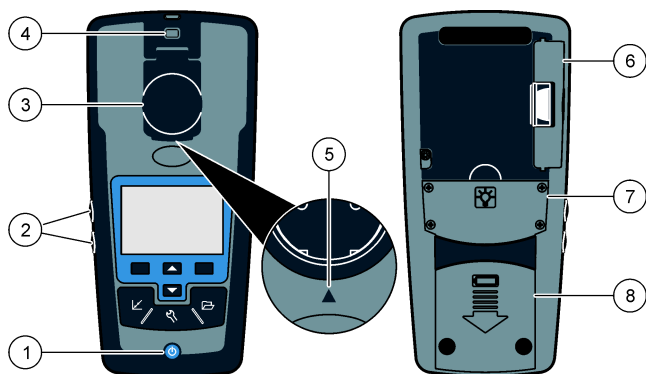
Modifiche o cambiamenti eseguiti su questa unità senza previa approvazione da parte dell'ente responsabile della conformità potrebbero annullare il diritto di utilizzare l'apparecchiatura. Questo apparecchio è stato testato ed è conforme con i limiti per un dispositivo digitale di Classe A, secondo la Parte 15 delle normative FCC. I suddetti limiti sono stati fissati in modo da garantire una protezione adeguata nei confronti di interferenze nocive se si utilizza l'apparecchiatura in ambiti commerciali. L'apparecchiatura produce, utilizza e può irradiare energia a radiofrequenza e, se non installata e utilizzata in accordo a quanto riportato nel manuale delle istruzioni, potrebbe causare interferenze dannose per le radiocomunicazioni. L'utilizzo di questa apparecchiatura in una zona residenziale potrebbe causare interferenze dannose. In questo caso, l'utente sarà tenuto a risolvere il problema a proprie spese. Per ridurre i problemi di interferenza, è possibile utilizzare le seguenti tecniche:

1. Scollegare l'apparecchiatura dalla sua fonte di alimentazione per verificare che sia la fonte dell'interferenza o meno.
2. Se l'apparecchiatura è collegata alla stessa uscita del dispositivo in cui si verifica l'interferenza, collegarla ad un'uscita differente.
3. Allontanare l'apparecchiatura dal dispositivo che riceve l'interferenza.
4. Riposizionare l'antenna ricevente del dispositivo che riceve l'interferenza.
5. Provare una combinazione dei suggerimenti sopra riportati.

## 2.5 Descrizione del prodotto

I torbidometri 2100Q e 2100Q<sup>is</sup> misurano la torbidità da 0 a 1000 NTU (FNU). Soprattutto per l'uso in loco, il misuratore portatile funziona con l'uso di quattro batterie AA. I dati possono essere memorizzati e trasferiti su una stampante, un computer o un dispositivo di archiviazione USB.

**Figura 1** Descrizione del prodotto

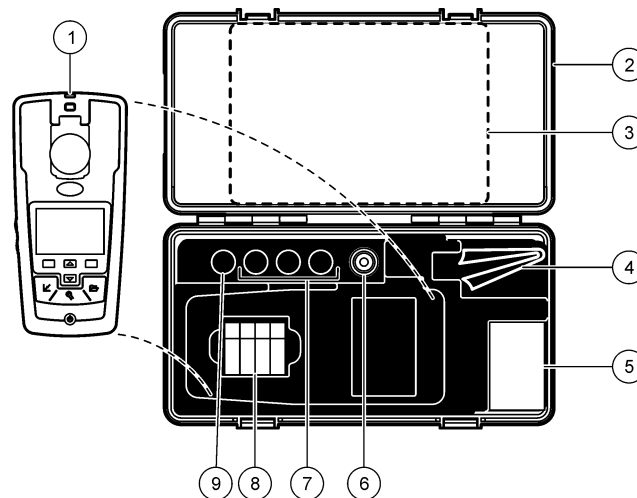


1 Accensione o spegnimento	5 Freccia di allineamento
2 Tasti controllo luce (+ e -)	6 Modulo
3 Porta celle campione con coperchio	7 Vano luce
4 Aggancio per cordoncino	8 Vano batteria

## 2.6 Componenti del prodotto

Fare riferimento a [Figura 2](#) per accertarsi che tutti i componenti siano stati ricevuti. Se qualche articolo risulta mancante o danneggiato, contattare tempestivamente il produttore o un rappresentante di vendita.

**Figura 2** Componenti 2100Q e 2100Q<sup>is</sup>



1 Torbidometro 2100Q o 2100Q <sup>is</sup>	6 Olio silconico
2 Custodia di trasporto	7 Standard di calibrazione StablCal NTU 20, 100 e 800
3 Manuale utente e Guida di riferimento rapida	8 Batterie alcaline AA (pk/4)
4 Panno lubrificante	9 Standard di verifica NTU 10 StablCal
5 1" cella campione (10 ml) con coperchio (pk/6)	

## Sezione 3 Installazione

### ⚠ ATTENZIONE



Pericoli multipli. Gli interventi descritti in questa sezione del documento devono essere eseguiti solo da personale qualificato.

### 3.1 Installare la batteria

#### ⚠ AVVERTENZA



Pericolo di esplosione. Una batteria scaduta potrebbe generare gas di idrogeno all'interno dello strumento. Sostituire la batteria prima della scadenza Non stoccare lo strumento per lunghi periodi di tempo con la batteria installata.

#### ⚠ AVVERTENZA

Potenziale rischio di incendio. Utilizzare solo batterie alcaline o all'idruro di nichel (NiMH) nel misuratore. L'uso di altri tipi di batterie o l'installazione non corretta può provocare un incendio. Non utilizzare batterie di tipi diversi nel misuratore.

### AVVISO

Il vano delle batterie non è impermeabile. Se il vano delle batterie diventa umido, rimuovere e asciugare a fondo l'interno del vano. Verificare che i contatti della batteria non siano corrosi e pulirli se necessario.

### AVVISO

Quando si utilizzano batterie all'idruro di nichel (NiMH), l'icona della batteria non indicherà una carica piena dopo l'inserimento di batterie già cariche (le batterie NiMH sono di 1,2 V rispetto alle batterie alcaline di 1,5 V). Sebbene l'icona non indichi una carica completa, le batterie NiMH 2300 mAh raggiungeranno il 90% della durata di funzionamento dello strumento (prima della ricarica) rispetto alle batterie alcaline.

### AVVISO

Per evitare di arrecare danni allo strumento dovuti a perdite delle batterie, rimuovere le batterie prima di interrompere l'utilizzo per un periodo di tempo prolungato.

Lo strumento può essere alimentato con batterie alcaline AA o NiMH ricaricabili. Per preservare la durata della batteria, il misuratore si spegnerà dopo 10 minuti di inattività, la luce di sfondo si disattiva dopo 30 secondi. Questo periodo di tempo può essere modificato nel menu Gestione alimentazione.

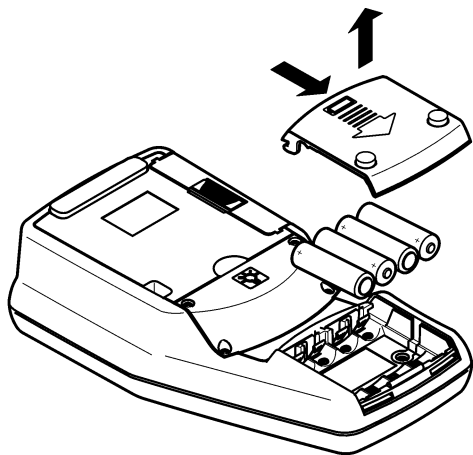
**Nota:** Le batterie potranno essere ricaricate soltanto con il modulo USB/alimentazione. Per ulteriori informazioni, fare riferimento alla documentazione sul modulo.

Per l'installazione della batteria, fare riferimento alla [Figura 3](#).

1. Rimuovere il coperchio della batteria.
2. Installare 4 batterie alcaline AA o 4 batterie AA all'idruro di nichel (NiMH). Accertarsi che le batterie siano installate con l'orientamento corretto.
3. Riposizionare il coperchio della batteria.



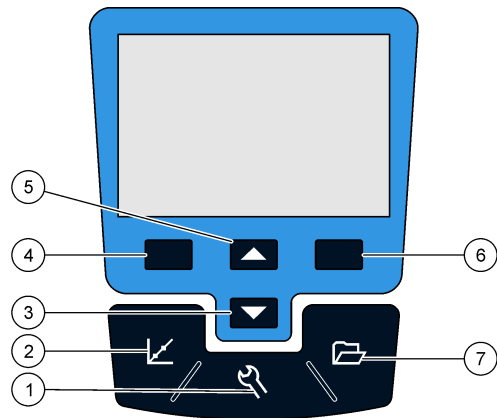
Figura 3 Installazione della batteria



## Sezione 4 Interfaccia utente e navigazione

### 4.1 Interfaccia utente

Figura 4 Descrizione tastiera

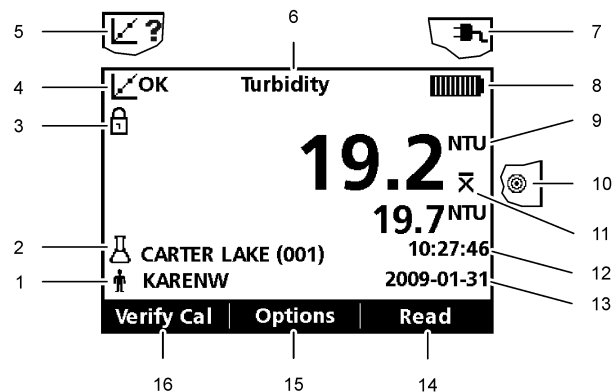


<p><b>1</b> Tasto <b>IMPOSTAZIONI</b>: selezionare le opzioni di menu per impostare il misuratore</p>	<p><b>5</b> Tasto <b>UP (SU)</b>: per scorrere lungo i menu e immettere numeri e lettere</p>
<p><b>2</b> Tasto <b>CALIBRATION</b>: mostra la schermata di calibrazione per l'avvio della calibrazione e la selezione delle relative opzioni</p>	<p><b>6</b> Tasto <b>RIGHT (DESTRA)</b> (contestuale): per leggere il campione di torbidità, selezionare o confermare le opzioni, aprire/passare ai menu secondari</p>
<p><b>3</b> Tasto <b>DOWN (GIÙ)</b>: per scorrere lungo i menu e immettere numeri e lettere</p>	<p><b>7</b> Tasto <b>DATA MANAGEMENT (GESTIONE DATI)</b>: per visualizzare, eliminare o trasferire i dati memorizzati</p>
<p><b>4</b> Tasto <b>LEFT (SINISTRA)</b> (contestuale): per accedere alla verifica di calibrazione, annullare o uscire dalla schermata del menu corrente e passare alla schermata del</p>	<p style="text-align: right;"><i>Italiano</i> <b>73</b></p>

## 4.2 Descrizione del display

La schermata di misurazione visualizza torbidità, unità, stato della calibrazione, data e ora, ID operatore (se impostato) e ID campione (se impostato). Fare riferimento alla [Figura 5](#).

Figura 5 Display a schermata singola



1	Identificazione operatore	9	NTU (Nephelometric Turbidity Unit, unità di torbidità nefelometrica) o FNU (Formazin Turbidity Unit, unità di torbidità formazione)
2	Identificazione campione	10	Modalità lettura: definizione rapida della torbidità (icona Destinazione)
3	Indicatore di stabilità o di blocco del display	11	Modalità lettura: media di segnale (icona barra X)
4	Indicatore di stato della calibrazione (Calibrazione OK = pass)	12	Time (Tempo)
5	Indicatore di stato della calibrazione (Calibrazione ? = fail)	13	Data
6	Titolo parametro	14	Letture (contestuale: OK; Seleziona)
7	Icona alimentazione CA	15	Opzioni (contestuale)
8	Icona batteria	16	Verifica calibrazione

## 4.3 Navigazione

Il misuratore contiene un menu Impostazioni, un menu Opzioni lettura, un menu Opzioni calibrazione e un menu Opzioni verifica calibrazione per passare a varie opzioni. Utilizzare i tasti **UP** e **DOWN** per evidenziare le diverse opzioni. Premere il tasto **RIGHT** (DESTRA) per selezionare un'opzione. Sono disponibili due modalità per cambiare le opzioni:

1. Selezionare un'opzione da un elenco: usare i tasti **UP** e **DOWN** per selezionare un'opzione. Se vengono visualizzate caselle di controllo, è possibile selezionare più opzioni. Premere il tasto **LEFT** (SINISTRO) in Selezione.

*Nota:* Per deselezionare le caselle di controllo, premere il tasto **LEFT** (SINISTRO) in Deselezione.

2. Selezionare un valore di opzione utilizzando i tasti con le frecce: Premere i tasti **UP** e **DOWN** per immettere o modificare un valore.
3. Premere il tasto **RIGHT** (DESTRO) per passare allo spazio successivo.
4. Premere il tasto **RIGHT** (DESTRO) in **OK** per accettare il valore.

## Sezione 5 Avvio

### 5.1 Accendere e spegnere il dispositivo di misura



Premere i tasti **ON/OFF** per accendere o spegnere il misuratore. Se il dispositivo di misurazione non si attiva, accertarsi che le batterie, o il modulo, siano installate correttamente o che l'alimentatore CA sia collegato adeguatamente a una presa elettrica.

*Nota:* Si può usare anche l'opzione di spegnimento automatico per disattivare lo strumento. Ulteriori informazioni sono disponibili sul sito Web del produttore.

### 5.2 Cambiare la lingua

Per impostare la lingua, sono disponibili tre opzioni:

- La lingua di visualizzazione viene selezionata quando lo strumento viene acceso per la prima volta.
- La lingua del display viene selezionata tenendo premuto il tasto di accensione.
- La lingua può essere modificata dal menu Impostazioni.

1. Selezionare una lingua dall'elenco. Confermare toccando **OK**.
2. Premere **Fine** al termine dell'aggiornamento.

### 5.3 Cambiamento della data e dell'ora

La data e l'ora possono essere modificate dal menu Data e Ora.

1. Premere il tasto **SETTINGS** (IMPOSTAZIONI) e selezionare Data e Ora.
2. Aggiornare le informazioni sull'ora e sulla data:

Opzione	Descrizione
<b>Formato</b>	Selezionare uno dei formati per la data e l'ora: aaaa-mm-gg 24h aaaa-mm-gg 12h gg-mm-aaaa 24h gg-mm-aaaa 12h mm/gg/aaaa 24h mm/gg/aaaa 12h
<b>Data</b>	Inserire la data corrente
<b>Ora</b>	Specificare l'ora corrente

La data e l'ora corrente verrà mostrata sul display.

Dopo l'impostazione della data e dell'ora, il misuratore è pronto per effettuare una lettura.

## Sezione 6 Funzionamento standard

### 6.1 Utilizzare un ID campione

Il tag ID campione viene utilizzato per associare le letture del campione a una specifica locazione campione. Se assegnati, i dati memorizzati includeranno questo ID.

1. Selezionare **ID campione** nel menu Impostazioni.
2. Selezionare, creare o eliminare un ID campione:

Opzione	Descrizione
<b>ID corrente</b>	Selezionare un ID da un elenco. L'ID corrente verrà associato ai dati campione fino a quando verrà selezionato un ID diverso.
<b>Creazione di un nuovo ID campione</b>	Specificare un nome per il nuovo ID campione.
<b>Eliminazione di un ID campione</b>	Eliminazione di un ID campione esistente.

### 6.2 Utilizzo di un ID operatore

Il tag dell'ID operatore associa le letture del campione a un singolo operatore. Tutti i dati memorizzati includeranno questo ID.

1. Selezionare **ID operatore** nel menu Impostazioni.
2. Selezionare, creare o eliminare un ID operatore:

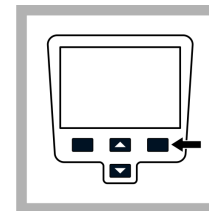
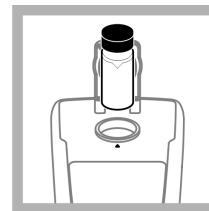
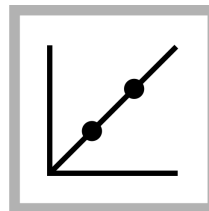
Opzione	Descrizione
<b>ID corrente</b>	Selezionare un ID da un elenco. L'ID corrente verrà associato ai dati campione fino a quando verrà selezionato un ID diverso.

Opzione	Descrizione
<b>Creazione di un nuovo ID operatore</b>	Immettere un nome per un nuovo ID operatore (max 10 nomi).
<b>Eliminazione dell'ID operatore</b>	Eliminazione di un ID operatore esistente.

## Sezione 7 Operazioni avanzate

### 7.1 Calibrazione del torbidimetro con gli standard StabiCal

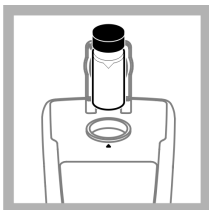
**Nota:** Per garantire la miglior accuratezza possibile, utilizzare sempre la stessa cella campione oppure quattro celle campione abbinata per tutte le letture effettuate durante la calibrazione. Inserire la cella campione nell'apposito vano dello strumento in modo che la losanga ovvero la tacca di orientamento sia allineata con la tacca di orientamento in rilievo presente sul lato frontale del vano della cella.



1. Premere il tasto **CALIBRAZIONE** per immettere la modalità di calibrazione. Seguire le istruzioni sul display.  
**Nota:** Invertire con attenzione ciascuno standard prima di inserire lo standard.

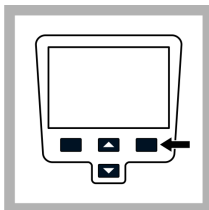
2. Inserire lo standard StabiCal 20 NTU e chiudere il coperchio.  
**Nota:** Lo standard da inserire deve essere bordato.

3. Selezionare **Leggi**. Il display visualizza Stabilizzazione, quindi mostra il risultato.

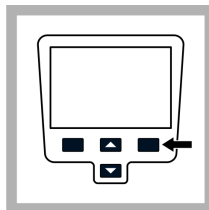


4. Ripetere la Fase 2 e 3 con lo standard StabCal 100 NTU e 800 NTU.

**Nota:** Premere **Fine** per completare la calibrazione a 2 punti.



5. Premere **Fine** per rivedere i dettagli sulla calibrazione.



6. Premere **Memorizza** per salvare i risultati. Quando una calibrazione è completa, il misuratore passa automaticamente in modalità Verifica Cal. Ulteriori informazioni sono disponibili sul sito Web del produttore.

## 7.2 Modalità di lettura

1. Premere il tasto **UP** o **DOWN** per accedere al menu Opzioni lettura.
2. Selezionare la Modalità lettura per selezionare una delle seguenti opzioni:

Opzione	Descrizione
<b>Normale (impostazione predefinita)</b>	La modalità normale rileva ed effettua la media di tre letture. Il risultato viene mostrato dopo la lettura.

Opzione	Descrizione
---------	-------------

**Signal Average**  
  
(Media segnale)

La modalità calcolo del valore medio del segnale compensa le oscillazioni della lettura causate dalla deriva delle particelle di campione nel percorso della luce.

Display

La modalità calcolo del valore medio del segnale misura 12 volte e avvia per mostrare la media dopo tre letture. Il risultato finale è la media di tutte e 12 le letture.

**Rapidly Settling Turbidity (RST)**



La modalità RST (Rapidly Settling Turbidity) calcola e aggiorna di continuo la lettura della torbidità di un campione con una confidenza del 95%, basata sui trend cumulativo dei valori misurati in tempo reale.

La modalità RST viene utilizzata al meglio sui campioni che definiscono rapidamente e continuamente le modifiche nel valore. La lettura è basata su un campione preparato correttamente ed omogeneo all'inizio della lettura. La migliore applicazione è su campioni superiori a 20 NTU. Il campione deve essere miscelato in modo approfondito mediante inversione prima di essere inserito nel misuratore.

L'icona di destinazione viene mostrata sul display quando la Definizione rapida torbidità è attiva.

La Definizione rapida torbidità legge e calcola cinque letture mentre visualizza i risultati immediati.

## Sezione 8 Manutenzione

### ⚠ ATTENZIONE



Pericoli multipli. Gli interventi descritti in questa sezione del documento devono essere eseguiti solo da personale qualificato.

### 8.1 Pulire il misuratore

Lo strumento è progettato appositamente per non richiedere alcuna manutenzione o pulizia per il normale funzionamento. Le superfici esterne dello strumento possono essere pulite, se necessario.

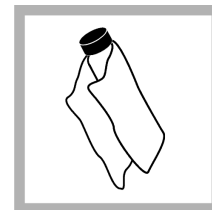
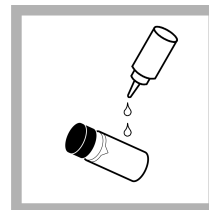
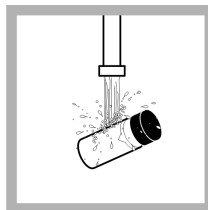
**Nota:** Non pulire il misuratore con solventi per evitare di danneggiare il materiale.

1. Pulire il misuratore con un panno antipolvere e antipelucchi o leggermente umido. È possibile utilizzare anche una soluzione con sapone per la contaminazione liposolubile.

### 8.2 Applicare dell'olio silconico ad una cella campione

Le celle campione e i tappi devono essere puliti a fondo e privi di graffi significativi. Applicare uno strato sottile di olio silconico sulla parte esterna delle celle campione per coprire imperfezioni e graffi di piccola entità che potrebbero contribuire a dispersioni di luce.

**Nota:** Utilizzare esclusivamente l'olio silconico fornito. L'olio silconico presenta lo stesso indice di rifrazione del vetro della cella campione.



1. Pulire la parte esterna e la parte interna delle celle e dei tappi lavandole con un detergente per la pulizia di vetri da laboratorio. Successivamente, sciacquare diverse volte con acqua distillata o deionizzata.
2. Applicare una piccola quantità di olio silconico dalla parte superiore alla base della cella.
3. Utilizzare il panno per l'oleazione fornito per distribuire l'olio uniformemente. Rimuovere gli eccessi in modo da lasciare un sottile strato. Verificare che la cella campione sia quasi asciutta e rivestita con una quantità minima o non visibile di olio.  
**Nota:** Conservare il panno per l'oleazione in un sacchetto di plastica per mantenerlo pulito.

### 8.3 Conservare le celle campione

#### AVVISO

Non asciugare le celle campione all'aria.

**Nota:** Conservare sempre le celle del campione con i tappi per evitare che si seccino.

1. Riempire le celle campione con acqua distillata o deionizzata.
2. Tappare e conservare le celle campione.
3. Asciugare la parte esterna delle celle campione con un panno morbido.

## 8.4 Sostituzione della batteria

### ⚠ AVVERTENZA



Pericolo di esplosione. Una batteria scaduta potrebbe generare gas di idrogeno all'interno dello strumento. Sostituire la batteria prima della scadenza. Non stoccare lo strumento per lunghi periodi di tempo con la batteria installata.

### ⚠ AVVERTENZA

Poteniale rischio di incendio. Utilizzare solo batterie alcaline o all'idruro di nichel (NiMH) nel misuratore. L'uso di altri tipi di batterie o l'installazione non corretta può provocare un incendio. Non utilizzare batterie di tipi diversi nel misuratore.

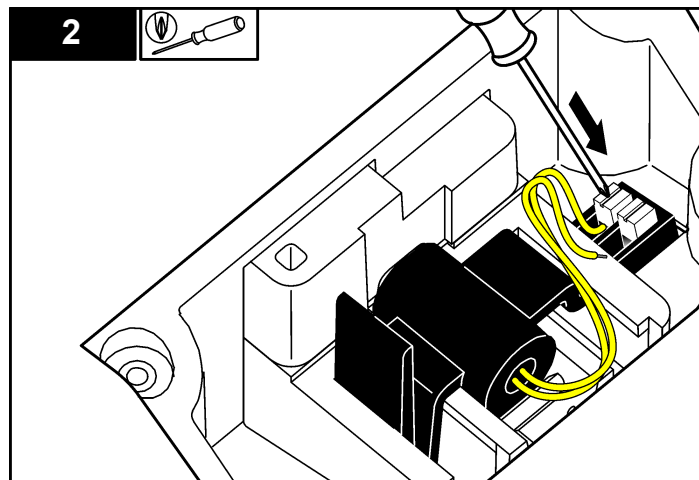
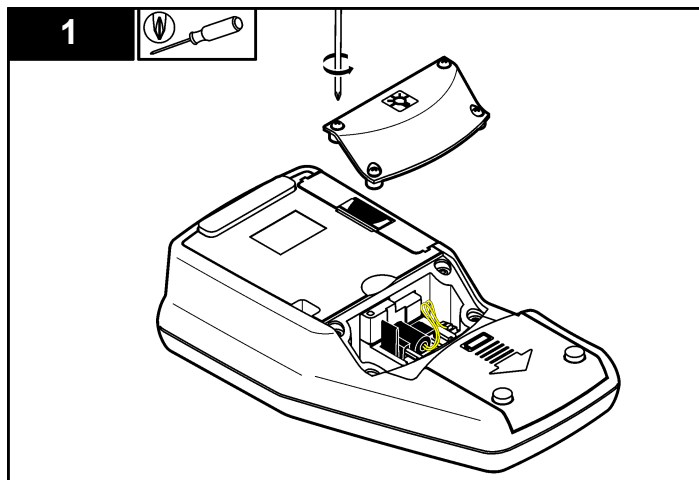
Per la sostituzione della batteria, fare riferimento a [Installare la batteria](#) a pagina 72.

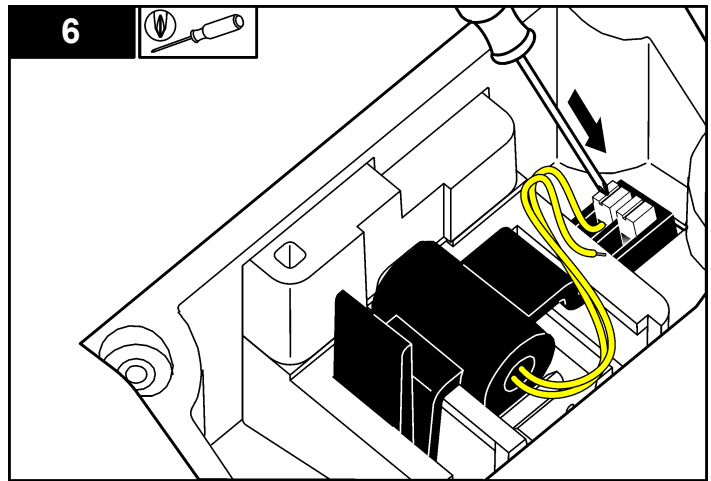
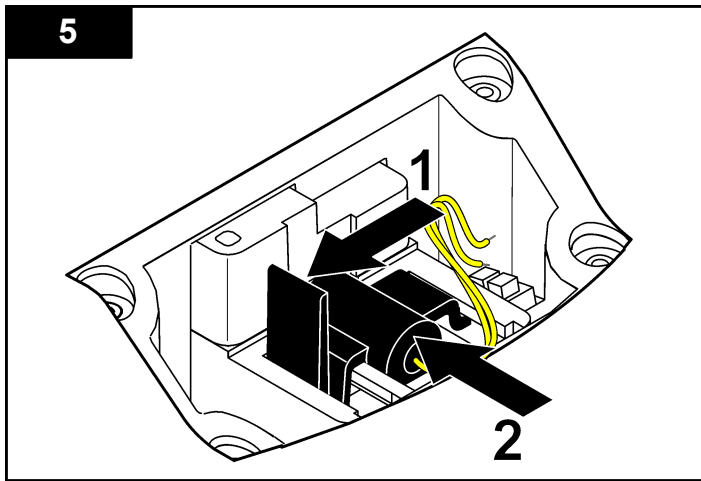
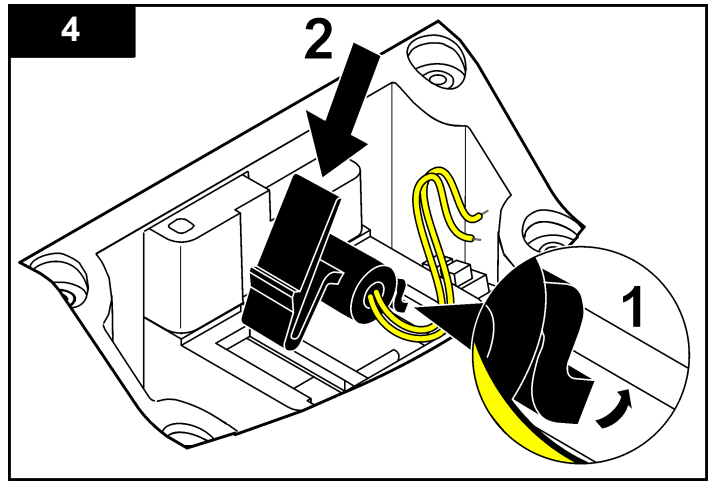
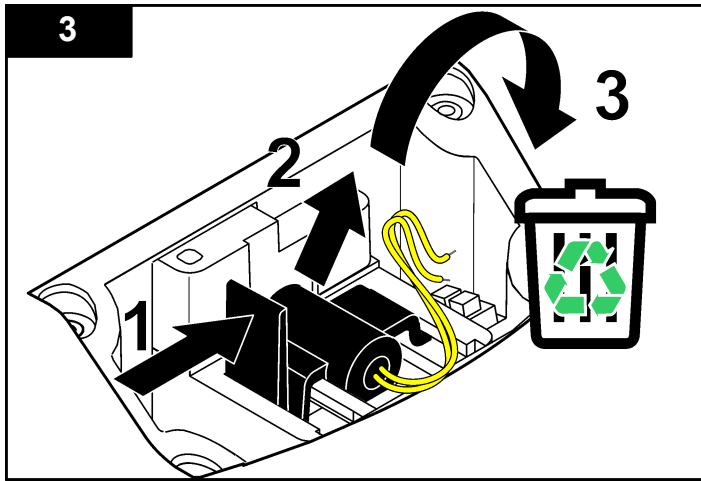
1. Rimuovere il coperchio della batteria.
2. Rimuovere le batterie.
3. Installare 4 batterie alcaline AA o 4 batterie AA all'idruro di nichel (NiMH). Accertarsi che le batterie siano installate con l'orientamento corretto.
4. Riposizionare il coperchio della batteria.

## 8.5 Sostituire la lampada

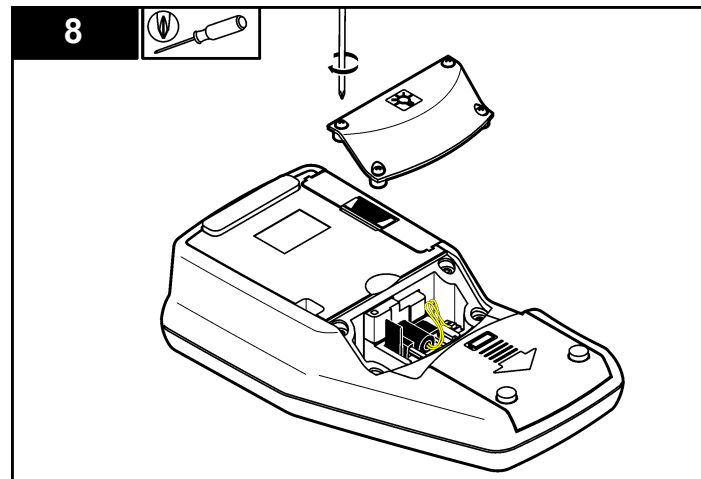
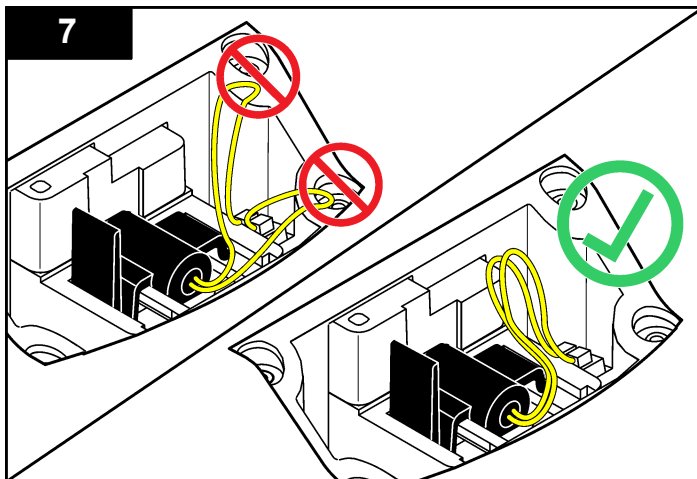
### ⚠ ATTENZIONE

Pericolo di ustioni. Attendere che la lampada si raffreddi. Toccare la lampada calda può provocare ustioni.









## Sezione 9 Risoluzione dei problemi

Consultare la seguente tabella per messaggi o sintomi relativi a problemi comuni, possibili cause e azioni correttive.

Errore/Avviso	Descrizione	Soluzione
<b>Chiudere il coperchio e premere Leggi.</b>	Il coperchio si apre oppure il rilevamento del coperchi fallisce.	Verificare che il coperchio sia chiuso durante la lettura e la rilettura.
<b>Batteria bassa</b>	Il livello della batteria è basso.	<ul style="list-style-type: none"> <li>Inserire nuove batterie</li> <li>Collegare il modulo USB/alimentazione se si utilizzano le batterie ricaricabili</li> </ul>

Errore/Avviso	Descrizione	Soluzione
<b>Guasto ADC</b>	Lettura non riuscita a causa di un errore hardware.	Ripetere la lettura.
<b>Segnale rilevatore troppo basso</b>	Luce insufficiente nel rilevatore da 180°.	<ul style="list-style-type: none"> <li>Verificare che il percorso della luce non sia ostruito.</li> <li>Controllare la lampada.</li> </ul>
<b>Sovraccarico.</b>	Torbidità troppo alta, causata, probabilmente, dalla calibrazione con RapidCal solo.	<ul style="list-style-type: none"> <li>Calibrare l'intervallo superiore.</li> <li>Diluire il campione.</li> </ul>

Errore/Avviso	Descrizione	Soluzione
<b>Sottogamma!</b>	L'assorbenza misurata è inferiore all'intervallo di calibrazione.	Ripetere la calibrazione
<b>Controllare la lampada.</b>	Segnali troppo bassi nel rilevatore da 90° e 180°.	<b>2100Q:</b> Lampada difettosa. Cambiare la lampada (fare riferimento a <a href="#">Sostituire la lampada</a> a pagina 79). <b>2100Qis:</b> Contattare l'assistenza tecnica.
<b>Temperatura troppo alta. Spegnerlo lo strumento.</b>	La temperatura ha superato i limiti del misuratore (>60 °C o >140 °F).	Spegnere il misuratore e lasciarlo raffreddare.
<b>RST: Valore medio.</b>	I solidi vengono definiti troppo lentamente. La modalità di lettura non è disponibile per questo campione.	Selezionare la modalità di lettura Normal (Normale) o Signal Average (Media segnale).

Errore/Avviso	Descrizione	Soluzione
<b>Il livello di affidabilità è &lt; 95%</b>	La modalità di lettura Rapidly Settling Turbidity (Impostazione rapida torbidità) non ha soddisfatto l'intervallo $\geq 95\%$ di affidabilità.	<ul style="list-style-type: none"> <li>• Invertire il campione varie volte in modo che i solidi vengano allocati. Ripetere di nuovo la lettura.</li> <li>• Passare alla modalità di lettura Normal (Normale) se il campione è stabile non presenta solidi impostabili.</li> </ul>
<b>Valore di salinità fuori dall'intervallo. Inserire lo standard e premere Leggi</b>	Il valore standard utilizzato per la lettura non è corretto.	Inserire lo standard appropriato e leggere di nuovo.
<b>ID già in uso. Immettere un nuovo ID</b>	L'ID operatore o campione non è disponibile poiché è già stato assegnato.	Creare un nuovo ID.
<b>Errore - Sicurezza Impostare la password prima di attivare la sicurezza</b>	Nessuna password creata.	Creare una nuova password.
<b>Immettere almeno un carattere.</b>	La password deve contenere almeno un carattere.	Creare una password di almeno un carattere.
<b>Password errata. Riprovare.</b>	È stata inserita una password errata.	Immettere la password appropriata.

Errore/Avviso	Descrizione	Soluzione
<b>Disconnettere il cavo USB dal computer.</b>	L'archivio dati non risponde durante la connessione al misuratore e al computer.	Disconnettere il cavo USB dal misuratore e provare e reinviare i dati.
<b>Memoria del modulo USB piena. Eliminare i dati e riprovare.</b>	Archivio dati pieno.	<ol style="list-style-type: none"> <li>1. Connettere il modulo USB/alimentazione al computer.</li> <li>2. Scaricare i dati memorizzati nel computer.</li> <li>3. Eliminare il registro dati nel modulo.</li> </ol>

Errore/Avviso	Descrizione	Soluzione
<b>Eliminazione dell'ultima lettura fallita.</b>	Errore nella memorizzazione dati.	Accendere e spegnere il misuratore. Se il messaggio di errore viene mostrato ancora, contattare l'assistenza tecnica.
<b>Eliminazione registro dati fallita.</b>		
<b>Impossibile leggere la serie di dati.</b>		
<b>Impossibile memorizzare i dati.</b>		
<b>Impossibile memorizzare il Registro letture.</b>		
<b>Impossibile memorizzare il Registro Verifica cal.</b>		
<b>Errore di memorizzazione dati.</b>		
<b>Errore di lettura dati.</b>		

## Índice

- 1 [Especificações](#) na página 84
- 2 [Informação geral](#) na página 85
- 3 [Instalação](#) na página 88
- 4 [Interface do utilizador e navegação](#) na página 89
- 5 [Arranque](#) na página 90
- 6 [Operação padrão](#) na página 91
- 7 [Operação avançada](#) na página 91
- 8 [Manutenção](#) na página 93
- 9 [Resolução de problemas](#) na página 98

## Secção 1 Especificações

As especificações podem ser alteradas sem aviso prévio.

Especificação	Detalhes
Método de medição	Determinação turbidimétrica através da relação entre um sinal nefelométrico primário de luz dispersada (90°) e o sinal da luz dispersada transmitida
Regulamentação	<b>2100Q:</b> de acordo com o Método EPA 180.1
Fonte de luz	<b>2100Q:</b> Lâmpada de filamento de tungsténio <b>2100Qis:</b> Light-emitting diode (LED)
Gama	0–1000 NTU (FNU)
Precisão	±2% da leitura, mais luz difusa de 0-1000 NTU (FNU)
Repetibilidade	±1% da leitura ou 0,01 NTU (FNU), (o que for maior)
Resolução	0,01 NTU na gama mais baixa
Luz errática	≤ 0.02 NTU (FNU)
Média de sinais	Selecionável para on ou off
Detector	Fotodiodo de silício

Especificação	Detalhes
Categoria de sobretensão	II
Altitude	2000 m (6562 pés), no máximo
Modos de leitura	Normal (Premir e ler), Média de sinais ou Rapidly Setting Turbidity (Turbidez de Sedimentação Rápida)
Opções de calibração	RNum único passo (RapidCal) para relatórios pouco exigentes em termos de regulamentação, a partir de 0-40 NTU (FNU) Calibração completa de 0-1000 NTU (FNU) Calibração relativa a determinados graus de turbidez
Arquivo de calibração	Regista as últimas 25 calibrações bem sucedidas
Arquivo de verificação	Regista as últimas 250 verificações bem sucedidas
Registador de dados	500 registos
Requisitos de potência	Alimentado por bateria: 6 VCC no máximo (4 baterias NiMH 1,2 V AA ou 4 baterias alcalinas 1,5 V AA) Fonte de alimentação externa: 100–240 VAC ± 10%; saída 5 W (9 VDC, 600 mA máximo)
Condições de funcionamento	Temperatura: 0 a 50 °C (32 a 122 °F) Humidade relativa : 0-90% a 30 °C, 0-80% a 40 °C, 0-70% a 50 °C (não condensante)
Condições de armazenamento	-40 a 60 °C (-40 a 140 °F), apenas para o instrumento
Interface	USB opcional

Especificação	Detalhes
Amostra necessária	15 ml (0,5 oz.)
Recipientes de amostra	Recipientes cilíndricos com 60 x 25 mm (2.36 x 1") em vidro de borossilicato , com tampa de rosca
Dimensões	22.9 x 10.7 x 7.7 cm (9.0 x 4.2 x 3.0 pol.)
Peso	530 g (1.17 lb) sem baterias 620 g (1.37 lb) com quatro pilhas alcalinas AA
Classificação do invólucro do medidor	IP67 (tampa fechada, sem o compartimento das baterias e o módulo)
Classe de protecção	2100Q/is: Classe III Fonte de alimentação: Classe II
Nível de poluição	2
Condições ambientais	Utilização interior e exterior
Certificação	Certificação CE
Garantia	1 ano (UE: 2 anos)

## Secção 2 Informação geral

Em caso algum o fabricante será responsável por quaisquer danos directos, indirectos, especiais, acidentais ou consequenciais resultantes de qualquer incorrecção ou omissão deste manual. O fabricante reserva-se o direito de, a qualquer altura, efectuar alterações neste manual ou no produto nele descrito, sem necessidade de o comunicar ou quaisquer outras obrigações. As edições revistas encontram-se disponíveis no website do fabricante.

## 2.1 Informações de segurança

O fabricante não é responsável por quaisquer danos resultantes da aplicação incorrecta ou utilização indevida deste produto, incluindo, mas não limitado a, danos directos, incidentais e consequenciais, não se responsabilizando por tais danos ao abrigo da lei aplicável. O utilizador é o único responsável pela identificação de riscos de aplicação críticos e pela instalação de mecanismos adequados para a protecção dos processos na eventualidade de uma avaria do equipamento.

Leia este manual até ao fim antes de desembalar, programar ou utilizar o aparelho. Dê atenção a todos os avisos relativos a perigos e precauções. A não leitura destas instruções pode resultar em lesões graves para o utilizador ou em danos para o equipamento.

Certifique-se de que a protecção oferecida por este equipamento não é comprometida. Não o utilize ou instale senão da forma especificada neste manual.

## 2.2 Uso da informação de perigo

### ▲ PERIGO

Indica uma situação de perigo potencial ou eminente que, se não for evitada, resultará em morte ou lesões graves.

### ▲ ADVERTÊNCIA

Indica uma situação de perigo potencial ou eminente que, se não for evitada, poderá resultar em morte ou lesões graves.

### ▲ AVISO




Indica uma situação de perigo potencial, que pode resultar em lesões ligeiras a moderadas.

### ATENÇÃO

Indica uma situação que, se não for evitada, pode causar danos no equipamento. Informação que requer ênfase especial.

## 2.3 Avisos de precaução

Leia todos os avisos e etiquetas do equipamento. A sua não observação pode resultar em lesões para as pessoas ou em danos para o aparelho. Um símbolo no aparelho é referenciado no manual com uma frase de precaução.

	Este é o símbolo de alerta de segurança. Observe todas as mensagens de segurança que seguem este símbolo para evitar potenciais lesões. Caso se encontre no equipamento, consulte o manual de instruções para obter informações de operação ou segurança.
	Este símbolo indica que existe um risco de choque eléctrico e/ou electrocussão.
	O equipamento eléctrico marcado com este símbolo não pode ser eliminado nos sistemas europeus de recolha de lixo doméstico e público. Devolva os equipamentos antigos ou próximos do final da sua vida útil ao fabricante para que os mesmos sejam eliminados sem custos para o utilizador.

## 2.4 Conformidade e certificação

### ▲ AVISO

Este equipamento não se destina a ser utilizado em ambientes residenciais e pode não oferecer uma proteção adequada para recepção de rádio nesses ambientes.

### Regulamento Canadano de Equipamentos Causadores de Interferências, ICES-003, Classe A:

Os registos de suporte dos testes estão na posse do fabricante.

Este aparelho de Classe A obedece a todos os requisitos dos Regulamentos Canadianos de Equipamentos Causadores de Interferências.

Cet appareil numérique de classe A répond à toutes les exigences de la réglementation canadienne sur les équipements provoquant des interférences.

## Parte 15 das Normas FCC, Limites da Classe “A”

Os registos de suporte dos testes estão na posse do fabricante. Este aparelho está conforme com a Parte 15 das Normas FCC. O funcionamento está sujeito às duas condições seguintes:

1. O equipamento não provoca interferências nocivas.
2. O equipamento deve aceitar qualquer interferência recebida, incluindo interferências suscetíveis de determinar um funcionamento indesejado.

Alterações ou modificações efetuadas nesta unidade que não sejam expressamente aprovadas pela entidade responsável pela conformidade podem retirar ao utilizador a legitimidade de usar o aparelho. Este equipamento foi testado e considerado em conformidade relativamente aos limites para os dispositivos digitais de Classe A, de acordo com a Parte 15 das Normas FCC. Estes limites estão desenhados para fornecer proteção razoável contra interferências prejudiciais quando o equipamento for operado num ambiente comercial. Este equipamento gera, utiliza e pode irradiar energia de radiofrequência e, se não for instalado e utilizado em conformidade com o manual de instruções, poderá provocar interferências nocivas com comunicações por rádio. É provável que a utilização deste equipamento numa zona residencial provoque interferências nocivas. Neste caso, o utilizador deverá corrigi-las pelos seus próprios meios. As técnicas a seguir podem ser utilizadas para diminuir os problemas de interferência:

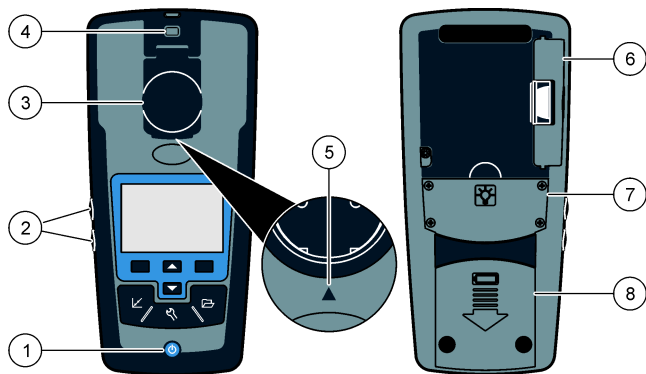
1. Desligue o aparelho da corrente e verifique se esta é ou não a fonte de interferência.
2. Se o aparelho estiver ligado à mesma tomada que o dispositivo que apresenta interferências, ligue-o a uma tomada diferente.
3. Afaste o equipamento do dispositivo que está a receber a interferência.
4. Reposicione a antena de recepção do dispositivo que está a receber a interferência.
5. Experimente combinações das sugestões anteriores.

## 2.5 Vista geral do produto

Os turbidímetros portáteis 2100Q e 2100Q *is* medem a turbidez entre 0 e 1000 NTU (FNU). Destinado principalmente a ser usado no campo,

o medidor portátil funciona com quatro pilhas alcalinas AA. Os dados podem ser armazenados e transferidos para uma impressora, computador ou dispositivo de armazenamento USB.

**Figura 1 Vista geral do produto**

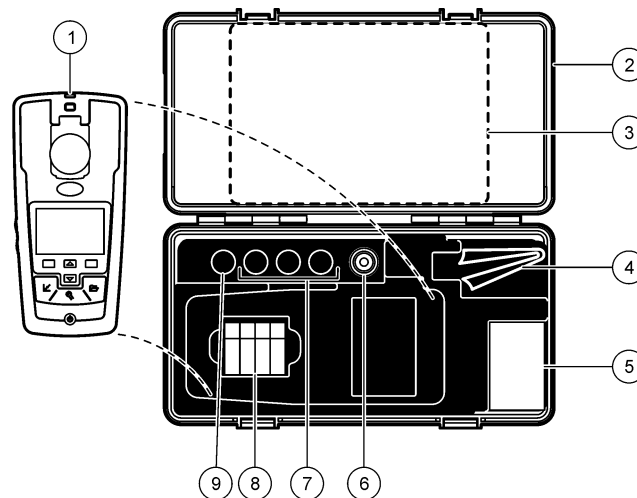


1 Botão on e off	5 Seta de alinhamento
2 Teclas retro-iluminadas (+ e -)	6 Módulo
3 Porta-amostras com tampa	7 Compartimento da lâmpada
4 Presilha para correia	8 Compartimento de pilhas

## 2.6 Componentes do produto

Consulte [Figura 2](#) a fim de se certificar de que todos os componentes foram recebidos. Se alguma destas peças estiver em falta ou apresentar danos, contacte imediatamente o fabricante ou um representante de vendas.

**Figura 2 Componentes do 2100Q e 2100Qis**



1 Turbidímetro 2100Q ou 2100Qis	6 Óleo de silicone
2 Estojo de transporte	7 Padrões de calibração StablCal de 20, 100 e 800 NTU
3 Manual do utilizador e guia de consulta rápida	8 Pilhas alcalinas AA (conj.de 4)
4 Pano de limpeza	9 Padrão de verificação StablCal de 10 NTU
5 Recipiente de amostra de 1" (10 ml) com tampa (conj. de 6)	

## Secção 3 Instalação

### ▲ AVISO



Vários perigos. Apenas pessoal qualificado deverá realizar as tarefas descritas nesta secção do documento.

### 3.1 Instalação da bateria

#### ▲ ADVERTÊNCIA



Perigo de explosão. Uma pilha fora do prazo de validade pode causar a acumulação de hidrogénio gasoso no interior do equipamento. Substitua a pilha antes que expire. Não armazene o equipamento durante longos períodos com a pilha instalada.

#### ▲ ADVERTÊNCIA

Perigo potencial de incêndio. Utilize apenas pilhas alcalinas ou de níquel-hidreto metálico (NiMH) no medidor. Outro tipo de baterias ou a sua instalação incorrecta podem causar um incêndio. Nunca misture pilhas de diferentes tipos no medidor.

### ATENÇÃO

O compartimento das pilhas não é à prova de água. Se o compartimento das pilhas se molhar, remova e seque as baterias, e seque completamente o interior do mesmo. Verifique se os contactos das pilhas apresentam sinais de corrosão e limpe-os, se necessário.

### ATENÇÃO

Se utilizar baterias de níquel-hidreto metálico (NiMH), o ícone da bateria não indicará carga completa quando se introduzirem pilhas completamente carregadas. (As pilhas de NiMH são de 1,2 V em lugar de 1,5 V como as alcalinas). Mesmo que o ícone não indique a carga completa, as pilhas NiMH 2300 mAh irão atingir 90% da vida útil de funcionamento do instrumento (antes de recarga) contra as novas pilhas alcalinas.

### ATENÇÃO

Para evitar danos potenciais no medidor a partir da fuga da pilha, retire as pilhas antes de períodos longos de inactividade.

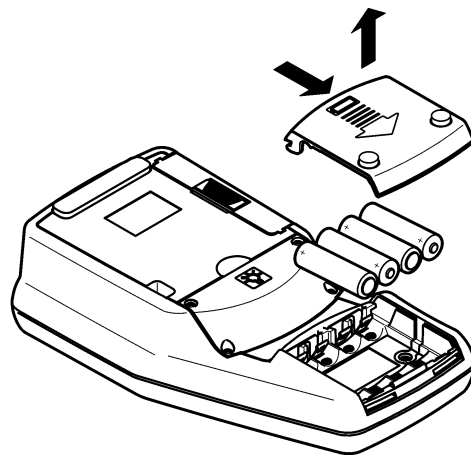
O medidor pode ser alimentado com pilhas alcalinas AA ou de NiMH recarregáveis. A fim de conservar o tempo de vida das pilhas, o aparelho desligar-se-á depois de 10 minutos de inactividade e a sua retro-iluminação passados 30 segundos. Este tempo pode ser alterado no menu Power Management.

**Nota:** As pilhas recarregáveis só serão recarregadas com o módulo USB/corrente. Para mais informações, consulte a documentação deste módulo.

Para instalação das pilhas, consulte [Figura 3](#).

1. Remova a tampa do compartimento das pilhas.
2. Instale 4 pilhas alcalinas AA ou de níquel-hidreto metálico (NiMH). Certifique-se de que as instala com a orientação correcta.
3. Volte a colocar a tampa do compartimento das pilhas.

Figura 3 Instalação das pilhas

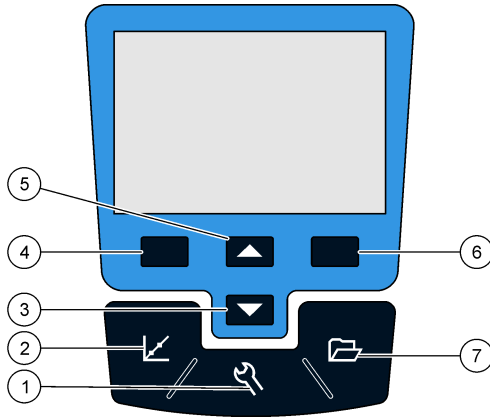




## Secção 4 Interface do utilizador e navegação

### 4.1 Interface do utilizador

Figura 4 Descrição do teclado

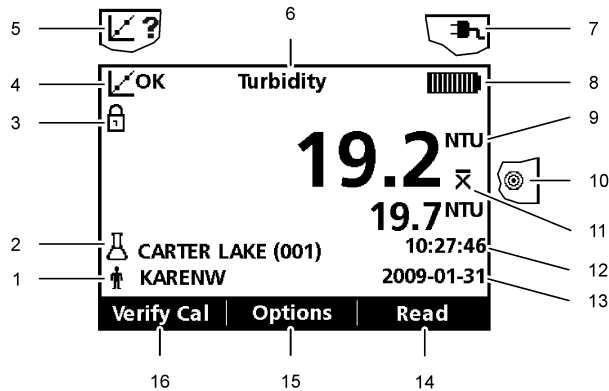


### 4.2 Descrição do ecrã

O ecrã de medição mostra a turbidez, unidades, estado de calibração, data e hora, identificação do operador (se programado) e identificação da amostra (se programado). Consulte [Figura 5](#).

<b>1</b> Tecla de <b>DEFINIÇÕES</b> : Selecione as opções do menu para ajuste do medidor.	<b>5</b> Tecla para <b>CIMA</b> : passar os menus, introduz números e letras
<b>2</b> Tecla de <b>CALIBRAÇÃO</b> : Exibe o ecrã de calibração, inicia calibração, seleccione as opções cal	<b>6</b> Tecla para a <b>DIREITA</b> (contextual): lê amostra de turvação, selecciona ou confirma opções, abre/salta para os sub-menus
<b>3</b> Tecla para <b>BAIXO</b> : passar os menus, introduz números e letras	<b>7</b> Tecla de <b>GESTÃO DE DADOS</b> : visualizar, apagar ou transferir dados armazenados
<b>4</b> Tecla para a <b>ESQUERDA</b> (contextual): acesso para verificação da calibração, cancela ou sai do ecrã de menu actual para o ecrã de menu anterior	

Figura 5 Exibição de ecrã único



1 Identificação do operador	9 NTU (Unidade Nefelométrica de Turbidez) ou FNU (Unidade de Turbidez d Formazina)
2 Identificação da amostra	10 Modo de leitura: Turbidez de sedimentação rápida (ícone em alvo)
3 Indicador de estabilidade ou do bloqueio do ecrã	11 Modo de leitura: Média de Sinal (ícone de barra com X por cima)
4 Indicador do estado da calibração (Calibration OK=válida)	12 Hora
5 Indicador do estado da calibração (Calibration ? =inválida)	13 Data
6 Título de parâmetro	14 Ler (contextual: OK, Seleccionar)
7 Ícone de alimentação AC	15 Opções (contextual)
8 Ícone da bateria	16 Calibração de verificação

## 4.3 Navegação

O medidor contém um menu Definições, menu de Opções de Leitura e menu de Opções de Verificação de Calibração para verificar várias opções. Utilize as teclas **CIMA** e **BAIXO** para marcar opções diferentes. Pressione a tecla **DIREITA** para seleccionar uma opção. Existem duas formas de alterar opções:


1. Selecciona uma opção a partir de uma lista: Use as teclas **CIMA** e **BAIXO** para seleccionar uma opção. Caso as caixas de opção sejam exibidas, mais do que uma opção pode ser seleccionada. Pressione a tecla **ESQUERDA** em Seleccionar.

*Nota: Para retirar a selecção das caixas de opção, prima a tecla **ESQUERDA** em Des-seleccionar.*

2. Introduza um valor de opção com as teclas das setas: Prima as teclas **CIMA** e **BAIXO** para entrar ou alterar um valor.
3. Prima a tecla **DIREITA** para avançar para o próximo espaço.
4. Prima a tecla **DIREITA** em **OK** para aceitar o valor.

## Secção 5 Arranque

### 5.1 Ligar e desligar o medidor

 Pressione a tecla **ON/OFF** para ligar ou desligar o medidor. Se o aparelho não se ligar, certifique-se de que as pilhas ou o módulo, estão devidamente instalados ou que o adaptador de corrente eléctrica está devidamente ligado a uma tomada.

*Nota: A opção de Auto-Desligar podem também ser usada para desligar o medidor. Está disponível informação adicional no website do fabricante.*

### 5.2 Alterar o idioma

Existem três opções para definir o idioma:

- O idioma do ecrã é seleccionado quando o medidor é ligado pela primeira vez.
- O idioma do ecrã é seleccionado quando a tecla de potência é pressionada e mantida pressionada.
- O idioma pode ser alterado a partir do menu de Definições.

1. Selecione o idioma a partir da lista. Para confirmar, prima **OK**.
2. Prima **Efectuado** quando a actualização estiver completada.

### 5.3 Alterar a data e hora

A data e hora podem ser alteradas a partir do menu Data & Hora.

1. Prima a tecla de **DEFINIÇÕES** e selecione Data & Hora.
2. Actualize a informação de hora e data:

Opção	Descrição
<b>Formato</b>	Selecione um dos formatos para a data e hora: yyyy-mm-dd 24h yyyy-mm-dd 12h dd-mm-yyyy 24h dd-mm-yyyy 12h mm/dd/yyyy 24h mm/dd/yyyy 12h
<b>Data</b>	Introduza a data actual
<b>Horário</b>	Introduza a hora actual

A data e hora actual serão exibidas no ecrã.

Após a definição da data e da hora, o medidor está pronto para obter medidas.

## Secção 6 Operação padrão

### 6.1 Utilize o ID de amostra

A etiqueta de ID de amostra é usada para associar leituras com uma localização de amostra particular. Se atribuído, os dados armazenados irão incluir este ID.

1. Selecione **ID de amostra** no menu de Definições.

2. Seleccionar, criar ou apagar o ID de amostra:

Opção	Descrição
<b>ID actual</b>	Selecione um ID a partir de uma lista. O ID actual será associado com dados de amostra até que um ID diferente seja seleccionado.
<b>Crie um novo ID</b>	Introduza um nome para o novo ID de amostra.
<b>Apagar o ID de amostra</b>	Apagar um ID de amostra existente.

### 6.2 Utilize um ID do operador

A etiqueta ID do operador associa leituras a um operador individual. Todos os dados armazenados irão incluir este ID.

1. Selecione **ID de operador** no menu Definições.
2. Seleccionar, criar, ou apagar um ID operador:

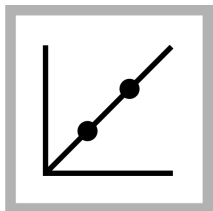
Opção	Descrição
<b>ID actual</b>	Selecione um ID a partir de uma lista. O ID actual será associado com dados de amostra até que um ID diferente seja seleccionado.
<b>Crie um novo ID do operador</b>	Introduza um nome para um novo ID do operador (podem ser introduzidos um máximo de 10 nomes).
<b>Apagar ID do operador</b>	Apagar um ID do operador existente.

## Secção 7 Operação avançada

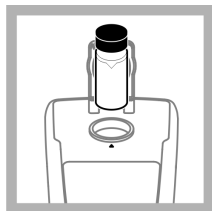
### 7.1 Calibrar o turbidímetro com os padrões StablCal

*Nota: Para uma maior precisão, utilize o mesmo recipiente de amostra ou quatro recipientes emparelhados para todas as leituras no decurso da calibração. Introduza o recipiente da amostra no respectivo compartimento do aparelho de*

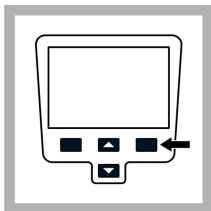
forma a que a marca de orientação em forma de losango fique alinhada com a marca de orientação em relevo existente no compartimento.



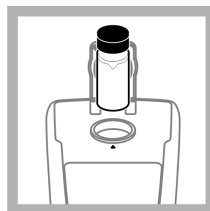
1. Prima a tecla **CALIBRATION** para entrar no modo de Calibração. Siga as instruções no ecrã.  
**Nota:** Inverta cuidadosamente cada padrão antes de o introduzir no compartimento.



2. Introduza o padrão StablCal 20 NTU e feche a tampa.  
**Nota:** O padrão a introduzir é o fornecido.

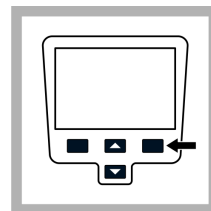


3. Pressione **Ler**. O ecrã mostrará o termo Stabilizing, exibindo depois o resultado.

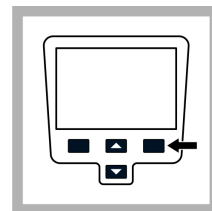


4. Repita os Passos 2 e 3 com os padrões StablCal de 100 NTU e 800 NTU.

**Nota:** Pressione **Done** completar uma calibração de dois pontos.



5. Pressione **Done** rever os pormenores da calibração.





6. Pressione **Store** para guardar os resultados. Depois de terminar a calibração, o aparelho entra automaticamente no modo Verify Cal. Está disponível informação adicional no website do fabricante.


## 7.2 Modos de leitura

1. Prima as teclas para **CIMA** ou para **BAIXO** para entrar no menu de opções de leitura (Reading Options).
2. Selecione Reading mode (Modo de Leitura) para escolher uma das opções seguintes:

Opção	Descrição
<b>Normal (Configuração padrão)</b>	O modo normal efectua três leituras e faz a sua média. O resultado é exibido após a leitura.

Opção	Descrição
<b>Signal Average</b> 	<p>O modo Signal Average (Média de Sinal) compensa flutuações de leitura provocadas pelo deambular de partículas de amostra através do percurso da luz.</p> <p>O ícone X com uma barra por cima é exibido no ecrã quando a função Média de Sinal está activada.</p> <p>O modo Média de Sinal efectua 12 medições e começa a exibir a média após as primeiras três. O resultado final é a média das 12 leituras.</p>
<b>Rapidly Settling Turbidity (RST)</b> 	<p>O modo Rapidly Settling Turbidity (RST) (Turbidez de Sedimentação Rápida) calcula e actualiza continuamente a leitura da turbidez da amostra com uma confiança de 95%, com base na tendência acumulada dos valores medidos em tempo real.</p> <p>O modo RST resulta melhor em amostras que sedimentam rapidamente e que, por isso, mudam constantemente de valor. A leitura tem por base uma amostra preparada de forma correcta, homogénea no início da leitura. Tem melhores resultados se aplicado em amostras com mais de 20 NTU. A amostra deve ser bem misturada por inversão imediatamente antes de ser introduzida no leitor.</p> <p>O ícone do alvo é exibido no ecrã quando o modo Turbidez de Sedimentação Rápida está activo.</p> <p>O Rapidly Settling Turbidity lê e calcula cinco leituras, mostrando os resultados intermédios.</p>

## Secção 8 Manutenção

<b>▲ AVISO</b>	
	<p>Vários perigos. Apenas pessoal qualificado deverá realizar as tarefas descritas nesta secção do documento.</p>

## 8.1 Limpe o medidor

O medidor é desenhado para não necessitar de manutenção e não necessita limpeza regular para o funcionamento normal. As superfícies exteriores do medidor podem ser limpas como necessário.

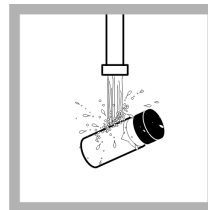
**Nota:** Não limpe o medidor sem solventes para evitar danos no material.

1. Limpe o medidor com um pano sem algodão ou pó seco ou ligeiramente humedecido. Também pode ser usada uma solução de sabão suave para contaminação lipossolúvel.

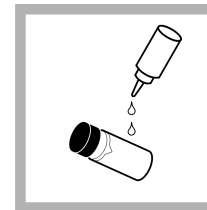
## 8.2 Aplicar óleo de silicone em uma célula de amostra

As tampas e as células de amostra devem estar extremamente limpas e livres de arranhões significativos. Aplique um camada fina de óleo de silicone fora das células de amostra para esconder imperfeições e riscos menores que possam contribuir para a dispersão da luz.

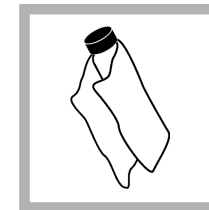
**Nota:** Apenas utilize óleo de silicone fornecido. Este óleo de silicone tem o mesmo índice de refração que o vidro da célula de amostra.



1. Limpe dentro e fora das células e tampas através de lavagem com um detergente de limpeza de vidro de laboratório. Enxágue várias vezes e depois com água desmineralizada ou destilada.



2. Aplique um fio pequeno de silicone desde o topo até ao fundo da célula.



3. Utilize o pano para olear fornecido para espalhar o óleo uniformemente. Limpe o excesso para que apenas seja deixada uma pequena camada de óleo. Assegure-se que a amostra da célula esteja quase seca com pouco ou nenhum óleo visível.

**Nota:** Guarde o pano para olear num saco de plástico para o manter limpo.

### 8.3 Armazene as células de amostra

#### ATENÇÃO

Não seque com ar as amostras da célula.

*Nota: Armazene sempre as células de amostra com tampas para prevenir que as células sequem.*

1. Encha as células com água desmineralizada ou destilada.
2. Tape e armazene as células de amostra.
3. Limpe o exterior das células de amostra com um pano suave.

### 8.4 Substituição das baterias

#### ⚠ ADVERTÊNCIA



Perigo de explosão. Uma pilha fora do prazo de validade pode causar a acumulação de hidrogénio gasoso no interior do equipamento. Substitua a pilha antes que expire. Não armazene o equipamento durante longos períodos com a pilha instalada.

#### ⚠ ADVERTÊNCIA

Perigo potencial de incêndio. Utilize apenas pilhas alcalinas ou de níquel-hidreto metálico (NiMH) no medidor. Outro tipo de baterias ou a sua instalação incorrecta podem causar um incêndio. Nunca misture pilhas de diferentes tipos no medidor.

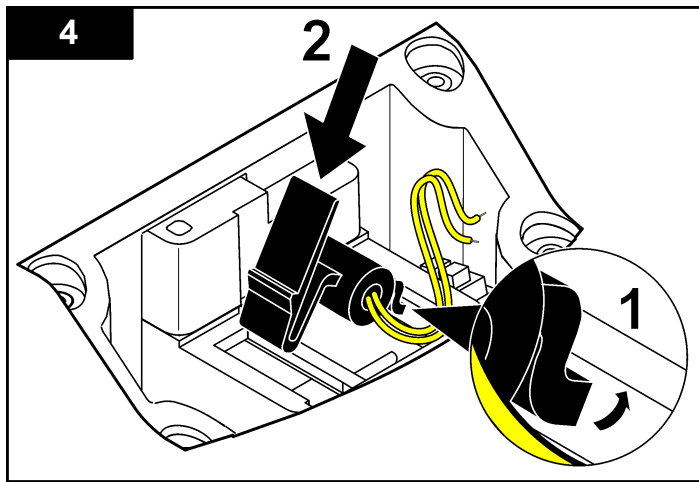
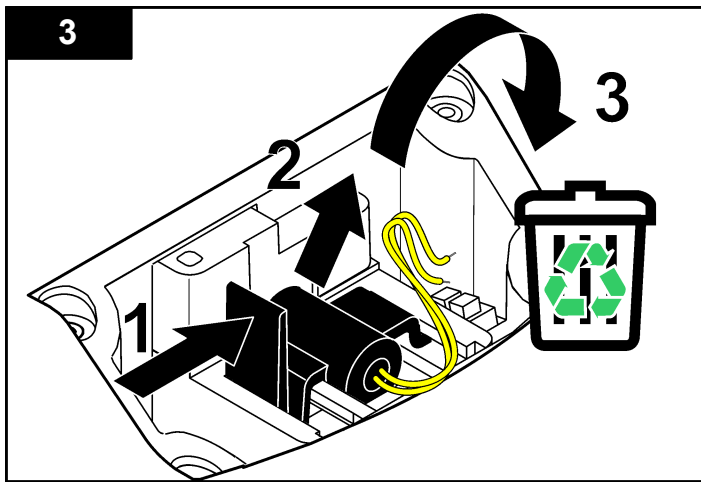
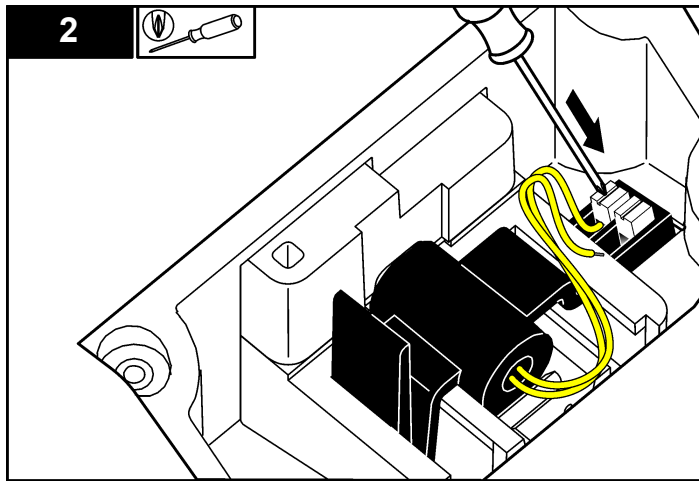
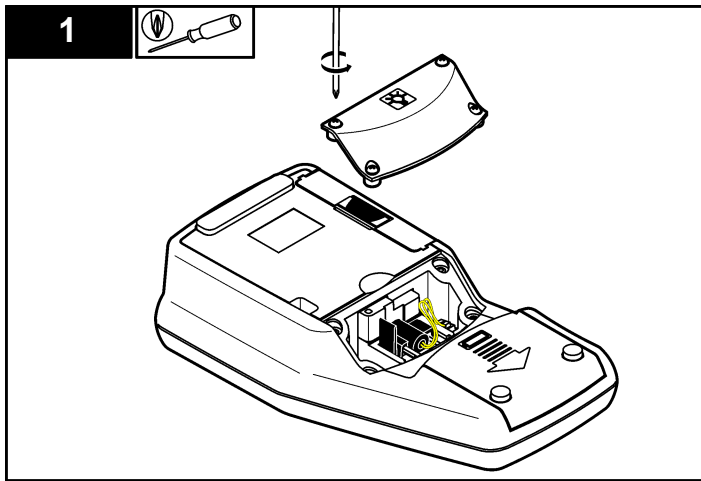
Para a substituição das baterias, consulte a [Instalação da bateria](#) na página 88.

1. Remova a tampa do compartimento das pilhas.
2. Retire as pilhas.
3. Instale 4 pilhas alcalinas AA ou de níquel-hidreto metálico (NiMH). Certifique-se de que as instala com a orientação correcta.
4. Volte a colocar a tampa do compartimento das pilhas.

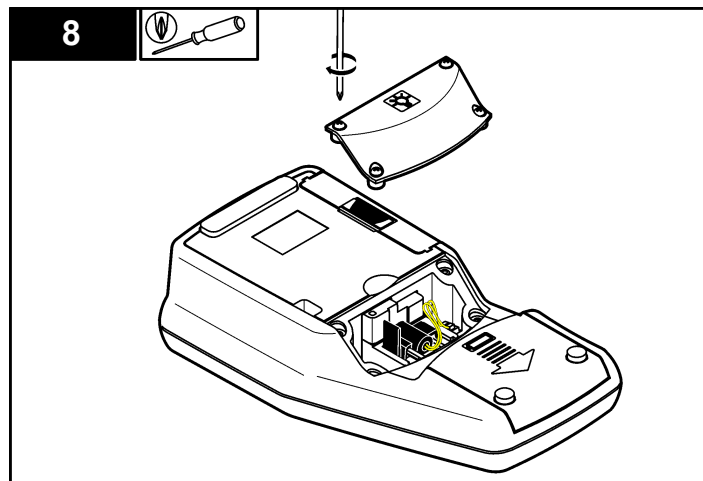
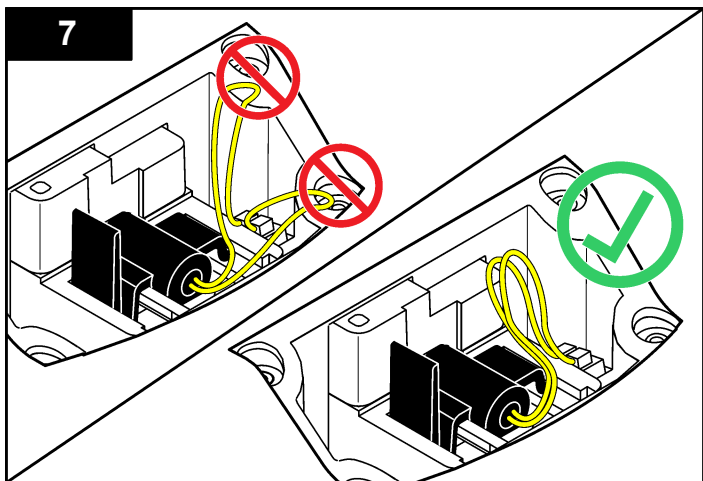
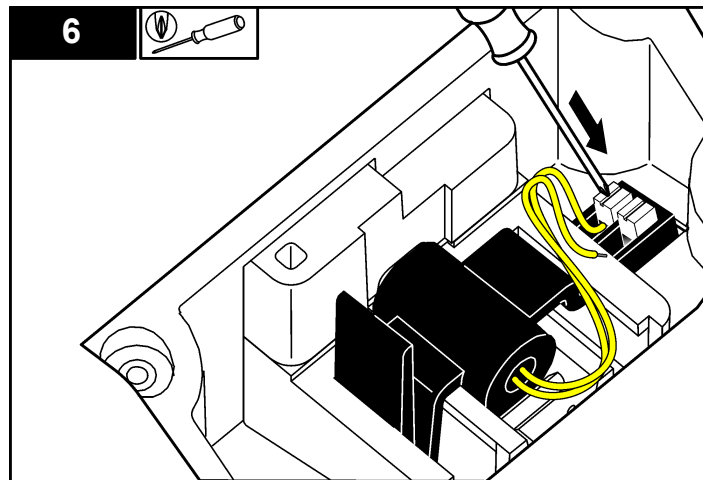
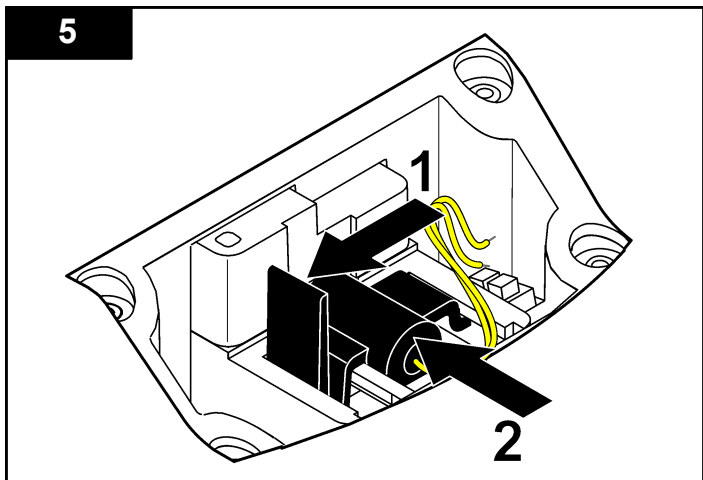
### 8.5 Substituição da lâmpada

#### ⚠ AVISO

Risco de queimaduras. Espere até que a lâmpada arrefeça. O contacto com a lâmpada quente pode provocar queimaduras.







## Secção 9 Resolução de problemas

Consulte a tabela que se segue em caso de mensagens de erro ou sintomas comuns, possíveis causas e acções correctivas.

Erro/Aviso	Descrição	Solução
<b>Close lid and push Read.</b>	A tampa está aberta ou a detecção da tampa falhou	Certifique-se de que a tampa está fechada durante a leitura e volte a ler.
<b>Low Battery!</b>	A bateria está fraca.	<ul style="list-style-type: none"> <li>• Coloque pilhas novas</li> <li>• Ligue o módulo USB/corrente se estiver a usar pilhas recarregáveis.</li> </ul>
<b>ADC Failure!</b>	Erro de hardware, provocando uma falha na leitura.	Repita a leitura
<b>Detector signal too low!</b>	Luz insuficiente no detector de 180°.	<ul style="list-style-type: none"> <li>• Verifique se há obstrução do caminho da luz</li> <li>• Verifique a lâmpada</li> </ul>
<b>Overrange!</b>	Excesso de turbidez provocado provavelmente por se ter calibrado apenas com RapidCal.	<ul style="list-style-type: none"> <li>• Calibre a gama superior</li> <li>• Dilua a amostra</li> </ul>
<b>Underrange!</b>	A absorvância medida está abaixo da gama de calibração.	Repita a calibração

Erro/Aviso	Descrição	Solução
<b>Please check the lamp!</b>	Sinais baixos nos detectores de 90° e 180°.	<p><b>2100Q:</b> A lâmpada está avariada. Substitua-a (consulte <a href="#">Substituição da lâmpada</a> na página 95).</p> <p><b>2100Qis:</b> Contacte o apoio técnico.</p>
<b>Temperature too high! Switch off instrument. Desligue o instrumento.</b>	A temperatura excedeu os limites do aparelho (>60°C ou >140°F)	Desligue o aparelho e deixe-o arrefecer.
<b>RST: Average value!</b>	Deposição de partículas demasiado lenta. O modo de leitura não é adequado a esta amostra.	Selecione o modo de leitura Normal ou Média de Sinal.
<b>Confidence level is &lt; 95%</b>	O modo de leitura Turbidez de sedimentação rápida não está dentro do intervalo de confiança de 95%.	<ul style="list-style-type: none"> <li>• Inverta a amostra várias vezes para misturar as partículas. Repita a leitura.</li> <li>• Mude para o modo de leitura Normal se a amostra é estável e não tem partículas que sedimentem.</li> </ul>
<b>Standard value out of range. Insert standard and push Read</b>	O valor padrão utilizado para a leitura é incorrecto.	Introduza o padrão adequado.

<b>Erro/Aviso</b>	<b>Descrição</b>	<b>Solução</b>
<b>ID already in use. Enter new ID</b>	A ID de operador ou de amostra não está disponível pois já foi atribuída.	Crie uma nova ID.
<b>Error - Security Please set password before activating security</b>	Não foi criada qualquer palavra passe.	Crie uma nova palavra passe.
<b>Please enter at least one character.</b>	A palavra passe deve conter pelo menos um carácter.	Crie uma palavra passe com pelo menos um carácter.
<b>Password incorrect. Please retry.</b>	Foi introduzida uma palavra passe incorrecta.	Introduza a palavra passe adequada.
<b>Please disconnect the USB cable from your computer.</b>	O armazenamento de dados não responde quando ligado ao aparelho e ao computador.	Desligue o cabo USB do aparelho e tente voltar a enviar os dados.
<b>USB module memory full. Delete data and try again.</b>	A memória está cheia.	<ol style="list-style-type: none"> <li>1. Ligue o módulo USB/corrente ao computador</li> <li>2. Descarregue os dados armazenados para o computador</li> <li>3. Apague o arquivo de dados do módulo.</li> </ol>

<b>Erro/Aviso</b>	<b>Descrição</b>	<b>Solução</b>
<b>Delete Last Reading Failed!</b>	Erro no armazenamento de dados.	Ligue e desligue o aparelho. Se a mensagem de erro persistir, contacte o apoio técnico.
<b>Delete Data Log failed!</b>		
<b>Can't read data set!</b>		
<b>Can't store data!</b>		
<b>Can't store to the reading Log!</b>		
<b>Can't store to the Verify Cal Log!</b>		
<b>Error storing data!</b>		
<b>Error reading data!</b>		

## Obsah

- 1 [Technické údaje](#) na straně 100
- 2 [Obecné informace](#) na straně 101
- 3 [Instalace](#) na straně 104
- 4 [Uživatelské rozhraní a navigační tlačítka](#) na straně 105
- 5 [Spuštění](#) na straně 106
- 6 [Standardní operace](#) na straně 107
- 7 [Rozšířené operace](#) na straně 107
- 8 [Údržba](#) na straně 109
- 9 [Řešení problémů](#) na straně 113

## Kapitola 1 Technické údaje

Technické údaje podléhají změnám bez předchozího upozornění.

Technický údaj	Podrobnosti
Metoda měření	Poměrové měření využívající signál rozptylu nefelometrického světla (90°) vůči signálu rozptylu vysílaného světla.
Normy	<b>2100Q</b> :splňuje metodu EPA 180.1
Zdrojová žárovka	<b>2100Q</b> : žárovka s wolframovým vláknem <b>2100Qis</b> : dioda (LED) emitující světlo
Rozsah	0–1000 NTU (FNU)
Správnost	±2% měřené hodnoty plus rozptýlené světlo od 0–1000 NTU (FNU)
Opakovatelnost	±1% měření nebo 0,01 NTU (FNU) podle toho, co je větší
Rozlišení	0,01 NTU v nejnižším rozsahu
Rozptýlené světlo	≤ 0,02 NTU (FNU)
Průměrování signálu	Volitelné zapnutí nebo vypnutí

Technický údaj	Podrobnosti
Detektor	Křemíková fotodioda
Kategorie přepětí	II
Nadmořská výška	maximálně 2000 m (6562 stop)
Režimy načítání	Normální (stisknutím pro načtení), průměrování signálu nebo Rapidly Settling Turbidity
Možnosti kalibrace	RapidCal v jediném kroku pro záznam dle legislativních předpisů v nízkých úrovních od 0 - 40 NTU (FNU) Kalibrace celého rozsahu od 0 - 1000 NTU (FNU) Kalibrace na stupně zakalení
Kalibrační protokol	Zaznamenává posledních 25 úspěšných kalibrací
Protokol ověření	Protokoluje posledních 250 úspěšných ověření
Protokolování dat (datalogger)	500 záznamů
Požadavky na elektrické napájení	Napájení z baterie: maximálně 6 VDC (4 NiMH 1,2 V AA baterie nebo 4 alkalické 1,5 V AA baterie) Externí napájecí zdroj: 100–240 VAC ± 10%; výstup 5 W (9 VDC, maximálně 600 mA)
Provozní podmínky	Teplota: 0 až 50 °C (32 až 122 °F) Relativní vlhkost: 0–90% při 30 °C, 0–80% při 40 °C, 0–70% při 50 °C, nekondenzující
Podmínky skladování	-40 až 60 °C (- 40 až 140 °F), pouze přístroj
Rozhraní	Volitelné USB

Technický údaj	Podrobnosti
Požadovaný objem vzorku	15 ml (0,5 oz.)
Kyvety na vzorky	Kulaté kyvety 60 x 25 mm (2.36 x 1 in.) borosilikátové sklo se šroubovacími víčky
Rozměry	22.9 x 10.7 x 7.7 cm (9.0 x 4.2 x 3.0 palců)
Hmotnost	530 g (1.17 libry) bez baterií 620 g (1,37 libry) se čtyřmi AA alkalickými bateriemi
Stupeň krytí krytu měřidla	IP67 (uzavřené víko, bez přihrádky pro baterie a modulu)
Třída ochrany	2100Q/is: Třída III Napájení: třída II
Stupeň znečištění	2
Podmínky okolního prostředí	Použití v interiéru i exteriéru
Certifikace	Certifikováno CE
Záruka	1 rok (EU: 2 roky)

## Kapitola 2 Obecné informace

Výrobce není v žádném případě zodpovědný za nepřímé, zvláštní, náhodné či následné škody, které jsou výsledkem jakékoli chyby nebo opomenutí v tomto návodu. Výrobce si vyhrazuje právo provádět v tomto návodu a výrobcích v něm popisovaných změny, a to kdykoliv, bez předchozích oznámení či jakýchkoli následných závazků. Revidovaná vydání jsou dostupná na internetových stránkách výrobce.

## 2.1 Bezpečnostní informace

Výrobce neodpovídá za škody způsobené nesprávnou aplikací nebo nesprávným použitím tohoto produktu včetně (nikoli pouze) přímých, náhodných a následných škod a zříká se odpovědnosti za takové škody v plném rozsahu, nakořlík to umožňuje platná legislativa. Uživatel je výhradně zodpovědný za určení kritických rizik aplikace a za instalaci odpovídajících mechanismů ochrany procesů během potenciální nesprávné funkce zařízení.

Před vybalením, montáží a uvedením přístroje do provozu si prosím pozorně přečtete celý tento návod. Zvláštní pozornost věnujte všem upozorněním na možná nebezpečí a výstražným informacím. V opačném případě může dojít k vážným poraněním obsluhy a poškození přístroje.

Ujistěte se, že nedošlo k poškození obalu tohoto zařízení a přístroj nepoužívejte a neinstalujte jinak, než jak je uvedeno v tomto návodu.

## 2.2 Informace o možném nebezpečí

### ⚠ NEBEZPEČÍ

Označuje možnou nebo bezprostředně rizikovou situaci, jež může v případě, že jí nezabráníte, vést k usmrcení nebo vážnému zranění.

### ⚠ VAROVÁNÍ

Upozorňuje na možné nebo skryté nebezpečné situace, jež by bez vhodných preventivních opatření mohly vést k úmrtí nebo vážnému poranění.

### ⚠ POZOR




Upozorňuje na možnou nebezpečnou situaci, jež by mohla mít za následek menší nebo mírné poranění.

### UPOZORNĚNÍ

Označuje situaci, která může způsobit poškození přístroje, pokud se nezabrání jejímu vzniku. Upozorňuje na informace vyžadující zvláštní pozornost.

## 2.3 Výstražné symboly

Přečtěte si všechny štítky a etikety na přístroji. V opačném případě může dojít k poranění osob nebo poškození přístroje. Odkazy na symboly na přístroji naleznete v návodu spolu s výstražnou informací.

	Toto je symbol bezpečnostního upozornění. Řiďte se všemi bezpečnostními oznámeními s tímto symbolem, abyste předešli možnému zranění. Pokud je umístěn na přístroji, podívejte se do referenční příručky na informace o funkci a bezpečnosti.
	Symbol upozorňuje na možnost úrazu nebo usmrcení elektrickým proudem.
	Elektrické zařízení označené tímto symbolem se nesmí likvidovat v evropských systémech domácího nebo veřejného odpadu. Staré nebo vysloužilé zařízení vraťte výrobci k bezplatné likvidaci.

## 2.4 Dodržování předpisů a certifikace

### ▲ POZOR

Toto zařízení není určeno pro použití v obytných prostředích a nemusí poskytovat přiměřenou ochranu pro příjem rádiového signálu v takovém prostředí.

### Kanadské předpisy o zařízeních způsobujících rádiové rušení, IECIS-003, třída A:

Záznamy o testech jsou uloženy u výrobce.

Tento digitální přístroj třídy A splňuje všechny požadavky kanadských předpisů o zařízeních způsobujících rušení.

Cet appareil numérique de classe A répond à toutes les exigences de la réglementation canadienne sur les équipements provoquant des interférences.

### FCC Část 15, meze třídy "A"

Záznamy o testech jsou uloženy u výrobce. Zařízení splňuje požadavky uvedené v části 15 pravidel FCC. Jeho provoz je dovolen jen při splnění následujících podmínek:

1. Zařízení nemůže způsobit škodlivé rušení.
2. Zařízení musí akceptovat veškeré přijaté rušení, včetně rušení, které může působit nežádoucí provoz.

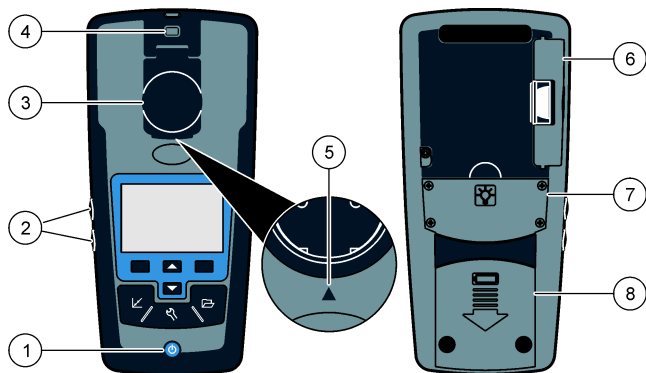
Změny nebo úpravy tohoto zařízení, které nebyly výslovně schváleny stranou odpovědnou za vyhovění normám, mohou způsobit neplatnost oprávnění uživatele provozovat toto zařízení. Toto zařízení bylo testováno a bylo zjištěno, že vyhovuje limitům digitálního zařízení Třídy A na základě části 15 pravidel FCC. Uvedené meze byly stanoveny za účelem poskytnutí dostatečné ochrany před škodlivými interferencemi, je-li zařízení v provozu v komerčním prostředí. Toto zařízení vytváří, používá a může vyzařovat vysokofrekvenční energii a jestliže není instalováno a používáno v souladu s návodem k použití, může působit rušení radiových komunikací. Provoz tohoto zařízení v obytných oblastech může pravděpodobně působit škodlivé rušení. V tomto případě uživatel bude muset odstranit rušení na své vlastní náklady. Ke snížení problémů způsobených rušením lze použít následující postupy:

1. Odpojením zařízení od elektrické sítě se přesvědčte, zda zařízení je či není zdrojem rušení.
2. Pokud je zařízení připojeno do stejné zásuvky jako zařízení trpící rušením, zapojte jej do jiné zásuvky.
3. Zařízení posuňte dále od rušeného přístroje.
4. Změňte polohu přijímací antény zařízení, jež rušení přijímá.
5. Vyzkoušejte případně kombinaci několika uvedených opatření.

## 2.5 Celkový přehled

21001Q a 21001Q/s jsou přenosné turbidimetry pro měření zákalu od 0 do 1000 NTU (FNU). Primárně jsou určeny pro terénní použití a přenosné měřidlo je napájeno čtyřmi bateriemi AA. Data lze ukládat a převádět do tiskárny, počítače nebo na paměťové zařízení USB.

Obr. 1 Celkový přehled

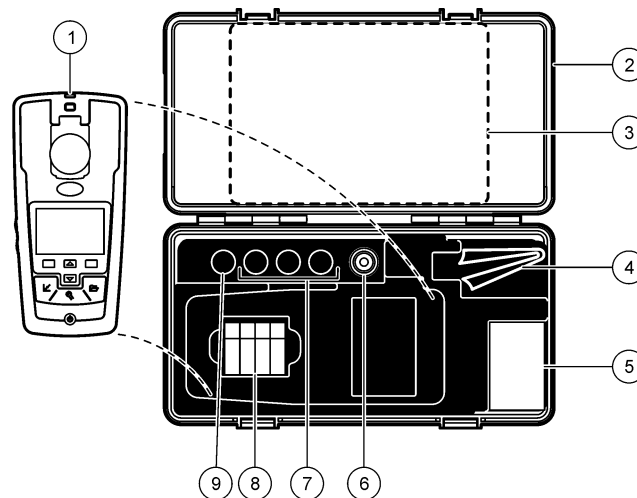


1 Zapnutí a vypnutí	5 Šipka zarovnání kyvety
2 Klávesy podsvícení displeje (+ a -)	6 Modul
3 Držák kyvety na vzorky s víčkem	7 Prostor lampy
4 Pro upevnění závěsné šňůry	8 Prostor pro baterie

## 2.6 Součásti výrobku

Presvědčte se, zda byly dodány všechny součásti, viz Obr. 2. Pokud některé položky chybí nebo jsou poškozené, kontaktujte neprodleně výrobce nebo obchodního zástupce.

Obr. 2 Součásti 2100Q a 21001 is



1 Turbidimetr 2100Q nebo 2100Q is	6 Silikonový olej
2 Přepravní kufřík	7 Kalibrační standardy StabiCal NTU 20, 100 a 800
3 Uživatelská příručka a průvodce rychlými odkazy	8 AA alkalické baterie (bal/4)
4 Utěrka na roztírání oleje	9 Ověřovací standard StabiCal 10 NTU
5 1" kyveta na vzorky (10 ml) s víčkem (bal/6)	

## Kapitola 3 Instalace

### ▲ POZOR



Různá nebezpečí. Práce uvedené v tomto oddíle dokumentu smí provádět pouze dostatečně kvalifikovaný personál.

### 3.1 Instalace baterií

#### ▲ VAROVÁNÍ



Nebezpečí výbuchu. Baterie s prošlou dobou použitelnosti může způsobit nahromadění vodíku uvnitř přístroje. Baterii vyměňte, ještě než uplyne doba použitelnosti. Neskladujte přístroj po dlouhou dobu s vloženou baterií.

#### ▲ VAROVÁNÍ

Potenciální nebezpečí požáru. V měřidle používejte pouze alkalické baterie nebo nikel-metalhydridové akumulátory (NiMH). Jiné typy baterií nebo nesprávná instalace mohou způsobit požár. V nikdy nepoužívejte různé typy baterií.

### UPOZORNĚNÍ

Prostor pro baterie není vodotěsný. Pokud dojde k proniknutí vlhkosti do přihrádky pro baterie, baterie vyjměte a vysušte a vysušte i vnitřní prostor přihrádky pro baterie. Zkontrolujte, zda nejsou zkorodované kontakty baterií a vyčistěte je, bude-li to nutné.

### UPOZORNĚNÍ

Pokud používáte nikel-metalhydridové (NiMH) akumulátory, ikona baterie bude signalizovat plné nabití po vložení čerstvě nabitých nikel-metalhydridových akumulátorů (NiMH jsou 1,2 V versus 1,5 V pro alkalické baterie). I když ikona nesignalizuje úplné nabití, 2300mAh NiMH akumulátory budou dosahovat 90 % doby provozní životnosti přístroje (před dobitím) v porovnání s novými alkalickými bateriemi.

### UPOZORNĚNÍ

Aby nedošlo k potenciálnímu poškození měřidla únikem elektrolytu z baterií, vyjměte je před dlouhou dobou nečinnosti přístroje.

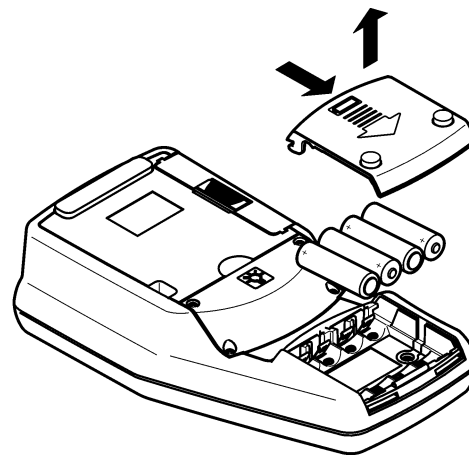
Měřidlo lze napájet AA alkalickými bateriemi nebo dobíjecími NiMH akumulátory. Po 10 minutách nečinnosti se měřidlo vypne a podsvícení displeje se vypne po 30 sekundách, aby se chránila životnost baterie. Tuto dobu lze změnit v nabídce Řízené napájení.

**Poznámka:** Dobíjecí akumulátory lze dobít pouze pomocí USB/napájecího modulu. Další údaje naleznete v dokumentaci modulu.

Instalace baterie viz [Obr. 3](#).

1. Sejměte kryt baterie.
2. Nainstalujte 4 AA alkalické baterie nebo 4 AA nikel-metalhydridové (NiMH) akumulátory. Dbejte na správnou orientaci baterií při instalaci.
3. Vraťte kryt baterie na původní místo.

**Obr. 3** Instalace baterie

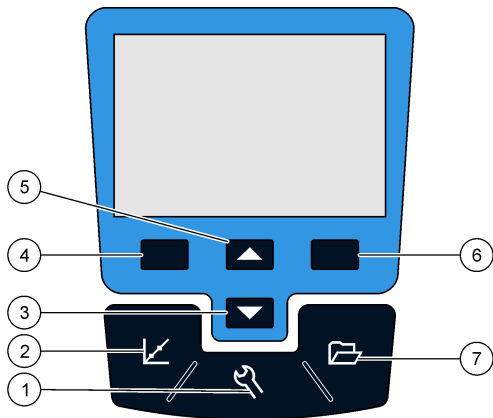




## Kapitola 4 Uživatelské rozhraní a navigační tlačítka

### 4.1 Uživatelské rozhraní

Obr. 4 Popis ovládacího panelu

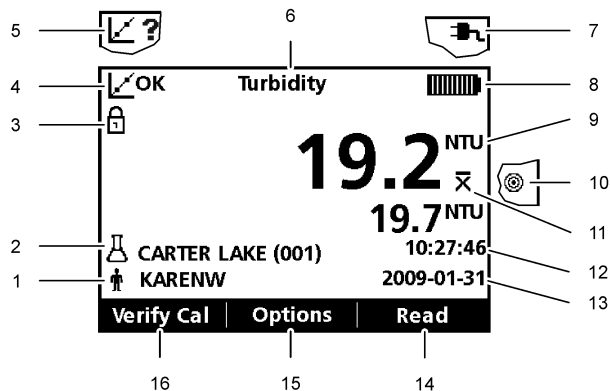


### 4.2 Popis zobrazení

Obrazovka měření ukazuje zákal, jednotky, stav kalibrace, datum a čas, ID obsluhy (je-li nastaveno) a ID vzorku (je-li nastaveno). Viz [Obr. 5](#).

<b>1</b> Klávesa <b>SETTINGS</b> (nastavení): vybírá možnosti nabídky pro nastavení měřidla	<b>5</b> Klávesa <b>UP</b> (nahoru): prochází nabídkami, zadává číslice a písmena
<b>2</b> Klávesa <b>CALIBRATION</b> (kalibrace): ukazuje obrazovku kalibrace, start kalibrace, vybrat možnosti kalibrace	<b>6</b> Klávesa <b>RIGHT</b> (vpravo) (kontextuální): načítá zakalení vzorku, vybírá či potvrzuje možnosti, otevírá/skáče na dílčí nabídky
<b>3</b> Klávesa <b>DOWN</b> (dolů): prochází nabídkami, zadává číslice a písmena	<b>7</b> Klávesa <b>DATA MANAGEMENT</b> (řízení dat): prohlíží, maže nebo přenáší uložená data
<b>4</b> Klávesa <b>LEFT</b> (vlevo) (kontextuální): přístup k ověření kalibrace, ruší nebo vystupuje z aktuální obrazovky nabídky na předchozí obrazovku nabídky	

Obr. 5 Displej s jedinou obrazovkou



1	Identifikace operátora	9	NTU (jednotka nefelometrického zákalu) nebo FNU (jednotka formazinového zákalu)
2	Identifikace vzorku	10	Režim načítání: Rychle se usazující zákal (ikona cíle)
3	Ukazatel stability nebo uzamčení displeje	11	Režim načítání: Průměr signálu (ikona X pruhu)
4	Indikátor stavu kalibrace (Kalibrace OK=přijato)	12	Čas
5	Indikátor stavu kalibrace (Kalibrace ?=nepřijato)	13	Datum
6	Název parametru	14	Načítání (kontextuální, OK, Zvolit)
7	Ikona napájení ze sítě	15	Možnosti (kontextuální)
8	Ikona baterie	16	Ověření kalibrace

### 4.3 Navigace

Měřidlo obsahuje nabídku Nastavení, nabídku Možnosti načítání, nabídku Možnosti kalibrace a nabídku Možnosti ověření kalibrace pro změnu volitelných možností. Použijte klávesy **UP** (nahoru) a **DOWN** (dolů) pro zvýraznění různých možností. Stisknutím klávesy **RIGHT** (vpravo) vyberete možnost. Existují dva způsoby jak změnit nastavení:


1. Zvolte možnost na seznamu: Použijte klávesy **UP** (nahoru) a **DOWN** (dolů) pro výběr možnosti. Jestliže se zobrazí zaškrtnávací políčka, lze vybrat více než jednu možnost. Stiskněte klávesu **LEFT** (vlevo) pod Vybrat.

**Poznámka:** Výběr zaškrtnávacích políček zrušíte stisknutím klávesy **LEFT** (vlevo) pod Zrušit výběr.

2. Zadejte volitelnou hodnotu pomocí kláves se šipkami: Stiskněte klávesy **UP** (nahoru) a **DOWN** (dolů) pro zadání či změnu hodnoty.
3. Stiskněte klávesu **RIGHT** (vpravo) pro postup k dalšímu políčku.
4. Stiskněte klávesu **RIGHT** (vpravo) pod **OK** k přijetí hodnoty.

## Kapitola 5 Spuštění

### 5.1 Vypněte a zapněte měřidlo

-  Stisknutím klávesy **ON/OFF** (zapnout/vypnout) měřidlo zapnete a vypnete. Pokud se měřidlo nezapne, zajistěte, aby byly správně nainstalovány baterie nebo modul nebo aby byl do síťové zásuvky řádně připojen napájecí síťový zdroj.

**Poznámka:** K vypnutí měřidla lze rovněž použít možnost Automatické vypnutí. Doplňující informace jsou k dispozici na webových stránkách výrobce.

### 5.2 Změna jazyka

Pro nastavení jazyka existují tři varianty:

- Při prvním zapnutí měřidla se zvolí jazyk displeje.
- Jazyk displeje se zvolí při stisknutí a přidržení klávesy napájení.
- Jazyk lze změnit z nabídky Nastavení.

1. Zvolte jazyk ze seznamu. Potvrďte tlačítkem **OK**.
2. Po dokončení aktualizace stiskněte **Hotovo**.

### 5.3 Změna data a času

Datum a čas lze měnit v nabídce Datum a čas.

1. Stiskněte klávesu **SETTINGS** (nastavení) a zvolte Datum a čas.
2. Aktualizujte informace o čase a datu:

Možnost	Popis
<b>Formát</b>	Zvolte jeden z formátů pro datum a čas: rrrr-mm-dd 24 hod. rrrr-mm-dd 12 hod. dd-mm-rrrr 24 hod. dd-mm-rrrr 12 hod. mm/dd/rrrr 24 hod. mm/dd/rrrr 12 hod.
<b>Datum</b>	Zadejte aktuální datum
<b>Čas</b>	Zadejte aktuální čas

Na displeji se objeví aktuální datum a čas.

Po nastavení data a času je měřidlo připraveno k provedení měření.

## Kapitola 6 Standardní operace

### 6.1 Použijte ID vzorku

Záložka ID vzorku se používá k propojení naměřených hodnot s konkrétním vzorkem. Jestliže bylo nastaveno ID vzorku, budou uložená data obsahovat toto ID.

1. Zvolte **ID vzorku** v nabídce Nastavení.

2. Vybrat, vytvořit nebo vymazat ID vzorku:

Možnost	Popis
<b>Aktuální ID</b>	Zvolte ID ze seznamu. Aktuální ID bude spojeno s daty vzorku, dokud nebude vybráno odlišné ID.
<b>Vytvořte nové ID vzorku</b>	Zadejte název pro nové ID vzorku.
<b>Vymažte ID vzorku</b>	Vymažte existující ID vzorku.

### 6.2 Použijte ID obsluhy

Záložka ID obsluhy propojuje naměřené hodnoty s individuální obsluhou. Všechny uložené údaje budou toto ID obsahovat.

1. Vyberte **ID obsluhy** v nabídce Nastavení.
2. Vybrat, vytvořit nebo vymazat ID obsluhy:

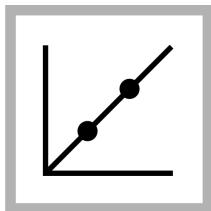
Možnost	Popis
<b>Aktuální ID</b>	Zvolte ID ze seznamu. Aktuální ID bude spojeno s daty vzorku, dokud nebude vybráno odlišné ID.
<b>Vytvořte nové ID obsluhy</b>	Zadejte název nového ID obsluhy (maximálně lze zadat 10 jmen).
<b>Vymažte ID obsluhy</b>	Vymažte existující ID obsluhy.

## Kapitola 7 Rozšířené operace

### 7.1 Kalibrace turbidimetru pomocí standardů Stabl-Cal

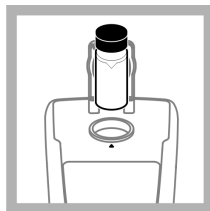
***Poznámka:** Pro nejlepší přesnost používejte během kalibrace při všech odečtech stejnou kyvetu nebo čtyři kyvetu s ověřenými shodnými optickými vlastnostmi. Zasaňte kyvetu do prostoru pro uložení kyvetu tak, aby kosočtverec nebo*

orientační značka odpovídala vyvýšené orientační značce před prostorem pro uložení kyvety.

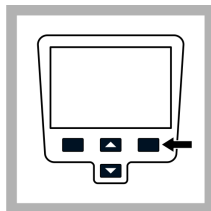


1. Stisknutím klávesy **CALIBRATION** (Kalibrace) vstoupíte do režimu kalibrace. Dále postupujte podle instrukcí na displeji.

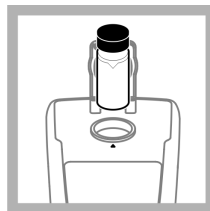
**Poznámka:** Před zasunutím otočte každý standard opatrně dnem vzhůru.



2. Zasuňte standard 20 NTU StabiCal a uzavřete víko. **Poznámka:** Standard, který se má zasunout, je ohraničen.

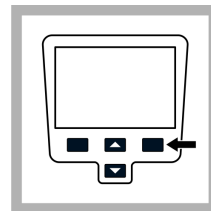


3. Stiskněte **Načíst**. Na displeji se objeví Stabilizace a poté se ukáže výsledek.

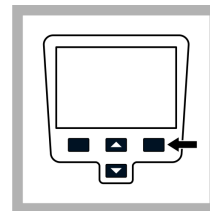


4. Opakujte krok 2 a 3 se standardem StabiCal 100 NTU a 800 NTU.

**Poznámka:** Stisknutím **Hotovo** dokončíte 2bodovou kalibraci.



5. Stisknutím **Hotovo** budete prohlížet detaily kalibrace.





6. Stisknutím **Uložit** uložíte výsledky. Po dokončení kalibrace měřidlo automaticky přechází do režimu Ověřování kalibrace. Doplňující informace jsou k dispozici na webových stránkách výrobce.

## 7.2 Režimy načítání

1. Stiskněte klávesu **UP**(nahoru) nebo **DOWN**(dolů) pro vstup do nabídky Možnost načítání.
2. Vyberte Režim načítání pro volbu jedné z následujících možností

Volba	Popis
Normální (Tovární nastavení)	Normální režim načítá a průměruje tři načtené hodnoty. Výsledek se zobrazí po načítání.

Volba	Popis
<b>Průměr signálu</b> 	<p>Režim Průměr signálu kompenzuje odchylky načítání způsobené průchodem částic ve vzorku přes dráhu světla.</p> <p>Když se signál zprůměrovává, na displeji se objeví ikona X-práh.</p> <p>Režim Průměr signálu měří 12krát a začíná ukazovat průměr po třech načítáních. Konečný výsledek je průměrem všech 12 načítání.</p>
<b>Rapidly Settling Turbidity (RST)</b> 	<p>Režim Rapidly Settling Turbidity (RST, rychle se usazující zákal) vypočítává a nepřetržitě upřesňuje načítání zákal vzorku do 95% intervalu spolehlivosti na základě akumulovaného trendu hodnot naměřených v reálném čase.</p> <p>Režim RST se nejlépe používá na vzorcích, které se rychle usazují a jejichž hodnota s neustále mění. Načítání je založeno na správně připraveném vzorku, který je při zahájení načítání homogenní. Nejlépe se používá u vzorků, u kterých je hodnota zákalu větší než 20 NTU. Vzorek se musí důkladně promíchat otočením dnem vzhůru bezprostředně před vložením do měřidla.</p> <p>Když je zapnuta funkce Rapidly Settling Turbidity, na displeji se objeví cílová ikona.</p> <p>Rapidly Settling Turbidity načítá a vypočítává pět hodnot, zatímco ukazuje aktuální výsledky.</p>

## 8.1 Vyčištění měřidla

Měřidlo je navrženo jako bezúdržbové a nevyžaduje k normálnímu provozu čištění. Vnější povrchy měřidla lze čistit podle potřeby.  
**Poznámka:** Měřidlo nečistěte rozpouštědly, aby nedošlo k poškození materiálu.

1. Měřidlo čistěte suchou nebo slabě navlhčenou látkou, která neobsahuje prach ani volná vlákna. V případě kontaminace rozpustnými lipidy lze rovněž použít slabý mýdlový roztok.

## 8.2 Nanášení silikonového oleje na kyvetu se vzorkem

Kyvety se vzorkem a víčka musí být mimořádně čisté a nesmí být poškrábané. Naneste na vnější povrch kyvet se vzorkem silikonový olej v tenké vrstvě, aby se zamaskovaly drobné nedokonalosti a škrábance, které mohou zvyšovat rozptyl světla.

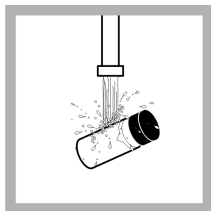
## Kapitola 8 Údržba

### ▲ POZOR

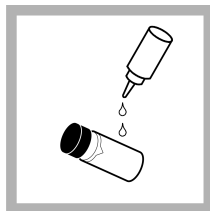


Různá nebezpečí. Práce uvedené v tomto oddíle dokumentu smí provádět pouze dostatečně kvalifikovaný personál.

**Poznámka:** Používejte pouze silikonový olej dodávaný s přístrojem. Tento silikonový olej má stejný index lomu jako sklo květy.



1. Vyčistíte vnitřní a vnější povrch květ a víček omytím v čisticím prostředku na laboratorní sklo. Pokračujte vícenásobným oplachováním destilovanou nebo demineralizovanou vodou.



2. Naneste na květu malou kapku silikonového oleje odshora dolů.



3. Použijte utěrku pro roztírání oleje dodávanou s přístrojem k rovnoměrnému rozptřeni oleje. Přebytečné množství otřete, aby se zachovala pouze tenká vrstva oleje. Dbejte na to, aby květa byla téměř suchá s malým či neviditelným množstvím oleje.  
**Poznámka:** Utěrku pro roztírání oleje uložte do plastového úložného sáčku, aby látka zůstala čistá.

### 8.3 Uskladnění květ

#### UPOZORNĚNÍ

Květy vzorků nesušte vzduchem.

**Poznámka:** Květy vždy ukládejte s nasazenými víčky, aby nedošlo k jejich vyschnutí.

1. Naplňte květy destilovanou nebo demineralizovanou vodou.
2. Květy uzavřete a uložte.
3. Otřete vnější stranu květy dosucha měkkou látkou.

### 8.4 Výměna baterie

#### VAROVÁNÍ



Nebezpečí výbuchu. Baterie s prošlou dobou použitelnosti může způsobit nahromadění vodíku uvnitř přístroje. Baterii vyměňte, ještě než uplyne doba použitelnosti. Neskladujte přístroj po dlouhou dobu s vloženou baterií.

#### VAROVÁNÍ

Potenciální nebezpečí požáru. V měřidle používejte pouze alkalické baterie nebo nikel-metalhydridové akumulátory (NiMH). Jiné typy baterií nebo nesprávná instalace mohou způsobit požár. V nikdy nepoužívejte různé typy baterií.

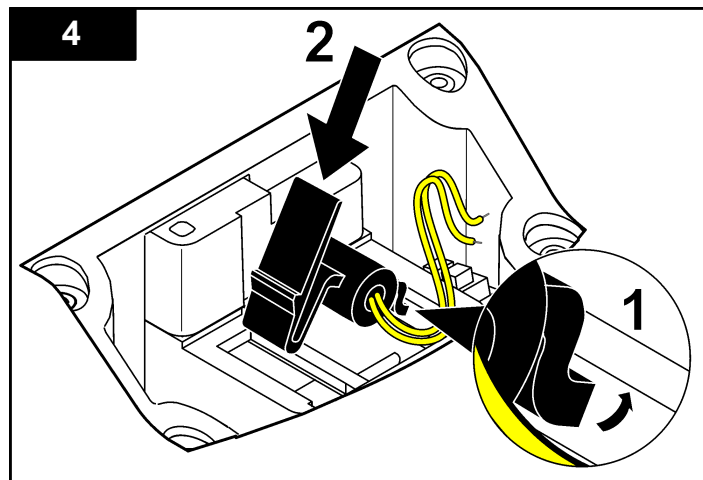
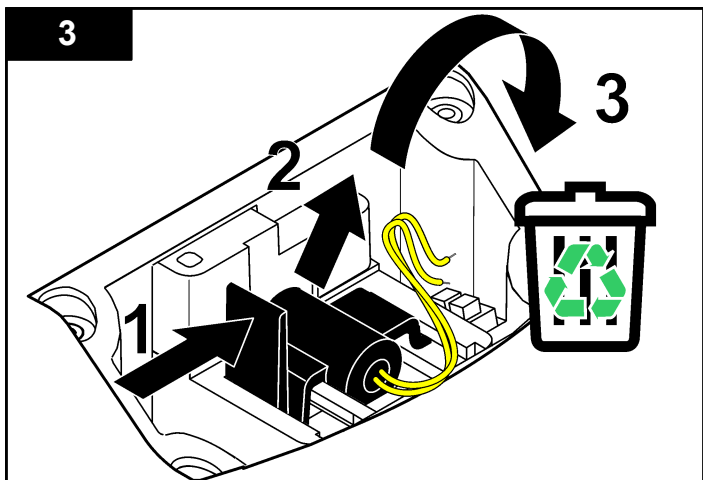
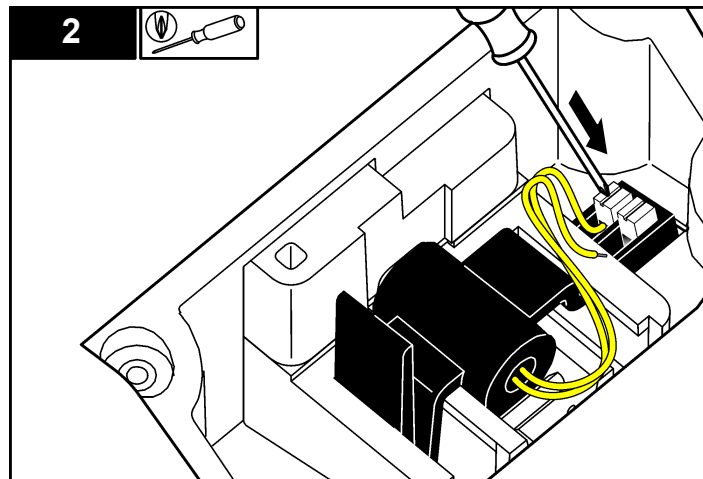
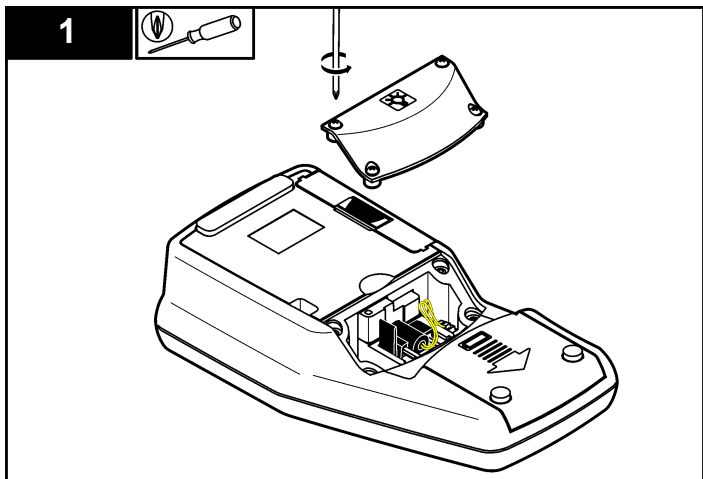
Postup při výměně baterie viz [Instalace baterií](#) na straně 104.

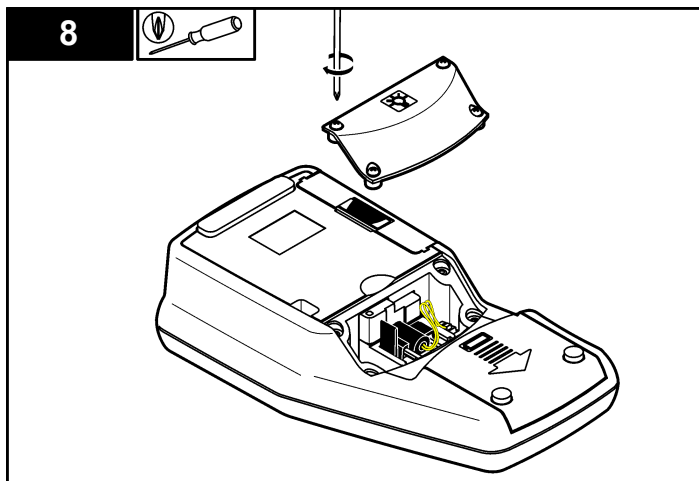
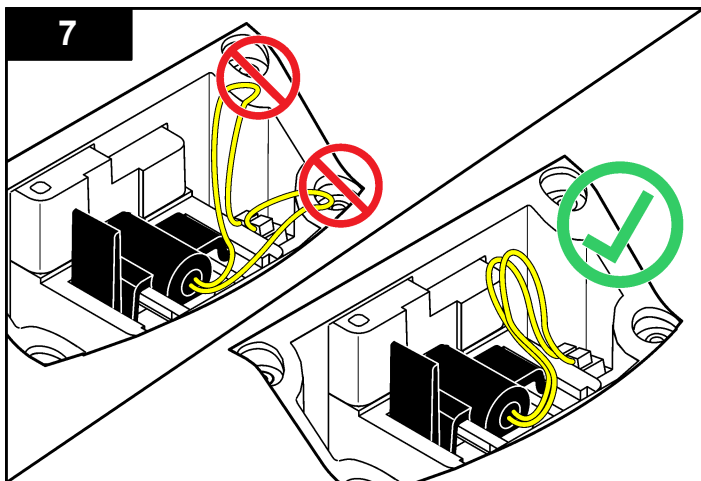
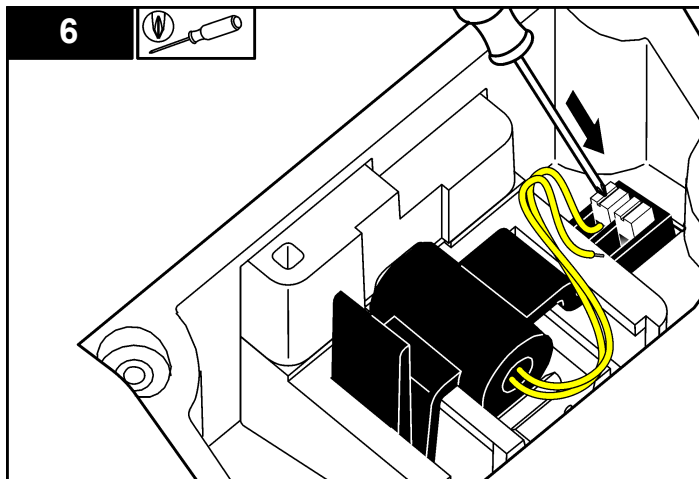
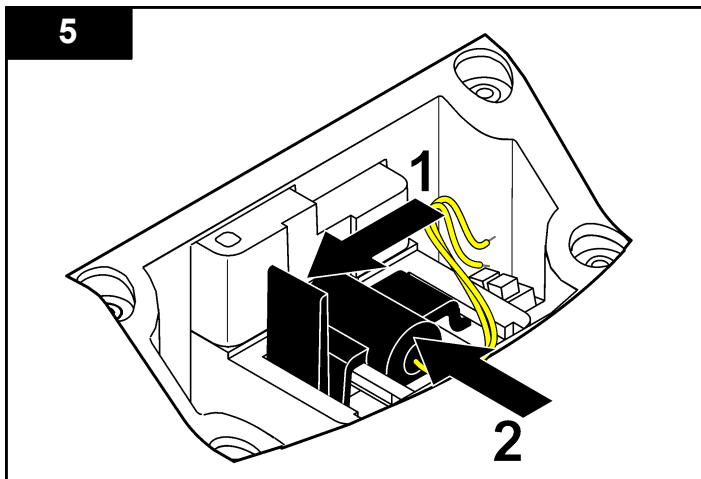
1. Sejměte kryt baterie.
2. Vyjměte baterie.
3. Nainstalujte 4 AA alkalické baterie nebo 4 AA nikel-metalhydridové (NiMH) akumulátory. Dbejte na správnou orientaci baterií při instalaci.
4. Vraťte kryt baterie na původní místo.

### 8.5 Vyměňte lampu

#### POZOR

Riziko popálení. Počkejte, dokud žárovka nevychladne. Dotykem rozpálené žárovky si můžete způsobit popáleniny.







## Kapitola 9 Řešení problémů

Viz následující tabulku uvádějící společná hlášení nebo příznaky problémů, možné příčiny a kroky vedoucí k nápravě.

Chyba/varování	Popis	Řešení
<b>Uzavřete víko a stiskněte Načítání.</b>	Víko je otevřené nebo selhala detekce otevření víka.	Zajistěte uzavření víka během načítání a proveďte opakované načítání.
<b>Baterie je téměř vybitá!</b>	Baterie je téměř vybitá.	<ul style="list-style-type: none"> <li>• Vložte nové baterie.</li> <li>• Připojte USB/napájecí modul, pokud se používají dobíjecí akumulátory</li> </ul>
<b>ADC selhání!</b>	Hardwarová chyba, která způsobila selhání při načítání.	Opakujte načítání.
<b>Příliš nízký signál detektoru!</b>	Nedostatečné osvětlení na detektoru 180°.	<ul style="list-style-type: none"> <li>• Kontrola zablokování světelné dráhy.</li> <li>• Zkontrolujte žárovku.</li> </ul>
<b>Překročení rozsahu!</b>	Zákal příliš vysoký - způsoben pravděpodobně kalibrováním pouze s RapidCal.	<ul style="list-style-type: none"> <li>• Kalibrujte horní rozsah.</li> <li>• Naředte vzorek.</li> </ul>

Chyba/varování	Popis	Řešení
<b>Pod rozsah!</b>	Naměřená absorbance je pod kalibračním rozsahem.	Opakujte kalibraci
<b>Zkontrolujte žárovku!</b>	Na detektoru 90° a 180° jsou signály příliš nízké.	<p><b>2100Q:</b> Žárovka je vadná. Vyměňte žárovku (viz <b>Vyměňte lampu</b> na straně 110).</p> <p><b>2100Qis:</b> Obratě se na technickou podporu.</p>
<b>Teplota je příliš vysoká! Vypněte přístroj.</b>	Teplota překročila meze měřidla (>60°C nebo >140°F).	Měřidlo vypněte a nechte jej vychladnout.
<b>RST: Průměrná hodnota!</b>	Pevné částice se usazují příliš pomalu. Režim načítání není pro tento vzorek vhodný.	Zvolte Normální režim načítání nebo Průměr signálu.

Chyba/varování	Popis	Řešení
<b>Úroveň spolehlivosti je &lt; 95 %</b>	Režim načítání Rapidly Settling Turbidity nespĺňuje rozsah spolehlivosti $\geq 95\%$ .	<ul style="list-style-type: none"> <li>Vzorek několikrát obraťte dnem vzhůru, aby se pevné látky mohly rozprostřít. Načítání znovu opakujte.</li> <li>Přepněte do Normálního režimu načítání, jestliže je vzorek stabilní a neobsahuje pevné látky, které se mohou usazovat.</li> </ul>
<b>Hodnota standardu mimo rozsah. Vložte standard a stiskněte Načítání</b>	K načítání použita nesprávná hodnota standardu.	Vložte vhodný standard a načítejte znovu.
<b>ID se již používá. Zadejte nové ID</b>	ID obsluhy a ID vzorku není dostupné, protože je již přiděleno.	Vytvořte nové ID.
<b>Chyba - Bezpečnost. Nastate před aktivací bezpečnosti prosím heslo</b>	Nebylo vytvořeno žádné heslo.	Vytvořte nové heslo.
<b>Zadejte prosím nejméně jeden znak.</b>	Heslo musí obsahovat minimálně jeden znak.	Vytvořte heslo, které má nejméně jeden znak.

Chyba/varování	Popis	Řešení
<b>Heslo je nesprávné. Zkuste to prosím znovu.</b>	Bylo zadáno nesprávné heslo.	Zadejte správné heslo.
<b>Odpojte prosím kabel USB od svého počítače.</b>	Paměť pro ukládání dat neodpovídá během připojení měřidla a počítače.	Odpojte kabel USB od měřidla a zkuste znovu odesílat data.
<b>USB modul má plnou paměť. Data vymažte a zkuste to znovu.</b>	Paměť pro ukládání dat je plná.	<ol style="list-style-type: none"> <li>K počítači připojte USB/napájecí modul.</li> <li>Stáhněte uložená data do počítače.</li> <li>Vymažte datový protokol na modulu.</li> </ol>

Chyba/varování	Popis	Řešení
<b>Vymazání posledního načítání selhalo!</b>	Chyba při ukládání dat.	Vypněte a znovu zapněte měřidlo. Pokud chybové hlášení přetrvává, kontaktujte Technickou podporu.
<b>Vymazání datového protokolu selhalo!</b>		
<b>Nemůže načíst množinu dat!</b>		
<b>Nemůže ukládat data!</b>		
<b>Nemůže ukládat do protokolu měření!</b>		
<b>Nemůže ukládat do protokolu ověření kalibrace!</b>		
<b>Chyba při ukládání dat!</b>		
<b>Chyba při načítání dat!</b>		

## Indholdsfortegnelse

- |   |   |
|---|---|
| 1 <a href="#">Specifikationer</a> på side 116                 | 5 <a href="#">Startup (Opstart)</a> på side 122 |
| 2 <a href="#">Generelle oplysninger</a> på side 117           | 6 <a href="#">Standardbetjening</a> på side 123 |
| 3 <a href="#">Installation</a> på side 120                    | 7 <a href="#">Udvidet betjening</a> på side 123 |
| 4 <a href="#">Brugergrænseflade og navigation</a> på side 121 | 8 <a href="#">Vedligeholdelse</a> på side 125   |
|   | 9 <a href="#">Fejlsøgning</a> på side 129       |

## Sektion 1 Specifikationer

Specifikationer kan ændres uden varsel.

Specifikation	Detaljer
Målemetode	Ratioturbidimetrisk bestemmelse ved brug af et primært nefelometrisk lysspredningssignal (90°) til det transmitterede lysspredningssignal.
Regulatorisk	<b>2100Q</b> : opfylder EPA-metode 180.1
Lyskilde	<b>2100Q</b> : Tungsten filamentdiode <b>2100Qis</b> : Lysemitterende diode (LED)
Interval	0–1000 NTU (FNU)
Nøjagtighed	±2% af læsning plus strølyls fra 0–1000 NTU (FNU)
Repetérbarhed	±1% af læsning eller 0,01 NTU (FNU), alt efter hvilken der er størst
Opløsning	0,01 NTU på laveste interval
Strølyls	≤ 0,02 NTU (FNU)
Signaludligning	Aktiveres eller deaktiveres
Detektor	Fotodiode af silikone
Overspændingskategori	II

Specifikation	Detaljer
Højde	2000 m maksimum
Læsetilstande	Normal (Tryk for at læse), Signaludligning eller Rapidly Settling Turbidity
Kalibreringsindstillinger	Single step RapidCal til regulatorisk rapportering på lavt niveau fra 0–40 NTU (FNU) Kalibrering af fuldt interval fra 0–1000 NTU (FNU) Kalibrering til grader af turbiditet
Kalibreringslog	Registrerer de seneste 25 gennemførte kalibreringer
Verifikationslog	Logger de seneste 250 gennemførte verifikationer
Datalogger	500 registreringer
Strømkraft	Batteridrevet: Maksimum 6 VDC (4 NiMH 1,2 V AA-batterier eller 4 alkaliske 1,5 V AA-batterier) Ekstern strømforsyning: 100-240 VAC ± 10%; udgang 5 W (9 VDC, maks. 600 mA)
Driftsbetingelse	Temperatur: 0 til 50 °C (32 til 122 °F) Relativ luftfugtighed: 0–90% ved 30 °C, 0–80% ved 40 °C, 0–70% ved 50 °C, ikke-kondenserende
Opbevaring	–40 til 60 °C (–40 til 140 °F), kun instrument
Interface	Valgfri USB
Prøvemængde	15 mL
Kuvetter	Runde kuvetter 60 x 25 mm (2.36" x 1") borosilikatglas med skrueåbning
Dimensioner	22.9 x 10.7 x 7.7 cm (9.0 x 4.2 x 3.0")
Vægt	530 g uden batterier 620 g med fire AA alkaliebatterier

Specifikation	Detaljer
Kapslingsklasse	IP67 (lukket låge, batteri- og modulrum ikke medregnet)
Beskyttelsesklasse	2100Q/is: Klasse III Strømforsyning: Klasse II
Forureningsgrad	2
Miljømæssige forhold	Indendørs og udendørs brug
Certificering	CE-certificeret
Garanti	1 år (EU: 2 år)

## Sektion 2 Generelle oplysninger

Producenten kan under ingen omstændigheder holdes ansvarlig for direkte, indirekte, specielle, hændelige eller følgeskader der opstår på baggrund af en defekt eller udeladelse i denne vejledning. Producenten forbeholder sig ret til når som helst at foretage ændringer i denne manual og de beskrevne produkter uden varsel eller forpligtelser. Reviderede udgaver kan findes på producentens webside.

### 2.1 Sikkerhedsoplysninger

Producenten er ikke ansvarlig for eventuelle skader på grund af forkert anvendelse eller misbrug af dette produkt, herunder uden begrænsning direkte skader, hændelige skader eller følgeskader, og fraskriver sig ansvaret for sådanne skader i det fulde omfang, som tillades ifølge gældende lov. Kun brugeren er ansvarlig for at identificere alvorlige risici ved anvendelsen og installere relevante mekanismer til beskyttelse af processerne i forbindelse med en eventuel fejl på udstyret.

Læs hele manualen inden udpakning, installation eller betjening af dette udstyr. Overhold alle sikkerhedshenvisninger og advarsler. Undladelse heraf kan medføre, at brugeren kommer alvorligt til skade, eller det kan medføre beskadigelse af analysatoren.

Kontroller, at den beskyttelse, som dette udstyr giver, ikke forringes. Du må ikke bruge eller installere dette udstyr på nogen anden måde end den, der er angivet i denne manual.

### 2.2 Brug af sikkerhedsoplysninger

#### ▲ FARE

Angiver en eventuel eller overhængende farlig situation, der vil medføre dødsfald eller alvorlige kvæstelser, hvis den ikke undgås.

#### ▲ ADVARSEL

Angiver en potentiel eller umiddelbart farlig situation, som kan resultere i død eller alvorlig tilskadekomst, hvis den ikke undgås.

#### ▲ FORSIGTIG




Indikerer en potentiel farlig situation, der kan resultere i mindre eller moderat tilskadekomst.

#### BEMÆRKNING

Angiver en situation, der kan medføre skade på instrumentet, hvis ikke den undgås. Oplysninger, der er særligt vigtige.

### 2.3 Sikkerhedsmærkater

Læs alle skilte og mærkater, som er placeret på apparatet. Der kan opstå person- eller instrumentskade, hvis forholdsreglerne ikke respekteres. I håndbogen refereres der til et symbol på instrumentet med en forholdsreglerklæring.

	Dette er sikkerhedsalarmsymbolet. Overhold alle sikkerhedsmeddelelser, der følger dette symbol, for at undgå potentiel kvæstelse. Se brugsanvisningen vedrørende drifts- eller sikkerhedsoplysninger, hvis det vises på instrumentet.
	Dette symbol angiver, at der er risiko for elektrisk stød og/eller dødsfald pga. elektrisk stød.
	Elektrisk udstyr mærket med dette symbol må, i Europa, ikke bortskaffes i sammen med husholdningsaffald eller offentligt affald. Returner gammelt eller udtjent udstyr til producenten til bortskaffelse uden gebyr.

## 2.4 Overholdelse og certificering

### ▲ FORSIGTIG

Dette udstyr er ikke beregnet til brug i boligmiljøer og muliggør ikke tilstrækkelig beskyttelse mod radiomodtagelse i sådanne omgivelser.

#### Canadian Radio Interference-Causing Equipment Regulation, IEC5-003, Klasse A:

Producenten opbevarer understøttende testfortegnelser.

Dette Klasse A digitale apparat opfylder alle krav i the Canadian Interference-Causing Equipment Regulations.

Cet appareil numérique de classe A répond à toutes les exigences de la réglementation canadienne sur les équipements provoquant des interférences.

#### FCC del 15, klasse "A" grænser

Producenten opbevarer understøttende testfortegnelser. Enheden overholder Afs. 15 i FCC's regelsæt. Anvendelsen er underlagt følgende betingelser:

1. Udstyret må ikke forårsage skadelig interferens.
2. Udstyret skal acceptere modtaget interferens, hvilket omfatter interferens, der kan forårsage uønsket drift.

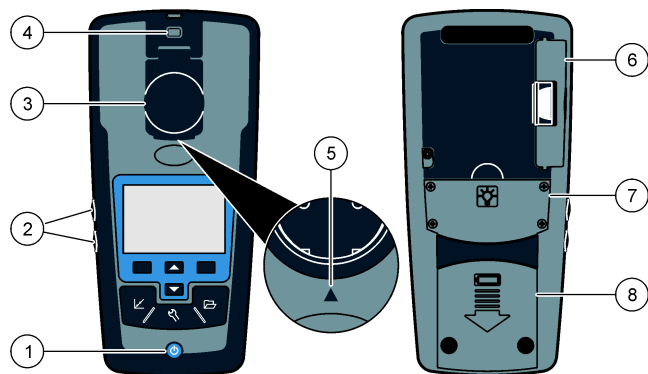
Ændringer og modifikationer af dette udstyr, som ikke er udtrykkeligt godkendt af den part, som er ansvarlig for overholdelsen, kan ophæve brugerens ret til at betjene udstyret. Dette udstyr er blevet testet og overholder grænserne for Klasse A digitalt udstyr i overensstemmelse med Afs. 15 af FCC's regelsæt. Disse grænser er udformet til at yde rimelig beskyttelse mod skadelig interferens, når udstyret betjenes i et kommercielt miljø. Dette udstyr genererer, bruger og kan udsende radiofrekvensenergi og kan, hvis det ikke installeres og anvendes i overensstemmelse med brugervejledningen, forårsage skadelige interferens for radiokommunikationer. Anvendelse af dette udstyr i et beboelsesområde vil sandsynligvis forårsage skadelig interferens, i hvilket tilfælde brugeren skal udbedre interferensen for egen regning. Følgende teknikker kan anvendes til at reducere problemer med interferens:

1. Afbryd udstyret fra strømkilden for at kontrollere, om det er kilden til interferensen.
2. Hvis udstyret er forbundet til den samme stikkontakt som den enhed der oplever interferensen, skal udstyret forbindes til en anden stikkontakt.
3. Flyt udstyret væk fra den enhed, som modtager interferensen.
4. Indstil modtageantennen på den enhed, der modtager interferens, igen.
5. Prøv kombinationer af ovennævnte.

## 2.5 Produktoversigt

2100Q og 2100Qis er bærbare turbiditetsmålere, som kan måle turbiditet fra 0 til 1000 NTU (FNU). Den transportable måler er primært til feltbrug og drives af fire AA batterier. (Data kan lagres og overføres til en printer, computer eller USB-lagringsenhed.

**Figur 1 Produktoversigt**

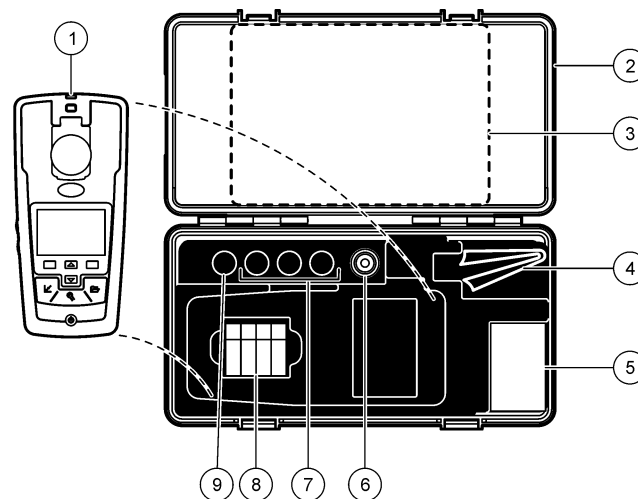


1 Tænd og sluk	5 Justeringspil
2 (Taster med baggrundslys (+ og -))	6 Modul
3 Prøvecelleholder med låg	7 Dioderum (lyskilde)
4 Fastgørelsesanordning til snor	8 Batterirum

## 2.6 Produktkomponenter

Se [Figur 2](#) for at sikre, at alle komponenter er modtaget. I tilfælde af mangler og skader skal man straks henvende sig til producenten eller en forhandler.

**Figur 2 2100Q og 2100Q's komponenter**



1 2100Q og 2100Q's turbiditetsmålere	6 Silikoneolie
2 Bæretaske	7 20, 100 og 800 NTU StablCal-kalibreringsstandarder
3 Brugerhåndbog og hurtigvejledning	8 AA alkaliebatterier (pk/4)
4 Smøreklud	9 StablCal 10 NTU-verifikationsstandard
5 1" prøvecelle (10 mL) med hætte (pk/6)	

## Sektion 3 Installation

### ▲ FORSIGTIG



Flere risici. Kun kvalificeret personale må udføre de opgaver, som er beskrevet i dette afsnit i dokumentet.

### 3.1 Isætning af batterier

#### ▲ ADVARSEL



Eksplodingsfare. Et udløbet batteri kan medføre, at der samles hydrogengas inde i instrumentet. Udskift batteriet, før det udløber. Opbevar ikke instrumentet i lange perioder med batteri i.

#### ▲ ADVARSEL

Risiko for brand. Brug kun alkaline eller nikkel-metal hybridbatterier i måleren. Andre batterityper eller forkert installation kan forårsage brand. Brug aldrig forskellige batterier til måleren.

#### BEMÆRKNING

Batterirummet er ikke vandsikkert. Hvis batterirummet bliver vådt, skal batterierne tages ud og tørres, og indersiden af rummet skal tørres. Kontroller batteriets kontaktflader for rust og rengør dem om nødvendigt.

#### BEMÆRKNING

Bemærk: Når der anvendes nikkelmetalhybridbatterier, vil batteriikonet ikke angive en fuld opladning, når der er isat friskopladede batterier (NiMH-batterier er 1,2 V ift. 1,5 V for alkalinebatterier). Selvom ikonet ikke angiver en komplet opladning, vil 2300 mAh NiMH-batterierne opnå 90 % af instrumentets driftstid (før genopladning) ift. nyt alkalinebatterier.

#### BEMÆRKNING

For at undgå at måleren bliver skadet af utætte batterier skal de fjernes, hvis måleren ikke skal anvendes i længere tid.

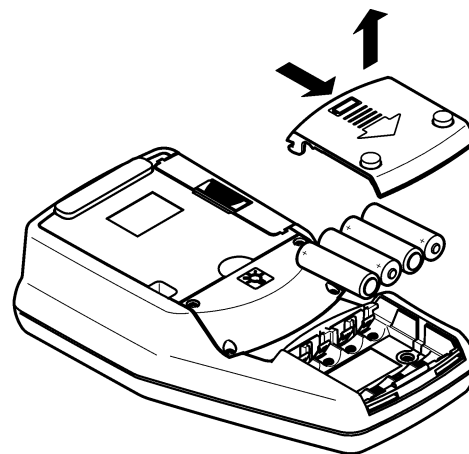
Måleren kan drives af AA Alkaline-batterier eller genopladelige NiMH-batterier. For at spare på batteriets levetid, slukker måleren efter 10 minutter uden aktivitet og baggrundslyset slukker efter 30 sekunder. Dette tidsinterval kan ændres i menuen Strømstyring.

**BEMÆRK:** Genopladelige batterier vil kun blive genopladet med USB/strømmodulet. Se yderligere oplysninger i modulets dokumentation.

Se [Figur 3](#) for isætning af batterier.

1. Fjern batteridækslet.
2. Isæt fire AA alkaline eller 4 AA nikkel-metal hybridbatterier. Sørg for at batterierne vender rigtigt.
3. Sæt batteridækslet på igen.

**Figur 3** Isætning af batterier

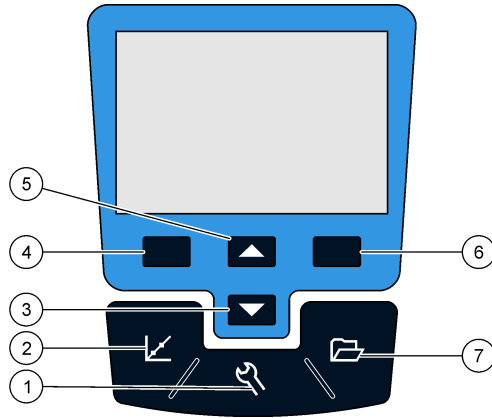




## Sektion 4 Brugergrenseflade og navigation

### 4.1 Brugergrenseflade

Figur 4 Beskrivelse af tastatur

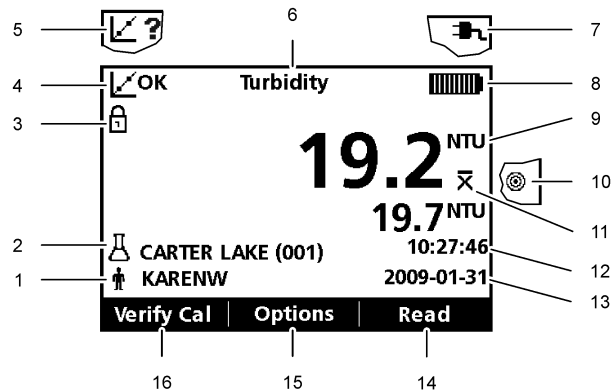


1 Tasten <b>INDSTILLINGER</b> : vælg menuvalg til indstilling af måleren	5 Tasten <b>OP</b> kører gennem menuer, indtaster tal og bogstaver
2 Tasten <b>KALIBRERING</b> : åbner kalibreringsmenuen, start kalibrering, vælg kal. indstillinger	6 Tasten <b>HØJRE</b> (kontekstuel): læs turbiditetsprøve, vælger eller bekræfter indstillinger, åbner/springer til undermenuer
3 Tasten <b>NED</b> : kører gennem menuer, indtaster tal og bogstaver	7 <b>DATASTYRING</b> viser, sletter eller overfører gemte data
4 Tasten <b>VENSTRE</b> (kontekstuel): adgang til kalibreringsverifikation, annullerer eller lukker den aktuelle menuskærm til den forrige menuskærm	

### 4.2 Skærmbeskrivelse

Målemenuen viser turbiditeten, enheden, kalibreringsstatus, dato og tidspunkt, operatør-ID (hvis oprettet) og prøve-ID (hvis oprettet). Se [Figur 5](#).

Figur 5 Enkeltskærmsvisning



1 Operatøridentifikation	9 NTU (nefelometrisk turbiditetsenhed) eller FNU (Formazin-turbiditetsenhed)
2 Prøveidentifikation	10 Læsetilstand: Hurtigindstilling af turbiditet (målikon)
3 Indikator for stabilitets- eller displaylås	11 Læsetilstand: signalgennemsnit (X-bar ikon)
4 Indikator for kalibreringsstatus (Kalibrering OK = godkendt)	12 Tid
5 Indikator for kalibreringsstatus (Kalibrering ? = mislykkedes)	13 Dato
6 Parameteritel	14 Læs (kontekstuel: OK, Vælg)
7 Ledningsnet ikon	15 Indstillinger (kontekstuel)
8 Batteriikon	16 Kalibreringsverifikation


### 4.3 Navigering

Måleren indeholder en Indstillingsmenu, menu til Læserindstillinger, menu til Kalibreringsindstillinger og menu til indstilling af Kalibreringsverifikation, hvor de forskellige indstillinger kan ændres. Brug tasterne **OP** og **NED** til at markere de forskellige indstillinger. Tryk på tasterne **HØJRE** for at vælge en indstilling. Indstillinger kan ændres på to måder:

1. Vælg en indstilling fra en liste: Brug tasterne **OP** og **NED** til at vælge en indstilling. Hvis afkrydsningsfelterne vises, kan der vælges mere end én indstilling. Tryk på tasterne **VENSTRE** under Fravælg.  
***BEMÆRK:** Afkrydsningsfelterne fravælges ved at trykke på tasterne **VENSTRE** under Fravælg.*
2. Indtast en indstillingsværdi med piletasterne:  
Tryk på tasterne **OP** og **NED** for at indtaste eller ændre en værdi.
3. Tryk på tasterne **HØJRE** for at gå videre til næste plads.
4. Tryk på tasterne **HØJRE** under **OK** for at acceptere værdien.

## Sektion 5 Startup (Opstart)

### 5.1 Tænd og sluk instrumentet

 Tryk på **ON/OFF**-tasterne for at tænde eller slukke måleren. (Hvis måleren ikke tænder, skal det kontrolleres, at batterierne, eller modulet, er installeret korrekt eller at AC-strømforsyningen er korrekt forbundet til en el-kontakt.

***BEMÆRK:** Funktionen Automatisk nedlukning kan også anvendes til at slukke for instrumentet. Der er yderligere oplysninger på forhandlerens hjemmeside.*

### 5.2 Ændring af sprog

Sprog kan indstilles på tre måder:

- Skærmsproget vælges, når måleren tændes for første gang.
- Skærmsproget vælges, når strømknappen trykkes og holdes inde.
- Sproget kan ændres fra menuen Indstillinger.

1. Vælg et sprog fra listen. Bekræft med **OK**.
2. Tryk på **Afslut** når opdateringen er udført.

### 5.3 Ændring af dato og tid

Dato og tidspunkt kan ændres i menuen Dato og tid

1. Tryk på knappen **INDSTILLINGER** og vælg Dato og tid.
2. Opdater tids- og datoinformationerne:

Mulighed	Beskrivelse
<b>Format</b>	Vælg et af formaterne til dato og tidspunkt: åååå-mm-dd 24t åååå-mm-dd 12t dd-mm-åååå 24t dd-mm-åååå 12t mm/dd/åååå 24t mm/dd/åååå 12t
<b>Dato</b>	Indtast den aktuelle dato
<b>Tid</b>	Indtast det aktuelle tidspunkt

Den aktuelle dato og tidspunkt vises på skærmen.

Efter opsætning af dato og tidspunkt, er måleren klar til at foretage en måling.

## Sektion 6 Standardbetjening

### 6.1 Brug af prøve-ID

Prøve-ID'et anvendes til at associere læsninger med en bestemt prøveplacering. Hvis det tildeles, vil gemte data inkludere dette ID.

1. Vælg **Prøve-ID** i menuen Indstillinger.

2. Vælg, opret eller slet et Prøve-ID:

Mulighed	Beskrivelse
<b>Aktuelt ID</b>	Vælg et ID fra en liste. Det aktuelle ID vil blive knyttet til prøvedata, indtil der vælges et andet ID.
<b>Opret et nyt prøve-ID</b>	Indtast et navn på et nyt prøve-ID.
<b>Slet Prøve-ID</b>	Slet et eksisterende prøve-ID.

### 6.2 Brug af et operatør-ID

Operatør-ID'et knytter læsninger til en individuel operatør. Alle lagrede data vil indeholde dette ID.

1. Vælg **Operatør-ID** i menuen Indstillinger.
2. Vælg, opret eller slet et operatør-ID:

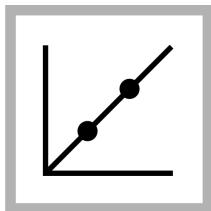
Mulighed	Beskrivelse
<b>Aktuelt ID</b>	Vælg ID'et på en liste. Det aktuelle ID knyttes til prøvedata, indtil der vælges et andet ID.
<b>Opret et nyt Operatør-ID</b>	Indtast navnet på et nyt operatør-ID (der kan højst indtastes 10 navne).
<b>Slet operatør-ID</b>	Sletter et operatør-ID.

## Sektion 7 Udvidet betjening

### 7.1 Kalibrer turbiditetsmåleren med StabCal standarder

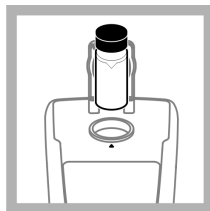
**BEMÆRK:** *Opnå den største nøjagtighed ved at bruge prøvecellen eller fire matchede prøveceller til alle målinger under kalibrering. Indsæt prøvecellen i*

instrumenters cellerum, således at diamant- eller orienteringsmarkeringerne flugter med det hævede orienteringsmærke foran på cellerummet.

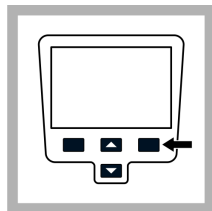


1. Tryk på tasten **KALIBRERING** for at åbne Kalibreringstilstand. Følg vejledningen på skærmen.

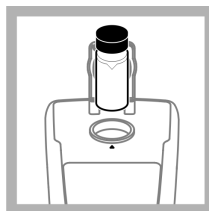
**BEMÆRK:**  
Vend/inverter forsigtigt hver standard før standarden indsættes.



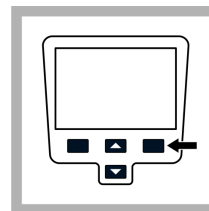
2. Indsæt 20 NTU StablCal-standarden og luk låget.  
**BEMÆRK:**  
Standarden, der skal indsættes, er forsynet med kanter.



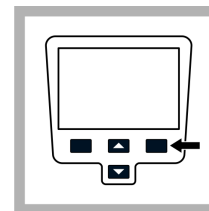
3. Tryk på **Læs**. Skærmen viser meddelelsen, Stabiliserer, og viser derefter resultatet.



4. Gentag trin 2 og 3 med 100 NTU og 800 NTU StablCal Standarderne.  
**BEMÆRK:** Tryk på **Afslut** for at udføre en 2-punktskalibrering.



5. Tryk på **Afslut** for at gennemgå kalibreringsoplysningerne.



6. Tryk på **Gem** for at gemme resultaterne. Når en kalibrering er udført, skifter måleren automatisk til tilstanden Bekræft Kal. Der er yderligere oplysninger på forhandlerens hjemmeside.

## 7.2 Læsetilstande

1. Tryk på tasterne **OP** eller **NED** for at åbne menuen Læseindstillinger.
2. Vælg Læsetilstand for at vælge en af følgende muligheder:

Indstilling	Beskrivelse
<b>Normal (Standardindstilling)</b>	Den normale tilstand læser og tager gennemsnit af tre læsninger. Resultatet vises efter læsningen.

## Indstilling

## Beskrivelse

### Signalgennemsnit



Tilstanden Signalgennemsnit kompenserer for svingninger i aflæsningen som forårsages af prøvepartiker, der flyder gennem lysbanen.

X-bar-ikonet vises på skærmen når signaludligningen er aktiveret.

Tilstanden Signalgennemsnit måler 12 gange og begynder at vise gennemsnittet efter tre læsninger. Det endelige resultat er gennemsnittet af alle 12 læsninger.

### Rapidly Settling Turbidity (RST)



Tilstanden Rapidly Settling Turbidity (RST) beregner og opdaterer løbende prøvens turbiditetslæsning til en konfidens på 95 % baseret på den samlede tendens for værdierne målt i realtid.

RST-tilstanden anvendes bedst til prøver, som bundfældes hurtigt, og som hele tiden skifter værdi. Læsningen er baseret på en korrekt klargjort prøve, som er homogen ved begyndelsen af læsningen. Dette gøres bedst til prøver, som er større end 20 NTU. Prøven skal blandes grundigt ved inversion umiddelbart før den sættes i måleren.

Målikonet vises på skærmen når Rapidly Settling Turbidity er aktiveret.

Rapidly Settling Turbidity læser og beregner fem læsninger, mens den viser midlertidige resultater.

## Sektion 8 Vedligeholdelse

### ▲ FORSIGTIG



Flere risici. Kun kvalificeret personale må udføre de opgaver, som er beskrevet i dette afsnit i dokumentet.

### 8.1 Rengøring af måleren

(Måleren er udviklet til at være vedligeholdelsesfri og kræver ikke regelmæssig rengøring ved normal drift. Målerens udvendige flader kan rengøres efter behov.

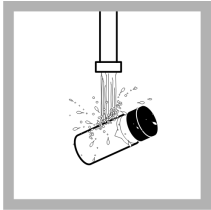
**BEMÆRK:** Måleren må ikke rengøres med opløsningsmidler, da disse kan beskadige materialet.

1. Rengør måleren med en støv- og fnugfri tør eller let fugtet klud. En mild sæbeopløsning kan også anvendes ved fedtkontamineringer.

### 8.2 Påføring af silikoneolie til en prøvecelle

Prøveceller og låg skal være ekstremt rene og må ikke have større ridser Påfør et tyndt lag silikoneolie på ydersiden af prøvecellerne for at maskere mindre ujævnheder og ridser som kan bidrage til lysspredning.

**BEMÆRK:** Brug kun den medleverede silikoneolie. Denne silikoneolie har det samme brydningsindeks som prøvecellens glas



1. Rengør indersiden og ydersiden af cellerne og hætterne med et rengøringsmiddel beregnet til laboratorieglass. Følg efter med flere skylninger med destilleret eller demineraliseret vand.



2. Påfør en lille mængde silikoneolie fra toppen til bunden af cellen.



3. Brug den medleverede smøreklud til at fordele olien jævnt. Tør overskydende olie af, således at der kun er et tyndt olielag tilbage. Sørg for at prøvecellen er næsten tør med kun lidt eller ingen synlig olie.  
**BEMÆRK:** Opbevar smørekluden i en plastpose for at holde den ren.

### 8.3 Opbevaring af prøvecellerne

#### BEMÆRKNING

Prøveceller må ikke lufttørres.

**BEMÆRK:** Prøvecellerne skal altid opbevares med hvide hætter på for at sikre, at cellerne ikke tørrer ud.

1. Fyld prøvecellerne med destilleret eller demineraliseret vand.
2. Sæt låg på prøvecellerne og stil dem til opbevaring.
3. Aftør ydersiden af prøvecellerne med en blød klud.

### 8.4 Udskiftning af batteriet

#### ⚠ ADVARSEL



Eksplodingsfare. Et udløbet batteri kan medføre, at der samles hydrogengas inde i instrumentet. Udskift batteriet, før det udløber. Opbevar ikke instrumentet i lange perioder med batteri i.

#### ⚠ ADVARSEL

Risiko for brand. Brug kun alkaline eller nikkel-metal hybridbatterier i måleren. Andre batterityper eller forkert installation kan forårsage brand. Brug aldrig forskellige batterier til måleren.

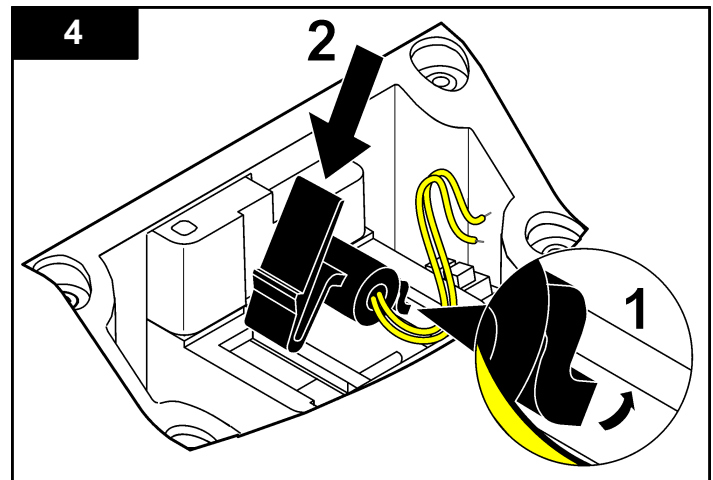
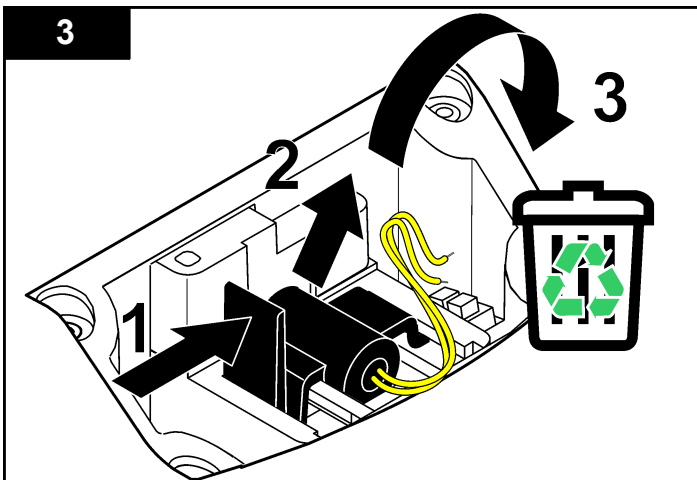
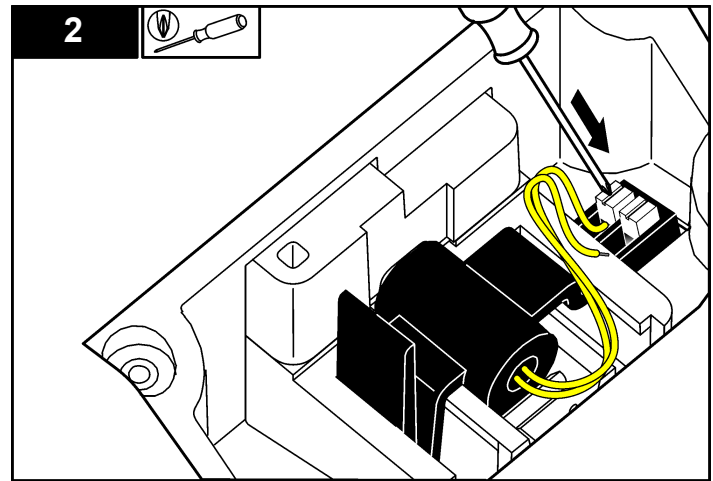
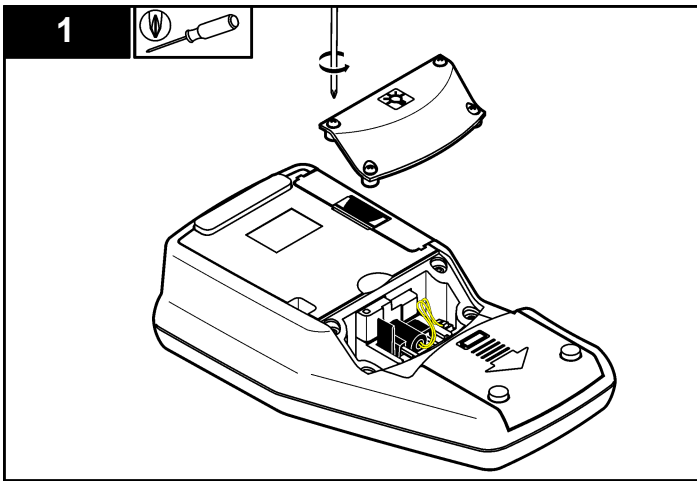
Se [Isætning af batterier](#) på side 120 for udskiftning af batterier.

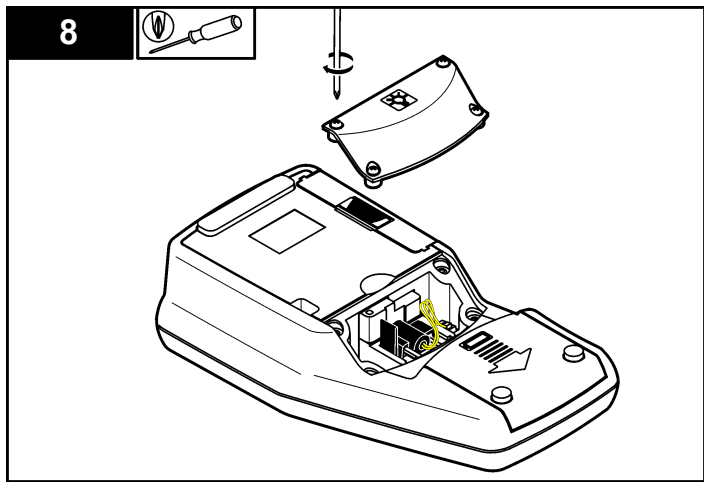
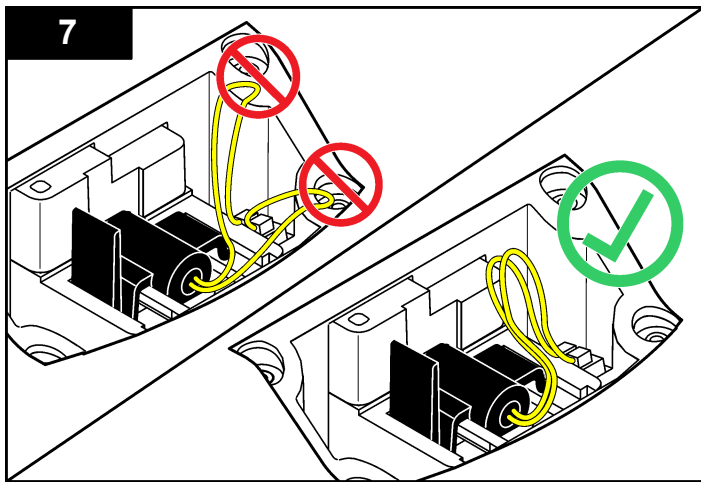
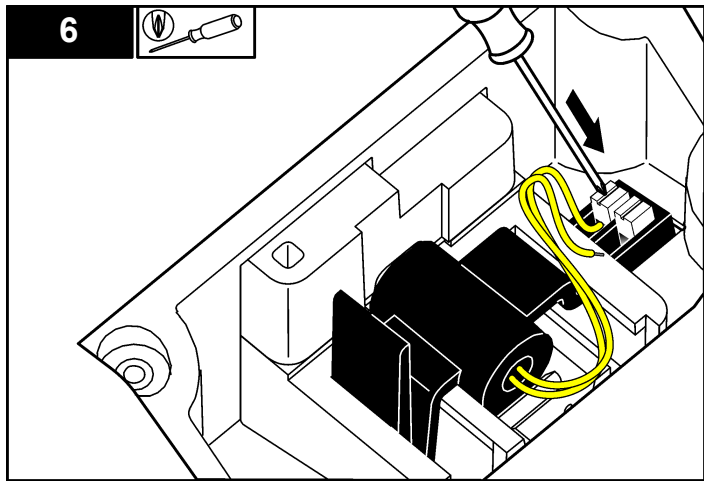
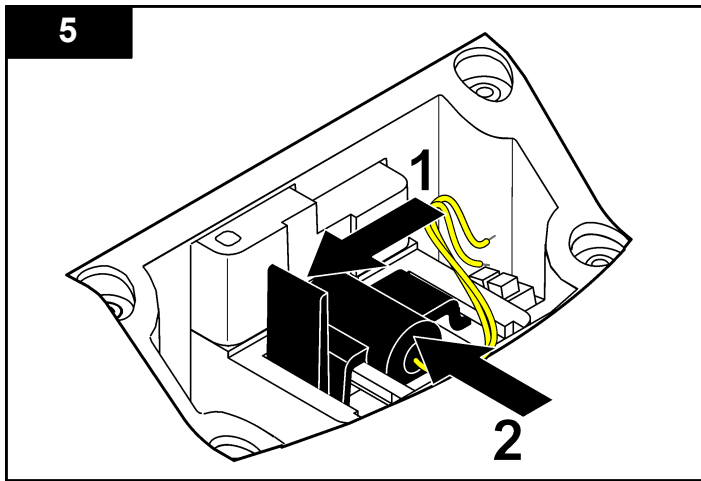
1. Fjern batteridækslet.
2. Fjern batterierne.
3. Isæt fire AA alkaline eller 4 AA nikkel-metal hybridbatterier. Sørg for at batterierne vender rigtigt.
4. Sæt batteridækslet på igen.

### 8.5 Udskiftning af dioder

#### ⚠ FORSIGTIG

Brændsårfare. Vent, indtil lampen køler af. Kontakt med den varme lampe kan forårsage brandsår.







## Sektion 9 Fejlsøgning

I følgende tabel vises almindelige fejlmeddelelser og -symptomer, mulige årsager og udbedrende handlinger.

Fejl/Advarsel	Beskrivelse	Løsning
<b>Luk låget og tryk på Læs.</b>	Låget er åbent eller registrering af låg mislykkedes.	Sørg for at låget er lukket under læsning og genlæsning.
<b>Lavt batteriniveau!</b>	Batteriniveauet er lavt.	<ul style="list-style-type: none"> <li>• Isæt nye batterier</li> <li>• Tilslut USB/strømmodulet hvis der anvendes genopladelige batterier</li> </ul>
<b>ADC-fejl!</b>	Hardwarefejl fik læsningen til at mislykkes.	Gentag læsningen.
<b>Detektorens signal er for svagt!</b>	Utilstrækkeligt lys på 180° detektoren.	<ul style="list-style-type: none"> <li>• Kontroller om lyslinjen forstyrres.</li> <li>• Kontroller dioden.</li> </ul>
<b>Over interval!</b>	Turbiditeten er for høj - sandsynligvis forårsaget af kalibrering med RapidCal alene.	<ul style="list-style-type: none"> <li>• Kalibrer det øverste interval.</li> <li>• Fortynd prøven.</li> </ul>
<b>Underinterval!</b>	Den målte absorbans er under kalibreringsintervallet.	Gentag kalibreringen

Fejl/Advarsel	Beskrivelse	Løsning
<b>Kontroller dioden!</b>	Signalerne på 90° og 180° detektoren er for svage.	<p><b>2100Q:</b> dioden er defekt. Udskift dioden (se under <a href="#">Udskifning af dioder</a> på side 126).</p> <p><b>2100Qis:</b> kontakt teknisk support.</p>
<b>Temperaturen er for høj! Sluk for instrumentet.</b>	Temperaturen har overskredet målerens grænser (>60 °C eller >140 °F).	Sluk for måleren og lad den køle af.
<b>RST: gennemsnitsværdi!</b>	Tørstoffet bundfældes for hurtigt! Læsetilstanden er ikke egnet til denne prøve.	Vælg læsetilstanden Normal eller Signalgennemsnit.
<b>Konfidensniveauet er &lt; 95%</b>	Læsningsstilstanden Rapidly Settling Turbidity opfyldte ikke intervallet på ≥ 95% konfidens.	<ul style="list-style-type: none"> <li>• Inverter prøven adskillige gange, så tørstoffet allokeres. Foretag læsningen igen.</li> <li>• Skift til den normale læsetilstand, hvis prøven er stabil og ikke indeholder tørstof, der kan bundfældes.</li> </ul>
<b>Standardværdi er uden for interval. Indsæt stadard og tryk på Læs</b>	Anvendte forkert standardværdi til læsningen.	Indsæt den korrekte standard og læs igen.

Fejl/Advarsel	Beskrivelse	Løsning
<b>ID'et anvendes allerede. Indtast nyt ID</b>	Operatør- eller prøve-ID er ikke tilgængeligt, da det allerede er i brug.	Opret et nyt ID.
<b>Fejl - Sikkerhed - Angiv venligst password før sikkerheden aktiveres</b>	Der er ikke oprettet noget password.	Opret et nyt password.
<b>Indtast mindst ét tegn.</b>	Passwordet skal indholde mindst et tegn.	Opret et password på mindst ét tegn.
<b>Forkert password. Prøv igen.</b>	Der blev indtastet et forkert password.	Indtast det korrekte password.
<b>Træk USB-kablet ud af computeren.</b>	Datalagring reagerer ikke, mens det er sluttet til måleren og computeren.	Kobl USB-kablet fra måleren og prøv at sende data igen.
<b>USB-modulets hukommelse er fuld. Slet data og forsøg igen.</b>	Datalagring er fuld.	<ol style="list-style-type: none"> <li>1. Forbind USB/strømmodulet til computeren.</li> <li>2. Download de lagrede data til computeren.</li> <li>3. Slet dataloggen på modulet.</li> </ol>

Fejl/Advarsel	Beskrivelse	Løsning
<b>Sletning af seneste læsning mislykkedes!</b>	Fejl under datalagringen.	Sluk for måleren og tænd den igen. Hvis fejlmeddelelsen stadig vises, skal du kontakte teknisk support.
<b>Sletning af datalog mislykkedes!</b>		
<b>Kan ikke læse datasæt!</b>		
<b>Kan ikke lagre data!</b>		
<b>Kan ikke gemme i Læseloggen!</b>		
<b>Kan ikke lagre i loggen Bekræft Kal!</b>		
<b>Fejl under datalagring!</b>		
<b>Fejl under datalæsning!</b>		

## Inhoudsopgave

- |  |  |
|--|--|
| 1 Specificaties op pagina 131                    | 6 Standaardbediening op pagina 138     |
| 2 Algemene informatie op pagina 132              | 7 Geavanceerde bediening op pagina 139 |
| 3 Installatie op pagina 135                      | 8 Onderhoud op pagina 140              |
| 4 Gebruikersinterface en navigatie op pagina 136 | 9 Problemen oplossen op pagina 145     |
| 5 Opstarten op pagina 137                        |  |

## Hoofdstuk 1 Specificaties

Specificaties kunnen zonder kennisgeving vooraf worden gewijzigd.

Specificatie	Details
Meetprincipe	Nefelometrische troebelheidsmeting op basis van ratiotechniek met een meting bij 90° (verstrooiing) en 180° (uitgezonden licht).
Normen	<b>2100Q:</b> voldoet aan de EPA-methode 180.1
Lichtbron	<b>2100Q:</b> lamp met wolframdraad <b>2100Qis:</b> licht emitterende diode (LED)
Meetbereik	0–1000 NTU (FNU)
Nauwkeurigheid	±2% van meting + strooilicht van 0–1000 NTU (FNU)
Herhaalbaarheid	±1% van meting of 0,01 NTU (FNU), wat groter is
Resolutie	0,01 NTU op laagste bereik
Strooilicht	≤ 0,02 NTU (FNU)
Signaalgemiddelde	Keuze, aan of uit
Detector	Siliconen fotodiode

Specificatie	Details
Overspanning categorie	II
Hoogte	2000 m (6562 ft) maximaal
Meetmodi	Normaal (druk om te meten), signaalgemiddelde of Rapidly Settling Turbidity
Kalibratie-opties	Een-staps RapidCal voor lage troebelheid vanaf 0–40 NTU (FNU) Kalibratie volledig bereik vanaf 0–1000 NTU (FNU) Kalibratie tot graden van troebelheid
Kalibratiedatolog	Neemt de laatste 25 succesvolle kalibraties op
Controledatolog	Neemt de laatste 25 succesvolle controles in het logboek op
Datalogger	500 records
Voeding	Batterijvoeding: maximaal 6 VDC (4 NiMH 1,2 V AA-batterijen of 4 alkaline 1,5 V AA-batterijen) Externe voeding: 100–240 VAC ± 10%; uitgang 5 W (9 VDC, 600 mA maximaal)
Gebruikscondities	Temperatuur: 0 tot 50 °C (32 tot 122 °F) Relatieve vochtigheid: 0–90% bij 30 °C, 0–80% bij 40 °C, 0–70% bij 50 °C, niet-condenserend
Opslagcondities	–40 tot 60 °C (–40 tot 140 °F), alleen instrument
Interface	Optioneel USB
Monstervolume	15 mL (0,5 oz.)
Kuvetten	Ronde kuvetten 60 x 25 mm (2.36 x 1 in.) borosilicaatglas met schroefdoppen

Specificatie	Details
Afmetingen	22.9 x 10.7 x 7.7 cm (9.0 x 4.2 x 3.0 inch)
Gewicht	530 g (1.17 lb) zonder batterijen 620 g (1,37 lb) met vier AA alkaline batterijen
Afdichtingsgraad	IP67 (bij gesloten deksel, afgezonderd van de compartimenten voor de batterijen en de optionele modules)
Beschermingsklasse	2100Q/is: Klasse III Netspanningsadapter: klasse II
Vervuilinggraad	2
Omgevingscondities	Gebruik binnen en buiten
Certificering	CE gecertificeerd
Garantie	1 jaar (EU: 2 jaar)

## Hoofdstuk 2 Algemene informatie

De fabrikant kan onder geen enkele omstandigheid aansprakelijk worden gesteld voor directe, indirecte, speciale, incidentele of continue schade die als gevolg van enig defect of onvolledigheid in deze handleiding is ontstaan. De fabrikant behoudt het recht om op elk moment, zonder verdere melding of verplichtingen, in deze handleiding en de producten die daarin worden beschreven, wijzigingen door te voeren. Gewijzigde versies zijn beschikbaar op de website van de fabrikant.

### 2.1 Veiligheidsinformatie

De fabrikant is niet verantwoordelijk voor enige schade door onjuist toepassen of onjuist gebruik van dit product met inbegrip van, zonder beperking, directe, incidentele en gevolgschade, en vrijwaart zich volledig voor dergelijke schade voor zover dit wettelijk is toegestaan.

Uitsluitend de gebruiker is verantwoordelijk voor het identificeren van kritische toepassingsrisico's en het installeren van de juiste mechanismen om processen te beschermen bij een mogelijk onjuist functioneren van apparatuur.

Lees deze handleiding voor het uitpakken, installeren of gebruiken van het instrument. Let op alle waarschuwingen. Wanneer u dit niet doet, kan dit leiden tot ernstig persoonlijk letsel of schade aan het instrument.

Controleer voor gebruik of het instrument niet beschadigd is. Het instrument mag op geen andere wijze gebruikt worden dan als in deze handleiding beschreven.

### 2.2 Gebruik van gevareninformatie

#### **▲ GEVAAR**

Geeft een potentieel gevaarlijke of dreigende situatie aan die, als deze niet kan worden voorkomen, kan resulteren in dodelijk of ernstig letsel.

#### **▲ WAARSCHUWING**

Geeft een potentieel of op handen zijnde gevaarlijke situatie aan, die als deze niet wordt vermeden, kan leiden tot de dood of ernstig letsel.

#### **▲ VOORZICHTIG**




Geeft een mogelijk gevaarlijke situatie aan die kan resulteren in minder ernstig letsel of lichte verwondingen.

#### **LET OP**

Duidt een situatie aan die (indien niet wordt voorkomen) kan resulteren in beschadiging van het apparaat. Informatie die speciaal moet worden benadrukt.

### 2.3 Waarschuwingslabels

Lees alle labels en etiketten die op het instrument zijn bevestigd. Het niet naleven van deze waarschuwingen kan leiden tot letsel of beschadiging van het instrument. In de handleiding wordt door middel van een veiligheidsvoorschrift uitleg gegeven over een symbool op het instrument.

	Dit is het symbool voor veiligheidswaarschuwingen. Volg alle veiligheidsberichten op die after dit symbool staan, om mogelijk letsel te voorkomen. Als u dit symbool op het apparaat ziet, moet u de instructiehandleiding raadplegen voor informatie over de werking of veiligheid.
	Dit symbool geeft aan dat er een risico op een elektrische schok en/of elektrocutie bestaat.
	Elektrische apparatuur gemarkeerd met dit symbool mag niet worden afgevoerd via Europese systemen voor afvoer van huishoudelijk of openbaar afval. Oude apparatuur of apparatuur aan het einde van zijn levensduur kan naar de fabrikant worden geretourneerd voor kosteloze verwerking.

## 2.4 Naleving en certificering

### ⚠ VOORZICHTIG

Deze apparatuur is niet bedoeld voor gebruik in woonomgevingen en biedt in dergelijke omgevingen mogelijk onvoldoende bescherming voor radio-ontvangst.

#### Canadese norm inzake apparatuur die radio-interferentie veroorzaakt, ICES-003, Klasse A:

Aanvullende informatie en testresultaten zijn via de fabrikant verkrijgbaar.

Dit Klasse A instrument voldoet aan alle eisen van de Canadese norm inzake apparatuur die radio-interferentie veroorzaakt.

Cet appareil numérique de classe A répond à toutes les exigences de la réglementation canadienne sur les équipements provoquant des interférences.

#### FCC deel 15, Klasse "A" bepalingen

Aanvullende informatie en testresultaten zijn via de fabrikant verkrijgbaar. Dit instrument voldoet aan Deel 15 van de FCC-voorschriften. Het gebruik van dit instrument is aan de volgende voorwaarden onderworpen:

1. Het instrument mag geen schadelijke storingen veroorzaken.
2. Het instrument moet elke willekeurige ontvangen storing accepteren, inclusief storingen die mogelijk een ongewenste invloed kunnen hebben.

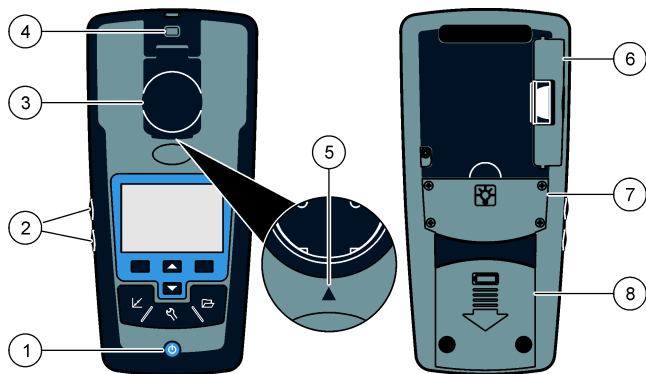
Door veranderingen of aanpassingen aan dit toestel die niet uitdrukkelijk zijn goedgekeurd door de partij verantwoordelijk voor certificering, kan de certificering van dit instrument komen te vervallen. Dit apparaat is getest en voldoet aan de normen voor een elektrisch instrument van Klasse A, volgens Deel 15 van de FCC-voorschriften. Deze bepalingen zijn vastgesteld om een redelijke bescherming te bieden tegen hinderlijke storingen wanneer het instrument in een commerciële omgeving wordt gebruikt. Dit instrument produceert en gebruikt radiogolven, en kan deze uitstralen. Als het niet wordt geïnstalleerd en gebruikt volgens de handleiding, kan het hinderlijke storing voor radiocommunicatie veroorzaken. Gebruik van het instrument in een woonomgeving zal waarschijnlijk zorgen voor hinderlijke storing. De gebruiker dient deze storing dan op eigen kosten te verhelpen. Om storingen op te lossen kan het volgende worden geprobeerd:

1. Ontkoppel het instrument van zijn stroombron om te controleren of deze stroombron al dan niet de storing veroorzaakt.
2. Als het instrument op hetzelfde stopcontact is aangesloten als het apparaat dat storing ondervindt, dient u het apparaat op een ander stopcontact aan te sluiten.
3. Plaats het apparaat weg van het apparaat waarop de storing van toepassing is.
4. Verplaats de ontvangstantenne voor het apparaat dat de storing ontvangt.
5. Probeer verschillende combinaties van de hierboven genoemde suggesties.

## 2.5 Productoverzicht

De 2100Q en 2100Q's zijn draagbare troebelheidsmeters die troebelheid van 0 tot 1000 NTU (FNU) meten. De draagbare meter is voornamelijk voor gebruik op locatie en werkt met vier AA batterijen. Resultaten kunnen worden opgeslagen en naar een printer, computer of USB-opslagapparaat worden doorgevoerd.

Afbeelding 1 Productoverzicht

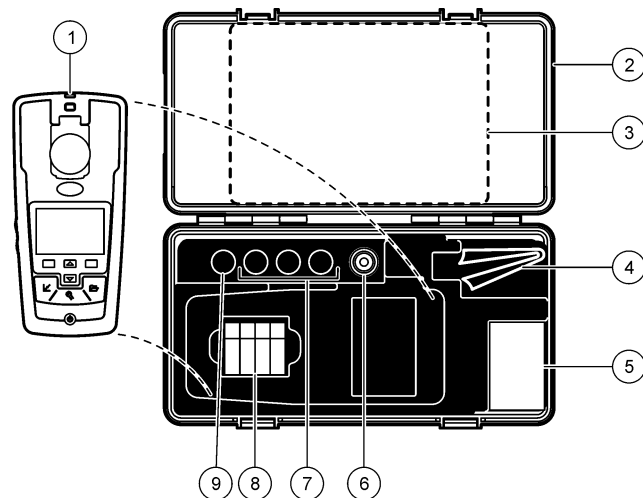


1 Toets AAN/UIT	5 Kuvet uitlijning
2 Toetsen voor verlichting (+ en -)	6 Optionele modules
3 Kuvetcompartiment met deksel	7 Compartment lamp
4 Bevestigingspunt pols-/schouderband	8 Batterijvak

## 2.6 Productcomponenten

Zie [Afbeelding 2](#) om te controleren of u alle accessoires hebt ontvangen. Neem direct contact met de fabrikant of een verkoopvertegenwoordiger op als een van de accessoires ontbreekt of beschadigd is.

Afbeelding 2 2100Q en 2100Q/is accessoires



1 2100Q of 2100Q/is troebelheidsmeter	6 Siliconenolie
2 Koffer	7 20, 100 en 800 NTU StabiCal kalibratiestandaarden
3 Handleiding en basisgebruikershandleiding	8 AA alkaline batterijen (pk/4)
4 Oliedoek	9 10 NTU StabiCal controlestandaard
5 1" monsterkuvet (10 mL) met dop (pk/6)	

## Hoofdstuk 3 Installatie

### ⚠ VOORZICHTIG



Diverse gevaren. Alleen bevoegd personeel mag de in dit deel van het document beschreven taken uitvoeren.

### 3.1 De batterijen plaatsen

#### ⚠ WAARSCHUWING



Explosiegevaar. Een verouderde batterij kan ertoe leiden dat waterstofgas in het instrument wordt opgebouwd. Vervang de batterij voordat deze verouderd is. Sla het instrument niet gedurende lange tijd op terwijl er een batterij in zit.

#### ⚠ WAARSCHUWING

Potentieel brandgevaar. Gebruik in de meter alleen alkaline of nikkel-metaalhydride batterijen (NiMH). Andere typen batterijen of het verkeerd plaatsen kan brand veroorzaken. Gebruik nooit verschillende typen batterijen tegelijk.

#### LET OP

Het batterijcompartiment is niet waterbestendig. Als het batterijcompartiment nat wordt, dient u de batterijen te verwijderen; droog vervolgens het compartiment en de batterijen. Controleer de contactpunten op corrosie en maak ze, indien nodig, schoon.

#### LET OP

Als u nikkel-metaalhybride batterijen (NiMH) gebruikt, zal het batterijpictogram geen volledige lading aangeven nadat u volledig opgeladen batterijen plaatst (NiMH-batterijen zijn 1,2 V ten opzichte van 1,5 V voor alkaline batterijen). Zelfs als het pictogram geen volledige lading aangeeft, bereiken NiMH-batterijen van 2300 mAh 90% van de levensduur ten opzichte van alkaline batterijen (voor het opladen).

#### LET OP

Om door batterijlekkage potentiële schade aan de meter te voorkomen, dient u de batterijen te verwijderen als het apparaat gedurende een lange periode niet wordt gebruikt.

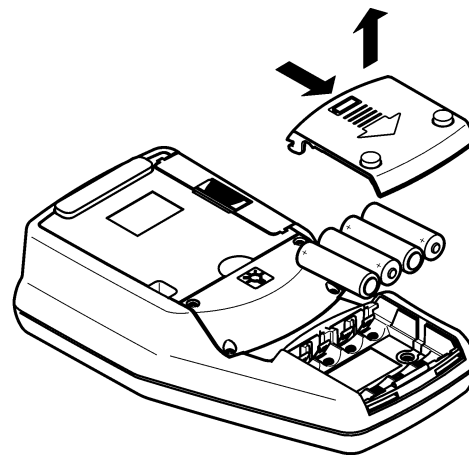
Het instrument kan met AA alkaline of oplaadbare NiMH-batterijen worden gebruikt. Om de batterijen langer mee te laten gaan wordt het instrument na 10 minuten uitgeschakeld wanneer u het niet gebruikt. De verlichting wordt na 30 seconden uitgeschakeld. Deze tijd kan in het menu Energiebeheer worden gewijzigd.

**Opmerking:** Oplaadbare batterijen worden alleen met de USB/netspanningsmodule opgeladen. Raadpleeg de moduledocumentatie voor meer informatie.

Raadpleeg [Afbeelding 3](#) voor het plaatsen van de batterijen.

1. Verwijder het deksel van het batterijcompartiment.
2. Plaats 4 AA alkaline of 4 AA nikkel-metaalhydride batterijen (NiMH). Zorg ervoor dat de polen van de batterijen de juiste kant op wijzen.
3. Plaats het deksel van het batterijcompartiment terug.

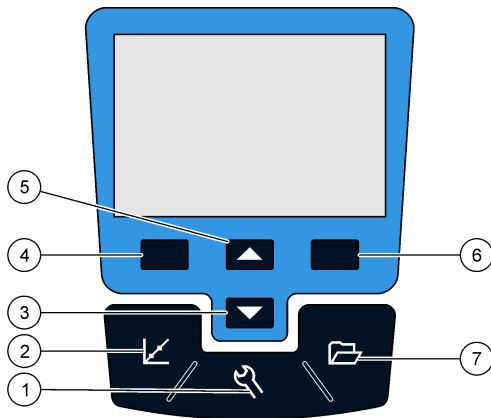
**Afbeelding 3** De batterij plaatsen



## Hoofdstuk 4 Gebruikersinterface en navigatie

### 4.1 Functies

Afbeelding 4 Functies van de toetsen



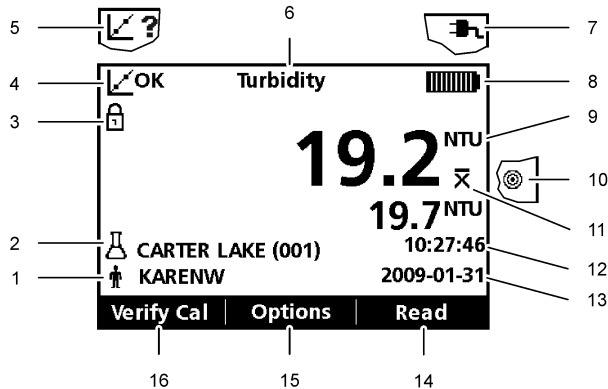
<b>1 INSTELLINGEN:</b> toont menu-opties voor het instellen van de meter	<b>5 OMHOOG:</b> blader door menu's, voer nummers en letters in
<b>2 KALIBRATIE:</b> toont het kalibratiescherm, startkalibratie en kalibratie-opties	<b>6 RECHTS (wisselend):</b> toont meet monster, selecteert of bevestigt opties, opent submenu's
<b>3 OMLAAG:</b> blader door menu's, voer nummers en letters in	<b>7 Datalog:</b> opgeslagen gegevens weergeven, verwijderen of versturen
<b>4 LINKS (wisselend):</b> toont controle van kalibratie, annuleert of sluit het huidige menuscherm naar het vorige menuscherm af	

### 4.2 Beschrijving van het display

Het display toont de troebelheid, eenheid, kalibratiestatus, datum, tijd, gebruikers-ID (wanneer ingesteld) en monster-ID (wanneer ingesteld). Raadpleeg [Afbeelding 5](#).



Afbeelding 5 Display met één scherm



1 Gebruikers-ID	9 NTU (Nephelometric Turbidity Unit) of FNU (Formazin Turbidity Unit)
2 Monster-ID	10 Meting: Rapidly Settling Turbidity (snel bezinkende monsters) (Doelpictogram)
3 Indicator van stabiliteit of display-vergrendeling	11 Modus Meting: signaalgemiddelde (pictogram X-balk)
4 Kalibratiestatus (Kalibratie OK=geslaagd)	12 Time (Tijd)
5 Kalibratiestatus (Kalibratie ? =mislukt)	13 Datum
6 Parameter	14 Meten (wisselend: OK, Selecteren)
7 Netspannings-pictogram	15 Opties (wisselend)
8 Batterijpictogram	16 Controle kalibratie

### 4.3 Bediening

De meter heeft menu's voor Instellingen, Meetopties, Kalibratie-opties en Controle-opties kalibratie. Gebruik de toetsen **OMHOOG** en **OMLAAG** om verschillende opties te markeren. Druk op de toets **RECHTS** om een optie te selecteren. Opties kunnen op twee manieren worden veranderd:


1. Selecteer een menu-optie: gebruik de toetsen **OMHOOG** en **OMLAAG** om een optie te selecteren. Als keuzevakken worden getoond, kunnen meer dan één optie worden geselecteerd. Druk op de toets **LINKS**, voor het selecteren van één of meerdere opties.

**Opmerking:** Om de keuzevakken uit te schakelen, drukt u op de toets **LINKS** onder *Deselecteren*.

2. Voer met de pijltoetsen een waarde in: Druk op de toetsen **OMHOOG** en **OMLAAG** om een waarde in te voeren of te veranderen.
3. Druk op de toets **RECHTS** om naar de volgende positie te gaan of een spatie in te voeren.
4. Druk onder **OK** op de toets **RECHTS** om de ingevoerde waarde te accepteren.

## Hoofdstuk 5 Opstarten

### 5.1 Het instrument aan en uit zetten

 Druk op de toets **AAN/UIT** om de meter aan of uit te zetten. Als de meter niet opstart, dient u te controleren of de batterijen of de module correct zijn geplaatst en de netspanningsadapter op de juiste manier is aangesloten.

**Opmerking:** Ook de optie *Automatisch uitschakelen* kan worden gebruikt om de meter uit te schakelen. Meer informatie vindt u op de website van de fabrikant

## 5.2 De taal instellen

De taal kan op drie manieren worden ingesteld:

- Als de meter voor de eerste keer wordt aangezet, kan de taal worden geselecteerd.
- De taal kan bij het aanzetten worden geselecteerd wanneer men de aan/uit-knop ingedrukt houdt.
- De taal kan via het menu Instellingen worden veranderd.

1. Selecteer een taal uit de lijst. Bevestig met **OK**.
2. Druk op **Voltooid** als de gewenste taal is geselecteerd.

## 5.3 De datum en tijd instellen

Vanaf het menu Datum & tijd kunt u de datum en tijd veranderen.

1. Druk op de toets **INSTELLINGEN** en selecteer Datum & tijd.
2. De tijd- en datum instellen:

Optie	Beschrijving
<b>Notatie</b>	Selecteer voor de datum en tijd één van de opties: jjjj-mm-dd 24u jjjj-mm-dd 12u dd-mm-jjjj 24u dd-mm-jjjj 12u mm/dd/jjjj 24u mm/dd/jjjj 12u
<b>Datum</b>	Voer de datum in
<b>Tijd</b>	Voer de tijd in

De datum en tijd worden in het display weergegeven.

Na het instellen van de datum en tijd is de meter klaar voor gebruik.

## Hoofdstuk 6 Standaardbediening

### 6.1 Gebruik een monster-ID

Om metingen aan een bepaalde monsterlocatie toe te wijzen, kan het monster-ID ingesteld worden. Daarna bevatten alle opgeslagen gegevens dit ID.

1. Selecteer in het menu Instellingen de optie **Monster-ID**.
2. Kies uit de opties om een monster-ID te selecteren, te maken of te verwijderen.

Optie	Beschrijving
<b>Huidig ID</b>	Selecteer uit de lijst een andere monster-ID. Totdat een ander ID wordt geselecteerd, wordt het huidige ID aan monstergegevens verwant.
<b>Nieuwe ID maken</b>	Voer voor een nieuwe monster-ID in.
<b>ID verwijderen</b>	Verwijder een bestaande monster-ID.

### 6.2 Een gebruikers-ID gebruiken

Om metingen aan een bepaalde gebruiker toe te wijzen, kan de gebruikers-ID ingesteld worden. Daarna bevatten alle opgeslagen resultaten dit ID.

1. Selecteer in het menu Instellingen de optie **Gebruikers-ID**.
2. Kies uit de opties om een gebruikers-ID te selecteren, te maken of te verwijderen.

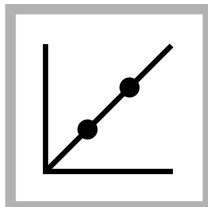
Optie	Beschrijving
<b>Huidig ID</b>	Selecteer uit de lijst een gebruikers-ID. Totdat een ander ID wordt geselecteerd, wordt het huidige ID aan monstergegevens verwant.

Optie	Beschrijving
<b>Nieuwe gebruikers-ID</b>	Voer voor een nieuwe gebruikers-ID in, maximaal 10 gebruikers-ID's.
<b>Gebruikers-ID verwijderen</b>	Verwijder een bestaande gebruikers-ID.

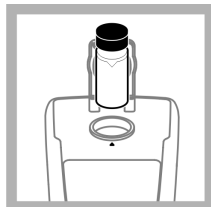
## Hoofdstuk 7 Geavanceerde bediening

### 7.1 De troebelheidsmeter kalibreren met StabCal-standaarden

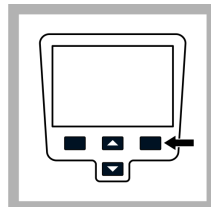
**Opmerking:** Gebruik voor de hoogste nauwkeurigheid hetzelfde kuvet of de set gesloten kuvetten met StabCal voor het kalibreren. Plaats het kuvet zo in het kuvetcompartiment van het instrument dat de diamantvormige markering op het kuvet met de pijlvormige markering op het instrument naar elkaar wijzen.



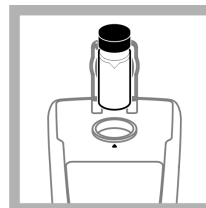
1. Druk op de toets **KALIBRATIE** om naar het kalibratiemenu te gaan. Volg de instructies op het display.  
**Opmerking:** Voordat u de standaard plaatst, dient u deze voorzichtig te zwenken.



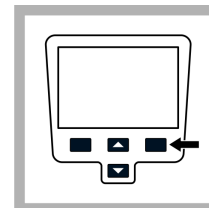
2. Plaats de 20 NTU StabCal-standaard en sluit het deksel.  
**Opmerking:** Het instrument geeft in het display weer welke standaard geplaatst dient te worden..



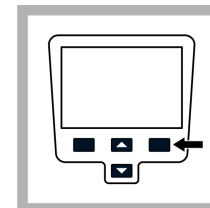
3. Druk op de toets **Lezen**. Het display geeft Stabiliseren... weer en toont daarna het resultaat.



4. Herhaal stappen 2 en 3 voor de 100 NTU en 800 NTU StabCal-standaard.  
**Opmerking:** Druk na 100 NTU standaard op **Voltooid** om een 2-punts kalibratie te gebruiken.



5. Druk op **Voltooid** om de kalibratiedetails te controleren.




6. Druk op **Opslaan** om de resultaten op te slaan. Nadat een kalibratie is voltooid, gaat de meter automatisch naar de modus Kalibratie controleren. Meer informatie vindt u op de website van de fabrikant

### 7.2 Meetopties

1. Druk op toets **OMHOOG** of **OMLAAG** om naar het menu Meetopties te gaan.
2. Selecteer modus Meting om één van de volgende opties te selecteren:

Optie	Omschrijving
<b>Normaal (standaardinstelling)</b>	Bij de optie Normaal wordt het gemiddelde van drie achtereenvolgende metingen berekend. Het resultaat wordt na de meting weergegeven.

Optie	Omschrijving
<b>Signaalgemiddelde</b> 	<p>Bij de optie Signaalgemiddelde wordt gecompenseerd voor schommelingen veroorzaakt door vaste stof in het monster.</p> <p>De pictogram X-balk wordt op de display weergegeven als het signaalgemiddelde is ingeschakeld.</p> <p>De modus Signaalgemiddelde voert 12 metingen uit en toont na drie metingen het gemiddelde. Het uiteindelijke resultaat is het gemiddelde van alle 12 metingen.</p>

Optie	Omschrijving
<b>Rapidly Settling Turbidity (RST)</b> 	<p>De RST-modus (Rapidly Settling Turbidity) berekent en update de troebelheidswaarde van het monster continu met een betrouwbaarheid van 95 %, aan de hand van de vastgestelde trend van de real-time gemeten waarden.</p> <p>De optie RST kan het beste worden gebruikt voor monsters die snel bezinken, een troebelheid groter dan 20 NTU hebben en constant van waarde veranderen. Voor de meting dient men ervoor te zorgen dat het monster homogeen is door het kuvet te zwenken. Het wordt het beste toegepast op monsters die groter zijn dan 20 NTU. Onmiddellijk voordat het monster in de meter wordt geplaatst, moet het monster grondig worden gemengd d.m.v. inversie.</p> <p>De doelpictogram wordt in het display weergegeven wanneer de Rapidly Settling Turbidity (snel bezinkende monsters) geselecteerd is.</p> <p>De Rapidly Settling Turbidity meet en berekent vijf keer terwijl het tussentijds resultaten weergeeft.</p>

## Hoofdstuk 8 Onderhoud

### ▲ VOORZICHTIG



Diverse gevaren. Alleen bevoegd personeel mag de in dit deel van het document beschreven taken uitvoeren.

## 8.1 Het instrument schoonmaken

Het instrument is praktisch onderhoudsvrij en voor normale werking vereist het geen regelmatige reiniging. Externe oppervlakken van de meter kunnen, indien nodig, worden gereinigd.

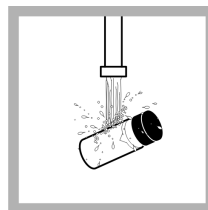
**Opmerking:** Om beschadiging van het materiaal te voorkomen niet de meter met oplosmiddelen reinigen.

1. Reinig de meter met een stof- en vezelvrije droge of iets vochtige doek. Voor in vet oplosbaar vuil kan een milde zeepoplossing worden gebruikt.

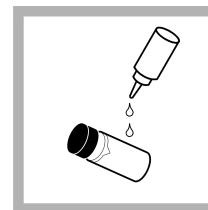
## 8.2 Siliconenolie op een monsterkuvet aanbrengen

Kuvetten en doppen moeten uitermate schoon en vrij van krassen zijn. Breng op de buitenkant van de monsterkuvetten een dunne laag siliconenolie aan om imperfecties en krasjes die tot lichtverstrooiing kunnen leiden, te maskeren.

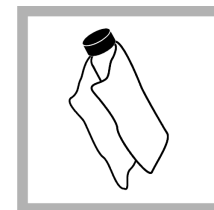
**Opmerking:** Gebruik alleen de meegeleverde siliconenolie. Deze siliconenolie heeft dezelfde brekingsindex als het glas van het monsterkuvet.



1. Maak de binnen- en buitenkant van het kuvet en de dop schoon door ze met een reinigingsmiddel voor laboratoriumglas te wassen. Daarna dient u ze meerdere keren met gedistilleerd of demiwater af te spoelen.



2. Breng een aantal druppels siliconolie op het kuvet aan.



3. Gebruik de meegeleverde oliedoek om de olie evenredig te verspreiden. Veeg overmatige olie af zodat er alleen maar een dunne laag olie achterblijft. Zorg hierbij dat er geen olie meer zichtbaar is.

**Opmerking:** Bewaar de oliedoek in een plastic zakje om de doek schoon te houden.

## 8.3 De kuvetten bewaren

### LET OP

De monsterkuvetten niet in de lucht laten drogen.

**Opmerking:** Sla de kuvetten altijd met de deksels erop om uitdroging te voorkomen.

1. Vul de monsterkuvetten met gedistilleerd of demiwater.
2. Sluit de monsterkuvetten en sla ze op.
3. Veeg de buitenkant van de monsterkuvetten met een zachte doek droog.

## 8.4 De batterijen vervangen

### ▲ WAARSCHUWING



Explosiegevaar. Een verouderde batterij kan ertoe leiden dat waterstofgas in het instrument wordt opgebouwd. Vervang de batterij voordat deze verouderd is. Sla het instrument niet gedurende lange tijd op terwijl er een batterij in zit.

### ▲ WAARSCHUWING

Potentieel brandgevaar. Gebruik in de meter alleen alkaline of nikkel-metaalhydride batterijen (NiMH). Andere typen batterijen of het verkeerd plaatsen kan brand veroorzaken. Gebruik nooit verschillende typen batterijen tegelijk.

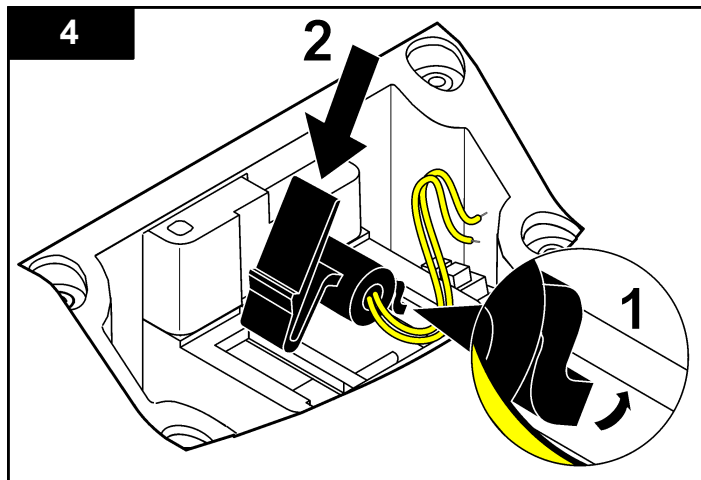
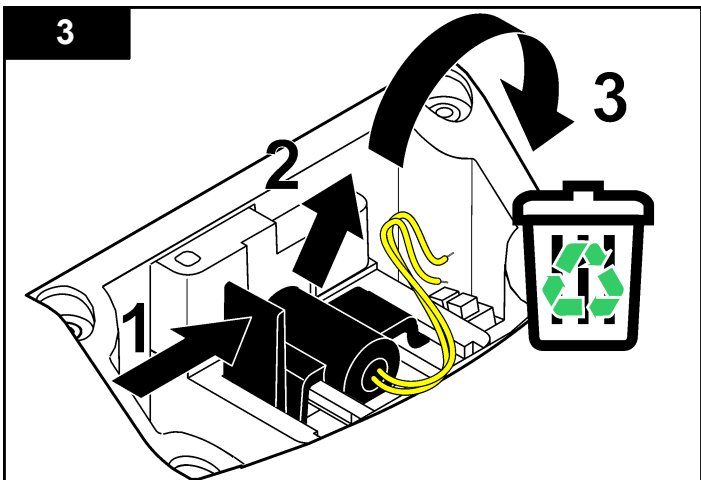
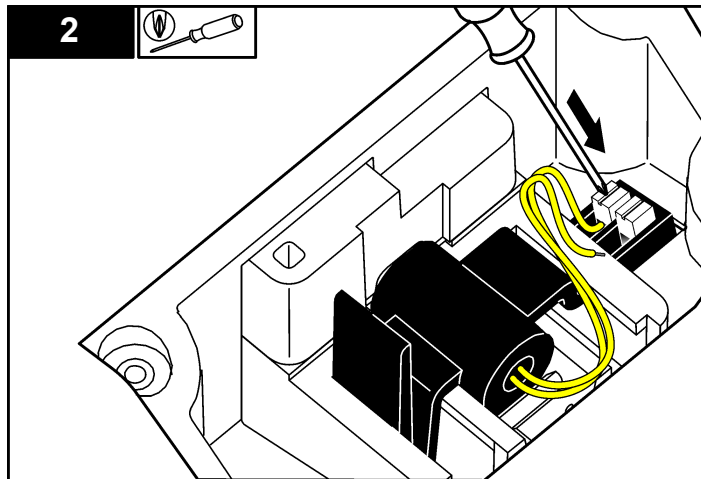
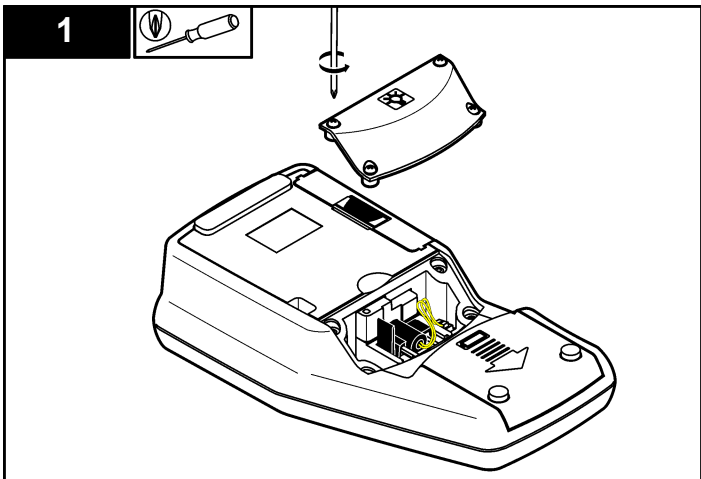
Zie [De batterijen plaatsen](#) op pagina 135 voor het vervangen van de batterijen.

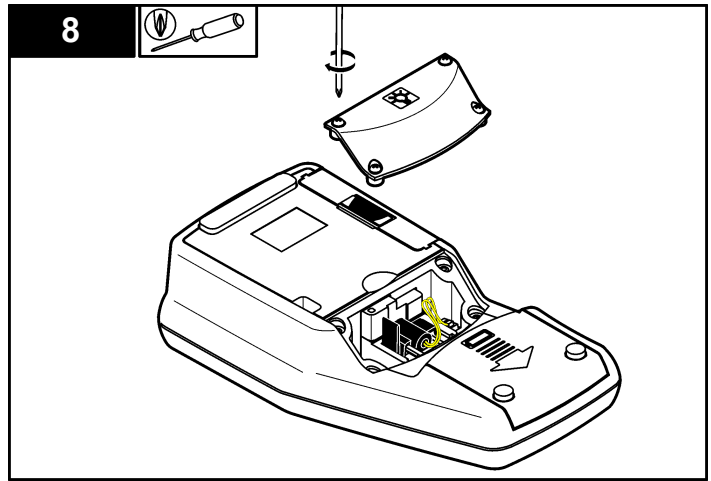
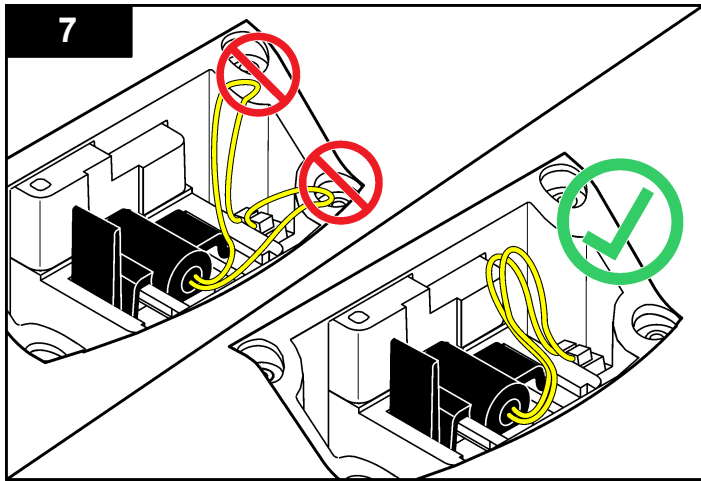
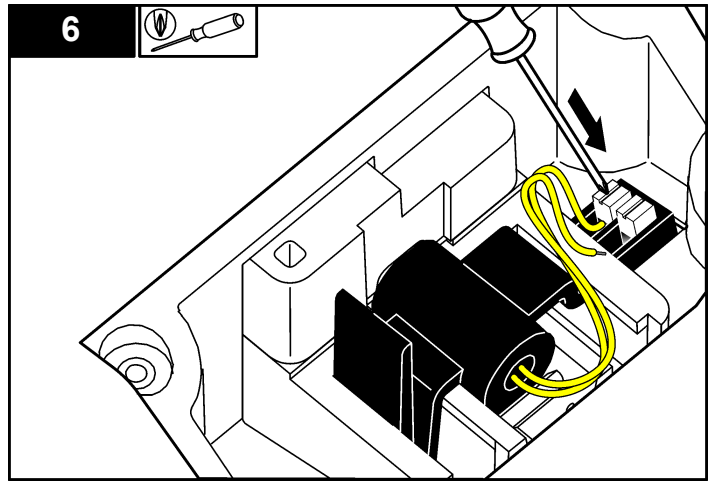
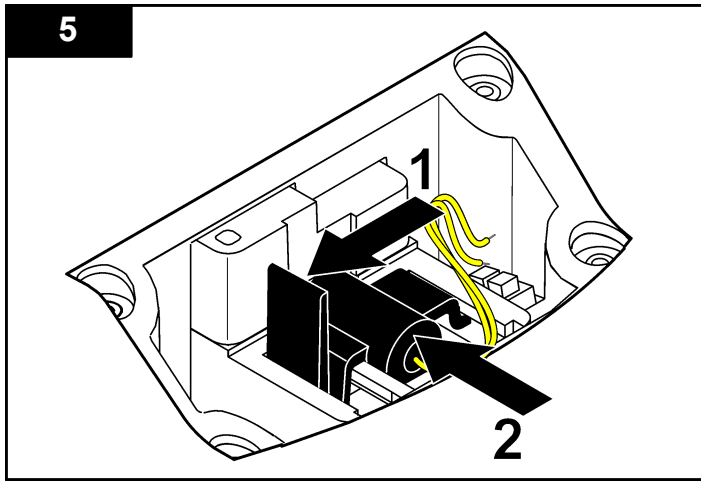
1. Verwijder het deksel van het batterijcompartiment.
2. Verwijder de batterijen.
3. Plaats 4 AA alkaline of 4 AA nikkel-metaalhydride batterijen (NiMH). Zorg ervoor dat de polen van de batterijen de juiste kant op wijzen.
4. Plaats het deksel van het batterijcompartiment terug.

## 8.5 De lamp vervangen

### ▲ VOORZICHTIG

Kans op brandwonden. Wacht tot de lamp is afgekoeld. Contact met de hete lamp kan leiden tot brandwonden.







## Hoofdstuk 9 Problemen oplossen

Raadpleeg de onderstaande tabel voor een mogelijke oorzaak en oplossing bij waarschuwingen of klachten.

Foutmelding/waarschuwing	Beschrijving	Oplossing
<b>Sluit deksel druk op Meten.</b>	Het deksel is open of de detectie ervan is mislukt.	Zorg dat het deksel tijdens de meting is gesloten en meet opnieuw.
<b>Batterij bijna leeg!</b>	Batterij is bijna leeg.	<ul style="list-style-type: none"> <li>Nieuwe alkaline batterijen plaatsen</li> <li>Sluit de USB/netspannings module aan als oplaadbare batterijen worden gebruikt</li> </ul>
<b>Storing voeding!</b>	Hardware-storing veroorzaakt een mislukte meting.	Herhaal de meting.
<b>Detectorsignaal te zwak!</b>	Onvoldoende licht op de 180° detector.	<ul style="list-style-type: none"> <li>Controleer of het lichtpad wordt geblokkeerd.</li> <li>Controleer de lamp.</li> </ul>
<b>Boven meetbereik!</b>	Troebelheid is te hoog - waarschijnlijk veroorzaakt door kalibratie alleen met RapidCal.	<ul style="list-style-type: none"> <li>Herhaal de kalibratie.</li> <li>Verdun het monster.</li> </ul>
<b>Onder bereik!</b>	De gemeten absorptie is onder het meetbereik.	Herhaal kalibratie

Foutmelding/waarschuwing	Beschrijving	Oplossing
<b>Controleer de lamp!</b>	Signalen zijn te laag op de 90°- en 180°-detectoren.	<p><b>2100Q:</b> de lamp is defect. Wissel de lamp (zie <a href="#">De lamp vervangen</a> op pagina 142).</p> <p><b>2100Qis:</b> neem contact op met HACH LANGE.</p>
<b>Temperatuur te hoog! Schakel het instrument uit.</b>	Temperatuur heeft de limiet (>60 °C of >140 °F) overschreden.	Schakel de meter uit en laat deze afkoelen.
<b>RST: gemiddelde waarde!</b>	De vaste stof bezinkt te langzaam. De meetoptie is niet geschikt voor dit monster.	Selecteer de meetmodus Normaal of Signaalgemiddelde.
<b>Betrouwbaarheid is &lt; 95%</b>	De meetoptie Rapidly Settling Turbidity voldoet niet aan de voorwaarde van ≥ 95% betrouwbaarheid.	<ul style="list-style-type: none"> <li>Zwenk het monster enkele keren zodat het monster homogeen is. Herhaal de meting.</li> <li>Als het monster homogeen, dient u de meetoptie Normaal te gebruiken.</li> </ul>
<b>Waarde standaard buiten bereik. Plaats standaard en druk op Meten</b>	De waarde voor de standaard ligt buiten de gestelde grenzen.	Plaats de juiste standaard en voer de meting nogmaals uit.

Foutmelding/waarschuwing	Beschrijving	Oplossing
<b>ID reeds in gebruik. Voer nieuw ID in</b>	Het gebruikers- of monster-ID wordt al gebruikt.	Kies een andere ID.
<b>Fout - Beveiliging, Voer een wachtwoord in voordat u de beveiliging activeert</b>	Er is geen wachtwoord ingevoerd.	Voer een nieuw wachtwoord in.
<b>Voer tenminste één teken in.</b>	Wachtwoord moet minstens uit één teken bestaan.	Maak een wachtwoord van minstens één teken.
<b>Wachtwoord is onjuist. Probeer opnieuw.</b>	Er is een onjuist wachtwoord ingevoerd.	Voer het juiste wachtwoord in.
<b>Ontkoppel USB-kabel van uw computer.</b>	De datalog is niet toegankelijk zolang het instrument op de computer is aangesloten.	Verwijder de USB-kabel en probeer nogmaals de gegevens te verzenden.
<b>Geheugen USB-module vol. Verwijder data en probeer opnieuw.</b>	Het geheugen is vol.	<ol style="list-style-type: none"> <li>1. Sluit de USB/netspanningsmodulemodule aan op de computer.</li> <li>2. Download de opgeslagen gegevens met de computer.</li> <li>3. Verwijder het gegevensbestand op de module.</li> </ol>

Foutmelding/waarschuwing	Beschrijving	Oplossing
<b>Laatste meting verwijderen!</b>	Het geheugen van het instrument werkt niet goed.	Zet de meter uit en daarna weer aan. Als het probleem blijft aanhouden, dient u contact op te nemen met HACH LANGE.
<b>Datalog verwijderen mislukt!</b>		
<b>Kan gegevens niet lezen!</b>		
<b>Kan gegevens niet opslaan!</b>		
<b>Kan niet opslaan in datalog!</b>		
<b>Kan niet in kalibratielog opslaan!</b>		
<b>Fout bij opslaan gegevens!</b>		
<b>Fout bij lezen gegevens!</b>		

## Spis treści

- |  |  |
|--|--|
| 1 Specyfikacja na stronie 147                      | 6 Standardowa obsługa na stronie 155     |
| 2 Ogólne informacje na stronie 148                 | 7 Zaawansowana obsługa na stronie 156    |
| 3 Instalacja na stronie 151                        | 8 Konserwacja na stronie 157             |
| 4 Interfejs użytkownika i nawigacja na stronie 153 | 9 Rozwiązywanie problemów na stronie 162 |
| 5 Rozruch na stronie 154                           |  |

## Rozdział 1 Specyfikacja

Dane techniczne mogą ulec zmianie bez wcześniejszego powiadomienia.

Dane techniczne	Informacje szczegółowe
Metoda pomiaru	Określenie współczynnika mętności za pomocą głównego nefelometrycznego sygnału światła rozproszonego (90°) do transmitowanego sygnału światła rozproszonego.
Regulacje	<b>2100Q:</b> spełnia metodę EPA 180.1
Źródło światła	<b>2100Q:</b> Lampa wolframowa <b>2100Qis:</b> dioda elektroluminescencyjna (LED)
Zakres	0–1000 NTU (FNU)
Dokładność	±2% odczytu plus światło rozproszone od 0–1000 NTU (FNU)
Powtarzalność	±1% odczytu lub 0,01 NTU (FNU), które jest większe
Rozdzielczość	0,01 NTU w dolnym zakresie
Światło rozproszone	≤ 0,02 NTU (FNU)

Dane techniczne	Informacje szczegółowe
Uśrednianie sygnału	Wybieralne włączenie lub wyłączenie
Detektor	Silikonowa fotodioda
Kategoria przepięcia	II
Wysokość	maks. 2000 m (6562 ft)
Tryby odczytu	Normal (Normalny) (Wciśnij aby odczytać), Signal Averaging (Średnia sygnału) lub Rapidly Settling Turbidity
Opcje kalibracji	Pojedynczy krok RapidCal dla raportowania nadzorczego o niskim poziomie od 0–40 NTU (FNU) Pełny zakres kalibracji od 0–1000 NTU (FNU) Kalibracja do stopni mętności
Rejestrator kalibracji	Zapisuje ostatecznie 25 pomyślnych kalibracji
Rejestrator weryfikacji	Zapisuje ostatecznie 250 pomyślnych weryfikacji
Rejestrator danych	500 potencjalnie lub bezpośrednio
Wymogi dotyczące zasilania	Zasilanie bateryjne: maksymalnie 6 VDC (4 baterie NiMH 1,2 V AA lub 4 baterie alkaliczne 1,5 V AA) Zasilanie zewnętrzne: 100–240 VAC ± 10%; wyjście 5 W (9 VDC, 600 mA maks.)
Warunki pracy	Temperatura: od 0 do 50 °C (od 32 do 122 °F) Wilgotność względna: 0–90% w 30 °C, 0–80% w 40 °C, 0–70% w 50 °C, niekondensujący

Dane techniczne	Informacje szczegółowe
Warunki przechowywania	−40 do 60°C (−40 do 140°F), wyłącznie urządzenie
Interfejs	Opcjonalne USB
Wymagana próbka	15 ml (0.5 uncji.)
Kuwety	Kuwety okrągłe 60 x 25 mm (2.36 x 1 cala, szkło borokrzemianowe z nakrętkami
Wymiary	22.9 x 10.7 x 7.7 cm (9.0 x 4.2 x 3.0 cala)
Masa	530 g (1.17 funta) bez baterii 620 g (1,37 lb) z czterema bateriami alkalicznymi AA
Znamionowa obudowy miernika	IP67 (zamykana pokrywa, wyłączono przedział baterii i modułu)
Klasa ochrony	2100Q/is: Klasa III Zasilanie: Klasa II
Stopień zanieczyszczenia	2
Warunki środowiskowe	Do użytku wewnątrz i na zewnątrz
Certyfikaty	Certyfikat CE
Gwarancja	1 rok (UE: 2 lata)

## Rozdział 2 Ogólne informacje

W żadnym przypadku producent nie ponosi odpowiedzialności za bezpośrednie, pośrednie, specjalne, przypadkowe lub wtórne szkody wynikające z błędu lub pominięcia w niniejszej instrukcji obsługi. Producent zastrzega sobie prawo do dokonania zmian w niniejszej instrukcji obsługi i w produkcie, której dotyczy w dowolnym momencie, bez powiadomienia lub zobowiązania. Na stronie internetowej producenta można znaleźć poprawione wydania.

### 2.1 Informacje dotyczące bezpieczeństwa

Producent nie ponosi odpowiedzialności za ewentualne szkody wynikłe z niewłaściwego stosowania albo użytkowania tego produktu, w tym, bez ograniczeń za szkody bezpośrednie, przypadkowe i wtórne, oraz wyklucza odpowiedzialność za takie szkody w pełnym zakresie dozwolonym przez obowiązujące prawo. Użytkownik jest wyłącznie odpowiedzialny za zidentyfikowanie krytycznych zagrożeń aplikacji i zainstalowanie odpowiednich mechanizmów ochronnych procesów podczas ewentualnej awarii sprzętu.

Prosimy przeczytać całą niniejszą instrukcję obsługi przed rozpakowaniem, włączeniem i rozpoczęciem użytkowania urządzenia. Należy zwrócić uwagę na wszystkie informacje dotyczące niebezpieczeństwa i kroków zapobiegawczych. Niezastosowanie się do tego może spowodować poważne obrażenia obsługującego lub uszkodzenia urządzenia.

Należy upewnić się, czy systemy zabezpieczające wbudowane w urządzenie pracują prawidłowo. Nie używać ani nie instalować tego urządzenia w inny sposób, aniżeli podany w niniejszej instrukcji.

### 2.2 Korzystanie z informacji o zagrożeniach

#### **▲ NIEBEZPIECZEŃSTWO**

Wskazuje potencjalnie lub bezpośrednio niebezpieczną sytuację, która — jeśli się jej nie zapobiegnie — doprowadzi do śmierci lub poważnych obrażeń.

### ▲ OSTRZEŻENIE

Wskazuje na potencjalną lub bezpośrednio niebezpieczną sytuację, która, jeżeli się jej nie uniknie, może doprowadzić do śmierci lub ciężkich obrażeń.

### ▲ UWAGA




Wskazuje na potencjalnie niebezpieczną sytuację, która może doprowadzić do mniejszych lub umiarkowanych obrażeń.

### POWIADOMIENIE

Wskazuje sytuację, która — jeśli się jej nie zapobiegnie — może doprowadzić do uszkodzenia urządzenia. Informacja, która wymaga specjalnego podkreślenia.

## 2.3 Etykiety ostrzegawcze

Przeczytaj wszystkie etykiety dołączone do urządzenia. Nieprzestrzeganie zawartych na nich ostrzeżeń może doprowadzić do obrażeń ciała i/lub uszkodzenia urządzenia. Symbol umieszczony na urządzeniu jest zamieszczony w podręczniku i opatrzony informacją o należytych środkach ostrożności.

	Ten symbol ostrzega o niebezpieczeństwie. Aby uniknąć obrażeń ciała, należy przestrzegać wszystkich instrukcji, którym towarzyszy ten symbol. Jeśli ten symbol jest umieszczony na urządzeniu, należy zapoznać się z informacjami bezpieczeństwa użytkownika zamieszczonymi w instrukcji obsługi urządzenia.
	Ten symbol wskazuje niebezpieczeństwo szoku elektrycznego i/lub porażenia prądem elektrycznym.
	Urządzeń elektrycznych oznaczonych tym symbolem nie wolno wyrzucać do europejskich publicznych systemów utylizacji odpadów. Wyeksploatowane urządzenia należy zwrócić do producenta w celu ich utylizacji. Producent ma obowiązek przyjęcia je bez pobierania dodatkowych opłat.

## 2.4 Zgodność i certyfikacja

### ▲ UWAGA

To urządzenie nie jest przeznaczone do użytku w środowisku mieszkalnym i może nie zapewniać odpowiedniej ochrony dla odbioru radiowego w takich środowiskach.

### Kanadyjska regulacja prawna dotycząca sprzętu powodującego zakłócenia radiowe, ICES-003, klasa A:

Stosowne wyniki testów dostępne są u producenta.

Ten cyfrowy aparat klasy A spełnia wszystkie wymagania kanadyjskich regulacji prawnych dotyczących sprzętu powodującego zakłócenia.

Cet appareil numérique de classe A répond à toutes les exigences de la réglementation canadienne sur les équipements provoquant des interférences.

### FCC Część 15, Ograniczenia Klasy "A"

Stosowne wyniki testów dostępne są u producenta. Niniejsze urządzenie spełnia warunki Części 15 Zasad FCC. Przy pracy obowiązują poniższe warunki:

1. Sprzęt nie może powodować szkodliwego zakłócenia.
2. Sprzęt musi akceptować wszelkie odbierane zakłócenia, w tym zakłócenia, które mogą powodować niepożądane działanie.

Zmiany oraz modyfikacje tego urządzenia, które nie zostały wyraźnie zaakceptowane przez stronę odpowiedzialną za zgodność, mogą spowodować pozbawienie użytkownika upoważnienia do korzystania z niniejszego urządzenia. To urządzenie zostało przetestowane i odpowiada ograniczeniom dla urządzenia cyfrowego klasy A, stosownie do części 15 zasad FCC. Ograniczenia te zostały wprowadzone w celu zapewnienia należytej ochrony przed szkodliwymi zakłóceniami, gdy urządzenie jest użytkowane w środowisku komercyjnym. Niniejsze urządzenie wytwarza, używa i może wydzielać energię o częstotliwości radiowej oraz, jeśli nie jest zainstalowane i używane zgodnie z instrukcją obsługi, może powodować szkodliwe zakłócenia w łączności radiowej. Istnieje prawdopodobieństwo, że wykorzystywanie tego urządzenia w terenie mieszkalnym może spowodować szkodliwe zakłócenia. W takim przypadku użytkownik jest zobowiązany do usunięcia zakłóceń

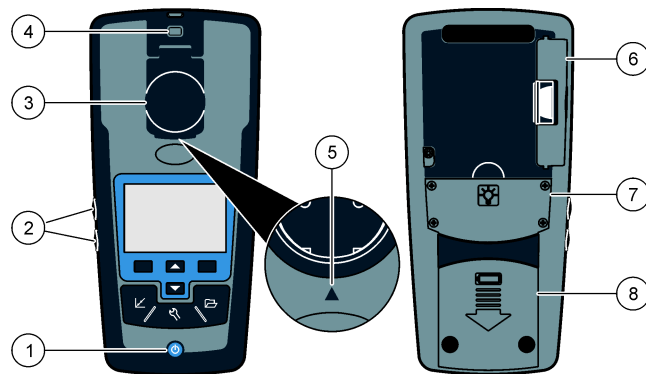
na własny koszt. W celu zmniejszenia problemów z zakłóceniami można wykorzystać poniższe metody:

1. Odłączyć urządzenie od źródła zasilania, aby zweryfikować, czy jest ono źródłem zakłóceń, czy też nie.
2. Jeśli sprzęt jest podłączony do tego samego gniazdka co urządzenie wykazujące zakłócenie, podłączyć sprzęt do innego gniazdka.
3. Odsunąć sprzęt od zakłócanego urządzenia.
4. Zmienić pozycję anteny odbiorczej urządzenia zakłócanego.
5. Spróbować kombinacji powyższych metod.

## 2.5 Informacje o produkcie

Przenośne turbidymetry 2100Q i 2100Q/s mierzą mętność w zakresie od 0 do 1000 NTU (FNU). Głównie do stosowania w terenie, przenośny miernik jest zasilany 4 bateriami AA. Dane można przechowywać i przysyłać do drukarki, komputera lub urządzenia magazynującego USB.

Rysunek 1 Informacje o produkcie

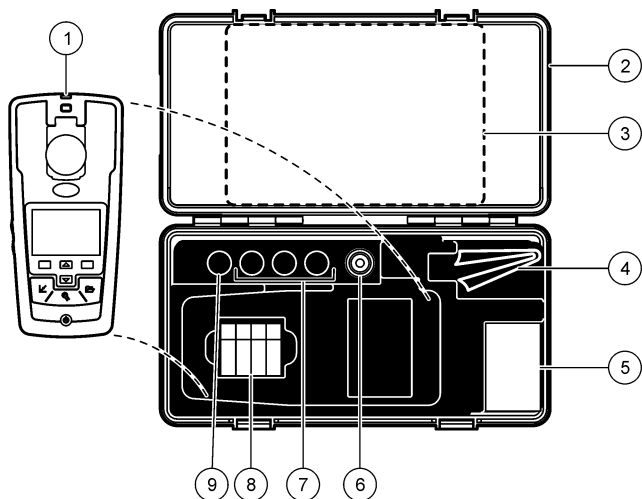


1	Włączenie lub Wyłączenie	5	Strzałka wyrównania
2	Podświetlane przyciski (+ i -)	6	Moduł
3	Uchwyt na kufeczek z pokrywą	7	Przedział lamp
4	Mocowanie do ściągacza	8	Komora na baterie

## 2.6 Części składowe produktu

Rysunek 2 pozwoli Ci ustalić czy wszystkie elementy zestawu znalazły się w opakowaniu. Jeżeli jakiegoś elementu brakuje albo jest uszkodzony, skontaktuj się z producentem lub przedstawicielem handlowym.

Rysunek 2 2100Q i 2100Q/is komponenty



1 2100Q lub 2100Q/is mętnościomierz	6 Olej silikonowy
2 Pojemnik do transportu	7 Wzorce kalibracji 20, 100 i 800 NTU StabiCal (Sprawdz. Kal)
3 Instrukcja obsługi oraz krótkie wprowadzenie	8 Baterie alkaliczne AA (pk/4)
4 Szmatka do olejenia	9 Wzorzec kalibracji StabiCal 10 NTU
5 1" kuweta (10 mL) z zatyczką (pk/6)	

## Rozdział 3 Instalacja

### ▲ UWAGA



Wiele zagrożeń. Tylko wykwalifikowany personel powinien przeprowadzać prace opisane w tym rozdziale niniejszego dokumentu.

### 3.1 Instalacja baterii

#### ▲ OSTRZEŻENIE



Niebezpieczeństwo wybuchu. Zużyte baterie mogą powodować gromadzenie się wodoru wewnątrz przyrządu. Baterie należy wymieniać przed upływem daty ważności. Urządzenia nie należy składować przez dłuższy czas z podłączoną baterią.

#### ▲ OSTRZEŻENIE

Potencjalne zagrożenie pożarem. W mierniku należy stosować wyłącznie baterie alkaliczne lub akumulatory nikielowo-wodorkowe (NiMH). Inne rodzaje baterii lub nieprawidłowa instalacja mogą skutkować pożarem. Nie wolno mieszać rodzajów baterii w mierniku.

#### POWIADOMIENIE

Wnęka baterii nie jest wodoszczelna. Jeśli wnęka baterii zawilgotnieje, należy usunąć i wysuszyć baterie oraz wysuszyć wnętrze wnęki. Następnie należy sprawdzić, czy styki baterii nie są skorodowane, i w razie potrzeby wyczyścić je.

#### POWIADOMIENIE

W przypadku stosowania akumulatorów nikielowo-wodorkowych (NiMH) ikona baterii nie będzie wskazywała pełnego naładowania po włożeniu świeżo naładowanych akumulatorów (akumulatory NiMH: 1,2 V; baterie alkaliczne: 1,5 V). Nawet jeśli ikona nie wskazuje pełnego naładowania, akumulatory 2300 mAh NiMH osiągną 90% żywotności działania urządzenia (przed naładowaniem) w stosunku do nowych baterii alkalicznych.

## POWIADOMIENIE

W celu uniknięcia potencjalnego uszkodzenia miernika w wyniku wycieku baterii należy wyjąć baterie z miernika przed dłuższym okresem przechowywania.

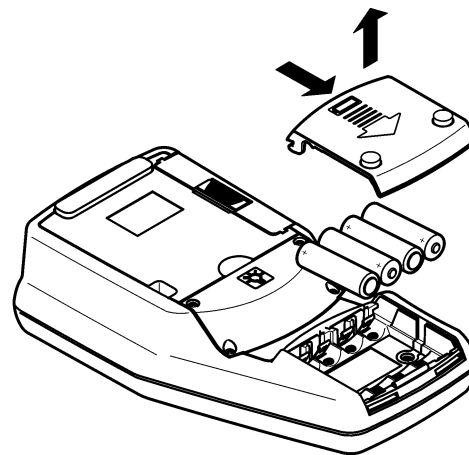
Miernik można zasilać bateriami alkalicznymi AA lub akumulatorami NiMH. W celu przedłużenia żywotności baterii, miernik wyłączy się po 10 minutach bezczynności, podświetlenie wyłączy się po 30 sekundach. Czas ten można zmienić w menu Power Management (Zarządzanie energią).

**Uwaga:** Akumulatory można ładować wyłącznie za pomocą modułu USB/zasilania. Szczegółowe informacje znajdują się w dokumentacji modułu.

W celu uzyskania informacji na temat instalacji baterii/akumulatorów, patrz [Rysunek 3](#).

1. Zdjąć pokrywę baterii/akumulatorów.
2. Zainstaluj 4 baterie alkaliczne AA lub 4 akumulatory AA nikielowo-wodorkowe (NiMH). Zadbać o włożenie baterii we właściwej orientacji.
3. Umieść ponownie pokrywę baterii/akumulatorów.

Rysunek 3 Instalacja baterii

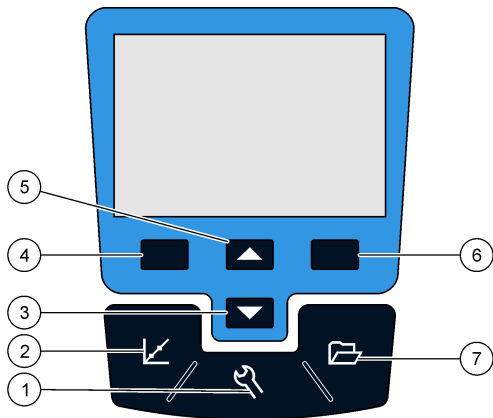




## Rozdział 4 Interfejs użytkownika i nawigacja

### 4.1 Interfejs użytkownika

Rysunek 4 Opis klawiatury

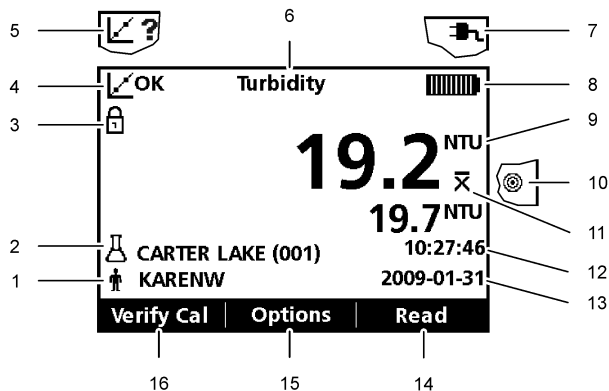


### 4.2 Opis ekranu

Ekran pomiaru wyświetla mętność, jednostkę, status kalibracji, datę i godzinę, ID operatora (jeśli ustawione) oraz ID próbki (jeśli ustawione). Patrz rozdział [Rysunek 5](#).

<b>1</b> Przycisk <b>SETTINGS</b> (Ustawienia): wybór opcji menu w celu ustawienia miernika	<b>5</b> Przycisk <b>UP</b> (w górę): przewijanie przez menu, wprowadzenie liczb i liter.
<b>2</b> Przycisk <b>CALIBRATION</b> (Kalibracja): wyświetlanie ekranu kalibracji, rozpoczęcie kalibracji, wybór opcji kalibracji	<b>6</b> Przycisk <b>RIGHT</b> (w prawo) (kontekstowy): odczyt próbki mętności, wybór lub potwierdzenie opcji, otwarcie/przejsście do podmenu.
<b>3</b> Przycisk <b>DOWN</b> (w dół): przewijanie przez menu, wprowadzenie liczb i liter.	<b>7</b> Przycisk <b>DATA MANAGEMENT</b> (Zarządzanie danymi): wyświetlanie, usuwanie i przenoszenie zapisanych danych
<b>4</b> Przycisk <b>LEFT</b> (w lewo) (kontekstowy): dostęp do sprawdzenia kalibracji, usuwania lub wyjścia z bieżącego ekranu	

Rysunek 5 Pojedynczy ekran



1 Identyfikator operatora	9 NTU (Nephelometric Turbidity Unit - nefelometryczna jednostka mętności) lub FNU (Formazin Turbidity Unit - Formazynowa jednostka mętności)
2 Identyfikator próbki	10 Tryb odczytu: Rapidly Settling Turbidity (ikona celu)
3 Stabilność lub wskaźnik blokady ekranu	11 Tryb odczytu: Średnia sygnału (ikona X-bar)
4 Wskaźnik statusu kalibracji (Kalibracja OK=udana)	12 Godzina
5 Wskaźnik statusu kalibracji (Kalibracja ?=nieudana)	13 Data
6 Nazwa parametru	14 Odczyt (kontekstowy: OK, Select (Wybierz))
7 Ikona zasilania	15 Options (Opcje) (kontekstowe)
8 Ikona baterii	16 Sprawdzenie kalibracji


## 4.3 Nawigacja

Miernik zawiera menu Settings (Ustawienia), Reading Options (Opcje odczytu), Calibration Options (Opcje kalkulacji) i Calibration Verification Options (Opcje Sprawdzania Kalibracji) w celu zmiany różnych opcji. Za pomocą przycisków **UP** (w górę) i **DOWN** (w dół) w celu podświetlenia różnych opcji. Wcisnąc przycisk **RIGHT** (w prawo) w celu wybrania opcji. Istnieją dwa sposoby zmiany opcji:

- Wybrać opcję z listy: Skorzystać z klawiszy **UP** (w górę) i **DOWN** (w dół) w celu wybrania opcji. Jeśli pojawią się pola wyboru, można wybrać więcej niż jedną opcję. Wcisnąc przycisk **LEFT** (w lewo) w menu Select (Zaznacz).  
*Uwaga: W celu odznaczenia pól wyboru, wcisnąć przycisk **LEFT** (w lewo) w menu Deselect (Odznaczyć).*
- Wprowadzić wartość opcji korzystając z przycisków strzałki: Wcisnąc przyciski **UP** (w górę) i **DOWN** (w dół) w celu wprowadzenia lub zmiany wartości.
- Wcisnąc przycisk **RIGHT** (w prawo) w celu przejścia do kolejnego pola.
- Wcisnąc przycisk **RIGHT** (w prawo) w menu **OK** w celu zatwierdzenia wartości.

## Rozdział 5 Rozruch

### 5.1 Włączanie i wyłączanie miernika

 Wcisnąc przycisk **ON/OFF** (WŁ/WYŁ) aby włączyć i wyłączyć miernik. Jeśli miernik nie włącza się, upewnić się, że baterie lub moduł są właściwie zamontowane lub, że zasilanie jest właściwie podłączone do gniazdka elektrycznego.

*Uwaga: W celu wyłączenia miernika można również zastosować opcję Auto-Shutoff (Automatyczne wyłączenie). Dodatkowe informacje są dostępne na stronie internetowej producenta.*

## 5.2 Zmiana ustawienia języka

Istnieją trzy opcje ustawienia języka:

- Język ekranu wybiera się podczas podłączenia miernika do zasilania po raz pierwszy.
- Język ekranu wybiera się po wciśnięciu i przytrzymaniu przycisku zasilania.
- Język można zmienić w menu Settings (Ustawienia).

1. Wybrać język z listy. Potwierdzić naciskając **OK**.
2. Wcisnąć **Done** (Gotowe) po zakończeniu aktualizacji.

## 5.3 Ustawianie daty i godziny

Datę i godzinę można zmienić w menu Date & Time (Data i godzina).

1. Nacisnąć przycisk **SETTINGS** (Ustawienia) i wybrać Date & Time (Data i godzina).
2. Zaktualizować informacje i godzinie i dacie:

Opcja	Opis
<b>Format</b>	Wybrać jeden z formatów dla daty i godziny: yyyy-mm-dd 24h (rrrr-mm-dd 24g) yyyy-mm-dd 12h (rrrr-mm-dd 12g) dd-mm-yyyy 24h (dd-mm-rrrr 24g) dd-mm-yyyy 12h (dd-mm-rrrr 12g) mm/dd/yyyy 24h (mm/dd/rrrr 24g) mm/dd/yyyy 12h (mm/dd/rrrr 12g)
<b>Data</b>	Wprowadzić bieżącą datę
<b>Godzina</b>	Wprowadzić bieżącą godzinę

Bieżąca data i godzina pojawią się na ekranie.

Po ustawieniu daty i godziny, miernik jest gotowy do dokonania odczytu.

## Rozdział 6 Standardowa obsługa

### 6.1 Stosowanie ID próbki

Tag ID próbki stosuje się w celu powiązania odczytów z konkretnymi lokalizacjami próbki. Jeśli przypisano, zapisane dane będą zawierały to ID.

1. Wybrać **Sample ID** (ID próbki) w menu Settings (Ustawienia).
2. Wybrać, utworzyć lub usunąć ID próbki:

Opcja	Opis
<b>Current ID (bieżące ID)</b>	Wybrać ID z listy. Bieżące ID zostanie powiązane z daną próbki aż do wyboru innego ID.
<b>Utworzyć nowe ID próbki</b>	Wprowadzić nazwę dla nowego ID próbki.
<b>Usunąć ID próbki</b>	Usunąć istniejące ID próbki.

### 6.2 Stosowanie ID operatora

Tag ID operatora wiąże odczyty z konkretnym operatorem. Wszystkie zapisane dane będą zawierały to ID.

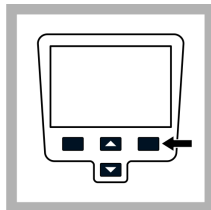
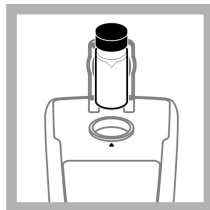
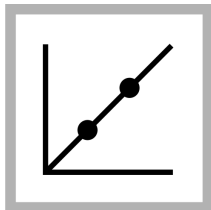
1. Wybrać **Operator ID** (ID operatora) w menu Settings (Ustawienia).
2. Wybrać, utworzyć lub usunąć ID operatora:

Opcja	Opis
<b>Current ID (bieżące ID)</b>	Wybrać ID z listy. Bieżące ID zostanie powiązane z daną próbki aż do wyboru innego ID.
<b>Utworzyć nowe ID operatora</b>	Wpisać nazwę nowego ID operatora (można wprowadzić maksymalnie 10 nazw).
<b>Usunąć ID operatora</b>	Usunąć istniejące ID operatora.

## Rozdział 7 Zaawansowana obsługa

### 7.1 Kalibracja mętnościomierza z użyciem wzorców StabiCal

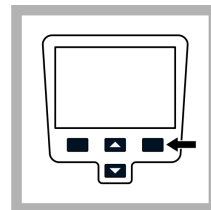
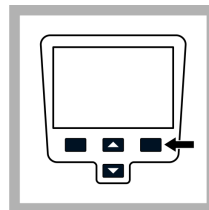
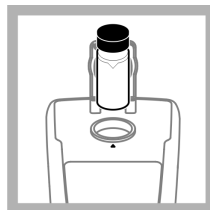
**Uwaga:** W celu uzyskania lepszej dokładności należy zastosować tę samą kuwetę lub 4 próbki połączone kuwetą w celu wykonania wszystkich odczytów podczas kalibracji. Wprowadzić kuwetę do przedziału kuwety instrumentu tak aby romb lub znacznik pokrył się z wywinętym znacznikiem na przedzie przedziału kuwety.



1. Nacisnąć przycisk **CALIBRATION** (Kalibracja) w celu wejścia do trybu kalibracji. Należy postępować według instrukcji na ekranie. **Uwaga:** Delikatnie odwrócić każdy standard przed jego włożeniem.

2. Wprowadzić 20 NTU StabiCal Standard i zamknąć pokrywę. **Uwaga:** Standard, który ma zostać umieszczony, znajduje się na brzegu.

3. Nacisnąć **Odczyt**. Ekran wyświetla Stabilizing (Stabilizacja), a następnie pokazuje wynik.



4. Powtórzyć krok 2 i 3 przy zastosowaniu 100 NTU i 800 NTU StabiCal Standard. **Uwaga:** Wcisnąć **Done** (Gotowe) w celu ukończenia drugiego punktu kalibracji.



5. Wcisnąć **Done** (Gotowe) w celu przejścia do szczegółów kalibracji.

6. Wcisnąć **Store** (Zapisz) w celu zapisania wyników. Po zakończeniu kalibracji, miernik automatycznie przejdzie w tryb Verify Cal (Sprawdź kal.). Dodatkowe informacje są dostępne na stronie internetowej producenta.

### 7.2 Tryby odczytu

1. Wcisnąć przycisk **UP** (w górę) lub **DOWN** (w dół) w celu wejścia do menu Reading Options (Opcje odczytu).
2. Wybrać Reading Mode (Tryb odczytu) w celu wybrania jednej z poniższych opcji:

Opcja	Opis
<b>Normal (Normalny) (ustawienie domyślne)</b>	Normalny odczyt odczytuje i uśrednia trzy odczyty. Wynik pojawia się po odczycie.

Opcja	Opis
<b>Signal Average</b>  (Średnia sygnału)	<p>Tryb Signal Average (Średnia sygnału) kompensuje wahania odczytów spowodowane przesunięciem cząsteczek próbki na ścieżce światła.</p> <p>Ikona X-bar pojawia się na ekranie kiedy sygnał jest uśredniany.</p> <p>Tryb Signal Average (Średnia sygnału) dokonuje pomiaru 12 razy i rozpoczyna wyświetlanie średniej po trzech odczytach. Końcowy wynik to średnia wszystkich 12 odczytów.</p>
<b>Rapidly Settling Turbidity (RST)</b> 	<p>Tryb Rapidly Settling Turbidity (RST) wylicza i stale uaktualnia odczyt mętności próbki z pewnością równą 95%, na podstawie skumulowanych trendów wartości mierzonych w czasie rzeczywistym.</p> <p>Tryb RST najlepiej stosować w przypadku próbek, które osiadają natychmiast i stale zmieniają wartość. Odczyt opiera się na właściwie przygotowanej próbce, która jest jednorodna na początku pomiaru. Tryb ten jest rekomendowany do zastosowań dla próbek o mętności większej niż 20 NTU. Próbkę należy dokładnie wymieszać poprzez inwersję bezpośrednio przed umieszczeniem w mierniku.</p> <p>Ikona celu pojawia się na ekranie kiedy włączony jest tryb Rapidly Settling Turbidity.</p> <p>Rapidly Settling Turbidity odczytuje i wylicza pięć odczytów przy natychmiastowym wyświetleniu wyników.</p>

## Rozdział 8 Konserwacja

### ▲ UWAGA



Wiele zagrożeń. Tylko wykwalifikowany personel powinien przeprowadzać prace opisane w tym rozdziale niniejszego dokumentu.

## 8.1 Czyszczenie miernika

Miernik został zaprojektowany, tak aby nie wymagał konserwacji i w celu normalnego działania nie wymaga regularnego czyszczenia. Zewnętrzne powierzchnie miernika można czyścić zgodnie z potrzebą.

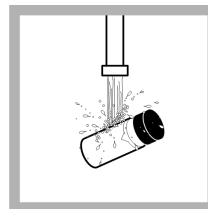
**Uwaga:** Nie wolno czyścić miernika za pomocą rozpuszczalnika w celu uniknięcia uszkodzenia materiału.

1. Miernik czyścić suchą lub wilgotną szmatką wolną od kurzu oraz kłacek. W przypadku zanieczyszczenia rozpuszczalnego w tłuszczu można zastosować łagodny roztwór mydła.

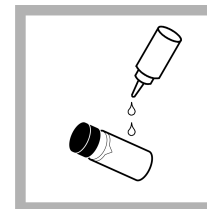
## 8.2 Nakładanie oleju silikonowego na kuwetę

Kuwety i zatyczki muszą być czyste i wolne od wyraźnych zadrapań. Nałożyć cienką warstwę oleju silikonowego na obudowę kuwety w celu ukrycia niewielkich niedoskonałości oraz zadrapań, które mogą przyczynić się do rozpraszania światła.

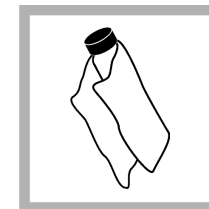
**Uwaga:** Należy stosować wyłącznie załączony olej silikonowy. Olej silikonowy posiada taki sam współczynnik załamania jak szkło kuwety.



1. Wyczyścić wewnętrzną i zewnętrzną część kuwety oraz zatyczki poprzez umycie detergentem do czyszczenia szkła laboratoryjnego. Następnie przepłukać kilkakrotnie wodą destylowaną lub zdemineralizowaną.



2. Nałożyć niewielką kroplę oleju silikonowego od góry ku dołowi kuwety.



3. Za pomocą załączonej szmatki rozprowadzić go równomiernie. Wytrzeć nadmiar oleju, tak aby pozostała tylko cienka warstwa. Należy upewnić się, że kuweta jest prawie sucha, a olej jest ledwo lub niewidoczny.  
**Uwaga:** Szmatkę do oleju należy przechowywać w plastikowym opakowaniu w celu zachowania jej czystości.

### 8.3 Przechowywanie kuwet

#### POWIADOMIENIE

Kuwet próbek nie należy suszyć na powietrzu .

**Uwaga:** Kuwety należy przechowywać zamknięte zatyczką w celu zapobiegania ich wysychaniu.

1. Napełnić kuwety próbek destylowaną lub zdemineralizowaną wodą.
2. Zatkać i przechowywać kuwetę próbki.
3. Wyczyścić do sucha zewnętrzną część kuwety próbki za pomocą miękkiej szmatki.

### 8.4 Wymiana baterii/akumulatorów

#### ▲ OSTRZEŻENIE



Niebezpieczeństwo wybuchu. Zużyte baterie mogą powodować gromadzenie się wodoru wewnątrz przyrządu. Baterie należy wymieniać przed upływem daty ważności. Urządzenia nie należy składować przez dłuższy czas z podłączoną baterią.

#### ▲ OSTRZEŻENIE

Potencjalne zagrożenie pożarem. W mierniku należy stosować wyłącznie baterie alkaliczne lub akumulatory nikielowo-wodorkowe (NiMH). Inne rodzaje baterii lub nieprawidłowa instalacja mogą skutkować pożarem. Nie wolno mieszać rodzajów baterii w mierniku.

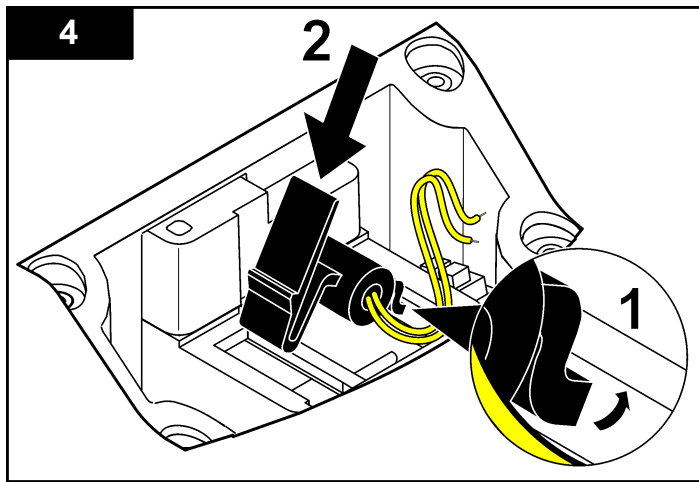
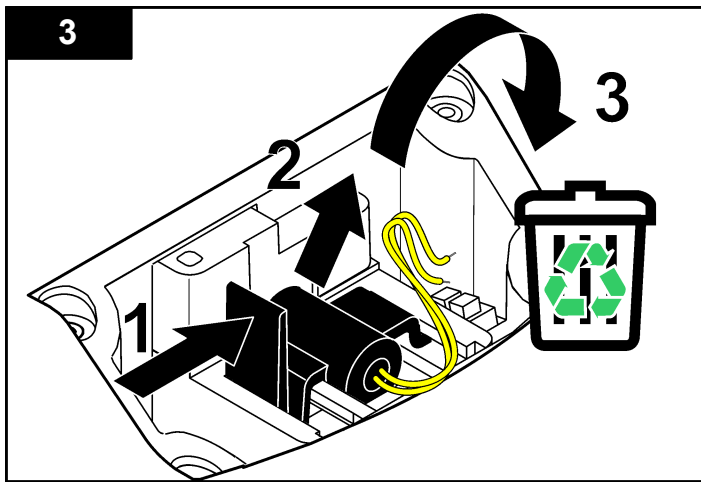
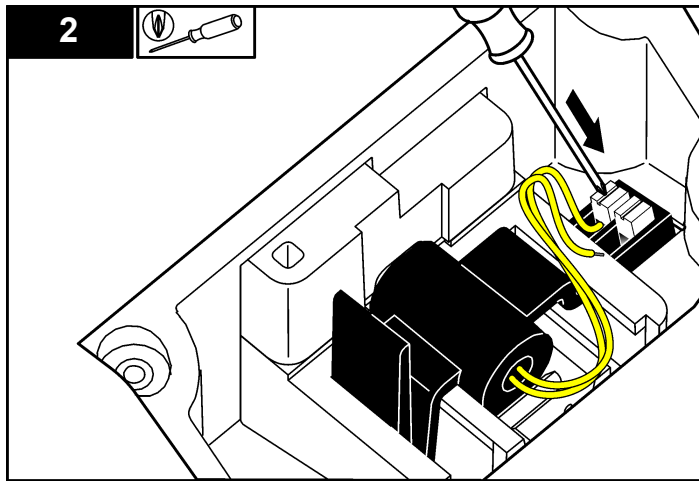
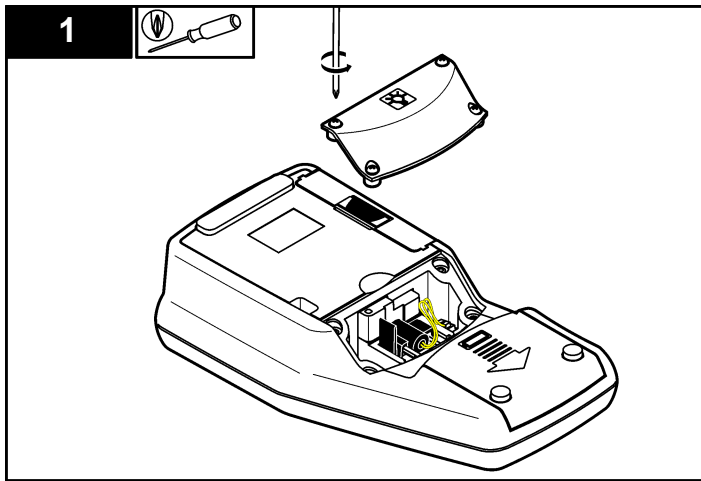
W celu wymiany baterii/akumulatorów, patrz [Instalacja baterii](#) na stronie 151.

1. Zdjąć pokrywę baterii/akumulatorów.
2. Wyjmij baterie.
3. Zainstaluj 4 baterie alkaliczne AA lub 4 akumulatory AA nikielowo-wodorkowe (NiMH). Zadbaj o włożenie baterii we właściwej orientacji.
4. Umieść ponownie pokrywę baterii/akumulatorów.

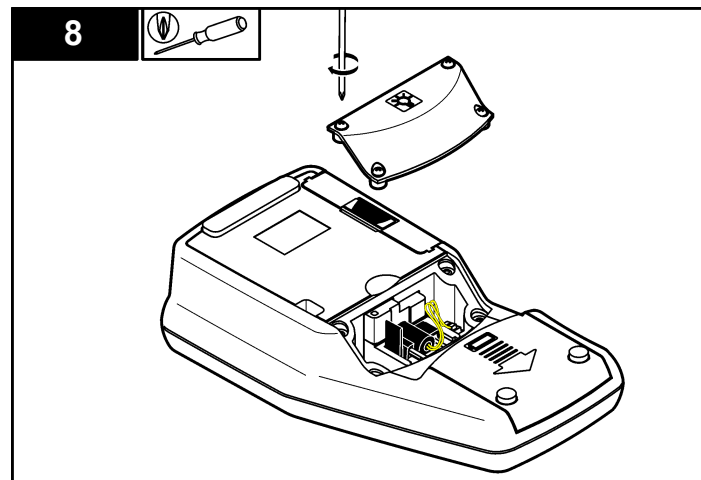
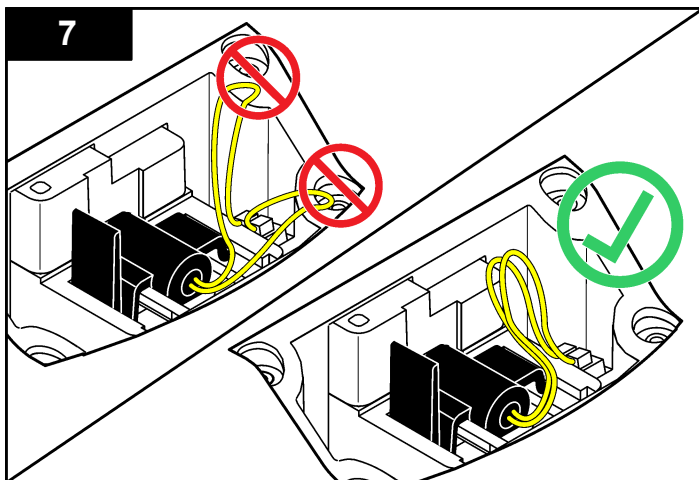
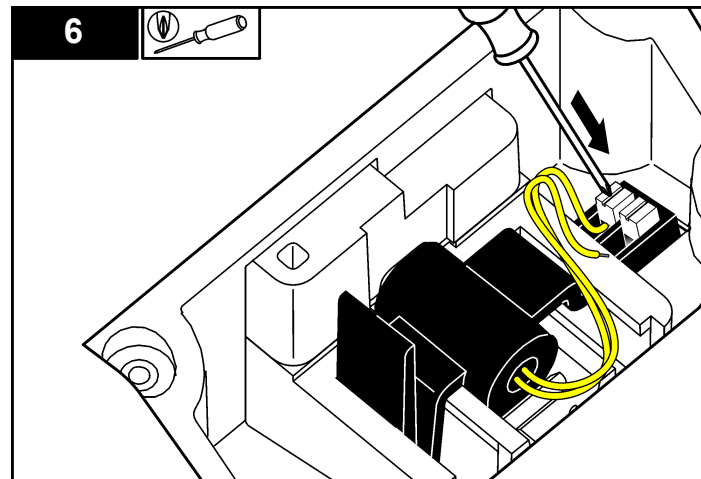
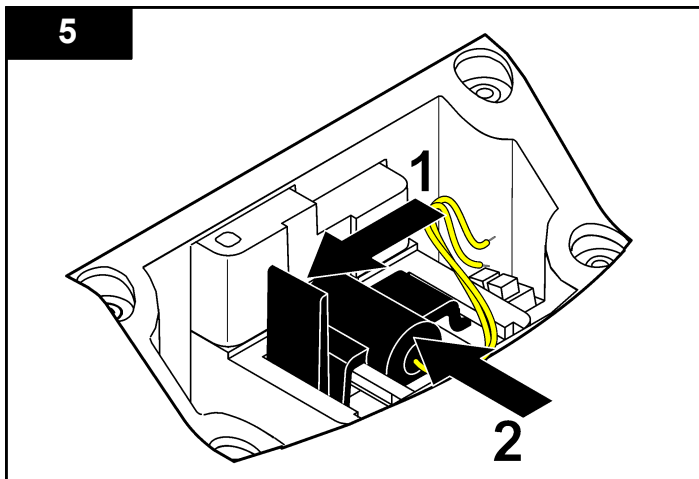
### 8.5 Wymień lampę

#### ▲ UWAGA

Zagrożenie oparzeniem. Odczekać aż lampa ostygnie. Kontakt z gorącą lampą może spowodować oparzenia.







## Rozdział 9 Rozwiązywanie problemów

Poniższa tabela przedstawia często występujące komunikaty problemów lub symptomy, przyczyny problemów oraz działania naprawcze.

Błąd/Ostrzeżenie	Opis	Rozwiązanie
<b>Zamknąć pokrywę i wcisnąć Read (Odczyt).</b>	Otwarta pokrywa lub wykrycie pokrywy nie powiodło się.	Upewnić się, że pokrywa jest zamknięta podczas odczytu i ponownego odczytu.
<b>Słaba bateria!</b>	Niski poziom baterii.	<ul style="list-style-type: none"> <li>• Włożyć nowe baterie</li> <li>• Podłączyć moduł USB/zasilania jeśli stosowane są akumulatory</li> </ul>
<b>Błąd ADC!</b>	Błąd sprzętowy powodujący błąd odczytu.	Powtórzyć odczyt.
<b>Sygnal detektora za słaby!</b>	Niewystarczające światło na detektorze 180°.	<ul style="list-style-type: none"> <li>• Sprawdzić pod kątem zatkanej ścieżki światła.</li> <li>• Sprawdzić lampę.</li> </ul>
<b>Za duży zakres!</b>	Zbyt duża mętność spowodowana prawdopodobnie kalibracją wyłącznie za pomocą RapidCal.	<ul style="list-style-type: none"> <li>• Skalibrować górny zakres.</li> <li>• Rozcieńczyć próbkę.</li> </ul>
<b>Za mały zakres!</b>	Zmierzona absorbancja jest poniżej zakresu kalibracji.	Powtórzyć kalibrację

Błąd/Ostrzeżenie	Opis	Rozwiązanie
<b>Proszę sprawdzić lampę!</b>	Sygnaly są zbyt słabe na detektorze 90° i 180°.	<p><b>2100Q:</b> Uszkodzona lampa. Wymienić lampę (patrz <a href="#">Wymienić lampę</a> na stronie 159).</p> <p><b>2100Qis:</b> Skontaktować się z wsparciem technicznym.</p>
<b>Temperatura zbyt wysoka! Wyłącz urządzenie.</b>	Temperatura przekroczyła limity miernika (>60 °C lub >140 °F).	Wyłączyć miernik i pozostawić do ochłodzenia.
<b>RST: Wartość średnia!</b>	Ciała stałe opadają zbyt wolno. Tryb odczytu jest niedostępny dla tej próbki.	Wybrać tryb odczytu Normal (Normalny) lub Signal Average (Średnia sygnału).
<b>Poziom pewności &lt; 95%</b>	Tryb odczytu Rapidly Settling Turbidity nie spełnia zakresu ≥ 95% pewności.	<ul style="list-style-type: none"> <li>• Kilkakrotnie odwrócić próbkę w celu przydzielenia ciał stałych. Powtórzyć odczyt.</li> <li>• Przełączyć do trybu odczytu Normal (Normalny) jeśli próbka jest stabilna i nie ma osadzonych ciał stałych.</li> </ul>

Błąd/Ostrzeżenie	Opis	Rozwiązanie
<b>Wartość wzorca poza zakresem. Włóż wzorzec i naciśnij Odczyt</b>	Zastosowano nieprawidłową wartość wzorca do odczytu.	Włożyć właściwy standard i odczytać ponownie.
<b>ID jest używany. Podaj nowy ID</b>	ID operatora lub próbki jest niedostępne, ponieważ zostało już przydzielone.	Utworzyć nowe ID.
<b>Błąd - Zabezpieczenia Przed włączeniem zabezpieczeń ustaw hasło</b>	Nie utworzono hasła.	Utworzyć nowe hasło.
<b>Wpisz przynajmniej jeden znak.</b>	Hasło musi zawierać przynajmniej jeden znak.	Utworzyć hasło z przynajmniej jednego znaku.
<b>Niepopr. hasło. Spróbuj ponownie.</b>	Wprowadzono niepoprawne hasło.	Wprowadzić poprawne hasło.
<b>Odłącz kabel USB od komputera.</b>	Magazyn danych nie odpowiada, przy podłączeniu do miernika i komputera.	Odłączyć kabel USB od komputera i spróbować ponownie wysłać dane.
<b>Pamięć mod. USB jest pełna. Usuń dane i spróbuj ponownie.</b>	Magazyn danych jest pełen.	<ol style="list-style-type: none"> <li>1. Podłączyć moduł USB/zasilania do komputera.</li> <li>2. Pobrać zapisane dane do komputera.</li> <li>3. Usunąć Rejestr danych w module.</li> </ol>

Błąd/Ostrzeżenie	Opis	Rozwiązanie
<b>Usuwanie ostatniego odczytu nie powiodło się!</b>	Błąd w magazynie danych.	Włączyć i wyłączyć miernik. Jeżeli komunikat nadal występuje, skontaktować się z działem Pomocy Technicznej.
<b>Usunięcie rejestru danych nie powiodło się!</b>		
<b>Nie można odczytać zbioru danych!</b>		
<b>Nie można zapisać danych!</b>		
<b>Nie można zapisać w rejestrze odczytów!</b>		
<b>Nie można zapisać w rejestrze weryf. kal!</b>		
<b>Błąd zapisu danych!</b>		
<b>Błąd odczytu danych!</b>		

## Innehållsförteckning

- 1 [Specifikationer](#) på sidan 164
- 2 [Allmän information](#) på sidan 165
- 3 [Installation](#) på sidan 168
- 4 [Användargränssnitt och navigering](#) på sidan 169
- 5 [Start](#) på sidan 171
- 6 [Standardätgärd](#) på sidan 171
- 7 [Avancerade funktioner](#) på sidan 172
- 8 [Underhåll](#) på sidan 174
- 9 [Felsökning](#) på sidan 177

## Avsnitt 1 Specifikationer

Specifikationerna kan ändras utan föregående meddelande.

Specifikation	Information
Mätmetod	Turbidimetrisk bestämning med Ratio-teknik som innebär att den primära nephleometriska spridningen (90 °C) och transmittansen för en ljussignal mäts.
Myndighetskrav	<b>2100Q:</b> uppfyller EPA Method 180.1
Lampa	<b>2100Q:</b> Volframglödlampa <b>2100Qis:</b> Lysdiod (LED)
Intervall	0–1000 NTU (FNU)
Noggrannhet	±2 % av mätvärdet plus ströjljus från 0 - 1 000 NTU (FNU)
Repeterbarhet	±1 % av mätvärdet eller 0,01 NTU (FNU), det högsta värdet.
Upplösning	0,01 NTU vid det lägsta intervallet
Ströjljus	≤ 0,02 NTU (FNU)
Signalmedelvärdede	Valbar på eller av
Detektor	Kiselfotodiod

Specifikation	Information
Överspanningskategori	II
Höjd	2000 m (6562 ft) maximalt
Mätlägen	Normal (tryck för att mäta), signalmedelvärde eller Rapidly Settling Turbidity
Kalibreringsalternativ	En punkt RapidCal för myndighetsrapportering på låg nivå från 0 - 40 NTU (FNU) Fullskalig kalibrering från 0 - 1 000 NTU (FNU) Kalibrering mot turbiditetsgrad.
Kalibreringslogg	Sparar de 25 senaste lyckade kalibreringarna
Verifieringslogg	Loggar de 250 senaste verifieringarna
Datalogg	500 poster
Strömkrav	Batteridrivna: 6 VDC maximalt (4 NiMH 1,2 V AA-batterier eller 4 alkaliska 1,5 V AA-batterier) Extern strömförsörjning: 100–240 VAC ± 10%; utgång 5 W (9 VDC, maximalt 600 mA)
Användningsförhållanden	Temperatur: 0 till 50 °C (32 till 122 °F) Relativ luftfuktighet: 0–90 % vid 30 °C, 0–80 % vid 40 °C, 0–70 % vid 50 °C, icke kondenserande
Lagringsförhållanden	-40 till 60 °C (-40 to 140 °F), endast instrumentet
Gränssnitt	USB (tillbehör)
Provvolymer	15 ml (0,5 oz.)
Provkvetter	Runda kvetter 60 x 25 mm (2.36 x 1 tum) borosilikatglas med skruvlock
Mått	22.9 x 10.7 x 7.7 cm (9.0 x 4.2 x 3.0 tum)

Specifikation	Information
Vikt	530 g (1.17 lb) utan batterier 620 g (1,37 lb) med fyra alkaliska AA-batterier
Klassning av mätarens kapsling	IP67 (med stängd lucka, exklusive batteri och modulfack)
Skyddsklass	2100Q/is: Klass III Strömförsörjning: klass II
Föroreningsgrad	2
Miljöförhållanden	Användning inomhus och utomhus
Certifiering	CE-certifierad
Garanti	1 år (EU: 2 år)

## Avsnitt 2 Allmän information

Tillverkaren är under inga omständigheter ansvarig för direkta, särskilda, indirekta eller följdskador som orsakats av eventuellt fel eller utelämnande i denna bruksanvisning. Tillverkaren förbehåller sig rätten att göra ändringar i denna bruksanvisning och i produkterna som beskrivs i den när som helst och utan föregående meddelande och utan skyldigheter. Reviderade upplagor finns på tillverkarens webbsida.

### 2.1 Säkerhetsinformation

Tillverkaren tar inget ansvar för skador till följd av att produkten används på fel sätt eller missbrukas. Det omfattar utan begränsning direkta skador, oavsiktliga skador eller följdskador. Tillverkaren avsäger sig allt ansvar i den omfattning gällande lag tillåter. Användaren är ensam ansvarig för att identifiera kritiska användningsrisker och installera lämpliga mekanismer som skyddar processer vid eventuella utrustningsfel.

Läs igenom hela handboken innan instrumentet packas upp, monteras eller startas. Följ alla faro- och varningshänvisningar. Om dessa anvisningar inte följs kan användaren utsättas för fara eller utrustningen skadas.

Kontrollera att skyddet som ges av den här utrustningen inte är skadat. Utrustningen får inte användas eller installeras på något annat sätt än så som specificeras i den här handboken.

### 2.2 Anmärkning till information om risker

#### ▲ FARA

Indikerar en potentiellt eller överhängande riskfylld situation som kommer att leda till livsfarliga eller allvarliga skador om den inte undviks.

#### ▲ VARNING

Indikerar en potentiellt eller överhängande riskfylld situation som kan leda till livsfarliga eller allvarliga skador om situationen inte undviks.

#### ▲ FÖRSIKTIGHET




Indikerar en potentiellt riskfylld situation som kan resultera i lindrig eller måttlig skada.

#### ANMÄRKNING:

Indikerar en potentiellt riskfylld situation som kan medföra att instrumentet skadas. Information som användaren måste ta hänsyn till vid hantering av instrumentet.

### 2.3 Säkerhetsetiketter

Beakta samtliga dekalerna och märken på instrumentet. Personskador eller skador på instrumentet kan uppstå om de ej beaktas. En symbol på instrumentet beskrivs med en försiktighetsvarning i bruksanvisningen.

	Detta är symbolen för säkerhetsvarningar. Följ alla säkerhetsanvisningar som följer efter denna symbol för att undvika potentiella skador. Om den sitter på instrumentet - se bruksanvisningen för information om drift eller säkerhet.
	Denna symbol indikerar risk för elektrisk stöt och/eller elchock.
	Elektrisk utrustning markerad med denna symbol får inte avyttras i europeiska hushållsavfallssystem eller allmänna avfallssystem. Returnera utrustning som är gammal eller har nått slutet på sin livscykel till tillverkaren för avyttring, utan kostnad för användaren.

## 2.4 Efterlevnad och certifiering

### ▲ FÖRSIKTIGHET

Denna utrustning är inte avsedd att användas i bostadsmiljöer och kan inte ge tillräckligt med skydd mot radiomottagning i sådana miljöer.

#### Canadian Radio Interference-causing Equipment Regulation, ICES-003, Klass A:

Referenstestresultat finns hos tillverkaren.

Den digitala apparaten motsvarar klass A och uppfyller alla krav enligt kanadensiska föreskrifter för utrustning som orsakar störning.

Cet appareil numérique de classe A répond à toutes les exigences de la réglementation canadienne sur les équipements provoquant des interférences.

#### FCC del 15, klass "A" gränser

Referenstestresultat finns hos tillverkaren. Denna utrustning uppfyller FCC-reglerna, del 15. Användning sker under förutsättning att följande villkor uppfylls:

1. Utrustningen bör inte orsaka skadlig störning.
2. Utrustningen måste tåla all störning den utsätts för, inklusive störning som kan orsaka driftsstörning.

Ändringar eller modifieringar av utrustningen, som inte uttryckligen har godkänts av den part som ansvarar för överensstämelsen, kan ogiltigförklara användarens rätt att använda utrustningen. Den här utrustningen har testats och faller inom gränserna för en digital enhet av klass A i enlighet med FCC-reglerna, del 15. Dessa gränser har tagits fram för att ge rimligt skydd mot skadlig störning när utrustningen används i en kommersiell omgivning. Utrustningen genererar, använder och kan utstråla radiofrekvensenergi och kan, om den inte installeras och används enligt handboken, leda till skadlig störning på radiokommunikation. Användning av utrustningen i bostadsmiljö kan orsaka skadlig störning. Användaren ansvarar då för att på egen bekostnad korrigera störningen. Följande tekniker kan användas för att minska problemen med störningar:

1. Koppla ifrån utrustningen från strömkällan för att kontrollera om detta utgör orsaken till störningen eller inte.
2. Om utrustningen är kopplad till samma uttag som enheten som störs ska den kopplas till ett annat uttag.
3. Flytta utrustningen bort från den utrustning som tar emot störningen.
4. Positionera om mottagningsantennen för den utrustning som tar emot störningen.
5. Prova med kombinationer av ovanstående.

## 2.5 Produktöversikt

2100Q och 2100Qis portabla turbidimeter mäter turbiditet från 0 till 1000 NTU (FNU). Den portabla mätaren är framför allt till för arbete i fält och drivs med 4 AA-batterier. Data kan sparas och föras över till en skrivare, dator eller USB-lagringsenhet.



## Avsnitt 3 Installation

### ⚠ FÖRSIKTIGHET



Flera risker. Endast kvalificerad personal får utföra de moment som beskrivs i den här delen av dokumentet.

### 3.1 Installera batteriet

#### ⚠ VARNING



Explosionsrisk. Ett utgången batteri kan orsaka att vätgas ansamlas i instrumentet. Byt ut batteriet innan det går ut. Förvara inte instrumentet under långa perioder med batteri installerat.

#### ⚠ VARNING

Potentiell brandrisk. Använd endast alkaliska eller nickelmetallhydridbatterier (NiMH) i mätaren. Andra batterityper eller felaktig installation kan orsaka brand. Blanda inte olika typer av batterier i mätaren.

#### ANMÄRKNING:

Batterifacket är inte vattentätt. Om batterifacket blir fuktigt ska det tas bort, batterierna torkas av och fackets insida torkas av. Kontrollera att batteriernas kontakter inte är korroderade och rengör dem om nödvändigt.

#### ANMÄRKNING:

När nickelmetallhydridbatterier (NiMH) används kommer inte batteriikonen att visa full laddning när nyladdade batterier installerats (NiMH-batterier är 1,2 V mot 1,5 V för alkaliska batterier). Även om ikonen inte indikerar full laddning kommer 2300 mAh NiMH-batterier att uppnå 90 % av instrumentets drifttid (före återuppladdning) jämfört med nya alkaliska batterier.

#### ANMÄRKNING:

Ta bort batterierna om utrustningen inte ska användas under en längre tid för att förhindra att mätaren skadas av eventuellt läckage från batterierna.

Mätaren drivs med alkaliska AA-batterier eller laddningsbara NiMH-batterier. För att spara batteritid stänger mätaren ner när den varit oanvänd under 10 minuter, och bakgrundsbelysningen stänger ner efter 30 sekunder. Denna tid kan ställas in i menyn Power Management (batterihantering)

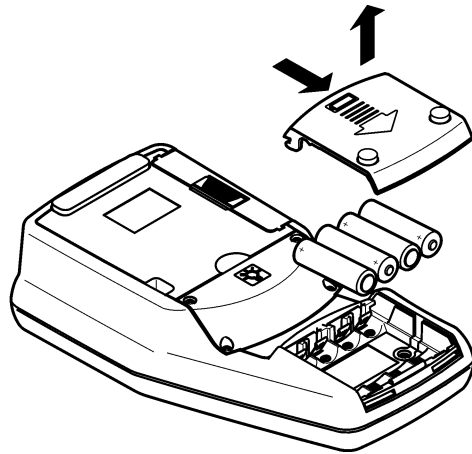
**Observera:** Laddningsbara batterier laddas bara med USB/strömmodulen. Mer information finns i dokumentationen till modulen.

Mer information om hur man installerar batteriet finns i [Figur 3](#).

1. Ta av batterilocket.
2. Installera 4 st. alkaliska AA-batterier eller 4 st. nickelmetallhydridbatterier (NiMH). Se till att batterierna installeras med rätt polaritet.
3. Sätt tillbaka batterilocket.



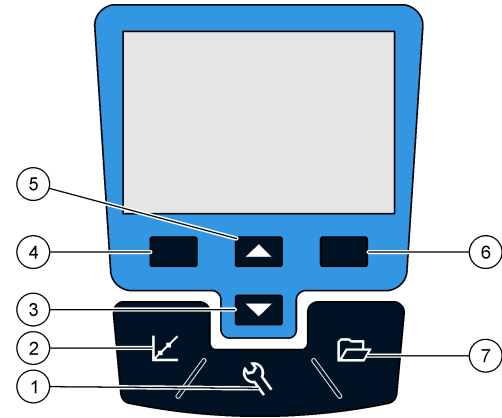
Figur 3 Batteriinstallation



## Avsnitt 4 Användargränssnitt och navigering

### 4.1 Användargränssnitt

Figur 4 Beskrivning av knappsatsen

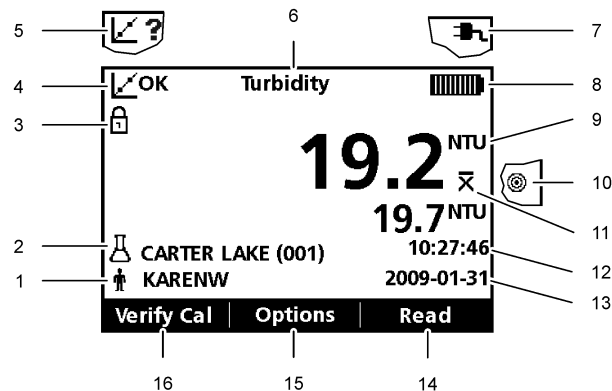


1 Knappen <b>INSTÄLLNINGAR</b> : markera denna meny punkt för att göra inställningar.	5 Knappen <b>UPP</b> : rulla genom menyerna, ange siffror och bokstäver
2 Knappen <b>KALIBRERING</b> : visar kalibrerings skärmen, startar kalibrering, välj kal.-alternativ	6 Knappen <b>HÖGER</b> (beroende på sammanhang): mät grumlighetsprov, markerar eller bekräftar alternativ, öppnar/flyttar till undermenyer
3 Knappen <b>NER</b> : rulla genom menyerna, ange siffror och bokstäver	7 Knappen <b>DATAHANTERING</b> : visa, ta bort eller flytta sparad data.
4 Knappen <b>VÄNSTER</b> : (beroende på sammanhang): åtkomst till kalibreringsverifiering, avbryter eller avslutar aktuell menyskärm och återgår till den tidigare menyskärmen.	

## 4.2 Beskrivning av displayen.

Skärmen vid mätning visar grumlighet, enhet, kalibreringsstatus, datum och tid, användar-ID (om inställt) och prov-ID (om inställt). Se [Figur 5](#).

Figur 5 Visning på en skärm



1 Användaridentifiering	9 NTU (Nephelometric Turbidity Unit) eller FNU (Formazin Turbidity Unit)
2 Providentifiering	10 Mätläge: Rapidly Settling Turbidity (målkon)
3 Stabilitets- eller displaylåslåsindikator	11 Mätläge: medelvärde (ikon x)
4 Indikator för kalibreringsstatus (Kalibrering OK = godkänd)	12 Time (tid)
5 Indikator för kalibreringsstatus (Kalibrering ? = underkänd)	13 Datum
6 Parameter	14 Mät (beroende på sammanhang)
7 Nätsströmsikon	15 Alternativ (beroende på sammanhang)
8 Batteriikon	16 Kalibreringsverifiering

### 4.3 Navigering

Mätaren har följande menyer för att ändra olika alternativ: Inställningar, Mätalternativ och Alternativ för kalibreringsverifiering. Använd knapparna **UPP** och **NER** för att markera olika alternativ. Tryck på knappen **HÖGER** för att välja ett alternativ. Det finns två sätt att ändra alternativ:

1. Välj ett alternativ från listan: Använd knapparna **UPP** och **NER** för att välja ett alternativ. Om det finns kryssrutor kan mer än ett alternativ väljas. Tryck på knappen **VÄNSTER** under **MARKERA**.

**Observera:** Avmarkera kryssrutorna genom att trycka på knappen **VÄNSTER** under **AVMARKERA**.

2. Ange ett alternativt värde genom att använda piltangenterna: Ange ett värde genom att trycka på knapparna **UPP** och **NER**.
3. Flytta till nästa position genom att trycka på knappen **HÖGER**.
4. Godkänn värdet genom att trycka på knappen **HÖGER** under **OK**.

## Avsnitt 5 Start

### 5.1 Sätt på och stäng av mätaren



Tryck på knappen **PÅ/AV** för att sätta på och stänga av mätaren. Om mätaren inte slår på, kontrollera att batterierna, eller modulen, är korrekt installerade och att nätströmmen är korrekt ansluten till ett eluttag.

**Observera:** Alternativet automatisk avstängning kan också användas för att stänga av mätaren. Mer information finns på tillverkarens webbplats.

### 5.2 Byt språk

Det finns tre alternativ för språkinställningen:

- Språket väljs när mätaren slås på för första gången.
- Språket väljs när strömbrytarknappen trycks in och hålls intryckt.
- Språket kan ändras i menyn Inställningar.

1. Välj ett språk i listan. Bekräfta med **OK**.
2. Tryck på **Klar** när uppdateringen är gjord.

### 5.3 Ändra datum och tid

Datum och tid kan ändras från menyn Date & Time.

1. Tryck på knappen **INSTÄLLNINGAR** och välj Datum & tid
2. Uppdatera tid och datum:

Alternativ	Beskrivning
<b>Format</b>	Välj ett format för visning av datum och tid: åååå-mm-dd 24h åååå-mm-dd 12h dd-mm-åååå 24h dd-mm-åååå 12h mm/dd/åååå 24h mm/dd/åååå 12
<b>Datum</b>	Ange aktuellt datum
<b>Tid</b>	Ange aktuell tid

Aktuellt datum och tid visas på skärmen.

När inställningen av datum och tid är klar är mätaren redo att göra en mätning.

## Avsnitt 6 Standardåtgärd

### 6.1 Använd ett prov-ID.

Etiketten prov-ID används för att koppla mätningar till ett särskilt provställe. Om ID tilldelats kommer lagrad data att inkludera detta ID.

1. Välj **prov-ID** i menyn Inställningar.
2. Välj, skapa eller ta bort ett prov-ID:

Alternativ	Beskrivning
<b>Aktuellt ID</b>	Välj ett ID från en lista. Aktuellt ID kommer att kopplas till provdata tills ett annat ID väljs.
<b>Skapa ett nytt prov-ID</b>	Ange ett namn för ett nytt prov-ID.
<b>Ta bort prov-ID</b>	Ta bort ett befintligt prov-ID.

## 6.2 Använd användar-ID

Användar-ID kopplas till mätningar. All lagrad data kommer att inkludera detta ID.

1. Välj **användar-ID** i menyn Inställningar.
2. Välj, skapa eller ta bort ett användar-ID:

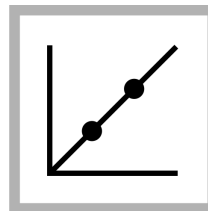
Alternativ	Beskrivning
<b>Aktuellt ID</b>	Välj ett ID från en lista. Aktuellt ID kommer att kopplas till provdata tills ett annat ID väljs.
<b>Skapa ett nytt användar-ID</b>	Ange ett namn för ett nytt användar-ID (upp till 10 namn kan anges).
<b>Ta bort användar-ID</b>	Ta bort ett befintligt användar-ID.

## Avsnitt 7 Avancerade funktioner

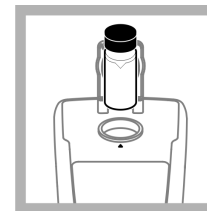
### 7.1 Kalibrera turbidimetern med StabCal-standarder

**Observera:** Bästa noggrannhet får du om du använder samma provcell eller fyra matchande provceller för alla mätningar vid kalibreringen. Sätt i provcellen i

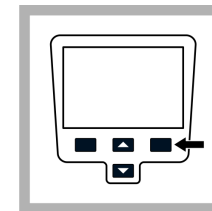
instrumentets cellfack så att pilen eller riktningssmarkeringen kommer jäms med den upphöjda riktningssmarkeringen framför cellfacket.



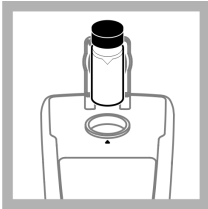
1. Tryck på knappen **KALIBRERING** för att gå in i kalibreringsläget. Följ instruktionerna på displayen. **Observera:** Vänd på varje standard försiktigt innan du sätter in den.



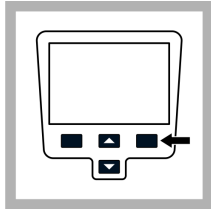
2. Sätt i 20 NTU StabCal-standarden och stäng locket. **Observera:** Standarden som ska sättas i är markerad på skärmen.



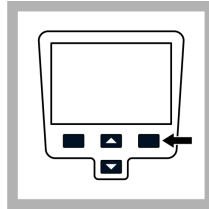
3. Tryck på **Läs**. Displayen visar Stabiliserar ... och visar sedan resultatet.



4. Upprepa steg 2 och 3 med 100 NTU och 800 NTU StablCal-standarderna.  
**Observera:** Tryck på **Klar** för att avsluta en 2-punktskalibrering.



5. Tryck på **Klar** för att se kalibreringsinformationen.



6. tryck på **Spara** för att spara resultaten. När en kalibrering är klar går mätaren automatiskt över till läget Bekräfta kal. Mer information finns på tillverkarens webbplats.

## 7.2 Mätlägen

1. Tryck på knappen **UPP** eller **NER** för att öppna menyn Mätalternativ.
2. Välj mätläge för att välja ett av följande alternativ:

Alternativ	Beskrivning
<b>Normal (grundinställning)</b>	I normalläget beräknas ett medelvärde från tre mätningar. Resultatet visas efter mätvärdet.

### Alternativ

#### Signalmedelvärde



### Beskrivning

Signalmedelläget kompenserar för fluktuationer i mätningen som orsakas av provpartiklar som flyter i ljusbanan.

Xbar-ikonen visas på displayen när signalmedel är aktiverat.

I läget signalmedel görs 12 mätningar och medelvärdet börjar visas efter tre mätningar. Slutresultatet är ett medelvärde av alla 12 mätningarna.

#### Rapidly Settling Turbidity (RST)



Läget Rapidly Settling Turbidity (RST) beräknar och uppdaterar grumlighetsmätningen i provet kontinuerligt till en konfidensnivå på 95 % baserat på den ackumulerade trenden för realtidsmätvärdena.

RST-läget används främst på prover som sedimenterar snabbt och vars värden ändras kontinuerligt. Mätningen baseras på ett korrekt förberett prov som är homogent vid mätningens början. Den lämpar sig bäst för prover där turbiditeten är större än 20 NTU. Provet måste blandas väl genom att vändas innan det sätts in i mätaren.

Målikonen visas på displayen när Rapidly Settling Turbidity är aktiverat.

Rapidly Settling Turbidity utför och beräknar fem mätningar medan tillfälliga resultat visas.

## Avsnitt 8 Underhåll

### ▲ FÖRSIKTIGHET



Flera risker. Endast kvalificerad personal får utföra de moment som beskrivs i den här delen av dokumentet.

### 8.1 Rengör mätaren

Mätaren är utvecklad för att vara underhållsfri och kräver inte regelbunden rengöring vid normal drift. Mätarens utsida kan göras ren vid behov.

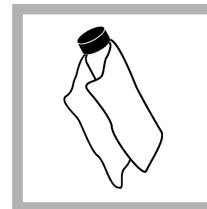
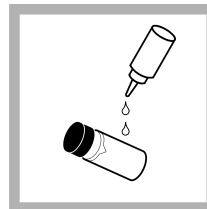
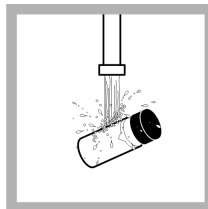
**Observera:** Rengör inte mätaren med lösningsmedel vilket kan skada materialet.

1. Rengör mätaren med en damm- och fiberfri eller lätt fuktad trasa. En mild tvållösning kan användas för fettlöslig smuts.

### 8.2 Applicera silikonolja på en provcell

Provceller och lock måste vara ytterst rena och fria från betydande repor. Applicera ett tunt lager silikonolja på en av provcellernas utsida för att dölja mindre defekter och repor som kan bidra till ljusspridning.

**Observera:** Använd endast den medföljande silikonoljan. Denna silikonolja har samma brytningsindex som provcellens glas.



1. Gör rent cellernas och lockens in- och utsida genom att tvätta dem med ett rengöringsmedel för laboratorieglass. Skölj sedan flera gånger med destillerat eller demineraliserat vatten.

2. Applicera en liten droppe silikonolja från topp till botten på cellen.

3. Använd den medföljande torktrasan för att sprida ut oljan jämnt. Torka bort överskottet så att endast en tunn hinna blir kvar. Se till att provcellen är nästan torr med lite eller ingen synlig olja.  
**Observera:** Förvara torktrasan i en plastpåse så att den hålls ren.

### 8.3 Förvara provcellerna

#### ANMÄRKNING:

Lufttorka inte provcellerna.

**Observera:** Förvara alltid provcellerna med locket på för att förhindra att de torkar ut.

1. Fyll provcellerna med destillerat eller demineraliserat vatten.
2. Sätt på locket och lagra provcellerna.
3. Torka av provcellernas utsida med en mjuk trasa.

## 8.4 Byta batteriet

### ⚠ VARNING



Explosionsrisk. Ett utgången batteri kan orsaka att vätgas ansamlas i instrumentet. Byt ut batteriet innan det går ut. Förvara inte instrumentet under långa perioder med batteri installerat.

### ⚠ VARNING

Potentiell brandrisk. Använd endast alkaliska eller nickelmetallhydridbatterier (NiMH) i mätaren. Andra batterityper eller felaktig installation kan orsaka brand. Blanda inte olika typer av batterier i mätaren.

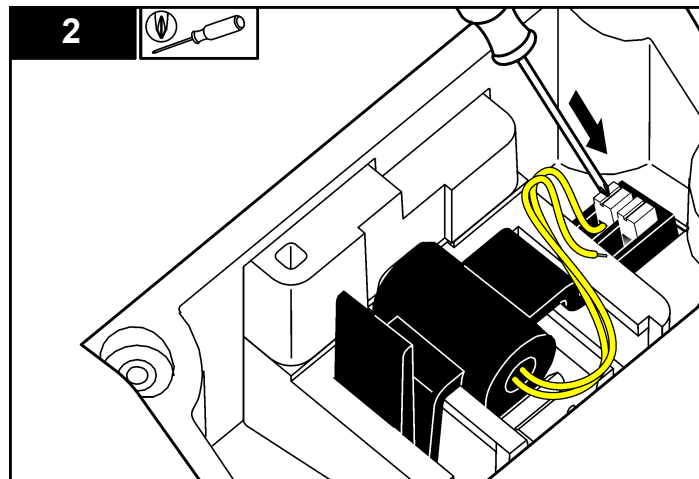
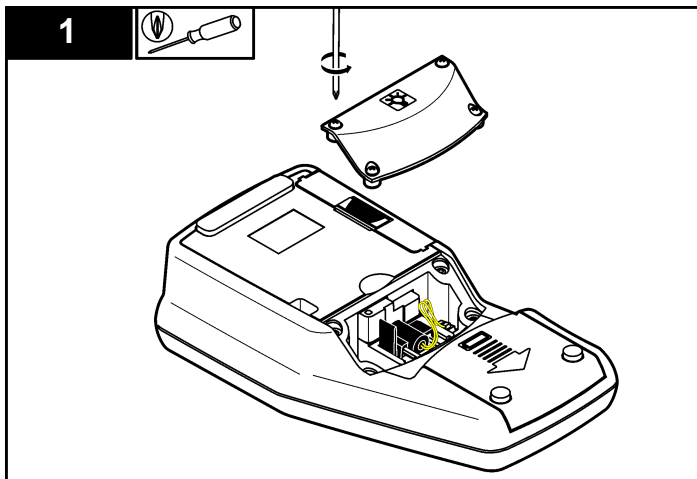
Mer information om hur man byter ut batteriet finns i [Installera batteriet](#) på sidan 168.

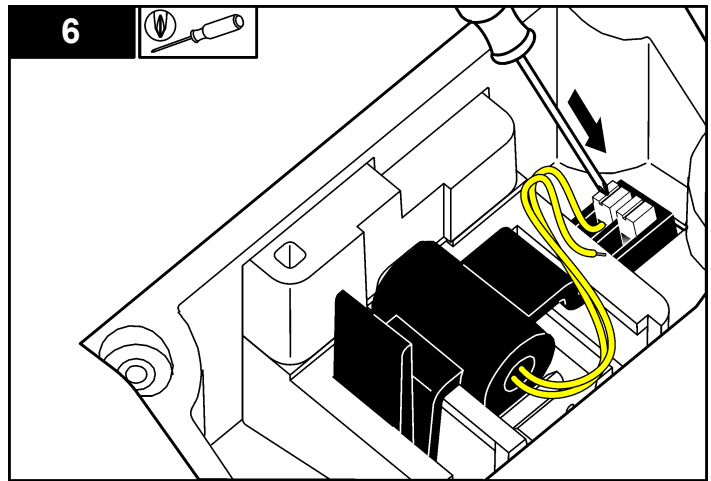
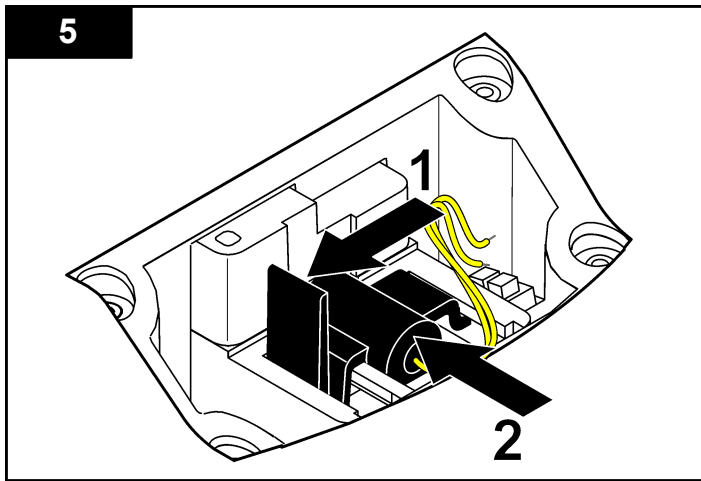
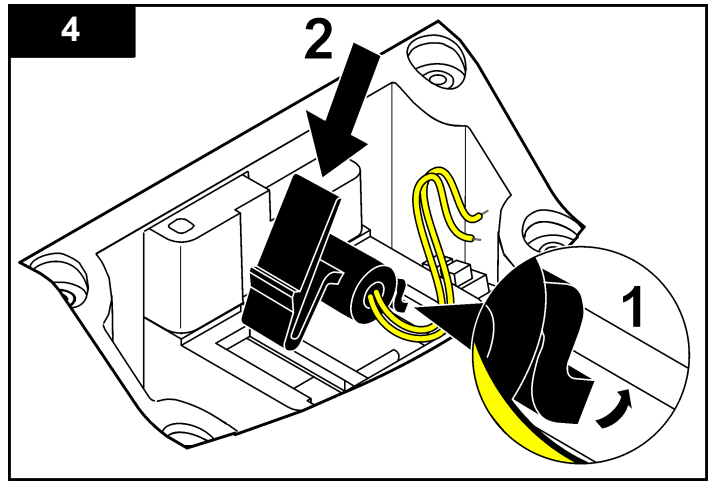
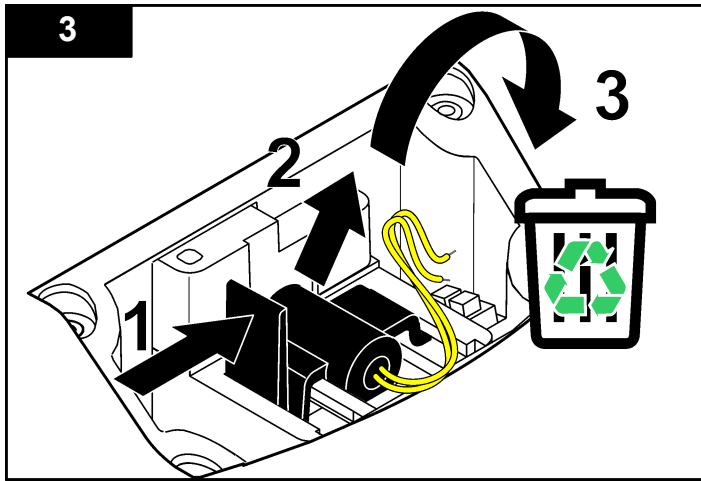
1. Ta av batterilocket.
2. Ta bort batterierna.
3. Installera 4 st. alkaliska AA-batterier eller 4 st. nickelmetallhydridbatterier (NiMH). Se till att batterierna installeras med rätt polaritet.
4. Sätt tillbaka batterilocket.

## 8.5 Byt ut lampan

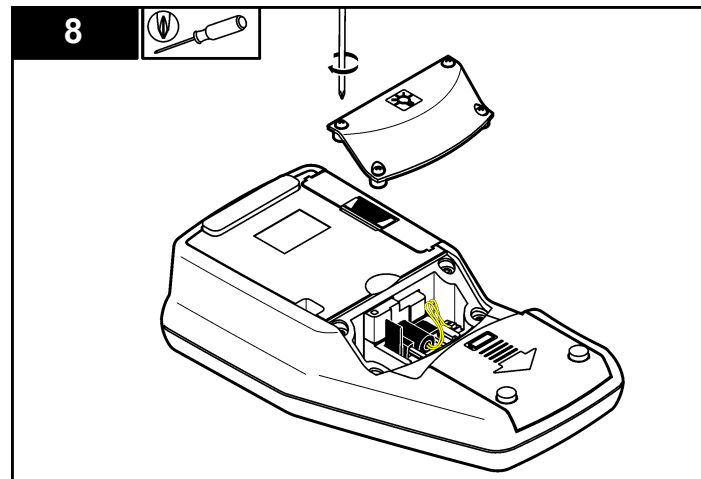
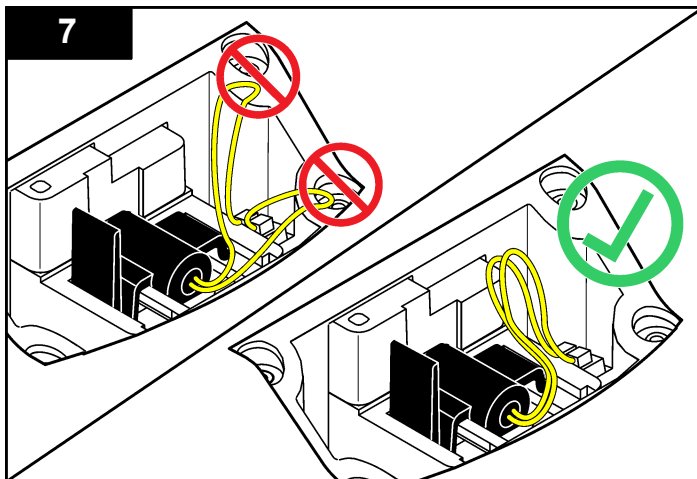
### ⚠ FÖRSIKTIGHET

Risk för brännskada. Vänta tills lampan har svalnat. Hudkontakt med den heta lampan kan orsaka brännskador.









## Avsnitt 9 Felsökning

I följande tabell visas vanliga felmeddelanden eller symptom, möjliga orsaker och korrigerande åtgärder.

Fel/varning	Beskrivning	Lösning
<b>Stäng locket och tryck på Mät.</b>	Locket är öppet eller lockavkänningen fungerade inte.	Se till att locket är stängt vid mätning och ommätning.
<b>Låg batterinivå!</b>	Batterinivån är låg.	<ul style="list-style-type: none"> <li>Sätt i nya batterier</li> <li>Anslut USB/strömodulen om laddningsbara batterier används.</li> </ul>

Fel/varning	Beskrivning	Lösning
<b>ADC-fel!</b>	Mätningen misslyckades på grund av fel på hårdvaran.	Gör om mätningen.
<b>Detektorsignalen för låg!</b>	Otillräckligt ljus på 180°-detektorn.	<ul style="list-style-type: none"> <li>Kontrollera så att det inte finns hinder i ljusbanan.</li> <li>Kontrollera lampan.</li> </ul>
<b>Överskriden gränsnivå!</b>	För hög grumlighet - troligtvis orsakad av kalibrering med endast RapidCal.	<ul style="list-style-type: none"> <li>Kalibrera det övre intervallet.</li> <li>Späd provet.</li> </ul>

Fel/varning	Beskrivning	Lösning
<b>Under gränsvärde!</b>	Den uppmätta absorbansen är under kalibreringsintervallet.	Gör om kalibreringen
<b>Kontrollera lampan!</b>	Signalerna på 90°- och 180°-detektorerna är för låga.	<b>2100Q:</b> Det är fel på lampan. Byt lampan (se <a href="#">Byt ut lampan</a> på sidan 175). <b>2100Qis:</b> Kontakta teknisk support.
<b>Temperaturen är för hög! Stäng av instrumentet.</b>	Temperaturen har överskridit mätarens gränsvärden (>60 °C eller >140 °F).	Stäng av mätaren och låt den svalna.
<b>RST: Medelvärde!</b>	Partiklarna sedimenterar för långsamt. Mätläget är inte lämpligt för detta prov.	Välj mätläge normalt eller signalmedelvärde.
<b>Konfidensnivån är &lt; 95 %</b>	Mätläget Rapidly Settling Turbidity nådde inte upp till ≥ 95% konfidensintervall.	<ul style="list-style-type: none"> <li>Vänd provet flera gånger så att partiklarna fördelas. Gör om mätningen.</li> <li>Ändra till normalt mätläge om provet är stabilt och inte har sedimenterande partiklar.</li> </ul>
<b>Standardvärdet är utanför intervallet. Tillsätt standard och tryck på Mät.</b>	Fel standardvärde användes vid mätningen.	Tillsätt rätt standard och mät igen.

Fel/varning	Beskrivning	Lösning
<b>ID:t används redan. Ange ett nytt ID</b>	Operatörens prov-ID är inte tillgängligt eftersom det redan tilldelats.	Skapa nytt prov-ID.
<b>Fel - säkerhet. Ange ett lösenord innan säkerhet aktiveras</b>	Inget lösenord har skapats.	Skapa ett nytt lösenord.
<b>Ange minst ett tecken.</b>	Lösenordet måste bestå av minst ett tecken.	Skapa ett lösenord som består av minst ett tecken.
<b>Fel lösenord. Försök igen.</b>	Fel lösenord angavs.	Ange rätt lösenord.
<b>Koppla från USB-kabeln från datorn.</b>	Datalagringen kan inte svara när den är ansluten till mätaren och datorn.	Koppla från USB-kabeln från datorn och försök igen.
<b>USB-modulens minne är fullt. Radera data och försök igen.</b>	Lagringsutrymmet är fullt.	<ol style="list-style-type: none"> <li>Anslut USB/strömmodule till datorn</li> <li>Läs in sparad data till datorn.</li> <li>Ta bort dataloggen på modulen.</li> </ol>

Fel/varning	Beskrivning	Lösning
<b>Ta bort senaste mätning misslyckades!</b>	Fel i datalagringen.	Sätt på och stäng av mätaren. Om felmeddelandet kvarstår, kontakta teknisk support.
<b>Ta bort datalogg misslyckades!</b>		
<b>Kan inte läsa datauppsättningen!</b>		
<b>Kan inte spara data!</b>		
<b>Kan inte spara i mätloggen!</b>		
<b>Kan inte spara i loggen för bekräfta kalibrering!</b>		
<b>Fel vid lagring av data!</b>		
<b>Fel vid läsning av data!</b>		

## Sisällysluettelo

- 1 Tekniset tiedot sivulla 180  
2 Yleistietoa sivulla 181  
3 Asentaminen sivulla 184  
4 Käyttöliittymä ja selaaminen sivulla 185  
5 Käynnistys sivulla 186  
6 Peruskäyttö sivulla 187  
7 Edistynyt käyttö sivulla 187  
8 Huolto sivulla 189  
9 Vianmääritys sivulla 193

## Osa 1 Tekniset tiedot

Tekniset tiedot voivat muuttua ilman ennakoilmoitusta.

Ominaisuus	Tiedot
Mittausmenetelmä	Nefelometrinen suhdeseamittaus, joka mittaa näytteestä 90° sironnutta ja näytteen läpäissyttä valoa.
Vastaavuudet	<b>2100Q:</b> vastaa EPA-menetelmää 180.1
Valonlähde	<b>2100Q:</b> Volframilankalamppu <b>2100Qis:</b> led-lamppu
Mittausalue	0–1000 NTU (FNU)
Tarkkuus	±2% lukemasta plus hajavalo alueella 0–1000 NTU (FNU)
Toistettavuus	± 1 % lukemasta tai 0,01 NTU (FNU) sen mukaan, kumpi on suurempi
EROTTELUKY KY	0,01 NTU alimmalla alueella
Hajavalo	≤ 0,02 NTU (FNU)
Signaalin keskiarvo	Valittavissa päälle ja pois
Detektori	Silikoninen fotodiodi

Ominaisuus	Tiedot
Ylijänniteluokka	II
Korkeus	Enintään 2 000 m (6 562 ft)
Lukutilat	Normaali (Push to Read), signaalin keskiarvo tai Rapidly Settling Turbidity
Kalibroitinvaihto ehdot	Single step RapidCal alatason vastaavuuksien raportointiin alueella 0–40 NTU (FNU) Koko alueen kalibrointi 0–1000 NTU (FNU) Sameusarvojen kalibrointi
Kalibroititietoje n keruuyksikkö	Tallentaa 25 viimeisintä onnistunutta kalibrointia
Tarkastusten keruuyksikkö	Tallentaa 250 viimeisintä onnistunutta tarkastusta
Tiedonkeruuyksikkö	500 tallennusta
Sähköntarve	Paristokäyttöinen: enintään 6 VDC (4 NiMH 1,2 V AA -paristoa tai 4 1,5 V AA-alkaliparistoa) Ulkoinen virtalähde: 100–240 VAC ± 10%; lähtö 5 W (9 VDC, enintään 600 mA)
Käyttöolosuhteet	Lämpötila: 0–50 °C (32–122 °F) Suhteellinen kosteus: 0–90 %/30 °C, 0–80 %/40 °C, 0–70% /50 °C, ei-kondensoiva
Varastointiolosuhteet	–40 ...+ 60 °C (–40 ...+ 140 °F), vain mittari
Liitäntä	USB lisävarusteena
Tarvittava näyte	15 ml (0,5 unssia)
Näytekyvetit	Pyöreät kyvetit, 60 x 25 mm (2.36 x 1 tuumaa) barosiliikaattilasilla ja ruuvattavilla korkeilla

Ominaisuus	Tiedot
Mitat	22.9 x 10.7 x 7.7 cm (9.0 x 4.2 x 3.0 tuumaa)
Paino	530 g (1.17 lb) ilman paristoja 620 g (1.37 lb), sis. neljä AA-paristoa
Mittarikelon suojausluokka	IP67 (kansi suljettuna, ei koske paristo- ja moduulipesää)
Suojausluokka	2100Q/is: Luokka III Virtalähde: luokka II
Ympäristöhaitta luokka	2
Ympäristöolosuhteet	Sisä- ja ulkokäyttöön
Sertifiointi	CE-merkintä
Takuu	1 vuosi (EU: 2 vuotta)

## Osa 2 Yleistietoa

Valmistaja ei ole missään tapauksessa vastuussa suorista, epäsuorista, erityisistä, tuottamuksellisista tai välillisistä vahingoista, jotka johtuvat mistään tämän käyttöohjeen virheestä tai puutteesta. Valmistaja varaa oikeuden tehdä tähän käyttöohjeeseen ja kuvaamaan tuotteeseen muutoksia koska tahansa ilman eri ilmoitusta tai velvoitteita. Päivitetyt käyttöohjeet ovat saatavilla valmistajan verkkosivuilta.

### 2.1 Turvallisuustiedot

Valmistaja ei ole vastuussa mistään virheellisestä käytöstä aiheuvista vahingoista mukaan lukien rajoituksetta suorista, satunnaisista ja välillisistä vahingoista. Valmistaja sanoutuu irti tällaisista vahingoista soveltuvien lakien sallimissa rajoissa. Käyttäjä on yksin vastuussa sovellukseen liittyvien kriittisten riskien arvioinnista ja sellaisten asianmukaisten mekanismien asentamisesta, jotka suojaavat prosesseja laitteen toimintahäiriön aikana.

Lue nämä käyttöohjeet kokonaan ennen tämän laitteen pakkauksesta purkamista, asennusta tai käyttöä. Kiinnitä huomiota kaikkiin vaara- ja varoitusilausekkeisiin. Niiden laiminlyönti voi johtaa käyttäjän vakavaan vammaan tai laitteistovaurioon.

Jotta laitteen suojaus ei heikentyisi, sitä ei saa käyttää tai asentaa muuten kuin näissä ohjeissa kuvatulla tavalla.

### 2.2 Vaaratilanteiden merkintä

**▲ VAARA**  
Ilmoittaa mahdollisesti vaarallisesta tai välittömän vaaran aiheuttavasta tilanteesta, joka aiheuttaa kuoleman tai vakavan vamman.




**▲ VAROITUS**  
Ilmoittaa potentiaalisesti tai uhkaavasti vaarallisen tilanteen, joka, jos sitä ei vältetä, voi johtaa kuolemaan tai vakavaan vammaan.

**▲ VAROTOIMI**  
Ilmoittaa mahdollisesti vaarallisesta tilanteesta, joka voi aiheuttaa lievän tai kohtalaisen vamman.

**HUOMAUTUS**  
Ilmoittaa tilanteesta, joka saattaa aiheuttaa vahinkoa laitteelle. Nämä tiedot edellyttävät erityistä huomiota.

### 2.3 Varoitustarrat

Lue kaikki laitteen tarrat ja merkinnät. Ohjeiden laiminlyönnistä voi seurata henkilövamma tai laitevaurio. Laitteen symboliin viitataan käyttöohjeessa, ja siihen on liitetty varoitus.

	Tämä on turvahälytysymboli. Noudata symbolin jälkeen annettuja turvavaroituksia, jotta vältyt mahdollisilta vammoilta. Jos tarra on laitteessa, laitteen käyttö- tai turvallisuustiedot on annettu laitteen käyttöohjeessa.
	Tämä symboli ilmoittaa sähköiskun ja/tai hengenvaarallisen sähköiskun vaarasta.
	Sähkölaitteita, joissa on tämä symboli, ei saa hävittää yleisille tai kotitalousjätteille tarkoitetuissa eurooppalaisissa jätteiden hävitysjärjestelmissä. Vanhat tai käytöstä poistetut laitteet voi palauttaa maksutta valmistajalle hävittämistä varten.

## 2.4 Vaatimustenmukaisuus ja sertifiointi

<b>▲ VAROTOIMI</b>	
Tätä laitetta ei ole tarkoitettu käytettäväksi asuinympäristöissä eikä se välttämättä tarjoa riittävää suojaa radiovastaanottimelle tällaisissa ympäristöissä.	

### Canadian Radio Interference-Causing Equipment Regulation, ICES-003, luokka A:

Tarkemmat testitulokset ovat valmistajalla.

Tämä luokan A digitaalinen laite vastaa kaikkia Kanadan häiriötä tuottavista laitteista annettujen säädösten vaatimuksia.

Cet appareil numérique de classe A répond à toutes les exigences de la réglementation canadienne sur les équipements provoquant des interférences.

### FCC Osa 15, luokan "A" rajoitukset

Tarkemmat testitulokset ovat valmistajalla. Laite vastaa FCC-säädösten osaa 15. Laitteen toimintaa koskevat seuraavat ehdot:

1. Laite ei saa aiheuttaa haitallisia häiriöitä.
2. Laitteen on voitava vastaanottaa häiriötä, mukaan lukien häiriöt, jotka voivat olla syynä epätoivottuun toimintaan.

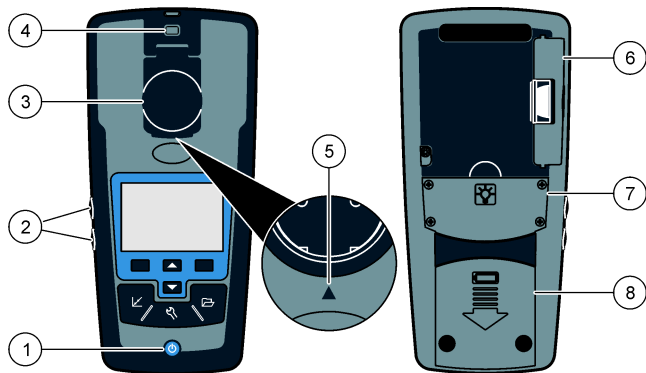
Tähän laitteeseen tehdyt, muut kuin yhteensopivuudesta vastaavan osapuolen hyväksymät muutokset tai muokkaukset saattavat johtaa käyttäjän menettämään oikeutensa käyttää tätä laitetta. Tämä laite on testattu ja sen on todettu olevan luokan A digitaalinen laite, joka vastaa FCC-säädösten osaa 15. Nämä rajoitukset on laadittu antamaan kohtuullinen suoja haitallisilta häiriöiltä, kun laitetta käytetään kaupallisessa ympäristössä. Tämä laite kehittää, käyttää ja saattaa säteillä radiotaajuusenergiaa, ja näiden ohjeiden vastaisesti asennettuna tai käytettynä se saattaa aiheuttaa haitallisia häiriöitä radioliikenteeseen. Tämän laitteen käyttö asuinalueella aiheuttaa todennäköisesti haitallisia häiriöitä, missä tapauksessa käyttäjän on korjattava tilanne omalla kustannuksellaan. Häiriötä voidaan vähentää seuraavilla tavoilla:

1. Irrota laite sähköverkosta varmistaaksesi, onko laite häiriöiden syy.
2. Jos laite on kytketty samaan pistorasiaan kuin häiriötä vastaanottava laite, kytke tämä laite toiseen pistorasiaan.
3. Siirrä laite kauemmas häiriötä vastaanottavasta laitteesta.
4. Sijoita häiriötä vastaanottavan laitteen antenni toiseen paikkaan.
5. Kokeile edellä annettujen ohjeiden yhdistelmiä.

## 2.5 Tuotteen yleiskuvauus

Kannettavat 2100Q- ja 2100Q/s -samesuomittarit sameuden mittaamiseen alueella 0 - 1000 NTU (FNU). Ensisijaisesti kenttäkäyttöön suunniteltu kannettava mittari toimii neljällä AA-paristolla. Tiedot voidaan tallentaa ja tulostaa kirjoittimelle, tietokoneelle tai USB-tallennuslaitteelle.

**Kuva 1 Tuotteen yleiskuvaus**

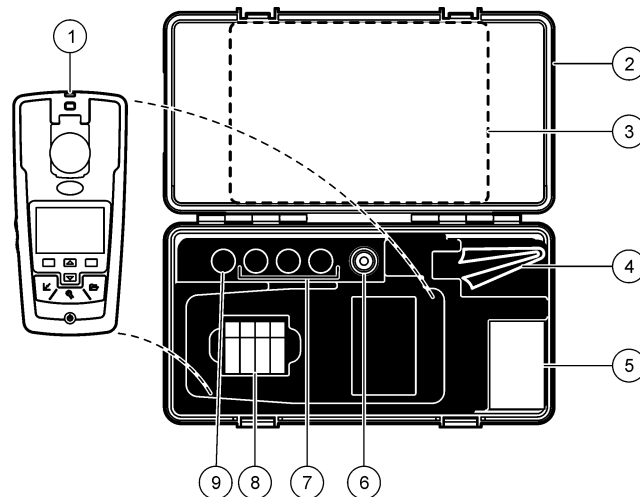


1 Virta päälle ja pois	5 Kohdistusnuoli
2 Taustavalopainikkeet (+ ja -)	6 Moduuli
3 Näyteastian pidin ja kansi	7 Lampun kotelo
4 Hihnan kiinnike	8 Paristopesä

## 2.6 Tuotteen osat

Varmista kohdasta [Kuva 2](#), että kaikki osat ovat mukana pakkauksessa. Jos jokin tarvikkeista puuttuu tai on viallinen, ota välittömästi yhteys valmistajaan tai myyjään.

**Kuva 2 2100Q- ja 2100Q/s -mallien osat**



1 2100Q- tai 2100Q/s - sameusmittari	6 Siilikoniöljy
2 Kuljetuslaukku	7 20, 100 ja 800 NTU StabiCal - kalibroitistandardit
3 Käyttöohje ja pikaohje	8 AA-alkaliparistot (4 kpl)
4 Voiteluliina	9 StabiCal 10 NTU - tarkastusstandardi
5 1" näyteastia (10 ml) ja korkit (6 kpl)	

## Osa 3 Asentaminen

### ⚠ VAROTOIMI



Useita vaaroja. Vain ammattitaitoinen henkilö saa suorittaa käyttöohjeen tässä osassa kuvatut tehtävät.

### 3.1 Paristojen asentaminen

#### ⚠ VAROITUS



Räjähdysvaara. Vanhentunut akku voi aiheuttaa vetykaasun kerääntymisen laitteen sisään. Vaihda akku ennen sen vanhentumista. Älä säilytä laitetta pitkiä aikoja akun ollessa paikoillaan.

#### ⚠ VAROITUS

Tulipalon vaara. Käytä mittarissa vain alkaliparistoja tai ladattavia NiMH-akkuja. Väärän tyyppiset paristot tai virheellinen asennus voivat aiheuttaa tulipalon. Älä sekoita eri tyyppisiä paristoja keskenään.

#### HUOMAUTUS

Paristopesä ei ole vesitiivis. Jos paristolokero pääsee kastumaan, poista paristot ja kuivaa lokeron sisäosat huolellisesti. Tarkista, etteivät paristoliittimet ole ruosteessa ja puhdista ne tarvittaessa.

#### HUOMAUTUS

Käytettäessä metallihybridiparistoja (NiMH) akkukuvake ei osoita täyttä latausta, vaikka paristot olisi juuri ladattu. Syynä on NiMH-paristojen 1,2 voltin jännite, kun se alkaliparistossa on 1,5 V. Vaikka kuvake ei osoitakaan täyttä latausta, 2300 milliampeeritunnin NiMH -paristot kestävät 90 % alkaliparistojen kestoista ennen uutta latausta.

#### HUOMAUTUS

Jotta vuotavat paristot eivät rikkoisi mittaria, poista ne ennen pidempää varastointiaikaa.

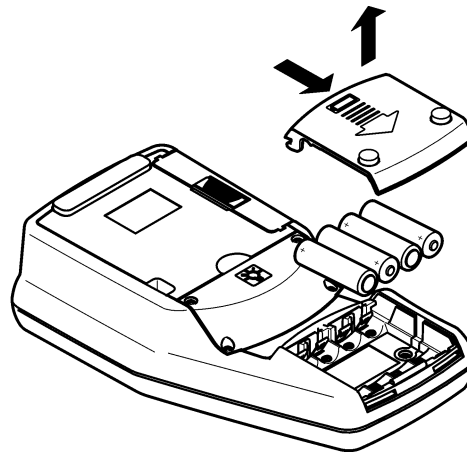
Mittarissa voi käyttää AA-kokoisia alkaliparistoja tai ladattavia NiMH-paristoja. Mittasi sammuu paristojen säästämiseksi aina, kun sitä ei ole käytetty 10 minuuttiin. Taustavalo sammuu 30 sekunnin kuluttua. Aikaa voi muuttaa Virranhallinta-valikosta.

**Huomautus:** Ladattavat paristot voi ladata vain USB-virtamoduulilla. Lue lisää moduulin käyttöohjeista.

Paristojen asennuksesta saa lisätietoa kohdasta [Kuva 3](#).

1. Irrota paristopesän kansi.
2. Aseta pesään 4 AA-alkaliparistoa tai 4 AA-kokoista NiMH-paristoa. Varmista, että paristot tulevat oikein päin.
3. Sulje paristopesän kansi.

**Kuva 3 Paristojen asennus**

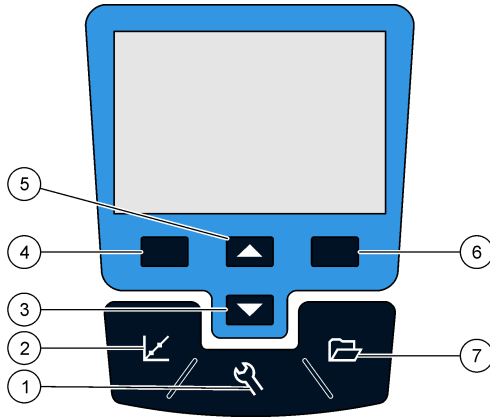




## Osa 4 Käyttöliittymä ja selaaminen

### 4.1 Käyttöliittymä

Kuva 4 Näppäimistön kuvaus

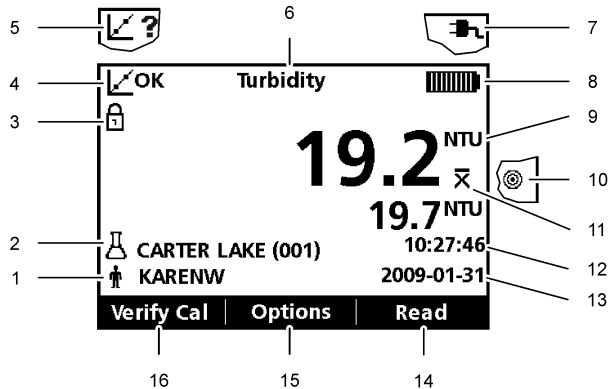


<b>1 ASETUKSET</b> -painikkeella valitaan mittarin asetuksessa käytettävät valikkoasetukset	<b>5 NUOLI YLÖS:</b> valikoiden vieritys, numeroiden ja kirjainten syöttö
<b>2 KALIBROINTI</b> -painikkeella tuodaan kalibrointiruutu näytölle. aloitetaan kalibrointi ja valitaan kalibrointiasetukset	<b>6 OIKEA</b> painike joko lukee sameusnäytteen, valitsee tai vahvistaa asetuksen tai avaa/siirtyy alivalikkoihin
<b>3 NUOLI ALAS:</b> valikoiden vieritys, numeroiden ja kirjainten syöttö	<b>7 TIETOJEN HALLINTA</b> -painikkeella katsellaan, poistetaan tai siirretään tallennettuja tietoja
<b>4 VASEN</b> painike vie joko kalibroinnin tarkastukseen, peruuttaa tai siirtää käyttäjän pois valikkoruudulta edelliseen valikkoruutuun	

### 4.2 Näytön kuvaus

Näytöllä näkyvät sameus, yksikkö, kalibroinnin tila, päiväys ja aika, käyttäjätunnus (jos luotu) sekä näytteen tunnus (jos luotu). Katso kohta [Kuva 5](#).

Kuva 5 Yhden ruudun näyttö



1 Käyttäjän määrittely	9 NTU (sameuden nefelometrinen yksikkö) tai FNU (sameuden formatsiiniyksikkö)
2 Näytteen määrittely	10 Lukutila: Rapidly Settling Turbidity (kohteen kuvake)
3 Stabiiliteetin tai näytön lukituksen kuvake	11 Lukutila: signaalin keskiarvo (X-palkin kuvake)
4 Kalibroinnin tilaa osoittava kuvake (kalibrointi OK = hyväksytty)	12 Time (Aika)
5 Kalibroinnin tilaa osoittava kuvake (kalibrointi ? = hylätty)	13 Päivämäärä
6 Parametrin nimi	14 Lue (tilanteen mukaan OK tai Valitse)
7 Virransaannin kuvake	15 Asetukset (tilanteen mukaan)
8 Akkukuvake	16 Kalibroinnin tarkastus


### 4.3 Navigointi

Mittarissa on seuraavat valikot eri asetusten muuttamiseen: asetukset, asetusten luku, kalibrointiasetukset ja kalibroinnin tarkastus. Eri vaihtoehdot korostetaan nuoliilla **YLÖS** ja **ALAS**. Vaihtoehto valitaan **OIKEALLA** painikkeella. Asetuksia voi muuttaa kahdella tavalla:

1. Valitse asetukset luettelosta ja vahvista valinta nuoliilla **YLÖS** tai **ALAS**. Jos näytölle tulee valintaruutuja, valittavissa on useampi kuin yksi vaihtoehto. Valitse **VASEN** painike Valitse-valikosta.  
*Huomautus:* Voit poistaa valinnat painamalla **VASEN** painiketta Poista valinta-valikosta.
2. Syötä arvo nuolipainikkeiden avulla: **YLÖS** ja **ALAS** -nuoliilla voi syöttää tai muuttaa arvoa.
3. **OIKEALLA** painikkeella siirrytään seuraavaan kohtaan.
4. Hyväksy arvo **OIKEALLA** painikkeella **OK** -valikon alla.

## Osa 5 Käynnistys

### 5.1 Mittarin käynnistäminen ja sammuttaminen

 Mittari sammutetaan ja käynnistetään **ON/OFF** -painikkeesta. Jos mittari ei käynnisty, varmista että paristot tai akkumoduuli on oikein asennettu tai että vaihtovirtamuuntaja on kunnolla kiinni mittarin liittimessä.

*Huomautus:* Mittarin sammuttamiseen voidaan käyttää myös automaattista sammutustoimintoa. Lisätietoja on valmistajan verkkosivuilla.

### 5.2 Kielen vaihtaminen

Kielen voi vaihtaa kolmella eri tavalla:

- Näytön kieli valitaan, kun mittari käynnistetään ensimmäistä kertaa.
- Näytön kieli valitaan, kun virtapainiketta painetaan ja pidetään painettuna.
- Kielen voi valita asetusvalikosta.

1. Valitse luettelosta haluamasi kieli. Vahvista valinta painamalla **OK**.
2. Valitse **Valmis**, kun muutos on tehty.

### 5.3 Päiväyksen ja ajan muuttaminen

Päiväystä ja aikaa voidaan muuttaa Aika & Päiväys-valikosta.

1. Valitse **ASETUKSET** ja kohta Aika & Päiväys.
2. Päivitä aika ja päiväys:

Vaihtoehto	Kuvaus
<b>Muoto</b>	Valitse joku seuraavista ajan ja päiväyksen muodoista: vvvv-kk-pp 24 h vvvv-kk-pp 12 h pp-kk-vvvv 24 h pp-kk-vvvv 12 h kk/pp/vvvv 24 h kk/pp/vvvv 12 h
<b>Päivämäärä</b>	Syötä oikea päiväys
<b>Kellonaika</b>	Syötä oikea aika

Oikea aika ja päiväys näkyvät näytöllä.

Kun aika ja päiväys on asetettu, mittari on valmis vastaanottamaan lukeman.

## Osa 6 Peruskäyttö

### 6.1 Näytetunnuksen käyttö

Näytetunnus -toimintoa käytetään kohdistamaan lukemat tiettyyn näytteen sijaintiin. Jos toiminto on käytössä, tallennettu mittaustieto sisältää kyseisen tunnuksen.

1. Valitse **Näytetunnus** Asetukset-valikosta.
2. Näytetunnuksen valitseminen, luominen tai poistaminen:

Vaihtoehto	Kuvaus
<b>Nykyinen tunnus</b>	Valitse tunnus luettelosta. Nykyinen tunnus liitetään näytetietoihin, kunnes valitaan toinen tunnus.
<b>Uuden näytetunnuksen luominen</b>	Syötä uuden näytetunnuksen nimi.
<b>Näytetunnuksen poistaminen</b>	Poista nykyinen näytetunnus.

### 6.2 Käyttäjätunnuksen käyttö

Käyttäjätunnus liitetään yksittäisen käyttäjän tekemiin mittauksiin. Kaikissa tallennetuissa mittaustiedoissa on tämä tunnus.

1. Valitse **Käyttäjätunnus** Asetukset-valikosta.
2. Käyttäjätunnuksen valitseminen, luominen ja poistaminen:

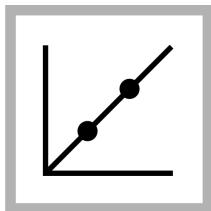
Vaihtoehto	Kuvaus
<b>Nykyinen tunnus</b>	Valitse tunnus luettelosta. Nykyinen tunnus liitetään näytetietoihin, kunnes valitaan toinen tunnus.
<b>Uuden käyttäjätunnuksen luominen</b>	Syötä uusi käyttäjätunnus (mittariin sopii enintään 10 nimeä).
<b>Käyttäjätunnuksen poistaminen</b>	Poista nykyinen käyttäjätunnus.

## Osa 7 Edistynyt käyttö

### 7.1 Sameusmittarin kalibrointi StabCal-standardeilla

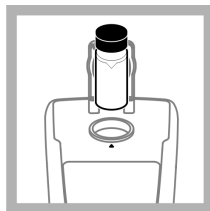
*Huomautus: Jotta tulokset olisivat mahdollisimman tarkkoja, suosittelemme käyttämään samaa näyteastiaa tai neljää samanlaista astiaa kaikille lukemille*

kalibroinnin aikana. Aseta näyteastia instrumenttilokeroon niin, että vinoneliö tai suuntanuoli on astian lokeron edellä olevan suuntanuolen kohdalla.



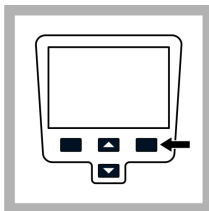
1. Valitsemalla **KALIBROINTI** siirrytään kalibrointitilaan. Seuraa näytön ohjeita.

**Huomautus:** Käännä jokainen standardi varovasti toisin päin ennen kuin laitat sen astiaan.

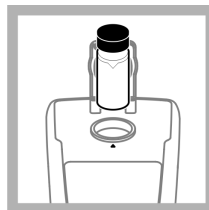


2. Laita 20 NTU StablCal-standardi astiaan ja sulje kansi.

**Huomautus:** Käytettävässä standardissa on reunaviiva.

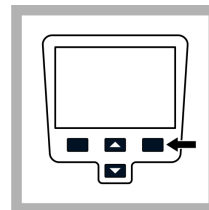


3. Valitse **Mittaa**. Näytölle tulee teksti "Stabilisoidaan" ja sen jälkeen tulos.

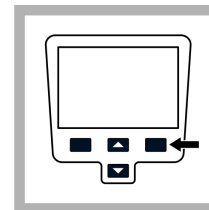


4. Toista vaiheet 2 ja 3 käyttäen 100 NTU ja 800 NTU StablCal-standardeja.

**Huomautus:** Valitsemalla **Valmis** päätetään 2-vaiheinen kalibrointi.



5. Valitsemalla **Valmis** näet kalibrointitiedot.





6. Valitsemalla **Tallenna** tallennetaan tulokset. Kun kalibrointi on suoritettu, mittari siirtyy automaattisesti kalibroinnin varmistustilaan. Lisätietoja on valmistajan verkkosivuilla.

## 7.2 Lukutilat

1. Valitsemalla nuoli **YLÖS** tai **ALAS** siirrytään Lue asetukset-valikkoon.
2. Valitse kohdasta Lukutila joku seuraavista vaihtoehdoista:

Vaihtoehto	Kuvaus
<b>Normaali (oletusasetus)</b>	Normaalitilassa mittari lukee ja antaa keskiarvon kolmesta lukemasta. Tulos tulee näytölle mittauksen jälkeen.

Vaihtoehto	Kuvaus
<b>Signaalin keskiarvo</b> 	<p>Signaalin keskiarvotila kompensoi mittausvaihteluita, jotka aiheutuvat mitattavien partikkeleiden siirtymisestä valotietä pitkin. X-palkin kuvake tulee näytölle, kun signaalin keskiarvotila on päällä.</p> <p>Signaalin keskiarvotila suorittaa mittauksen 12 kertaa ja näyttää keskiarvon kolmen mittauksen jälkeen. Lopullinen tulos on keskiarvo 12 mittauksesta.</p>
<b>Rapidly Settling Turbidity (RST)</b> 	<p>The Rapidly Settling Turbidity (RST) -tila laskee ja päivittää jatkuvasti näytteen sameusmittauksen lukemaa 95 %:n luotettavuudella reaaliaikaisten mittausarvojen kumulatiiviseen trendiin perustuen.</p> <p>RST-tila sopii parhaiten käytettäväksi näytteissä, jotka asettuvat nopeasti ja joiden arvo muuttuu jatkuvasti. Lukeman perustana on oikein otettu näyte, joka on homogeeninen mittauksen alussa. Se sopii parhaiten näytteisiin, joiden NTU-arvo on yli 20. Näyte on sekoitettava huolellisesti kääntämällä se nurinpäin välittömästi sen jälkeen, kun näyte on tuotu mittariin.</p> <p>Näytölle tuleva kuvake osoittaa Rapidly Settling Turbidity -tilan olevan päällä.</p> <p>Rapidly Settling Turbidity -tila mittaa ja laskee viisi lukemaa ja näyttää niiden välitulokset.</p>

## 8.1 Mittarin puhdistaminen

Mittari on huoltovapaa, eikä se edellytä puhdistamista normaalikäytössä. Mittarin ulkopinnan voi puhdistaa tarvittaessa.

**Huomautus:** Älä puhdistä mittaria liuottimilla, ettei sen pinta vahingoitu.

1. Puhdista mittari kuivalla tai hieman kostealla, pölyämättömällä ja nukkaamattomalla liinalla. Jos lika on rasvaliukoista, myös mietoa saippualiuosta voi käyttää.

## 8.2 Voitele näyteastia silikoniöljyllä

Näyteastioiden ja korkkien on oltava äärimmäisen puhtaita ja mahdollisimman naarmuttomia. Voitele näyteastiat ohuelti silikoniöljyllä lievää haihtumista aiheuttavien pienten naarmujen ja epätasaisuuksien peittämiseksi.

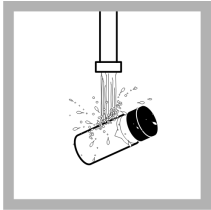
**Huomautus:** Käytä vain mukana toimitettua silikoniöljyä. Sen taitekerroin on sama kuin näyteastian lasilla.

## Osa 8 Huolto

### ▲ VAROTOIMI



Useita vaaroja. Vain ammattitaitoinen henkilö saa suorittaa käyttöohjeen tässä osassa kuvatut tehtävät.



1. Puhdista näyteastiat ja korkit sisä- ja ulkopuolelta pesemällä ne laboratoriolasille tarkoitettua puhdistusaineella. Huuhtelee useampaan kertaan tislattulla tai kivennäissuoloja sisältämättömällä vedellä.



2. Voitele näyteastia ohuelti silikoniöljyllä yläreunasta pohjaan asti.



3. Käytä mukana toimitettua liinaa, jotta öljy leviää tasaisesti. Pyyhi ylimääräinen öljy pois niin, että astian pinnalle jää vain ohut kerros. Varmista, että näyteastia on lähes kuiva, ja näkyvää öljyä on mahdollisimman vähän.  
**Huomautus:** Säilytä öljylle tarkoitettua liinaa muovisessa säilytyspussissa, jotta liina ei likaannu.

### 8.3 Näyteastioiden varastointi

#### HUOMAUTUS

Älä kuivaa näytekyvettä ilmalla.

**Huomautus:** Säilytä näytekyvetit korkki kiinni, jotta ne eivät pääse kuivumaan.

1. Täytä näyteastiat tislattulla tai demineralisoidulla vedellä.
2. Ruuvaa korkki kiinni ja vie näyteastiat varastoon.
3. Pyyhi näyteastian ulkopinta kuivaksi pehmeällä liinalla.

### 8.4 Akun vaihtaminen

#### ⚠ VAROITUS



Räjähdysvaara. Vanhentunut akku voi aiheuttaa vetykaasun kerääntymisen laitteen sisään. Vaihda akku ennen sen vanhentumista. Älä säilytä laitetta pitkiä aikoja akun ollessa paikoillaan.

#### ⚠ VAROITUS

Tulipalon vaara. Käytä mittarissa vain alkaliparistoja tai ladattavia NiMH-akkuja. Väärin tyypiset paristot tai virheellinen asennus voivat aiheuttaa tulipalon. Älä sekoita eri tyyppisiä paristoja keskenään.

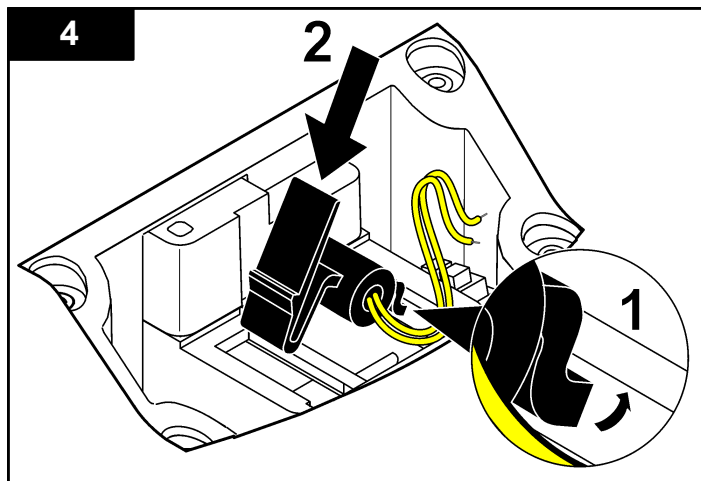
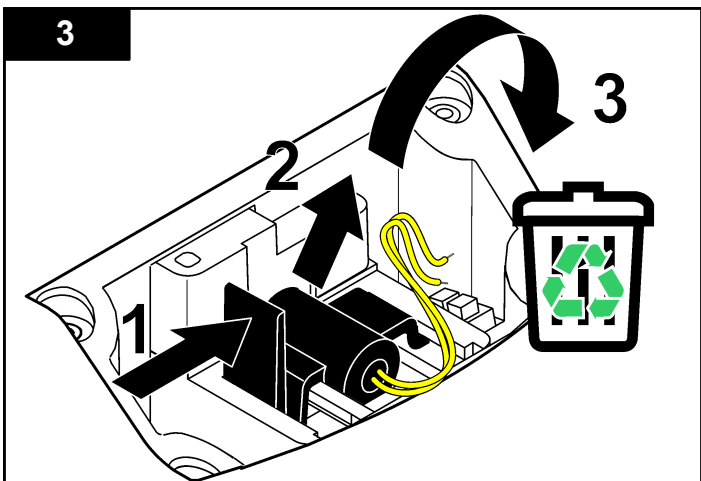
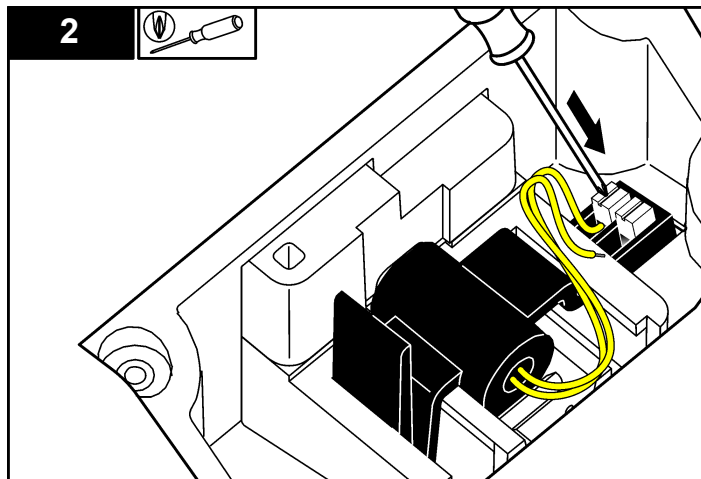
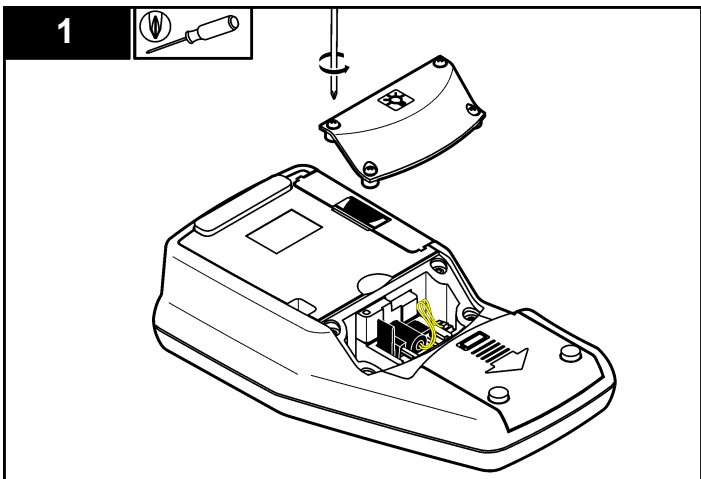
Paristojen vaihtamisesta saa lisätietoa kohdasta [Paristojen asentaminen](#) sivulla 184.

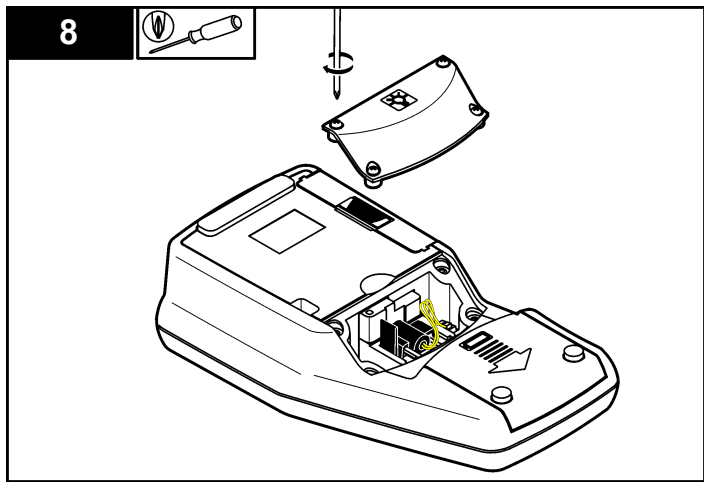
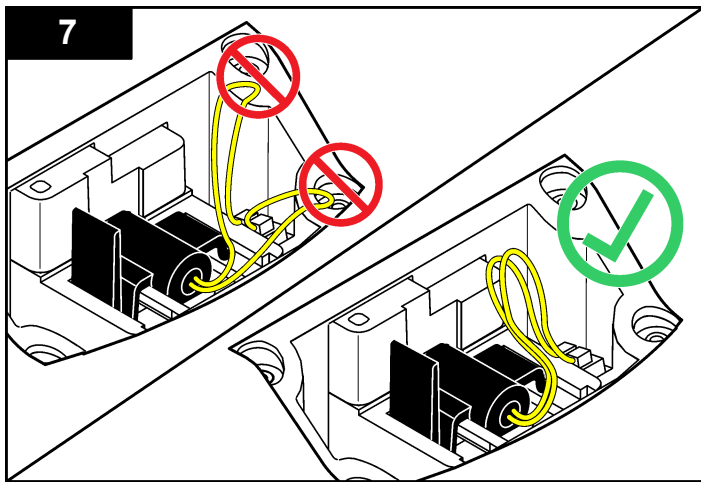
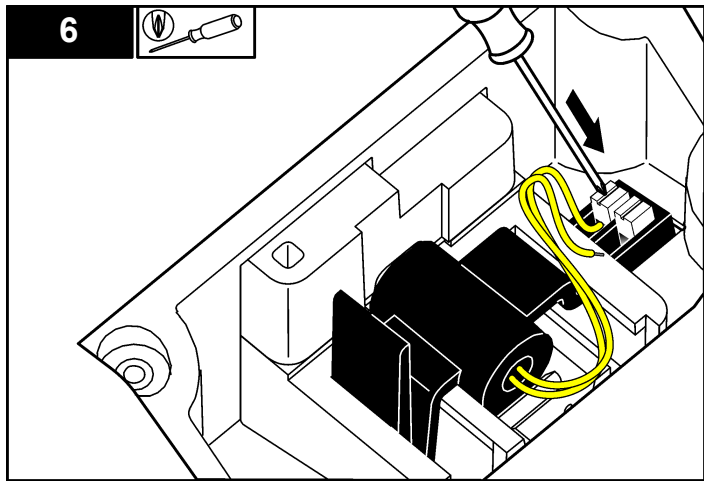
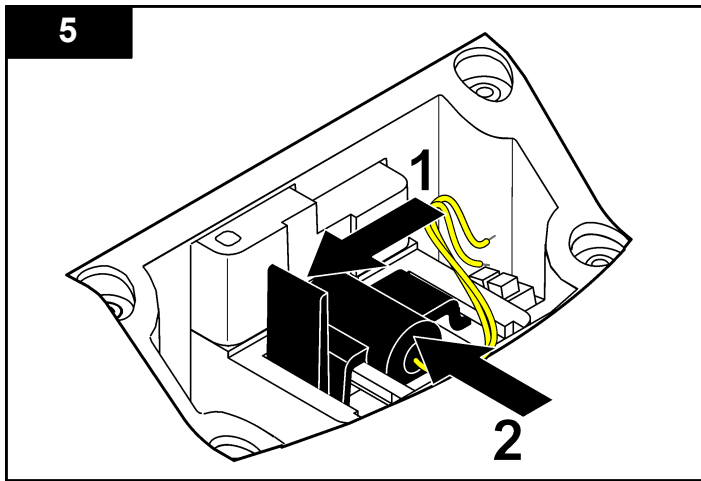
1. Irrota paristopesän kansi.
2. Poista vanhat paristot.
3. Aseta pesään 4 AA-alkaliparistoa tai 4 AA-kokoista NiMH-paristoa. Varmista, että paristot tulevat oikein päin.
4. Sulje paristopesän kansi.

### 8.5 Lampun vaihto

#### ⚠ VAROTOIMI

Palovammojen vaara. Odota, että lamppu jäähtyy. Kuuma lamppu voi aiheuttaa palovammoja.







## Osa 9 Vianmääritys

Seuraavassa taulukossa on esitetty yleisimmät ongelmat oireineen, mahdollisine syineen ja ratkaisuineen.

Virheilmoitus/varoit us	Kuvaus	Ratkaisu
<b>Sulje kansi ja valitse "Lue".</b>	Kansi on auki tai kannen tunnustus on epäonnistunut.	Varmista, että kansi on kiinni mittauksen aikana ja suorita mittaus uudelleen.
<b>Lataus vähissä!</b>	Paristojen lataus on loppumassa.	<ul style="list-style-type: none"> <li>Vaihda paristot.</li> <li>Kytke USB/virtamoduuli, jos käytät ladattavia paristoja.</li> </ul>
<b>ADC-virhe!</b>	Laitteistovirhe aiheuttaa mittauksen epäonnistumisen.	Toista mittaus.
<b>Detektorin signaali liian alhainen!</b>	Riittämätön valaistus 180° detektorissa.	<ul style="list-style-type: none"> <li>Poista esteet valopolun tieltä.</li> <li>Tarkista lamppu.</li> </ul>
<b>Mittausalueen ylitys!</b>	Sameus on liian korkea, mikä luultavasti johtuu vain RapidCal:lla tehdystä kalibroinnista.	<ul style="list-style-type: none"> <li>Kalibroi yläalue.</li> <li>Laimenna näytettä.</li> </ul>
<b>Mittausalueen alitus!</b>	Mitattu imeytyminen on kalibrointialueen alapuolella.	Toista kalibrointi.

Virheilmoitus/varoit us	Kuvaus	Ratkaisu
<b>Tarkista lamppu!</b>	Signaalit ovat liian matalia 90° ja 180° detektoreille.	<p><b>2100Q:</b> Lamppu on rikki. Vaihda lamppu (lue kohta <a href="#">Lampun vaihto</a> sivulla 190).</p> <p><b>2100Qis:</b> Ota yhteys tekniseen tukeen.</p>
<b>Lämpötila liian korkea! Sammuta mittari.</b>	Mittarin lämpötila on toiminta-alueen ulkopuolella (> 60 °C tai >140 °F).	Sammuta mittari ja anna sen jäähtyä.
<b>RST: keskiarvo!</b>	Kiintoaineet asettuvat liian hitaasti. Lukutila ei sovi tälle näytteelle.	Valitse normaali tai signaalin keskiarvotila.
<b>Luotettavuustaso on &lt;95 %</b>	Rapidly Settling Turbidity -lukutila ei vastaa ≥ 95 % luotettavuustasoa.	<ul style="list-style-type: none"> <li>Kääntelet näytettä useampaan kertaan niin, että kiintoaineet sekoittuvat. Toista mittaus.</li> <li>Siirry normaaliin lukutilaan, jos näyte on vakaa eikä siinä ole laskeutuvia kiintoaineita.</li> </ul>
<b>Vakioarvo on alueen ulkopuolella. Lisää standardi ja valitse "Lue"</b>	Väärää standardin arvoa on käytetty mittauksessa.	Lisää oikea standardi ja mittaa uudelleen.
<b>Tunnus on jo käytössä. Anna uusi tunnus</b>	Käyttäjän tai näytteen tunnus on jo käytössä.	Luo uusi tunnus.

Virheilmoitus/varoit us	Kuvaus	Ratkaisu
<b>Virhe - tietoturva</b> <b>Aseta salasana</b> <b>ennen tietoturvan</b> <b>aktivointia</b>	Salasanaa ei ole luotu.	Luo uusi salasana.
<b>Syötä vähintään yksi</b> <b>merkki.</b>	Salasanassa on oltava vähintään yksi merkki.	Luo salasana, jossa on vähintään yksi merkki.
<b>Salasana on väärä.</b> <b>Yritä uudelleen.</b>	Syötetty salasana on väärä.	Syötä oikea salasana.
<b>Irrota USB-kaapeli</b> <b>tietokoneesta.</b>	Muisti ei vastaa, vaikka mittari on kytketty tietokoneeseen.	Irrota USB-kaapeli tietokoneesta ja yritä tietojen lähettämistä uudelleen.
<b>USB-moduulin</b> <b>muisti täynnä.</b> <b>Poista tietoja ja yritä</b> <b>uudelleen.</b>	Muisti on täynnä.	<b>1.</b> Kytke USB/virtamoduuli tietokoneeseen. <b>2.</b> Lataa tallennetut tiedot tietokoneelle. <b>3.</b> Poista tietoloki moduulista.

Virheilmoitus/varoit us	Kuvaus	Ratkaisu
<b>Poista viimeisin</b> <b>lukema-toiminto</b> <b>epäonnistui!</b>	Muistivirhe.	Sammuta mittari ja käynnistä se uudelleen. Jos ongelma ei ratkea, ota yhteys tekniseen tukeen.
<b>Poista tietoloki-</b> <b>toiminto</b> <b>epäonnistui!</b>		
<b>Tietosarjan</b> <b>lukeminen</b> <b>epäonnistui!</b>		
<b>Tietojen tallennus</b> <b>epäonnistui!</b>		
<b>Tallentaminen</b> <b>mittauslokiin</b> <b>epäonnistui!</b>		
<b>Ei voi tallentaa</b> <b>kalibroinnin</b> <b>tarkastuslokia!</b>		
<b>Virhe tietojen</b> <b>tallennuksessa!</b>		
<b>Virhe tietojen</b> <b>lukemisessa!</b>		

## Съдържание

- |  |   |
|--|---|
| 1 Спецификации на страница 195                         | 6 Стандартна операция на страница 203           |
| 2 Обща информация на страница 196                      | 7 Усъвършенствана операция на страница 204      |
| 3 Инсталиране на страница 199                          | 8 Поддръжка на страница 206                     |
| 4 Потребителски интерфейс и навигиране на страница 201 | 9 Отстраняване на неизправности на страница 210 |
| 5 Включване на страница 202                            |   |

## Раздел 1 Спецификации

Спецификациите подлежат на промяна без уведомяване.

Спецификация	Подробности
Метод на измерване	Турбидиметрично определяне на отношението на основния сигнал от разсейване на нефелометричната светлина(90°) към сигнала от предаденото разсейване на светлината.
Нормативни актове	<b>2100Q</b> : тговаря на изискванията на EPA метод 180.1
Лампа-източник	<b>2100Q</b> : лампа с волфрамова жичка <b>2100Qis</b> : светодиод(LED)
Обхват	0–1000 NTU (FNU)
Точност	±2% от отчетената стойност плюс разсеяната светлина от 0–1000 NTU (FNU)
Възпроизводи мост	±1% от отчетената стойност или 0,01 NTU (FNU), което от двете е по-голямо
Резолуция	0.01 NTU при най-ниския обхват

Спецификация	Подробности
Разсеяна светлина	≤ 0.02 NTU (FNU)
Усредняване на сигнала	Включване или изключване с възможност за избор
Детектор	Силициев фотодиод
Категория на свръхнапрежение	II
Надморска височина	Максимум 2000 m (6562 ft)
Режими на отчитане	Нормално (Натискане за отчитане), Усредняване на сигнала или Rapidly Settling Turbidity
Опции за калибриране	Single step RapidCal за нормативно отчитане на ниско ниво от 0–40 NTU (FNU) Калибриране в пълния обхват от 0–1000 NTU (FNU) Калибриране до степени на мътност
Запис на калибрирането	Записва последните 25 успешни калибровки
Запис на тестванията	Записва последните 250 успешни тествания
Регистратор на данни	500 записа
Изисквания към мощността	Захранване от батерията: максимум 6 VDC (4 NiMH 1,2 V AA батерии или 4 алкални 1,5 V AA батерии) Външно захранване: 100–240 VAC ± 10%; изходна мощност 5 W (9 VDC, 600 mA максимум)

Спецификация	Подробности
Условия за експлоатиране	Температура: от 0 до 50° C (от 32 до 122° F) Относителна влажност: 0–90% при 30 °C, 0–80% при 40 °C, 0–70% при 50 °C, без кондензация
Условия на съхранение	от –40 до 60° C (–40 до 140° F), само за инструмента
Интерфейс	USB като опция
Необходима е проба	15 mL (0,5 унции)
Кювети	Кръгли клетки 60 x 25 мм (2.36 x 1 инча) боросиликатно стъкло с винтови капачки
Размери	22.9 x 10.7 x 7.7 cm (9.0 x 4.2 x 3.0 инча)
Тегло	530 g (1.17 фунта) без батериите 620 g (1,37 фунта) с 4 алкални батерии AA
Номинални характеристики и на корпуса на уреда	IP67 (затворен капак, без отделението за батериите и за модула)
Клас на защита	2100Q/is: Клас III Захранване: клас II
Степен на замърсяване	2
Условия на околната среда	Използване на закрито и на открито
Сертифициран е	CE сертифициран
Гаранция	1 година (ЕС: 2 години)

## Раздел 2 Обща информация

При никакви обстоятелства производителят няма да носи отговорност за преки, непреки, специални, инцидентни или последващи щети, които са резултат от дефект или пропуск в това ръководство. Производителят си запазва правото да прави промени в това ръководство и в описаните в него продукти във всеки момент и без предупреждение или поемане на задължения. Коригираните издания можете да намерите на уебсайта на производителя.

### 2.1 Информация за безопасността

Производителят не носи отговорност за никакви повреди, възникнали в резултат на погрешно приложение или използване на този продукт, включително, без ограничения, преки, случайни или възникнали впоследствие щети, и се отхвърля всяка отговорност към такива щети в пълната позволена степен от действащото законодателство. Потребителят носи пълна отговорност за установяване на критични за приложението рискове и монтаж на подходящите механизми за подsigуряване на процесите по време на възможна неизправност на оборудването.

Моля, внимателно прочетете ръководството преди разопаковане, инсталиране и експлоатация на оборудването. Обръщайте внимание на всички твърдения за опасност и предпазливост. Пренебрегването им може да доведе до сериозни наранявания на оператора или повреда на оборудването.

(Уверете се, че защитата, осигурена от това оборудване, не е занижена. Не го използвайте и не го монтирайте по начин, различен от определения в това ръководство.

### 2.2 Използване на информация за опасностите

#### **▲ ОПАСНОСТ**

Указва наличие на потенциална или непосредствена опасна ситуация, която, ако не бъде избегната, ще предизвика смърт или сериозно нараняване.

### ▲ ПРЕДУПРЕЖДЕНИЕ

Указва потенциално или непосредствено опасна ситуация, която, ако не бъде избегната, може да доведе до смърт или сериозно нараняване.

### ▲ ВНИМАНИЕ




Указва наличие на потенциално опасна ситуация, която може да предизвика леко или средно нараняване.

### Забележка

Показва ситуация, която ако не бъде избегната, може да предизвика повреда на инструмента. Информация, която изисква специално изтъкване.

## 2.3 Предупредителни надписи

Прочетете всички надписи и етикети, поставени на инструмента. Неспазването им може да доведе до физическо нараняване или повреда на инструмента. Към символ върху инструмента е направена препратка в ръководството с предупредително известие.

	Това е символът за предупреждение за безопасност. Спазвайте всички съобщения за безопасност, които следват този символ, за да се избегне потенциално нараняване. Ако е върху инструмента, вижте ръководството за потребителя или информацията за безопасност.
	Този символ показва, че съществува риск от електрически удар и/или късо съединение.
	Електрическо оборудване, което е обозначено с този символ, не може да бъде изхвърляно в европейските частни или публични системи за изхвърляне на отпадъци. Оборудването, което е остаряло или е в края на жизнения си цикъл, трябва да се връща на производителя, без да се начисляват такси върху потребителя.

## 2.4 Съответствие и сертификация

### ▲ ВНИМАНИЕ

Това оборудване не е предназначено за използване в жилищни помещения и може да не осигурява адекватна защита на радиоприемането в такива среди.

#### Канадски регламент за оборудване, предизвикващо радиосмущения, ICES-003, клас А:

Поддържането на тестовите записи е задължение на производителя.

Тази цифрова апаратура от клас "А" съответства на всички изисквания на канадските разпоредби за съоръжения, предизвикващи смущения.

Cet appareil numérique de classe A répond à toutes les exigences de la réglementation canadienne sur les équipements provoquant des interférences.

#### ФКК (Федерална комисия по комуникациите) част 15, ограничения относно клас "А"

Поддържането на тестовите записи е задължение на производителя. Това устройство съответства на част 15 от наредбите на ФКК. Работата с него представлява предмет на следните условия:

1. Оборудването не може да причинява вредни смущения.
2. Оборудването трябва да приема всички получени смущения, включително такива, които могат да причинят нежелан начин на работа.

Промени или модификации на това оборудване, които не са изрично одобрени от страните, отговорни за неговата съвместимост, могат да доведат до анулиране на правото за експлоатация на оборудването. Оборудването е тествано, като е установена неговата съвместимост с ограниченията за цифрово устройство от клас "А", което е в съответствие с част 15 от наредбите на ФКК. Тези ограничения са предназначени да осигурят разумна защита срещу вредни смущения при работа на оборудването, когато това става в търговска среда. Оборудването генерира, използва и може да излъчва радиочестотна енергия, като

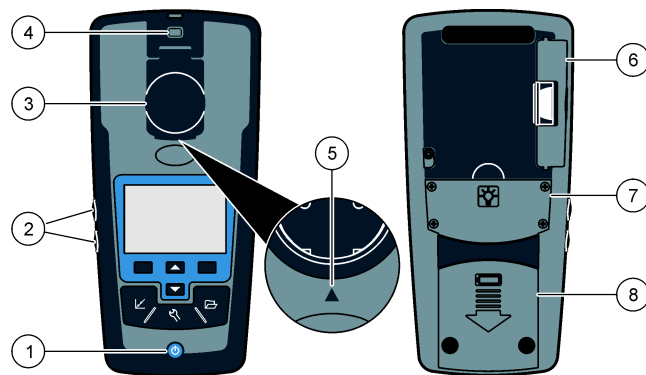
в случай че не бъде инсталирано и експлоатирано в съответствие с ръководството за употреба, може да предизвика вредни смущения на радио комуникациите. Възможно е работата на това оборудване в жилищни зони да доведе до вредни смущения, при който случай потребителят ще трябва да коригира смущенията за своя сметка. За намаляване на проблемите със смущенията могат да се използват следните техники:

1. Изключете оборудването от захранването, за да проверите дали то причинява смущенията.
2. Ако оборудването е свързано към един и същ контакт с устройството, при което се проявяват смущенията, свържете оборудването към друг контакт.
3. Отдалечете оборудването от устройството, което приема смущенията.
4. Променете положението на приемателната антена на устройството, което приема смущенията.
5. Опитайте да приложите комбинация от горните мерки.

## 2.5 Общ преглед на продукта

Преносимите турбидиметри 2100Q и 2100Q/s измерват мътноста от 0 до 1000 NTU (FNU). Преносимият уред е предназначен главно за полева употреба и работи с 4 батерии AA. Данните могат да се запазват и прехвърлят към, принтер, компютър или USB памет.

**Фигура 1** Общ преглед на продукта

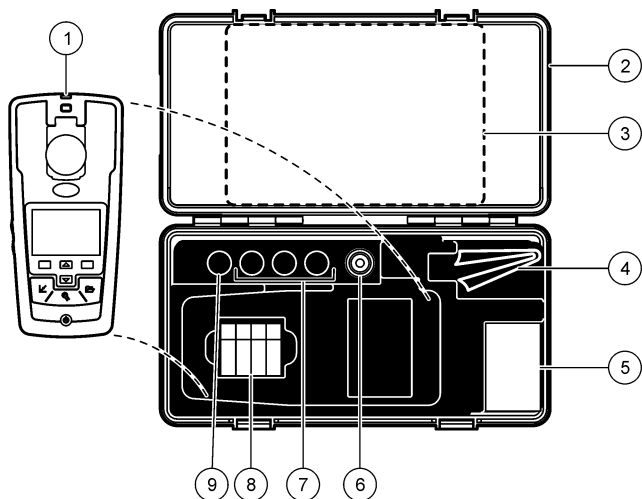


1	Включване или изключване на захранването	5	Стрелка за подравняване
2	Бутони с фонов осветление (+ и -)	6	Модул
3	Държач с капаче на клетката за проба	7	Отделение за лампи
4	Място за поставяне на ремък	8	Отделение за батериите

## 2.6 Компоненти на продукта

Вижте [Фигура 2](#), за да се уверите, че всички компоненти са получени. Ако който и да е от тези елементи липсва или е повреден, веднага се свържете с производителя или негов търговски представител.

Фигура 2 Компоненти на 2100Q и 2100Qis



1 Турбидиметър на 2100Q или 2100Qis	6 Силиконово масло
2 Транспортно куфарче	7 Стандарти за калибриране 20, 100 и 800 NTU StablCal
3 Ръководство на потребителя и Бърз справочник	8 Алкални батерии AA (опаковка с 4 бр.)
4 Намаслена кърпа	9 Тестов стандарт StablCal 10 NTU
5 Клетка за проба 1" (10 mL) с капачка (опаковка с 6 бр.)	

## Раздел 3 Инсталиране

### ▲ ВНИМАНИЕ



Множество опасности. Задачите, описани в този раздел на документа, трябва да се извършват само от квалифициран персонал.

### 3.1 Поставяне на батерията

#### ▲ ПРЕДУПРЕЖДЕНИЕ



Опасност от експлозия. Изтощената батерия може да причини натрупване на водород във вътрешността на инструмента. Сменете батерията преди изтичане на експлоатационния ѝ срок. Не прибирайте инструмента за продължителни периоди от време, без да сте извадили батерията.

#### ▲ ПРЕДУПРЕЖДЕНИЕ

Опасност от пожар. Използвайте само алкални или никел-металхидридни (NiMH) батерии в измервателното устройство. Други типове батерии или неправилно поставяне може да причинят пожар. Никога не поставяйте различни видове батерии в измервателното устройство.

### Забележка

Отделението за батериите не е водоустойчиво. Ако отделението за батериите се намокри, извадете и подсушете батериите и щателно подсушете вътрешността на отделението. Проверете контактите на батериите за наличие на корозия и ги почистете, ако е необходимо.

### Забележка

При използване на никел-металхидридни (NiMH) батерии иконата на батерията няма да показва пълен заряд след поставяне на току що заредени батерии (NiMH батериите са 1.2 V спрямо 1.5 V за алкалните батерии). Въпреки че иконата не показва пълен заряд на батериите, ако използвате 2300 mAh NiMH батерии, ще постигнете 90 % от времето за експлоатация на устройството (преди да се наложи да ги презаредите) в сравнение с нови алкални батерии.

### Забележка

За да избегнете потенциална повреда на измервателното устройство поради изтичане на батериите, отстранете батериите на измервателното устройство, преди да оставите измервателното устройство за дълъг период, в който няма да го използвате.

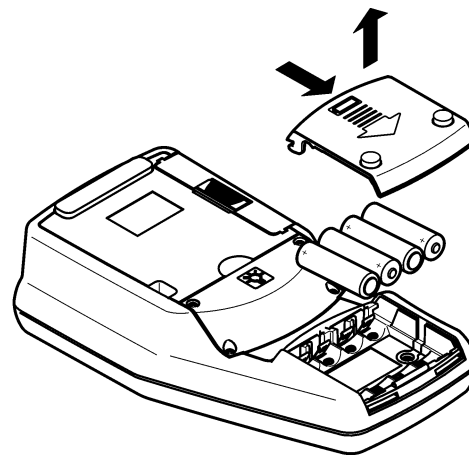
Измервателното устройство може да бъде захранвано с алкални или акумулаторни NiMH батерии, размер AA. За да пести живота на батерията, уредът ще се изключва след 10-минутно бездействие, а фоновото осветление ще угасва след 30 секунди. Можете да промените часа от менюто Управление на захранването.

**Забележка:** Презареждаемите батерии ще се заредят само с модул USB/захранващ. За повече информация вижте в документацията на модула.

За поставянето на батерията вижте [Фигура 3](#).

1. Свалете капак на батериите.
2. Поставете 4 батерии AA алкални или никел-металхидридни (NiMH). Уверете се, че са монтирани и ориентирани правилно.
3. Поставете отново капачето на батериите.

Фигура 3 Поставяне на батериите

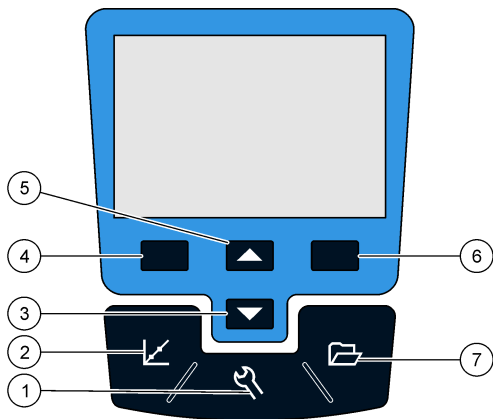




## Раздел 4 Потребителски интерфейс и навигиране

### 4.1 Потребителски интерфейс

Фигура 4 Описание на клавиатурата

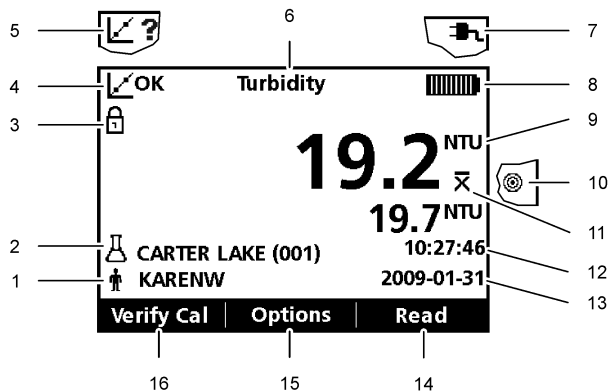


1 Бутон <b>НАСТРОЙКИ</b> : избор на опции от менюто за настройване на уреда	5 Бутон <b>НАГОРЕ</b> : скролиране из менютата, въвеждане на числа и букви
2 Бутон <b>КАЛИБРИРАНЕ</b> : показва екрана за калибриране, начало на калибрирането, избор на опции за калибрирането	6 Бутон <b>НАДЯСНО</b> (контекстен): отчитане на данните за образеца за турбидност, избор или потвърждаване на опции, отваряне/преминаване към подменюта
3 Бутон <b>НАДОЛУ</b> : скролиране из менютата, въвеждане на числа и букви	7 Бутон <b>УПРАВЛЕНИЕ НА ДАННИТЕ</b> : преглед, изтриване или прехвърляне на запазени данни
4 Бутон <b>НАЛЯВО</b> (контекстен): достъп до проверката на калибрирането, отказ или изход от текущия екран на	

### 4.2 Описание на дисплея

На екрана за измерване са показани турбидността, измервателната единица, състоянието на калибриране, датата и часа, ID на оператора (ако е настроен) и ID на пробата (ако е настроен). Вижте [Фигура 5](#).

Фигура 5 Дисплей с единичен екран



1 Идентификация на оператора	9 NTU (единица за нефелометрична турбидност) или FNU (единица за формазинова турбидност)
2 Идентификация на пробата	10 Режим на отчитане: Rapidly Settling Turbidity (икона на целта)
3 Индикатор на стабилността или на блокирането на дисплея	11 Режим на отчитане: Средна ст. сигнал (икона на X с черта)
4 Индикатор на състоянието на калибриране (Калибриране ОК=успешно)	12 Време
5 Индикатор на състоянието на калибриране (Калибриране ?=неуспешно)	13 Дата
6 Име на параметъра	14 Отчитане (контекстно: ОК, Отметни)
7 Икона на	15 Опции (контекстно)
202 Променилото токотова захранване	


### 4.3 Навигация

Уредът има меню "Настройки", меню "Опции измерване", меню "Опции за калибриране" и меню "Опции за проверки на калибр", които позволяват промяна на различните опции. Използвайте бутоните **Нагоре** и **Надолу**, за да засветите различните опции. Натиснете бутона **НАДЯСНО**, за да изберете опция. Има два начина за смяна на опциите:

- Избор на опция от списък: Използвайте бутоните **Нагоре** и **Надолу**, за да изберете опция. Наличието на квадратчета за отметки показва, че може да се избере повече от една опция. Натиснете бутона **Наляво** в Отметни.  
*Забележка:* За да премахнете отметките от квадратчетата, натиснете бутона **Наляво** в Изчисти.
- Въведете стойност за опцията, като използвате бутоните със стрелки: Натиснете бутоните **Нагоре** и **Надолу**, за да въведете или промените някоя стойност.
- Натиснете бутона **Надясно**, за да преминете към следващата позиция.
- Натиснете бутона **Надясно** в **ОК**, за да приемете стойността.

## Раздел 5 Включване

### 5.1 Включване и изключване на уреда

 Натиснете бутона **Вкл./Изкл.**, за да включите или изключите уреда. Ако уредът не се включи, уверете се, че батериите или модула са поставени правилно и че променливотоковото захранване е свързано правилно към електрически контакт.

*Забележка:* За изключване на уреда може да се използва опцията **Автоизключване**. Допълнителна информация е налице на уебсайта на производителя.

## 5.2 Смяна на езика

Има три опции за настройване на езика:

- Екранният език се избира при включването на уреда за първи път.
- Това се извършва при натиснат и задържан бутон на захранването.
- Можете да промените езика от менюто **Настройки**.

1. Изберете език от списъка **Потвърдете с ОК**.
2. Натиснете **Готово** след приключване на актуализирането.

## 5.3 Промяна на датата и часа

Можете да промените датата и часа от менюто **Дата и час**.

1. Натиснете бутон **НАСТРОЙКИ** и изберете **Дата и час**.
2. Актуализирайте данните за часа и датата:

Опция	Описание
<b>Формат</b>	Изберете един от форматите за дата и час: ггг-мм-дд 24 ч ггг-мм-дд 12 ч дд-мм-гггг 24 ч дд-мм-гггг 12 ч мм/дд/гггг 24 ч мм/дд/гггг 12 ч
<b>Дата</b>	Въведете текущата дата.
<b>Час</b>	Въведете текущия час

Текущите дата и час ще се покажат на дисплея.

След настройката на датата и часа уредът е готов за извършване на отчитане.

## Раздел 6 Стандартна операция

### 6.1 Използвайте ID на проба

Маркерът за ID на проба се използва за свързване на отчитанията с конкретното място на пробата. Запомнените данни включват този ID, ако е зададен.

1. Изберете **ID на проба** в меню "Настройки".
2. Избор, създаване или изтриване на ID на проба:

Опция	Описание
<b>Текущ ID</b>	Изберете ID от списък. Текущият ID ще остане свързан с данните за пробите, докато не бъде избран различен ID.
<b>Създаване на нов ID на проба</b>	Въведете име за нов ID на проба.
<b>Изтриване ID на проба</b>	Изтриване на съществуващ ID на проба.

### 6.2 Използване на ID на оператор

Маркерът ID на оператор свързва отчитанията с конкретен оператор. Всички запомнени данни включват този ID.

1. Изберете **ID на оператор** в меню "Настройки".
2. Избор, създаване или изтриване на ID на оператор:

Опция	Описание
<b>Текущ ID</b>	Изберете ID от списък. Текущият ID ще остане свързан с данните за пробите, докато не бъде избран различен ID.

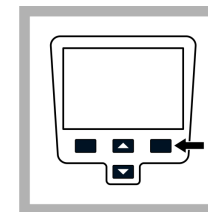
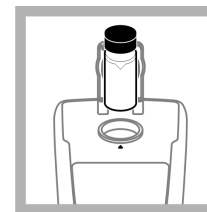
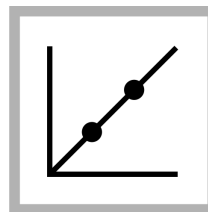
Опция	Описание
Създаване на нов ID на оператор	Въведете име за нов ID на оператор (можете да въведете максимум 10 имена).
Изтриване ID на оператор	Изтриване на съществуващ ID на оператор.

## Раздел 7 Усъвършенствана операция

### 7.1 Калибрирайте турбидиметъра със стандарти StabiCal

**Забележка:** За по-висока точност използвайте една и съща клетка за проба или четири съответстващи си клетки за всички отчитания по време на калибрирането. Поставете клетката за проба в съответното отделение на инструмента, така че ромбчето или маркерът за

ориентиране да съвпадне с изпъкналия маркер пред отделението за клетки.



1. Натиснете бутона **Калибр.**, за да влезете в режим за калибриране.

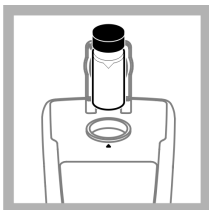
Следвайте указанията на екрана.

**Забележка:** Внимателно обръщайте всеки стандарт, преди да го поставите.

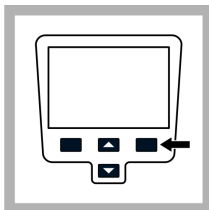
2. Поставете стандарта 20 NTU StabiCal и затворете капака.

**Забележка:** Стандартът, който трябва да се постави, е с кант.

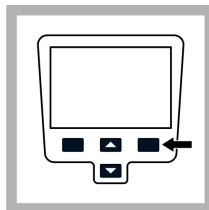
3. Натиснете **Отчитане**. Дисплеят показва стабилизиране и след това резултата.



4. Повторете стъпки 2 и 3 със стандарти 100 NTU и 800 NTU StablCal.  
**Забелжка:**  
Натиснете **Готово**, за да завършите 2-точково калибриране.



5. Натиснете **Готово**, за да видите подробностите от калибрирането.



6. Натиснете **Запазване**, за да запазите резултатите. След приключване на калибрирането измервателният уред автоматично влиза в режима Проверки калибр.,. Допълнителна информация е налице на уебсайта на производителя.

## 7.2 Режи ми на отчитане

1. Натиснете бутоните **Нагоре** и **Надолу**, за да влезете в менюто "Опции измерване".
2. Изберете "Режим на отчитане", за да изберете една от следните опции:

Опция	Описание
<b>Нормално (настройка по подразбиране)</b>	При нормалния режим се отчитат и усредняват три стойности. Резултатът се показва след отчитането.

Опция	Описание
-------	----------

<b>Ср. стойност на сигнала</b>	Режимът "Средна стойност на сигнала" компенсира флукуациите при отчитането, причинени от отклоняването на частици от пробата по пътя на светлината.
--------------------------------	---



Иконата на X с черта се показва върху дисплея, когато усредняването на сигнала е включено.

Режимът "Ср. стойност на сигнала" прави 12 измервания и започва да показва следната стойност след 3 отчитания. Крайният резултат е средната стойност от всички 12 отчитания.

<b>Rapidly Settling Turbidity (RST)</b>	Режимът "Турбидност с бързо утаяване" (RST) изчислява и непрекъснато обновява стойността за турбиността на образец до ниво на достоверност 95%, на база на натрупаните тенденции при стойностите, измерени в реално време.
---	--



Режимът RST е най-подходящ за бързоутаяващи се образци, чиито стойности се менят непрекъснато. Отчитането се основава на правилно подготвен образец, който е хомогенен в началото на отчитането. То е най-подходящо за проби със стойности, по-големи от 20 NTU. Образецът трябва да бъде размесен щателно чрез инверсия, преди да бъде поставен в уреда.

Иконата на целта се показва върху дисплея, когато режимът "Турбидност с бързо утаяване" е включен.

"Турбидност с бързо утаяване" отчита и изчислява пет стойности, като показва междинните резултати.

## Раздел 8 Поддръжка

### ▲ ВНИМАНИЕ



Множество опасности. Задачите, описани в този раздел на документа, трябва да се извършват само от квалифициран персонал.

### 8.1 Почистване на уреда

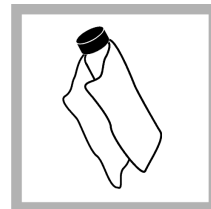
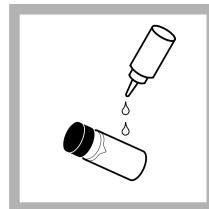
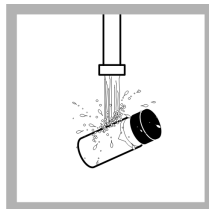
Уредът е конструиран така, че да няма нужда от поддръжка и не изисква редовно почистване при нормална работа. При необходимост външните му повърхности могат да бъдат почистени.  
**Забележка:** Не почиствайте уреда с разтворители, за да избегнете повреждането на материала.

1. Почистете уреда със суха или леко навлажнена немъхеста кърпа, по която няма прах. За мастноразтворими замърсявания можете да използвате разтвор на мек сапун.

### 8.2 Нанесете силиконово масло на една клетка за проба

Клетките за проба и капачките трябва да бъдат изключително чисти и без значителни драскотини. Нанесете тънък пласт силиконово масло от външната страна на клетките за проба, за да скриете дребните несъвършенства и драскотини, които могат да допринесат за разсейване на светлината.

**Забележка:** Използвайте само предоставеното силиконово масло. Това силиконово масло има същия коефициент на пречупване като стъклото на клетката за проба.



1. Почистете външната и вътрешната страна на клетките и капачките чрез измиване с почистващ препарат за лабораторна стъклария. След това изплакнете неколккратно с дестилирана или деминерализирана вода.
2. Нанесете тънък слой силиконово масло от горната към долната част на клетката.
3. Използвайте предоставената намаслена кърпа, за да разпределите маслото равномерно. Избършете излишното количество масло, така че да остане само тънък слой. Уверете се, че клетката за проба е почти суха и по нея се вижда малко или не се вижда масло.  
**Забележка:** Съхранявайте кърпата за намастяване в найлонова торбичка, за да я запазите чиста.

### 8.3 Съхраняване на клетките за проба

#### Забележка

Не подсушавайте на въздух клетките за проба.

**Забележка:** Винаги съхранявайте клетките за проба с капачки, за да ги предпазите от изсъхване.

1. Напълнете клетките за проба с дестилирана или деминерализирана вода.
2. Запушете и запазете клетките за проба.
3. Избършете външната страна на клетките за проба с мека кърпа.

#### 8.4 Смяна на батерията

##### ▲ ПРЕДУПРЕЖДЕНИЕ



Опасност от експлозия. Изтощената батерия може да причини натрупване на водород във вътрешността на инструмента. Сменете батерията преди изтичане на експлоатационния ѝ срок. Не прибирайте инструмента за продължителни периоди от време, без да сте извадили батерията.

##### ▲ ПРЕДУПРЕЖДЕНИЕ

Опасност от пожар. Използвайте само алкални или никел-металхидридни (NiMH) батерии в измервателното устройство. Други типове батерии или неправилно поставяне може да причинят пожар. Никога не поставяйте различни видове батерии в измервателното устройство.

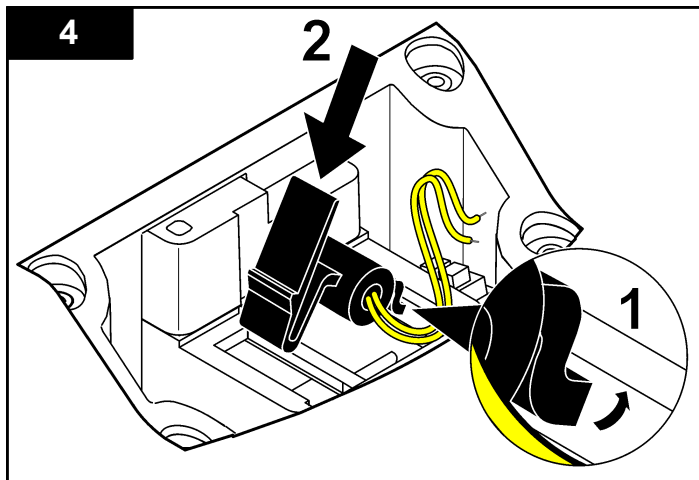
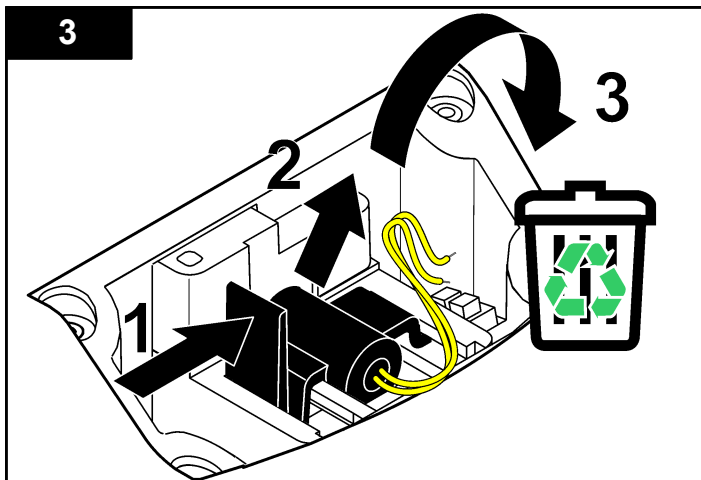
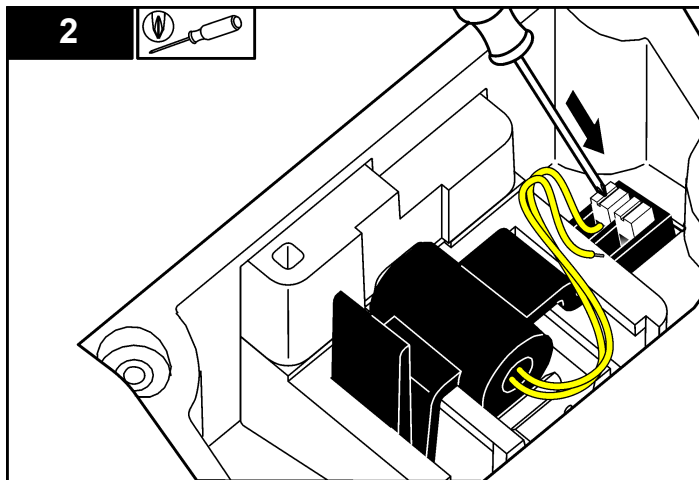
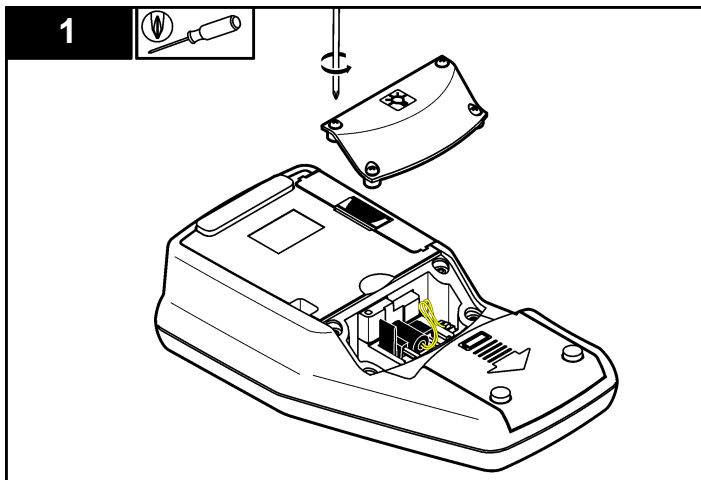
За смяната на батерията вижте [Поставяне на батерията](#) на страница 199.

1. Свалете капак на батериите.
2. Извадете батериите.
3. Поставете 4 батерии AA алкални или никел-металхидридни (NiMH). Уверете се, че са монтирани и ориентирани правилно.
4. Поставете отново капачето на батериите.

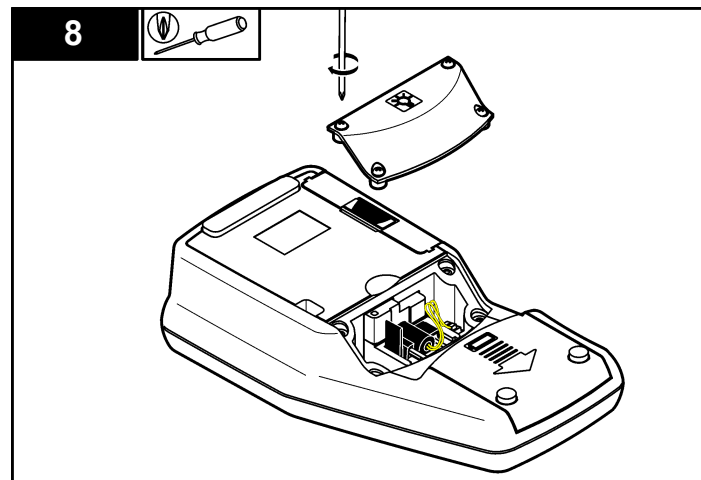
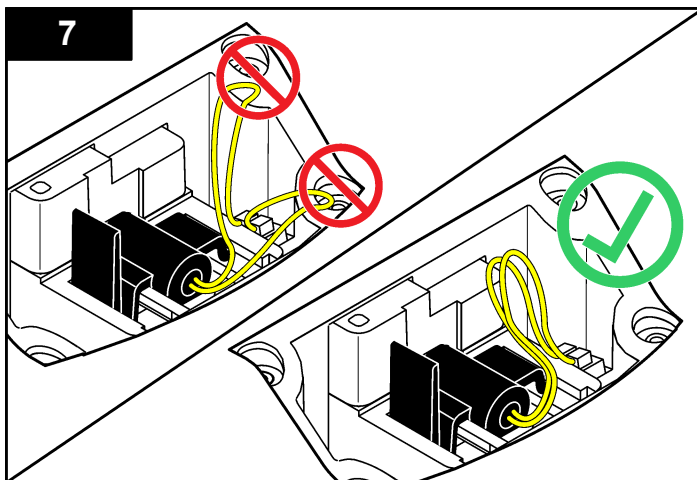
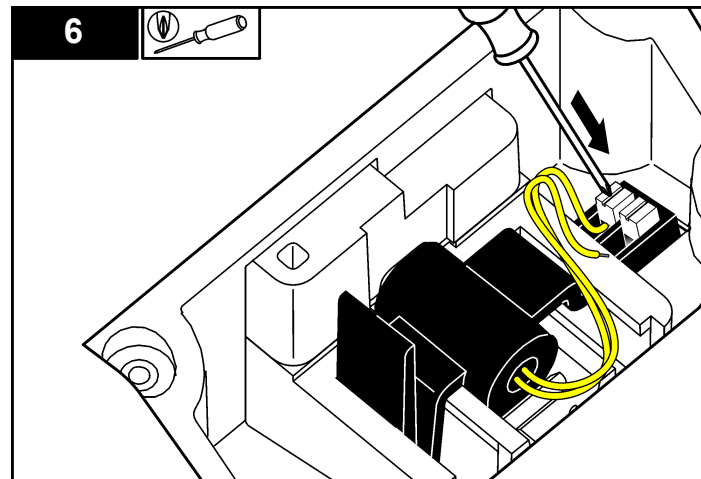
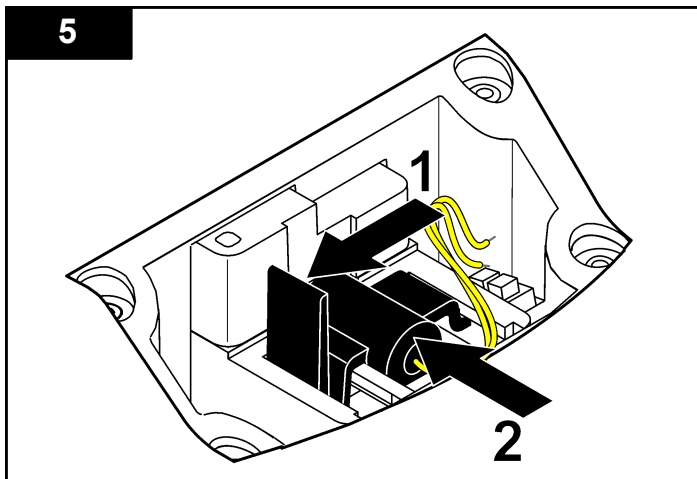
#### 8.5 Смяна на лампата

##### ▲ ВНИМАНИЕ

Опасност от изгаряне. Изчакайте лампата да се охлади. Контактът с нагорещената лампа може да причини изгаряния.







## Раздел 9 Отстраняване на неизправности

Вижте следващата таблица за често срещани съобщения или симптоми за проблеми, възможни причини и корективни действия.

Грешка/предупреждение	Описание	Решение
<b>Затв. капака и нат. Отчит.</b>	Капакът е отворен или детектирането му е неуспешно.	Уверете се, че капакът е затворен по време на отчитането и го извършете отново.
<b>Изтощена батерия!</b>	Батерията е изтощена.	<ul style="list-style-type: none"><li>• Поставете нови батерии</li><li>• Свържете USB/захранващ модул, ако се използват презареждаеми батерии</li></ul>
<b>Отказ на АЦП</b>	Отчитането е неуспешно поради хардуерна грешка.	Повторете отчитането.
<b>Прек.слаб сигн. детектор!</b>	Недостатъчна светлина на детектора на 180°.	<ul style="list-style-type: none"><li>• Проверете за препятствия по пътя на светлината.</li><li>• Проверете лампата.</li></ul>
<b>Над обхвата!</b>	Твърде висока мътност - причинена вероятно от калибриране само с RapidCal.	<ul style="list-style-type: none"><li>• Калибрирайте горния обхват.</li><li>• Разрежете пробата.</li></ul>

Грешка/предупреждение	Описание	Решение
<b>Стойност под обхвата!</b>	Измерената абсорбентност е под обхвата за калибриране.	Повторете калибрирането
<b>Моля, проверете лампата!</b>	Сигналите са твърде ниски на 90° и на 180° детектор.	<b>2100Q:</b> Лампата е неисправна. Сменете лампата (вижте <a href="#">Смяна на лампата</a> на страница 207). <b>2100Qis:</b> Свържете се с техническата поддръжка
<b>Прек. висока температура! Изключете инструмента.</b>	Температурата е превишила ограниченията на уреда (>60 °C или >140 °F).	Изключете уреда и го оставете да изстине.
<b>RST: Средна стойност!</b>	Твърдите частици се утаяват прекалено бавно. Режимът на отчитане не е подходящ за тази проба.	Изберете режим на отчитане "Нормален" или "Средна ст. сигнал".

Грешка/предупреждение	Описание	Решение
<b>Нивото на достоверност е &lt; 95%</b>	Режимът на отчитане Rapidly Settling Turbidity не отговаря на обхвата за достоверност $\geq 95\%$ .	<ul style="list-style-type: none"> <li>Обърнете пробата няколко пъти, за да се разпределят твърдите частици. Повторете отчитането.</li> <li>Превключете към нормален режим на отчитане, ако образецът е стабилен и няма утаяващи се твърди частици.</li> </ul>
<b>Станд. стойност извън обхвата. Поставете стандарта и натиснете Отчит</b>	Използвана е неправилна стойност на стандарта при отчитането.	Поставете подходящия стандарт и направете отново отчитане.
<b>ID се използва. Въведете нов</b>	ID на оператора или на пробата не е свободен, тъй като вече е присвоен.	Създайте си нов ID.
<b>Грешка - Сигурност Задайте паролата преди активиране на защитата</b>	Не е създадена парола	Създайте си нова.
<b>Въведете минимум един символ.</b>	Паролата трябва да съдържа поне един символ.	Създайте парола от поне един символ.
<b>Неправилна парола. Повторете.</b>	Въвели сте неправилна парола.	Въведете подходящата парола.

Грешка/предупреждение	Описание	Решение
<b>Моля, изключете USB кабела от компютъра си.</b>	Записът на данни не реагира, когато е свързан към уреда и към компютъра.	Изключете USB кабела от уреда и опитайте да изпратите данните отново.
<b>Запълн. памет USB модул. Изтрийте данните и опитайте отново.</b>	Пространството за запазване на данни е пълно.	<ol style="list-style-type: none"> <li>Свържете USB/захранващия модул към компютъра.</li> <li>Изтеглете записаните данни в компютъра.</li> <li>Изтрийте регистър данни от модула.</li> </ol>

Грешка/предупреждение	Описание	Решение
<b>Неуспешно изтриване последно отчитане</b>	Грешка при записа на данните.	Включете и изключете уреда. Ако все още има съобщение за грешка, свържете се с Техническата поддръжка.
<b>Неуспешно изтриване на регистър данни!</b>		
<b>Наборът от данни не може да бъде прочетен!</b>		
<b>Запис данни невъзможен!</b>		
<b>Невъзможен запис регистъра на отчитанията!</b>		
<b>Невъзможен запис регистър проверки калибр.!</b>		
<b>Грешка при запис на данни!</b>		
<b>Грешка при четене на данни!</b>		

## Tartalomjegyzék

- 1 [Műszaki adatok](#) oldalon 213      6 [Normál üzemeltetés](#) oldalon 221  
 2 [Általános tudnivaló](#) oldalon 214    7 [Speciális üzemeltetés](#)  
 oldalon 221  
 3 [Összeszerelés](#) oldalon 217      8 [Karbantartás](#) oldalon 223  
 4 [Kezelőfelület és navigálás](#)  
 oldalon 218      9 [Hibaelhárítás](#) oldalon 226  
 5 [Beindítás](#) oldalon 220

## Szakasz 1 Műszaki adatok

A műszaki adatok előzetes bejelentés nélkül változhatnak.

Műszaki adatok	Részletes adatok
Mérési módszer	Arány turbidimetriás meghatározás a primér nefelometrikus fényszórási jel (90°) az átvitt fényszórási jelhez történő használatával.
Szabályozások	<b>2100Q:</b> Megfelel a 180.1. sz. EPA módszernek
Lámpa forrás	<b>2100Q:</b> Tungsten izzószálas lámpa <b>2100Qis:</b> fénykibocsátó dióda (LED)
Mérési tartomány	0-1000 NTU (FNU)
Pontosság	A leolvasás $\pm 2\%$ -a plusz a 0-1000 NTU (FNU)-tól számított diffúz fény
Megismételhetőség	A leolvasás $\pm 1\%$ -a vagy 0.01 NTU (FNU), amelyik nagyobb
Felbontás	0,01 NTU a legalacsonyabb tartományban
Szórt fény	$\leq 0.02$ NTU (FNU)
Jelátlagolás	Választható ki- és bekapcsolás
Detektor	Szilikon fotódióda

Műszaki adatok	Részletes adatok
Túlfeszültség-kategória	II
Magasság	Legfeljebb 2000 m (6562 láb)
Leolvasási üzemmódok	Normális (megnyomás leolvasáshoz), jelátlagolás vagy Rapidly Settling Turbidity
Kalibrálási beállítások	Egy lépéses RapidCal az alacsony szintű szabályozási jelentéshez 0-40 NTU (FNU)-tól Teljes tartományú kalibráció 0-1000 NTU (FNU)-tól Kalibráció a zavarosság fokaihoz
Kalibrálási adatgyűjtő és regisztráló berendezés	Az utolsó 25 sikeres kalibrációt tartja nyilván
Ellenőrzési adatgyűjtés	Az utolsó 250 sikeres ellenőrzésről vezeti az adatokat
Adatnaplózó	500 bejegyzés
Teljesítményigény	Elemellátás: maximum 6 VDC (4 db NiMH 1,2 V AA elem vagy 4 alkalikus 1,5 V AA elem) Külső tápegység: 100-240 VAC $\pm 10\%$ ; kimenet: 5 W (9 VDC, maximum 600 mA)
Üzemelési feltételek	Hőmérséklet: 0-50 °C (32-122 °F) Relatív páratartalom: 0-90% - 30°C-nál, 0-80% - 40 °C-nál, 0-70% - 50 °C-nál, nem kondenzálódó
Tárolási feltételek	-40 és 60 °C között, csak a berendezésre
Interfész	Opcionális USB

Műszaki adatok	Részletes adatok
Minta szükséges	15 mL (0.5 oz.)
Mintacellák	60 x 25 mm-es kör alakú cellák boroszilikát üveg csavaros kupakokkal
Méreték	22.9 x 10.7 x 7.7 cm (9.0 x 4.2 x 3.0 hüvelyk)
Tömeg	530 g (1.17 font) elemek nélkül 620 g a négy AA alkáli akkuval
Mérő doboz hitelesítése	IP67 (lezárt fedél, elemrekesz és modulház nélkül)
Védelmi osztály	2100Q/is: III. osztály Tápellátás: II. osztály
Szennyezési fok	2
Környezeti feltételek	Beltéri és kültéri használat
Tanúsítvány	CE hitelesített
Jótállás	1 év (EU: 2 év)

## Szakasz 2 Általános tudnivaló

A gyártó semmilyen körülmények között sem felelős a jelen kézikönyv hibájából, vagy hiányosságaiból eredő közvetlen, közvetett, véletlenszerű, vagy következményként bekövetkezett kárért. A gyártó fenntartja a kézikönyv és az abban leírt termékek megváltoztatásának jogát minden értesítés vagy kötelezettség nélkül. Az átdolgozott kiadások a gyártó webhelyén találhatóak.

## 2.1 Biztonsági tudnivalók

A gyártó nem vállal felelősséget a termék nem rendeltetésszerű alkalmazásából vagy használatából eredő semmilyen kárért, beleértve de nem kizárólag a közvetlen, véletlen vagy közvetett károkat, és az érvényes jogszabályok alapján teljes mértékben elhárítja az ilyen kárigényeket. Kizárólag a felhasználó felelőssége, hogy felismerje a komoly alkalmazási kockázatokat, és megfelelő mechanizmusokkal védje a folyamatokat a berendezés lehetséges meghibásodása esetén.

Kérjük, olvassa végig ezt a kézikönyvet a készülék kicsomagolása, beállítása vagy működtetése előtt. Szenteljen figyelmet az összes veszélyjelző és óvatosságra intő mondatra. Ennek elmulasztása a kezelő súlyos sérüléséhez vagy a berendezés megrongálódásához vezethet.

A berendezés nyújtotta védelmi funkciók működését nem szabad befolyásolni. Csak az útmutatóban előírt módon használja és telepítse a berendezést.

## 2.2 A veszélyekkel kapcsolatos tudnivalók alkalmazása

### ▲ VESZÉLY

Lehetséges vagy közvetlenül veszélyes helyzetet jelez, amely halálhoz vagy súlyos sérüléshez vezet.

### ▲ FIGYELMEZTETÉS

Lehetséges vagy közvetlenül veszélyes helyzetet jelez, amely halálhoz vagy súlyos sérüléshez vezethet.

### ▲ VIGYÁZAT




Lehetséges veszélyes helyzetet jelez, amely enyhe vagy kevésbé súlyos sérüléshez vezethet.

### MEGJEGYZÉS

A készülék esetleges károsodását okozó helyzet lehetőségét jelzi. Különleges figyelmet igénylő tudnivaló.

## 2.3 Figyelmeztető címkék

Olvassa el a műszerhez csatolt valamennyi címkét és függő címkét. Ha nem tartja be, ami rajtuk olvasható, személyi sérülés vagy műszer rongálódás következhet be. A műszeren látható szimbólum jelentését a kézikönyv egy óvintézkedési mondattal adja meg.

	Ez a biztonsági figyelmeztetés szimbóluma. A személyi sérülések elkerülése érdekében tartson be minden biztonsági utasítást, amely ezt a szimbólumot követi. Ha ezt a jelzést a műszeren látja, az üzemeltetésre és biztonságra vonatkozó információkért olvassa el a használati utasítást.
	Ez a szimbólum áramütés, illetőleg halálos áramütés kockázatára figyelmeztet.
	Az ezzel a szimbólummal jelölt elektromos készülékek Európában nem helyezhetők háztartási vagy lakossági hulladékfeldolgozó rendszerekbe. A gyártó köteles ingyenesen átvenni a felhasználttól a régi vagy elhasználdott elektromos készülékeket.

## 2.4 Megfelelés és tanúsítás

### ▲ VIGYÁZAT

Ez a berendezés nem lakott környezetben való használatra készült, és lehet, hogy nem biztosít megfelelő védelmet a rádióvétel zavarása ellen ilyen környezetben.

### A rádió interferenciát okozó eszközök kanadai szabályozása, ICES-003 A osztály:

A vizsgálati eredmények bizonyítása a gyártónál található.

Ez az A osztályú berendezés megfelel A rádió interferenciát okozó eszközök kanadai szabályozásának.

Cet appareil numérique de classe A répond à toutes les exigences de la réglementation canadienne sur les équipements provoquant des interférences.

### FCC 15 szakasz, az "A" osztályra vonatkozó határokkal

A vizsgálati eredmények bizonyítása a gyártónál található. Az eszköz megfelel az FCC szabályok 15. szakaszában foglaltaknak. A működés a következő feltételek függvénye:

1. A berendezés nem okozhat káros interferenciát.
2. A berendezésnek minden felvett interferenciát el kell fogadnia, beleértve azokat az interferenciákat is, amelyek nem kívánatos működéshez vezethetnek.

A berendezésben véghezvitt, és a megfelelőségbiztosításra kijelölt fél által kifejezetten el nem fogadott változtatások vagy módosítások a berendezés működtetési jogának megvonását vonhatják maguk után. Ezt a berendezést bevizsgálták, és azt az FCC szabályok 15. szakaszának megfelelően, az A osztályú készülékekre érvényes határértékek szerintinek minősítették. E határértékek kialakításának célja a tervezés során a megfelelő védelem biztosítása a káros interferenciák ellen a berendezés kereskedelmi környezetben történő használata esetén. A berendezés rádió frekvencia energiát gerjeszt, használ és sugároz, és amennyiben nem a használati kézikönyvnek megfelelően telepítik vagy használják, káros interferenciát okozhat a rádiós kommunikációban. A berendezésnek lakott területen való működtetése valószínűleg káros interferenciát okoz, amely következtében a felhasználót saját költségére az interferencia korrekciójára kötelezik. A következő megoldások használhatók az interferencia problémák csökkentésére:

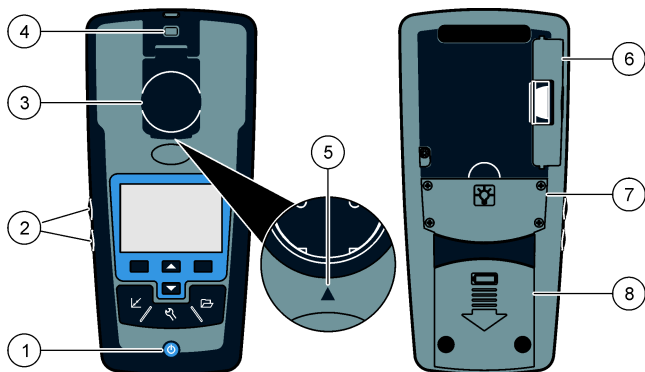
1. Kapcsolja le a berendezést az áramforrásról annak megállapításához, hogy az eszköz az interferencia forrása.
2. Amennyiben a berendezés ugyanarra a csatlakozó aljzatra van téve, mint az interferenciát észlelő készülék, csatlakoztassa a készüléket egy másik csatlakozó aljzatba.
3. Vigye távolabb a készüléket az interferenciát észlelő készüléktől.
4. Állítsa más helyzetbe annak a készüléknek az antennáját, amelyet zavar.
5. Próbálja ki a fenti intézkedések több kombinációját.

## 2.5 A termék áttekintése

A 2100Q és a 2100Q a hordozható zavarosságmérő zavarosság mérésére szolgál a 0 és 1000 NTU (FNU) tartományban. Elsődlegesen terepen történő használatra, a hordozható mérő négy AA akkuval

működik. Az adatok tárolhatók és átvihetők nyomtatóra, számítógépre, vagy USB tároló eszközre.

### 1. ábra A termék áttekintése

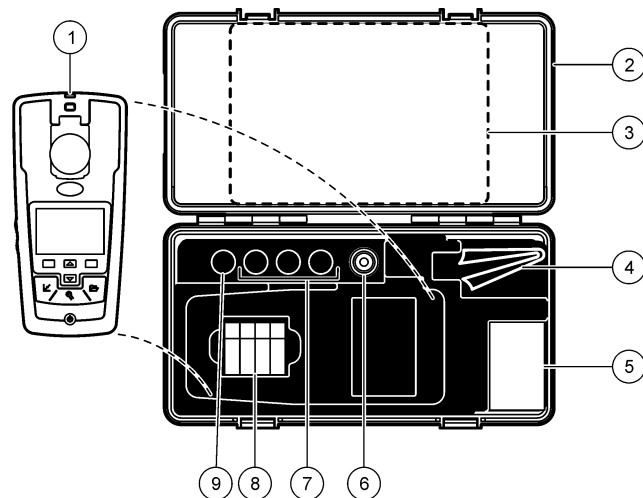


1 Be- és kikapcsolva	5 Csoportosítás nyíl
2 Háttérvilágítás gombjai (+ és -)	6 Modul
3 Mintacella tartó fedéllel	7 Lámpaház
4 Rögzítőpánt csatlakoztatás	8 Akkumulátor rekesz

### 2.6 A termék részegységei

Az összes alkatrész meglétének ellenőrzéséhez lásd: [2. ábra](#). Ha valamelyik tétel hiányzik vagy sérült, haladéktalanul vegye fel a kapcsolatot a gyártóval vagy a kereskedelmi képviselővel.

### 2. ábra 2100Q és 2100Q a komponensek



1 2100Q és 2100Q a zavarosságmérő	6 szilikon olaj
2 Hordtáska	7 20, 100 és 800 NTU StabiCal kalibrációs szabványok
3 Használati utasítás és Gyors referencia útmutató	8 AA alkáli elemek (csomagonként 4 db)
4 Olajzó ruha	9 StabiCal 10 NTU ellenőrzési szabvány
5 2,54 cm-es mintacella (10 mL) kupakkal (csomagonként 6 db)	



## Szakasz 3 Összeszerelés

### ▲ VIGYÁZAT



Többszörös veszély. A dokumentumnak ebben a fejezetében ismertett feladatokat csak képzett szakemberek végezhetik el.

### 3.1 Az akkumulátor behelyezése

#### ▲ FIGYELMEZTETÉS



Robbanásveszély. A lejárt élettartamú akkumulátorból hidrogéngáz gyűlhet össze a műszer belsejében. Cserélje ki az akkumulátort, mielőtt lejár. Ne tárolja a műszert hosszú ideig beépített akkumulátorral.

#### ▲ FIGYELMEZTETÉS

Tűzveszély lehetősége. Csak alkáli vagy nikkel-fémhidrid (NiMH) akkumulátorokat használjon a műszerben. A többi akkumulátor típus, vagy a helytelen beszerelés tüzet okozhat. Soha ne használjon egyszerre eltérő típusú akkumulátorokat a műszerhez.

### MEGJEGYZÉS

Az akkumulátor rekesz nem vízálló. Az akkumulátorrekesz vizesedése esetén ki kell venni az akkumulátorokat, szárazra kell pótolni, és szárazra kell törölni a rekesz belsejét. Ellenőrizze az akkumulátor csatlakozásait, hogy korrózió van-e rajtuk, és szükség esetén tisztítsa meg azokat.

### MEGJEGYZÉS

Nikkel-fémhidrid (NiMH) akkumulátorok alkalmazásakor az akkumulátor ikon nem jelez teljes feltöltést, amikor azok frissen vannak feltöltve (NiMH akkumulátorok 1,2 V-osak szemben az 1,5 V -os lúgos akkumulátorokkal). Bár az ikon nem jelez teljes töltöttséget, a 2300 mAh NiMH akkumulátorok elérik a készülék működési élettartamának 90%-át (újratöltés előtt), szemben az új alkáli akkumulátorokkal.

### MEGJEGYZÉS

A mérőből az akkumulátor szivárgása miatti lehetséges károsodás elkerülése érdekében vegye ki az akkumulátorokat, ha hosszabb időtartamra nem használja a készüléket.

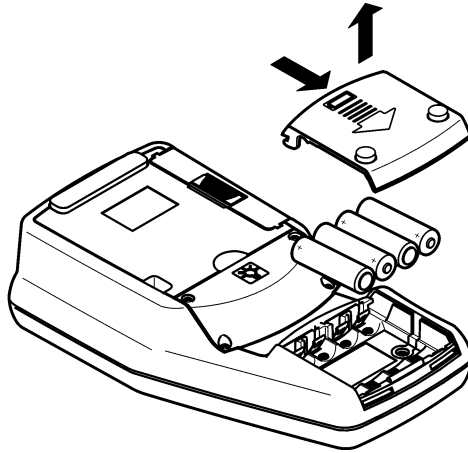
A mérő energiaforrásként AA alkáli, vagy újratölthető NiMH akkumulátorok használhatók. Az akku élettartamának növelése érdekében a mérő kikapcsol, ha 10 percen át nem végez műveletet, a háttérfény 30 másodperc után kapcsol ki. Ez az idő az Áramforrás kezelése menüpontban megváltoztatható.

**Megjegyzés:** Az újratölthető akkuk csak USB/tápforrás modulal tölthetők fel. További információért lásd a modulra vonatkozó dokumentációt.

Az akku behelyezését illetően lásd: [3. ábra](#)

1. Vegye le az akkuk fedelét.
2. Helyezzen be 4 db AA alkáli vagy 4 AA nikkel-metálhidrid (NiMH) elemet. Győződjön meg arról, hogy az akkumulátorok behelyezési iránya megfelelő.
3. Tegye helyére az elemtartó fedelét.

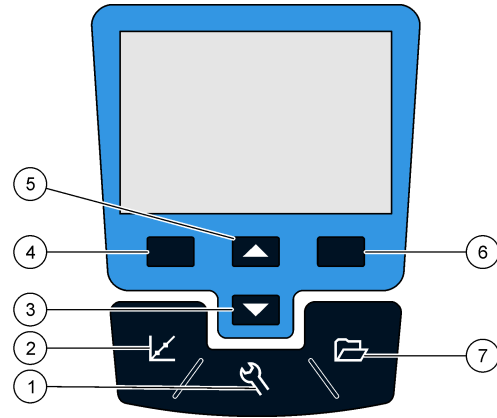
### 3. ábra Az akkumulátorok behelyezése



## Szakasz 4 Kezelőfelület és navigálás

### 4.1 Felhasználói interfész

4. ábra A billentyűzet leírása

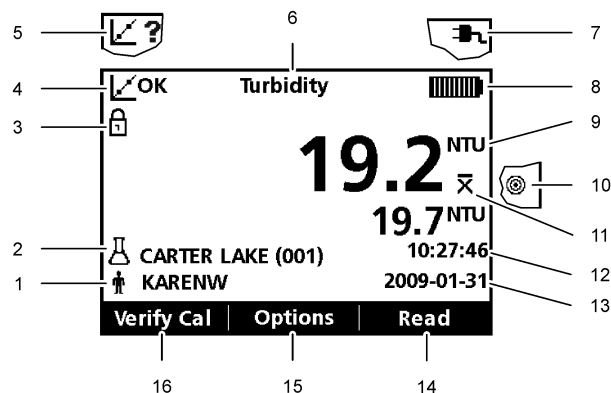


<b>1 BEÁLLÍTÁSOK</b> billentyű: görgesse végig a menüpontokat, írja be a számokat és a betűket	<b>5 FELFELE</b> billentyű: végig görget a menükön, számok és betűk beírása
<b>2 KALIBRÁCIÓ</b> billentyű: a kalibrációs képernyő bemutatása, a kalibráció indítása, kal parancsok kiválasztása	<b>6 JOBBRA</b> billentyű (összefüggéseiben): a zavarossági minta leolvasása, parancsok kiválasztása és megerősítése, az almenük kinyitása/ugrás
<b>3 LEFELE</b> billentyű: végig görget a menüpontokon, számok és betűk beírása	<b>7 ADATKEZELÉS</b> billentyű: a tárolt adatok nézete, törlése vagy átvitele
<b>4 BALRA</b> billentyű (összefüggéseiben): a kalibráció ellenőrzésébe történő belépés, a jelen menü képernyő törlése, vagy abból	

## 4.2 A kijelző ismertetése

A mérési képernyő zavarosságot, egységet, kalibrációs állapotot, dátumot, időt, kezelői azonosítót (a beállítástól függően) és minta azonosítót (a beállítástól függően). Lásd: 5. ábra.

5. ábra Egyképernyős kijelzés



1 Kezelői azonosítás	9 NTU (Nefelometrikus zavarossági egység), vagy FNU (Formazin zavarossági egység)
2 Minta azonosítás	10 Leolvasási üzemmód: Rapidly Settling Turbidity (Cél ikon)
3 Stabilitási vagy kijelzési zár jelző	11 Leolvasási üzemmód: Jelátlag (X-vonás ikon)
4 Kalibrációs állapot jelző (Kalibrálás OK = sikerült)	12 Idő
5 Kalibrációs állapot jelző (Kalibrálás ?= sikertelen)	13 Dátum
6 Paraméter cím	14 Leolvasás (összefüggéseiben: OK, kiválasztás)
7 Váltóáram ikon	15 Opciók (összefüggéseiben)
8 Akku ikon	16 Ellenőrző kalibrálás

## 4.3 Navigálás

A mérő tartalmazza egy Beállítások menüsört, az Parancsok leolvasása menüt, Kalibrációs parancsok menüt és a Kalibráció ellenőrzése parancs menüsört a különféle parancsok megváltoztatásához. Használja a **FELFELÉ** és a **LEFELÉ** billentyűt a különböző parancsok megvilágításához. Nyomja le a **JOBBRA** gombot a parancs kiválasztásához. Két módon lehet megváltoztatni a parancsokat:

1. Válasszon ki egy parancsot a listáról: Használja a **FELFELÉ** és a **LEFELÉ** billentyűt a parancs kiválasztásához. Ha az ellenőrző dobozok jelennek meg, egynél több parancs választható ki. Nyomja le **BALRA** gombot a Kiválasztás alatt.

*Megjegyzés: Az ellenőrző doboz megjelölésének törléséhez nyomja meg a **LEFELÉ** gombot az Inaktiválás alatt.*

2. Írjon be egy parancs értéket a nyílbillentyűk használatával: Nyomja le a **FELFELÉ** és a **LEFELÉ** billentyűt az értékek beírásához, vagy megváltoztatásához.
3. Nyomja le a **JOBBRA** billentyűt, hogy a következő karakterre lépjen.
4. Nyomja le a **JOBBRA** billentyűt az **OK** gomb alatt az érték elfogadásához.

## Szakasz 5 Beindítás

### 5.1 A műszer be- és kikapcsolása



Nyomja meg a **BE/KI** gombot a mérő ki- és bekapcsolásához. Ha a mérő nem kapcsol be, győződjön meg arról, hogy az elemek, vagy a modul jól vannak betéve, vagy az áramellátás megfelelően csatlakozik az elektromos kimenethez.

*Megjegyzés: Az automatikus lekapcsolási parancs is használható a mérő kikapcsolására. További információ a gyártó weboldalán elérhető.*

### 5.2 A nyelv megváltoztatása

Három választási lehetőség van a nyelv beállítására:

- A kijelzés nyelvének kiválasztása először a mérő bekapcsolásakor történik meg.
- A kijelzési nyelv kiválasztása a bekapcsoló gomb lenyomásakor és lenyomva tartásakor történik.
- A nyelv megváltoztatható a Beállítások menüpontból.

1. Válasszon ki egy nyelvet a listáról. Hagyja jóvá az **OK** gomb megnyomásával.
2. Nyomja le a **Kész** gombot, amikor elkészült a frissítéssel.

### 5.3 A dátum és az idő változtatása

A dátum és az idő a Dátum és idő menüponton keresztül változtatható meg.

1. Nyomja meg a **BEÁLLÍTÁSOK** gombot a Dátum és idő kiválasztásával.
2. Frissítse az időpont és a dátum információkat:

Parancs	Leírás
<b>Formátum</b>	Válasszon ki egy dátum és idő formátumot: éééé-hh-nn 24 óra éééé-hh-nn 12 óra nn-hh-éééé 24 óra nn-hh-éééé 12 óra hh/nn/éééé 24 óra hh/nn/éééé 12 óra
<b>Dátum</b>	Az érvényes dátum beírása
<b>Idő</b>	Az érvényes idő beírása

Az érvényes dátum és idő jelenik meg kijelzőként.

A dátum és az idő beállítása után a mérő kész a leolvasásra.

## Szakasz 6 Normál üzemeltetés

### 6.1 A mintaazonosító használata

A használt mintaazonosító címke kapcsolja össze a leolvasást a konkrét minta helyével. Kijelöléskor a tárolt adat tartalmazza ezt az azonosítót.

1. Válassza a **Mintaazonosítót** a Beállítások menüpontban.
2. Mintaazonosító kiválasztása, létrehozása és törlése:

Parancs	Leírás
<b>Jelenlegi azonosító</b>	Azonosító választása a listából. Az érvényes azonosítót kapcsolja össze a minta adatokkal, amíg új azonosító nincs kiválasztva.
<b>Hozzon létre új mintaazonosítót</b>	Írjon be egy nevet az új mintaazonosítóként.
<b>A mintaazonosító törlése</b>	A meglévő mintaazonosító törlése.

### 6.2 Kezelői azonosító használata

A kezelői azonosító címke kapcsolja össze a leolvasást az egyedi kezelővel. Minden tárolt adat tartalmazza ezt az azonosítót.

1. Válassza a **Kezelői azonosítót** a Beállítások menüpontokból.
2. Kezelői azonosító kiválasztása, létrehozása vagy törlése:

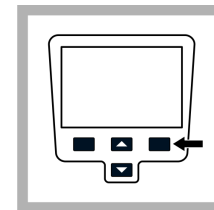
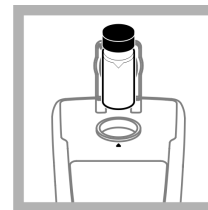
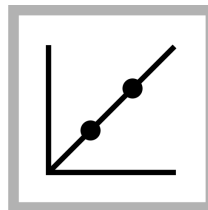
Parancs	Leírás
<b>Aktuális azonosító</b>	Egy azonosító kiválasztása a listából. Az aktuális azonosítóval kapcsolja össze a minta adatait egy másik azonosító kiválasztásáig.

Parancs	Leírás
<b>Új kezelői azonosító létrehozása</b>	Írja be az új kezelői azonosítót (legfeljebb 10 név írható be).
<b>Törölje a kezelői azonosítót</b>	Törölje az aktuális kezelői azonosítót.

## Szakasz 7 Speciális üzemeltetés

### 7.1 A zavarosságmérő kalibrálása a StablCal szabványai szerint

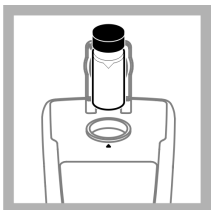
***Megjegyzés:** A maximális pontosság érdekében használja a mintacellát, vagy négy egyenlő mintacellát a leolvasásra a kalibráció során. Helyezze be a mintacellát a berendezés cella tartójába úgy, hogy a gyémánt, vagy a behelyezés helyes irányának jelzője megfeleljen a cella tartó elején levő domború behelyezési irányjelzőnek.*



1. Nyomja le a **KALIBRÁCIÓ** gombot a Kalibrálás üzemmódjának beírásához. Kövesse a kijelzés szerinti utasításokat.  
**Megjegyzés:** Gyengéden fordítson el minden szabványt a szabvány behelyezése előtt.

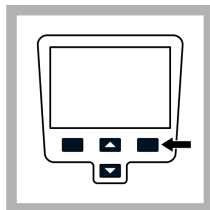
2. Helyezze be a 20 NTU StablCal szabványt és zárja le a fedelet.  
**Megjegyzés:** A behelyezendő szabvány bekeretezve jelenik meg.

3. Nyomja meg az **Olvasás** gombot. A kijelzés Stabilizálást jelez, majd az eredményt mutatja be.

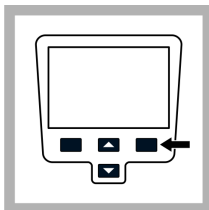


4. Ismételje meg a 2. és a 3. lépést a 100 NTU, valamint a 800 NTU StablCal szabvánnyal.

*Megjegyzés: Nyomja le a **Kész** gombot a kétpontos kalibráció befejezéséhez.*



5. Nyomja le a **Kész** gombot a kalibrációs adatok áttekintéséhez.



6. Nyomja le a **Tárolás** gombot az eredmények elmentéséhez. A kalibráció befejezését követően a mérő automatikusan beáll a Verify Cal üzemmódra. További információ a gyártó weboldalán elérhető.

## 7.2 Leolvasási üzemmódok

1. Nyomja le a **FELFELÉ** vagy a **LEFELÉ** gombot a Leolvasási opciók menüpontba való belépéshez.
2. Válassza ki a Leolvasási üzemmódot a következő parancsok egyikének kiválasztáshoz:

Opció	Leírás
<b>Normális (alapbeállítás)</b>	A normális üzemmód három leolvasást végez és átlagol. Az eredmény látható a leolvasás után.

Opció	Leírás
-------	--------

### Jelátlag



A Jelátlag üzemmód a fény útvonalán áthaladó mintában a részecskék mozgása által okozott leolvasási ingadozásokat egyenlíti ki.

Az X-vonás ikon látható a kijelzőn, amikor a jelátlagolás történik.

A Jelátlag üzemmód 12-szer végez mérést és az átlagot három leolvasás után mutatja ki. A végeredmény mind a 12 leolvasás átlagolásának az eredménye.

### Rapidly Settling Turbidity (RST)



A Rapidly Settling Turbidity™ (RST) üzemmód kiszámítja és folyamatosan frissíti a minták zavarossági leolvasását 95%-os megbízhatóságig, a valósidős mért értékek halmozott trendje alapján.

Az RST üzemmód a legjobban azokon a mintákon használható, amelyek gyorsan ülepsznek és értékben folyamatosan változnak. A leolvasás a pontosan előkészített, a leolvasás kezdetekor homogén mintán alapszik. A legjobban a 20 NTU-nál nagyobb értékű minták esetén használható. A minta átfordítással alaposan felkeverendő közvetlenül a mérőbe történő behelyezés előtt.

A cél ikont mutatja a kijelző, a Rapidly Settling Turbidity alatt.

A Rapidly Settling Turbidity öt leolvasást végez és számol ki, amíg közbenső eredményeket mutat.

## Szakasz 8 Karbantartás

### ▲ VIGYÁZAT



Többszörös veszély. A dokumentumnak ebben a fejezetében ismertetett feladatokat csak képzett szakemberek végezhetik el.

### 8.1 Tisztítsa le a mérőt

A mérőt karbantartásmentesre tervezték és nem kíván rendszeres tisztítást a normális működéshez. A mérő külső felületei szükség szerint tisztíthatók.

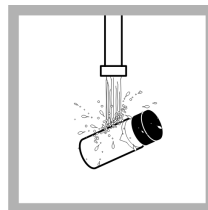
**Megjegyzés:** Az anyagkárosodás elkerülése érdekében a mérő nem tisztítható oldószerekkel.

1. Tisztítsa a mérőt por- és szőszmentes száraz, vagy enyhén nedves ruhával. Enyhe szappanos oldat is használható zsírban oldódó szennyezettség esetén.

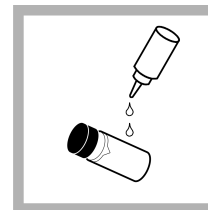
### 8.2 Adagoljon szilikon olajat egy mintacellába

A mintacelláknak és a kupakoknak rendkívül tisztának, minden erősebb karcoldástól menteseknek kell lenniük. Vigyen fel egy vékony szilikon olaj réteget a mintacella külsejére az apróbb hibák, karcoldások befedésére, amelyek a fényszóródáshoz vezethetnek.

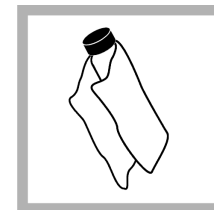
**Megjegyzés:** Csakis a mellékelt szilikon olajat használja. Ennek a szilikon olajnak a refrakciós indexe megegyezik a mintacella üvegével.



1. Tisztítsa le a cella és a kupak külsejét és belsejét laboratóriumi üvegtisztító szerrel. Folytassa többszöri desztillált és demineralizált vizes öblítéssel.



2. Kenjen fel egy cseppnyi szilikon olajat a cella tetejéről kezdve az alja felé haladva.



3. Használja a mellékelt olajzó ruhát az olaj egyenletes szétkenésére. Törölje le a fölösleges mennyiséget úgy, hogy csak egy vékony, egyenletes olajréteg maradjon. Ellenőrizze, hogy a mintacella szinte teljesen száraz, kevés, vagy láthatatlan mennyiségű olajjal.  
**Megjegyzés:** A ruha tisztántartása érdekében tárolja az olajzó ruhát egy műanyag tárolózsákban.

### 8.3 A mintacellák tárolása

#### MEGJEGYZÉS

A mintacellákat ne szárítsuk levegőn.

**Megjegyzés:** Mindig lezárt kupakkal tárolja a minta cellákat, hogy a cellák kiszáradását megelőzze.

1. Töltse fel a mintacellákat desztillált, vagy demineralizált vízzel.
2. Zárja le és tárolja a mintacellákat.
3. Törölje le a mintacellák külsejét puha ruhával.

## 8.4 Az akku pótlása

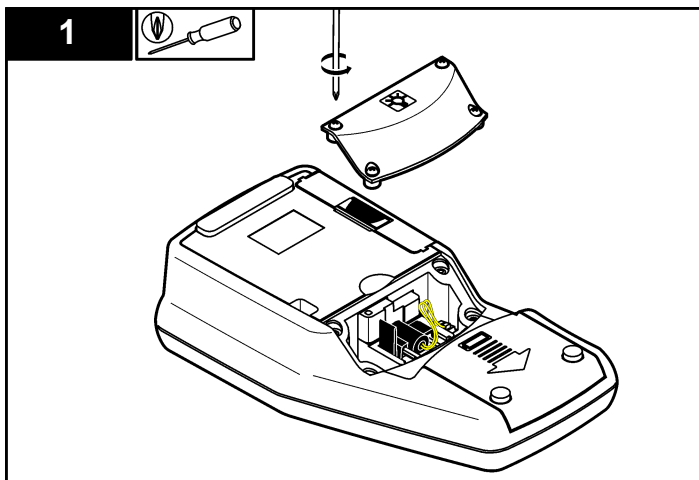
### ▲ FIGYELMEZTETÉS



Robbanásveszély. A lejárt élettartamú akkumulátorból hidrogéngáz gyűlhet össze a műszer belsejében. Cserélje ki az akkumulátort, mielőtt lejár. Ne tárolja a műszert hosszú ideig beépített akkumulátorral.

### ▲ FIGYELMEZTETÉS

Tűzveszély lehetősége. Csak alkáli vagy nikkel-fémhidrid (NiMH) akkumulátorokat használjon a műszerben. A többi akkumulátor típus, vagy a helytelen beszerelés tüzet okozhat. Soha ne használjon egyszerre eltérő típusú akkumulátorokat a műszerhez.



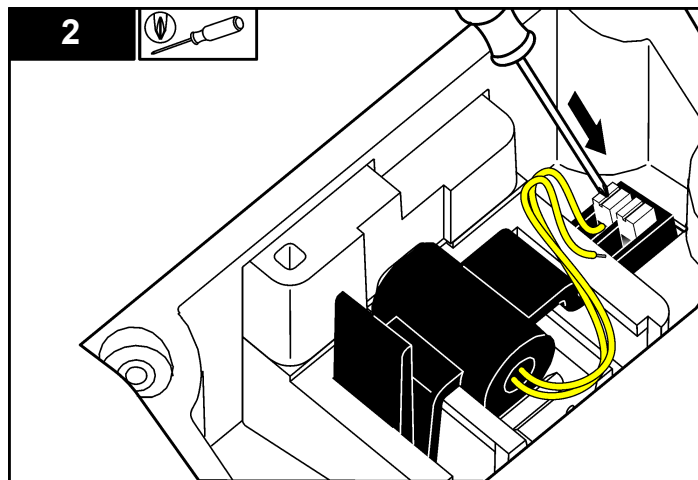
Az akku pótlását illetően lásd [Az akkumulátor behelyezése](#) oldalon 217.

1. Vegye le az akkuk fedelét.
2. Vegye ki az akkukat.
3. Helyezzen be 4 db AA alkáli vagy 4 AA nikkel-metálhidrid (NiMH) elemet. Győződjön meg arról, hogy az akkumulátorok behelyezési iránya megfelelő.
4. Tegye helyére az elemtartó fedelét.

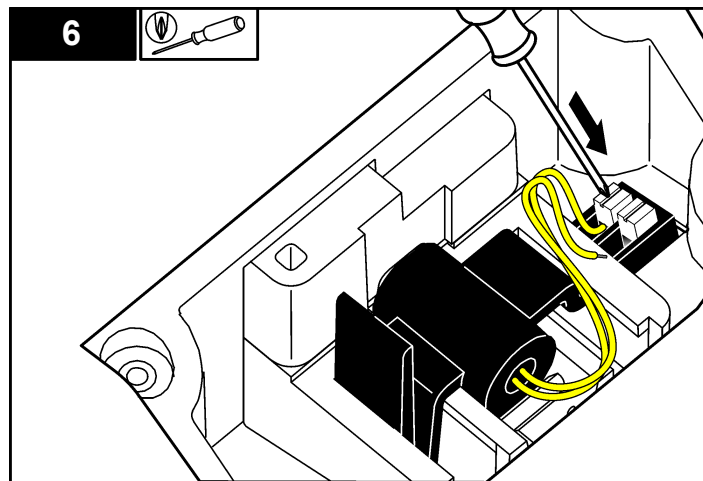
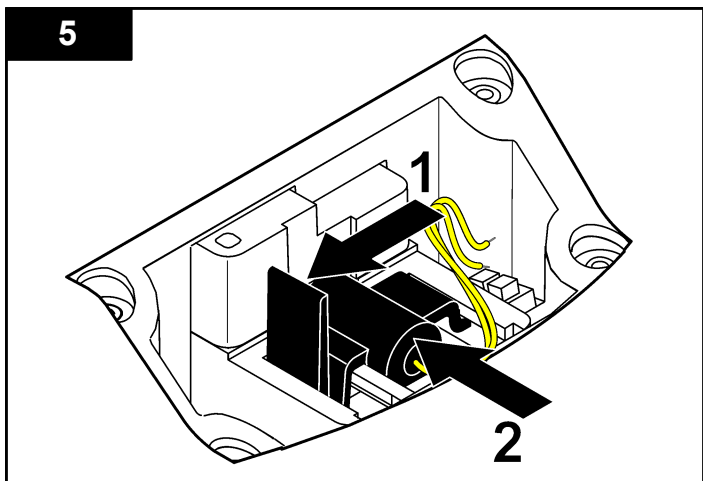
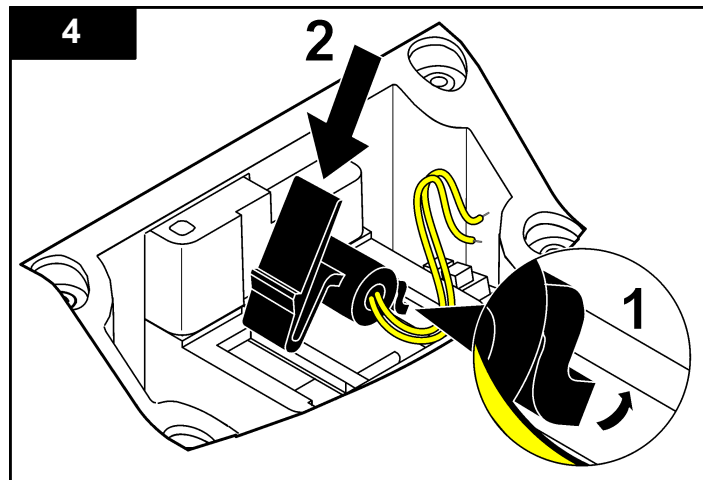
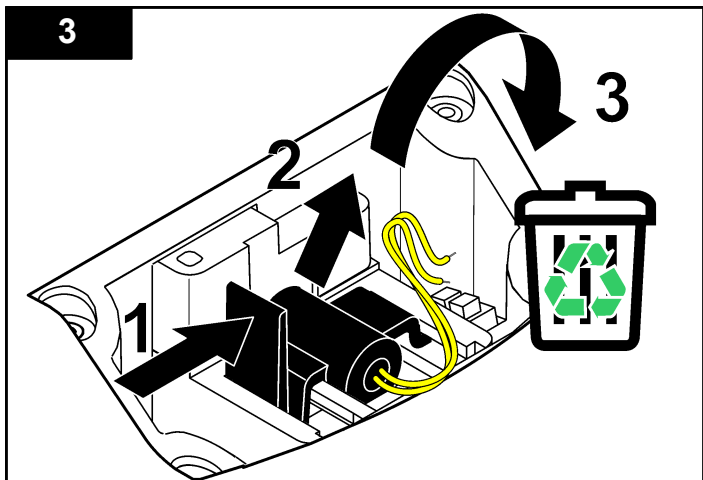
## 8.5 Tegye vissza a lámpát

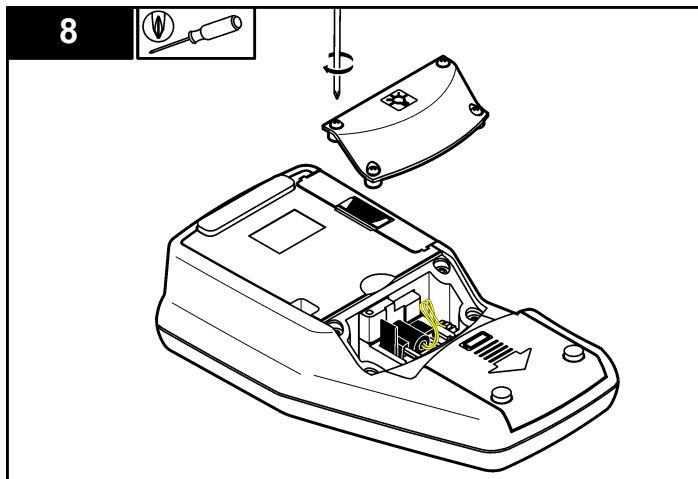
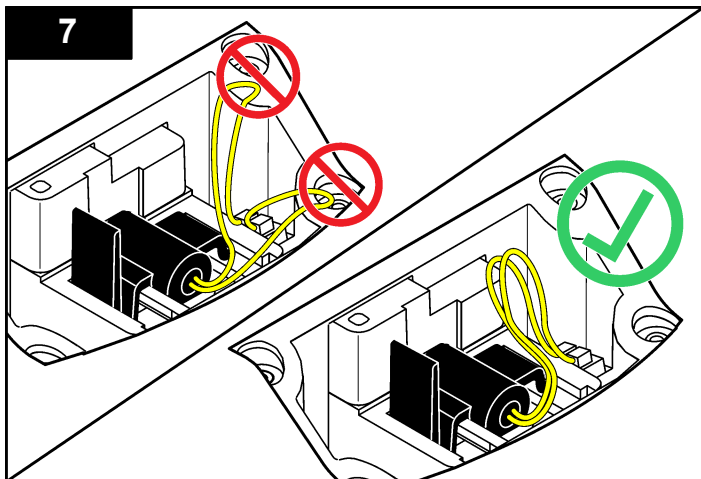
### ▲ VIGYÁZAT

Égési sérülés veszélye. Várja meg a lámpa lehűlését. A forró lámpa érintése égési sérülést okozhat.









## Szakasz 9 Hibaelhárítás

Lásd a következő táblázatot a gyakori hibaüzenetekkel és tünetekkel, a lehetséges okokkal és a korrekció lépéseivel.

Hiba/figyelmeztetés	Leírás	Megoldás
<b>A fedél lezárása és a Leolvasás megnyomása.</b>	Ez a fedél nyitva vagy fedél érzékelése meghiúsult.	Ellenőrizze, hogy a fedél le van zárva az ismételt leolvasáskor.
<b>Az akku lemerült!</b>	Az akku lemerült.	<ul style="list-style-type: none"> <li>Helyezzen be új akkukat.</li> <li>Csatlakoztassa az USB/táp modult, ha feltölthető akkukat használ</li> </ul>

Hiba/figyelmeztetés	Leírás	Megoldás
<b>A/D hiba!</b>	Hardver hiba miatt a leolvasás sikertelen.	Ismételje meg a leolvasást.
<b>Az érzékelőből jövő jel gyenge!</b>	A 180° érzékelőben nem elegendő a fény.	<ul style="list-style-type: none"> <li>Ellenőrizze a fény útvonalának esetleges elzáródását.</li> <li>Ellenőrizze a lámpát.</li> </ul>
<b>Tartományon kívüli!</b>	A zavarosság túl magas - valószínűleg mert csak a RapidCal kalibrálta.	<ul style="list-style-type: none"> <li>Kalibrálja a felső tartományt.</li> <li>Hígítsa a mintát.</li> </ul>

Hiba/figyelmeztetés	Leírás	Megoldás
<b>Tartomány alatti!</b>	A mért elnyelődés a kalibrációs tartománya alatt van.	Ismételje meg a kalibrálást.
<b>Kérjük, ellenőrizze a lámpát!</b>	A jel túl alacsony a 90°-os és a 180°-os érzékenlőn.	<b>2100Q</b> A lámpa hibás. Cserélje ki a lámpát (lásd <a href="#">Tegye vissza a lámpát</a> oldalon 224). <b>2100Q a</b> : Lépjen kapcsolatba a Műszaki segítségnyújtással
<b>Túl magas a hőmérséklet! Kapcsolja ki az eszközt.</b>	A hőmérséklet meghaladja a mérő korlátait (>60 °C).	Kapcsolja ki a mérőt és hagyja kihűlni.
<b>RST: Átlagérték!</b>	A részecskék túl lassan ülepednek. A leolvasási üzemmód nem megfelelő erre a mintára.	Válassza a Normális, vagy a Jelátlag leolvasási üzemmódot.
<b>A megbízhatósági szint &lt; 95%</b>	A Rapidly Settling Turbidity leolvasási üzemmód nem érte el a $\geq 95\%$ megbízhatósági tartományt.	<ul style="list-style-type: none"> <li>Többször forgassa át a mintát a részecskék szétterüléséhez. Ismétlje meg a leolvasást.</li> <li>Kapcsolja a Normális leolvasási üzemmódra, ha a minta stabil és nincs benne köthető szilárd anyag.</li> </ul>

Hiba/figyelmeztetés	Leírás	Megoldás
<b>Tartományon kívüli szabvány érték. Nyomja be a szabványt és nyomja meg a Leolvasást</b>	Pontatlan szabvány értéket használt a leolvasáshoz.	Helyezze be a megfelelő szabványt és ismét olvassa le.
<b>Az azonosítót már használják. Írjon be új azonosítót</b>	A kezelői, vagy a minta azonosítója nem használható, azt már használják.	Új azonosító létrehozása.
<b>Hiba - Biztonság Kérjük állítson be jelszót a biztonság aktiválása előtt</b>	Az új jelszó létrehozása nem történt meg.	Hozzon létre új jelszót.
<b>Kérjük, írjon be legalább egy karaktert.</b>	A jelszónak legalább egy karakterből kell állnia.	Hozzon létre egy legalább egy karakteres jelszót.
<b>Hibás jelszó. Kérjük, próbálja meg ismét.</b>	Hibás jelszó beírása.	Írja be a helyes jelszót.
<b>Kérjük, vegye le az USB kábelt a számítógépéről.</b>	A mérőhöz és a számítógéphez csatlakoztatva az adattároló nem válaszol.	Vegye le az USB kábelt a mérőről és ismét próbáljon adatot küldeni.
<b>Az USB modul megtelt. Törölje az adatot és próbálja meg ismét.</b>	Az adattároló telve.	<ol style="list-style-type: none"> <li>Csatlakoztassa az USB/táp modult a számítógéphez.</li> <li>Töltse le a tárolt adatot a számítógépre.</li> <li>Törölje az adatnaplót a modulon.</li> </ol>

Hiba/figyelmeztetés	Leírás	Megoldás
<b>Törölje az utolsó meghiúsult leolvasást!</b>	Hiba az adattárolásban.	Kapcsolja ki a mérőt, majd be. Ha még mindig feljön a hibaüzenet, lépjen kapcsolatba a műszaki segítségnyújtással.
<b>Törölje a Meghiúsult adatnaplót!</b>		
<b>Az adatkészlet nem olvasható!</b>		
<b>Az adat nem tárolható!</b>		
<b>A Leolvasási napló nem tárolható!</b>		
<b>A kalibrálási napló ellenőrzése nem tárolható!</b>		
<b>Adattárolási hiba!</b>		
<b>Adat leolvasási hiba!</b>		

## Cuprins

- |   |   |   |                                      |
|---|---|---|--------------------------------------|
| 1 | Specificații de la pagina 229                           | 6 | Operațiune standard de la pagina 237 |
| 2 | Informații generale de la pagina 230                    | 7 | Operațiune avansată de la pagina 237 |
| 3 | Instalarea de la pagina 233                             | 8 | Întreținerea de la pagina 238        |
| 4 | Interfața cu utilizatorul și navigarea de la pagina 234 | 9 | Depanare de la pagina 243            |
| 5 | Pornirea sistemului de la pagina 236                    |   |                                      |

## Secțiunea 1 Specificații

Specificațiile pot fi modificate fără notificare prealabilă.

Specificație	Detalii
Metoda de măsurare	Stabiliți proporția turbidimetrică utilizând un semnal principal de dispersie a luminii nefelometric (90°) pentru semnalul de dispersie a luminii transmis.
Reglementări	<b>2100Q:</b> Respectă Metoda EPA 180.1
Sursă lampă	<b>2100Q:</b> Lampă cu filament tungsten <b>2100Qis:</b> Diodă luminiscentă (LED)
Interval	0–1000 NTU (FNU)
Precizie	±2% din citire plus lumină de dispersie de la 0–1000 NTU (FNU)
Repetabilitate	±1% din citire sau 0,01 NTU (FNU), oricare este mai mare
Rezoluție	0,01 NTU pe intervalul cel mai mic
Lumină de dispersie	≤ 0,02 NTU (FNU)

Specificație	Detalii
Medierea valorilor semnalului	Pornit sau oprit selectabil
Detector	Fotodiodă siliconică
Categorie de supratensiune	II
Altitudine	2000 m (6562 ft) maxim
Moduri de citire	Normal (Apăsare pentru înregistrare), Medierea valorilor semnalului sau Rapidly Settling Turbidity
Opțiuni de calibrare	RapidCal într-un singur pas pentru Raportare regulamentară nivel scăzut de la 0–40 NTU (FNU) Calibrare a întregului interval de la 0–1000 NTU (FNU) Calibrare la gradele de turbiditate
Înregistrator calibrare	Înregistrează ultimele 25 de calibrări de succes
Înregistrator verificare	Înregistrează ultimele 250 de verificări de succes
Înregistrator de date	500 înregistrări
Cerințe de alimentare	Alimentat cu baterie: 6 VDC maxim (4 baterii NiMH 1,2 V AA sau 4 baterii alcaline 1,5 V AA) Alimentare externă: 100-240 VCA ± 10%; ieșire 5 W (9 VDC, 600 mA maxim)
Condiții de utilizare	Temperatură: 0 - 50 °C (32 - 122 °F) Umiditate relativă: 0–90% la 30 °C, 0–80% la 40 °C, 0–70% la 50 °C, non-condensare

Specificație	Detalii
Condiții de stocare	-40 la 60 °C (-40 la 140 °F), doar instrument
Interfață	USB opțional
Eșantion necesar	15 mL (0,5 oz.)
Celule de probă	Celule rotunde 60 x 25 mm (2.36 x 1 in.) sticlă borosilică cu dopuri filetate
Dimensiuni	22.9 x 10.7 x 7.7 cm (9.0 x 4.2 x 3.0 in.)
Greutate	530 g (1.17 lb) fără baterii 620 g (1,37 lb) cu patru baterii alcaline AA
Regim nominal montură turbidimetru	IP67 (capac închis, fără compartiment baterie și modul)
Clasă de protecție	2100Q/is: Clasa III Alimentare electrică: Clasa II
Gradul de poluare	2
Condiții ambientale	Utilizare în interior și exterior
Certificare	Certificare CE
Garanție	1 an (UE: 2 ani)

## Secțiunea 2 Informații generale

Producătorul nu se face responsabil în nicio situație de deteriorări directe, indirecte, speciale, accidentale sau pe cale de consecință ce ar rezulta din orice defect sau omisiune din acest manual. Producătorul își rezervă dreptul de a efectua modificări în acest manual și produselor pe

care le descrie, în orice moment, fără notificare sau obligații. Edițiile revizuite pot fi găsite pe site-ul web al producătorului.

### 2.1 Informații referitoare la siguranță

Producătorul nu este responsabil pentru daunele cauzate de utilizarea incorectă a acestui produs, inclusiv și fără a se limita la daunele directe, accidentale sau pe cale de consecință și neagă responsabilitatea pentru astfel de daune în măsura maximă permisă de lege. Utilizatorul este unicul responsabil pentru identificarea riscurilor critice și pentru instalarea de mecanisme corespunzătoare pentru protejarea proceselor în cazul unei posibile defectări a echipamentului.

Citiți în întregime manualul înainte de a despacheta, configura și utiliza aparatura. Respectați toate atenționările de pericol și avertismentele. Nerespectarea acestei recomandări poate duce la vătămări serioase ale operatorului sau la deteriorarea echipamentului.

Verificați dacă protecția cu care este prevăzută aparatura nu este defectă. Nu utilizați sau nu instalați aparatura în niciun alt mod decât cel specificat în prezentul manual.

### 2.2 Informații despre utilizarea produselor periculoase

#### ▲ PERICOL

Indică o situație periculoasă în mod potențial sau iminent care, dacă nu este evitată, va avea ca rezultat decesul sau vătămarea corporală gravă.

#### ▲ AVERTISMENT

Indică o situație periculoasă în mod potențial sau iminent care, dacă nu este evitată, poate conduce la deces sau la o vătămare corporală gravă.

#### ▲ ATENȚIE




Indică o situație periculoasă în mod potențial care poate conduce la o vătămare corporală minoră sau moderată.

## NOTĂ

Indică o situație care, dacă nu este evitată, poate provoca defectarea aparatului. Informații care necesită o accentuare deosebită.

### 2.3 Etichete de avertizare

Citiți toate etichetele și avertismentele cu care este prevăzut instrumentul. În caz de nerespectare se pot produce vătămări personale sau avarieri ale instrumentului. Toate simbolurile de pe instrument sunt menționate în manual cu câte o afirmație de avertizare.

	Acesta este simbolul de alertă privind siguranța. Respectați toate mesajele privind siguranța, care urmează după acest simbol, pentru a evita potențiale vătămări. În cazul prezenței pe instrument, consultați manualul de instrucțiuni pentru informații referitoare la operare sau siguranță.
	Acest simbol indică existența unui risc de electrocutare.
	Echipamentele electrice inscripționate cu acest simbol nu pot fi eliminate în sistemele publice europene de deșeuri. Returnați producătorului echipamentele vechi sau la sfârșitul duratei de viață în vederea eliminării, fără niciun cost pentru utilizator.

### 2.4 Conformitate și certificare

#### ⚠ ATENȚIE

Acest echipament nu este conceput pentru utilizarea în medii rezidențiale și este posibil să nu furnizeze protecție adecvată pentru recepția radio în astfel de medii.

#### Reglementările canadiene privind echipamentele care produc interferențe radio, ICES-003, clasa A:

Înregistrările testelor relevante se află la producător.

Acest aparat digital de clasă A întrunește toate cerințele reglementărilor canadiene privind echipamentele care produc interferențe.

Cet appareil numérique de classe A répond à toutes les exigences de la réglementation canadienne sur les équipements provoquant des interférences.

#### FCC Partea 15, limite pentru clasa „A”

Înregistrările testelor relevante se află la producător. Acest dispozitiv este conform cu Partea 15 din Regulile FCC. Funcționarea se supune următoarelor condiții:

1. Este posibil ca echipamentul să nu genereze interferențe dăunătoare.
2. Echipamentul trebuie să accepte orice interferențe recepționate, inclusiv interferențe care pot provoca funcționare nedorită.

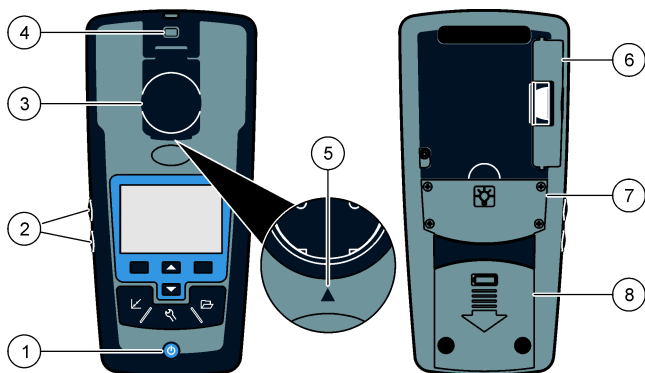
Schimbările sau modificările aduse acestui echipament care nu sunt în mod expres aprobate de partea responsabilă pentru respectarea standardelor, pot conduce la anularea autorității utilizatorului de a folosi acest aparat. Acest aparat a fost testat și s-a constatat că respectă limitele pentru aparate digitale de clasă A, conform Părții 15 a Regulilor FCC. Aceste limite sunt stabilite pentru a asigura o protecție rezonabilă împotriva interferențelor dăunătoare atunci când aparatura este exploatată în condiții comerciale. Acest echipament generează, folosește și poate radia energie cu frecvență radio și, dacă nu este instalat și folosit în conformitate cu manualul de instrucțiuni, poate cauza interferențe dăunătoare asupra comunicațiilor radio. Este probabil ca exploatarea acestui echipament într-o zonă rezidențială să producă interferențe dăunătoare, caz în care utilizatorului i se va solicita să remedieze interferența pe propria cheltuială. Pentru a reduce problemele de interferențe, pot fi utilizate următoarele tehnici:

1. Deconectați echipamentul de la sursa de curent pentru a verifica dacă reprezintă sau nu sursa interferențelor.
2. Dacă echipamentul este conectat la aceeași priză ca dispozitivul care prezintă interferențe, conectați echipamentul la o altă priză.
3. Depărtați echipamentul de dispozitivul care recepționează interferențe.
4. Repoziționați antena de recepție a dispozitivului afectat de interferență.
5. Încercați combinații ale soluțiilor de mai sus.

## 2.5 Prezentare generală a produsului

2100Q și 2100Q<sup>is</sup> sunt turbidimetre portabile care măsoară turbiditatea de la 0 la 1000 NTU (FNU). Conceput în principal pentru utilizarea pe teren, turbidimetrul portabil funcționează cu patru baterii AA. Datele pot fi stocate și transferate la o imprimantă, un computer sau un dispozitiv de stocare USB.

Figura 1 Prezentare generală a produsului

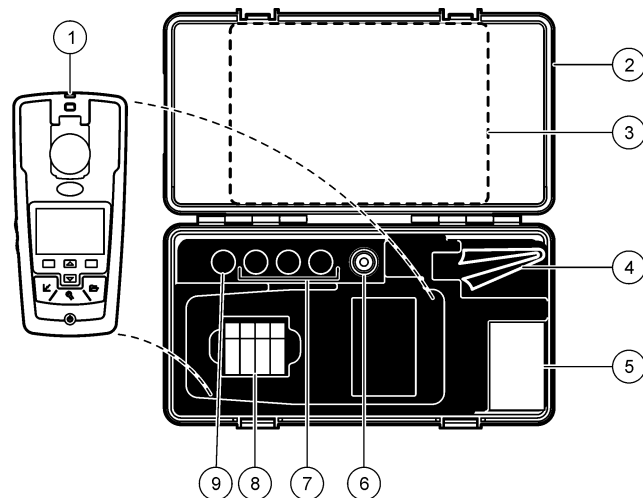


1 Pornirea sau oprirea	5 Săgeată de aliniere
2 Taste iluminate din fundal (+ și -)	6 Modul
3 Suport fiolă eșantion cu capac	7 Compartimentul pentru lămpi
4 Dispozitiv de prindere pentru sfoară	8 Compartiment pentru baterii

## 2.6 Componentele produsului

Consultați [Figura 2](#) pentru a vă asigura că toate componentele au fost primite. Dacă oricare dintre aceste elemente lipsește sau este defect, contactați imediat producătorul sau un reprezentant de vânzări.

Figura 2 2100Q și 2100Q<sup>is</sup> componente



1 2100Q sau 2100Q <sup>is</sup>	6 Ulei siliconic
2 Cutie de transport	7 Standarde de calibrare 20, 100 și 800 NTU StabCal
3 Manualul utilizatorului și Ghidul de referință rapidă	8 Baterii alcaline AA (pk/4)
4 Cârpă de ungere	9 Standard de verificare StabCal 10 NTU
5 Fiolă eșantion 1" (10 mL) cu capac (pk/6)	



## Secțiunea 3 Instalarea

### ▲ ATENȚIE



Pericole multiple. Numai personalul calificat trebuie să efectueze activitățile descrise în această secțiune a documentului.

### 3.1 Instalarea bateriei

#### ▲ AVERTISMENT



Pericol de explozie. Bateriile expirate pot provoca acumulări de gaz hidrogen în interiorul instrumentului. Înlocuiți bateria înainte de a expira. Nu depozitați instrumentul perioade îndelungate cu bateria instalată.

#### ▲ AVERTISMENT

Pericol potențial de incendiu. Utilizați numai baterii alcaline sau nichel hidrură metalică (NiMH) pentru aparatul de măsură. Alte tipuri de baterii sau instalarea incorectă pot provoca un incendiu. Nu amestecați niciodată mai multe tipuri de baterii în aparatul de măsură.

#### NOTĂ

Compartimentul bateriei nu este impermeabil. În cazul în care în compartimentul bateriei intră umezeală, scoateți și uscați bateriile și uscați interiorul compartimentului. Verificați contactele bateriei pentru a identifica posibilă coroziune și curățați-le dacă este necesar.

#### NOTĂ

Atunci când se utilizează baterii nichel-hidrură metalică, pictograma în formă de baterie nu va indica încărcarea completă după instalarea unor baterii proaspăt încărcate (bateriile nichel-hidrură metalică au tensiunea de 1,2 V față de 1,5 V pentru bateriile alcaline). Chiar dacă pictograma nu indică încărcarea completă a bateriei, dacă utilizați baterii NiMH de 2300 mAh veți atinge 90% din durata de funcționare a instrumentului (înainte de a fi necesară reîncărcarea) în comparație cu bateriile alcaline noi.

#### NOTĂ

Pentru a evita potențiala defectare a aparatului de măsură din cauza unei scurgeri a bateriei, scoateți bateriile aparatului înainte de perioadele lungi de neutilizare.

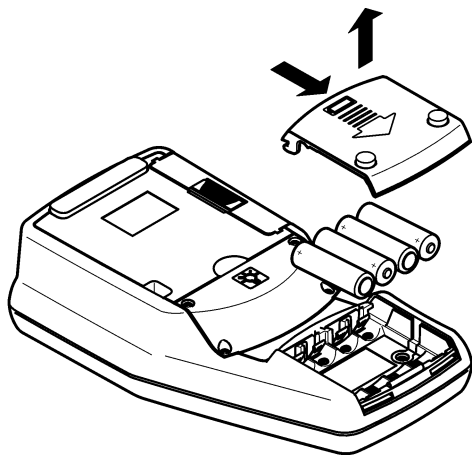
Turbidimetrul poate fi alimentat cu baterii alcaline AA sau reîncărcabile NiMH. Pentru a păstra durata de viață a bateriei, turbidimetrul se va opri după 10 minute de inactivitate, iluminarea fundalului oprindu-se după 30 de secunde. Această perioadă poate fi schimbată în meniul Gestiune alimentare.

**Notă:** Bateriile reîncărcabile vor fi reîncărcate doar prin intermediul modului USB/energie. Consultați documentația modului pentru mai multe informații.

Pentru instalarea bateriei, consultați [Figura 3](#).

1. Îndepărtați capacul compartimentului pentru baterii.
2. Instalați 4 baterii alcaline AA sau 4 baterii cu hidrură dublă de nichel-metal AA (NiMH). Asigurați-vă că bateriile sunt instalate în poziția corectă.
3. Înlocuiți capacul bateriei.

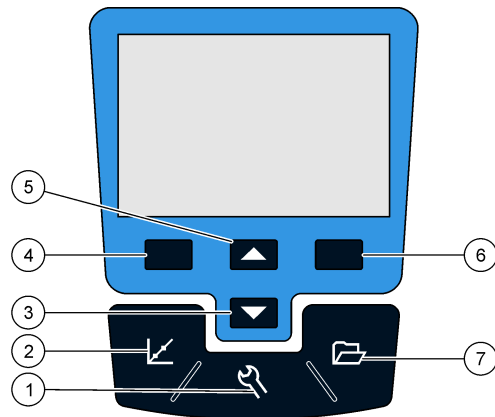
Figura 3 Instalarea bateriilor



## Secțiunea 4 Interfața cu utilizatorul și navigarea

### 4.1 Interfața cu utilizatorul

Figura 4 Descrierea tastaturii

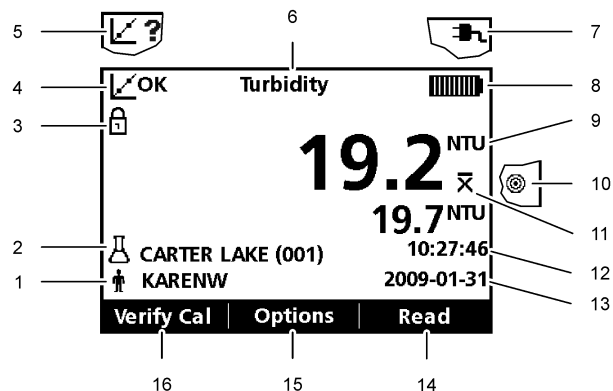


<b>1</b> Tasta <b>SETĂRI</b> : selectați opțiunile de meniu pentru configurarea turbidimetrului	<b>5</b> Tasta <b>SUS</b> : defilează prin meniuri, introduce numere și litere
<b>2</b> Tasta <b>CALIBRARE</b> : prezintă ecranul de calibrare, începerea calibrării, selectarea opțiunilor cal.	<b>6</b> Tasta <b>DREAPTA</b> (contextuală): citește eșantionul de turbiditate, selectează sau confirmă opțiuni, deschide/sare la submeniuri
<b>3</b> Tasta <b>JOS</b> : defilează prin meniuri, introduce numere și litere	<b>7</b> Tasta <b>GESTIONAREA DATELOR</b> : vizualizează, șterge sau transferă datele stocate
<b>4</b> Tasta <b>STÂNGA</b> (contextuală): accesul pentru verificarea calibrării, anulează și abandonează ecranul de meniu curent pentru ecranul de meniu anterior	

## 4.2 Descrierea afișajului

Ecranul de măsurare indică turbiditatea, unitatea, starea calibrării, data și ora, ID-ul operatorului (dacă este setat) și ID-ul eșantionului (dacă este setat). Consultați [Figura 5](#).

Figura 5 Afișaj cu un singur ecran



1	Identificarea operatorului	9	NTU (Unitate de turbiditate nefelometrică) sau FNU (Unitate de turbiditate formazinică)
2	Identificarea probei	10	Mod de citire: Rapidly Settling Turbidity (pictogramă Țintă)
3	Indicatorul de stabilitate sau blocare a afișajului	11	Mod de citire: Medie semnal (pictogramă X-bar)
4	Indicatorul de stare a calibrării (Calibrare OK=reușită)	12	Timp
5	Indicatorul de stare a calibrării (Calibrare ?=eșuată)	13	Data
6	Titlul parametrului	14	Citire (contextuală: OK, Selectare)
7	Pictogramă CA	15	Opțiuni (contextuale)
8	Pictogramă baterie	16	Calibrare de verificare

## 4.3 Navigare

Turbidimetrul conține meniurile Setări, Opțiuni de măsurare și Opțiuni de verificare calibrare pentru a schimba diverse opțiuni. Folosiți tastele **SUS** și **JOS** pentru a evidenția diferitele opțiuni. Apăsati tasta **DREAPTA** pentru a selecta o opțiune. Există două modalități de modificare a opțiunilor:

1. Selectați o opțiune dintr-o listă: Utilizați tastele **SUS** și **JOS** pentru a selecta o opțiune. Dacă sunt afișate casete de validare, se poate selecta mai mult de o opțiune. Apăsati tasta **STÂNGA** în ecranul Selectare.

*Notă: Pentru a debifa casetele de validare, apăsați tasta **STÂNGA**, din Deselectare.*

2. Introduceți o valoare opțională utilizând tastele săgeți: Apăsati tastele **SUS** și **JOS** pentru a introduce sau modifica o valoare.
3. Apăsati tasta **DREAPTA** pentru a avansa la următorul spațiu.
4. Apăsati tasta **DREAPTA** de sub **OK** pentru a accepta valoarea.

## Secțiunea 5 Pornirea sistemului

### 5.1 Porniți și opriți turbidimetrul



Apăsati tasta **ACTIV/INACTIV** pentru a porni sau opri turbidimetrul. Dacă aparatul de măsură nu pornește, asigurați-vă că bateriile sau modulul sunt instalate în mod corespunzător sau că alimentarea CA este conectată corect la o priză electrică.

*Notă: De asemenea, opțiunea Oprire automată poate fi utilizată pentru a opri turbidimetrul. Informații suplimentare sunt disponibile pe site-ul web al producătorului.*

### 5.2 Modificarea limbii

Există trei opțiuni de setare a limbii:

- Limba afișajului este selectată când turbidimetrul este pornit pentru prima dată.
- Limba afișajului este selectată când tasta energie este apăsată și menținută apăsată.
- Limba poate fi schimbată din meniul Setări.

1. Selectați o limbă din listă. Confirmați cu **OK**.
2. Apăsati pe **Finalizat** când actualizarea este încheiată.

### 5.3 Schimbarea datei și a orei

Data și ora pot fi schimbate din meniul Data și ora.

1. Apăsati tasta **SETĂRI** și selectați Data și ora.
2. Actualizați informațiile referitoare la oră și dată:

Opțiunea	Descriere
<b>Formatul</b>	Selectați unul dintre formatele pentru dată și oră: aaaa-ll-zz 24h aaaa-ll-zz 12h zz-ll-aaaa 24h zz-ll-aaaa 12h ll/zz/aaaa 24h ll/zz/aaaa 12h
<b>Data</b>	Introduceți data curentă
<b>Ora</b>	Introduceți ora curentă

Data și ora curente vor fi afișate pe ecran.

După setarea datei și a orei, turbidimetrul este pregătit să efectueze o măsurătoare.

## Secțiunea 6 Operațiune standard

### 6.1 Utilizați un ID eșantion

Eticheta ID eșantion este utilizată pentru a asocia valorile asociate cu o anumită locație a eșantionului. Dacă sunt atribuite, datele stocate vor include acest ID.

1. Selectați **ID eșantion** în meniul Setări.
2. Selectați, creați sau ștergeți un ID eșantion:

Opțiunea	Descriere
<b>ID eșantion</b>	Selectați un ID dintr-o listă. ID-ul curent va fi asociat cu datele eșantionului până va fi selectat un ID diferit.
<b>Crearea unui ID eșantion nou</b>	Introduceți un nume pentru un ID eșantion nou.
<b>Ștergere ID eșantion</b>	Ștergeți un ID eșantion existent.

### 6.2 Utilizați un ID operator

Eticheta ID operator asociază valori unui operator separat. Toate datele stocate includ acest ID.

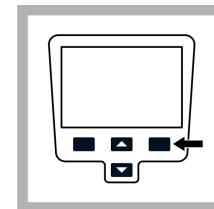
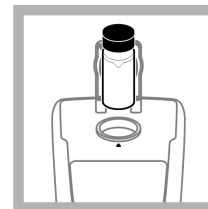
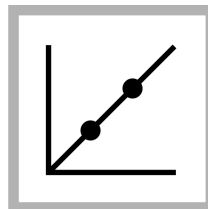
1. Selectați **ID operator** din meniul Setări.
2. Selectați, creați sau ștergeți un ID operator:

Opțiunea	Descriere
<b>ID curent</b>	Selectați un ID dintr-o listă. ID-ul curent va fi asociat cu datele eșantionului până când este selectat un ID diferit.
<b>Creați un ID operator nou</b>	Introduceți un nume pentru un ID operator nou (pot fi introduse maxim 10 nume).
<b>Ștergere ID operator</b>	Ștergeți un ID operator existent.

## Secțiunea 7 Operațiune avansată

### 7.1 Calibrarea turbidimetrului cu soluțiile etalon StabCal

***Notă:** Pentru utilizare cu acuratețe maximă, utilizați aceeași fiolă eșantion sau patru fiole eșantion pentru toate măsurătorile din timpul calibrării. Introduceți fiola eșantion în compartimentul pentru fiola instrumentului astfel încât diamantul sau marcajul de orientare se aliniază cu marcajul de orientare ridicat în fața compartimentului pentru fiolă.*



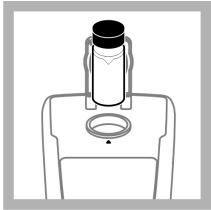
1. Apăsați tasta **CALIBRARE** pentru a accesa modul Calibrare. Urmați instrucțiunile de pe ecran.

***Notă:** Inversați ușor fiecare standard înainte de introducerea standardului.*

2. Introduceți Standardul 20 NTU StabCal și închideți capacul.

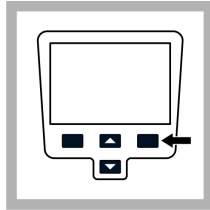
***Notă:** Standardul ce urmează a fi introdus este încadrat.*

3. Apăsați pe **Citire**. Pe afișaj apare Stabilizare și apoi se afișează rezultatul.

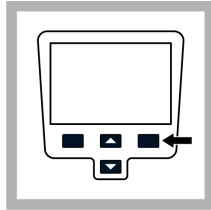


4. Repetați pașii 2 și 3 cu Standardele 100 NTU și 800 NTU StabCal.

**Notă:** Apăsați **Finalizat** pentru a încheia o calibrare în 2 puncte.



5. Apăsați **Finalizat** pentru a revedea detaliile calibrării.





6. Apăsați **Stocare** pentru a salva rezultatele. După ce o calibrare este încheiată, turbidimetrul trece automat în modul Verificare Cal. Informații suplimentare sunt disponibile pe site-ul web al producătorului.


## 7.2 Moduri de citire

1. Apăsați tasta **SUS** sau **JOS** pentru a introduce meniul Opțiuni de măsurare.
2. Selectați Modul de citire pentru a selecta una dintre următoarele opțiuni:

Opțiune	Descriere
<b>Normal (Setare implicită)</b>	Modul normal înregistrează și realizează media a trei valori. Rezultatul este afișat după citire.

Opțiune	Descriere
<b>Medie semnal</b> 	<p>Modul Medie semnal compensează fluctuațiile citirilor cauzate de mișcarea în derivă a particulelor eșantionului prin fluxul de lumină.</p> <p>Pictograma X-bar este prezentată pe afișaj când medierea valorilor este pornită.</p> <p>Modul Medie semnal măsoară de 12 ori și începe să prezinte media după trei citiri. Rezultatul final este media tuturor celor 12 citiri.</p>
<b>Rapidly Settling Turbidity (RST)</b> 	<p>Modul Rapidly Settling Turbidity (RST) calculează și actualizează în mod continuu valoarea măsurată a turbidității probei cu un grad de încredere de 95%, în funcție de tendința acumulată a valorilor măsurate în timp real.</p> <p>Modul RST este utilizat cel mai bine la eșantioane care se instalează rapid și care își modifică continuu valoarea. Citirea se bazează pe un eșantion pregătit corect, omogen la începutul citirii. Este adecvat în cel mai înalt grad eșantioanelor mai mare de 20 NTU. Eșantionul trebuie amestecat bine prin inversiune imediat înainte de introducerea acestuia în turbidimetru.</p> <p>Pictograma țintă apare pe afișaj când Rapidly Settling Turbidity este pornit.</p> <p>Rapidly Settling Turbidity înregistrează și calculează cinci valori, afișând rezultatele intermediare.</p>

## Secțiunea 8 Întreținerea

⚠ ATENȚIE	
	Pericole multiple. Numai personalul calificat trebuie să efectueze activitățile descrise în această secțiune a documentului.

## 8.1 Curățarea turbidimetrului

Turbidimetrul este conceput fără a necesita întreținere și nu necesită curățare regulată pentru funcționarea normală. Suprafețele exterioare ale turbidimetrului pot fi curățate după necesități.

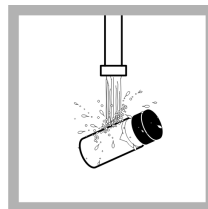
**Notă:** Nu curățați turbidimetrul cu solvenți, pentru a evita deteriorarea materialului.

1. Curățați turbidimetrul cu o cârpă fără praf, scame, uscată sau ușor umedă. De asemenea, poate fi utilizată o soluție cu săpun moale pentru contaminarea cu liposolubile.

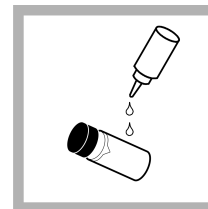
## 8.2 Aplicați ulei siliconic pe o fiolă eșantion

Fiolele eșantion și capacele trebuie să fie foarte curate și să nu prezinte zgărieturi majore. Aplicați un strat subțire de ulei siliconic pe partea exterioară a fiolelor eșantion pentru a masca imperfecțiunile și zgărieturile minore care pot contribui la difuzarea luminii.

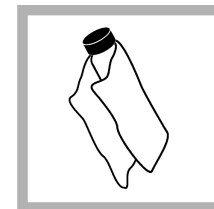
**Notă:** Utilizați doar uleiul siliconic furnizat. Uleiul siliconic are același index de refracție ca sticla fiolelor eșantion.



1. Curățați interiorul și exteriorul celulelor și capacelor prin spălarea cu un detergent de curățare a sticlei de laborator. Clătiți apoi de câteva ori cu apă distilată sau demineralizată.



2. Aplicați o linie subțire de ulei siliconic din partea de sus până la partea de jos a fiolei.



3. Utilizați cârpa de ungere furnizată pentru a uniformiza uleiul. Curățați excesul astfel încât să rămână un strat subțire de ulei. Asigurați-vă că fiola eșantion este aproape uscată, cu puțin sau deloc ulei vizibil.

**Notă:** Depozitați cârpa de ungere într-o pungă de plastic pentru a păstra cârpa curată.

## 8.3 Depozitarea fiolelor eșantion

### NOTĂ

Nu uscați la aer fiolele de eșantion.

**Notă:** Stocați întotdeauna fiolele de eșantion cu capace pentru a preveni uscarea celulelor.

1. Umpleți fiolele eșantion cu apă distilată sau demineralizată.
2. Puneți capacul și depozitați fiolele eșantion.
3. Ștergeți exteriorul fiolelor eșantion uscate cu o cârpă moale.

## 8.4 Înlocuiți bateria

### ⚠️ AVERTISMENT



Pericol de explozie. Bateriile expirate pot provoca acumulări de gaz hidrogen în interiorul instrumentului. Înlocuiți bateria înainte de a expira. Nu depozitați instrumentul perioade îndelungate cu bateria instalată.

### ⚠️ AVERTISMENT

Pericol potențial de incendiu. Utilizați numai baterii alcaline sau nichel hidrură metalică (NiMH) pentru aparatul de măsură. Alte tipuri de baterii sau instalarea incorectă pot provoca un incendiu. Nu amestecați niciodată mai multe tipuri de baterii în aparatul de măsură.

Pentru înlocuirea bateriei, consultați [Instalarea bateriei](#) de la pagina 233.

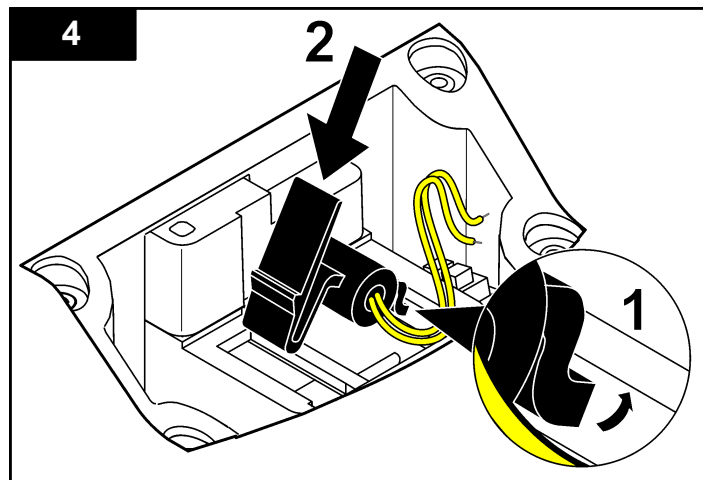
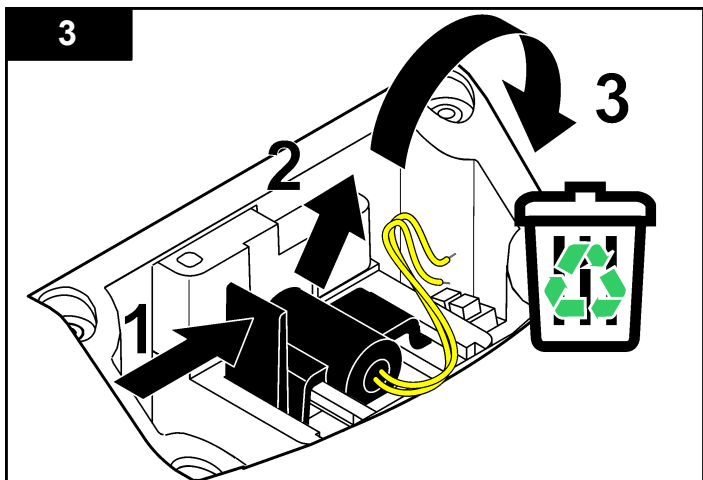
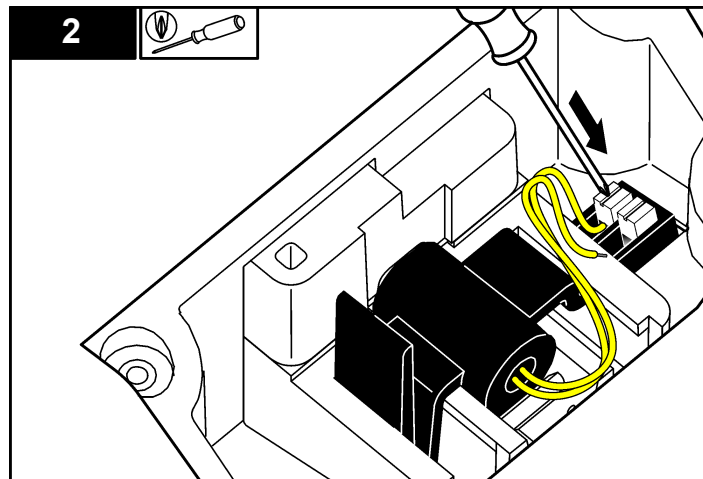
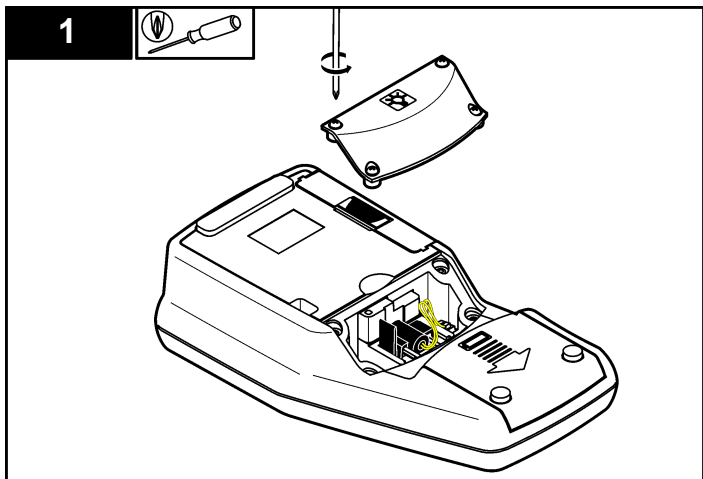
1. Îndepărtați capacul compartimentului pentru baterii.
2. Scoateți bateriile.
3. Instalați 4 baterii alcaline AA sau 4 baterii cu hidrură dublă de nichel-metal AA (NiMH). Asigurați-vă că bateriile sunt instalate în poziția corectă.
4. Înlocuiți capacul bateriei.

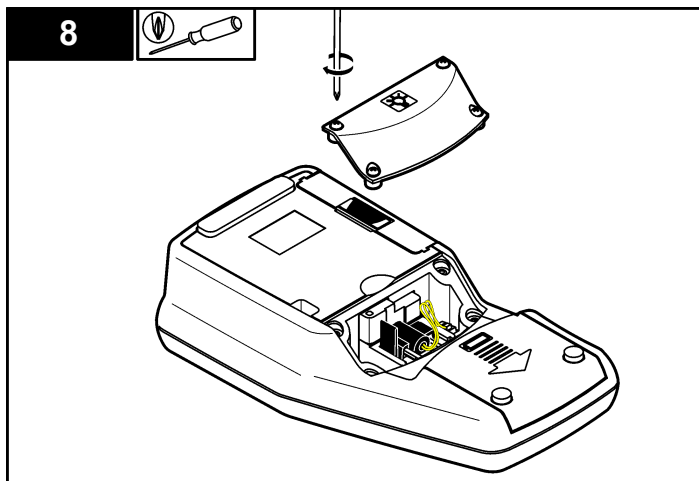
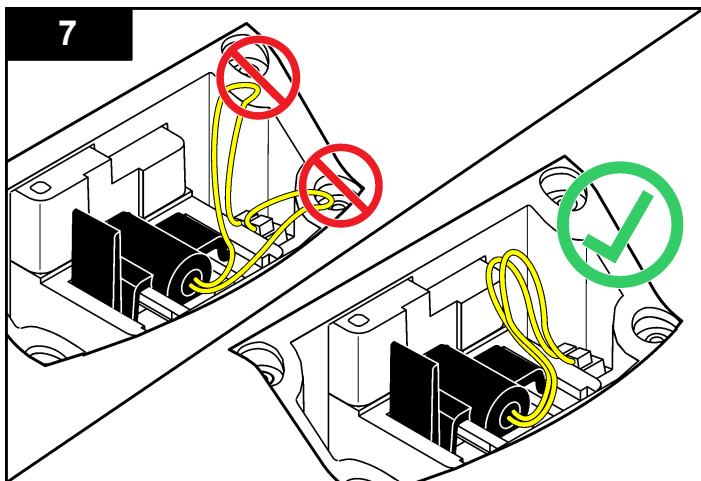
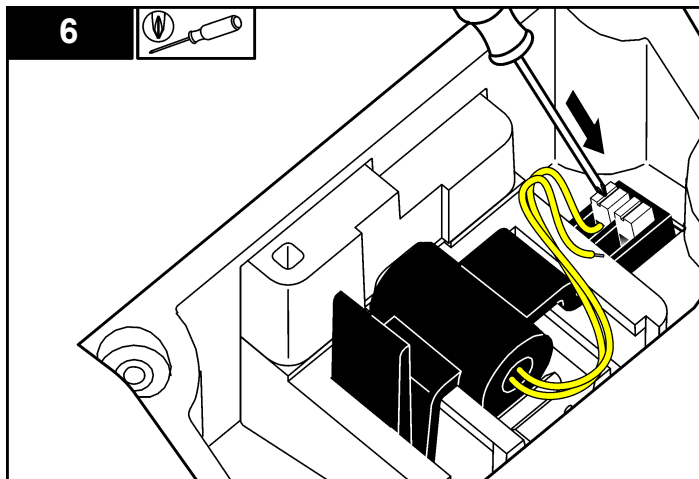
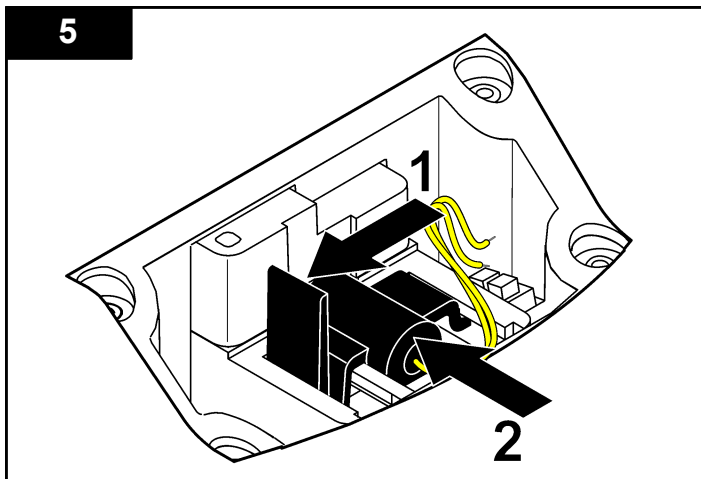
## 8.5 Înlocuiți lampa

### ⚠️ ATENȚIE

Risc de arsuri. Așteptați până când se răcește lampa. Contactul cu lampa fierbinte poate cauza arsuri.







## Secțiunea 9 Depanare

Consultați următorul tabel pentru mesaje referitoare la probleme sau simptome comune, cauze posibile și acțiuni de remediere.

Eroare/Avertisment	Descriere	Soluție
<b>Închideți capacul și apăsați Citire.</b>	Capacul este deschis sau detectarea capacului a eșuat.	Capacul trebuie să fie închis în timpul citirii și efectuați din nou citirea.
<b>Nivel redus baterie!</b>	Nivelul bateriei este redus.	<ul style="list-style-type: none"> <li>• Introduceți baterii noi</li> <li>• Conectați modulul USB/energie dacă sunt utilizate baterii reîncărcabile</li> </ul>
<b>Defecțiuni ADC!</b>	Eroare de hardware ce cauzează eșecul citirii.	Repețați citirea.
<b>Semnal detector prea slab!</b>	Lumină insuficientă pe detectorul 180°.	<ul style="list-style-type: none"> <li>• Verificați dacă nu este blocată calea luminii.</li> <li>• Verificați lampa.</li> </ul>
<b>Valoare peste limită!</b>	Turbiditate prea mare cauzată probabil doar prin calibrarea cu RapidCal.	<ul style="list-style-type: none"> <li>• Calibrați intervalul superior.</li> <li>• Diluați proba.</li> </ul>
<b>Valoare sub limită!</b>	Absorbția măsurată este sub intervalul de calibrare.	Repețați calibrarea

Eroare/Avertisment	Descriere	Soluție
<b>Verificați lampa!</b>	Semnalele sunt prea mici pe detectorul de 90° și 180°.	<p><b>2100Q:</b> Lampa este defectă. Schimbați lampa (consultați <a href="#">Înlocuiți lampa</a> de la pagina 240).</p> <p><b>2100Qis:</b> Contactați asistența tehnică.</p>
<b>Temperatură excesivă! Oprți instrumentul.</b>	Temperatura a depășit limitele turbidimetrului (>60 °C sau >140 °F).	Oprți turbidimetrul și lăsați-l să se răcească.
<b>RST: Valoare medie!</b>	Substanțele solide se decantează prea lent. Modul de citire nu este adecvat pentru acest eșantion.	Selectați modul de citire Normal sau Medie semnal.
<b>Nivelul de probabilitate este &lt; 95%</b>	Modul de citire Rapidly Settling Turbidity nu a atins intervalul de probabilitate ≥ 95%.	<ul style="list-style-type: none"> <li>• Inversați eșantionul de câteva ori astfel încât substanțele solide să se distribuie. Repetați citirea din nou.</li> <li>• Comutați la modul de citire Normal dacă eșantionul este stabil și nu conține substanțe solide decantate.</li> </ul>
<b>Valoare std. în afara intervalului. Introduceți std. și apăsați Citire</b>	Valoare incorectă standard utilizată pentru citire.	Introduceți standardul corespunzător și efectuați citirea din nou.

Eroare/Avertisment	Descriere	Soluție
<b>ID deja în utilizare. Introduceți un ID nou</b>	ID-ul operatorului sau ID-ul eșantionului nu este disponibil, deoarece este deja atribuit.	Creați un ID nou.
<b>Eroare - Securitate</b> <b>Setați parola înainte de activarea securității</b>	Nu este creată nicio parolă.	Creați o parolă nouă.
<b>Introduceți cel puțin un caracter.</b>	Parola trebuie să conțină cel puțin un caracter.	Creați o parolă alcătuită din cel puțin un caracter.
<b>Parolă incorectă. Încercați din nou.</b>	A fost introdusă o parolă incorectă.	Introduceți parola corectă.
<b>Deconectați cablul USB de la computer.</b>	Stocarea datelor nu răspunde în timp ce este conectat la turbidimetru și la computer.	Deconectați cablul USB de la turbidimetru și încercați să trimiteți datele din nou.
<b>Memorie modul USB plină. Ștergeți datele și încercați din nou.</b>	Capacitatea de stocare a datelor este plină.	<ol style="list-style-type: none"> <li>1. Conectați modulul USB/energie la computer.</li> <li>2. Descărcați datele stocate în computer.</li> <li>3. Ștergeți Jurnalul de date de pe modul.</li> </ol>

Eroare/Avertisment	Descriere	Soluție
<b>Ștergere ultima citire eșuată!</b>	Eroare la stocarea de date.	Opriiți și porniți turbidimetru. Dacă apar în continuare mesaje de eroare, contactați asistența tehnică.
<b>Ștergere jurnal de date eșuată!</b>		
<b>Nu se poate citi setul de date!</b>		
<b>Nu se pot stoca date!</b>		
<b>Nu se poate stoca în jurnalul de măsurători!</b>		
<b>Nu se poate stoca în jurnalul de verificări ale calibrării!</b>		
<b>Eroare stocare date!</b>		
<b>Eroare citire date!</b>		

## Оглавление

- |   |  |   |   |
|---|--|---|---|
| 1 | Характеристики на стр. 245                                   | 6 | Стандартная операция на стр. 253              |
| 2 | Общая информация на стр. 246                                 | 7 | Расширенные функции на стр. 254               |
| 3 | Монтаж на стр. 249   | 8 | Обслуживание на стр. 255                      |
| 4 | Пользовательский интерфейс и управление курсором на стр. 250 | 9 | Поиск и устранение неисправностей на стр. 260 |
| 5 | Запуск на стр. 252   |   |   |

## Раздел 1 Характеристики

Характеристики могут быть изменены без предварительного уведомления.

Характеристика	Подробная информация
Метод измерения	Определение мутности по соотношению первичного нефелометрического сигнала светорассеяния (90°) к сигналу пропускания.
Регулирующие стандарты	<b>2100Q:</b> соответствует методу EPA 180.1
Источник излучения	<b>2100Q:</b> лампа с вольфрамовой нитью <b>2100Qis:</b> Светоизлучающий диод (СИД)
Диапазон	0-1000 NTU (ЕМФ)
Погрешность	±2 % от измеряемого значения плюс светорассеяние от 1 до 1000 NTU (ЕМФ)
Воспроизводимость	±1 % от измеряемого значения или 0,01 NTU (ЕМФ), в зависимости от того, который больше
Разрешение	0,01 NTU в самом низком диапазоне

Характеристика	Подробная информация
Рассеянный свет	≤ 0,02 NTU (ЕМФ)
Усреднение сигнала	Можно включить либо выключить
Детектор	Кремниевый фотодиод
Категория устойчивости к перенапряжениям	II
Высота	Максимум 2000 м
Режимы измерения	"Нормальный" (нажмите "Измерить"), "С усреднением" или режим "Быстрое осаждение взвеси"
Параметры калибровки	Одношаговая калибровка RapidCal для обязательной отчетности при измерении низких значений от 0 до 40 NTU (ЕМФ) Полная калибровка от 0 до 1000 NTU (ЕМФ) Калибровка до уровней мутности
Журнал калибровок	Сохраняет данные последних 25 успешных калибровок
Журнал проверок	Сохраняет данные последних 250 успешных проверок
Журнал данных	500 записей

Характеристика	Подробная информация
Требования к питанию	Питание от батареи: максимум 6 В постоянного тока (4 NiMH 1,2 В батареи AA или 4 щелочные батареи 1,5 В AA) Внешний источник питания: 100–240 В переменного тока $\pm$ 10%; мощность 5 Вт (9 В постоянного тока, 600 мА максимум)
Условия эксплуатации	Температура: от 0 до 50 °C (от 32 до 122 °F) Относительная влажность от 0 до 90 % при температуре 30 °C, от 0 до 80 % при 40 °C, от 0 до 70 % при 50 °C, неконденсирующийся
Условия хранения	от –40 до 60 °C (от –40 до 140 °F), только приборное
Интерфейс	USB как опция
Необходимый объем образца	15 мл (0,5 унции)
Кюветы для проб	Круглые кюветы размером 60 x 25 мм (2.36 x 1 дюйм) боросиликатное стекло и колпачок с резьбой
Габариты	22.9 x 10.7 x 7.7 см (9.0 x 4.2 x 3.0 дюйма)
Масса	530 г (1.17 фунта) без батарей 620 г (1,37 фунта) с четырьмя щелочными батарейками AA
Уровень защиты корпуса	IP67 (с закрытой крышкой, без учета отсека для батареи и модульного отсека)
Класс защиты	2100Q/is: Класс III Блок питания, класс II
Класс загрязнения	2

Характеристика	Подробная информация
Условия окружающей среды	Использование в помещении и на улице
Сертификация	Сертификат соответствия CE
Гарантия	1 год (ЕС: 2 года)

## Раздел 2 Общая информация

Производитель ни при каких обстоятельствах не несет ответственности за прямой, не прямой, умышленный, неумышленный или косвенный ущерб в результате любых недочетов или ошибок, содержащихся в данном руководстве. Производитель оставляет за собой право вносить изменения в руководство или описанную в нем продукцию без изменений и обязательств. Обновленные версии руководства можно найти на веб-сайте производителя.

### 2.1 Информация по безопасности

Изготовитель не несет ответственности за любые повреждения, вызванные неправильным применением или использованием изделия, включая, без ограничения, прямой, неумышленный или косвенный ущерб, и снимает с себя ответственность за подобные повреждения в максимальной степени, допускаемой действующим законодательством. Пользователь несет исключительную ответственность за выявление критических рисков в работе и установку соответствующих механизмов для защиты обследуемой среды в ходе возможных неполадок оборудования.

Внимательно прочтите все руководство пользователя, прежде чем распаковывать, устанавливать или вводить в эксплуатацию оборудование. Соблюдайте все указания и предупреждения относительно безопасности. Их несоблюдение может привести к серьезной травме обслуживающего персонала или выходу из строя оборудования.




Чтобы гарантировать, что обеспечиваемая оборудованием защита не нарушена, не используйте или не устанавливайте данное оборудование никаким иным способом, кроме указанного в данном руководстве.

## 2.2 Информация о потенциальных опасностях

<b>▲ ОПАСНОСТЬ</b>
Указывает на потенциально или неизбежно опасные ситуации, которые, если их не избежать, приведут к смерти или серьезным травмам.
<b>▲ ПРЕДУПРЕЖДЕНИЕ</b>
Указывает на потенциально или неизбежно опасные ситуации, которые, если их не избежать, могут привести к смерти или серьезным травмам.
<b>▲ ОСТОРОЖНО</b>
Указывает на потенциально опасную ситуацию, которая может привести к травмам малой и средней тяжести.
<b>УВЕДОМЛЕНИЕ</b>
Указывает на ситуацию, которая, если ее не избежать, может привести к повреждению оборудования. Информация, на которую следует обратить особое внимание.

## 2.3 Предупредительные надписи

Прочитайте все наклейки и ярлыки на корпусе прибора. При несоблюдении указанных на них требований существует опасность получения травм и повреждений прибора. Нанесенный на корпус прибора предупредительный символ вместе с предостережением об опасности или осторожности содержится в руководстве пользователя.

	Это символ предупреждения об опасности. Для предотвращения возможной травмы соблюдайте все меры по технике безопасности, отображаемые с настоящим символом. Если символ на приборе, см. руководство по эксплуатации или информацию по технике безопасности.
	Этот символ указывает на опасность поражения электрическим током и/или на возможность получения смертельной электротравмы.
	Возможен запрет на утилизацию электрооборудования, отмеченного этим символом, в европейских домашних и общественных системах утилизации. Пользователь может бесплатно вернуть старое или неработающее оборудование производителю для утилизации.

## 2.4 Соответствие нормам и сертификация

<b>▲ ОСТОРОЖНО</b>
Данное оборудование не предназначено для использования в жилых помещениях и может не обеспечивать достаточную защиту радиоприема в таких условиях.

### Канадские нормативные требования к оборудованию, вызывающему помехи, ICES-003, класс А:

Прилагающиеся протоколы испытаний находятся у производителя. Данное цифровое устройство класса А отвечает всем требованиям канадских норм относительно вызывающего помехи оборудования. Cet appareil numérique de classe A répond à toutes les exigences de la réglementation canadienne sur les équipements provoquant des interférences.

### Правила FCC, часть 15, ограничения класса "А"

Прилагающиеся протоколы испытаний находятся у производителя. Данное устройство соответствует требованиям части 15 правил FCC. Эксплуатация может производиться при выполнении двух следующих условий:

1. Устройство не должно создавать опасные помехи.
2. Устройство должно допускать любое внешнее вмешательство, в том числе способное привести к выполнению нежелательной операции.

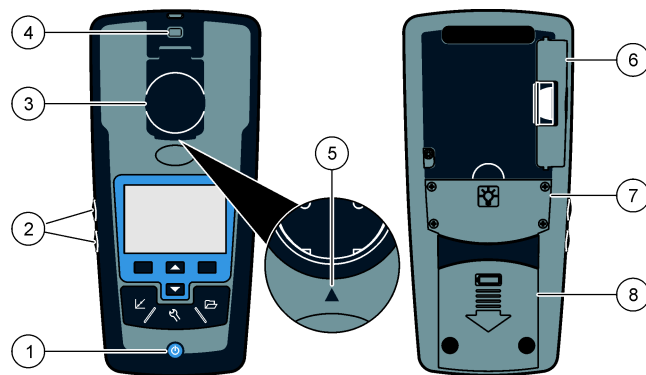
Изменения и модификации данного устройства без явного на то согласия стороны, ответственной за соответствие стандартам, могут привести к лишению пользователя прав на эксплуатацию данного устройства. Результаты испытаний данного устройства свидетельствуют о соответствии ограничениям для цифровых устройств класса "А", изложенным в части 15 правил FCC. Данные ограничения предназначены для обеспечения разумной защиты от вредных помех при работе оборудования в коммерческой среде. Данное устройство генерирует, использует и может излучать радиочастотную энергию, и в случае установки и использования вопреки требованиям руководства по эксплуатации может стать источником помех, опасных для устройств радиосвязи. Эксплуатация данного устройства в жилых районах может привести к возникновению опасных помех – в этом случае пользователь будет обязан устранить их за свой счет. Для сокращения помех можно использовать следующие методы:

1. Отсоедините устройство от источника питания, чтобы убедиться, что именно оно является источником помех.
2. Если устройство подключено к той же розетке, что и прибор, при работе которого наблюдаются помехи, подключите устройство к другой розетке.
3. Переместите устройство подальше от прибора, для работы которого он создает помехи.
4. Поменяйте положение антенны другого устройства, принимающего помехи.
5. Попробуйте разные сочетания указанных выше мер.

## 2.5 Основные сведения об изделии

Переносные турбидиметры 2100Q и 2100Q/s измеряют мутность в пределах от 0 до 1000 NTU (ЕМФ). Изначально созданный для применения в полевых условиях, турбидиметр работает от четырех батареек AA. Данные могут быть сохранены и переданы на принтер, компьютер или USB-накопитель.

**Рисунок 1 Основные сведения об изделии**



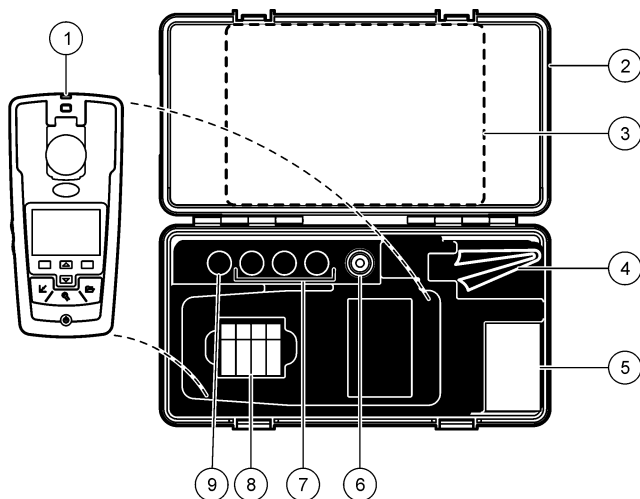
1 Кнопка включения/выключения	5 Ориентирующая метка
2 Кнопки подсветки (+ и -)	6 Модуль
3 Гнездо для пробной ячейки и его крышка	7 Ламповый отсек
4 Крепление для шнура	8 Аккумуляторный отсек

## 2.6 Комплектация изделия

См. [Рисунок 2](#), чтобы убедиться в наличии всех деталей. Если какие-либо из них отсутствуют или повреждены, немедленно обратитесь к производителю или торговому представителю.



Рисунок 2 Комплектация моделей 2100Q и 2100Qis



1 Турбидиметр модели 2100Q и 2100Qis	6 Силиконовое масло
2 Футляр для переноски	7 Калибровочные стандарты StabiCal 20, 100 и 800 NTU
3 Руководство пользователя и справочник быстрого поиска	8 Щелочные батарейки AA (4/упак.)
4 Салфетка для масла	9 Контрольный стандарт StabiCal 10 NTU
5 1" измерительная кювета (10 мл) с крышкой (рк/б)	

## Раздел 3 Монтаж

### ▲ ОСТОРОЖНО



Различные опасности. Работы, описываемые в данном разделе, должны выполняться только квалифицированным персоналом.

### 3.1 Установка батареи

#### ▲ ПРЕДУПРЕЖДЕНИЕ



Угроза взрыва. Батарея с истекшим сроком годности может привести к накоплению водорода в приборе. Заменить батарею до истечения срока годности. Не хранить прибор в течение длительного времени с установленной батареей.

#### ▲ ПРЕДУПРЕЖДЕНИЕ

Потенциальная опасность пожара. Используйте для данного прибора только щелочные или никель-металлогидридные аккумуляторные батареи (NiMH). Использование других видов батарей или их неправильная установка могут привести к пожару. В измеритель запрещено устанавливать батареи разных типов.

#### УВЕДОМЛЕНИЕ

Батарейный отсек не является водонепроницаемым. При отсыревании батарейного отсека удалите батарею и просушите ее и внутренность отсека. Убедитесь в отсутствии коррозии на контактах батарей и по необходимости почистите их.

#### УВЕДОМЛЕНИЕ

При использовании никель-металлогидридных аккумуляторных батарей (NiMH) значок батареи не будет показывать полный заряд, даже если батареи были только что заряжены (батареи NiMH имеют напряжение 1,2 В, тогда как щелочные - 1,5). Несмотря на то что значок не отображает полный заряд, батареи NiMH 2300 мА/ч позволят прибору работать 90 % времени до перезарядки в сравнении с щелочными батареями.

## УВЕДОМЛЕНИЕ

Чтобы избежать возможных повреждений из-за протекания батарей, перед длительным перерывом в работе батареи необходимо извлечь из измерителя.

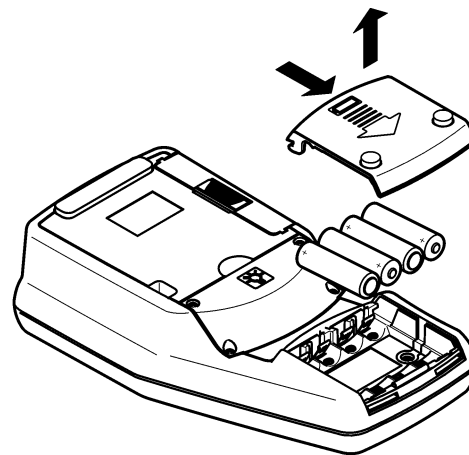
Измерительный прибор может работать от щелочных элементов размера AA или от перезаряжаемых батарей NiMH. Для экономии заряда батареи прибор автоматически отключается после 10 минут бездействия, при этом отключение подсветки происходит через 30 секунд. Данную настройку можно изменить в меню "Управление Питанием".

**Примечание:** Батареи можно перезарядить только с помощью модуля питания от сети с USB-выходом. Для получения дополнительной информации см. документацию модуля питания.

Для установки батареи см. [Рисунок 3](#).

1. Снимите крышку батарейного отсека.
2. Установите 4 щелочные батареи или никель-металлгидридные аккумуляторные батареи (NiMH) размера AA. При установке батарей соблюдайте полярность.
3. Закройте крышку батареи.

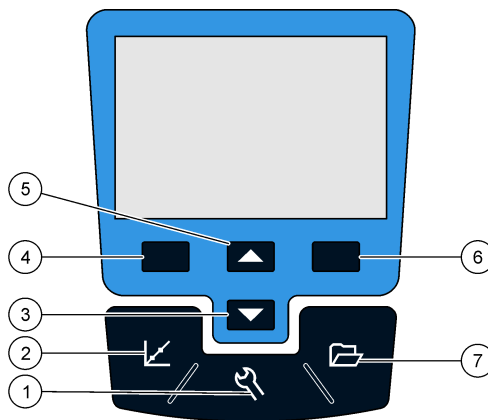
Рисунок 3 Установка батарей



## Раздел 4 Пользовательский интерфейс и управление курсором

## 4.1 Интерфейс пользователя

Рисунок 4 Описание клавиатуры



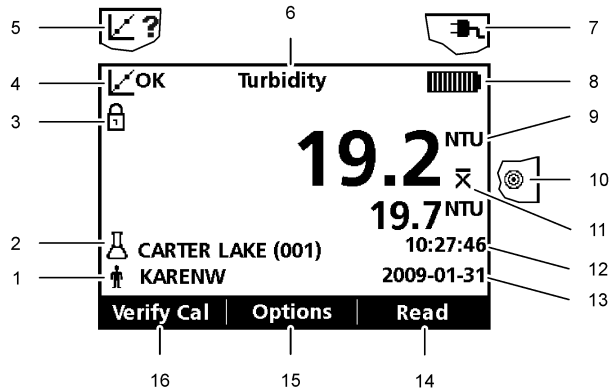
1 Кнопка <b>"НАСТРОЙКИ"</b> открывает доступ к меню для настройки прибора	5 Кнопка <b>"ВВЕРХ"</b> прокручивает опции меню и позволяет вводить цифры и буквы
2 Кнопка <b>"КАЛИБРОВКА"</b> отображает экран калибровки – позволяет начать калибровку и выбрать желаемую опцию калибровки	6 Кнопка <b>"ВПРАВО"</b> (контекстуальное значение): позволяет запустить измерение образцов турбидиметра, выбирает или подтверждает опции, открывает/переходит в подменю
3 Кнопка <b>"ВНИЗ"</b> прокручивает опции меню и позволяет вводить цифры и буквы	7 Кнопка <b>"УПРАВЛЕНИЕ ДАННЫМИ"</b> позволяет просмотреть, удалить или переместить сохраненные данные
4 Кнопка <b>"ВЛЕВО"</b> (контекстуальное значение): предоставляет доступ к проверке калибровки, отменяет действие или выходит из текущего меню в предыдущее	

## 4.2 Описание дисплея

На экране измерений отображается мутность, единицы измерения, состояние калибровки, дата и время, код оператора (если таковой

установлен) и код образца (если таковой установлен). См. [Рисунок 5](#).

Рисунок 5 Элементы дисплея



1 Код оператора	9 NTU (нефелометрическая единица мутности) или ЕМф (единица мутности по формазину)
2 Код образца	10 Режим измерения: "Быстро оседающая взвесь" (значок в виде мишени)
3 Индикатор стабильности или блокировки экрана	11 Режим измерения: "Усредняющий" (X-образный значок)
4 Показатель состояния калибровки ("Калибровка ОК" = выполнена)	12 Время
5 Показатель состояния калибровки ("Калибровка ?" = не удалась)	13 Дата
6 Название параметра	14 Кнопка "Измерить" (контекстуальное значение: "ОК", "Выбрать")
7 Значок мощности	15 Опции (контекстуальное значение)
8 Значок батареи	16 Проверка калибровки


### 4.3 Управление

В приборе предусмотрены меню: "Настройка", "Измерение", "Калибровка" и "Проверка калибровки", которые позволяют выбирать различные опции. Чтобы выделить нужную опцию, используйте кнопки "ВВЕРХ" и "ВНИЗ". Для выбора опции нажмите кнопку "ВПРАВО". Опции можно изменить двумя способами:

1. Выберите опцию из списка – для этого используйте кнопки "ВВЕРХ" и "ВНИЗ". Если на экране появляется несколько вариантов опций, выберите необходимые, отметив их флажками. Нажмите кнопку "ВЛЕВО" под надписью "Выбрать".  
*Примечание:* Чтобы отменить опцию, нажмите кнопку "ВЛЕВО" под надписью "Отменить".
2. Введите значение опции с помощью кнопок со стрелками. Чтобы ввести или изменить значение используйте кнопки "ВВЕРХ" и "ВНИЗ".
3. Нажмите кнопку "ВПРАВО", чтобы перейти к следующему блоку.
4. Нажмите кнопку "ВПРАВО" под надписью "ОК", чтобы подтвердить значение.

## Раздел 5 Запуск

### 5.1 Включите прибор, а затем выключите

 Нажмите кнопку "ВКЛЮЧИТЬ/ВЫКЛЮЧИТЬ" для включения или выключения прибора. Если прибор не включается, убедитесь, что батареи или модуль установлены правильно, либо проверьте подключение блока питания модуля к розетке.

*Примечание:* Для выключения прибора можно также использовать опцию "Автоматическое". Дополнительную информацию можно найти на сайте производителя.

## 5.2 Изменение языка

Есть три способа выбора языка:

- Язык экрана можно выбрать при первом включении прибора.
- Язык экрана можно выбрать после нажатия и удержания кнопки "включения/отключения питания".
- Язык можно изменить в меню "Настройки".

1. Выберите язык из списка. Подтвердите операцию нажатием кнопки **"ОК"**.
2. После завершения установки нажмите **"Готово"**.

## 5.3 Изменение даты и времени

Дата и время можно настроить в меню "Дата и время".

1. Нажмите кнопку **"НАСТРОЙКИ"** и выберите меню "Дата и время".
2. Установите время и дату:

Опция	Описание
<b>Формат</b>	Выберите один из форматов для даты и времени: гггг-мм-дд 24 ч гггг-мм-дд 12 ч дд-мм-гггг 24 ч дд-мм-гггг 12 ч мм/дд/гггг 24 ч мм/дд/гггг 12 ч
<b>Дата</b>	Введите текущую дату
<b>Время</b>	Введите текущее время

Текущие дата и время отобразятся на экране.

После настройки даты и времени прибор готов к снятию показаний.

## Раздел 6 Стандартная операция

### 6.1 Используйте код образца

Код образца используется для привязки результатов измерений к месту отбора образцов. После привязки последующие результаты измерений будут включать данный код. После закрепления хранимая информация будет содержать в себе данный код.

1. Выберите **код образца** в меню "Настройки".
2. Выберите, создайте или удалите код образца.

Опция	Описание
<b>Текущий код</b>	Выберите код из списка. Текущий код будет закреплен за образцом до тех пор, пока не будет выбран иной код.
<b>Создание нового кода образца</b>	Введите название для нового кода образца.
<b>Удаление кода образца</b>	Удалите существующий код образца.

### 6.2 Используйте код оператора

Код оператора используется для привязки результатов измерений к конкретному оператору. Все последующие результаты измерений будут включать данный код. Все хранимая информация будет содержать в себе данный код.

1. Выберите **код оператора** в меню "Настройки".
2. Выберите, создайте или удалите код оператора:

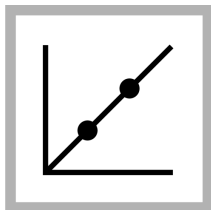
Опция	Описание
<b>Текущий код</b>	Выберите код из списка. Текущий код будет закреплен за образцом до тех пор, пока не будет выбран иной код.

Опция	Описание
Создание нового кода оператора	Введите имя для нового кода оператора (можно ввести не более 10 имен).
Удаление кода оператора	Удалите существующий код оператора.

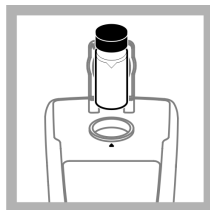
## Раздел 7 Расширенные функции

### 7.1 Калибровка мутномера с использованием эталонов StabiCal

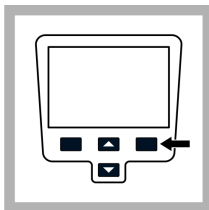
*Примечание:* Для наибольшей точности используйте для всех измерений во время калибровки либо одну и ту же кювету, либо четыре подобранных кюветы. Вставьте измерительную кювету в кюветное отделение прибора таким образом, чтобы ромбик (или ориентировочная метка) совпал с выступающей меткой указателя перед кюветным отделением.



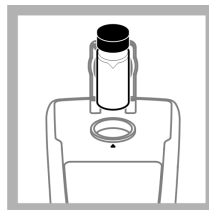
1. Нажмите кнопку "КАЛИБРОВКА", чтобы установить режим калибровки. Следуйте инструкциям на экране.  
*Примечание:* Осторожно переверните каждый стандарт перед помещением в ячейку.



2. Поместите стандарт StabiCal 20 NTU и закройте крышку.  
*Примечание:* Устанавливаемая кювета со стандартом имеет окантовку.

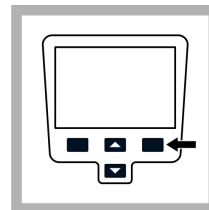


3. Нажмите кнопку **Измерение**. На экране высветится сообщение "Идет стабилизация", а затем будет отображен результат.

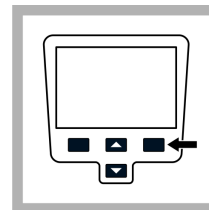


4. Повторите шаг 2 и 3 со стандартами StabiCal 100 и 800 NTU.

*Примечание:* Нажмите "Готово" для завершения трехточечной калибровки.



5. Нажмите "Готово", чтобы просмотреть информацию о калибровке.





6. Нажмите "Сохранить" для сохранения результатов. После завершения калибровки прибор автоматически переходит в режим "Проверка". Дополнительную информацию можно найти на сайте производителя.

### 7.2 Режимы измерения


1. Нажмите кнопку "ВВЕРХ" или "ВНИЗ" для входа в меню "Измерение".
2. Выберите меню "Режим измерения" для выбора одной из следующих опций:

Опция	Наименование
"Обычный" (стандартная настройка)	В обычном режиме показания снимаются три раза, за результат берется средний показатель. Результат отображается после снятия показаний.

Опция	Наименование
"Усредняющий" 	<p>"Усредняющий" режим компенсирует колебания результатов измерения вследствие движения частиц образца на пути света.</p> <p>При включении этого режима на экране появляется символ "X".</p> <p>В "Усредняющем" режиме измерение проводится 12 раз, при этом среднее значение начинает отображаться после первых трех измерений. За конечный результат принимает среднее значение всех 12 измерений.</p>

Опция	Наименование
<b>Быстрое оседание взвеси (БОВ)</b> 	<p>Режим БОВ вычисляет и постоянно обновляет данные о мутности образца с доверительной вероятностью до 95 %, основанной на совокупном тренде изменяющихся результатов измерений, произведенных в реальном времени.</p> <p>Режим БОВ наилучшим образом подходит для образцов с высокой скоростью оседания и постоянным изменением показаний. Для измерения нужен правильно подготовленный образец, который в начале измерения является однородным. Он лучше всего подходит для образцов мутностью более 20 NTU. Перед тем как вставить образец в турбидиметр, нужно хорошо взболтать его и перевернуть непосредственно перед установкой.</p> <p>Во время действия режима "Быстро Оседающей Взвеси" на экране появляется символ мишени.</p> <p>В режиме "Быстро Оседающей Взвеси" прежде чем появятся первые промежуточные результаты, выполняются пять измерений и производится расчет.</p>

## Раздел 8 Обслуживание

<b>▲ ОСТОРОЖНО</b>	
	Различные опасности. Работы, описываемые в данном разделе, должны выполняться только квалифицированным персоналом.

## 8.1 Чистка прибора

Прибор разработан таким образом, что для нормального функционирования ему не требуется специальный уход или регулярная чистка. По мере необходимости можно очищать прибор снаружи.

**Примечание:** Во избежание повреждений поверхности не применяйте для очистки растворители.

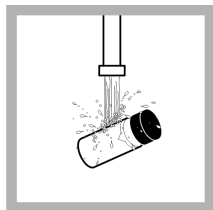
1. Протирайте прибор чистой сухой или немного влажной салфеткой. Для удаления жирных пятен можно использовать слабый мыльный раствор.

## 8.2 Нанесите силиконовое масло на измерительную кювету

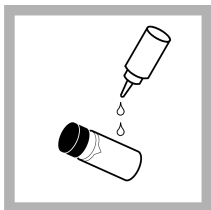
Измерительные кюветы и их крышки должны быть абсолютно чистыми, кроме того на них не должно быть видимых царапин. Нанесите тонкий слой силиконового масла на наружную поверхность кювет, чтобы скрыть все незначительные дефекты и царапины, которые могут повлиять на рассеивание света.



**Примечание:** Используйте только силиконовое масло, которое идет в комплекте. Показатель преломления данного силиконового масла такой же как у стекла измерительной кюветы.



1. Для очистки кювет и крышек снаружи и внутри используйте лабораторное моющее средство для стекла. Затем несколько раз ополосните дистиллированной или деминерализованной водой.



2. Распределите небольшую каплю силиконового масла по всей поверхности кюветы.



3. Для равномерного распределения масла используйте салфетку, входящую в комплект. Удалите излишек таким образом, чтобы остался только тонкий слой масла. Убедитесь, что на измерительной кювете незначительные или вовсе отсутствуют видимые следы масла.

**Примечание:** Во избежание загрязнения храните салфетку для масла в специальном пластиковом пакете.

### 8.3 Хранение измерительных кювет

#### УВЕДОМЛЕНИЕ

Не сушите ячейки для проб воздушной сушкой.

**Примечание:** Во избежание высыхания ячейки для проб при хранении должны быть закрыты крышками.

1. Наполните измерительные кюветы дистиллированной или деминерализованной водой.
2. Храните кюветы, плотно закрытые крышкой.
3. Протирайте измерительные кюветы изнутри сухой мягкой тканью.

### 8.4 Замена батареи

#### ▲ ПРЕДУПРЕЖДЕНИЕ



Угроза взрыва. Батарея с истекшим сроком годности может привести к накоплению водорода в приборе. Заменить батарею до истечения срока годности. Не хранить прибор в течение длительного времени с установленной батареей.

#### ▲ ПРЕДУПРЕЖДЕНИЕ

Потенциальная опасность пожара. Используйте для данного прибора только щелочные или никель-металлогидридные аккумуляторные батареи (NiMH). Использование других видов батарей или их неправильная установка могут привести к пожару. В измеритель запрещается устанавливать батареи разных типов.

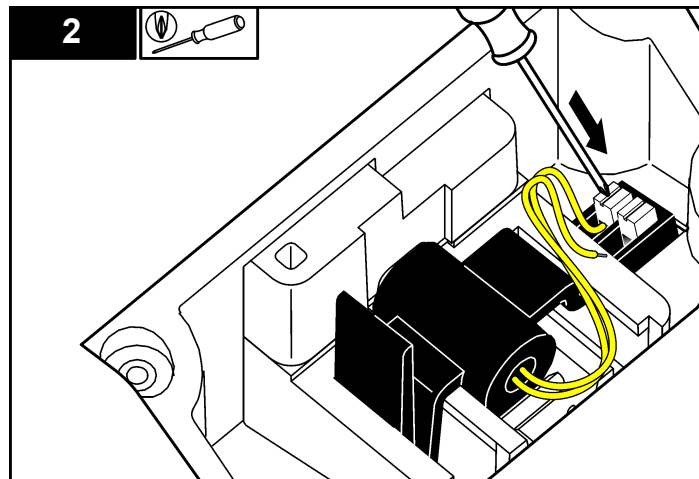
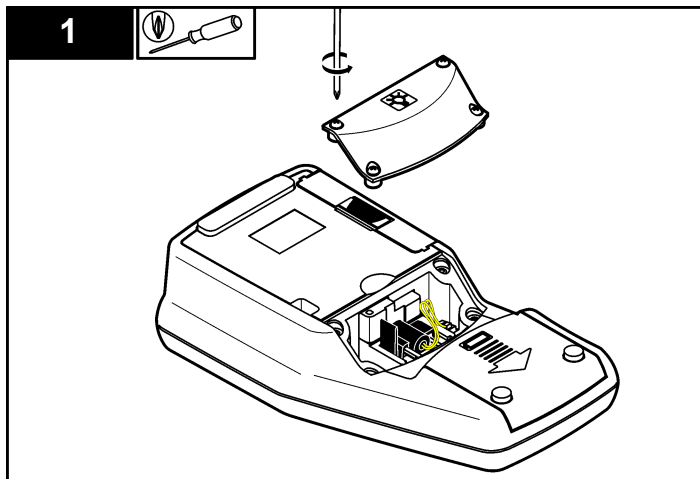
Для замены батареи см. [Установка батареи](#) на стр. 249.

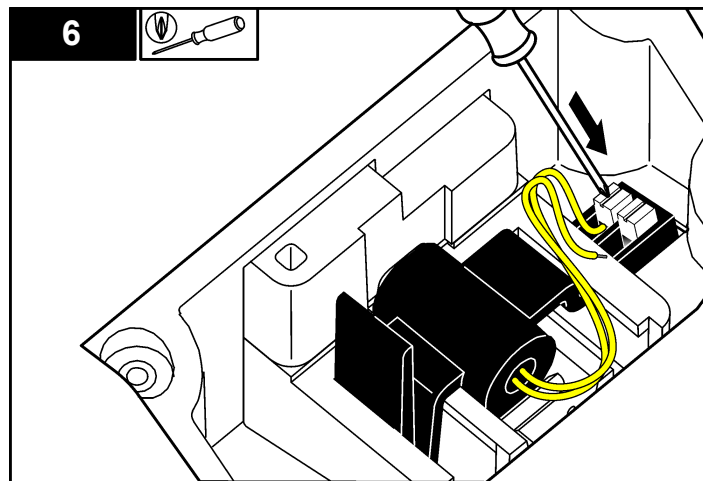
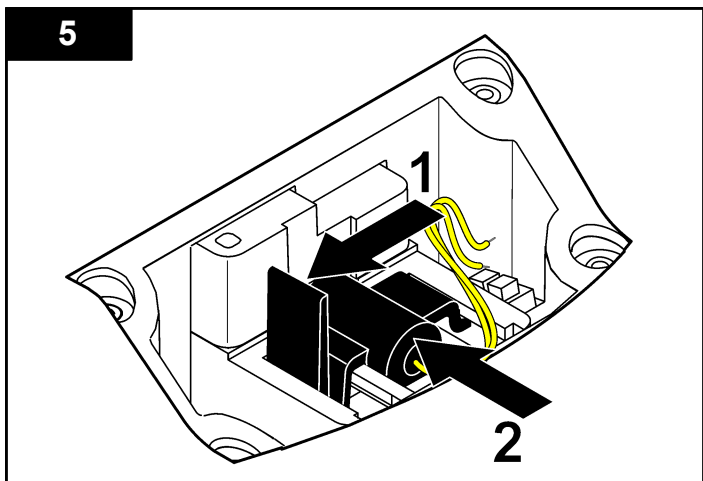
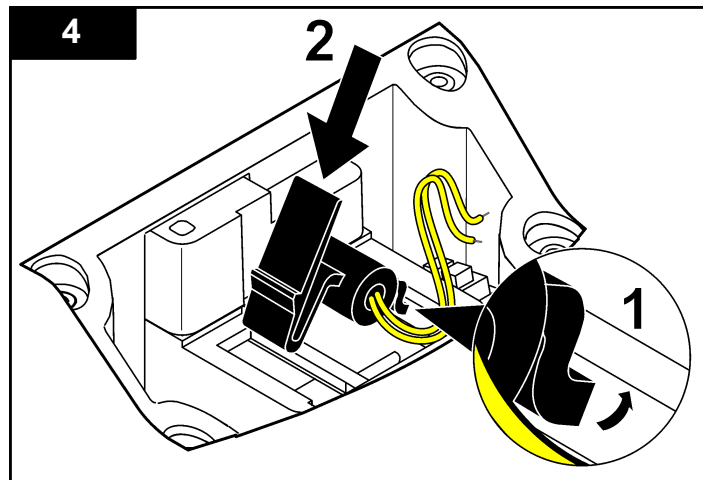
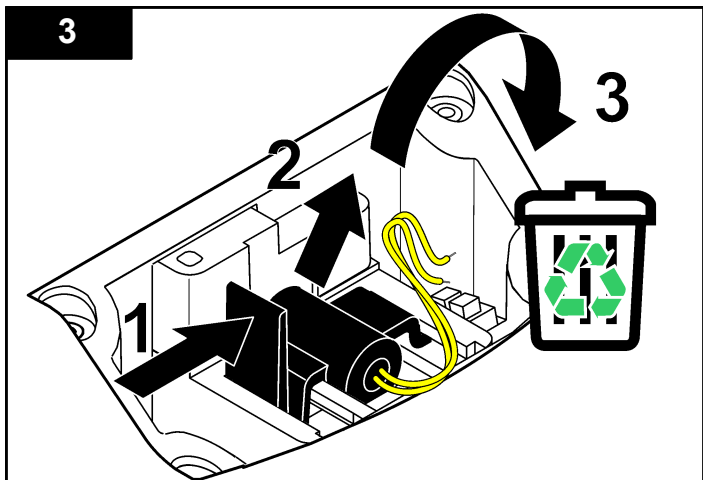
1. Снимите крышку батарейного отсека.
2. Удалите батареи.
3. Установите 4 щелочные батареи или никель-металлогидридные аккумуляторные батареи (NiMH) размера AA. При установке батарей соблюдайте полярность.
4. Закройте крышку батареи.

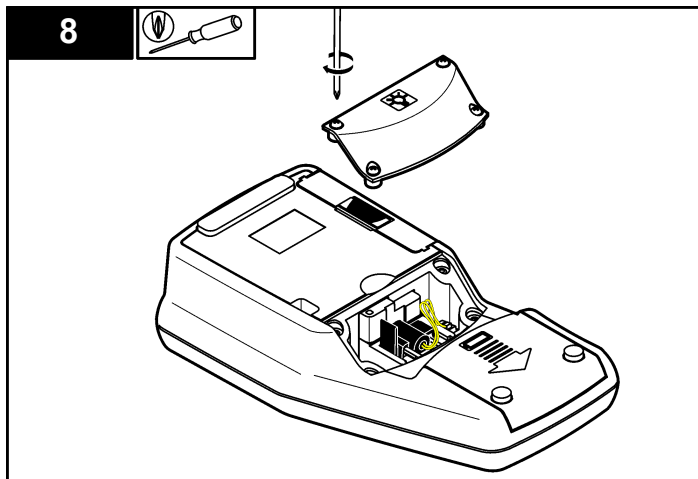
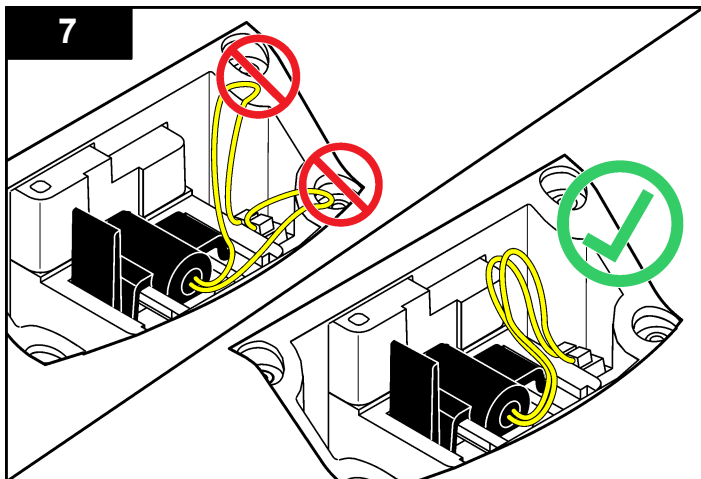
## 8.5 Замена лампочки

### ⚠ ОСТОРОЖНО

Опасность ожога. Дождитесь остывания лампы. Контакт с горячей лампой может привести к ожогам.







## Раздел 9 Поиск и устранение неисправностей

В данной таблице перечислены наиболее распространенные сообщения о неполадках и их характерные признаки, а также возможные причины и необходимые действия для устранения.

Ошибка/Предупреждение	Описание	Решение
Закройте крышку и нажмите "Измерить".	Крышка открыта или неисправность датчика закрытия крышки.	Убедитесь, что во время измерения крышка закрыта и повторите измерение.

Ошибка/Предупреждение	Описание	Решение
<b>Аккумуляторная батарея разряжена!</b>	Батарея разряжена.	<ul style="list-style-type: none"> <li>Вставьте новые батареи</li> <li>Если используются перезаряжаемые батареи, подсоедините модуль питания от сети с USB-выходом</li> </ul>
<b>Ошибка АЦП!</b>	Ошибка аппаратных средств, из-за которой не удалось произвести измерение.	Повторить измерение.
<b>Слишком слабый сигнал детектора!</b>	Недостаточно света на детекторе 180°.	<ul style="list-style-type: none"> <li>Проверьте, нет ли препятствия для прохождения света.</li> <li>Проверьте лампу.</li> </ul>
<b>Выход за пределы диапазона!</b>	Слишком высокая мутность, возможно вызванная калибровкой только с помощью RapidCal.	<ul style="list-style-type: none"> <li>Проведите калибровку в верхнем диапазоне.</li> <li>Разбавьте образец.</li> </ul>
<b>Слишком низкий уровень!</b>	Коэффициент поглощения ниже уровня калибровки.	Повторить калибровку

Ошибка/Предупреждение	Описание	Решение
<b>Проверьте лампу!</b>	Слишком слабый сигнал на детекторах 90 ° и 180 °.	<p><b>2100Q:</b> Лампа повреждена. Замените лампу (см. <a href="#">Замена лампочки</a> на стр. 258).</p> <p><b>2100Qis:</b> Обратитесь в службу техподдержки.</p>
<b>Слишком высокая температура! Выключите прибор.</b>	Температура вышла за допустимые для прибора пределы (>60°C или >140 °F).	Выключите прибор и дайте ему остыть.
<b>БОВ: Среднее значение!</b>	Частицы оседают слишком медленно. Режим измерения не подходит для данного образца.	Выберите "Обычный" или "Усредняющий" режим.
<b>Уровень доверительной вероятности &lt; 95 %</b>	В режиме "Быстрого осаждения взвеси" не был достигнут уровень доверительной вероятности $\geq 95\%$ .	<ul style="list-style-type: none"> <li>Переверните образец несколько раз для рассредоточения твердых тел. Повторите измерение.</li> <li>Если образец однородный, и в нем не содержатся твердые тела, переключитесь в режим "Обычный".</li> </ul>

Ошибка/Предупреждение	Описание	Решение
<b>Значение стандарта находится вне допустимого диапазона. Вставьте стандарт и нажмите "Измерить"</b>	Для измерения был использован ненадлежащий стандарт.	Вставьте подходящий стандарт и проведите измерение снова.
<b>Данный код уже используется. Введите новый код</b>	Код оператора или образца недоступен, так как уже используется.	Создайте новый код.
<b>Ошибка системы безопасности. Прежде чем активировать систему безопасности, установите пароль</b>	Пароль не установлен.	Создайте новый пароль.
<b>Введите хотя бы один символ.</b>	Пароль должен состоять как минимум из одного символа.	Установите пароль как минимум из одного символа.
<b>Неверный пароль. Повторите попытку.</b>	Был введен неверный пароль.	Введите верный пароль.
<b>Отсоедините от компьютера USB-кабель.</b>	Устройство для хранения данных не отвечает при подключении к прибору и компьютеру.	Отсоедините USB-кабель от прибора и попытайтесь отправить данные снова.

Ошибка/Предупреждение	Описание	Решение
<b>Память USB-накопителя переполнена. Удалите данные и повторите попытку.</b>	Память устройства для хранения данных переполнена.	<ol style="list-style-type: none"> <li>1. Подключите к компьютеру модуль питания от сети с USB-выходом.</li> <li>2. Загрузите данные в компьютер.</li> <li>3. Удалите журнал данных из модуля.</li> </ol>

Ошибка/Предупреждение	Описание	Решение
<b>Не удалось удалить результаты последнего измерения!</b>	Ошибка устройства для хранения данных.	Выключите прибор, а затем снова включите его. Если сообщение об ошибке не исчезает, обратитесь в службу техподдержки.
<b>Не удалось удалить журнал данных!</b>		
<b>Невозможно прочитать набор данных!</b>		
<b>Невозможно сохранить данные!</b>		
<b>Невозможно сохранить в журнал результатов измерений!</b>		
<b>Невозможно сохранить в журнал проверки калибровки!</b>		
<b>Ошибка сохранения данных!</b>		
<b>Ошибка чтения данных!</b>		

## İçindekiler

- 1 Teknik özellikler sayfa 264
- 2 Genel bilgiler sayfa 265
- 3 Kurulum sayfa 268
- 4 Kullanıcı arayüzü ve gezinme sayfa 269
- 5 Başlatma sayfa 270
- 6 Standart çalıştırma sayfa 271
- 7 Gelişmiş çalıştırma sayfa 271
- 8 Bakım sayfa 273
- 9 Sorun giderme sayfa 277

## Bölüm 1 Teknik özellikler

Teknik özellikler önceden bildirilmeksizin değiştirilebilir.

Teknik Özellik	Ayrıntılar
Ölçüm metodu	İletilen ışık dağıtma sinyaline birincil nefelometrik ışık dağıtma sinyali (90°) kullanarak oransal bulanıklık ölçümü belirlenmesi.
Mevzuat	<b>2100Q:</b> EPA Yöntem 180.1'in gereklerini karşılamaktadır
Lamba kaynağı	<b>2100Q:</b> Tungsten filamentli lamba <b>2100Qis:</b> Işık yayan diyet (LED)
Aralık	0–1000 NTU (FNU)
Doğruluk	0–1000 NTU (FNU) arası okumanın $\pm 2\%$ 'si, artı kaçak ışık
Tekrarlanabilirlik	okumanın $\pm 1\%$ 'i ya da 0,01 NTU (FNU), hangisi büyükse
Çözüm	en düşük aralıkta 0,01 NTU
Kaçak ışık	$\leq 0,02$ NTU (FNU)
Sinyal ortalama	Açık ya da kapalı olarak seçilebilir
Dedektör	Silikon Fotodiyot

Teknik Özellik	Ayrıntılar
Aşırı gerilim kategorisi	II
Yükseklik	Maksimum 2000 m (6562 fit)
Okuma modları	Normal (Okumak için Basın), Sinyal Ortalama ya da Rapidly Settling Turbidity
Kalibrasyon seçenekleri	0–40 NTU (FNU) arası Düşük Seviyeli Yasal Raporlama için tek aşamalı RapidCal 0–1000 NTU (FNU) arası tam aralık kalibrasyonu Bulanıklık derecesine göre kalibrasyon
Kalibrasyon kaydedici	Son 25 başarılı kalibrasyonu kaydeder
Onaylama kaydedici	Son 250 başarılı onaylamayı kaydeder
Veri kaydedici	500 kayıt
Güç gereksinimi	Pille çalışır: maksimum 6 VDC (4 NiMH 1,2 V AA pil veya 4 alkalın 1,5 V AA pil) Harici güç kaynağı: 100–240 VAC $\pm 10\%$ ; çıkış 5 W (9 VDC, maksimum 600 mA)
Çalıştırma koşulları	Sıcaklık: 0 ila 50°C (32 ila 122°F) Göreceli Nem: 30 °C'de %0–90, 40 °C'de %0–80, 50 °C'de %0–70, yoğunlaşmayan
Saklama koşulları	–40 - 60 °C (–40 - 140 °F), yalnızca cihaz
Arabirim	İsteğe bağlı USB
Gereken numune	15 mL (0,5 oz.)
Numune hücreleri	Yuvarlak hücreler 60 x 25 mm (2.36 x 1 inç) vidalı kapaklı borosilikat cam



Teknik Özellik	Ayrıntılar
Boyutlar	22.9 x 10.7 x 7.7 cm (9.0 x 4.2 x 3.0 inç)
Ağırlık	Pilsiz 530 g (1.17 lb) Dört AA alkalin pille 620 g (1,37 lb)
Cihaz muhafaza sınıfı	IP67 (kapalı kapak, pil ve modül bölmesi hariç)
Koruma sınıfı	2100Q/is: Sınıf III Güç beslemesi: Sınıf II
Kirlilik derecesi	2
Ortam koşulları	İç ve dış mekan kullanımı
Belgelendirme	CE sertifikalı
Garanti	1 yıl (AB: 2 yıl)

## Bölüm 2 Genel bilgiler

Hiçbir durumda üretici, bu kılavuzdaki herhangi bir hata ya da eksiklikten kaynaklanan doğrudan, dolaylı, özel, tesadüfi ya da sonuçta meydana gelen hasarlardan sorumlu olmayacaktır. Üretici, bu kılavuzda ve açıkladığı ürünlerde, önceden haber vermeden ya da herhangi bir zorunluluğa sahip olmadan değişiklik yapma hakkını saklı tutmaktadır. Güncellenmiş basımlara, üreticinin web sitesinden ulaşılabilir.

### 2.1 Güvenlik bilgileri

Üretici, doğrudan, arıza ve sonuç olarak ortaya çıkan zararlar dahil olacak ancak bunlarla sınırlı olmayacak şekilde bu ürünün hatalı uygulanması veya kullanılmasından kaynaklanan hiçbir zarardan sorumlu değildir ve yürürlükteki yasaların izin verdiği ölçüde bu tür zararları reddeder. Kritik uygulama risklerini tanımlamak ve olası bir cihaz arızasında prosesleri koruyabilmek için uygun mekanizmaların bulunmasını sağlamak yalnızca kullanıcının sorumluluğundadır.

Bu cihazı paketinden çıkarmadan, kurmadan veya çalıştırmadan önce lütfen bu kılavuzun tümünü okuyun. Tehlikeler ve uyarılarla ilgili tüm

ifadeleri dikkate alın. Aksi halde, kullanıcının ciddi şekilde yaralanması ya da ekipmanın hasar görmesi söz konusu olabilir.

Bu cihazın korumasının bozulmadığından emin olun. Cihazı bu kılavuzda belirtilenden başka bir şekilde kullanmayın veya kurmayın.

### 2.2 Tehlikeyle ilgili bilgilerin kullanılması

#### ⚠ TEHLİKE

Kaçınılmadığı takdirde ölüm veya ciddi yaralanmaya yol açabilecek potansiyel veya tehdit oluşturacak tehlikeli bir durumu belirtir.

#### ⚠ UYARI

Kaçınılmadığı takdirde ölüm veya ciddi yaralanmaya yol açabilecek potansiyel veya tehdit oluşturabilecek tehlikeli bir durumu belirtir.

#### ⚠ DİKKAT




Küçük veya orta derecede yaralanmalarla sonuçlanabilecek potansiyel bir tehlikeli durumu gösterir.

#### BİLGİ

Engellenmediği takdirde cihazda hasara neden olabilecek bir durumu belirtir. Özel olarak vurgulanması gereken bilgiler.

### 2.3 Önlem etiketleri

Cihazın üzerindeki tüm etiketleri okuyun. Talimatlara uyulmadığı takdirde yaralanma ya da cihazda hasar meydana gelebilir. Cihaz üzerindeki bir sembol, kılavuzda bir önlem ibaresiyle belirtilir.

	Bu, güvenlik uyarı sembolüdür. Olası yaralanmaları önlemek için bu sembolü izleyen tüm güvenlik mesajlarına uyun. Cihaz üzerinde mevcutsa çalıştırma veya güvenlik bilgileri için kullanım kılavuzuna başvurun.
	Bu sembol elektrik çarpması ve/veya elektrik çarpması sonucu ölüm riskinin bulunduğunu gösterir.
	Bu sembolü taşıyan elektrikli cihazlar, Avrupa evsel ya da kamu atık toplama sistemlerine atılamaz. Eski veya kullanım ömrünü doldurmuş cihazları, kullanıcı tarafından ücret ödenmesine gerek olmadan atılması için üreticiye iade edin.

## 2.4 Uyumluluk ve sertifika

### ⚠ DİKKAT

Bu ekipman, mesken ortamlarda kullanım için tasarlanmamıştır ve bu tür ortamlarda radyo sinyaline karşı yeterli koruma sağlamayabilir.

### Kanada Radyo Girişimine Neden Olan Cihaz Yönetmeliği, ICES-003, A Sınıfı:

Destekleyen test kayıtları, üreticide bulunmaktadır.

Bu A Sınıfı dijital cihaz, Kanada Parazite Neden Olan Cihaz Yönetmeliğinin tüm şartlarını karşılamaktadır.

Cet appareil numérique de classe A répond à toutes les exigences de la réglementation canadienne sur les équipements provoquant des interférences.

### FCC PART 15, "A" Sınıfı Limitleri

Destekleyen test kayıtları, üreticide bulunmaktadır. Bu cihaz, FCC Kurallarının 15. bölümüne uygundur. Çalıştırma için aşağıdaki koşullar geçerlidir:

1. Cihaz, zararlı girişime neden olmaz.
2. Bu cihaz, istenmeyen işleyişe yol açabilecek parazit de dahil olmak üzere, alınan her türlü paraziti kabul edecektir.

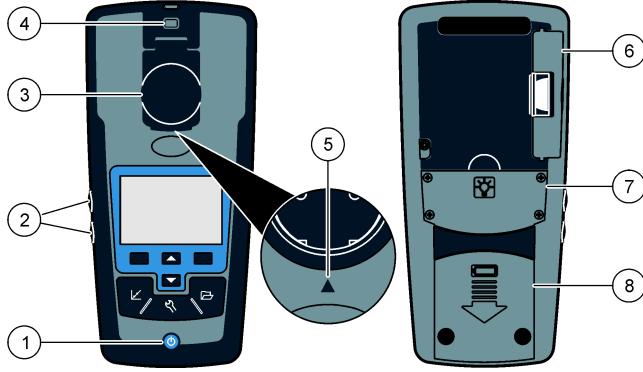
Bu cihaz üzerinde, uyumluluktan sorumlu tarafın açıkça onaylamadığı her türlü değişiklik, kullanıcının cihazı çalıştırma yetkisini geçersiz kılacaktır. Bu cihaz, test edilmiş ve FCC kuralları, Bölüm 15 uyarınca A Sınıfı bir dijital cihaz limitlerini karşıladığı tespit edilmiştir. Bu limitler, ekipmanın bir işyeri ortamında çalıştırılması durumunda zararlı parazitlere karşı uygun koruma sağlayacak şekilde tasarlanmıştır. Bu cihaz, telsiz frekansı enerjisi üretir, kullanır ve yayabilir ve kullanım kılavuzuna uygun olarak kurulmazsa ve kullanılmazsa telsiz iletişimlerine zararlı parazitlere neden olabilir. Bu cihazın bir konut alanında kullanılması zararlı parazitlere neden olabilir. Böyle bir durumda kullanıcının masrafları kendisine ait olmak üzere bu parazitleri düzeltmesi gerekecektir. Parazit sorunlarını azaltmak için aşağıdaki teknikler kullanılabilir:

1. Parazitin kaynağı olup olmadığını öğrenmek için bu ekipmanın güç kaynağı bağlantısını kesin.
2. Eğer cihaz, parazit sorunu yaşayan cihazla aynı prize bağlıysa, cihazı farklı bir prize takın.
3. Cihazı parazit alan cihazdan uzaklaştırın.
4. Cihazın parazite neden olduğu cihazın alıcı antenini başka bir yere taşıyın.
5. Yukarıda sıralanan önlemleri birlikte uygulamayı deneyin.

## 2.5 Ürüne genel bakış

2100Q ve 2100Q/s taşınabilir bulanıklık ölçüm cihazları, 0 - 1000 NTU (FNU) arası bulanıklıkları ölçebilmektedir. Daha çok sahada kullanım için tasarlanmış olan taşınabilir cihaz, dört AA pille çalışmaktadır. Veriler kaydedilebilir ve yazıcıya, bilgisayara ya da USB depolama cihazına aktarılabilir.

Şekil 1 Ürüne genel bakış

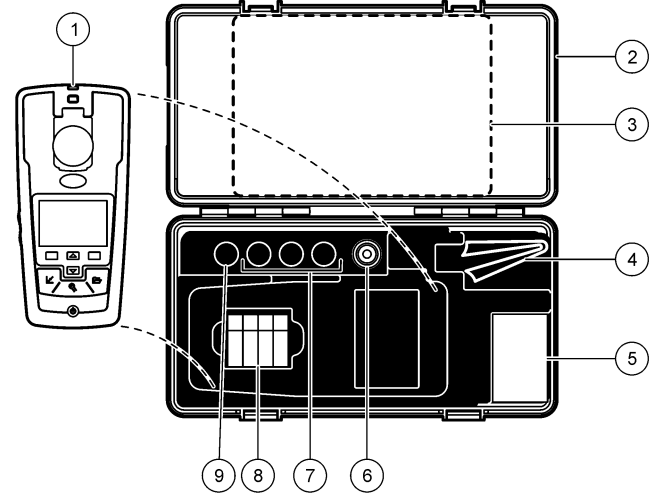


1 Güç açma veya kapama	5 Hizalama oku
2 Arkadan aydınlatma tuşları (+ ve -)	6 Modül
3 Kapaklı numune hücresi tutucu	7 Lamba bölmesi
4 Askı için bağlantı	8 PİL bölmesi

## 2.6 Ürünün bileşenleri

Tüm bileşenlerin olduğundan emin olmak için bkz. Şekil 2. Eğer herhangi bir öge eksikse veya hasar görmüşse, hemen üretici ya da bir satış temsilcisi ile iletişime geçin.

Şekil 2 2100Q ve 2100Q'is 'nin parçaları



1 2100Q ya da 2100Q'is türbidimetre	6 Silikon yağı
2 Taşıma çantası	7 20, 100 ve 800 NTU StabCal kalibrasyon standartları
3 Kullanıcı kılavuzu ve Hızlı başvuru kılavuzu	8 AA alkalın piller (4'lü paket)
4 Yağlama bezi	9 StabCal 10 NTU doğrulama standardı
5 Kapaklı 1" numune hücresi (10 mL) (6'lı paket)	

## Bölüm 3 Kurulum

### ⚠ DİKKAT



Birden fazla tehlike. Belgenin bu bölümünde açıklanan görevleri yalnızca yetkil personel gerçekleştirmelidir.

### 3.1 Pili takma

### ⚠ UYARI



Patlama tehlikesi. Kullanım süresi dolan piller cihazın içinde hidrojen gazının birikmesine neden olabilir. Bu durumdaki pilleri kullanım süresi dolmadan önce cihazdan çıkarın. Cihazı içinde pil takılı haldeyken uzun süre muhafaza etmeyin.

### ⚠ UYARI

Yangın tehlikesi olasılığı. Cihazda yalnızca alkalin ya da nikel metal hidrit piller (NiMH) kullanın. Diğer pil türleri ya da yanlış takma yangına neden olabilir. Cihazda asla farklı pil türlerini birlikte kullanmayın.

### BİLGİ

Pil bölmesi su geçirmez değildir. Pil bölmesinin ıslanması halinde, pilleri çıkarıp pilleri ve bölmenin iç kısmını kurulayın. Pil temas noktalarında paslanma olup olmadığını kontrol edin ve varsa temizleyin.

### BİLGİ

Nikel metal hidrit (NiMH) piller kullanırken, tam şarjlı piller takıldıktan sonra pil simgesinde tam şarj gösterilmez (NiMH piller 1,2 V iken alkalin piller 1,5 V'tur). Simge tam şarj göstermese bile 2300 mA H NiMH piller, yeni alkalin pillere göre çalışma süresinin %90'ını karşılar (tekrar şarj edilmeden önce).

### BİLGİ

Pil sızıntısından dolayı cihazın zarar görmesini önlemek için uzun süre kullanılmıyacaksa cihazdaki pilleri çıkartın.

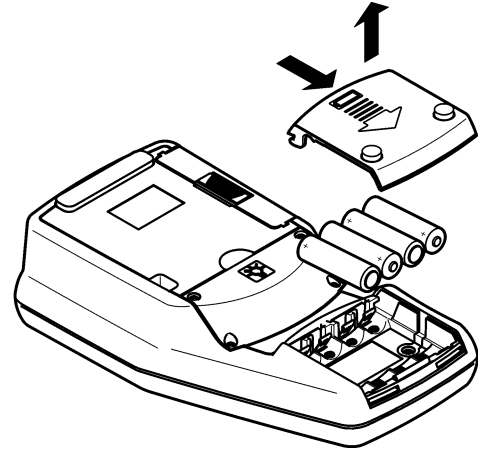
Cihaz, AA alkalin ya da şarj edilebilir NiMH pillerle çalışabilir. Pil ömründen tasarruf etmek için 10 dakika kullanılmadığında cihaz, 30 saniye kullanılmadığında arka ışık kapanır. Bu süre Güç Yönetimi menüsünden değiştirilebilir.

**Not:** Şarj edilebilir piller yalnızca USB/Güç modülü ile şarj edilebilir. Daha fazla bilgi için modülün belgelerine bakın.

Pillerin takılmasıyla ilgili bilgi için bkz Şekil 3.

1. Pil kapağını çıkarın.
2. 4 AA alkalin ya da 4 AA nikel metal hidrit (NiMH) pil takın. Pillerin doğru yönlerde takıldığından emin olun.
3. Pil kapağını takın.

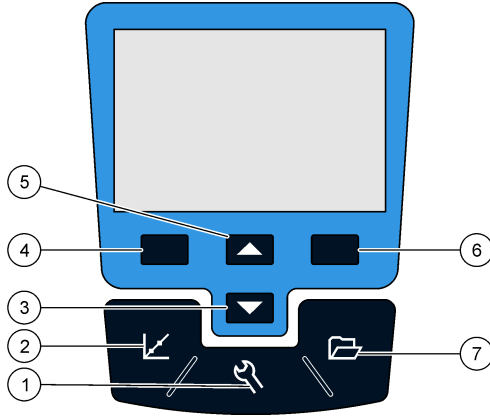
Şekil 3 Pilin takılması



## Bölüm 4 Kullanıcı arayüzü ve gezinme

### 4.1 Kullanıcı arayüzü

Şekil 4 Tuş takımının tanımı

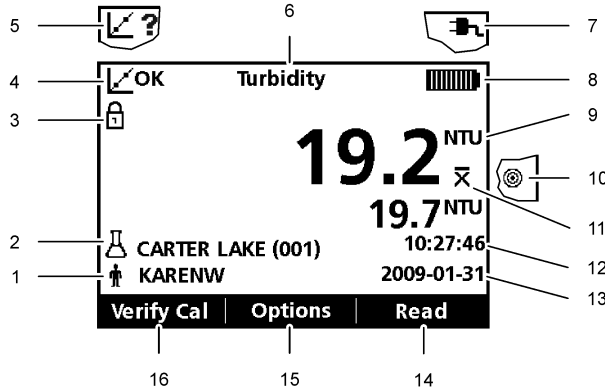


### 4.2 Ekran açıklaması

Ölçüm ekranı bulanıklığı, birimi, kalibrasyon durumunu, tarih ve saati, kullanıcı ismini (ayarlanmışsa) ve numune ismini(ayarlanmışsa) gösterir. Bkz. Şekil 5.

<b>1 AYARLAR</b> tuşu: cihazı ayarlama için kullanılacak menü seçeneklerini seçer	<b>5 YUKARI</b> tuşu: menüleri kaydırır, sayıları ve harfleri girer
<b>2 KALİBRASYON</b> tuşu: kalibrasyon ekranını gösterir, kalibrasyonu başlatır, kalibrasyon seçeneklerini belirler	<b>6 SAĞ</b> tuşu (içeriğe göre): bulanıklık numunesini okur, seçenekleri seçer ya da onaylar, alt menüleri açar/alt menülere geçer
<b>3 AŞAĞI</b> tuşu: menüleri kaydırır, sayıları ve harfleri girer	<b>7 VERİ YÖNETİMİ</b> tuşu: kayıtlı verileri görüntüler, siler ya da aktarır
<b>4 SOL</b> tuşu (içeriğe göre): kalibrasyon doğrulamasına girer, geçerli menü ekranını iptal eder ya da bir önceki ekrana çıkar	

Şekil 5 Tek ekranda gösterim



1 Kullanıcı ismi	9 NTU (Nephelometric Turbidity Unit - Nefelometrik Bulanıklık Birimi) ya da FNU (Formazin Turbidity Unit - Formazin Bulanıklık Birimi)
2 Numune ismi	10 Okuma modu: Rapidly Settling Turbidity (Hedef simgesi)
3 Stabilite ya da ekran kilidi göstergesi	11 Okuma modu: Sinyal Ortalama (X-çubuğu simgesi)
4 Kalibrasyon durumu göstergesi (Kalibrasyon OK = geçti)	12 Saat
5 Kalibrasyon durumu göstergesi (Kalibrasyon ? = geçemedi)	13 Tarih
6 Parametre başlığı	14 Okuma (içeriğe göre: OK, Seç)
7 AC güç simgesi	15 Seçenekler (içeriğe göre)
8 Pil simgesi	16 Kalibrasyon doğrulaması

### 4.3 Gezinme

Cihazda, çeşitli seçeneklerin değiştirilmesini sağlayan Ayarlar, Okuma Seçenekleri, Kalibrasyon Seçenekleri ve Kalibrasyon Doğrulama Seçenekleri menüleri bulunmaktadır. Farklı seçenekleri vurgulamak için **YUKARI** ve **AŞAĞI** tuşlarını kullanın. Bir seçeneği seçmek için **SAĞ** tuşuna basın. Seçenekleri değiştirmenin iki yolu bulunmaktadır:

1. Bir seçeneği listeden seçin: Bir seçeneği seçmek için **YUKARI** ve **AŞAĞI** tuşlarını kullanın. Eğer onay kutuları gösteriliyorsa, birden fazla seçenek belirlenebilir. Seç'in altındaki **SOL** tuşuna basın.  
**Not:** Onay kutularının işaretini kaldırmak için Seçimi kaldır'ın altındaki **SOL** tuşuna basın.
2. Ok tuşlarını kullanarak bir seçenek değeri girin: Bir değer girmek ya da bir değeri değiştirmek için **YUKARI** ve **AŞAĞI** tuşlarına basın.
3. Bir sonraki alana ilerlemek için **SAĞ** tuşuna basın.
4. Bir değeri kabul etmek için **OK**'in altındaki **SAĞ** tuşuna basın.

## Bölüm 5 Başlatma

### 5.1 Cihazı açma ve kapatma

**⏻** Cihazı açmak ya da kapatmak için **AÇMA/KAPAMA** tuşuna basın. Eğer cihaz açılmıyorsa, pillerin ya da modülün düzgün takıldığını ya da AC elektrik beslemesinin düzgün biçimde bir elektrik prizine bağlı olduğunu kontrol edin.

**Not:** Cihazı kapatmak için **Otomatik Kapatma** seçeneği de kullanılabilir. Ek bilgiye üreticinin web sitesinden ulaşılabilir.

### 5.2 Dili değiştirme

Dili ayarlamak için üç seçenek bulunmaktadır:

- Cihaz ilk kez açıldığında cihazın dili seçilir.
- Güç düğmesine basılı tutulduğunda cihazın dili seçilir.
- Dil, Ayarlar menüsünden değiştirilebilir.

1. Listeden dili seçin. **OK** tuşuyla onaylayın.
2. Güncelleme tamamlandığında **Tamam**'a basın.

### 5.3 Tarihi ve saati değiştirme

Tarih ve saat, Tarih ve Saat menüsünden değiştirilebilir.

1. **AYARLAR** tuşuna basın ve Tarih ve Saat'i seçin.
2. Saat ve tarih bilgilerini güncelleştirin:

Seçenek	Açıklama
<b>Biçim</b>	Tarih ve saat için aşağıdaki biçimlerden birini seçin: yyyy-aa-gg 24s yyyy-aa-gg 12s gg-aa-yyyy 24s gg-aa-yyyy 12s aa/gg/yyyy 24s aa/gg/yyyy 12s
<b>Tarih</b>	Geçerli tarihi girin
<b>Saat</b>	Geçerli saati girin

Ekranda geçerli tarih ve saat gösterilecektir.

Tarih ve saat ayarlandıktan sonra ölçüm cihazı okuma yapmaya hazırdır.

## Bölüm 6 Standart çalıştırma

### 6.1 Numune ismi kullanılması

Numune ismi okunan değerleri belirli bir numune konumuyla ilişkilendirmek için kullanılır. Atanırsa, saklanan verilerde bu isim bulunur.

1. Ayarlar menüsünde **Numune İsmi**'ni seçin.

2. Numune ismi oluşturmayı ya da silmeyi seçin:

Seçenek	Açıklama
<b>Geçerli İsim</b>	Listeden bir isim seçin. Geçerli isim, farklı bir isim seçilene kadar numune verileriyle ilişkilendirilecektir.
<b>Yeni Numune İsmi Oluştur</b>	Yeni numune ismi için bir isim girin.
<b>Numune İsmi Sil</b>	Mevcut bir numune ismini siler.

### 6.2 Bir kullanıcı ismi kullanılması

Kullanıcı ismi, değerleri kullanıcılarla ilişkilendirir. Tüm saklanan verilerde bu isim bulunur.

1. Ayarlar menüsünde **Kullanıcı İsmi** 'ni seçin.
2. Kullanıcı ismi oluşturmayı ya da silmeyi seçin:

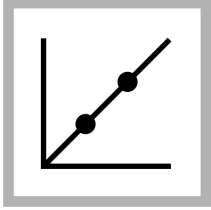
Seçenek	Açıklama
<b>Geçerli İsim</b>	Listeden bir isim seçin. Geçerli isim, farklı bir isim seçilene kadar numune verileriyle ilişkilendirilecektir.
<b>Yeni Kullanıcı İsmi Oluşturma</b>	Yeni kullanıcı ismi için bir isim girin (en fazla 10 isim girilebilir).
<b>Kullanıcı İsmi Sil</b>	Mevcut bir kullanıcı ismini siler.

## Bölüm 7 Gelişmiş çalıştırma

### 7.1 Türbidimetrenin StabiCal Standartlarıyla kalibre edilmesi

**Not:** En iyi hassasiyet için kalibrasyon sırasında tüm okumalarda aynı numune hücrecini ve eşleştirilmiş dört numune hücrecini kullanın. Numune hücrecini, elmas

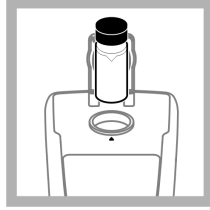
ya da yön işareti hücre bölümünün ön tarafındaki kabartmalı yön işaretiyle hizalı olacak şekilde aletin hücre bölümüne yerleştirin.



1. Kalibrasyon moduna girmek için **KALİBRASYON** tuşuna basın.

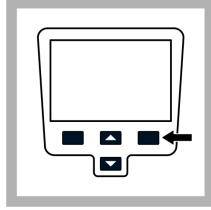
Ekranda gösterilen talimatları takip edin.

**Not:** Standartları cihaza yerleştirmeden önce her standardı yavaşça tersyüz edin.

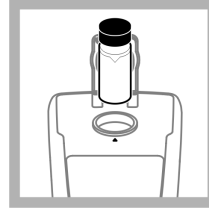


2. 20 NTU StabCal Standardını yerleştirin ve kapağı kapatın.

**Not:** Yerleştirilmesi gereken standart, kenarlıklarla gösterilmektedir.

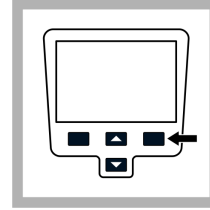


3. **Oku**'ya basın. Ekranda Dengeleniyor mesajı ve ardından sonuç gösterilir.

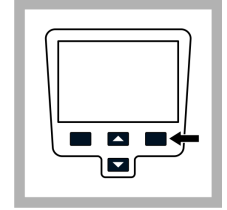


4. 2. ve 3. adımları 100 NTU ve 800 NTU StabCal Standartlarıyla tekrarlayın.

**Not:** 2 noktalı kalibrasyonu tamamlamak için **Tamam**'a basın.



5. Kalibrasyon ayrıntılarını gözden geçirmek için **Tamam**'a basın.



6. Sonuçları kaydetmek için **Sakla**'ya basın. Kalibrasyon tamamlandıktan sonra cihaz otomatik olarak Kal. Doğrulama moduna girer. Ek bilgiye üreticinin web sitesinden ulaşılabilir.

## 7.2 Okuma modları

1. Okuma Seçenekleri menüsüne girmek için **YUKARI** ya da **AŞAĞI** tuşlarına basın.
2. Aşağıdaki seçeneklerden birini seçmek için Okuma Modu'nu seçin:

Seçenek	Açıklama
<b>Normal (Varsayılan ayar)</b>	Normal modda, üç değer okunur ve ortalaması alınır. Okumadan sonra sonuç gösterilir.



## Seenek

## Aıklama

### Sinyal Ortalama



Sinyal Ortalama modu, numunedeki paracıkların ışık yolundan kaymasının neden olduėu deėer oynamalarını telafi eder.

Sinyal ortalaması aık olduėunda ekranda X-ubuėu simgesi gsterilir.

Sinyal Ortalama modu, 12 kez lm yapar ve  lmden sonra ortalamayı gstermeye bařlar. Sonu, 12 deėerin ortalamasıdır.

### Rapidly Settling Turbidity (RST)



Rapidly Settling Turbidity (RST) (Hızla okebilen Bulanıklık) modu, gerek zamanlı llen deėerlerin toplanan eėilimine dayalı olarak numunenin bulanıklık okumasını %95 gvenilirlikle hesaplar ve srekli gnceller.

RST modu, hızlı okelen ve srekli olarak deėeri deėiřen numunelerde kullanıma ok uygundur. Deėerler, okumanın bařlangıcında homojen olan doėru olarak hazırlanmıř bir rneėi temel alır. 20 NTU'dan fazla rnekler iin daha uygundur. Numunenin, cihaza yerleřtirilmeden hemen nce ters evrilerek iyice karıřtırılması gerekmektedir.

Rapidly Settling Turbidity aık olduėunda ekranda hedef simgesi gsterilir.

Rapidly Settling Turbidity ara sonuları gsterirken beř deėeri okur ve hesaplar.

## 8.1 Cihazın temizlenmesi

Cihaz bakım gerektirmeyecek řekilde tasarlanmıřtır ve normal alıřma sırasında dzenli temizleme gerektirmez. Gerektiėinde cihazın dıř yzeyi temizlenebilir.

**Not:** Malzemeye zarar vermeme iin cihazı solventlerle temizlemeyin.

1. Cihazı toz ve paracık bırakmayan kuru ya da hafif nemli bir bezle temizleyin. Tm yaėda znebilir kirler iin yumuřak sabun solyonu da kullanılabilir.

## 8.2 Numune hcresine silikon yaėının srlmesi

Numune hcreleri ve kapakları, ok temiz olmalı ve belirgin izikler iermemelidir. Iřık daėılmasına neden olabilecek kk bozuklukları ve izikleri maskeleyerek iin numune hcrelerinin dıř tarafına ince bir kat silikon yaėı srn.

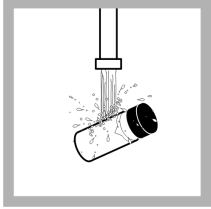
## Blm 8 Bakım

### ▲ DİKKAT

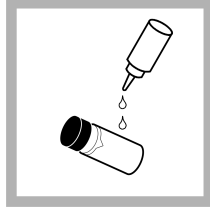


Birden fazla tehlike. Belgenin bu blmnde aıklanan grevleri yalnızca yetkili personel gerekleřtirmelidir.

**Not:** Yalnızca ürünle birlikte verilen silikon yağını kullanın. Silikon yağı, numune hücresi camıyla aynı ışık kırma indisine sahiptir.



1. Hücrelerin ve kapakların içini ve dışını, bir laboratuvar cam temizleme deterjanıyla yıkayarak temizleyin. Daha sonra distile ya da demineralize suyla birkaç kez durulayın.



2. Hücrenin üstünden altına doğru küçük bir damla silikon yağı sürün.



3. Yağı eşit biçimde dağıtmak için ürünle birlikte verilen yağlama bezini kullanın. Yalnızca ince bir kat yağ kalacak şekilde fazlalığı silin. Numune hücresinin, çok az ya da hiç yağ kalmayacak şekilde neredeyse kuru olduğundan emin olun.

**Not:** Yağlama bezini, temiz tutmak için bir plastik saklama torbasında saklayın.

### 8.3 Numune hücrelerinin saklanması

#### BİLGİ

Numune hücrelerini hava ile kurutmayın.

**Not:** Hücrelerin kurumasını önlemek için numune hücrelerini her zaman kapakları takılı halde saklayın.

1. Numune hücrelerini distile ya da demineralize suyla doldurun.
2. Numune hücrelerinin kapağını kapatın ve saklayın.
3. Yumuşak bir bezle numune hücrelerinin dışını silin.

### 8.4 Pilin değiştirilmesi

#### ⚠ UYARI



Patlama tehlikesi. Kullanım süresi dolan piller cihazın içinde hidrojen gazının birikmesine neden olabilir. Bu durumdaki pilleri kullanım süresi dolmadan önce cihazdan çıkarın. Cihazı içinde pil takılı haldeyken uzun süre muhafaza etmeyin.

#### ⚠ UYARI

Yangın tehlikesi olasılığı. Cihazda yalnızca alkin ya da nikel metal hidrit piller (NiMH) kullanın. Diğer pil türleri ya da yanlış takma yangına neden olabilir. Cihazda asla farklı pil türlerini birlikte kullanmayın.

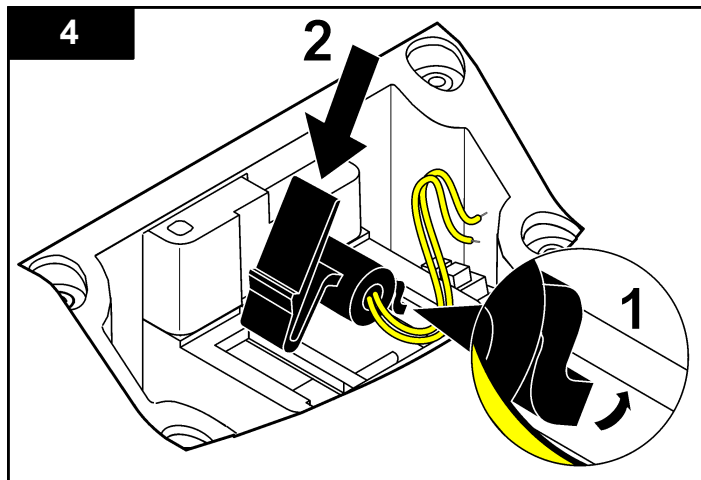
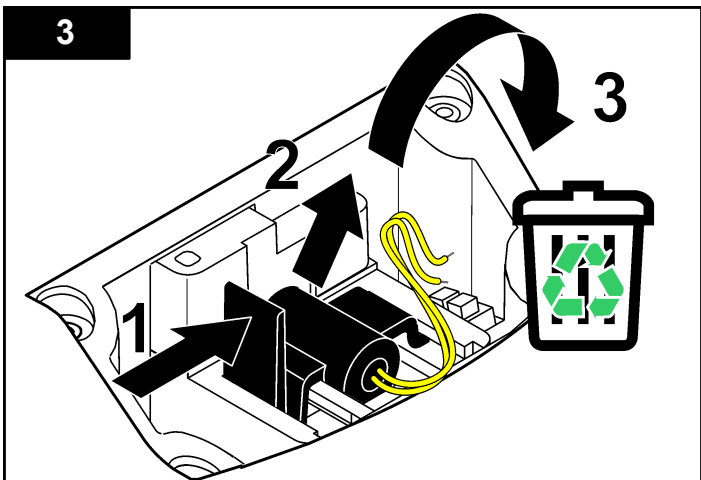
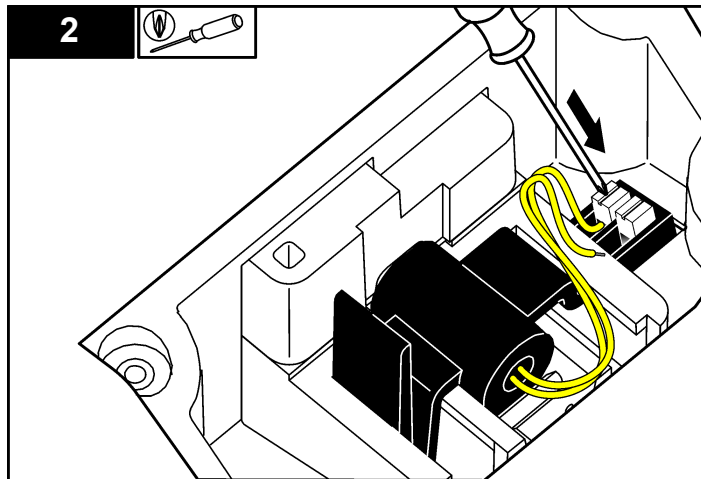
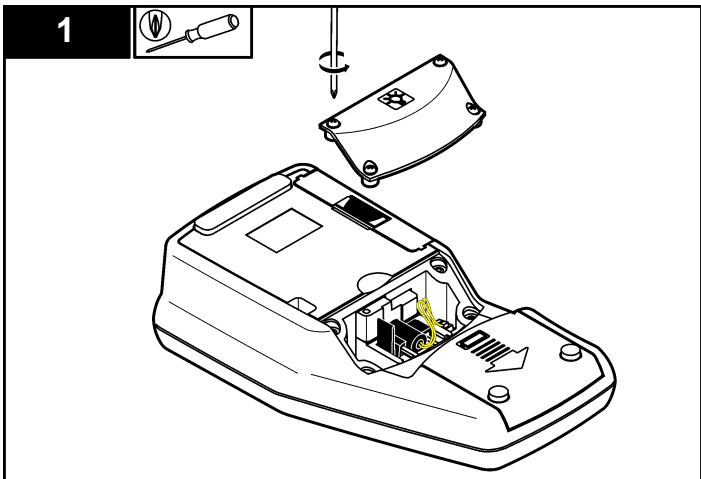
Pilin değiştirilmesiyle ilgili bilgi için bkz. [Pili takma](#) sayfa 268.

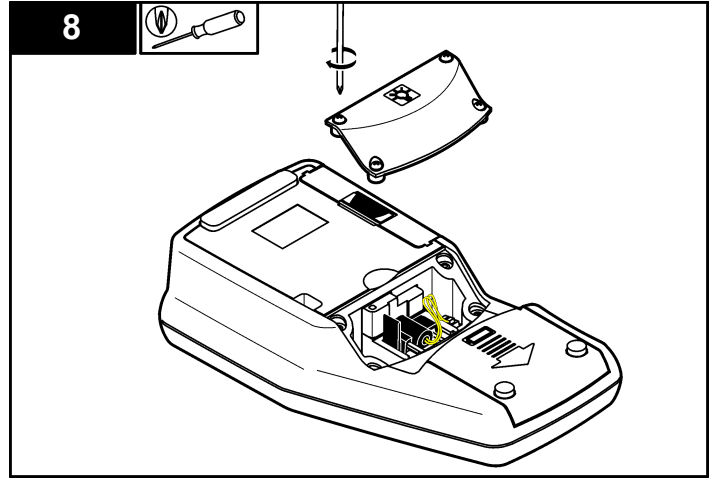
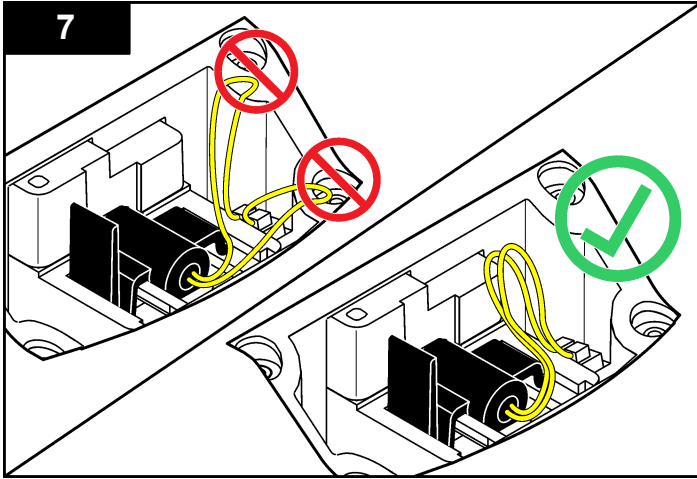
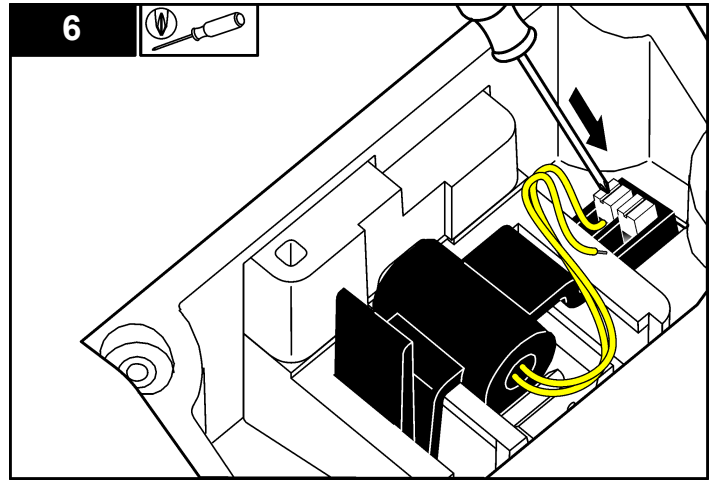
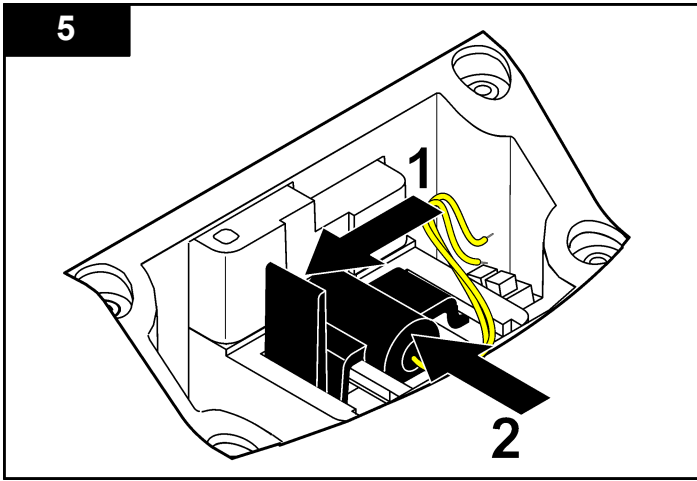
1. Pil kapağını çıkarın.
2. Pilleri çıkarın.
3. 4 AA alkin ya da 4 AA nikel metal hidrit (NiMH) pil takın. Pillerin doğru yönlerde takıldığından emin olun.
4. Pil kapağını takın.

### 8.5 Lambanın değiştirilmesi

#### ⚠ DİKKAT

Yanma Tehlikesi. Lamba soğuyana kadar bekleyin. Sıcak lambaya dokunulması yanıklara neden olabilir.





## Bölüm 9 Sorun giderme

Sık karşılaşılan sorun mesajları ya da belirtileri, olası nedenleri ve düzeltici işlemleri için aşağıdaki tabloya bakın.

Hata/Uyarı	Açıklama	Çözüm
<b>Kapağı kapatın ve Oku'ya basın.</b>	Kapak açık ya da kapak algılanamadı.	Okuma sırasında kapağın kapalı olduğundan emin olun ve tekrar okuma işlemini yapın.
<b>Düşük Pili!</b>	Pil seviyesi düşük.	<ul style="list-style-type: none"><li>• Yeni pil takın</li><li>• Eğer şarj edilebilir piller kullanılıyorsa USB/elektrik modülünü bağlayın</li></ul>
<b>ADC Arızası!</b>	Okumanın yapılamamasına neden olan donanım hatası.	Okuma işlemini tekrarlayın.
<b>Detektör sinyali çok düşük!</b>	180° detektörde yetersiz ışık.	<ul style="list-style-type: none"><li>• Işık yolunun engellenip engellenmediğini kontrol edin.</li><li>• Lambayı kontrol edin.</li></ul>
<b>Aralık üzeri!</b>	Bulanıklık çok yüksek - yalnızca RapidCal ile kalibre edilmekten kaynaklanıyor olabilir.	<ul style="list-style-type: none"><li>• Üst aralığı kalibre edin.</li><li>• Numuneyi seyreltin.</li></ul>
<b>Aralık altı!</b>	Ölçülen absorban kalibrasyon aralığının altında.	Kalibrasyonu tekrarlayın

Hata/Uyarı	Açıklama	Çözüm
<b>Lütfen lambayı kontrol edin!</b>	90° ve 180° detektörde sinyaller çok düşük.	<b>2100Q:</b> Lamba arızalı. Lambayı değiştirin (bkz. <a href="#">Lambanın değiştirilmesi</a> sayfa 274). <b>2100Qis:</b> Teknik destekle görüşün.
<b>Sıcaklık çok yüksek! Cihazı kapatın.</b>	Sıcaklık cihazın limitlerinin üzerinde (>60 °C ya da >140 °F).	Cihazı kapatın ve soğumasını bekleyin.
<b>RST: Ortalama değer!</b>	Katılar çok yavaş çökeliyor. Okuma modu bu numune için uygun değil.	Normal ya da Sinyal Ortalama okuma modunu seçin.
<b>Güvenirlilik seviyesi &lt; %95</b>	Okuma modu Rapidly Settling Turbidity, $\geq 95\%$ güvenirlilik aralığını karşılamadı.	<ul style="list-style-type: none"><li>• Katıların karışması için numuneyi birkaç kez ters çevirin. Okuma işlemini tekrarlayın.</li><li>• Eğer örnek kararlıysa ve çökelen katılar içermiyorsa Normal okuma moduna geçin.</li></ul>
<b>Standart değer aralık dışında. Standartı ekleyin ve Oku'ya basın</b>	Okuma için yanlış standart değeri kullanıldı.	Uygun standardı takın ve tekrar okutun.

Hata/Uyarı	Açıklama	Çözüm
<b>İsim zaten kullanımda. Yeni isim girin</b>	Kullanıcı ya da Numune İsmi, zaten atanmış olduğundan kullanılamıyor.	Yeni bir isim oluşturun.
<b>Hata - Güvenlik Lütfen güvenliği etkinleştirmeden önce şifreyi belirleyin</b>	Şifre oluşturulmadı.	Yeni bir şifre oluşturun.
<b>Lütfen en az bir karakter girin.</b>	Şifrede en az bir karakter bulunmalıdır.	En az bir karakterli bir şifre oluşturun.
<b>Şifre yanlış. Lütfen tekrar deneyin.</b>	Yanlış şifre girildi.	Doğru şifreyi girin.
<b>Lütfen USB kablonuzla bilgisayarınızın bağlantısını kesin.</b>	Cihaza ve bilgisayara bağlıyken veri depolama yanıt vermez.	USB kablosunu cihazdan çıkartın ve verileri tekrar göndermeyi deneyin.
<b>USB modül belleği dolu. Veri silin ve tekrar deneyin.</b>	Veri saklama alanı dolu.	<ol style="list-style-type: none"> <li>1. USB/güç modülünü bilgisayara takın.</li> <li>2. Kayıtlı verileri bilgisayara indirin.</li> <li>3. Modüldeki Veri Günlüğünü silin.</li> </ol>

Hata/Uyarı	Açıklama	Çözüm
<b>Son Okumayı Sil Başarısız!</b>	Veri saklama alanında hata.	Cihazı kapatın ve açın. Hata mesajı hala veriliyorsa, teknik destekle iletişim kurun.
<b>Veri Günlüğünü Sil başarısız!</b>		
<b>Veri seti okunamıyor!</b>		
<b>Veri kaydedilemiyor!</b>		
<b>Okuma Günlüğüne kaydedilemiyor!</b>		
<b>Kal. Doğrulama Günlüğüne kaydedilemiyor!</b>		
<b>Veri kaydedilirken hata!</b>		
<b>Veri okunurken hata!</b>		

## Vsebina

- |   |  |   |                                   |
|---|--|---|-----------------------------------|
| 1 | Specifikacije na strani 279                    | 6 | Standardni postopki na strani 286 |
| 2 | Splošni podatki na strani 280                  | 7 | Napredni postopki na strani 286   |
| 3 | Namestitev na strani 283                       | 8 | Vzdrževanje na strani 288         |
| 4 | Uporabniški vmesnik in pomikanje na strani 284 | 9 | Odpravljanje težav na strani 292  |
| 5 | Zagon na strani 285                            |   |                                   |

## Razdelek 1 Specifikacije

Pridržana pravica do spremembe tehničnih podatkov brez predhodnega obvestila.

Tehnični podatek	Podrobnosti
Meritveni način	Razmerje turbidimetrične ocene z uporabo primarnega nefelometričnega signala razpršene svetlobe (90°) do oddajnega signala razpršene svetlobe.
Regulatorno	<b>2100Q:</b> ustreza načinu EPA 180.1
Vir žarnice	<b>2100Q:</b> volframova nitasta žarnica <b>2100Qis:</b> svetlobna dioda (LED)
Območje	0-1000 NTU (FNU)
Točnost	±2 % meritve plus sipanje svetlobe od 0-1000 NTU (FNU)
Ponovljivost	±1 % meritve ali 0,01 NTU (FNU), karkoli je večje
Ločljivost	0,01 NTU na najnižjem območju
Sipanje svetlobe	≤ 0,02 NTU (FNU)

Tehnični podatek	Podrobnosti
Povprečje signala	Možno izbirati med vključenim ali izključenim stanjem
Detektor	Silikonska fotodioda
Kategorija prenapetosti	II
Nadmorska višina	Največ 2000 m (6562 ft)
Načini merjenja	Normalno (pritisni in meri), povprečje signala ali Rapidly Settling Turbidity
Možnosti umerjanja	Način z enim korakom RapidCal za nizkostopenjsko regulatorno poročanje od 0–40 NTU (FNU) Umerjanje celotnega območja od 0-1000 NTU (FNU) Umerjanje do stopinje motnosti natančno
Zapiskovalnik umerjanj	Shrani zadnjih 25 uspešnih umerjanj
Zapiskovalnik kontrol	Shrani zadnjih 250 uspešnih kontrol
Pomnilnik	500 zapisov
Poraba	Napajanje z baterijami: največ 6 VDC (4 baterije NiMH 1,2 V AA ali 4 alkalne baterije 1,5 V AA) Zunanje napajanje: 100–240 VAC ± 10%; izhodna moč 5 W (9 VDC, največ 600 mA)
Pogoji delovanja	Temperatura: od 0 do 50° C (od 32 do 122° F) Relativna vlažnost: 0–90 % pri 30° C, 0–80 % pri 40° C, 0–70 % pri 50° C, nekondenzacijska
Pogoji shranjevanja	–40 do 60° C (–40 do 140° F), samo instrument

Tehnični podatek	Podrobnosti
Vmesnik	Dodatni USB
Potreben vzorec	15 mL (0,5 oz.)
Vzorčne kivete	Okrogle kivete 60 x 25 mm (2.36 x 1 in) borosilikatno steklo z navojnim pokrovčkom
Dimensions (Mere)	22.9 × 10.7 × 7.7 cm (9.0 × 4.2 × 3.0 in)
Teža	530 g (1.17 lb) brez baterij 620 g (1,37 lb) s štirimi alkalnimi baterijami AA
Ocena ohišja merilnika	IP67 (zaprt pokrov, brez prostora za baterije in modul)
Razred zaščite	2100Q/is: Razred III Napajanje: razred II
Stopnja onesnaževanja	2
Okoljski pogoji	Uporaba v zaprtih prostorih in na prostem
Potrdila	Certifikat CE
Garancija	1 leto (EU: 2 leti)

## Razdelek 2 Splošni podatki

V nobenem primeru proizvajalec ne prevzema odgovornosti za neposredno, posredno, posebno, nezgodno ali posledično škodo, nastalo zaradi kakršnekoli napake ali izpusta v teh navodilih. Proizvajalec si pridržuje pravico do sprememb v navodilih in izdelku, ki ga opisuje, brez vnaprejšnjega obvestila. Prenovljene različice najdete na proizvajalčevi spletni strani.

## 2.1 Varnostni napotki

Proizvajalec ne odgovarja za škodo, ki bi nastala kot posledica napačne aplikacije ali uporabe tega izdelka, kar med drugim zajema neposredno, naključno in posledično škodo, in zavrača odgovornost za vso škodo v največji meri, dovoljeni z zadevno zakonodajo. Uporabnik je v celoti odgovoren za prepoznavo tveganj, ki jih predstavljajo kritične aplikacije, in namestitvev ustreznih mehanizmov za zaščito procesov med potencialno okvaro opreme.

Še pred razpakiranjem, zagonom ali delovanjem te naprave v celoti preberite priložena navodila. Še posebej upoštevajte vse napotke o nevarnostih in varnostne napotke. V nasprotnem primeru obstaja nevarnost hudih poškodb uporabnika oz. škode na opremi.

Zaščita te opreme mora biti brezhibna. Uporabljajte in nameščajte jo izključno tako, kot je navedeno v tem priročniku.

## 2.2 Uporaba varnostnih informacij

### ▲ NEVARNOST

Označuje možno ali neposredno nevarno situacijo, ki lahko povzroči smrt ali hude poškodbe.

### ▲ OPOZORILO

Označuje možno ali neposredno nevarno situacijo, ki lahko privede do hude poškodbe ali povzroči smrt, če se ji ne izognete.

### ▲ PREVIDNO

Označuje možno nevarno situacijo, ki lahko povzroči manjše ali srednje težke poškodbe.




### O P O M B A

Označuje situacijo, ki lahko, če se ji ne izognete, povzroči poškodbe instrumenta. Informacija, ki zahteva posebno pozornost.



## 2.3 Opozorilne oznake

Upošteвайте vse oznake in tablice, ki so nahajajo na napravi. Neupoštevanje tega lahko privede do telesnih poškodb ali poškodb naprave. Simbol na merilni napravi se nanaša na navodila s

	To je varnostni opozorilni simbol. Upošteвайте vsa varnostna sporočila, ki sledijo temu simbolu, da se izognete poškodbam. Če se nahajajo na napravi, za informacije o delovanju ali varnosti glejte navodila za uporabo.
	Ta simbol opozarja, da obstaja tveganje električnega udara in/ali smrti zaradi elektrike.
	Električne opreme, označene s tem simbolom, v EU ni dovoljeno odlagati v domačih ali javnih sistemih za odstranjevanje odpadkov. Staro ali izrabljeno opremo vrnite proizvajalcu, ki jo mora odstraniti brez stroškov za uporabnika.

## 2.4 Skladnost in potrdila

### ▲ PREVIDNO

Oprema ni namenjena za uporabo v stanovanjskem okolju in v takem okolju morda ne bo dovolj zaščitena pred radijskim sprejemom.

**Pravilnik za opremo, ki povzroča motnje (Kanada), ICES-003, razred A:**

Zapiske o opravljenih preizkusih hrani proizvajalec.

Digitalna naprava razreda A izpolnjuje vse zahteve kanadskega pravilnika glede opreme, ki povzroča motnje.

Cet appareil numérique de classe A répond à toutes les exigences de la réglementation canadienne sur les équipements provoquant des interférences.

**FCC del 15, omejitve razreda "A"**

Zapiske o opravljenih preizkusih hrani proizvajalec. Ta naprava je skladna s 15. delom pravil FCC. Delovanje mora ustrezati naslednjima pogojema:

1. Oprema lahko ne sme povzročati škodljivih motenj.
2. Oprema mora sprejeti katerokoli sprejeto motnjo, vključno z motnjo, ki jo lahko povzroči neželeno delovanje.

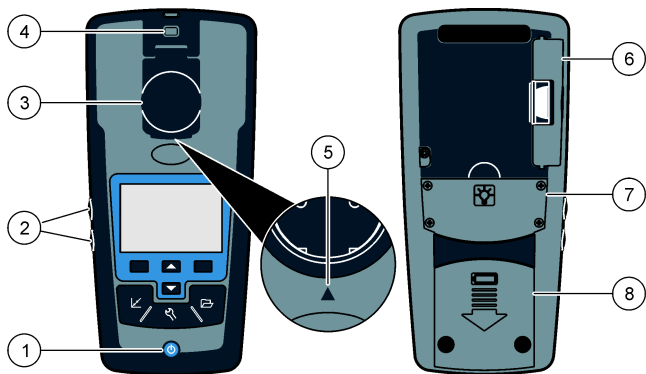
Spremembe ali prilagoditve opreme, ki jih izrecno ne odobri oseba, odgovorna za zagotavljanje skladnosti, lahko razveljavijo uporabnikovo pravico do uporabe te naprave. Oprema je bila preizkušena in je preverjeno skladna z omejitvami za digitalne naprave razreda A glede na 15. del pravil FCC. Te omejitve omogočajo zaščito pred škodljivim sevanjem, ko se naprava uporablja v komercialnem okolju. Ta oprema ustvarja, uporablja in lahko oddaja radiofrekvenčno energijo. Če ni nameščena ali uporabljena v skladu s priročnikom z navodili, lahko povzroča škodljive motnje pri radijski komunikaciji. Uporaba te opreme v bivalnem okolju verjetno povzroča škodljive motnje, zato mora uporabnik motnje na lastne stroške odpraviti. Za zmanjšanje težav z motnjami lahko uporabite naslednje tehnike:

1. Odklopite opremo iz vira napajanja, da preverite, ali je to vzrok motnje.
2. Če je oprema priključena na enako vtičnico kot naprava z motnjami, jo priključite na drugo vtičnico.
3. Opremo umaknite stran od opreme, ki dobiva motnje.
4. Prestavite anteno naprave, ki prejema motnje.
5. Poskusite kombinacijo zgornjih možnosti.

## 2.5 Pregled izdelka

Prenosna turbidimetra 2100Q in 2100Q/s merita motnost od 0 do 1000 NTU (FNU). V glavnem sta namenjena terenski uporabi; prenosni merilnik deluje na štiri baterije AAA. Podatke lahko shranite in prenesete na tiskalnik, računalnik ali pomnilniško napravo USB.

Slika 1 Pregled izdelka

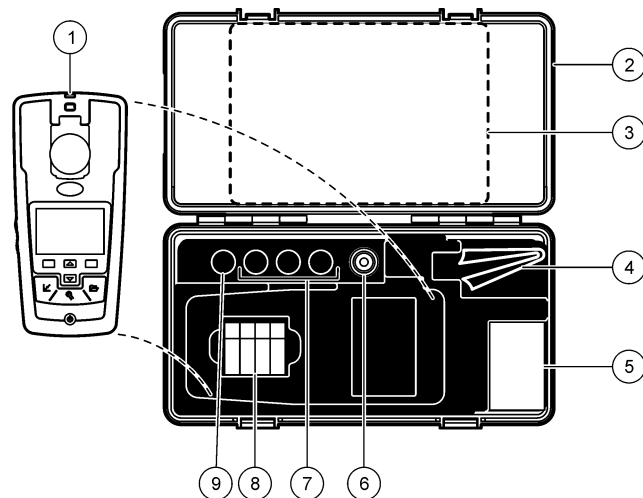


1 Vkllop ali izklop naprave	5 Puščica za poravnavanje
2 Tipke za osvetljavo (+ in -)	6 Modul
3 Držalo za kiveto z vzorcem s pokrovom	7 Predal za žarnico
4 Pritrdišče za kratko vrv	8 Predal za baterije

## 2.6 Sestavni deli izdelka

Glejte [Slika 2](#) in se prepričajte, da ste prejeli vse sestavne dele. Če kateri izmed delov manjka ali je poškodovan, se takoj obrnite na proizvajalca ali prodajnega zastopnika.

Slika 2 Sestavni deli 2100Q in 2100Qis



1 Turbidimeter 2100Q ali 2100Qis	6 Silikonsko olje
2 Torbica	7 Vzorci umerjanja 20, 100 in 800 NTU StablCal
3 Uporabniški priročnik in hitra navodila	8 Alkalne baterije AA (4 kosi)
4 Krpa za oljenje	9 Kontrolni vzorec StablCal 10 NTU
5 1-palčna kiveta z vzorcem (10 ml), s pokrovčkom (pakiranje/6)	

## Razdelek 3 Namestitvev

### ▲ PREVIDNO



Različne nevarnosti Opravila, opisana v tem delu dokumenta, lahko izvaja samo usposobljeno osebe.

### 3.1 Vstavite baterije

#### ▲ OPOZORILO



Nevarnost eksplozije. Zaradi pretečene baterije se v instrumentu lahko začne nabirati vodikov plin. Baterije zamenjajte pred iztekom. Če instrument dalj časa stoji, v njem ne sme biti baterij.

#### ▲ OPOZORILO

Možna nevarnost požara. Uporabljajte samo alkalne ali nikelj-metal-hidridne (NiMH) baterije. Druge vrste baterij ali nepravilna namestitvev lahko povzročijo požar. V merilnik ne vstavljajte baterij različnih tipov.

#### OPOMBA

Prostor za baterije ni vodotesen. Če se prostor za baterije zmoči, odstranite in posušite baterije osušite in notranjost prostora. Preverite, da na baterijah ni korozije in jih po potrebi očistite.

#### OPOMBA

Če uporabljate nikelj-metal-hidridne baterije (NiMH), ikona baterije ne označuje, da so baterije polne, ko vstavite sveže napolnjene baterije (baterije NiMH so 1,2 V, alkalne baterije pa 1,5 V). Čeprav ikona ne označuje, da so baterije popolnoma napolnjene, bo ob uporabi baterij NiMH 2300 mA·h dosežena 90 % življenjska doba baterij instrumenta (pred ponovnim polnjenjem) v primerjavi z novimi alkalnimi baterijami.

#### OPOMBA

Da bi preprečili morebitne poškodbe merilnika zaradi iztekanja baterije, pred daljšim časom neuporabe naprave odstranite baterije iz merilnika.

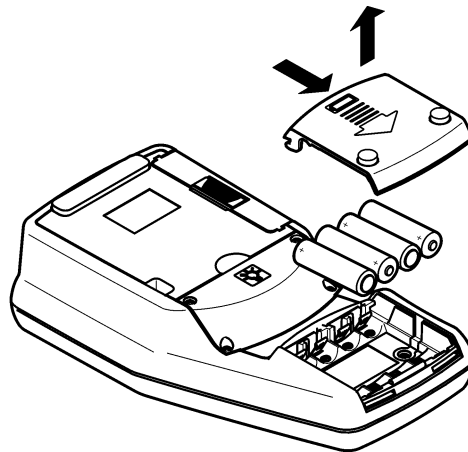
Merilnik lahko napajajo alkalne baterije AA ali akumulatorske baterije NiMH. Za varčevanje z baterijo se bo merilnik samodejno izklopil po 10 minutah neuporabe, osvetljava ozadja pa se izklopi po 30 sekundah. Ta čas lahko spremenite v meniju Upravljanje porabe.

**Napotek:** Polnilne baterije se bodo polnile samo z USB/napajalnim modulom. Za nadaljnje informacije glejte dokumentacijo modula.

Za namestitev baterije glejte [Slika 3](#).

1. Odstranite pokrov baterije.
2. Vstavite 4 alkalne baterije AA ali 4 nikelj-metal-hidridne baterije AA (NiMH). Zagotovite, da so baterije pravilno usmerjene.
3. Namestite pokrov baterij.

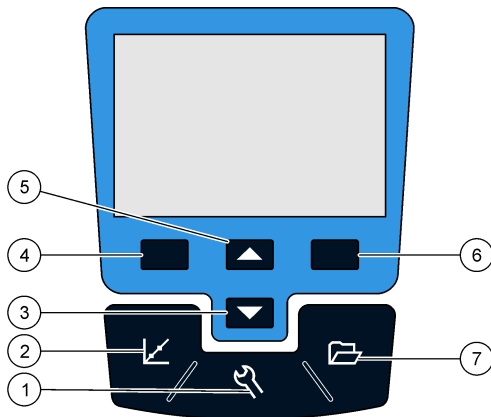
**Slika 3** Namestitev baterij



## Razdelek 4 Uporabniški vmesnik in pomikanje

### 4.1 Uporabniški vmesnik

Slika 4 Opis tipkovnice

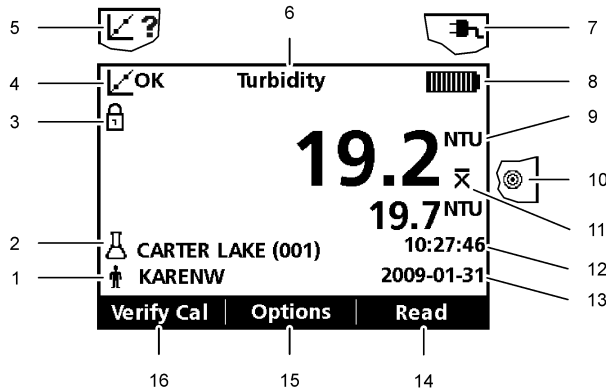


1 Tipka <b>NASTAVITVE</b> : izberite meni Možnosti in nastavite merilnik	5 Tipka <b>NAVZGOR</b> : pomikanje skozi menije, vnos števil in črk
2 Tipka <b>UMERJANJE</b> : prikaže zaslon umerjanje, začetek umerjanje, izbor možnosti umerjanja	6 Tipka <b>DESNO</b> (v kontekstu): merjenje vzorca motnosti, izbor ali potrditev možnosti, odpre/preskoči do podmenijev
3 Tipka <b>NAVZDOL</b> : pomikanje skozi menije, vnos števil in črk	7 Tipka <b>UPRAVLJANJE PODATKOV</b> : ogled, izbris ali prenos shranjenih podatkov
4 Tipka <b>LEVO</b> (v kontekstu): dostop do preverjanja umerjanja, preklic ali izhod iz trenutnega menijskega zaslona in vstop v prejšnji menijski zaslon	

### 4.2 Opis zaslona

Merilni zaslon prikazuje motnost, enoto, stanje umerjanja, datum in čas, ID upravljavca (če je nastavljen) in ID vzorca (če je nastavljen). Glejte [Slika 5](#).

Slika 5 Prikaz enojnega zaslona




### 4.3 Navigacija

Merilnik vsebuje naslednje menije za spreminjanje različnih možnosti: Nastavitve, Možnosti merjenja, Možnosti umerjanja in Možnosti preverjanja umerjanja. S tipkama **NAVZGOR** in **NAVZDOL** označite različne možnosti. Pritisnite tipko **DESNO**, da izberete eno možnost. Možnosti lahko spremenite na dva načina:

1. Možnost izberite s seznama: s tipkama **NAVZGOR** in **NAVZDOL** izberite možnost. Če so prikazana potrditvena polja, lahko izberete več kot eno možnost. Pritisnite tipko **LEVO** pod Izberi.  
*Napotek:* Če želite odznačiti potrditvena polja, pritisnite tipko **LEVO** pod Odstači.
2. S puščičnimi tipkami vnesite vrednost možnosti: S tipkama **NAVZGOR** in **NAVZDOL** vnesite ali spremenite vrednost.
3. Pritisnite tipko **DESNO**, da pridete do naslednjega prostora.
4. Pritisnite tipko **DESNO** pod **V** redu, da sprejmete vrednost.

## Razdelek 5 Zagon

### 5.1 Vklon in izklon merilnika

 Pritisnite tipko **VKLOP/IZKLOP**, da vklopite ali izklopite merilnik. Če se merilnik ne vklopi, preverite, ali so baterije ali modul pravilno nameščeni ali je AC-napajanje pravilno priključeno v vtičnico.

*Napotek:* Za izklon merilnika lahko uporabite tudi možnost samodejnega izklopa. Dodatne informacije so vam na voljo na spletnem mestu proizvajalca.

### 5.2 Sprememba jezika

Za nastavitve jezika obstajajo tri možnosti:

- Jezik prikaza lahko izberete ob prvem vklopu merilnika.
- Jezik prikaza lahko izberete tako, da pritisnete in zadržite tipko za vklop.
- Jezik lahko spremenite v meniju Nastavitve.

1 Identifikacija upravljavca	9 NTU (nefelometrična enota motnosti) ali FNU (Formazinova enota motnosti)
2 Identifikacija vzorca	10 Način merjenja: hitro umirjajoča se motnost (ikona tarče)
3 Indikator stabilnosti ali zaklepa zaslona	11 Način merjenja: povprečne signala (ikona X-stolpca)
4 Indikator stanja umerjanja (umerjanje OK = uspešno)	12 Time (Čas)
5 Indikator stanja umerjanja (umerjanje ? = neuspešno)	13 Datum
6 Naziv parametra	14 Branje (iz konteksta: V redu, Izberi)
7 Ikona AC-napajanja	15 Možnosti (iz konteksta)
8 Ikona baterije	16 Kontrolno umerjanje

1. Izberite jezik s seznama. Pritisnite **V redu**, da potrdite.
2. Po koncu posodobitve pritisnite **Končano**.

### 5.3 Sprememba datuma in časa

Datum in čas lahko spremenite v meniju Datum in čas.

1. Pritisnite tipko **NASTAVITVE** in izberite Datum in čas.
2. Posodobite informacije o času in datumu:

Možnost	Opis
<b>Format</b>	Izberite enega od formatov za datum in čas: llll-mm-22 24h llll-mm-dd 12h dd-mm-llll 24h dd-mm-llll 12h mm/dd/llll 24h mm/dd/llll 12h
<b>datum</b>	Vnesite trenutni datum
<b>čas</b>	Vnesite trenutni čas

Na zaslonu se bosta prikazal trenutni datum in čas.

Ko nastavite datum in čas, je merilnik pripravljena za uporabo.

## Razdelek 6 Standardni postopki

### 6.1 Uporabite ID vzorca

Oznaka ID vzorca se uporablja za povezovanje meritev z določenim položajem vzorca. Če je ID dodeljen, se bo poleg podatkov shranil tudi ID.

1. V meniju Nastavitve izberite **ID vzorca**.

2. Izberite, ustvarite ali izbršite ID vzorca:

Možnost	Opis
<b>Trenutni ID</b>	Izberite ID s seznama. Trenutni ID bo povezan s podatki vzorca, dokler ne boste izbrali drugega ID-ja.
<b>Ustvari nov ID vzorca</b>	Vnesite ime za nov ID vzorca.
<b>Izbršiši ID vzorca</b>	Izbršišite obstoječ ID vzorca.

### 6.2 Uporabite ID upravljavca

Oznaka ID upravljavca povezuje meritve s posameznim upravljavcem. Vsi shranjeni podatki bodo vsebovali ta ID.

1. V meniju Nastavitve izberite **ID upravljavca**.
2. Izberite, ustvarite ali izbršite ID upravljavca:

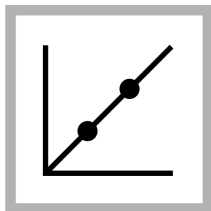
Možnost	Opis
<b>Trenutni ID</b>	Izberite ID s seznama. Trenutni ID bo povezan s podatki vzorca, dokler ne boste izbrali drugega ID-ja.
<b>Ustvari nov ID upravljavca</b>	Vnesite ime za nov ID upravljavca (vnesete lahko največ 10 imen).
<b>Izbršiši ID upravljavca</b>	Izbršišite obstoječ ID upravljavca.

## Razdelek 7 Napredni postopki

### 7.1 Umerjanje turbidimetra s standardi StabiCal

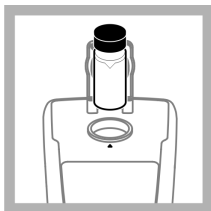
**Napotek:** Za najboljšo natančnost med odčitavanjem med umerjanjem uporabite enako kiveto z vzorcem ali štiri enake kivete z vzorcem. Vstavite kiveto z vzorcem

v prostor za kivete v instrumentu, tako da bo diamant ali orientacijska oznaka poravnana z dvignjeno orientacijsko oznako pred prostorom za kivete.

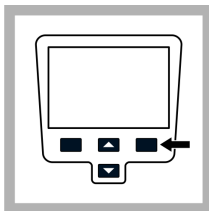


1. Pritisnite tipko **UMERJANJE**, da vstopite v način za umerjanje. Sledite navodilom na zaslonu.

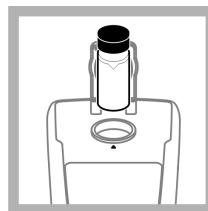
**Napotek:** Nežno obrnite vsak vzorec, preden ga vstavite.



2. Vstavite vzorec 20 NTU StabiCal in zaprite pokrov. **Napotek:** Vzorec, ki ga je treba vstaviti, je očrtan.

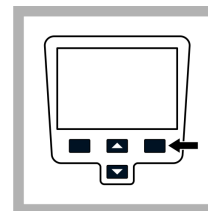


3. Pritisnite **Branje**. Na zaslonu se izpiše "Stabiliziram", nakar se prikaže rezultat.

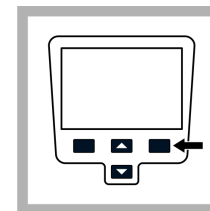


4. Ponovite koraka 2 in 3 še z vzorcem 100 NTU in 800 NTU StabiCal.

**Napotek:** Za zaključek 2-točkovnega umerjanja pritisnite **Končano**.



5. Pritisnite **Končano**, da si ogledate podrobnosti o umerjanju.



6. Pritisnite **Shrani**, da shranite rezultate. Po koncu umerjanje se bo merilnik samodejno preklopil v način Preveri umerjanje. Dodatne informacije so vam na voljo na spletnem mestu proizvajalca.

## 7.2 Načini merjenja

1. Pritisnite tipko **NAVZGOR** ali **NAVZDOL**, da vstopite v meniju Možnosti branja.
2. Izberite način merjenja in izberite eno od naslednjih možnosti:

Možnost	Opis
<b>Normalno (privzeta nastavitve)</b>	Pri normalnem načinu se odmerijo in izračuna povprečje treh meritev. Po merjenju se prikaže rezultat.

Možnost	Opis
---------	------

**Povprečje signala**



Način Povprečje signala kompenzira za merjenje nihanj, ki nastanejo pri prehajanju delcev vzorca skozi svetlobno pot.

Ikona X-stolpca se prikaže na zaslonu, ko je vključeno povprečje signala.

Način Povprečje signala meri 12 krat in začne prikazovati povprečje po treh merjenjih. Končni rezultat je povprečje vseh 12 merjenj.

**Rapidly Settling Turbidity (RST)**



Način hitro umierjajoče se motnosti (RST) računa in nenehno posodablja merjenje motnosti vzorca do 95-odstotne gotovosti, ki temelji na akumuliranem trendu vrednosti, izmerjenih v resničnem času.

Način RST je najbolje uporabljati pri vzorcih, ki se hitro usedejo in nenehno spreminjajo vrednost. Merjenje je odvisno od pravilno pripravljenega vzorca, ki je na začetku merjenja homogen. Najbolje je uporabiti vzorce, večje od 20 NTU. Vzorec je treba temeljito premešati, tik preden ga vstavite v merilnik.

Ko je vključen način za hitro umirjajočo se motnost, se na zaslonu prikaže ikona tarče.

V tem načinu se izmeri in izračuna pet meritev, prikazani pa so vmesni rezultati.

## 8.1 Čiščenje merilnika

Merilnik je izdelan tako, da ne potrebuje vzdrževanja in rednega čiščenja za normalno obratovanje. Zunanje površine merilnika lahko očistite po potrebi.

**Napotek:** Merilnika ne čistite s topili, ker se lahko poškoduje material.

1. Merilnik očistite s krpo, ki ne dviga prahu in ne pušča nitk, ali rahlo vlažno krpo. Prav tako lahko uporabite blago milnico.

## 8.2 Nanesite silikonsko olje na kiveto z vzorcem

Kivete z vzorcem in pokrovčki morajo biti izredno čisti in brez večjih prask. Nanesite tanek sloj silikonskega olja na zunanjo stran kivete z vzorcem, da prekrijete manjše napake in praske, ki lahko povzročijo razsipanje svetlobe.

**Napotek:** Uporabljajte samo priloženo silikonsko olje. To silikonsko olje mora imeti enak indeks prevodnosti kot steklo kivete z vzorcem.

## Razdelek 8 Vzdrževanje

### ▲ PREVIDNO



Različne nevarnosti Opravitelja, opisane v tem delu dokumenta, lahko izvaja samo usposobljeno osebje.





1. Očistite zunanost in notranjost kivet in pokrovčkov, tako da jih umijete s čistilom za laboratorijsko steklo. Nato jih večkrat sperite z destilirano ali demineralizirano vodo.



2. Nanesite tanek sloj silikonskega olja od vrha proti dnu kivate.



3. S priloženo krpo enakomerno razporedite olje. Odvečno olje obrišite, tako da ostane le tanek sloj olja. Zagotovite, da bo kiveta z vzorcem skoraj suha z le malo ali nič vidnega olja.  
**Napotek:** Krpo za oljenje shranite v plastično vrečko, da se ne umaže.

### 8.3 Shranite kivate z vzorci

#### OPOMBA

Kivet z vzorci ne sušite na zraku.

**Napotek:** Kivate z vzorcem vedno shranite z vsemi pokrovčki, da preprečite, da bi se izsušile.

1. Napolnite kivate z vzorci z destilirano ali demineralizirano vodo.
2. Na kiveto z vzorcem namestite pokrovček in jo shranite.
3. Obrišite zunanost kivate z vzorcem s suho in mehko krpo.

### 8.4 Zamenjajte baterijo

#### ▲ OPOZORILO



Nevarnost eksplozije. Zaradi pretečene baterije se v instrumentu lahko začne nabirati vodikov plin. Baterije zamenjajte pred iztekom. Če instrument dalj časa stoji, v njem ne sme biti baterij.

#### ▲ OPOZORILO

Možna nevarnost požara. Uporabljajte samo alkalne ali nikelj-metalhidridne (NiMH) baterije. Druge vrste baterij ali nepravilna namestitve lahko povzročijo požar. V merilnik ne vstavljajte baterij različnih tipov.

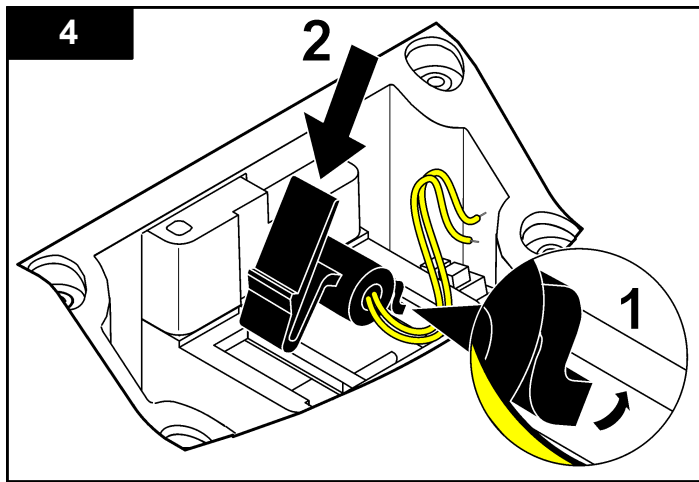
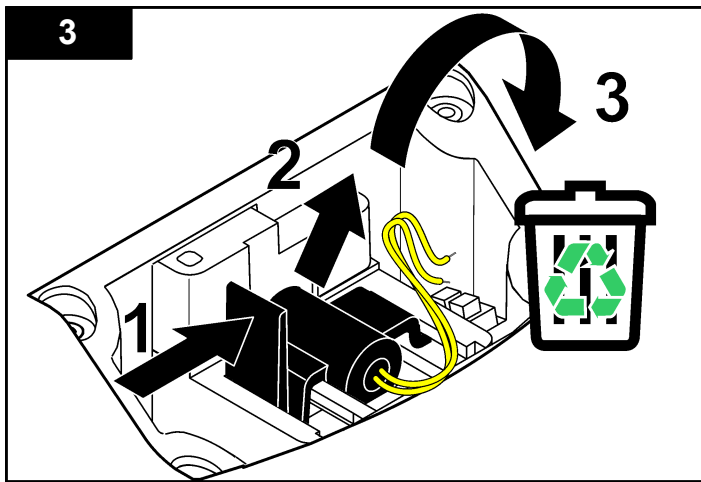
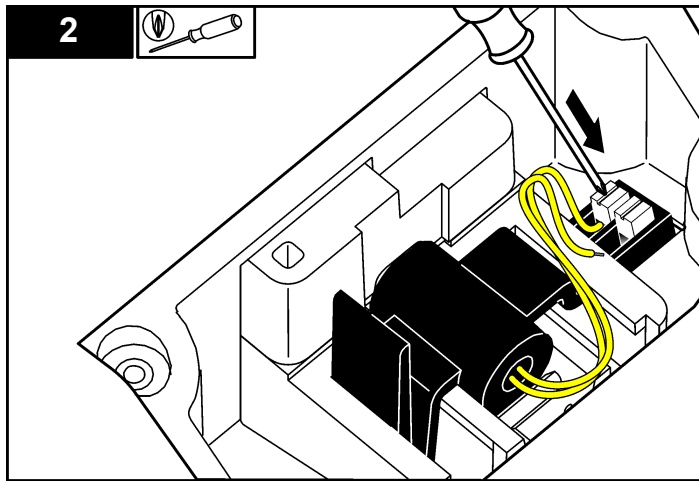
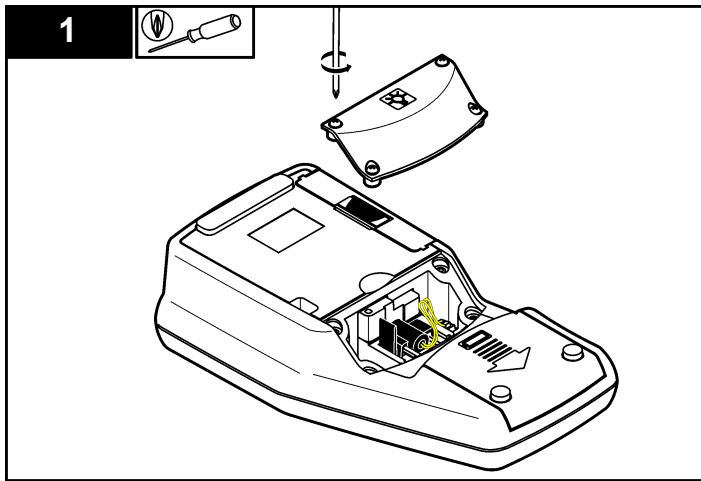
Za menjavo baterije glejte [Vstavite baterije](#) na strani 283.

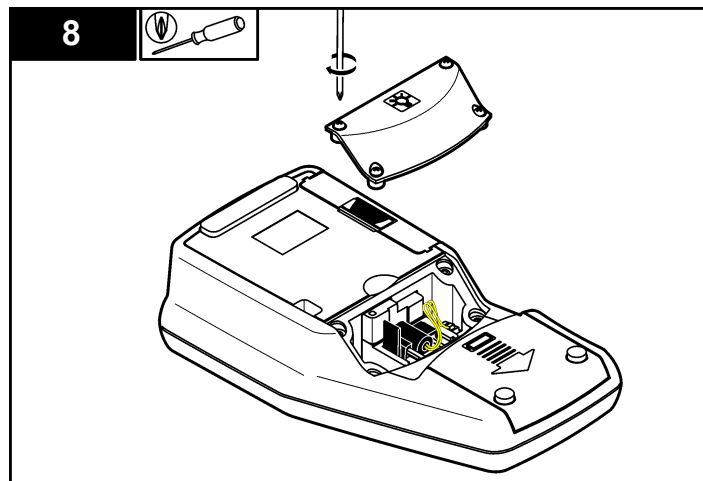
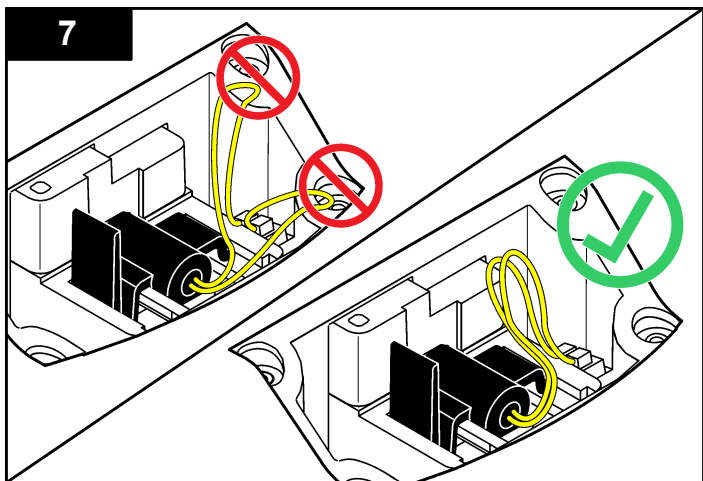
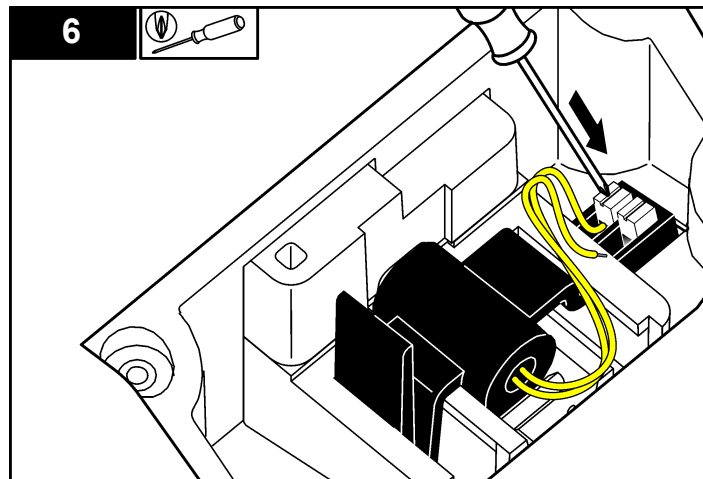
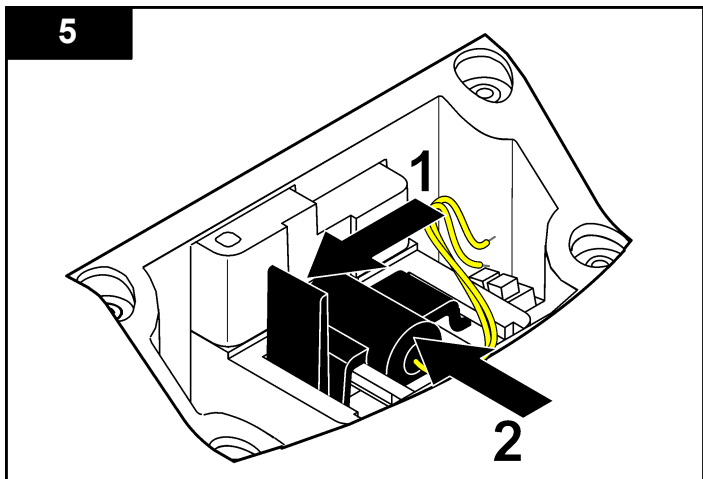
1. Odstranite pokrov baterije.
2. Odstranite baterije.
3. Vstavite 4 alkalne baterije AA ali 4 nikelj-metalhidridne baterije AA (NiMH). Zagotovite, da so baterije pravilno usmerjene.
4. Namestite pokrov baterij.

### 8.5 Zamenjajte žarnico

#### ▲ PREVIDNO

Nevarnost opeklin. Počakajte, da se žarnica ohladi. Stik z vročo žarnico lahko povzroči opekline.





## Razdelek 9 Odpravljanje težav

V naslednji tabeli so navedena najpogostejša sporočila o napakah ali simptomih, možni vzroki in ukrepi.

Napaka/opozorilo	Opis	Rešitev
<b>Zaprte pokrov in pritisnite tipko Beri.</b>	Pokrov je odprt ali tipalo za zaznavanje pokrova ne deluje.	Zagotovite, da je pokrov med merjenjem zaprt in ponovite meritve.
<b>Nizko stanje baterije!</b>	Baterije so skoraj prazne.	<ul style="list-style-type: none"> <li>Vstavite nove baterije</li> <li>Če uporabljate polnilne baterije, priključite USB/napajalni modul</li> </ul>
<b>Okvara ADC!</b>	Napaka strojne opreme onemogoča merjenje.	Ponovite merjenje.
<b>Prenizek signal detektorja!</b>	Na 180-stopinjskem detektorju ni dovolj svetlobe.	<ul style="list-style-type: none"> <li>Preverite, ali je pot svetlobe ovirana.</li> <li>Preverite žarnico.</li> </ul>
<b>Prekomerno območje!</b>	Prevelika motnost - vzrok: samo umerjanje z RapidCal.	<ul style="list-style-type: none"> <li>Umerite zgornje območje.</li> <li>Razredčite vzorec.</li> </ul>
<b>Podobmočje!</b>	Izmerjena absorpcija je pod območjem umerjanja.	Ponovite umerjanje

Napaka/opozorilo	Opis	Rešitev
<b>Preverite žarnico!</b>	Signali so na 90 in 180-stopinjskem detektorju so prenizki.	<p><b>2100Q:</b> Žarnica je pregorela. Zamenjajte žarnico (glejte <a href="#">Zamenjajte žarnico</a> na strani 289).</p> <p><b>2100Qis:</b> Obrnite se na tehnično službo.</p>
<b>Previsoka temperatura! Izklopite instrument.</b>	Temperatura je preseгла omejitve merilnika (> 60° C ali > 140° F).	Izključite merilnik in počakajte, da se ohladi.
<b>RST: Povprečna vrednost!</b>	Trdni delci se usedajo prepočasi. Način merjenja ni primeren za ta vzorec.	Izberite način merjenja Normalno ali Povprečje signala.
<b>Stopnja natančnosti je &lt; 95 %</b>	Način merjenja Hitro umirjajoča se motnost ne ustreza območju natančnosti ≥ 95 %.	<ul style="list-style-type: none"> <li>Večkrat obrnite vzorec, da poiščete trde delce. Ponovite merjenje.</li> <li>Preklopite na normalni način merjenja, če je vzorec stabilen in nima usedajočih se delcev.</li> </ul>
<b>Standardna vrednost je izven območja. Vstavite standard in pritisnite Meri</b>	Uporabljena nepravilna standardna vrednost za merjenje.	Vstavite pravilen vzorec in ponovite merjenje.
<b>ID je že v uporabi. Vnesite nov ID</b>	ID upravljalca ali vzorca ni na voljo, ker je že zaseden.	Ustvarite nov ID.

Napaka/opozorilo	Opis	Rešitev
<b>Napaka - Varnost: nastavite novo geslo, preden aktivirate varnost</b>	Geslo ni izbrano.	Ustvarite novo geslo.
<b>Vnesite najmanj en znak.</b>	Geslo mora vsebovati vsaj en znak.	Ustvarite geslo z najmanj enim znakom.
<b>Nepravilno geslo. Poskusite znova.</b>	Vnesli ste nepravilno geslo.	Vnesite pravilno geslo.
<b>Odklopite USB-kabel iz računalnika.</b>	Podatkovni pomnilnik se ne odziva, ko je priključen na merilnik in računalnik.	Izklopite USB-kabel iz merilnika in znova poskusite poslati podatke.
<b>Pomnilnik USB-modula je poln. Izbrišite podatke in poskusite znova.</b>	Pomnilnik podatkov je poln.	<ol style="list-style-type: none"> <li>1. Priključite USB/napajalni modul na računalnik.</li> <li>2. Prenesite shranjene podatke na računalnik.</li> <li>3. Izbrišite zapisovalnik podatkov na modulu.</li> </ol>

Napaka/opozorilo	Opis	Rešitev
<b>Brisanje zadnje meritve ni uspelo!</b>	Napaka pri shranjevanju podatkov.	Izklopite in znova vklopite merilnik. Če se sporočilo o napaki znova pojavi, stopite v stik s tehnično službo.
<b>Brisanje zapisovalnika podatkov ni uspelo!</b>		
<b>Branje podatkovnega zapisa ni mogoče!</b>		
<b>Shranjevanje podatkov ni mogoče!</b>		
<b>Zapisovalnika meritev ni mogoče shraniti!</b>		
<b>Kontrolnega zapisovalnika umerjanj ni mogoče shraniti!</b>		
<b>Napaka pri shranjevanju podatkov!</b>		
<b>Napaka pri branju podatkov!</b>		

## Obsah

- |   |                                      |
|---|--------------------------------------|
| 1 Technické údaje na strane 294                   | 6 Štandardná prevádzka na strane 301 |
| 2 Všeobecné informácie na strane 295              | 7 Rozšírená prevádzka na strane 302  |
| 3 Montáž na strane 298                            | 8 Údržba na strane 303               |
| 4 Uživatelské rozhranie a navigácia na strane 299 | 9 Riešenie problémov na strane 307   |
| 5 Spustenie do prevádzky na strane 300            |                                      |

## Odsek 1 Technické údaje

Technické údaje podliehajú zmenám bez upozornenia.

Technický údaj	Podrobnosti
Metóda merania	Nefelometrické meranie turbidity založené na pomere signálu rozptýleného primárneho svetla (90°) voči signálu prepusteného svetla.
Normy	<b>2100Q:</b> v súlade s metódou EPA 180.1
Zdroj svetla	<b>2100Q:</b> wolfrámová žiarovka <b>2100Qis:</b> Svetlo vyžarujúca dióda (LED)
Rozsah	0 – 1000 NTU (FNU)
Presnosť	±2 % meranej hodnoty plus rozptýlené svetlo od 0 – 1000 NTU (FNU)
Reprodukovateľnosť	±1 % meranej hodnoty alebo 0,01 NTU (FNU), podľa toho, čo je vyššie
Rozlíšenie	0,01 NTU v najnižšom rozsahu
Rozptýlené svetlo	≤ 0,02 NTU (FNU)

Technický údaj	Podrobnosti
Určovanie priemeru signálu	Voliteľné zapnutie alebo vypnutie
Detektor	Kremíková fotodióda
Kategória prepätia	II
Nadmorská výška	Maximálne 2000 m (6562 stôp)
Režimy merania	Normal (Normálny) (spustí sa stlačením možnosti Read (Načítať)), Signal Averaging (Určovanie priemeru signálu) alebo Rapidly Settling Turbidity
Možnosti kalibrácie	Jednokroková kalibrácia RapidCal pre účely hlásení výsledkov v nízkom rozsahu od 0 – 40 NTU (FNU) Kalibrácia celého rozsahu od 0 – 1000 NTU (FNU) Kalibrácia na stupne turbidity
Kalibračný denník	Zaznamenáva posledných 25 úspešných kalibrácií denník
Denník overenia	Zaznamenáva posledných 250 úspešných overení
Dátový denník	500 záznamov
Požiadavky na napájanie	Napájanie z batérie: maximálne 6 VDC (4 NiMH 1,2 V AA batérie alebo 4 alkalické 1,5 V AA batérie) Externé napájanie: 100–240 VAC ± 10%; výstup 5 W (9 VDC, max. 600 mA)
Prevádzkové podmienky	Teplota: 0 až 50 °C (32 až 122 °F) Relatívna vlhkosť: 0 – 90 % pri 30 °C, 0 – 80 % pri 40 °C, 0 – 70 % pri 50 °C, bez kondenzácie

Technický údaj	Podrobnosti
Skladovacie podmienky	– 40 až 60 °C (– 40 až 140 °F), len prístroj
Rozhranie	Voliteľné USB
Požadovaná vzorka	15 ml (0,5 oz t.j. 14,18 g)
Meracie kyvety	Okrúhle kyvety 60 x 25 mm (2,36 x 1 palec) z bórosilikátového skla so skrutkovacími viečkami
Rozmery	22,9 x 10,7 x 7,7 cm (9,0 x 4,2 x 3,0 palca)
Hmotnosť	530 g (1,17 lb) bez batérií 620 g (1,37 lb) so štyrmi alkalickými batériami typu AA
Stupeň krytia meracieho prístroja	IP67 (zatvorené veko, nevzťahuje sa na priestor pre batérie a modul)
Trieda ochrany	2100Q/is: Trieda III Napájanie: trieda II
Stupeň znečisťovania	2
Podmienky okolitého prostredia	Použitie v interiéri a exteriéri
Certifikáty	S certifikátom CE
Záruka	1 rok (EÚ: 2 roky)

## Odsek 2 Všeobecné informácie

Výrobca v žiadnom prípade nenesie zodpovednosť za priame, nepriame, mimoriadne, náhodné alebo následné škody spôsobené chybou alebo

opomenutím v tomto návode na použitie. Výrobca si vyhradzuje právo na vykonávanie zmien v tomto návode alebo na predmetnom zariadení kedykoľvek, bez oznámenia alebo záväzku. Revidované vydania sú k dispozícii na webových stránkach výrobcu.

### 2.1 Bezpečnostné informácie

Výrobca nie je zodpovedný za škody spôsobené nesprávnym alebo chybným používaním tohto zariadenia vrátane, okrem iného, priamych, náhodných a následných škôd, a odmieta zodpovednosť za takéto škody v plnom rozsahu povolenom príslušným zákonom. Používateľ je výhradne zodpovedný za určenie kritického rizika pri používaní a zavedenie náležitých opatrení na ochranu procesov počas prípadnej poruchy prístroja.

Pred vybalením, nastavením alebo prevádzkou tohto zariadenia si prečítajte celý návod. Venujte pozornosť všetkým výstrahám a upozorneniam na nebezpečenstvo. Zanedbanie môže mať za následok vznik vážnych zranení obsluhy alebo poškodenie zariadenia.

Ak si chcete byť istí, že ochrana tohto zariadenia nebude porušená, toto zariadenie nepoužívajte ani nemontujte iným spôsobom, ako je uvedený v tomto návode.

### 2.2 Informácie o možnom nebezpečenstve

#### **⚠ NEBEZPEČIE**

Označuje potenciálne alebo bezprostredne nebezpečnú situáciu, ktorá, ak sa jej nezabráni, spôsobí smrť alebo vážne zranenie.

#### **⚠ VAROVANIE**

Označuje potenciálne alebo bezprostredne nebezpečnú situáciu, ktorá, ak sa jej nezabráni, by mohla spôsobiť smrť alebo vážne zranenie.

#### **⚠ UPOZORNENIE**




Označuje potenciálne ohrozenie s možným ľahkým alebo stredne ťažkým poranením.

## POZNÁMKA

Označuje situáciu, ktorá, ak sa jej nezabráni, môže spôsobiť poškodenie prístroja. Informácie, ktoré vyžadujú zvýšenú pozornosť.

### 2.3 Výstražné štítky

Preštudujte si všetky štítky a značky, ktoré sa nachádzajú na zariadení. Pri nedodržaní pokynov na nich hrozí poranenie osôb alebo poškodenie prístroja. Symbol na prístroji je vysvetlený v príručke s bezpečnostnými pokynmi.

	Toto je výstražný symbol týkajúci sa bezpečnosti. Aby ste sa vyhli prípadnému zraneniu, dodržte všetky bezpečnostné pokyny, ktoré nasledujú za týmto symbolom. Tento symbol vyznačený na prístroji, odkazuje na návod na použitie, kde nájdete informácie o prevádzke alebo bezpečnostné informácie.
	Tento symbol indikuje, že hrozí riziko zásahu elektrickým prúdom a/alebo možnosť usmrtenia elektrickým prúdom.
	Elektrické zariadenie označené týmto symbolom sa v rámci Európy nesmie likvidovať v systémoch likvidácie domového alebo verejného odpadu. Staré zariadenie alebo zariadenie na konci životnosti vráťte výrobcovi na bezplatnú likvidáciu.

### 2.4 Zhoda s normami a certifikácia

#### ⚠ UPOZORNENIE

Toto zariadenie nie je určené na používanie v obytnom prostredí a nemusí poskytovať dostatočnú ochranu rádiového príjmu v takýchto prostrediach.

**Kanadská smernica týkajúca sa zariadení spôsobujúceho rádiové rušenie (Canadian Radio Interference-Causing Equipment Regulation), ICES-003, trieda A:**

Príslušné protokoly zo skúšok sú uchovávané u výrobcu zariadenia.

Tento digitálny prístroj tTriedy A vyhovuje všetkým požiadavkám Kanadskej smernice týkajúcej sa o zariadeniach spôsobujúcich elektromagnetické rušenieo zariadeniach spôsobujúcich elektromagnetické rušeniezariadení spôsobujúcich rádiové rušenie.

Cet appareil numérique de classe A répond à toutes les exigences de la réglementation canadienne sur les équipements provoquant des interférences.

#### **Obmedzenia podľa smernice FCC, časť 15, tTrieda „A“**

Príslušné protokoly zo skúšok sú uchovávané u výrobcu zariadenia.

Toto zariadenie vyhovuje požiadavkám čČasti 15 smernice FCC.

Používanie zariadenia podlieha nasledujúcim podmienkam:

1. Zariadenie nesmie spôsobovať elektromagnetické rušenie.
2. Toto zariadenie musí byť schopné prijať akékoľvek rušenie, vrátane takého, ktoré môže spôsobiť neželanúúadanú prevádzku.

V dôsledku zmien alebo úprav na tomto zariadení vykonaných bez výslovného schválenia organizáciou zodpovednou za posúdenie zhody môže používateľ stratiť oprávnenie prevádzkovať toto zariadenie. Skúškou bolo potvrdené, že toto zariadenie vyhovuje obmedzeniam pre digitálne zariadenia tTriedy A , podľa čČasti 15 smernice FCC. Tieto obmedzenia sú určené na zabezpečenie primeranej miery ochrany proti elektromagnetickému rušeniu pri prevádzke zariadenia v priemyselnom prostredí. Toto zariadenie vytvára, využíva a môže vyžarovať energiu v pásme rádiových frekvencií a v prípade, ak nie je nainštalované a používané v súlade s návodom na obsluhu, môže spôsobovať rušenie rádiovkej komunikácie. Pri používaní tohto zariadenia v obytnej zóne je vysoká pravdepodobnosť, že dôjde k takémuto rušeniu. V takom prípade je používateľ zariadenia povinný obmedziť elektromagnetické rušenie na vlastné náklady. Pri odstraňovaní problémov s elektromagnetickým rušením možno použiť nasledujúce postupy:

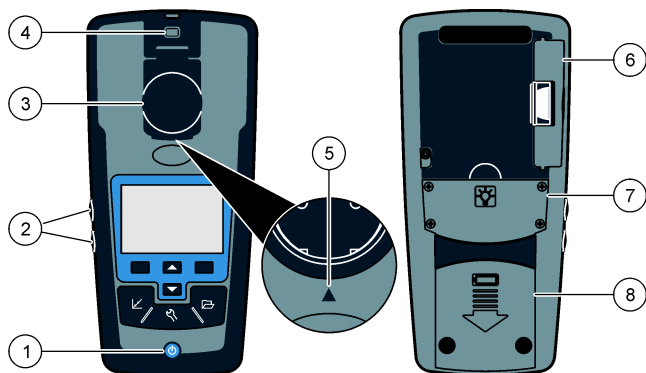
1. Odpojte zariadenie od zdroja napájania a overte, či je skutočne zdrojom elektromagnetického rušenia.
2. Ak je zariadenie pripojené k tej istej zásuvke ako zariadenie zasiahnuté rušením, pripojte ho k inej zásuvke.
3. Presuňte zariadenie ďalej od zariadenia zasiahnutého rušením.
4. Zmeňte polohu prijímacej antény na zariadení zasiahnutom rušením.
5. Skúste kombináciu vyššie uvedených postupov.



## 2.5 Popis výrobku

Modely prenosných turbidimetrov 2100Q a 2100Q*s* merajú turbiditu od 0 do 1000 NTU (FNU). Na napájanie meracích prístrojov, primárne určených pre použitie v teréne, slúžia štyri batérie AA. Dáta je možné uložiť a preniesť do tlačiarne, počítača alebo na USB úložné zariadenie.

Obrázok 1 Popis výrobku

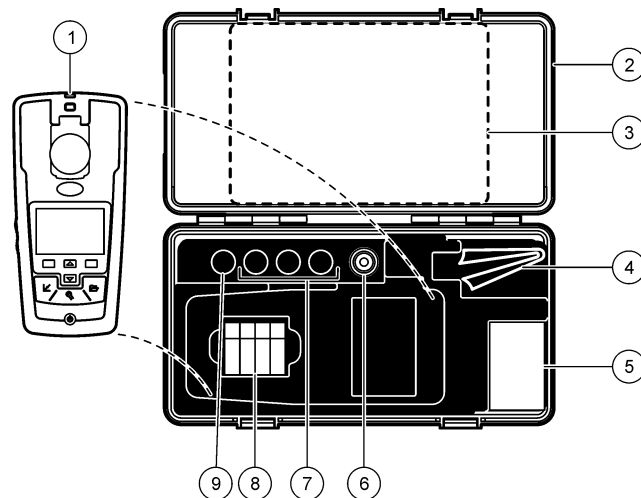


1 Hlavný vypínač	5 Ukazovateľ zarovnanja
2 Tlačidlá podsvietenia (+ a -)	6 Modul
3 Držiak na kyvety s vekom	7 Priestor pre lampu
4 Otvor na pripovenie šnúrky	8 Priestor pre batérie

## 2.6 Súčasti produktu

Pozrite si **Obrázok 2**, aby ste skontrolovali, či boli doručené všetky komponenty. V prípade, že by nejaká položka chýbala alebo bola poškodená, ihneď sa skontaktujte s výrobcom alebo predajcom.

Obrázok 2 Komponenty pre 2100Q a 2100Q*s*



1 Turbidimeter 2100Q alebo 2100Q <i>s</i>	6 Silikónový olej
2 Prenosné puzdro	7 Kalibračné štandardy StablCal 20, 100 a 800 NTU
3 Používateľská príručka a stručná referenčná príručka	8 Alkalické batérie typu AA (4 ks)
4 Utierka na rozotieranie oleja	9 Overovací štandard StablCal 10 NTU
5 1" kyveta na vzorky (10 ml) s uzáverom (6 ks)	

## Odsek 3 Montáž

### ▲ UPOZORNENIE



Viacnásobné nebezpečenstvo. Úkony popísané v tejto časti návodu smú vykonávať iba kvalifikovaní pracovníci.

### 3.1 Inštalácia batérií

#### ▲ VAROVANIE



Nebezpečenstvo výbuchu. Exspirovaná batéria môže spôsobiť hromadenie plyného vodíka vnútri prístroja. Batériu vymeňte pred expiráciou. Nástroj neskladujte dlhodobo s vloženou batériou.

#### ▲ VAROVANIE

Nebezpečenstvo vzniku požiaru. V meracom prístroji používajte iba alkalické batérie alebo nikel-metalhydridové batérie (NiMH). Pri použití batérií iného typu alebo pri ich nesprávnom vložení môže dôjsť k vznieteniu. V prístroji nikdy súčasne nepoužívajte batérie rôznych typov.

#### POZNÁMKA

Priestor pre batérie nie je vodotesný. Ak do priestoru pre batérie prenikne voda, vyberte a vysušte batérie a vysušte vnútro priestoru pre batérie. Skontrolujte kontakty batérií, či nie sú skorodované. V prípade potreby ich vyčistite.

#### POZNÁMKA

Pri použití nikel-metalhydridových batérií (NiMH) nebude ikona stavu batérií po založení čerstvo nabitých batérií indikovať stav úplného nabitia (batérie NiMH majú v porovnaní s 1,5 V pre alkalické batérie napätie iba 1,2 V). Napriek tomu, že ikona neoznačuje úplné nabitie, batérie NiMH s kapacitou 2300 mAh dosahujú 90 % potrebného prevádzkového času zariadenia (do ďalšieho nabitia) v porovnaní s novými alkalickými batériami.

#### POZNÁMKA

Pred dlhším obdobím nečinnosti vyberte z meracieho prístroja batérie, aby ste predišli možnému poškodeniu prístroja v dôsledku vytečenia batérií.

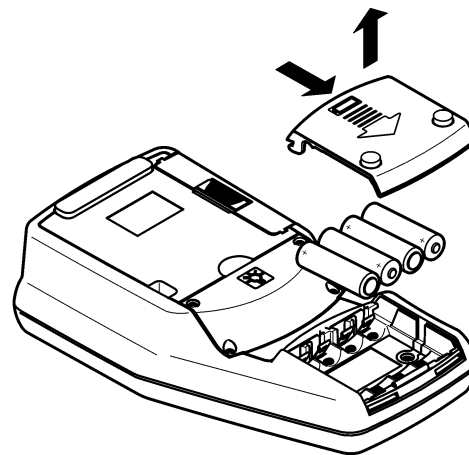
Merací prístroj môže byť napájaný alkalickými alebo nabíjateľnými NiMH batériami typu AA. S cieľom šetriť životnosť batérií sa merací prístroj po 10 minútach nečinnosti sám vypne, podsvietenie sa vypne po 30 sekundách. Táto doba sa dá zmeniť pomocou ponuky Power Management (Riadenie napájania).

**Poznámka:** Nabíjateľné batérie je možné opätovne nabíť len pomocou USB/napájacieho modulu. Ďalšie informácie nájdete v dokumentácii k modulu.

Pokyny na inštaláciu batérií nájdete v časti [Obrázok 3](#).

1. Odstráňte kryt batérií.
2. Vložte 4 alkalické alebo nikel-metalhydridové (NiMH) batérie typu AA. Skontrolujte správnu orientáciu nainštalovaných batérií.
3. Založte kryt batérií na miesto.

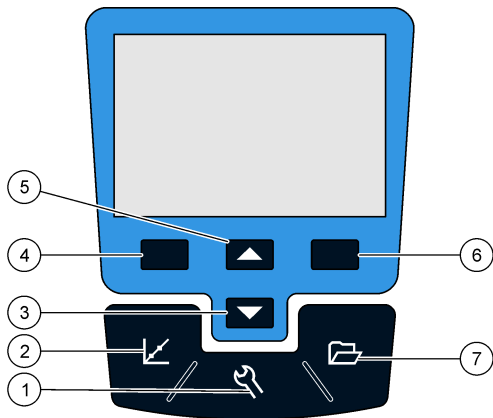
Obrázok 3 Inštalácia batérií



## Odsek 4 Uživateľské rozhranie a navigácia

### 4.1 Uživateľské rozhranie

Obrázok 4 Popis klávesnice

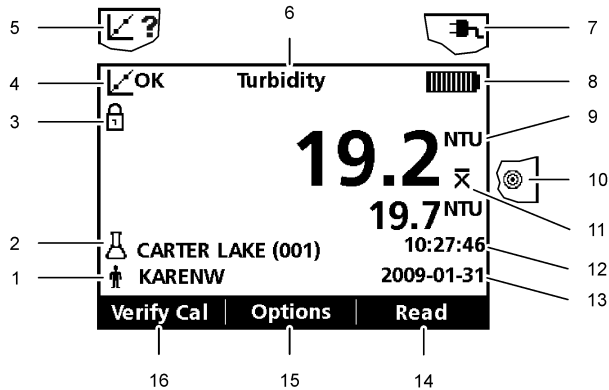


<b>1</b> Tlačidlo <b>SETTINGS</b> (NASTAVENIA): vyberte si z možností v ponuke a nastavte merací prístroj	<b>5</b> Tlačidlo <b>UP</b> (HORE): posúvanie sa v ponukách, zadávanie čísel a písmen
<b>2</b> Tlačidlo <b>CALIBRATION</b> (KALIBRÁCIA): zobrazí sa ponuka kalibrácie, spustenie kalibrácie, výber možností kalibrácie	<b>6</b> Tlačidlo <b>RIGHT</b> (VPRAVO) (podľa kontextu): meranie turbidity vzorky, výber alebo potvrdenie možností, otvorenie, resp. prechod do nasledujúcej ponuky
<b>3</b> Tlačidlo <b>DOWN</b> (DOLE): posúvanie sa v ponukách, zadávanie čísel a písmen	<b>7</b> Tlačidlo <b>DATA MANAGEMENT</b> (SPRÁVA DÁT): prezeranie, mazanie alebo prenos uložených dát
<b>4</b> Tlačidlo <b>LEFT</b> (VĽAVO) (podľa kontextu): prístup k overeniu kalibrácie, vymazanie alebo ukončenie aktuálnej ponuky na obrazovke a prechod	

### 4.2 Popis displeja

Na obrazovke merania sa zobrazuje turbidita, jednotka, stav kalibrácie, dátum a čas, ID obsluhy (pokiaľ je nastavené) a ID vzorky (pokiaľ je nastavené). Pozrite si časť [Obrázok 5](#).

Obrázok 5 Jednoduchá obrazovka displeja



1	Identifikácia obsluhy	9	NTU (nefelometrická jednotka turbidity) alebo FNU (formazínová nefelometrická jednotka)
2	Identifikácia vzorky	10	Režim merania: Rapidly Settling Turbidity (Rýchlo sedimentujúca turbidita) (ikona v tvare terča)
3	Stabilita alebo indikátor zamknutia displeja	11	Režim merania: Signal Average (Priemer signálu) (ikona v tvare X)
4	Indikátor stavu kalibrácie (Kalibrácia OK = prebehla úspešne)	12	Čas
5	Indikátor stavu kalibrácie (Kalibrácia ? = zlyhala)	13	Dátum
6	Názov parametra	14	Načítať (podľa kontextu: OK, Zvoliť)
7	Ikona napájania jednosmerným prúdom	15	Možnosti (podľa kontextu)
380	Slovenský jazyk Ikona batérie	16	Overenie kalibrácie

## 4.3 Navigácia

Merací prístroj disponuje ponukou nastavení, možností merania, možností kalibrácie a možností overovania kalibrácie, prostredníctvom ktorých sa dajú meniť rôzne nastavenia. Pomocou tlačidiel **UP** (HORE) a **DOWN** (DOLE) možno zvýrazniť rôzne možnosti. Stlačením tlačidla **RIGHT** (VPRAVO) zvolíte určitú možnosť. Existujú dva spôsoby ako zmeniť možnosti:


1. Zvoľte si nejakú možnosť zo zoznamu: pri voľbe možnosti použite tlačidlá **UP** (HORE) a **DOWN** (DOLE). Ak sa zobrazia zaškrťavacie políčka, môžete zvoliť viac možností. Pod možnosťou Select (Zvoliť) stlačte tlačidlo **LEFT** (VLAVO).

**Poznámka:** Zaškrtnutie políčok zrušíte stlačením tlačidla **LEFT** (VLAVO) pod možnosťou Deselect (Zrušiť výber).

2. Zadajte hodnotu možnosti pomocou tlačidiel so šípkami: Stlačením tlačidiel **UP** (HORE) a **DOWN** (DOLE) potvrďte alebo zmeňte hodnotu.
3. Stlačením tlačidla **RIGHT** (VPRAVO) prejdite dopredu na ďalšie miesto.
4. Stlačte tlačidlo **RIGHT** (VPRAVO) pod **OK**, čím prijmete hodnotu.

## Odsek 5 Spustenie do prevádzky

### 5.1 Zapnutie a vypnutie meracieho prístroja

-  Stlačením tlačidla **ON/OFF** (ZAPNÚŤ/VYPNÚŤ) merací prístroj zapnete alebo vypnete. Ak sa merací prístroj nezapne, skontrolujte, či sú správne vložené batérie alebo modul, alebo či je prístroj správne zapojený do elektrickej zásuvky.

**Poznámka:** Na vypnutie meracieho prístroja možno použiť aj funkciu automatického vypnutia. Ďalšie informácie sú k dispozícii na webovej stránke výrobcu.

## 5.2 Zmena jazyka

K dispozícii sú tri možnosti nastavenia jazyka:

- Jazyk displeja sa nastavuje pri prvom zapnutí meracieho prístroja.
- Jazyk displeja sa nastavuje pri stlačení a podržaní hlavného vypínača.
- Jazyk možno zmeniť v ponuke nastavení.

1. Zvoľte jazyk zo zoznamu. Potvrďte pomocou **OK**.
2. Po dokončení aktualizácie stlačte tlačidlo **Done** (Hotovo).

## 5.3 Zmena dátumu a času

Dátum a čas sa dajú zmeniť pomocou ponuky Date & Time (Dátum a čas)

1. Stlačte tlačidlo **SETTINGS** (NASTAVENIA) a zvoľte možnosť Date & Time (Dátum a čas).
2. Aktualizujte informácie o čase a dátume:

Voľba	Popis
<b>Formát</b>	Zvoľte jeden z formátov pre dátum a čas: rrrr-mm-dd 24h rrrr-mm-dd 12h dd-mm-rrrr 24h dd-mm-rrrr 12h mm/dd/rrrr 24h mm/dd/rrrr 12h
<b>Dátum</b>	Zadajte aktuálny dátum
<b>Čas</b>	Zadajte aktuálny čas

Na displeji sa zobrazí aktuálny dátum a presný čas.

Po nastavení dátumu a času je merací prístroj pripravený na meranie.

## Odsek 6 Štandardná prevádzka

### 6.1 Použitie ID vzorky

Značka ID vzorky sa používa na priradenie meraní k miestu odberu vzorky. Ak je priradená, uložené údaje budú obsahovať toto ID.

1. V ponuke nastavení zvoľte **Sample ID** (ID vzorky).
2. Voľba, vytvorenie alebo vymazanie ID vzorky:

Voľba	Popis
<b>Current ID (Aktuálne ID)</b>	Zvoľte ID zo zoznamu. Aktuálne ID bude pridružené ku vzorke, kým sa nezvolí iné ID.
<b>Create a New Sample ID (Vytvoriť nové ID vzorky)</b>	Zadajte názov nového ID vzorky.
<b>Delete Sample ID (Vymazať ID vzorky)</b>	Vymaže existujúce ID vzorky.

### 6.2 Použitie ID obsluhy

Značka ID obsluhy pridružuje merania k príslušnému pracovníkovi obsluhy. Všetky uložené údaje budú obsahovať toto ID.

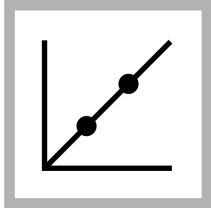
1. Zvoľte **Operator ID** (ID obsluhy) v ponuke nastavení.
2. Voľba, vytvorenie alebo vymazanie ID obsluhy:

Voľba	Popis
<b>Current ID (Aktuálne ID)</b>	Zvoľte ID zo zoznamu. Aktuálne ID bude pridružené ku vzorke, kým sa nezvolí iné ID.
<b>Create a New Operator ID (Vytvoriť nové ID obsluhy)</b>	Zadajte názov nové ID obsluhy (dá sa zadať maximálne 10 názvov).
<b>Delete Operator ID (Vymazať ID obsluhy)</b>	Vymaže existujúce ID obsluhy.

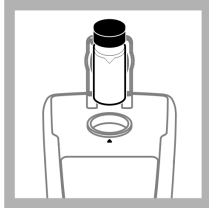
## Odsek 7 Rozšírená prevádzka

### 7.1 Kalibrácia turbidimetra pomocou štandardov StabiCal

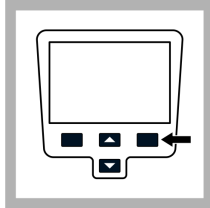
**Poznámka:** Pre čo najvyššiu presnosť použite pre všetky merania počas priebehu kalibrácie tú istú kyvetu na vzorku alebo štyri zhodujúce sa kyvetu na vzorku. Vložte kyvetu do priestoru prístroja na kyvetu tak, aby sa orientačná značka vyrovnala podľa orientačnej značky na prednej časti priestoru na kyvetu.



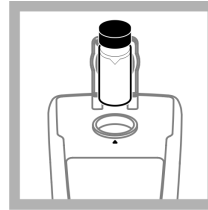
1. Stlačte tlačidlo **CALIBRATION** (KALIBRÁCIA) a prejdite do kalibračného režimu. Postupujte podľa pokynov na displeji. **Poznámka:** Pred vložením príslušného štandardu každý štandard opatrne obráťte.



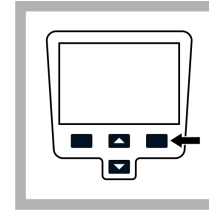
2. Vložte štandard 20 NTU StabiCal a zatvorte veko. **Poznámka:** Štandard, ktorý sa má vložiť je ohraničený.



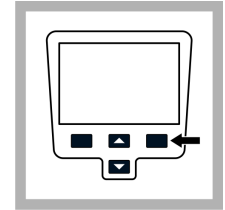
3. Stlačte **Read** (Načítať). Na displeji sa zobrazí hlásenie Stabilizing (Stabilizácia) a následne výsledok.



4. Kroky 2 a 3 zopakujte so štandardmi 100 NTU a 800 NTU StabiCal. **Poznámka:** Stlačte tlačidlo **Done** (Hotovo) a dokončíte 2-bodovú kalibráciu.



5. Stlačte tlačidlo **Done** (Hotovo) a skontrolujte podrobnosti o kalibrácii.





6. Pomocou tlačidla **Store** (Uložiť) výsledky uložíte. Po dokončení kalibrácie sa merací prístroj automaticky prepne do režimu Verify Cal (Overiť kal.). Ďalšie informácie sú k dispozícii na webovej stránke výrobcu.

### 7.2 Režimy merania

1. Pomocou tlačidla **UP** (HORE) alebo **DOWN** (DOLU) vstúpte do ponuky Reading Options (Možnosti merania).
2. Stlačte Reading Mode (Režim merania) a zvolte si jednu z nasledujúcich možností:

Vojba	Popis
<b>Normal (Normálny) (predvolené nastavenie)</b>	Normálny režim vykoná meranie a priemeruje tri výsledky merania. Po ukončení merania sa zobrazí výsledok.

Voľba	Popis
<b>Signal Average</b>  (Priemer signálu)	<p>Režim Signal Average (Priemer signálu) sa používa na meranie výkyvov spôsobených prechodom častíc vzorky cez dráhu svetla. Keď je určovanie priemeru signálu zapnuté, na displeji sa zobrazí ikona X.</p> <p>Režim Signal Average (Priemer signálu) vykonáva 12 meraní za sebou a priemernú hodnotu určí už po troch meraniach. Konečný výsledok je priemerom všetkých 12 meraní.</p>
<b>Rapidly Settling Turbidity (RST)</b> 	<p>Režim Rapidly Settling Turbidity (Rýchlo sedimentujúca turbidita, RST) vypočítava a kontinuálne aktualizuje namerané hodnoty turbidity vzorky so spoľahlivosťou 95 % na základe nahromadeného trendu hodnôt nameraných v reálnom čase.</p> <p>Režim RST je najvhodnejší v prípade rýchlo sedimentujúcich vzoriek s neustále sa meniacou hodnotou. Meranie je založené na správne pripravenej vzorke, ktorá je na začiatku merania homogénna. Použitie tejto metódy je najvhodnejšie v prípade vzoriek s hodnotami vyššími než 20 NTU. Vzorka musí byť bezprostredne pred vložením do meracieho prístroja dôkladne premiešaná prevracaním.</p> <p>Keď je režim Rapidly Settling Turbidity (Rýchlo sedimentujúca turbidita) zapnutý, na displeji sa zobrazí ikona v tvare terča.</p> <p>Režim Rapidly Settling Turbidity (Rýchlo sedimentujúca turbidita) vykonáva meranie a výpočet piatich meraní a zároveň zobrazuje priebežné výsledky.</p>

## Odsek 8 Údržba

### ▲ UPOZORNENIE



Viacnásobné nebezpečenstvo. Úkony popísané v tejto časti návodu smú vykonávať iba kvalifikovaní pracovníci.

### 8.1 Čistenie meracieho prístroja

Merací prístroj je navrhnutý tak, že si pri bežnej prevádzke nevyžaduje údržbu ani pravidelné čistenie. Podľa potreby možno vyčistiť vonkajší povrch.

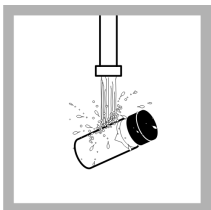
**Poznámka:** Merací prístroj nečistíte rozpúšťadlami. Mohli by spôsobiť poškodenie materiálu.

1. Merací prístroj očistíte suchou alebo mierne navlhčenou tkaninou, z ktorej sa neuvolňuje prach ani vlákna. Jemný mydlový roztok je taktiež možné použiť v prípade znečistenia, ktoré možno rozpustiť.

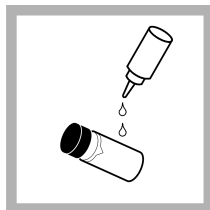
### 8.2 Nanosenie silikónového oleja na kyvetu

Kyvety na vzorky a ich uzávery musia byť mimoriadne čisté a bez viditeľných škrabancov. Nanosením tenkej vrstvy silikónového oleja na vonkajšiu stenu kyviet na vzorky zamaskujete malé nedostatky a škrabance, ktoré by mohli inak prispieť k rozptylu svetla.

**Poznámka:** Použite iba dodávaný silikónový olej. Tento silikónový olej má rovnaký index lomu ako má sklo kyviet na vzorky.



1. Očistite vnútornú a vonkajšiu časť kyviet a uzáverov pomocou laboratórneho čistiaceho prostriedku na sklo. Následne niekoľkokrát opláchnite destilovanou alebo demineralizovanou vodou.



2. Aplikujte malé množstvo silikónového oleja smerom od hornej časti až po spodok kyvety.



3. Na rovnomerné naniesenie oleja použite špeciálne dodávanú utierku na roztieranie oleja. Zvyšky oleja utrite tak, aby na povrchu kyviet ostala len tenká vrstva. Skontrolujte, či je kyveta na vzorku takmer úplne suchá, len s veľmi malou alebo priam neviditeľnou vrstvou oleja.  
**Poznámka:** Utierku na roztieranie oleja uchovávajte v plastovom odkladacom vrecúšku, aby sa nezašpinila.

### 8.3 Skladovanie kyviet na vzorky

#### POZNAMKA

Vzorkovacie kyvety nesušte na vzduchu.

**Poznámka:** Kyvety vždy skladujte so založenými uzávermi, aby nevyschli.

1. Naplňte kyvety na vzorky destilovanou alebo demineralizovanou vodou.
2. Zatvorte uzáver a kyvety na vzorky uskladnite.
3. Pretrite vonkajšiu časť kyviet na vzorky mäkkou tkaninou tak, aby ostala suchá.

### 8.4 Výmena batérií

#### ▲ VAROVANIE



Nebezpečenstvo výbuchu. Exspirovaná batéria môže spôsobiť hromadenie plyného vodíka vnútri prístroja. Batériu vymeňte pred expiráciou. Nástroj neskladujte dlhodobo s vloženou batériou.

#### ▲ VAROVANIE

Nebezpečenstvo vzniku požiaru. V meracom prístroji používajte iba alkalické batérie alebo nikel-metalhydridové batérie (NiMH). Pri použití batérií iného typu alebo pri ich nesprávnom vložení môže dôjsť k vznieteniu. V prístroji nikdy súčasne nepoužívajte batérie rôznych typov.

Postup pre výmenu batérií nájdete na [Inštalácia batérií](#) na strane 298.

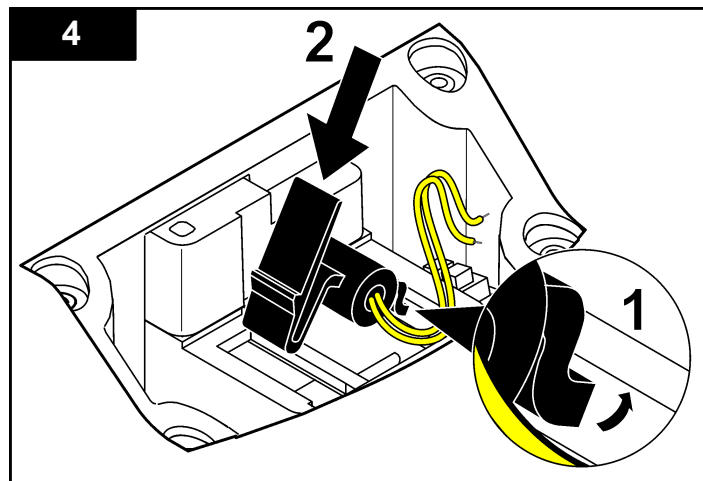
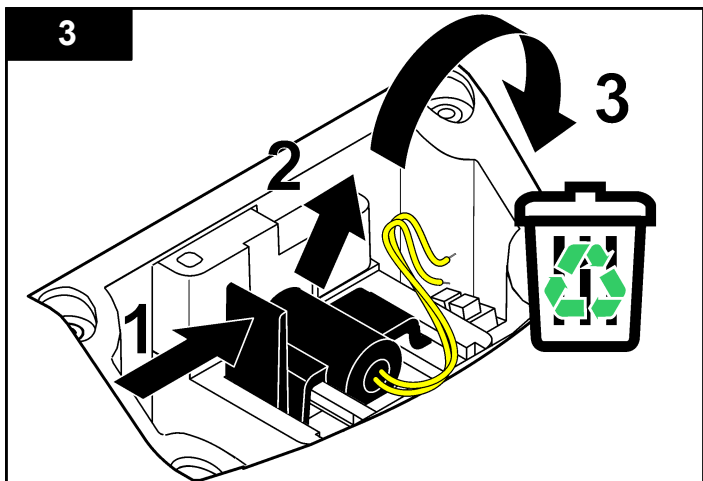
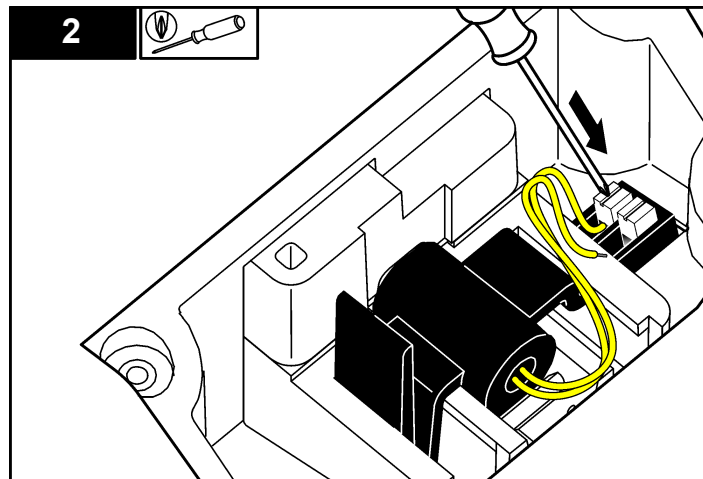
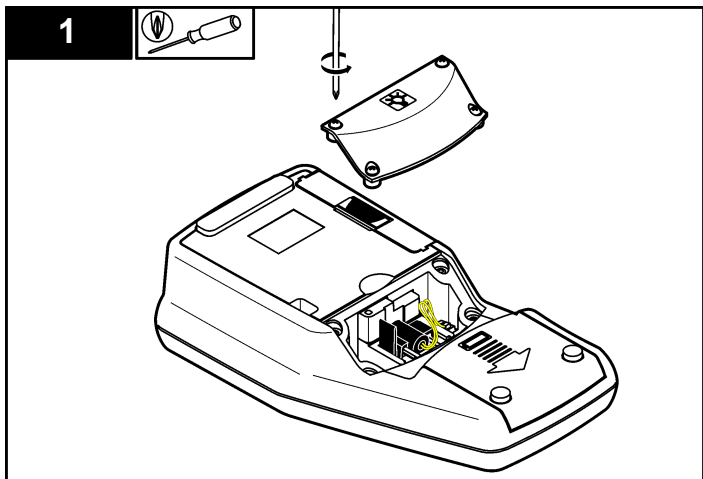
1. Odstráňte kryt batérií.
2. Vyberte batérie.
3. Vložte 4 alkalické alebo nikel-metalhydridové (NiMH) batérie typu AA. Skontrolujte správnu orientáciu nainštalovaných batérií.
4. Založte kryt batérií na miesto.

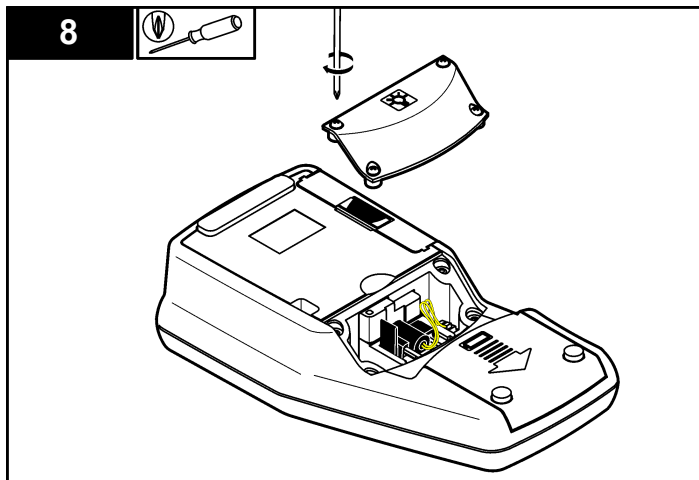
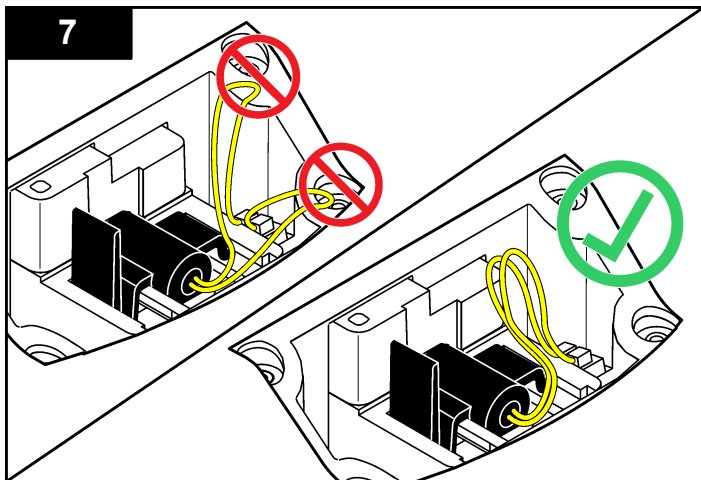
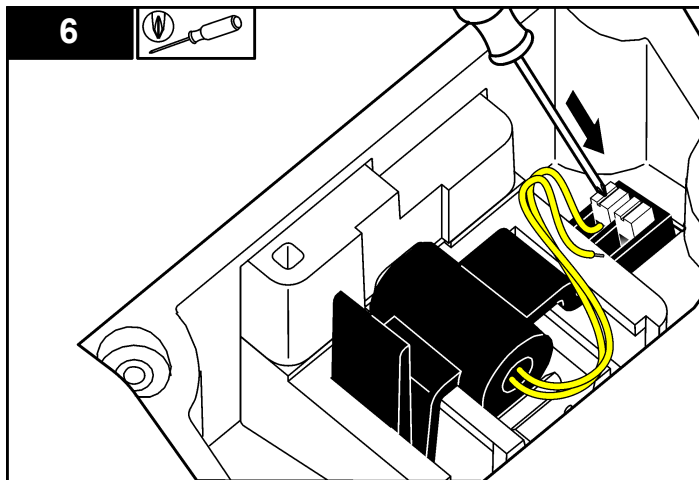
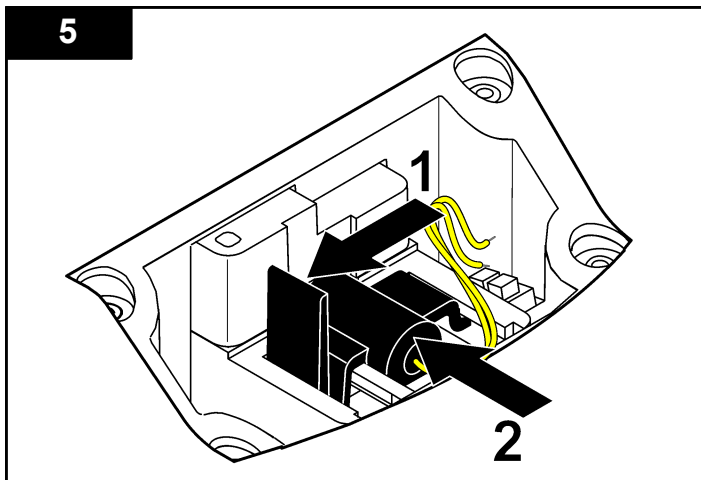
### 8.5 Výmena lampy

#### ▲ UPOZORNENIE

Nebezpečenstvo vzniku popálenín. Počkajte, kým žiarovka vychladne. Pri kontakte s horúcou žiarovkou hrozí nebezpečenstvo popálenia.







## Odsek 9 Riešenie problémov

Bežné správy o problémoch alebo symptómoch, možné príčiny a nápravné opatrenia nájdete v nasledujúcej tabuľke.

Chyba/Výstraha	Popis	Riešenie
<b>Zatvorte veko a stlačte Read (Načítať).</b>	Veko je otvorené alebo zlyhala detekcia veka.	Skontrolujte, či je veko počas merania zatvorené a meranie zopakujte.
<b>Low Battery!</b> (Nízka kapacita batérie!)	Vybité batérie.	<ul style="list-style-type: none"> <li>• Vložte nové batérie</li> <li>• V prípade použitia nabíjateľných batérií pripojte USB/napájací modul</li> </ul>
<b>ADC Failure!</b> (Chyba ADC!)	Chyba hardvéru spôsobuje zlyhávanie merania.	Opakujte meranie.
<b>Detector signal too low!</b> (Signál detektora je príliš nízky!)	Nedostatočné svetlo na detektore pri 180°.	<ul style="list-style-type: none"> <li>• Skontrolujte prekážky v dráhe svetla.</li> <li>• Skontrolujte žiarovku.</li> </ul>
<b>Overrange!</b> (Nad rozsahom!)	Príliš vysoká turbidita – zapríčinená pravdepodobne kalibráciou len pomocou RapidCal.	<ul style="list-style-type: none"> <li>• Nakalibrujte horný rozsah.</li> <li>• Zriedte vzorku.</li> </ul>
<b>Underange!</b> (Pod rozsahom!)	Nameraná absorbanca je pod rozsahom kalibrácie.	Opakujte kalibráciu

Chyba/Výstraha	Popis	Riešenie
<b>Please check the lamp!</b> (Skontrolujte lampu!)	Signály na detektore pri 90° a 180° sú príliš nízke.	<b>2100Q:</b> Lampa je chybná. Vymeňte lampu (pozri <a href="#">Výmena lampy</a> na strane 304). <b>2100Qis:</b> Obráťte sa na technickú podporu.
<b>Temperature too high! Switch off instrument.</b> (Príliš vysoká teplota! Vypnite prístroj.)	Teplota presiahla limitné hodnoty meracieho prístroja (>60 °C alebo >140 °F).	Vypnite merací prístroj a počkajte, kým vychladne.
<b>RST: Average value!</b> (RST: Priemerná hodnota!)	Pevné častice sa usádzajú príliš pomaly. Režim merania nie je vhodný pre túto vzorku.	Zvoľte režim merania Normal (Normálny) alebo Signal Average (Priemer signálu).
<b>Confidence level is &lt; 95%</b> (Úroveň spoľahlivosti je < 95 %)	Režim merania Rapidly Settling Turbidity (Rýchlo sedimentujúca turbidita, RST) nespĺnila úroveň spoľahlivosti ≥ 95 %.	<ul style="list-style-type: none"> <li>• Vzorku niekoľkokrát prevráťte, aby sa pevné častice oddelili. Znovu zopakujte meranie.</li> <li>• Pokiaľ je vzorka stabilná a neobsahuje usadeniny, prepnite režim merania na Normal (Normálny).</li> </ul>

Chyba/Výstraha	Popis	Riešenie
<b>Standard value out of range. Insert standard and push Read</b> (Hodnota štandardu mimo rozsahu. Vložte štandard a stlačte Načítať)	Použitá nesprávna hodnota štandardu pre meranie.	Vložte príslušný štandard a zopakujte meranie.
<b>ID already in use. Enter new ID</b> (ID sa už používa. Zadajte nové ID)	ID obsluhy alebo vzorky už bolo priradené a nie je viac dostupné.	Vytvorte nové ID.
<b>Error - Security Please set password before activating security</b> (Chyba – Zabezpečenie Pred aktivovaním zabezpečenia si nastavte heslo)	Nebolo vytvorené žiadne heslo.	Vytvorte nové heslo.
<b>Please enter at least one character.</b> (Zadajte aspoň jeden znak.)	Heslo musí obsahovať minimálne jeden znak.	Vytvorte heslo, ktoré bude obsahovať minimálne jeden znak.
<b>Password incorrect. Please retry.</b> (Heslo je nesprávne. Skúste to znova.)	Užívateľ zadal nesprávne heslo.	Zadajte príslušné heslo.
<b>Please disconnect the USB cable from your computer.</b> (Odpojte kábel USB od počítača.)	Ukladanie údajov neprebieha, pokiaľ je kábel pripojený k meraciemu prístroju a počítaču.	Odpojte kábel USB od meracieho prístroja a znovu zopakujte odoslanie dát.

Chyba/Výstraha	Popis	Riešenie
<b>USB module memory full. Delete data and try again.</b> (Pamäť USB modulu je plná. Vymažte dáta a skúste to znova.)	Kapacita pre ukladanie dát je vyčerpaná.	<ol style="list-style-type: none"> <li>1. Pripojte USB/napájací modul k počítaču.</li> <li>2. Stiahnite uložené dáta do počítača.</li> <li>3. Vymažte protokol dát na module.</li> </ol>

Chyba/Výstraha	Popis	Riešenie
<b>Delete Last Reading Failed!</b> (Zmazanie posledného mearnia zlyhalo!)	Chyba pri ukladaní údajov.	Vypnite a zapnite merací prístroj. Ak chybové hlásenie pretrváva, kontaktujte technickú podporu.
<b>Delete Data Log failed!</b> (Zmazanie protokolu dát zlyhalo!)		
<b>Can't read data set!</b> (Súbor dát sa nedá načítať!)		
<b>Can't store data!</b> (Dáta sa nedajú uložiť!)		
<b>Can't store to the Reading Log!</b> (Uloženie do protokolu dát nie je možné!)		
<b>Can't store to the Verify Cal Log!</b> (Uloženie do denníka overenia kalibrácie nie je možné!)		
<b>Error storing data!</b> (Pri ukladaní dát došlo k chybe!)		
<b>Error reading data!</b> (Pri načítaní dát došlo k chybe!)		

## Sadržaj

- |   |   |   |   |
|---|---|---|---|
| 1 | <a href="#">Specifikacije</a> na stranici 310                   | 6 | <a href="#">Standardni rad</a> na stranici 317      |
| 2 | <a href="#">Opći podaci</a> na stranici 311                     | 7 | <a href="#">Napredni rad</a> na stranici 318        |
| 3 | <a href="#">Instalacija</a> na stranici 314                     | 8 | <a href="#">Održavanje</a> na stranici 319          |
| 4 | <a href="#">Korisničko sučelje i navigacija</a> na stranici 315 | 9 | <a href="#">Rješavanje problema</a> na stranici 323 |
| 5 | <a href="#">Pokretanje</a> na stranici 316                      |   |   |

## Odjeljak 1 Specifikacije

Specifikacije se mogu promijeniti bez prethodne najave.

Specifikacije	Pojedinosti
Metoda mjerenja	Određivanje omjera zamućenosti koristi primarni nefelometrijski signal raspršenog svjetla(90°) za prenijeti signal raspršenog svjetla.
Regulativa	<b>2100Q:</b> odgovara EPA metodi 180.1
Lampa	<b>2100Q:</b> lampa s niti od volframa <b>2100Qis:</b> Dioda koja emitira svjetlo (LED)
Raspon	0–1000 NTU (FNU)
Preciznost	±2% očitavanja plus raspršeno svjetlo od 0–1000 NTU (FNU)
Mogućnost ponavljanja	±1% očitavanja ili 0.01 NTU (FNU), koji god je veći
Moć razdavanja	0.01 NTU na najnižem rasponu
Rasprš. svjetla	≤ 0.02 NTU (FNU)
Usrednjavanje signala	Selektivno uključivanje ili isključivanje
Detektor	Silikonska fotodioda

Specifikacije	Pojedinosti
Kategorija prenapona	II
Visina	Maksimalno 2000 m (6562 ft)
Načini očitavanja	Normalno (Pritisni za očitavanje), Usrednjavanje signala ili Rapidly Settling Turbidity (Brzo taloženje zamućenosti)
Opcije kalibracije	Pojedinačni korak RapidCal za zakonskog izvješćivanja za nisku razinu od 0–40 NTU (FNU) Puni raspon kalibracije od 0–1000 NTU (FNU) Kalibracija prema stupnjevima zamućenosti
Zapisnik kalibracije	Bilježi zadnjih 25 uspješnih kalibracija
Zapisnik verifikacije	Zapisuje zadnjih 250 uspješnih verifikacija
Zapisnik podataka	500 zapisa
Potrošnja struje	Baterijsko napajanje: najviše 6 VDC (4 NiMH 1,2 V AA baterije ili 4 alkalne 1,5 V AA baterije) Vanjsko napajanje: 100–240 VAC ± 10%; izlaz 5 W (9 VDC, maks. 600 mA)
Radni uvjeti	Temperatura: 0 to 50 °C (32 do 122 °F) Relativna vlažnost: 0–90% na 30 °C, 0–80% na 40 °C, 0–70% na 50 °C, nekondenzirajuće
Uvjeti spremanja	–40 to 60 °C (–40 to 140 °F), samo instrument
Sučelje	Opcionalno UBS
Potreban uzorak	15 mL (0,5 oz.)

Specifikacije	Pojedinosti
Kivete za uzorak	Okrugle kivete 60 x 25 mm (2,36 x 1 inč) bortosilikatno staklo s čepovima na navijanje
Dimenzije	22,9 x 10,7 x 7,7 cm (9,0 x 4,2 x 3,0 inča)
Težina	530 g (1,17 lb) bez baterija 620 g (1,37 lb) s 4 AA alkalne baterije
Oznaka obuhvaćenosti mjeračem	IP67 (zatvoreni poklopac i izuzet pretinac modula)
Klasa zaštite	2100Q/is: Klasa III Napajanje: Klasa II
Razina zagađenja	2
Okolni uvjeti	Unutarnja i vanjska uporaba
Certifikati	CE certificirano
Jamstvo	1 godina (EU: 2 godine)

## Odjeljak 2 Opći podaci

Ni u kojem slučaju proizvođač neće biti odgovoran za direktne, indirektne, specijalne, slučajne ili posljedične štete uzrokovane nedostacima ili propustima u ovom priručniku. Proizvođač zadržava pravo na izmjene u ovom priručniku te na opise proizvoda u bilo kojem trenutku, bez prethodne najave ili obaveze. Izmijenjena izdanja se nalaze na proizvođačevoj web stranici.

### 2.1 Sigurnosne informacije

Proizvođač nije odgovoran za štetu nastalu nepravilnom primjenom ili nepravilnom upotrebom ovog proizvoda, uključujući, bez ograničenja, izravnu, slučajnu i posljedičnu štetu, te se odriče odgovornosti za takvu štetu u punom opsegu, dopuštenom prema primjenjivim zakonima. Korisnik ima isključivu odgovornost za utvrđivanje kritičnih rizika

primjene i za postavljanje odgovarajućih mehanizama za zaštitu postupaka tijekom mogućeg kvara opreme.

Prije raspakiravanja, postavljanja ili korištenja opreme pročitajte cijeli ovaj korisnički priručnik. Poštujte sva upozorenja na opasnost i oprez. Nepoštivanje ove upute može dovesti do tjelesnih ozljeda operatera ili oštećenja na opremi.

Uvjerite se da zaštitna koja se nalazi uz ovu opremu nije oštećena. Ne koristite i ne instalirajte ovu opremu na bilo koji način koji nije naveden u ovom priručniku.

### 2.2 Korištenje informacija opasnosti

#### **▲ OPASNOST**

Označava potencijalno ili neposredno opasnu situaciju koja će, ako se ne izbjegne, dovesti do smrti ili ozbiljnih ozljeda.

#### **▲ UPOZORENJE**

Označava potencijalno ili neposredno opasnu situaciju koja će, ako se ne izbjegne, dovesti do smrti ili ozbiljnih ozljeda.

#### **▲ OPREZ**




Označava potencijalno opasnu situaciju koja će dovesti do manjih ili umjerenih ozljeda.

#### **OBAVIJEST**

Označava situaciju koja, ako se ne izbjegne će dovesti do oštećenja instrumenta. Informacije koje je potrebno posebno istaknuti.

### 2.3 Oznake mjera predostrožnosti

Pročitajte sve naljepnice i oznake na instrumentu. Ako se ne poštuju, može doći do tjelesnih ozljeda ili oštećenja instrumenta. Simbol na instrumentu odgovara simbolu u priručniku uz navod o mjerama predostrožnosti.

	Ovo je sigurnosni simbol upozorenja. Kako biste izbjegli potencijalne ozljede poštujujte sve sigurnosne poruke koje slijede ovaj simbol. Ako se nalazi na uređaju, pogledajte korisnički priručnik za rad ili sigurnosne informacije.
	Ovaj simbol naznačuje da postoji opasnost od električnog i/ili strujnog udara.
	Električna oprema označena ovim simbolom ne smije se odlagati u europskim domaćim ili javnim odlagalištima. Staru ili isteklu opremu vratite proizvođaču koji će je odložiti bez naknade.

## 2.4 Usklađenost i certifikati

### ▲ OPREZ

Ova oprema nije namijenjena za upotrebu u stambenim područjima i možda neće pružiti odgovarajuću zaštitu za radijski prijam u takvim okruženjima.

#### Kanadska odredba o opremi koja uzrokuje smetnje, ICES-003, klasa A:

Izvješća s testiranja nalaze se kod proizvođača.

Ovo digitalno pomagalo klase A udovoljava svim zahtjevima Kanadskog zakona o opremi koja uzrokuje smetnje.

Cet appareil numérique de classe A répond à toutes les exigences de la réglementation canadienne sur les équipements provoquant des interférences.

#### FCC dio 15, ograničenja klase "A"

Izvješća s testiranja nalaze se kod proizvođača. Uređaj je sukladan s dijelom 15 FCC pravila. Rad uređaja mora ispunjavati sljedeće uvjete:

1. Oprema ne smije uzrokovati štetne smetnje.
2. Oprema mora prihvatiti svaku primljenu smetnju, uključujući smetnju koja može uzrokovati neželjen rad.

Zbog promjena ili prilagodbi ovog uređaja koje nije odobrila stranka nadležna za sukladnost korisnik bi mogao izgubiti pravo korištenja opreme. Ova je oprema testirana i u skladnosti je s ograničenjima za digitalne uređaje klase A, koja su u skladu s dijelom 15 FCC pravila. Ta ograničenja su osmišljena da bi se zajamčila razmjerna zaštita od štetnih smetnji kada se oprema koristi u poslovnom okruženju. Ova oprema proizvodi, koristi i odašilje energiju radio frekvencije, te može prouzročiti smetnje u radio komunikaciji ako se ne instalira i koristi prema korisničkom priručniku. Koristite li ovu opremu u naseljenim područjima ona može prouzročiti smetnje, a korisnik će sam snositi odgovornost uklanjanja smetnji o vlastitom trošku. Sljedeće tehnike mogu se koristiti kao bi se smanjili problemi uzrokovani smetnjama:

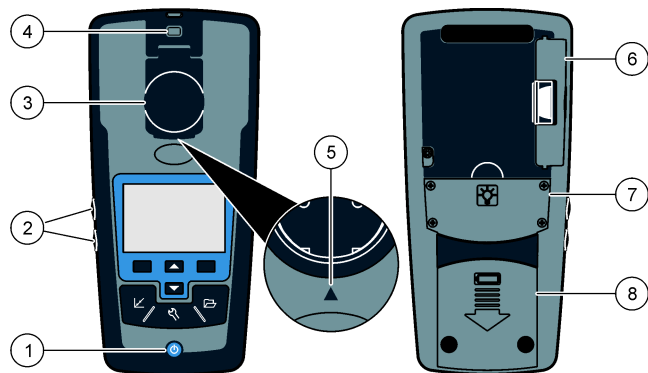
1. Isključite opremu iz izvora napajanja kako biste provjerili je li ili nije uzrok smetnji.
2. Ako je oprema uključena u istu utičnicu kao i uređaj kod kojeg se javljaju smetnje, uključite opremu u drugu utičnicu.
3. Odmaknite opremu od uređaja kod kojeg se javljaju smetnje.
4. Promijenite položaj antene uređaja kod kojeg se javljaju smetnje.
5. Isprobajte kombinacije gore navedenih rješenja.

## 2.5 Prikaz proizvoda

Prijenosni 2100Q i 2100Q mjerači zamućenosti mjere zamućenost od 0 do 1000 NTU (FNU). Primarno za uporabu na licu mjesta, mjerač radi s 4 AA baterije Podaci se mogu spremati i prenijeti na pisač, računalo ili USB uređaj za pohranu.



Slika 1 Prikaz proizvoda

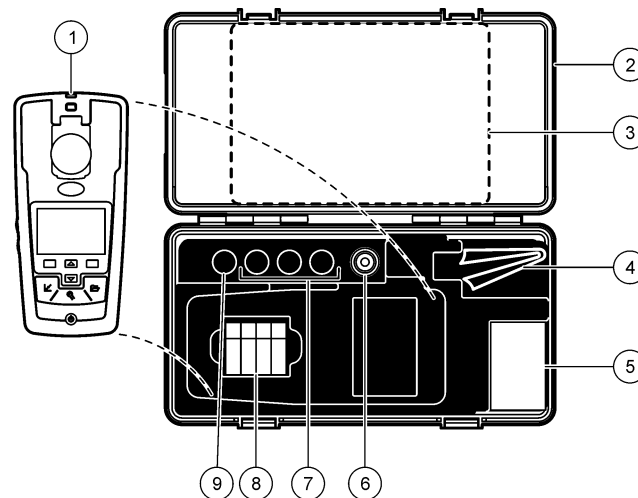


1	Uključivanje ili isključivanje napajanja	5	Strelica za poravnanje
2	Tipke pozadinskog svijetla (+ i -)	6	Modul
3	Držač kivete za uzorak s poklopcem	7	Pretinac svjetiljke
4	Priključak za vezicu	8	Pretinac baterije

## 2.6 Komponente proizvoda

Pogledajte u [Slika 2](#) kako biste bili sigurni da su vam dostavljene sve komponente. Ako bilo koji od ovih elemenata nedostaje ili je oštećen, odmah kontaktirajte proizvođača ili prodajnog zastupnika.

Slika 2 2100Q i 2100Qsu komponente



1	2100Q ili 2100Qsu turbidimetri (mjeraci zamućenosti)	6	silikonsko ulje
2	Torba za nošenje	7	20, 100 i 800 NTU StabiCal kalibracijski standardi
3	Korisnički priručnik i Brzi referentni priručnik	8	AA alkalne baterije (pk/4)
4	Nauljena krpa	9	StabiCal 10 NTU verifikacijski standard
5	kiveta za uzorak od 1" (10 mL) s poklopcem (pk/6)		

## Odjeljak 3 Instalacija

### ▲ OPREZ



Višestruka opasnost. Zadatke opisane u ovom odjeljku priručnika treba obavljati isključivo kvalificirano osoblje.

### 3.1 Instaliranje baterije

#### ▲ UPOZORENJE



Opasnost od eksplozije. Istrošena baterija može uzrokovati nakupljanje vodika unutar instrumenta. Zamijenite bateriju prije nego što se istroši. Instrument nemojte pohranjivati na duže vrijeme s umetnutom baterijom.

#### ▲ UPOZORENJE

Opasnost od požara. U mjerачu koristite samo alkalne ili nikal-metal-hidridne (NiMH) baterije. Druge vrste baterija ili nepravilno umetanje mogu izazvati požar. U mjerач nikad nemojte umetati različite vrste baterija.

#### OBAVIJEST

Odjeljak za baterije nije vodootporan. Ako se odjeljak za baterije smoči, izvadite i osušite baterije i unutrašnjost odjeljka. Provjerite ima li korozije na kontaktima baterija i po potrebi ih očistite.

#### OBAVIJEST

Kad koristite nikal-metal-hidridne (NiMH) baterije, ikona baterije neće pokazivati da su baterije potpuno napunjene nakon što umetnete svježe napunjene baterije (NiMH baterije imaju 1,2 V, a alkalne 1,5 V). Iako ikona ne označava potpunu napunjenost, 2300 mAh NiMH baterije dostići će 90 % trajanja instrumenta (prije ponovnog punjenja) nasuprot novih alkalnih baterija.

#### OBAVIJEST

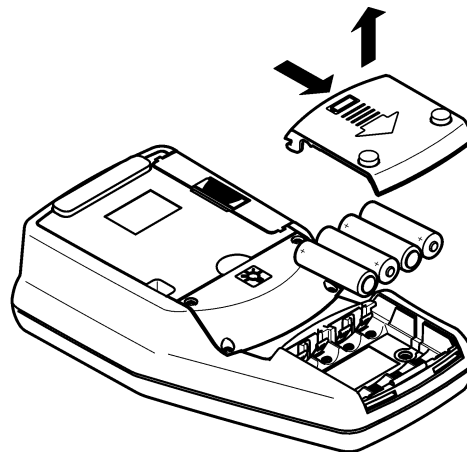
Za izbjegavanje potencijalne štete na mjerачu uzrokovane curenjem baterija prije dužih perioda kad ga nećete koristiti izvadite baterije.

Mjerač može raditi uz pomoć AA alkalnih ili punjivih NiMH baterija. Za očuvanje vijeka trajanja baterije mjerач se isključuje nakon 10 minuta neaktivnosti, pozadinsko svjetlo isključuje se nakon 30 sekundi. To vrijeme možete promijeniti u izborniku Upravljanje napajanjem. **Napomena:** Baterije koje se mogu puniti, pune se samo s USB/modulom za napajanje. Za dodatne informacije pogledajte dokumentaciju modula.

Više o umetanju baterija potražite na [Slika 3](#).

1. Uklonite pokrov baterije.
2. Ugradite 4 AA alkalne ili 4 nikal-metal-hidridne (NiMH) baterije. Osigurajte da su baterije ugrađene u točnoj orijentaciji.
3. Vratite poklopac baterije.

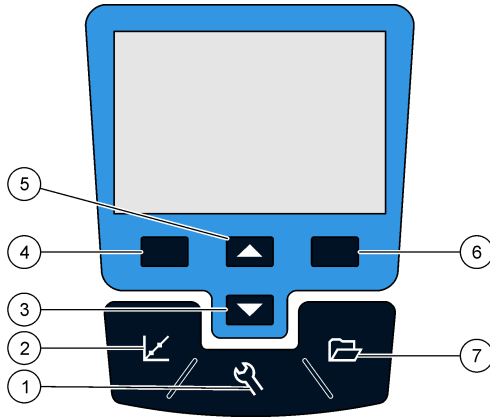
**Slika 3 Umetanje baterija**



## Odjeljak 4 Korisničko sučelje i navigacija

### 4.1 Korisničko sučelje

Slika 4 Opis tipkovnice

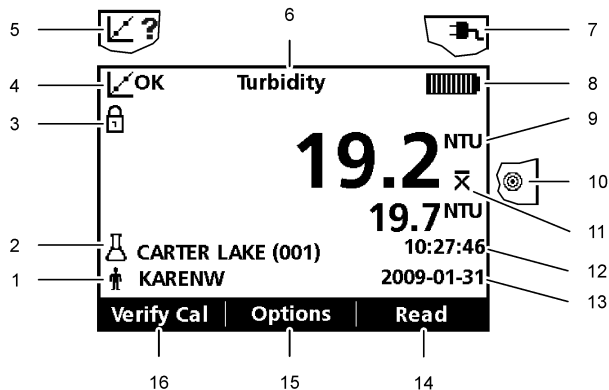


### 4.2 Opis zaslona

Zaslon mjerenja prikazuje zamućenost, jedinicu, status kalibracije, datum i vrijeme, ID operatera (ako je postavljen) i ID uzorka (ako je postavljen). Pogledajte [Slika 5](#).

<b>1</b> Tipka <b>SETTINGS (POSTAVKE)</b> : odabire izbornik s opcijama za postavljanje mjerača	<b>5</b> Tipka <b>UP (GORE)</b> : pomicanje kroz izbornike, unos brojeva i slova
<b>2</b> Tipka <b>CALIBRATION (KALIBRACIJA)</b> : prikazuje zaslon kalibracije, početak kalibracije, odabir opcija kalibracije	<b>6</b> Tipka <b>RIGHT (DESNO)</b> (kontekstualno): čitanje uzorka zamućenosti, odabir ili potvrda opcija, otvaranje/skok u podizbornike
<b>3</b> Tipka <b>DOWN (DOLJE)</b> : pomicanje kroz izbornike, unos brojeva i slova	<b>7</b> Tipka <b>DATA MANAGEMENT (UPRAVLJANJE PODACIMA)</b> : prikaz, brisanje ili prijenos spremljenih podataka
<b>4</b> Tipka <b>LEFT (LIJEVO)</b> (kontekstualno): pristup za verifikaciju kalibracije, poništavanja ili izlaz iz trenutnog zaslona izbornika u prethodni zaslon izbornika	

Slika 5 Jedan prikaz zaslona



1 Identifikacija operatera	9 NTU (Nephelometric Turbidity Unit) ili FNU (Formazin Turbidity Unit)
2 Jednostavna identifikacija	10 Način očitavanja: Brzo taloženje zamućenosti (ikona Target (Cilj))
3 Indikator blokade stabilnosti ili zaslona	11 Način očitavanja: Usrednjavanje signala (ikona x-traka)
4 Indikator statusa kalibracije (Calibration OK=pass (Kalibracija U REDU=prolaz))	12 Vrijeme
5 Indikator statusa kalibracije (Calibration ?=fail (Kalibracija ?=nije uspelo))	13 Datum
6 Naziv parametra	14 Očitavanje (kontekstualno: OK, Select (U REDU; Odaberi))
7 Ikona AC napajanja	15 Opcije (kontekstualno)
8 Ikona baterije	16 Verifikacija kalibracije


### 4.3 Navigacija

Za promjenu različitih opcija mjerač sadži izbornik Settings (Postavke), izbornik Reading Options (Opcije očitavanja), izbornik Calibration Options (Opcije kalibracije) i izbornik Calibration Verification Options (Opcije verifikacije kalibracije). Za označavanje različitih opcija koristite tipke **UP (GORE)** i **DOWN (DOLJE)**. Za odabir opcije pritisnite tipku **RIGHT (DESNO)**. Postoje dva načina za promjenu opcija:

1. Odaberite opciju s popisa: za odabir opcije koristite tipke **UP (GORE)** i **DOWN (DOLJE)**. Ako su prikazani potvrdni okviri, može se odabrati više od jedne opcije. Pritisnite tipku **LEFT (LIJEVO)** pod Select (Odabir).  
*Napomena: Za odznačavanje potvrdnih okvira pritisnite tipku **LEFT (LIJEVO)** pod Deselect (Odznači)*
2. Unesite vrijednost opcije korištenjem tipki strelica: Za unos ili promjenu vrijednosti pritisnite **UP (GORE)** i **DOWN (DOLJE)**.
3. Pritisnite tipku **RIGHT (DESNO)** za odlazak na sljedeće mjesto.
4. Za prihvrat vrijednosti pritisnite tipku **RIGHT (DESNO)** pod **OK (U REDU)**.

## Odjeljak 5 Pokretanje

### 5.1 Uključite i isključite mjerač.

 Za uključivanje ili isključivanje mjerača pritisnite tipku **ON/OFF (UKLJUČIVANJE/ISKLUČIVANJE)**. Ako se mjerač ne uključuje, provjerite da su baterije ili modul pravilno umetnuti i da je AC napajanje pravilno priključeno na zidnu utičnicu.

*Napomena: Opcija Auto-Shutoff (Automatsko isključivanje) također se može koristiti za isključivanje mjerača. Dodatne informacije dostupne su na web-mjestu proizvođača.*

## 5.2 Promjena jezika

Postoje tri opcije za postavljanje jezika:

- Jezik zaslona odabran je kad se po prvi put uključi mjerač.
- Jezik zaslona je odabran kad se pritisne i drži tipka za napajanje.
- Jezik može biti promijenjen u izborniku Settings (Postavke).

1. Odaberite jezik s popisa. Potvrdite pomoću **OK (U redu)**.
2. Kad je ažuriranje dovršeno pritisnite **Done (Završeno)**

## 5.3 Promjena datuma i vremena

Datum i vrijeme mogu se promijeniti u izborniku Date & Time (Datum i Vrijeme).

1. Pritisnite tipku **SETTINGS (POSTAVKE)** i odaberite Date & Time (Datum i vrijeme).
2. Ažurirajte podatke o vremenu i datumu:

Opcija	Opis
<b>Format</b>	Odaberite jedan od formata za datum i vrijeme: gggg-mm-dd 24 sata gggg-mm-dd 12 sati dd-mm-gggg 24 sata dd-mm-gggg 12 sati mm/dd/gggg 24 sata mm/dd/gggg 12 sati
<b>Datum</b>	Unesite trenutačni datum
<b>Vrijeme</b>	Unesite trenutačno vrijeme

Trenutačni datum i vrijeme prikazuju se na zaslonu.

Nakon postavljanja datuma i vremena, mjerač je spreman za očitavanje.

## Odjeljak 6 Standardni rad

### 6.1 Koristite ID uzorka

Oznaka ID uzorka se koristi za pridruživanje očitavanja s određenom lokacijom uzorka. Ako je pridruženo, pohranjeni podaci uključivat će ovaj ID.

1. Odaberite **ID uzorka** u izborniku Settings (Postavke).
2. Odabire, izrađuje i briše ID uzorka:

Opcija	Opis
<b>Trenutačni ID</b>	Odaberite ID s popisa. Trenutačni ID bit će pridružen s podacima uzorka sve dok se ne odabere drugačiji ID.
<b>Izradi novi ID uzorka</b>	Unesite naziv za novi ID uzorka.
<b>Obriši ID uzorka</b>	Briše postojeći ID uzorka.

### 6.2 Korištenje ID operatera

Oznaka ID operatera pridružuje očitavanja s pojedinačnim operaterom. Svi pohranjeni podaci uključuju ovaj ID.

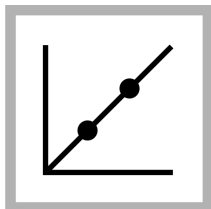
1. Odaberite **ID operatera** u izborniku Settings (Postavke).
2. Odabire, izrađuje i briše ID operatera.

Opcija	Opis
<b>Trenutačni ID</b>	Odaberite ID s popisa. Trenutačni ID bit će pridružen s podacima uzorka sve dok se ne odabere drugačiji ID.
<b>Izradi novi ID operatera</b>	Unosi naziv za novi ID operatera (može se unesti maksimalno 10 naziva).
<b>Obriši ID operatera</b>	Briše postojeći ID operatera.

## Odjeljak 7 Napredni rad

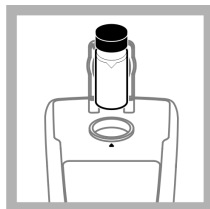
### 7.1 Kalibriranje turbidometra sa standardima Stabi-Cal

**Napomena:** Za najbolju točnost koristite istu kivetu s uzorkom ili četiri odgovarajuće kivete s uzorkom za sva očitavanja tijekom kalibracije. Umetnite kivetu za uzorak u pretinac za kivetu u instrumentu tako kvadratna ili orijentacijska oznaka poravnata s izdignutom orijentacijskom oznakom na prednjem dijelu pretinca za kivetu.

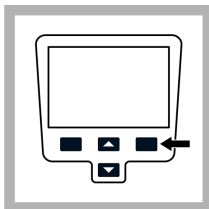


1. Za unos kalibracije pritisnite tipku **CALIBRATION (KALIBRACIJA)**. Slijedite upute na zaslonu.

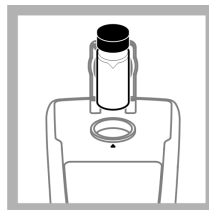
**Napomena:** Lagano prevrnite svaki standard prije umetanja standarda.



2. Umetnite 20 NTU Stabi-Cal Standard i zatvorite poklopac. **Napomena:** Standard koji se umeće je ograničen.

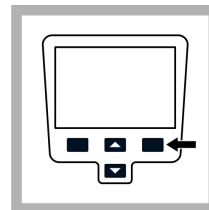


3. Pritisnite **Read (Očitaj)**. Zaslom prikazuje Stabiliziranja i potom prikazuje rezultat.

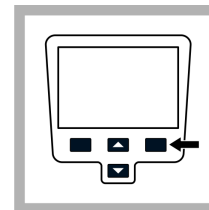


4. Ponovite 2. i 3. korak s 100 NTU i 800 NTU Stabi-Cal Standard.

**Napomena:** Za dovršetak 2 točke kalibracije pritisnite **Done (Završeno)**.



5. Za pregled detalja kalibracije pritisnite **Done (Završeno)**.





6. Za spremanje rezultata pritisnite **Save (Spremi)**. Nakon što je kalibracija dovršena, mjerač automatski prelazi u način rada Verifi Cal (Potvrda kalibracije). Dodatne informacije dostupne su na web-mjestu proizvođača.

### 7.2 Načini očitavanja

1. Za ulaz u izbornik Reading Options (Opcije očitavanja) pritisnite **UP (GORE)** ili **DOWN (DOLJE)**.
2. Odaberite način očitavanja radi odabira jedne od sljedećih opcija:

Opcija	Opis
<b>Normal (Normalno) (zadana postavka)</b>	Uobičajeni način očitava i uzima prosjek tri očitavanja. Rezultat je prikazan nakon očitavanja.

Opcija	Opis
<b>Usrednjavanje signala</b> 	<p>Način usrednjavanja signala kompenzira fluktuacije očitavanja uzrokovane prolaskom čestica uzorka kroz put svjetla.</p> <p>Ikona X-trake je prikazana na zaslonu kad je uključeno usrednjavanje signala.</p> <p>Način usrednjavanja signala mjeri 12 puta i nakon tri očitavanja započinje prikaz prosjeka. Završni račun je prosjek svih 12 očitavanja.</p>
<b>Rapidly Settling Turbidity (RST)</b> 	<p>Način Rapidly Settling Turbidity (Brzo taloženje zamućenosti (RST)) izračunava i neprekidno ažurira očitavanja zamućenosti uzorka do pouzdanosti od 95%, na temelju akumuliranog pravca razvoja vrijednosti mjerenih u stvarnom vremenu.</p> <p>Način RST je najbolje koristiti na uzorcima koji se brzo talože i neprekidno mijenjaju vrijednost. Očitavanja se temelje na ispravno pripremljenom uzorku koji je homogen na početku očitavanja. Najbolje je primijeniti na uzorke koji su veći od 20 NTU. Uzorak mora biti temeljito inverzivno izmiješan odmah prije umetanja u mjerač.</p> <p>Ikona cilja prikazana je na zaslonu kad je uključeno brzo taloženje zamućenosti.</p> <p>Brzo taloženje zamućenosti očitava i izračunava pet očitavanja dok prikazuje srednje rezultate.</p>

## 8.1 Očistite mjerač

Mjerač za normalan rad ne zahtjeva nikakvo održavanje niti redovno čišćenje. Vanjske površine mjerača mogu se po potrebi očistiti.

**Napomena:** Kako biste izbjegli oštećenje materijala nemojte mjerač čistiti s otapalima.


- Očistite mjerač s krpom na kojoj nema prašine ili dlačica, ili je lagano navlažena. Također se može koristiti i blaga sapunica za liposolubilnu kontaminaciju.

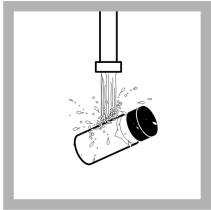
## 8.2 Primjena silikonskog ulja na kiveti za uzorak

Kivete za uzorak i čepovi moraju biti izrazito čisti i bez značajnijih ogrebotina. Nanesite tanki premaz silikonskog ulja na vanjsku stranu kiveta za uzorak radi skrivanja manjih nedostataka i ogrebotina koje mogu doprinijeti rasipanju.

**Napomena:** Koristite samo isporučeno silikonsko ulje. Ovo silikonsko ulje ima isti indeks loma poput stakla kivete za uzorak.

## Odjeljak 8 Održavanje

▲ OPREZ	
	<p>Višestruka opasnost. Zadatke opisane u ovom odjeljku priručnika treba obavljati isključivo kvalificirano osoblje.</p>



1. Očistite vanjsku i unutrašnju stranu kiveta i čepova na način da ih operete s deterdžentom za čišćenje laboratorijskog stakla. Potom višestruko isperite s destiliranom ili demineraliziranom vodom



2. Nanesite mali sloj silikonskog ulja od vrha do dna kivete.



3. Koristite isporučenu krpu za ulje kako biste ravnomjerno raširili ulje. Obrišite ostatak tako da ostane samo tanak film ulja. Osigurajte da je kiveta za uzorak skoro suha s malo ili bez vidljivog ulja.  
**Napomena:** Spremite nautjenu krpu u plastičnu vrećicu kako biste je održali čistom.

### 8.3 Spremanje kiveta za uzorak

#### OBAVIJEST

Kivete nemojte sušiti sušilom.

**Napomena:** Kivete uvijek spremajte tako da budu pokrivene kako bi se spriječilo njihovo isušivanje.

1. Napunite kivete za uzorak s destiliranom ili demineraliziranom vodom.

2. Zatvorite i spremite kivete za uzorak
3. Obrišite vanjsku stranu kivete za uzorak sa suhom krpom.

### 8.4 Zamjena baterije

#### ▲ UPOZORENJE



Opasnost od eksplozije. Istrošena baterija može uzrokovati nakupljanje vodika unutar instrumenta. Zamijenite bateriju prije nego što se istroši. Instrument nemojte pohranjivati na duže vrijeme s umetnutom baterijom.

#### ▲ UPOZORENJE

Opasnost od požara. U mjeraču koristite samo alkalne ili nikal-metal-hidridne (NiMH) baterije. Druge vrste baterija ili nepravilno umetanje mogu izazvati požar. U mjerač nikad nemojte umetati različite vrste baterija.

Za zamjenu baterije pogledajte [Instaliranje baterije](#) na stranici 314.

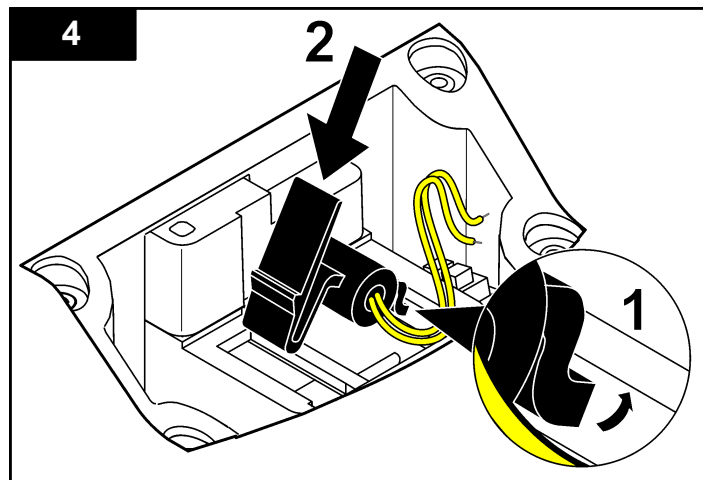
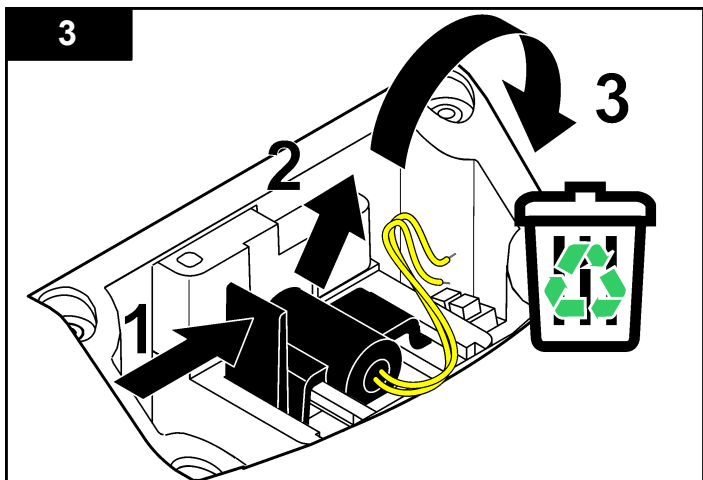
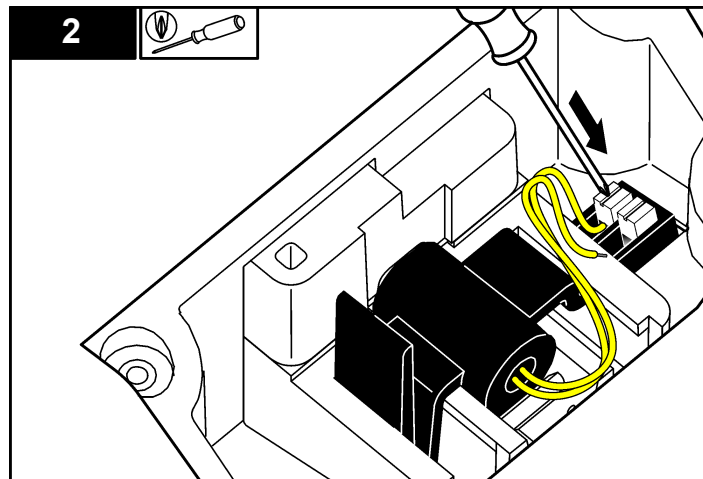
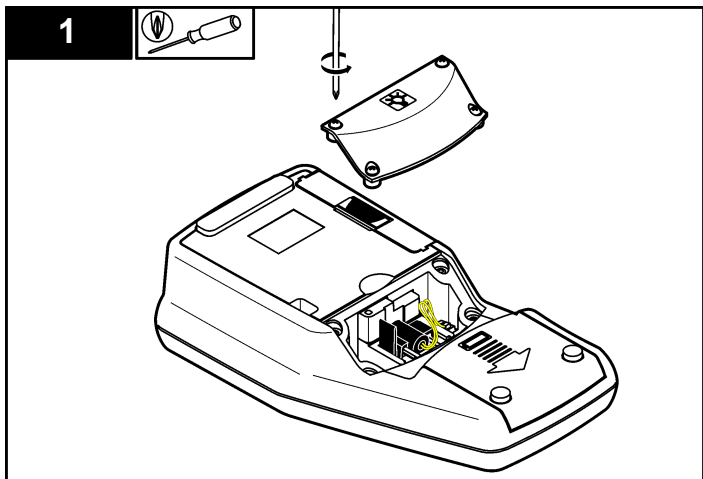
1. Uklonite pokrov baterije.
2. Uklonite baterije.
3. Ugradite 4 AA alkalne ili 4 nikal-metal-hidridne (NiMH) baterije. Osigurajte da su baterije ugrađene u točnoj orijentaciji.
4. Vratite poklopac baterije.

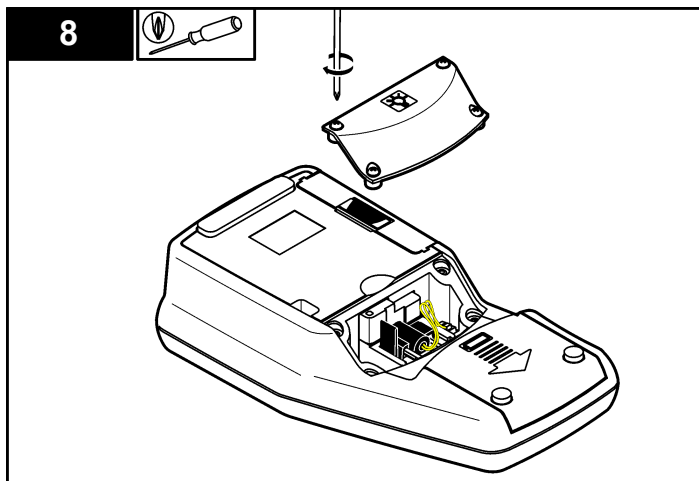
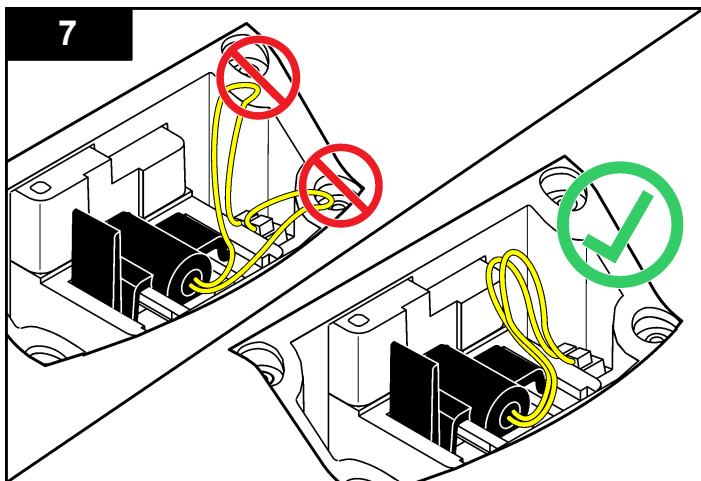
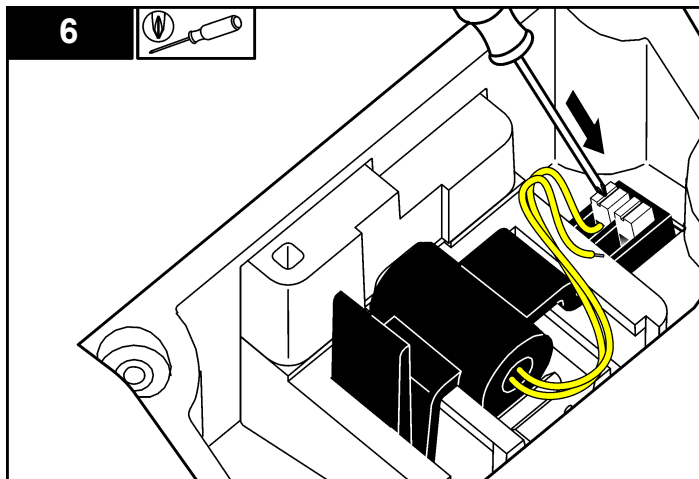
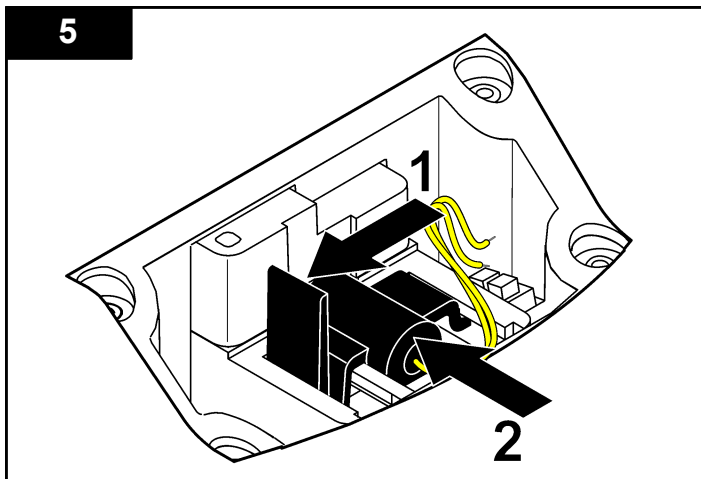
### 8.5 Zamijenite lampu

#### ▲ OPREZ

Opasnost od opeklina. Pričekajte da se lampa ohladi. Dodirnete li lampu dok je još vruća može doći do nastanka opeklina.







## Odjeljak 9 Rješavanje problema

Pogledajte sljedeću tablicu za učestale poruke o problemu ili simptomu, moguće uzroke i radnje za korekciju.

Pogreška/upozorenje	Opis	Rješenje
<b>Zatvorite poklopac i pritisnite Read.</b>	Poklopac je otvoren ili je otkrivena pogreška poklopca.	Provjerite je li poklopac zatvoren tijekom očitavanja i ponovno očitavanja.
<b>Baterija prazna!</b>	Baterija je prazna.	<ul style="list-style-type: none"> <li>Umetnite nove baterije</li> <li>Priključite USB/modul napajanja ako se koriste punjive baterije</li> </ul>
<b>ADC Failure (Kvar adc-a)</b>	Pogreška hardvera uzrokuje neuspjelo očitavanje.	Ponovite očitavanje.
<b>Signal detektora je preslab!</b>	Nedovoljno svjetla na 180° detektora.	<ul style="list-style-type: none"> <li>Provjerite za zapriječen put svjetla.</li> <li>Provjerite lampu.</li> </ul>
<b>Iznad raspona!</b>	Previsoka zamućenost–uzrokovana vjerojatno kalibracijom samo s RapidCal.	<ul style="list-style-type: none"> <li>Kalibrirajte gornji raspon.</li> <li>Razrijedite uzorak.</li> </ul>
<b>Ispod raspona!</b>	Mjerna apsorpcija je ispod raspona kalibracije.	Ponovite kalibraciju

Pogreška/upozorenje	Opis	Rješenje
<b>Provjerite lampu!</b>	Signali su preniske na 90° i 180° detektoru	<p><b>2100Q:</b> lampa je u kvaru. Promijenite lampu (pogledajte u <a href="#">Zamijenite lampu</a> na stranici 320).</p> <p><b>2100Qje:</b> Obratite se tehničkoj podršci.</p>
<b>Temperatura previsoka! Isključite instrument.</b>	Temperatura je prekoračila ograničenje mjerača (>60 °C or >140 °F).	Isključite mjerač i ostavite da se ohladi.
<b>RST: Prosječna vrijednost!</b>	Mase se sporo talože. Način očitavanja nije prikladan za ovaj uzorak.	Odaberite način očitavanja Normal (Normalno) ili Signal Average (Usrednjavanje signala)
<b>Razina pouzdanosti je &lt; 95%</b>	Način očitavanja Brzog taloženja zamućenosti ne odgovara rasponu od ≥ 95% pouzdanosti.	<ul style="list-style-type: none"> <li>Protresite uzorak nekoliko puta tako da se masa raspoređi. Ponovite očitavanje.</li> <li>Prebacite u način očitavanja Normal (Normalno) ako je uzorak stabilan i nema nataloženih masa.</li> </ul>
<b>Standardna vrijednost izvan raspona. Umetnite standard i pritisnite Read (Očitaj)</b>	Korištena je netočna standardna vrijednost za očitavanje.	Umetnite odgovarajući standard i ponovno očitajte.

Pogreška/upozorenje	Opis	Rješenje
<b>ID se već koristi. Unesite novi ID</b>	ID operatera ili uzorka nije dostupan jer je već pridružen.	Izradite novi ID
<b>Pogreška – Sigurnosti. Molimo postavite lozinku prije aktiviranja sigurnosti</b>	Nije izrađena lozinka.	Izradite novu lozinku.
<b>Molimo unesite najmanje jednu znamenku.</b>	Lozinka mora sadržavati minimalno jednu znamenku.	Izradite lozinku od najmanje jedne znamenke.
<b>Lozinka nije točna. Molimo pokušajte ponovno.</b>	Unijeta je netočna lozinka.	Unesite odgovarajuću lozinku.
<b>Molimo odspojite USB kabel iz vašeg računala.</b>	Pohrana podataka ne odgovara dok je priključena na mjerač i računalo.	Odspojite USB kabel iz mjerača i ponovno pokušajte poslati podatke.
<b>Memorija USB modula je puna. Obrišite podatke i pokušajte ponovno.</b>	Uređaj za pohranu podatka je pun.	<ol style="list-style-type: none"> <li>1.Priključite USB/modul napajanja na računalo.</li> <li>2.Preuzmite pohranjene podatke na računalo.</li> <li>3.Obrišite zapisnik podataka na modulu.</li> </ol>

Pogreška/upozorenje	Opis	Rješenje
<b>Brisanje zadnjeg očitavanja nije uspjelo!</b>	Pogreška u pohranjenim podacima.	Isključite i uključite mjerač. Ako se poruka o pogrešci i dalje prikazuje, obratite se službi za korisnike.
<b>Brisanje zapisnika podatka nije uspjelo!</b>		
<b>Nije moguće pročitati set podataka!</b>		
<b>Ne može spremirati podatke!</b>		
<b>Ne može spremirati zapisnik podataka!</b>		
<b>Ne može spremirati zapisnik verifikacije kalibracije!</b>		
<b>Pogreška kod pohranjivanja podataka!</b>		
<b>Pogreška kod očitavanja podataka!</b>		

## Πίνακας περιεχομένων

- |  |   |
|--|---|
| 1 Προδιαγραφές στη σελίδα 325                            | 6 Τυπική λειτουργία στη σελίδα 333        |
| 2 Γενικές πληροφορίες στη σελίδα 326                     | 7 Προηγμένη λειτουργία στη σελίδα 334     |
| 3 Εγκατάσταση στη σελίδα 329                             | 8 Συντήρηση στη σελίδα 335                |
| 4 Περιβάλλον εργασίας χρήστη και πλοήγηση στη σελίδα 331 | 9 Αντιμέτωπιση προβλημάτων στη σελίδα 339 |
| 5 Εκκίνηση στη σελίδα 332                                |   |

## Ενότητα 1 Προδιαγραφές

Οι προδιαγραφές ενδέχεται να αλλάξουν χωρίς προειδοποίηση.

Προδιαγραφή	Λεπτομέρειες
Μέθοδος μέτρησης	Προσδιορισμός θολομετρικής αναλογίας με χρήση ενός κυρίου νεφελομετρικού σήματος σκεδάσεως φωτός (90°) στο μεταδιδόμενο σήμα σκεδάσεως φωτός.
Ρυθμιστικό πλαίσιο	<b>2100Q:</b> Συμμορφώνεται με Μέθοδο EPA 180.1
Πηγή λυχνίας	<b>2100Q:</b> Λυχνία πυράκτωσης Βολφραμιού <b>2100Qis:</b> Δίοδος εκπομπής φωτός (LED)
Εύρος	0–1000 NTU (FNU)
Ακρίβεια	±2% της μέτρησης συν παράσιτο φως από 0–1000 NTU (FNU)
Επαναληψιμότητα	±1% της μέτρησης ή 0.01 NTU (FNU), όποιο είναι μεγαλύτερο
Ανάλυση	0.01 NTU στο χαμηλότερο εύρος
Σκεδαζόμενο φως	≤ 0.02 NTU (FNU)

Προδιαγραφή	Λεπτομέρειες
Μέσος όρος σήματος	Επιλογή Ενεργοποίησης/Απενεργοποίησης
Ανιχνευτής	Φωτοδίοδος σιλικόνης
Κατηγορία υπέρτασης	II
Υψόμετρο	2000 m (6562 ft) το μέγιστο
Λειτουργίες μέτρησης	Κανονική (Πατήστε να Μετρήσει), Μέσο Σήμα ή Rapidly Settling Turbidity
Επιλογές βαθμονόμησης	Απλό βήμα RapidCal για Χαμηλού Επιπέδου Αναφορά Ρύθμισης από 0–40 NTU (FNU) Πλήρης βαθμονόμηση από 0–1000 NTU (FNU) Βαθμονόμηση σε βαθμούς θολότητας
Καταγραφικό Βαθμονόμησης	Καταγράφει τις τελευταίες 25 επιτυχημένες βαθμονομήσεις
Καταγραφικό Επαλήθευσης	Καταγράφει τις τελευταίες 250 επιτυχημένες επαλήθευσεις
Καταγραφικό δεδομένων	500 εγγραφές
Απαιτήσεις ισχύος	Με μπαταρία: Μέγιστο 6 VDC (4 NiMH 1,2 V AA μπαταρίες ή 4 αλκαλικές 1,5 V AA μπαταρίες) Εξωτερική τροφοδοσία: 100-240 VAC ± 10%; έξοδος 5 W (9 VDC, μέγιστο 600 mA)
Συνθήκες λειτουργίας	Θερμοκρασία: 0 έως 50 °C (32 έως 122 °F) Σχετική Υγρασία: 0–90% στους 30 °C, 0–80% στους 40 °C, 0–70% στους 50 °C, χωρίς συμπύκνωση
Συνθήκες αποθήκευσης	–40 έως 60 °C (–40 έως 140 °F), μόνο όργανα

Προδιαγραφή	Λεπτομέρειες
Διεπαφή	Προαιρετικό USB
Απαιτείται δείγμα	15 mL (0.5 oz.)
Κυψελίδες δείγματος	Κυλινδρικές κυψελίδες 60 x 25 mm (2.36 x 1 in.) βοριοπιρρικό γυαλί με βιδωτά καπάκια
Διαστάσεις	22.9 x 10.7 x 7.7 cm (9.0 x 4.2 x 3.0 in.)
Βάρος	530 g (1.17 lb) χωρίς μπαταρίες 620 g (1.37 lb) με τέσσερις αλκαλικές μπαταρίες AA
Ανθεκτικότητα περιβλήματος	IP67 (κλειστό καπάκι, με εξαίρεση του χώρου μπαταριών και στοιχείου)
Κατηγορία προστασίας	2100Q/is: Κατηγορία III Παροχή ισχύος: Κατηγορία II
Βαθμός ρύπανσης	2
Περιβαλλοντικές συνθήκες	Εσωτερική και εξωτερική χρήση
Πιστοποίηση	Πιστοποιημένο από ΕΕ
Εγγύηση	1 έτος (ΕΕ: 2 έτη)

## Ενότητα 2 Γενικές πληροφορίες

Σε καμία περίπτωση ο κατασκευαστής δεν είναι υπεύθυνος για άμεσες, έμμεσες, ειδικές, τυχαίες ή παρεπόμενες ζημιές που προκύπτουν από οποιοδήποτε ελάττωμα ή παράλειψη του παρόντος εγχειριδίου. Ο κατασκευαστής διατηρεί το δικαίωμα να πραγματοποιήσει αλλαγές στο παρόν εγχειρίδιο και στα προϊόντα που περιγράφει ανά στιγμή, χωρίς ειδοποίηση ή υποχρέωση. Αναθεωρημένες εκδόσεις διατίθενται από τον ιστοχώρο του κατασκευαστή.

## 2.1 Πληροφορίες σχετικά με την ασφάλεια

Ο κατασκευαστής δεν φέρει ευθύνη για τυχόν ζημιές που οφείλονται σε λανθασμένη εφαρμογή ή κακή χρήση αυτού του προϊόντος, συμπεριλαμβανομένων, χωρίς περιορισμό, των άμεσων, συμπτωματικών και παρεπόμενων ζημιών, και αποποιείται την ευθύνη για τέτοιες ζημιές στο μέγιστο βαθμό που επιτρέπει το εφαρμοστέο δίκαιο. Ο χρήστης είναι αποκλειστικά υπεύθυνος για την αναγνώριση των σημαντικών κινδύνων εφαρμογής και την εγκατάσταση των κατάλληλων μηχανισμών για την προστασία των διεργασιών κατά τη διάρκεια μιας πιθανής δυσλειτουργίας του εξοπλισμού.

Παρακαλούμε διαβάστε ολόκληρο αυτό το εγχειρίδιο προτού αποσυσκευάσετε, ρυθμίσετε ή λειτουργήσετε αυτόν τον εξοπλισμό. Προσέξτε όλες τις υποδείξεις κινδύνου και προσοχής. Η παράλειψη μπορεί να οδηγήσει σε σοβαρούς τραυματισμούς του χειριστή ή σε ζημιές της συσκευής.

Διασφαλίστε ότι δεν θα προκληθεί καμία βλάβη στις διατάξεις προστασίας αυτού του εξοπλισμού. Μην χρησιμοποιείτε και μην εγκαθιστάτε τον συγκεκριμένο εξοπλισμό με κανέναν άλλον τρόπο, εκτός από αυτούς που προσδιορίζονται στο παρόν εγχειρίδιο.

## 2.2 Χρήση των πληροφοριών προειδοποίησης κινδύνου

### ▲ ΚΙΝΔΥΝΟΣ

Υποδεικνύει κάποια ενδεχόμενη ή επικείμενη επικίνδυνη κατάσταση, η οποία, εάν δεν αποτραπεί, θα οδηγήσει σε θάνατο ή σοβαρό τραυματισμό.

### ▲ ΠΡΟΕΙΔΟΠΟΙΗΣΗ

Υποδεικνύει μια ενδεχόμενη ή επικείμενη επικίνδυνη κατάσταση, η οποία, αν δεν αποτραπεί, μπορεί να προκαλέσει θάνατο ή σοβαρό τραυματισμό.

### ▲ ΠΡΟΣΟΧΗ




Υποδεικνύει κάποια ενδεχόμενη επικίνδυνη κατάσταση, η οποία μπορεί να καταλήξει σε ελαφρό ή μέτριο τραυματισμό.

## ΕΙΔΟΠΟΙΗΣΗ

Υποδεικνύει κατάσταση που, εάν δεν αποτραπεί, μπορεί να προκληθεί βλάβη στο όργανο. Πληροφορίες που απαιτούν ειδική έμφαση.

### 2.3 Ετικέτες προειδοποίησης

Διαβάστε όλες τις ετικέτες και τις πινακίδες που είναι επικολλημένες στο όργανο. Εάν δεν τηρήσετε τις οδηγίες, ενδέχεται να προκληθεί τραυματισμός ή ζημιά στο όργανο. Η ύπαρξη κάποιου συμβόλου επάνω στο όργανο παραπέμπει στο εγχειρίδιο με κάποια δήλωση προειδοποίησης.

	Αυτό είναι το σύμβολο προειδοποίησης ασφάλειας. Για την αποφυγή ενδεχόμενου τραυματισμού, τηρείτε όλα τα μηνύματα για την ασφάλεια που εμφανίζονται μετά από αυτό το σύμβολο. Εάν βρίσκεται επάνω στο όργανο, ανατρέξτε στο εγχειρίδιο λειτουργίας ή πληροφοριών ασφαλείας του οργάνου.
	Το σύμβολο αυτό υποδεικνύει ότι υπάρχει κίνδυνος ηλεκτροπληξίας.
	Αν ο ηλεκτρικός εξοπλισμός φέρει το σύμβολο αυτό, δεν επιτρέπεται η απόρριψή του σε ευρωπαϊκά οικιακά και δημόσια συστήματα συλλογής απορριμμάτων. Μπορείτε να επιστρέψετε παλαιό εξοπλισμό ή εξοπλισμό του οποίου η ωφέλιμη διάρκεια ζωής έχει παρέλθει στον κατασκευαστή για απόρριψη, χωρίς χρέωση για το χρήστη.

### 2.4 Συμμόρφωση και πιστοποίηση

#### ▲ ΠΡΟΣΟΧΗ

Αυτός ο εξοπλισμός δεν προορίζεται για χρήση σε οικιακά περιβάλλοντα και ενδέχεται να μην παρέχει επαρκή προστασία στη ραδιοφωνική λήψη σε τέτοια περιβάλλοντα.

**Καναδικός Κανονισμός Εξοπλισμού Πρόκλησης Παρεμβολών, ICES-003, Κατηγορία A:**

Ο κατασκευαστής διατηρεί τα αρχεία των ελέγχων υποστήριξης.

Η παρούσα ψηφιακή συσκευή Κατηγορίας A ανταποκρίνεται σε όλες τις προδιαγραφές του Καναδικού Κανονισμού Εξοπλισμού Πρόκλησης Παρεμβολών (IECS).

Cet appareil numérique de classe A répond à toutes les exigences de la réglementation canadienne sur les équipements provoquant des interférences.

#### **FCC Κεφάλαιο 15, Κατηγορία "A" Όρια**

Ο κατασκευαστής διατηρεί τα αρχεία των ελέγχων υποστήριξης. Η συσκευή συμμορφώνεται με το Κεφ. 15 των Κανόνων της FCC. Η λειτουργία υπόκειται στις ακόλουθες προϋποθέσεις:

1. Ο εξοπλισμός μπορεί να μην προκαλέσει επιβλαβείς παρεμβολές.
2. Ο εξοπλισμός πρέπει να δέχεται οποιοσδήποτε παρεμβολές λαμβάνονται, καθώς και παρεμβολές που μπορεί να προκαλέσουν ανεπιθύμητη λειτουργία.

Αλλαγές ή τροποποιήσεις αυτού του εξοπλισμού που δεν έχουν ρητά εγκριθεί από τον υπεύθυνο συμμόρφωσης, μπορεί να ακυρώσουν την αρμοδιότητα του χρήστη να λειτουργήσει τον εξοπλισμό. Ο εξοπλισμός αυτός έχει δοκιμαστεί και κρίθηκε ότι συμμορφώνεται με τους περιορισμούς περί ψηφιακών συσκευών Κατηγορίας A, σύμφωνα με το Κεφάλαιο 15 των κανόνων της FCC. Αυτά τα όρια έχουν σχεδιαστεί για να παρέχουν εύλογη προστασία από τις επιβλαβείς παρεμβολές όταν ο εξοπλισμός λειτουργεί σε εμπορικό περιβάλλον. Αυτό ο εξοπλισμός λειτουργεί, χρησιμοποιεί και μπορεί να εκπέμπει ενέργεια ραδιοσυχνοτήτων και, εάν δεν εγκατασταθεί και δεν χρησιμοποιηθεί σύμφωνα με το εγχειρίδιο οδηγιών, ενδέχεται να προκαλέσει επιβλαβείς παρεμβολές στις ραδιοεπικοινωνίες. Η λειτουργία του εξοπλισμού σε οικιακή περιοχή ενδεχομένως να προκαλέσει επιβλαβείς παρεμβολές, στην οποία περίπτωση ο χρήστης θα χρειαστεί να καλύψει με δικά του έξοδα την αποκατάσταση των παρεμβολών. Για τη μείωση των προβλημάτων παρεμβολών, μπορούν να χρησιμοποιηθούν οι ακόλουθες τεχνικές:

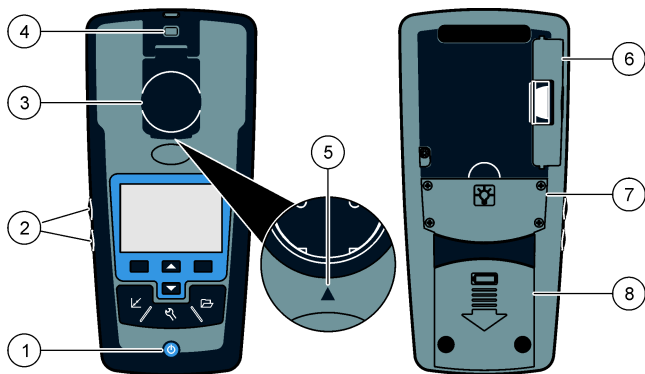
1. Αποσυνδέστε τον εξοπλισμό από την πηγή ισχύος της, προκειμένου να διαπιστωθεί εάν είναι ή δεν είναι η πηγή της παρεμβολής.
2. Αν ο εξοπλισμός είναι συνδεδεμένος με την ίδια έξοδο όπως και η συσκευή που παρουσιάζει παρεμβολές, συνδέστε τον εξοπλισμό σε μια διαφορετική έξοδο.

3. Μετακινήστε τον εξοπλισμό μακριά από τη συσκευή που λαμβάνει την παρεμβολή.
4. Επανατοποθετήστε την κεραία λήψης της συσκευής που λαμβάνει την παρεμβολή.
5. Δοκιμάστε συνδυασμούς των παραπάνω.

## 2.5 Επισκόπηση προϊόντος

Τα 2100Q και 2100Qείναι φορητά θολόμετρα που μετρούν τη θολότητα από το 0 έως 1000 NTU (FNU). Κυρίως για χρήση σε πεδίο, ο φορητός μετρητής λειτουργεί με τέσσερις μπαταρίες AA. Τα δεδομένα μπορούν να αποθηκευτούν και να μεταφερθούν σε έναν εκτυπωτή, υπολογιστή ή συσκευή αποθήκευσης USB.

Εικόνα 1 Επισκόπηση προϊόντος



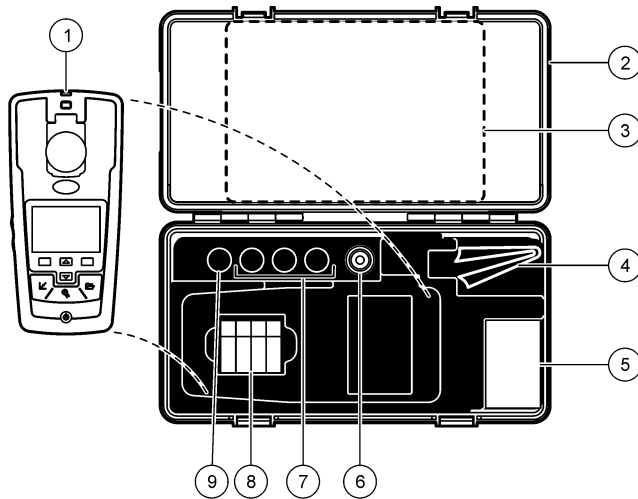
1 Ενεργοποίηση/Απενεργοποίηση	5 Βέλος ευθυγράμμισης
2 Πλήκτρα οπισθοφωτισμού (+ και -)	6 Ενότητα
3 Στήριγμα κυπελίδας δείγματος με κάλυμμα	7 Χώρος λυχνίας
4 Πρόσθετο για σχοινί αποσύνδεσης	8 Χώρος μπαταριών

## 2.6 Εξαρτήματα προϊόντος

Ανατρέξτε στην [Εικόνα 2](#) για να βεβαιωθείτε ότι έχετε παραλάβει όλα τα εξαρτήματα. Εάν κάποιο από αυτά τα αντικείμενα λείπει ή έχει υποστεί ζημιά, επικοινωνήστε αμέσως με τον κατασκευαστή ή με έναν αντιπρόσωπο πωλήσεων.



Εικόνα 2 2100Q και 2100Qείναι εξαρτήματα



1 2100Q ή 2100Qείναι θολόμετρο	6 Λάδι σιλικόνης
2 Θήκη μεταφοράς	7 πρότυπα βαθμονόμησης StabiCal 20, 100 και 800 NTU
3 Εγχειρίδιο λειτουργίας και Γρήγορος οδηγός	8 Αλκαλικές μπαταρίες AA (pK/4)
4 Πανί λίπανσης	9 πρότυπο επαλήθευσης StabiCal 10 NTU
5 κυψελίδα δείγματος 1" (10 mL) με καπάκι (pK/6)	

## Ενότητα 3 Εγκατάσταση

### ▲ ΠΡΟΣΟΧΗ



Πολλαπλοί κίνδυνοι. Μόνο ειδικευμένο προσωπικό πρέπει να εκτελεί τις εργασίες που περιγράφονται σε αυτήν την ενότητα του εγχειριδίου.

### 3.1 Τοποθέτηση μπαταριών

#### ▲ ΠΡΟΕΙΔΟΠΟΙΗΣΗ



Κίνδυνος έκρηξης. Στην περίπτωση χρήσης μπαταρίας που έχει λήξει, ενδέχεται να προκληθεί συσσώρευση αέριου υδρογόνου στο εσωτερικό του οργάνου. Αντικαταστήστε την μπαταρία πριν από τη λήξη της. Μην αποθηκεύετε το όργανο για μεγάλα χρονικά διαστήματα με τοποθετημένη την μπαταρία.

#### ▲ ΠΡΟΕΙΔΟΠΟΙΗΣΗ

Πιθανός κίνδυνος πυρκαγιάς. Χρησιμοποιήστε μόνο αλκαλικές μπαταρίες ή μπαταρίες νικελίου-υδρογονωμένου μετάλλου (NiMH) στο μετρητή. Άλλοι τύποι μπαταριών ή η λανθασμένη τοποθέτησή τους μπορεί να προκαλέσει πυρκαγιά. Ποτέ μην συνδυάζετε διαφορετικούς τύπους μπαταριών στο μετρητή.

### ΕΙΔΟΠΟΙΗΣΗ

Ο χώρος μπαταριών δεν είναι αδιάβροχος. Εάν ο χώρος των μπαταριών βραχεί, αφαιρέστε και στεγνώστε τις μπαταρίες και στεγνώστε το εσωτερικό του χώρου. Ελέγξτε τις επαφές της μπαταρίας για διάβρωση και καθαρίστε τις, εάν είναι απαραίτητο.

## ΕΙΔΟΠΟΙΗΣΗ

Όταν χρησιμοποιείτε μπαταρίες νικελίου-υδρογονωμένου μετάλλου (NiMH), το εικονίδιο της μπαταρίας δεν θα δείχνει πλήρη φόρτιση ύστερα από την εισαγωγή των πρόσφατα φορτισμένων μπαταριών (μπαταρίες NiMH είναι 1,2 V έναντι 1,5 V των αλκαλικών μπαταριών). Παρόλο που το εικονίδιο δεν δείχνει πλήρη φόρτιση, οι μπαταρίες 2300 mAh NiMH θα επιτύχουν 90% της διάρκειας ζωής της λειτουργίας του οργάνου (πριν την επαναφόρτιση) έναντι των νέων αλκαλικών μπαταριών.

## ΕΙΔΟΠΟΙΗΣΗ

Για την αποφυγή ενδεχόμενης ζημιάς στο μετρητή λόγω διαρροής από την μπαταρία, αφαιρείτε τις μπαταρίες από το μετρητή πριν από παρατεταμένα χρονικά διαστήματα μη χρήσης του οργάνου.

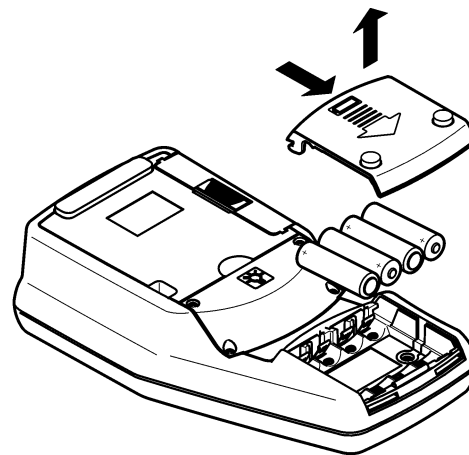
Ο μετρητής μπορεί να λειτουργήσει με αλκαλικές μπαταρίες AA ή επαναφορτιζόμενες μπαταρίες NiMH. Για να διατηρήσετε τη διάρκεια ζωής της μπαταρίας, ο μετρητής θα κλείνει σε 10 λεπτά από τη στιγμή που θα μείνει ανενεργός, το πίσω φως θα σβήνει ύστερα από 30 δευτερόλεπτα. Αυτός ο χρόνος μπορεί να αλλάξει στο μενού Διαχείρισης Ισχύος.

**Σημείωση:** Οι επαναφορτιζόμενες μπαταρίες θα επαναφορτιστούν μόνο με το USB/πρόσθετο ισχύος. Ανατρέξτε στα έγγραφα του πρόσθετου για επιπλέον πληροφορίες.

Για την τοποθέτηση της μπαταρίας, ανατρέξτε στο [Εικόνα 3](#).

1. Αφαίρεση του καλύμματος της μπαταρίας.
2. Τοποθετήστε 4 αλκαλικές μπαταρίες AA ή 4 μπαταρίες νικελίου-υδρογονωμένου μετάλλου (NiMH) AA. Σιγουρευτείτε ότι οι μπαταρίες έχουν τοποθετηθεί με το σωστό προσανατολισμό.
3. Επανατοποθετήστε το κάλυμμα της μπαταρίας.

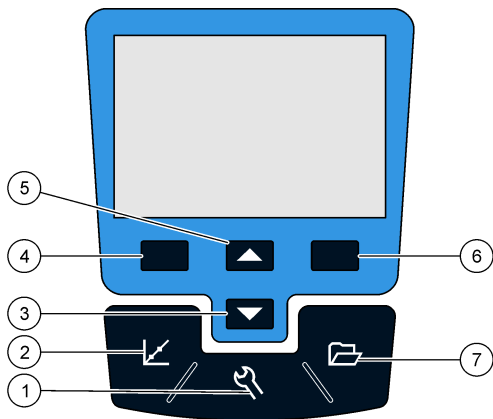
Εικόνα 3 Τοποθέτηση μπαταρίας



## Ενότητα 4 Περιβάλλον εργασίας χρήστη και πλοήγηση

### 4.1 Διεπαφή χειριστή

Εικόνα 4 Περιγραφή πληκτρολογίου

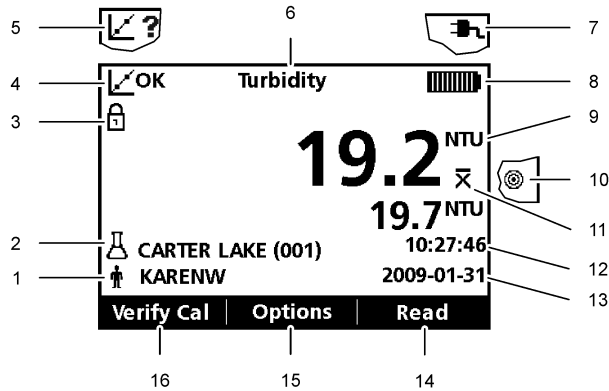


<b>1 ΡΥΘΜΙΣΕΙΣ</b> πλήκτρο: επιλέξτε επιλογές μενού για να ρυθμίσετε το μετρητή.	<b>5 ΕΠΑΝΩ</b> πλήκτρο: κύληση στα μενού, εισαγωγή αριθμών και γραμμάτων
<b>2 ΒΑΘΜΟΝΟΜΗΣΗ</b> πλήκτρο: δείχνει την οθόνη βαθμονόμησης, έναρξη βαθμονόμησης, επιλέγει επιλογές βαθμον.	<b>6 ΔΕΞΙΑ</b> πλήκτρο (κείμενο): μέτρηση δείγματος θολότητας, επιλέγει ή επιβεβαιώνει τις επιλογές, ανοίγει/μεταβαίνει στα υπο-μενού
<b>3 ΚΑΤΩ</b> πλήκτρο: κύληση μέσα στα μενού, εισαγωγή αριθμών και γραμμάτων	<b>7 ΔΙΑΧΕΙΡΙΣΗ ΔΕΔΟΜΕΝΩΝ</b> πλήκτρο: προβολή, διαγραφή ή μεταφορά αποθηκευμένων δεδομένων
<b>4 ΑΡΙΣΤΕΡΑ</b> πλήκτρο (κείμενο): πρόσβαση στην επαλήθευση βαθμονόμησης ή έξοδος από την οθόνη τρέχοντος μενού στην οθόνη του προηγούμενου μενού.	

### 4.2 Περιγραφή οθόνης

Η οθόνη μετρήσεων δείχνει τη θολότητα, τη μονάδα, την κατάσταση βαθμονόμησης, την ημερομηνία και την ώρα, το ID χειριστή (αν ορίστηκε) και το ID δείγματος (αν ορίστηκε). Ανατρέξτε στην [Εικόνα 5](#).

Εικόνα 5 Εμφάνιση μίας οθόνης



1 Αναγνώριση χειριστή	9 NTU (Νεφελομετρική Μονάδα Θολότητας) ή FNU (Μονάδα Θολότητας Φορμαζίνης)
2 Αναγνώριση δείγματος	10 Κατάσταση Μέτρησης: Rapidly Settling Turbidity (εικονίδιο Στόχος)
3 Ένδειξη σταθερότητας ή κλειδώματος οθόνης	11 Κατάσταση Μέτρησης: Μέσος όρος Σήματος (εικονίδιο X-bar)
4 Δείκτης κατάστασης βαθμονόμησης (Βαθμονόμηση OK=πέτυχε)	12 Time (Χρόνος)
5 Δείκτης κατάστασης βαθμονόμησης (Βαθμονόμηση ?=απέτυχε)	13 Ημερομηνία
6 Τίτλος Παραμέτρου	14 Μέτρηση (συμφραζόμενα: OK, Επιλογή)
7 Εικονίδιο ισχύος AC	15 Επιλογές (συμφραζόμενο)
8 Εικονίδιο μπαταρίας	16 Βαθμονόμηση επαλήθευσης


### 4.3 Πλοήγηση

Ο μετρητής περιέχει ένα μενού Ρυθμίσεις, μενού Επιλογές Μέτρησης, μενού Επιλογές Βαθμονόμησης και μενού Επιλογές Επαλήθευσης Βαθμονόμησης για να αλλάζετε τις διάφορες επιλογές. Χρησιμοποιήστε τα πλήκτρα **ΕΠΑΝΩ** και **ΚΑΤΩ** για να τονίσετε τις διάφορες επιλογές. Πατήστε το **ΔΕΞΙ** πλήκτρο για να επιλέξετε μια επιλογή. Υπάρχουν δύο τρόποι για να αλλάξετε τις επιλογές:

1. Επιλέξτε μια επιλογή από μια λίστα: Χρησιμοποιήστε τα πλήκτρα **ΕΠΑΝΩ** και **ΚΑΤΩ** για να επιλέξετε μια επιλογή. Αν εμφανιστούν τα πλαίσια ελέγχου, περισσότερες από μια επιλογές μπορούν να επιλεγούν. Πατήστε το πλήκτρο **ΑΡΙΣΤΕΡΑ** στο Επιλογή.  
*Σημείωση:* Σημείωση: Για να αναίρεσετε την επιλογή των πλαισίων ελέγχου, πατήστε το πλήκτρο **ΑΡΙΣΤΕΡΑ** στο Αναίρεση Επιλογής.
2. Εισάγετε μια τιμή επιλογής χρησιμοποιώντας τα βέλη: Πατήστε τα πλήκτρα **ΕΠΑΝΩ** και **ΚΑΤΩ** για να εισάγετε ή να αλλάξετε μια τιμή.
3. Πατήστε το πλήκτρο **ΔΕΞΙΑ** για να προχωρήσετε στον επόμενο χώρο.
4. Πατήστε το πλήκτρο **ΔΕΞΙΑ** στο **OK** για να αποδεχτείτε την τιμή.

### Ενότητα 5 Εκκίνηση

#### 5.1 Ενεργοποίηση και απενεργοποίηση του μετρητή

 Πατήστε το πλήκτρο **ON/OFF** για να ενεργοποιήσετε ή να απενεργοποιήσετε το μετρητή. Αν ο μετρητής δεν ενεργοποιηθεί, σιγουρευτείτε ότι οι μπαταρίες, στο στοιχείο, είναι σωστά εγκατεστημένες ή ότι η παροχή AC είναι σωστά συνδεδεμένη σε μια ηλεκτρική πρίζα.

*Σημείωση:* Η επιλογή Αυτόμ. κλείσιμο μπορεί επίσης να χρησιμοποιηθεί για να απενεργοποιήσετε το μετρητή. Περισσότερες πληροφορίες είναι διαθέσιμες στην ιστοσελίδα του κατασκευαστή.

## 5.2 Αλλαγή γλώσσας

Υπάρχουν τρεις επιλογές ρύθμισης της γλώσσας:

- Η γλώσσα οθόνης επιλέγεται όταν ο μετρητής ενεργοποιείται για πρώτη φορά.
- Η γλώσσα οθόνης επιλέγεται όταν το σπρώξετε και κρατήσετε πατημένο το πλήκτρο ισχύος.
- Η γλώσσα μπορεί να αλλάξει από το μενού Ρυθμίσεις.

1. Επιλέξτε μια γλώσσα από τη λίστα. Επιβεβαιώστε με το **OK**.
2. Πατήστε **Ολοκληρώθηκε** όταν η ενημέρωση ολοκληρωθεί.

## 5.3 Αλλαγή ημερομηνίας και ώρας

Η ημερομηνία και η ώρα μπορούν να αλλάξουν από το μενού Ημερομηνία & Ώρα.

1. Πατήστε το κουμπί **ΡΥΘΜΙΣΕΙΣ** και επιλέξτε Ημερομηνία & Ώρα.
2. Ανανεώστε τις πληροφορίες ώρας και ημερομηνίας:

Επιλογή	Περιγραφή
<b>Μορφή</b>	Επιλέξτε μια από τις μορφές για την ημερομηνία και ώρα: εεεε-μμ-ηη 24ωρο εεεε-μμ-ηη 24ωρο ηη-μμ-εεεε 24ωρο ηη-μμ-εεεε 12ωρο μμ/ηη/εεεε 24ωρο μμ/ηη/εεεε 12ωρο
<b>Ημερομηνία</b>	Εισάγετε τη σωστή ημερομηνία
<b>Ώρα</b>	Εισάγετε την τρέχουσα ώρα

Η τρέχουσα ημερομηνία και ώρα θα εμφανιστεί στην οθόνη.

Μετά από τη διαμόρφωση της ημερομηνίας και της ώρας, ο μετρητής είναι έτοιμος να πραγματοποιήσει μια μέτρηση.

## Ενότητα 6 Τυπική λειτουργία

### 6.1 Χρησιμοποιήστε ένα ID Δείγματος

Η ετικέτα ID Δείγματος χρησιμοποιείται για να συνδέσει ενδείξεις με μια ιδιαίτερη θέση δείγματος. Αν ανατεθεί, τα αποθηκευμένα δεδομένα θα περιλαμβάνουν αυτό το ID.

1. Επιλέξτε **ID Δείγματος** στο μενού Ρυθμίσεις.
2. Επιλέξτε, δημιουργήστε ή διαγράψτε ένα ID δείγματος:

Επιλογή	Περιγραφή
<b>Τρέχον ID</b>	Επιλέξτε ένα ID από μια λίστα. Το τρέχον ID θα συσχετιστεί με τα δεδομένα δείγματος μέχρι να επιλεγεί ένα διαφορετικό ID.
<b>Δημιουργήστε ένα ID Νέου Δείγματος</b>	Εισάγετε ένα όνομα για το ID νέου δείγματος.
<b>Διαγραφή ID Δείγματος</b>	Διαγράψτε ένα υπάρχον δείγμα ID.

### 6.2 Χρησιμοποιήστε ένα ID Χειριστή

Η ετικέτα του ID Χειριστή συνδέει μετρήσεις με ένα χειριστή. Όλα τα αποθηκευμένα δεδομένα θα περιλαμβάνουν αυτό το ID.

1. Επιλέξτε **ID Χειριστή** στο μενού Ρυθμίσεις.
2. Επιλέξτε, δημιουργήστε ή διαγράψτε ένα ID Χειριστή:

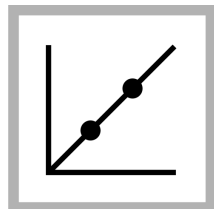
Επιλογή	Περιγραφή
<b>Τρέχον ID</b>	Επιλέξτε ένα ID από μια λίστα. Το τρέχον ID θα συσχετιστεί με τα δεδομένα δείγματος μέχρι να επιλεγεί ένα διαφορετικό ID.

Επιλογή	Περιγραφή
<b>Δημιουργία ενός ID Νέου Χειριστή</b>	Εισάγετε το όνομα του ID νέου χειριστή (το πολύ 10 ονόματα μπορούν να εισαχθούν).
<b>Διαγραφή ID Χειριστή</b>	Διαγραφή ενός υπάρχοντος ID Χειριστή.

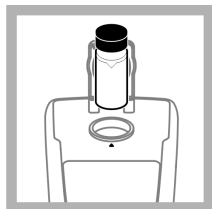
## Ενότητα 7 Προηγμένη λειτουργία

### 7.1 Βαθμονόμηση του θολομέτρου με πρότυπα διαλύματα StabiCal

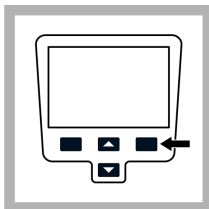
**Σημείωση:** Σημείωση: Για μεγαλύτερη ακρίβεια χρησιμοποιήστε την ίδια κυψελίδα δείγματος ή τέσσερις κυψελίδες δείγματος που να ταιριάζουν για όλες τις ενδείξεις κατά τη βαθμονόμηση. Εισάγετε την κυψελίδα δείγματος μέσα στο χώρο της κυψελίδας οργάνου έτσι ώστε το σημάδι διαμαντιού ή προσανατολισμού να ευθυγραμμίζεται μορυστά από τη θήκη της κυψελίδας.



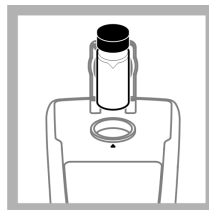
1. Πατήστε το κουμπί **ΒΑΘΜΟΝΟΜΗΣΗ** για να εισάγετε τη λειτουργία Βαθμονόμησης. Ακολουθήστε τις οδηγίες την οθόνη. **Σημείωση:** Σημείωση: Γυρίστε απαλά κάθε πρότυπο πριν το εισάγετε.



2. Εισάγετε το Πρότυπο StabiCal 20 NTU και κλείστε το καπάκι. **Σημείωση:** Σημείωση: Οριοθετείται το πρότυπο που θα εισαχθεί.

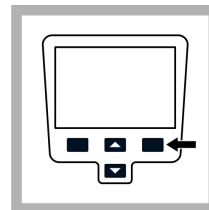


3. Πατήστε **Μέτρηση**. Η οθόνη δείχνει Σταθεροποίηση και μετά δείχνει το αποτέλεσμα.

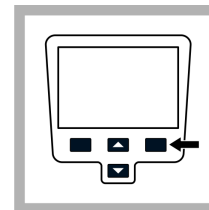


4. Επαναλάβετε τα βήματα 2 και 3 με το Πρότυπο 100 NTU και 800 NTU StabiCal.

**Σημείωση:** Σημείωση: Πατήστε **Ολοκληρώθηκε** για να ολοκληρώσετε τη βαθμονόμηση 2 σημείων.



5. Πατήστε **Ολοκληρώθηκε** για να δείτε τις λεπτομέρειες της βαθμονόμησης.



6. Πατήστε **Αποθήκευση** για να αποθηκεύσετε τα αποτελέσματα. Αφού ολοκληρωθεί η βαθμονόμηση, ο μετρητής αυτόματως μεταβαίνει σε κατάσταση Επαλήθευσης Βαθμον. Περισσότερες πληροφορίες είναι διαθέσιμες στην ιστοσελίδα του κατασκευαστή.

### 7.2 Λειτουργίες μέτρησης

1. Πατήστε το πλήκτρο **ΕΠΑΝΩ** ή **ΚΑΤΩ** για να μπειτε στο μενού Επιλογές Μέτρησης.
2. Επιλέξτε Λειτουργία Μέτρησης για να επιλέξετε μια από τις ακόλουθες επιλογές:

Επιλογή	Περιγραφή
<b>Κανονική (Προεπιλεγμένη ρύθμιση)</b>	Η κανονική λειτουργία μετρά και βγάζει μέσο όρο τριών μετρήσεων. Το αποτέλεσμα εμφανίζεται μετά από τη μέτρηση.

## Επιλογή

## Περιγραφή

### Μέσο Σήμα



Η λειτουργία Μέσου Σήματος εξισορροπεί τις διακυμάνσεις της μέτρησης που προκαλούνται από τη μεταφορά των σωματιδίων του δείγματος μέσω της διόδου φωτός.

Το εικονίδιο της μπάρας-X εμφανίζεται στην οθόνη όταν το Μέσο Σήμα είναι ενεργό.

Η λειτουργία Μέσου Σήματος μετρά 12 φορές και ξεκινά να εμφανίζει το μέσο όρο ύστερα από αυτές τις μετρήσεις. Το τελικό αποτέλεσμα είναι ο μέσος όρος όλων των 12 μετρήσεων.

### Rapidly Settling Turbidity (RST)



Η λειτουργία Rapidly Settling Turbidity (Θολότητα ταχείας καθίζησης, RST) υπολογίζει και ενημερώνει συνεχώς την ένδειξη θολότητας του δείγματος έως επίπεδο εμπιστοσύνης 95%, με βάση τη συγκεντρωτική τάση των μετρημένων σε πραγματικό χρόνο τιμών.

Η λειτουργία RST χρησιμοποιείται καλύτερα στα δείγματα που καθιζάνουν γρήγορα και συνεχώς αλλάζει η τιμή τους. Η μέτρηση βασίζεται σε ένα σωστά προετοιμασμένο δείγμα που είναι ομοιογενές στην αρχή της μέτρησης. Χρησιμοποιείται καλύτερα στα δείγματα που είναι μεγαλύτερα από 20 NTU. Το δείγμα πρέπει να ανακατευτεί πρώτα με αναστροφή αμέσως πριν μπει στο μετρητή.

Το εικονίδιο στόχος εμφανίζεται στην οθόνη όταν η Θολότητα Γρήγορης Καθίζησης είναι ενεργή.

Η Θολότητα Γρήγορης Καθίζησης διαβάζει και μετρά πέντε μετρήσεις ενώ δείχνει τα ενδιάμεσα αποτελέσματα.

## Ενότητα 8 Συντήρηση

### ▲ ΠΡΟΣΟΧΗ



Πολλαπλοί κίνδυνοι. Μόνο ειδικευμένο προσωπικό πρέπει να εκτελεί τις εργασίες που περιγράφονται σε αυτήν την ενότητα του εγχειριδίου.

### 8.1 Καθαρισμός μετρητή

Ο μετρητής έχει σχεδιαστεί για να μην χρειάζεται συντήρηση και γι'αυτό δεν χρειάζεται τακτικό καθαρισμό υπό κανονικές συνθήκες λειτουργίες. Οι εξωτερικές επιφάνειες του μετρητή μπορεί να καθαριστούν αν χρειαστεί.

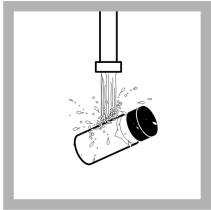
**Σημείωση:** Μην καθαρίζετε το μετρητή με διαλυτικά για να αποφύγετε ζημία στο υλικό.

1. Καθαρίστε το μετρητή με ένα στεγνό πανί χωρίς χνούδι ή ελαφρώς υγρό. Ένα διάλυμα με ήπιο σαπούνι μπορεί επίσης να χρησιμοποιηθεί για λιποδιαλυτή μόλυνση.

### 8.2 Βάλτε λάδι σιλικόνης σε μια κυψελίδα δείγματος

Οι κυψελίδες δείγματος και τα καπάκια πρέπει να είναι ιδιαίτερα καθαρά και χωρίς γρατζουνιές. Βάλτε μια λεπτή επίστρωση λαδιού σιλικόνης στο εξωτερικό των κυψελίδων για να καλύψετε ατέλειες και γρατζουνιές που μπορεί να επηρεάσουν τη διάχυση του φωτός.

**Σημείωση:** Σημείωση: Να χρησιμοποιείτε μόνο το παρεχόμενο λάδι σιλικόνης. Αυτό το λάδι σιλικόνης έχει τον ίδιο δείκτη διάθλασης με το γυαλί της κυψελίδας του δείγματος.



1. Καθαρίστε το εξωτερικό και το εσωτερικό των κυψελίδων και των καπακιών πλένοντας μ'ένα καθαριστικό απορρυπαντικό εργαστηριακού γυαλιού. Συνεχίστε κάνοντας πολλές πλύσεις με απεσταγμένο ή απιονισμένο νερό.



2. Βάλτε μια μικρή ποσότητα λαδιού σιλικόνης από το επάνω προς το κάτω μέρος της κυψελίδας.



3. Σημείωση: Χρησιμοποιήστε το παρεχόμενο πανί λίπανσης για να απλώσετε το λάδι ομοιόμορφα. Σκουπίστε την πλεονάζουσα ποσότητα έτσι ώστε να μείνει μόνο ένα λεπτό στρώμα λαδιού. Σιγουρευτείτε ότι η κυψελίδα δείγματος είναι σχεδόν στεγνή με λίγο ή καθόλου λάδι.  
**Σημείωση:** Φυλάξτε το πανί λίπανσης σε μια πλαστική σακούλα για να διατηρηθεί καθαρό.

### 8.3 Αποθήκευση των κυψελίδων δείγματος

#### ΕΙΔΟΠΟΙΗΣΗ

Μην στεγνώνετε με ξηρό αέρα τα κελιά δείγματος.

**Σημείωση:** Σημείωση: Πάντα να αποθηκεύετε τα κελιά δείγματος με τα καλύμματά τους, για να αποτραπεί η ξήρανση των κελιών.

1. Γεμίστε τις κυψελίδες δείγματος με απεσταγμένο ή απιονισμένο νερό.

2. Κλείστε με καπάκι και αποθηκεύστε τις κυψελίδες δείγματος.
3. Σκουπίστε το εξωτερικό μέρος των κυψελίδων δείγματος με ένα μαλακό πανί.

### 8.4 Αντικατάσταση μπαταρίας

#### ▲ ΠΡΟΕΙΔΟΠΟΙΗΣΗ



Κίνδυνος έκρηξης. Στην περίπτωση χρήσης μπαταρίας που έχει λήξει, ενδέχεται να προκληθεί συσσώρευση αέριου υδρογόνου στο εσωτερικό του οργάνου. Αντικαταστήστε την μπαταρία πριν από τη λήξη της. Μην αποθηκεύετε το όργανο για μεγάλα χρονικά διαστήματα με τοποθετημένη την μπαταρία.

#### ▲ ΠΡΟΕΙΔΟΠΟΙΗΣΗ

Πιθανός κίνδυνος πυρκαγιάς. Χρησιμοποιήστε μόνο αλκαλικές μπαταρίες ή μπαταρίες νικελίου-υδρογονωμένου μετάλλου (NiMH) στο μετρητή. Άλλοι τύποι μπαταριών ή η λανθασμένη τοποθέτησή τους μπορεί να προκαλέσει πυρκαγιά. Ποτέ μην συνδυάζετε διαφορετικούς τύπους μπαταριών στο μετρητή.

Για την αντικατάσταση της μπαταρίας, ανατρέξτε στο [Τοποθέτηση μπαταριών](#) στη σελίδα 329.

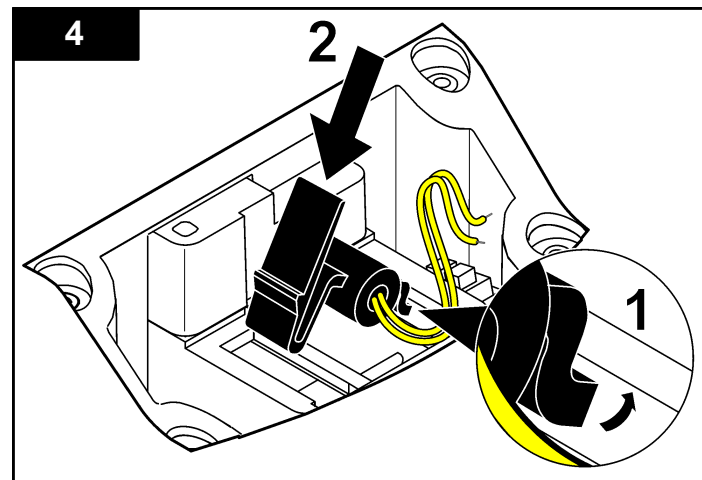
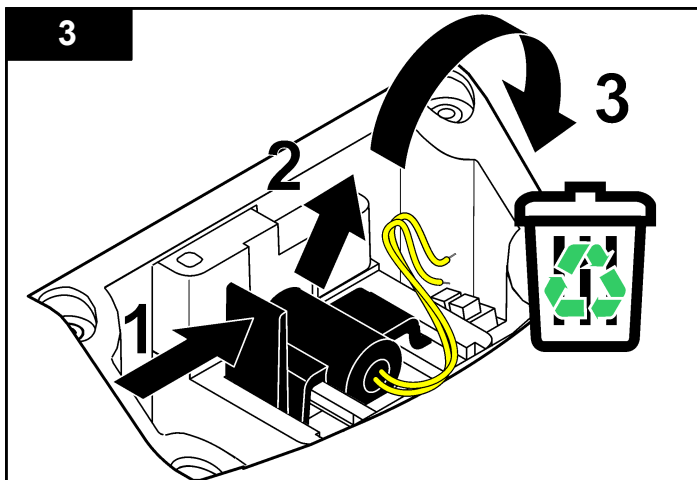
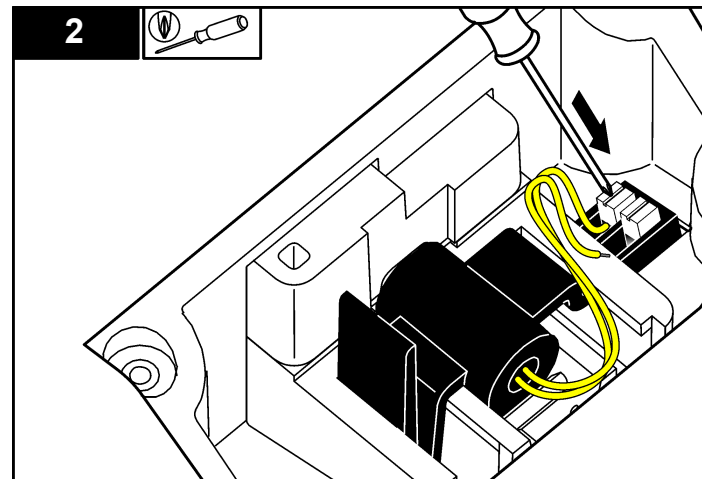
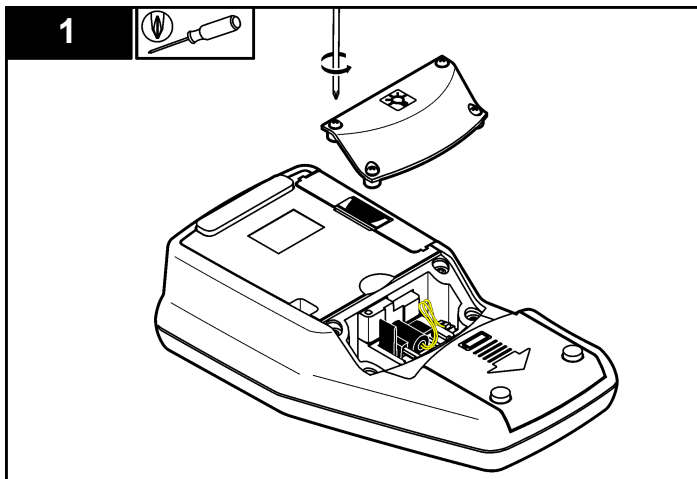
1. Αφαίρεση του καλύμματος της μπαταρίας.
2. Αφαιρέστε τις μπαταρίες.
3. Τοποθετήστε 4 αλκαλικές μπαταρίες AA ή 4 μπαταρίες νικελίου-υδρογονωμένου μετάλλου (NiMH) AA. Σιγουρευτείτε ότι οι μπαταρίες έχουν τοποθετηθεί με το σωστό προσανατολισμό.
4. Επανατοποθετήστε το κάλυμμα της μπαταρίας.

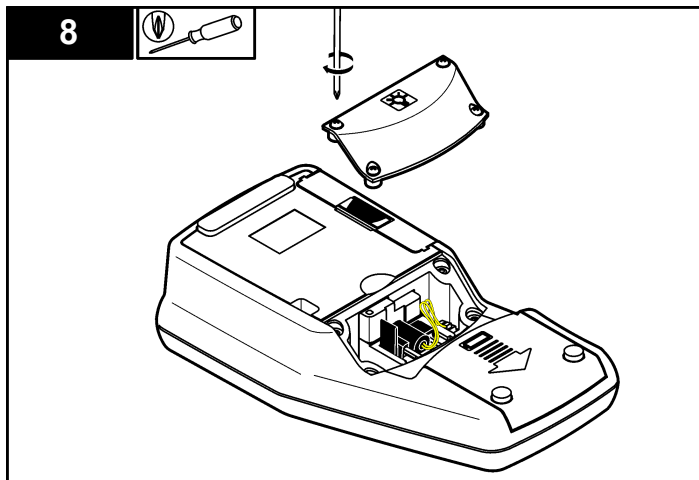
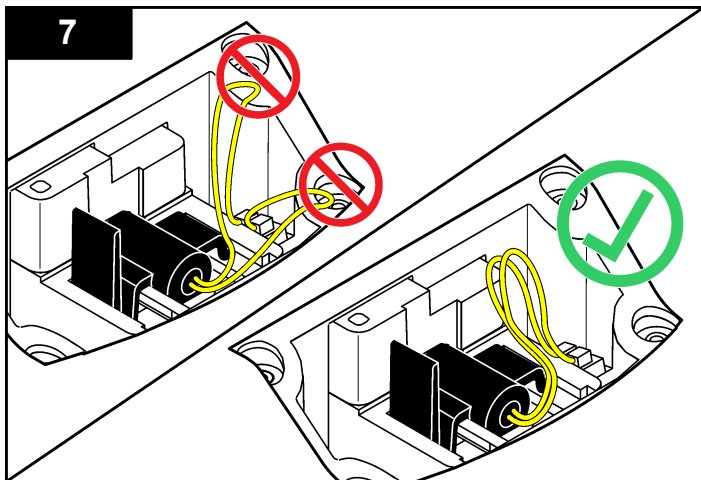
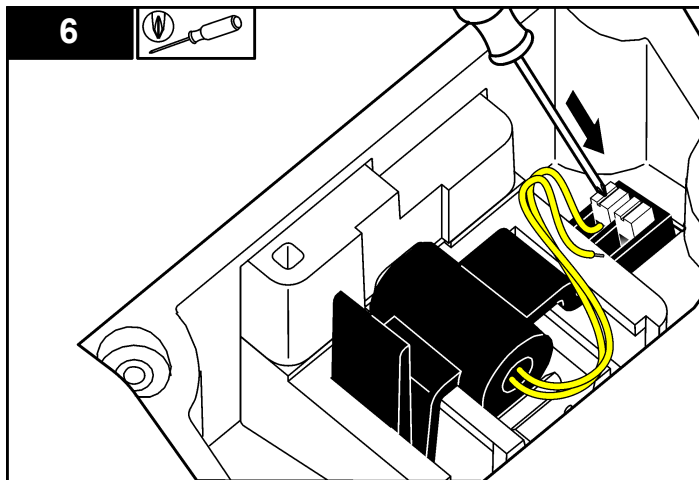
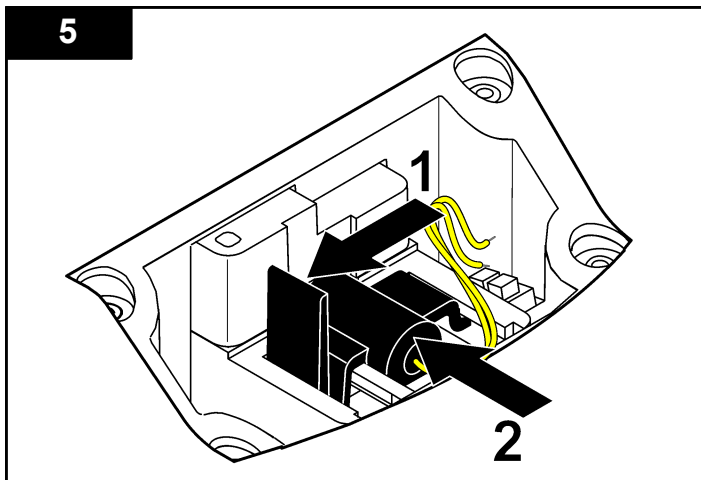
### 8.5 Αντικαταστήστε τη λυχνία

#### ▲ ΠΡΟΣΟΧΗ

Κίνδυνος εγκαύματος. Περιμένετε μέχρι η λυχνία να κρυώσει τελείως. Η επαφή με τη λυχνία που καίει μπορεί να προκαλέσει εγκαύματα.







## Ενότητα 9 Αντιμετώπιση προβλημάτων

Ανατρέξτε στον ακόλουθο πίνακα για μηνύματα συνηθισμένων προβλημάτων ή συμπτωμάτων, πιθανών αιτιών και διορθωτικών ενεργειών.

Σφάλμα/Προειδοποίηση	Περιγραφή	Λύση
<b>Κλείστε το καπάκι και πατήστε Μέτρηση.</b>	Το καπάκι είναι ανοικτό ή απέτυχε η ανίχνευση καπακίου.	Σιγουρευτείτε ότι το καπάκι είναι κλειστό κατά τη μέτρηση και την επαναμέτρηση.
<b>Χαμηλή Μπαταρία!</b>	Η μπαταρία είναι σε χαμηλά επίπεδα.	<ul style="list-style-type: none"> <li>Βάλτε καινούργιες μπαταρίες</li> <li>Συνδέστε το USB αν χρησιμοποιείτε επαναφορτιζόμενες μπαταρίες</li> </ul>
<b>ADC Απέτυχε!</b>	Σφάλμα υλικού που προκαλεί την αποτυχία μέτρησης.	Επαναλάβετε τη μέτρηση.
<b>Σήμα ανιχνευτή πολύ χαμηλό!</b>	Ανεπαρκές φως στον ανιχνευτή 180°.	<ul style="list-style-type: none"> <li>Ελέγξτε την παρεμποδιζόμενη διαδρομή φωτός.</li> <li>Ελέγξτε τη λυχνία.</li> </ul>
<b>Πάνω από το εύρος!</b>	Πολύ υψηλή θολότητα- μάλλον προκλήθηκε από βαθμονόμηση μόνο με το RapidCal.	<ul style="list-style-type: none"> <li>Βαθμονομήστε το άνω εύρος.</li> <li>Αραιώστε το δείγμα.</li> </ul>
<b>Κάτω από το εύρος!</b>	Η μετρηθείσα απορρόφηση είναι κάτω από το εύρος βαθμονόμησης.	Επανάληψη βαθμονόμησης

Σφάλμα/Προειδοποίηση	Περιγραφή	Λύση
<b>Παρακαλώ ελέγξτε τη λυχνία!</b>	Τα σήματα είναι πολύ χαμηλά στον ανιχνευτή 90° και 180°	<p><b>2100Q:</b> Η λυχνία είναι ελλατωματική. Αλλάξτε τη λυχνία (ανατρέξτε στο <a href="#">Αντικαταστήστε τη λυχνία</a> στη σελίδα 336).</p> <p><b>2100Qis:</b> Επικοινωνήστε με την τεχνική υποστήριξη.</p>
<b>Θερμοκρασία πολύ υψηλή! Κλείστε το όργανο.</b>	Η θερμοκρασία ξεπέρασε τα όρια του μετρητή (>60 °C ή >140 °F).	Απενεργοποιήστε το μετρητή και αφήστε τον να κρυώσει.
<b>RST: Μέσες τιμές!</b>	Τα στερεά καθιζάνουν πολύ αργά. Η λειτουργία μέτρησης δεν είναι κατάλληλη γι'αυτό το δείγμα.	Επιλέξτε Κανονική ή Μέσου Σήματος λειτουργία μέτρησης
<b>Επίπεδο εμπιστοσύνης είναι &lt; 95%</b>	Η λειτουργία μέτρησης της Θολότητας Γρήγορης Καθίωσης δεν ανταποκρίθηκε στο εύρος εμπιστοσύνης ≥ 95% .	<ul style="list-style-type: none"> <li>Αναποδογυρίστε το δείγμα αρκετές φορές, έτσι ώστε τα στερεά να αλλάξουν θέση. Επαναλάβετε ξανά τη μέτρηση.</li> <li>Μεταβείτε στην Κανονική λειτουργία μέτρησης αν το δείγμα είναι σταθερό και δεν έχει καθιζούντα στερεά.</li> </ul>

Σφάλμα/Προειδοποίηση	Περιγραφή	Λύση
<b>Η τιμή προτύπου είναι εκτός εύρους. Εισάγετε πρότυπο και πατήστε Μέτρηση</b>	Χρησιμοποιημένη λανθασμένη τιμή προτύπου για τη μέτρηση.	Εισάγετε το κατάλληλο πρότυπο και μετρήστε ξανά.
<b>Το ID χρησιμοποιείται ήδη. Εισάγετε νέο ID</b>	Το ID Χειριστή ή Δείγματος δεν είναι διαθέσιμο καθώς έχει ήδη δοθεί.	Δημιουργία νέου ID.
<b>Σφάλμα - Ασφάλειας Παρακαλώ ορίστε κωδικό πρόσβασης πριν ενεργοποιήσετε την ασφάλεια</b>	Δεν δημιουργήθηκε κωδικός πρόσβασης.	Δημιουργήστε νέο κωδικό πρόσβασης.
<b>Παρακαλώ εισάγετε τουλάχιστον ένα χαρακτήρα.</b>	Ο κωδικός πρόσβασης πρέπει να περιλαμβάνει τουλάχιστον ένα χαρακτήρα.	Δημιουργήστε κωδικό πρόσβασης τουλάχιστον ενός χαρακτήρα.
<b>Λάθος κωδικός πρόσβασης. Παρακαλώ προσπαθήστε ξανά.</b>	Λάθος κωδικός πρόσβασης εισήχθηκε.	Εισάγετε το σωστό κωδικό πρόσβασης.
<b>Παρακαλώ αποσυνδέστε το καλώδιο USB από τον υπολογιστή σας.</b>	Η Αποθήκη δεδομένων δεν ανταποκρίνεται ενώ είναι συνδεδεμένο στο μετρητή και στον υπολογιστή.	Αποσυνδέστε το καλώδιο USB από το μετρητή και προσπαθήστε να στείλετε τα δεδομένα ξανά.

Σφάλμα/Προειδοποίηση	Περιγραφή	Λύση
<b>Η μνήμη του στοιχείου USB είναι πλήρης. Διαγράψτε τα δεδομένα και προσπαθήστε ξανά.</b>	Η Αποθήκη δεδομένων είναι πλήρης.	<ol style="list-style-type: none"> <li>1. Συνδέστε το USB στον υπολογιστή.</li> <li>2. Κάντε λήψη των αποθηκευμένων δεδομένων στον υπολογιστή.</li> <li>3. Διαγραφή Αρχείου Καταγραφής Δεδομένων στο στοιχείο.</li> </ol>

Σφάλμα/Προειδοποίηση	Περιγραφή	Λύση
<b>Διαγραφή Τελευταίας Μέτρησης Απέτυχε!</b>	Σφάλμα στην αποθήκη δεδομένων.	Απενεργοποιήστε και μετά ενεργοποιήστε το μετρητή. Αν υπάρχει ακόμη μήνυμα σφάλματος, επικοινωνήστε με την τεχνική υποστήριξη.
<b>Διαγραφή Αρχείου Καταγραφής Δεδομένων Απέτυχε!</b>		
Δεν μπορεί να διαβάσει το σετ δεδομένων!		
Δεν μπορεί να αποθηκεύσει τα δεδομένα!		
Δεν μπορεί να αποθηκεύσει στο Αρχείο Καταγραφής Μετρήσεων!		
Δεν μπορεί να αποθηκεύσει στο Αρχείο Καταγραφής Επαλήθευσης Βαθμον.!		
Σφάλμα κατά την αποθήκευση δεδομένων!		
Σφάλμα κατά τη μέτρηση δεδομένων!		





**HACH COMPANY World Headquarters**

P.O. Box 389, Loveland, CO 80539-0389 U.S.A.

Tel. (970) 669-3050

(800) 227-4224 (U.S.A. only)

Fax (970) 669-2932

orders@hach.com

www.hach.com

**HACH LANGE GMBH**

Willstätterstraße 11

D-40549 Düsseldorf, Germany

Tel. +49 (0) 2 11 52 88-320

Fax +49 (0) 2 11 52 88-210

info-de@hach.com

www.de.hach.com

**HACH LANGE Sàrl**

6, route de Compois

1222 Vérenaz

SWITZERLAND

Tel. +41 22 594 6400

Fax +41 22 594 6499

