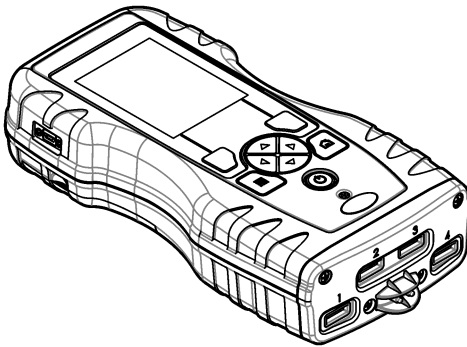




DOC022.98.80457

SL1000

03/2023, Edition 6



Basic User Manual
Allgemeines Benutzerhandbuch
Manuale di base per l'utente
Manuel d'utilisation simplifié
Manual básico del usuario
Manual básico do utilizador
Základní uživatelská příručka
Grundläggende brugervejledning
Basishandleiding voor gebruikers
Podstawowy podręcznik użytkownika
Allmän användarhandbok
Peruskäyttöohje
Основно ръководство на потребителя
Alapvető felhasználói kézikönyv
Manual de utilizare de bază
Pagrindinis naudotojo vadovas
Базовое руководство пользователя
Temel Kullanıcı Kılavuzu
Základná používateľská príručka
Osnovni uporabniški priročnik
Osnovni korisnički priručnik
Βασικό εγχειρίδιο χρήστη
Kasutusjuhend

Table of Contents

English.....	3
Deutsch.....	23
Italiano.....	44
Français.....	65
Español.....	86
Português.....	107
Čeština.....	128
Dansk.....	148
Nederlands.....	168
Polski.....	189
Svenska.....	210
Suomi.....	230
български.....	250
Magyar.....	272
Română.....	292
lietuvių kalba.....	313
Русский.....	334
Türkçe.....	355
Slovenský jazyk.....	375
Slovenski.....	396
Hrvatski.....	417
Ελληνικά.....	437
eesti keel.....	458

Table of Contents

1	Online user manual on page 3	7	Standard operation on page 11
2	Specifications on page 3	8	Calibration on page 15
3	General information on page 4	9	Data log on page 16
4	Installation on page 6	10	Maintenance on page 17
5	User interface and navigation on page 8	11	Troubleshooting on page 20
6	Startup on page 10	12	Replacement parts and accessories on page 22

Section 1 Online user manual

This Basic User Manual contains less information than the User Manual, which is available on the manufacturer's website.

Section 2 Specifications

Specifications are subject to change without notice.

Specification	Details
Dimensions (W x D x H)	13.08 x 5.89 x 25.83 cm (5.15 x 2.32 x 10.17 in.)
Enclosure rating	IP64 with caps installed for the meter probe connector ports or with the probes connected to the instrument
Weight	1.2 kg (2.7 lb)
Power requirements (internal)	Lithium ion rechargeable battery, 7.4V, 5.0Ah (5000mAh)
Power requirements (external)	100V–240 VAC, 50/60Hz input, 12V at 3A output
Operating temperature (discharging)	5 to 50 °C (41 to 122 °F), maximum 85% relative humidity (non-condensing)
Charging temperature	5 to 45 °C (41 to 113 °F), maximum 85% relative humidity (non-condensing)
Storage temperature	–20 to 60 °C (–4 to 140 °F), maximum 85% relative humidity (non-condensing)
Interface	Mini USB port
5-pin input connector	Two M12 connectors for IntelliCal probes
External power supply connection	2.5 mm Jack
Chemkey slots	4
Data memory	1000 measured values (result, date, time, site ID, user ID)
Data storage	Automatic in Press to Read measurement mode. Manual in Continuous measurement mode
Temperature correction (for IntelliCal™ probes)	Off, automatic and manual (parameter dependent)
Measurement display lock (for IntelliCal™ probes)	Press to Read and Continuous measurement mode
Protection class	III
Certifications	CE, UKCA, FCC, ISED, RCM, KC
Warranty	1 year

Section 3 General information

In no event will the manufacturer be liable for damages resulting from any improper use of product or failure to comply with the instructions in the manual. The manufacturer reserves the right to make changes in this manual and the products it describes at any time, without notice or obligation. Revised editions are found on the manufacturer's website.

3.1 Safety information

The manufacturer is not responsible for any damages due to misapplication or misuse of this product including, without limitation, direct, incidental and consequential damages, and disclaims such damages to the full extent permitted under applicable law. The user is solely responsible to identify critical application risks and install appropriate mechanisms to protect processes during a possible equipment malfunction.

Please read this entire manual before unpacking, setting up or operating this equipment. Pay attention to all danger and caution statements. Failure to do so could result in serious injury to the operator or damage to the equipment.

Make sure that the protection provided by this equipment is not impaired. Do not use or install this equipment in any manner other than that specified in this manual.

3.1.1 Use of hazard information

▲ DANGER

Indicates a potentially or imminently hazardous situation which, if not avoided, will result in death or serious injury.

▲ WARNING

Indicates a potentially or imminently hazardous situation which, if not avoided, could result in death or serious injury.

▲ CAUTION

Indicates a potentially hazardous situation that may result in minor or moderate injury.

NOTICE

Indicates a situation which, if not avoided, may cause damage to the instrument. Information that requires special emphasis.

3.1.2 Precautionary labels

Read all labels and tags attached to the instrument. Personal injury or damage to the instrument could occur if not observed. A symbol on the instrument is referenced in the manual with a precautionary statement.



This symbol, if noted on the instrument, references the instruction manual for operation and/or safety information.



Electrical equipment marked with this symbol may not be disposed of in European domestic or public disposal systems. Return old or end-of-life equipment to the manufacturer for disposal at no charge to the user.

3.1.3 Certification

EN 55011/CISPR 11 Notification Warning

This is a Class A product. In a domestic environment this product may cause radio interference in which case the user may be required to take adequate measures.

Canadian Radio Interference-Causing Equipment Regulation, ICES-003, Class A:

Supporting test records reside with the manufacturer.

This Class A digital apparatus meets all requirements of the Canadian Interference-Causing Equipment Regulations.

Cet appareil numérique de classe A répond à toutes les exigences de la réglementation canadienne sur les équipements provoquant des interférences.

FCC Part 15, Class "A" Limits

Supporting test records reside with the manufacturer. The device complies with Part 15 of the FCC Rules. Operation is subject to the following conditions:

1. The equipment may not cause harmful interference.
2. The equipment must accept any interference received, including interference that may cause undesired operation.

Changes or modifications to this equipment not expressly approved by the party responsible for compliance could void the user's authority to operate the equipment. This equipment has been tested and found to comply with the limits for a Class A digital device, pursuant to Part 15 of the FCC rules. These limits are designed to provide reasonable protection against harmful interference when the equipment is operated in a commercial environment. This equipment generates, uses and can radiate radio frequency energy and, if not installed and used in accordance with the instruction manual, may cause harmful interference to radio communications. Operation of this equipment in a residential area is likely to cause harmful interference, in which case the user will be required to correct the interference at their expense. The following techniques can be used to reduce interference problems:

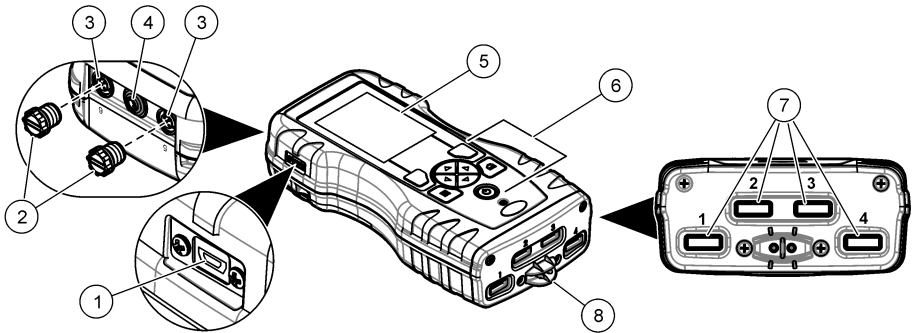
1. Disconnect the equipment from its power source to verify that it is or is not the source of the interference.
2. If the equipment is connected to the same outlet as the device experiencing interference, connect the equipment to a different outlet.
3. Move the equipment away from the device receiving the interference.
4. Reposition the receiving antenna for the device receiving the interference.
5. Try combinations of the above.

3.2 Product overview

The SL1000 portable parallel analyzer measures a maximum of six parameters at the same time in drinking water and other clean water applications. The meter uses Chemkeys® and digital IntelliCAL™ probes to measure different parameters in water. The meter automatically identifies the type of Chemkey that is installed or the type of probe that is connected to the meter.

The meter can use a maximum of four Chemkeys and a maximum of two probes for measurements. Refer to [Figure 1](#).

Figure 1 Product overview



1 Mini USB port	5 Display
2 Probe connector port caps	6 Keypad
3 Probe connection ports	7 Chemkey slots
4 Power access port	8 Sample detector

3.3 Product components

Make sure that all components have been received. Refer to the supplied documentation. If any items are missing or damaged, contact the manufacturer or a sales representative immediately.

Section 4 Installation

▲ WARNING



Multiple hazards. Only qualified personnel must conduct the tasks described in this section of the document.

4.1 Lithium battery safety

▲ WARNING



Fire and explosion hazard. Lithium batteries may get hot, explode or ignite and cause serious injury if exposed to abuse conditions.

- Do not use the battery if there is visible damage.
- Do not use the battery after strong shock or vibration occurs.
- Do not expose the battery to fire.
- Keep the battery at temperatures less than 60 °C (140 °F).
- Keep the battery dry and away from water.
- Prevent contact between the positive and negative battery terminals.
- Do not let unauthorized persons touch the battery.
- Discard the battery in accordance with local, regional and national regulations.
- Do not use or store the instrument in direct sunlight, near a heat source or in high temperature environments such as a closed vehicle in direct sunlight.

4.2 Install the battery

⚠ WARNING



Fire and explosion hazard. This equipment contains a high energy lithium battery which can ignite and cause fire or explosion, even without power. To maintain the safety provided by the instrument enclosure, the instrument enclosure covers must be installed and secured with the supplied hardware.



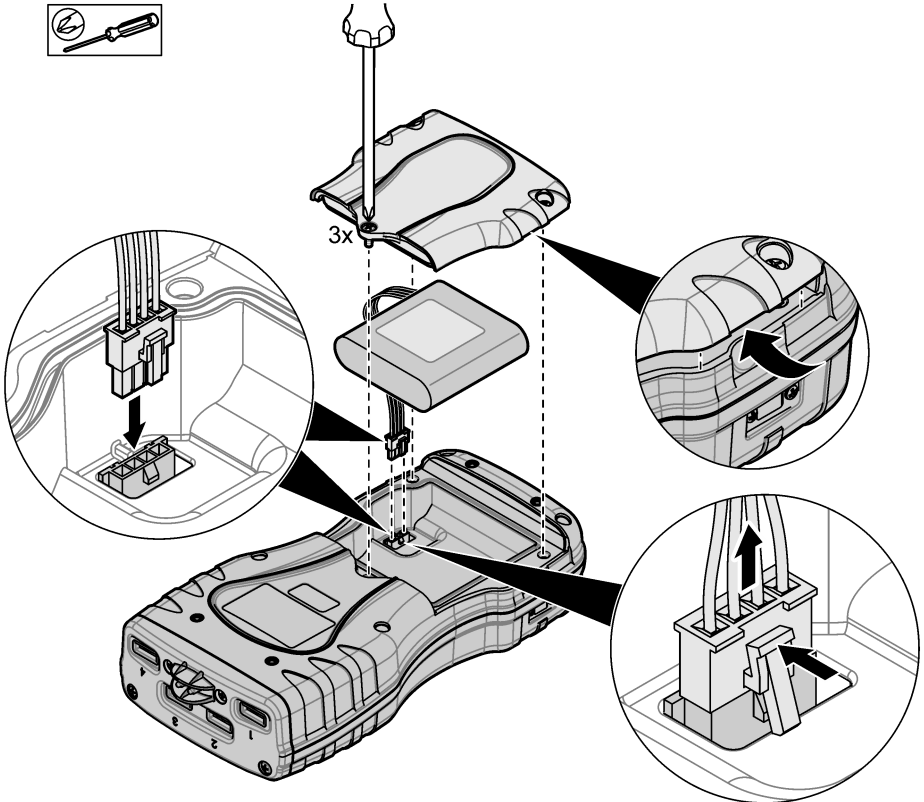
⚠ WARNING



Explosion and fire hazard. Battery substitution is not permitted. Use only batteries that are supplied by the instrument manufacturer.

Only use the manufacturer-supplied lithium-ion rechargeable battery. Refer to [Figure 2](#) for battery installation or removal.

Figure 2 Battery installation and removal



4.3 Charge the battery

▲ WARNING



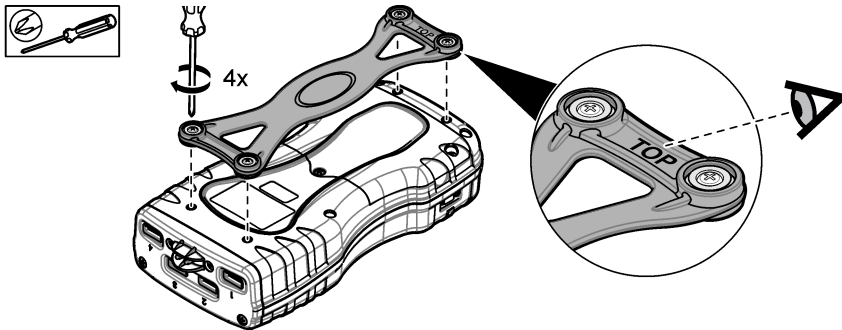
Fire hazard. Use only the external power supply that is specified for this instrument.

1. Connect the external power supply to an AC mains outlet socket.
2. Connect the external power supply to the power access port on the meter. Refer to [Product overview](#) on page 5.
 - The instrument can be operated while the battery charges.
 - External power supply substitution is not permitted. Use only the external power supply specified in the list of parts and accessories for the instrument. Refer to [Replacement parts and accessories](#) on page 22.
 - Do not charge the battery for more than 24 hours.

4.4 Install the lanyard

Install the lanyard to safely hold the meter. Refer to [Figure 3](#).

Figure 3 Lanyard installation

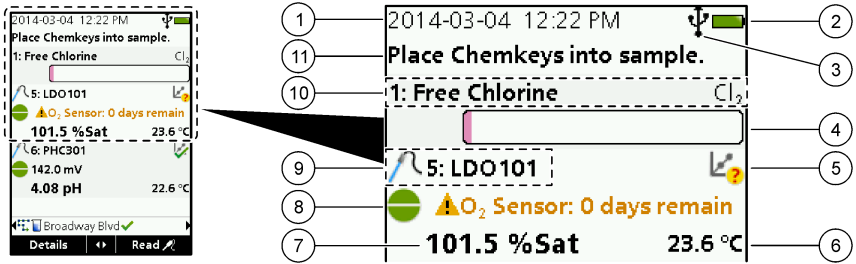


Section 5 User interface and navigation

5.1 Display description

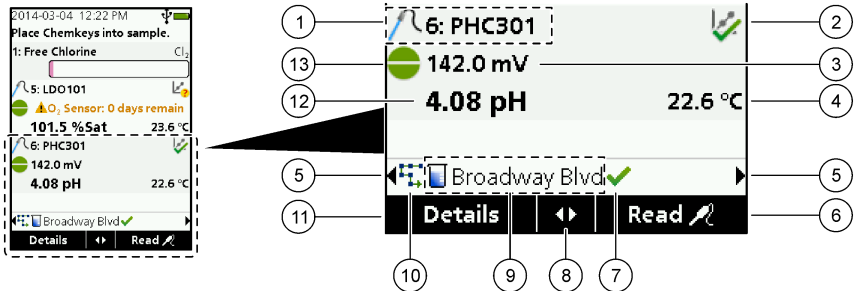
Refer to [Figure 4](#) and [Figure 5](#) for the measurement screen description.

Figure 4 Measurement screen (top part)



1 Date and time	7 Primary measurement value (user-selected parameter)
2 Battery status	8 Stability icon with warning icon and warning message
3 USB (COM port) active connection icon when communication class is selected	9 Probe icon, port number, parameter or probe name
4 Progress bar (not completed measurement)	10 Slot number, parameter name and chemical symbol
5 Calibration status icon (calibration not correct)	11 Very important message for devices (followed by error and then warning message)
6 Secondary measurement (user-selected parameter)	

Figure 5 Measurement screen (lower part)

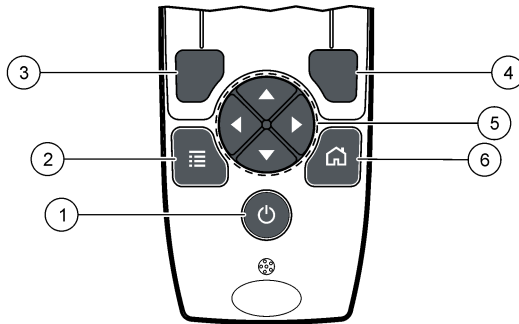


1 Probe icon, port number, parameter or probe name	8 Active arrow keys
2 Calibration status icon (calibration correct)	9 Site ID icon and site name
3 Secondary measurement value (user-selected parameter)	10 Routes icon (shows when routes is set to on)
4 Tertiary measurement value (user-selected parameter)	11 Options (contextual: Details, exit, cancel, select, deselect)
5 Right and left arrows to select the applicable site ID	12 Primary measurement value (user selected)
6 Options (contextual: Read, select, OK, delete)	13 Stability icon
7 Checkmark: Completed measurement on site	

5.2 Keypad description

Refer to [Figure 6](#) for the keypad description and navigation information.

Figure 6 Keypad description



1 POWER key	4 RIGHT selection key (contextual): Read samples, delete, select or confirm options, opens sub-menus
2 MAIN MENU key: Select verification, calibration, routes, settings, data log, information, diagnostics, operator ID and site ID	5 Navigation keys UP, DOWN, RIGHT, LEFT ¹ : Scroll through menus, enter numbers and letters.
3 LEFT selection key (contextual): Details, select/deselect, cancels or exits the current menu screen to the previous one	6 HOME: Go to the main measurement screen.

Section 6 Startup

6.1 Set the power to on

Push the **POWER** key to set the meter to on or off. If the meter does not power on, make sure that the battery is correctly installed.

6.2 Change the language

Select the display language when the meter is set to on for the first time. Change the language from the **Settings** menu.

1. Push **Settings>Language**.
2. Select the applicable language.

6.3 Change the date and time

There are two options to set the date and time and format:

- Set the date and time when the meter is set to on for the first time.
- Set the date and time from the Date & Time menu.

1. Select **Settings>Meter>Date & Time**.
2. Use the arrow keys to select the format for the date and time and then enter the current time and date information.
The current date and time will be shown on the display and on the logged measurement data.

¹ UP, DOWN: Scroll through measurements when there are more than four measurements, RIGHT, LEFT: Scroll through operator and sample IDs.

Section 7 Standard operation

7.1 Use an operator ID

The operator ID tag associates measurements with an individual operator. All stored data will include the operator ID.

To easily manage operator IDs, use the web application "tool.htm". Refer to the manufacturer's website for more information.

1. Push **Main Menu>Operator ID**.
2. Select an option.

Option	Description
Mode	Set the Operator ID function to on or off (default).
Select	Select an ID from a list. The current ID will be associated with sample data until a different ID is selected. Use the UP and DOWN arrows to select an operator ID from the home screen. It is possible to select the operator ID on the measurement screen before a Chemkey is in the slot or a probe is attached.
Create	Enter a name for a new operator ID.
Delete	Erase an existing operator ID.

7.2 Use a site ID

Select the site ID tag to associate measurements with a particular sample or with a location. If assigned, stored data will include this ID.

To easily manage site IDs, use the web application "tool.htm". Refer to the manufacturer's website for more information.

1. Push **Main Menu>Site ID**.
2. Select an option.

Option	Description
Mode	Set the Site ID function to manual, auto, off or routes. Manual —Select a site ID manually. Auto —The samples are numbered in sequence for each measurement until a different ID is selected. Off —The site ID function is set to off (default). Routes —Supplies an ordered subset of the complete site ID list.
Select	Select an ID from a list. The current ID will be associated with the sample data until a different ID is selected. Set Site ID>Show to Yes. Use the RIGHT or LEFT arrow to select the current site ID on the measurement screen. Make sure that Site ID>Show is set to Yes and at least one Chemkey is in the slot or one probe is attached.
Create	Add a new site ID.
Delete	Erase existing site ID(s). Note: Make sure to select the Manual mode to delete a site ID.
Show	Shows the site ID on the measurement screen. Set to on or off.
Routes	Supplies an ordered list of site IDs. If a route is selected, the site IDs automatically show on the measurement screen and are recorded. Push the RIGHT arrow to select the next location. Use the web application "tool.htm" to set up the routes. Refer to the manufacturer's website for more information.
Notes	Record special information and add this information to an event log.

7.3 Complete Chemkey measurements

NOTICE

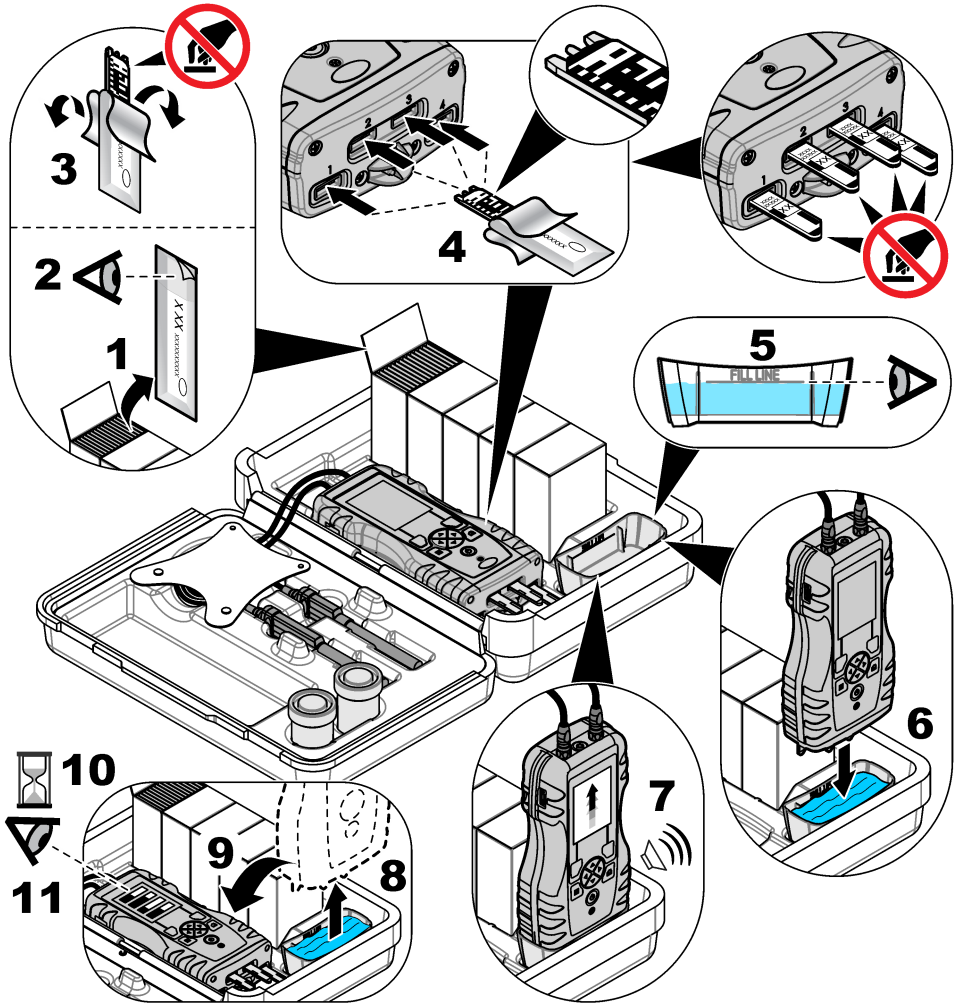
Do not start a new Chemkey measurement when other Chemkey measurements are not yet completed. Only put the meter in the sample once for a Chemkey measurement.

To complete a measurement with the Chemkey(s), do the procedure that follows. Refer to [Figure 7](#). Multiple probe measurements can be completed at the same time. Refer to [Complete probe measurements](#) on page 14.

1. Set the meter power to on.
2. If complete traceability is necessary, enter a site ID and operator ID before measurement. Refer to [Use an operator ID](#) on page 11 and [Use a site ID](#) on page 11.
3. Push the applicable Chemkey(s) fully, in one movement, into the slot(s) 1 to 4. Make sure to always use a new Chemkey for each measurement. It is important to push the Chemkey all of the way into the slot.
When a Chemkey is in a slot, do not move or touch the Chemkey.²
4. Rinse the sample cup with the sample.
5. Fill the meter sample cup to the fill-line with the sample.
6. Put the meter into the meter sample cup.
7. Wait for the sound alert and/or the meter removal animation (within 1 to 2 seconds), then immediately remove the meter from the sample cup.
Put the meter back into the case and wait until the measurement is completed. The parameters have different reaction times. The display shows a progress bar with the time that remains until the measurement is completed.
8. The measurement values are shown on the display.
Note: When an error shows, push **Details** for more information.

² A monochloramine Chemkey and a free ammonia Chemkey are both necessary to obtain a free ammonia measurement.

Figure 7 Chemkey sample measurement



7.4 Connect a probe

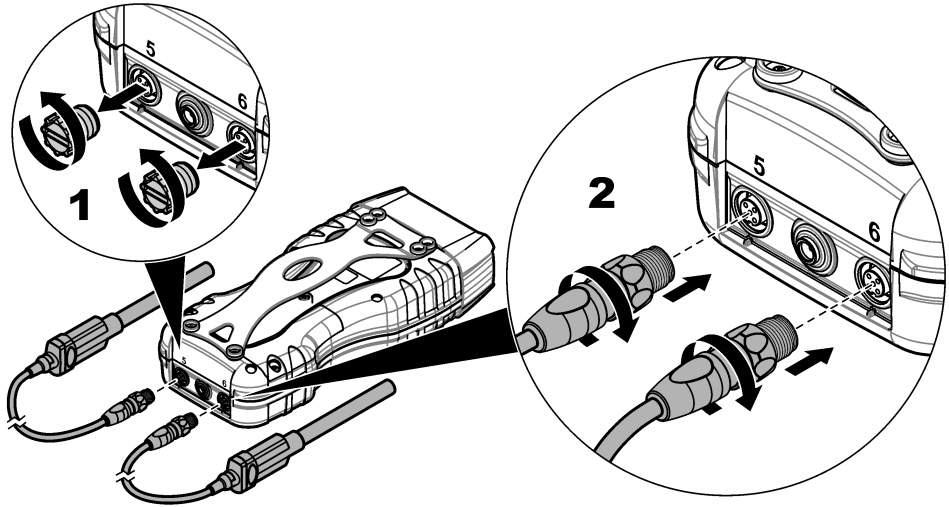
NOTICE

Do not discard the probe connector port caps. Make sure that the probe connector port caps are installed when no probe is connected.

Make sure that the display shows the current time and date and then plug the probe into the meter. Refer to [Figure 8](#).

Note: The time stamp for a probe is set when the probe is first connected to the meter. This time stamp makes it possible to record the probe history and record the time when measurements are made.

Figure 8 Probe connections



7.5 Complete probe measurements

Do the procedure that follows to complete a measurement with probe(s). Refer to [Figure 9](#). Multiple Chemkey measurements can be completed at the same time. Refer to [Complete Chemkey measurements](#) on page 12.

1. Calibrate the probes before initial use. Refer to [Calibrate the probe](#) on page 15.

Note: For the best accuracy, calibrate the probes daily.

2. Set the date and time in the meter before the probe is attached. Refer to [Change the date and time](#) on page 10.

The probe must have the correct service-life time stamp.

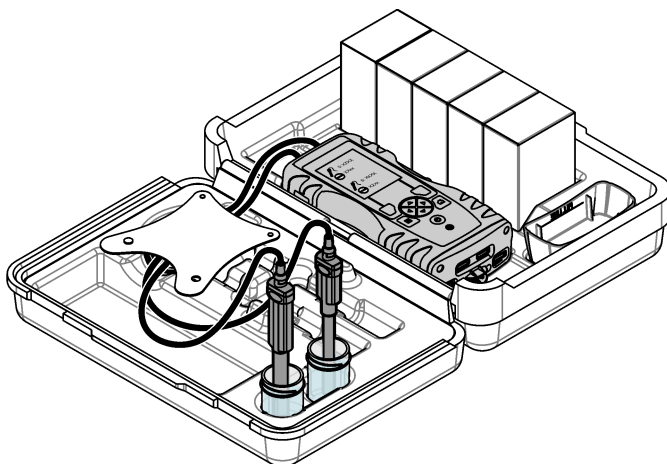
3. If complete traceability is necessary, enter a site ID and operator ID before measurement. Refer to [Use an operator ID](#) on page 11 and [Use a site ID](#) on page 11.

4. Remove the probe connector port caps and attach the probe(s). Refer to [Figure 8](#) on page 14 for the probe connection.

Note: Do not discard the probe connector port caps. Install the probe connector port caps again when no probe is connected.

5. Rinse the sample flasks with sample.
6. Fill the sample flask with sample so that the sensor is fully in the sample.
7. Put the probe(s) into the probe sample flasks and push **Read** if the measurement mode is set to **Press to Read**. Refer to the probe documentation for more information.
8. The measurement values are shown on the display.

Figure 9 Sample measurement




Section 8 Calibration

▲ CAUTION



Chemical exposure hazard. Obey laboratory safety procedures and wear all of the personal protective equipment appropriate to the chemicals that are handled. Refer to the current safety data sheets (MSDS/SDS) for safety protocols.

8.1 Calibrate the probe

Each probe uses a different type of calibration solution. Make sure to calibrate the probes frequently to maintain the highest level of accuracy. The meter will show the calibration status. If the calibration is not correct, the calibration icon with the question mark  shows until the probe is calibrated correctly. When the calibration is correct, the calibration icon with the green checkmark shows. For step-by-step instructions, refer to the documents that are included with each probe. Refer to the manufacturer's website for more information.

1. Connect a probe.
2. Push **Main Menu>Calibrate** to start a calibration.
3. Select the applicable probe if more than one is connected to the instrument.
Note: If only one probe is attached this step does not show.
4. Complete the instructions shown on the display to calibrate the probe.
Note: For an ISE probe, push the RIGHT arrow to go to the next calibration standard as necessary. Measure standards from low concentration to high concentration.
5. If necessary, do a verification. Refer to [Probe verification](#) on page 16.

8.2 Factory calibration

The manufacturer recommends that a full factory calibration be completed annually to make sure that the system operates as intended. Please contact the Hach Service Center serving your location.

8.3 Calibrate the meter for a specific Chemkey parameter

Each Chemkey uses different calibration setups. Refer to the manufacturer's website for more information.

1. Push the applicable Chemkey(s) slowly, in one movement, into the slot(s) 1 to 4.
2. Push **Main Menu>Calibrate** to start a calibration.
3. Select the applicable Chemkey.
4. Enter the applicable standard adjust value.
5. Complete the instructions shown on the display to calibrate the Chemkey.
6. If necessary, do a verification. Refer to [Chemkey verification](#) on page 16.

8.4 Probe verification

1. Push **Main Menu>Verification** to start a verification.
2. Select the applicable device.
3. Complete the instructions shown on the display to do the verification.

Note: To change the standard that is used for verification, push **Main Menu>Settings>Probe>[Select Probe]>Verification Options>Standard**.

8.5 Chemkey verification

There are two options to complete a Chemkey verification. Use a parameter-specific Chemkey or a system verification Chemkey for the verification. Refer to [Replacement parts and accessories](#) on page 22.

- **Parameter-specific Chemkey:**

1. Push the parameter specific Chemkey slowly, in one movement, into the slot(s) 1 to 4.
2. Then, push **Main Menu>Verification** to start the verification.
3. Complete the menu guided process.

- **System verification Chemkey:**

1. Push **Main Menu>Verification** to start a verification.
2. Then, push the system verification Chemkey slowly, in one movement, into the first slot.
3. Complete the menu guided process.

Section 9 Data log

The data log shows all saved measurements.

1. Push **Main Menu>Data Log**.
2. Select an option.

Option	Description
All Logs by Date	Shows sample measurement results: The probe name, probe serial number, value, unit, temperature, time, date, notes, operator ID, site ID and calibration details. The last measurement shows on the display. Push the LEFT arrow to look at the previous measurements.
Current Cal on Probe	Shows the calibration details for the most recent calibration. If the probe has not been calibrated by the user, the factory calibration data is shown.
Cal History on Probe	Shows a list of the times when the probe was calibrated. Select a date and time to view a summary of the calibration data.
Delete Data Log	Erases all data of the meter at once. The device data will be kept.

9.1 Import data to Excel

▲ WARNING



Electrical shock hazard. Externally connected equipment must have an applicable country safety standard assessment.

The meter stores the data log in an XML format. The site ID, sequence, date and time, parameter, measured value, units, operator ID, slot #, Chemkey lot code and the meter serial number can be stored in an Excel spreadsheet.

1. Set the meter power to on.
2. Connect the meter with the USB cable to the computer. The meter shows as a drive "Hach Portable Parallel Analysis" on the computer.
3. Open the "DataTemplate" folder from the drive.
4. Open the "LogTemplate.xlsx" file.
5. Right click on the cell "A2" and select XML>Import.
6. Select all log files from the "Data" folder from the "Hach Portable Parallel Analysis" drive.
7. Click **Import**.
The data log is shown in the Excel spreadsheet.
8. Save the file to the computer or to a USB flash drive if necessary.
9. Safely remove the meter from the computer. Click on the icon with the green arrow "Safely Remove Hardware and Eject Media" in the task bar.
Note: Some icons can be found under "Show hidden icons" in the task bar.
10. Disconnect the USB cable from the meter.

9.2 Look at data in a web browser

To look at the data log in a web browser, do the steps that follow. The site ID, sequence, date and time, parameter, measured value, units, operator ID, slot #, Chemkey lot code and the meter serial number are shown in the selected web browser.

1. Set the meter power to on.
2. Connect the meter with the USB cable to the computer. The meter shows as a drive "Hach Portable Parallel Analysis" on the computer.
3. Open the "Data" folder from the drive.
4. Open a data log file.
 - Open the "LogNN.XML" (NN = digits from 0 to 9) in any browser.
 - From the web browser, click **File>Open menu** and browse to the "Data" folder.
5. Save the file to the computer or to a USB flash drive if necessary.
6. Safely remove the meter from the computer. Click on the icon with the green arrow "Safely Remove Hardware and Eject Media" in the task bar.
Note: Some icons can be found under "Show hidden icons" in the task bar.
7. Disconnect the USB cable from the meter.

Section 10 Maintenance

▲ WARNING



Multiple hazards. Only qualified personnel must conduct the tasks described in this section of the document.

⚠ CAUTION



Chemical exposure hazard. Obey laboratory safety procedures and wear all of the personal protective equipment appropriate to the chemicals that are handled. Refer to the current safety data sheets (MSDS/SDS) for safety protocols.

⚠ CAUTION



Chemical exposure hazard. Dispose of chemicals and wastes in accordance with local, regional and national regulations.

10.1 Clean spills

⚠ CAUTION



Chemical exposure hazard. Dispose of chemicals and wastes in accordance with local, regional and national regulations.

1. Obey all facility safety protocols for spill control.
2. Discard the waste according to applicable regulations.

10.2 Clean the instrument

Clean the exterior of the instrument with a moist cloth and a mild soap solution and then wipe the instrument dry as necessary.

10.3 Clean or replace parts

For some errors and warnings it is a requirement to clean the Chemkey slots, the optical windows, the barcode window, the sample detector or to replace the trays. Use isopropyl alcohol to clean the parts. Use water and a mild detergent to clean the light shield. Make sure to move the cotton tipped applicator in one direction only. Refer to [Figure 10](#) to remove the optics access cover, the light shield and the trays. Refer to [Figure 11](#) and [Figure 12](#) for the detailed cleaning procedure.

Items to collect: Cotton tipped applicator, isopropyl alcohol, water and a mild detergent

Figure 10 Parts removal and reassembly

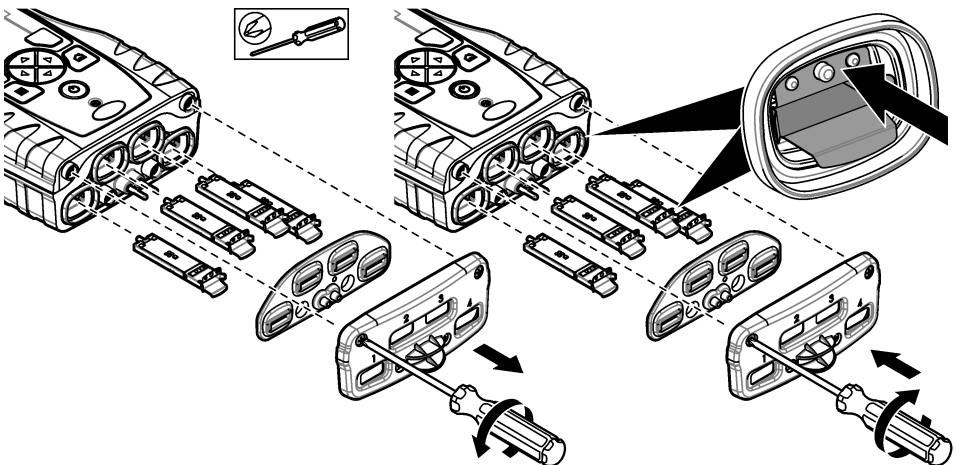
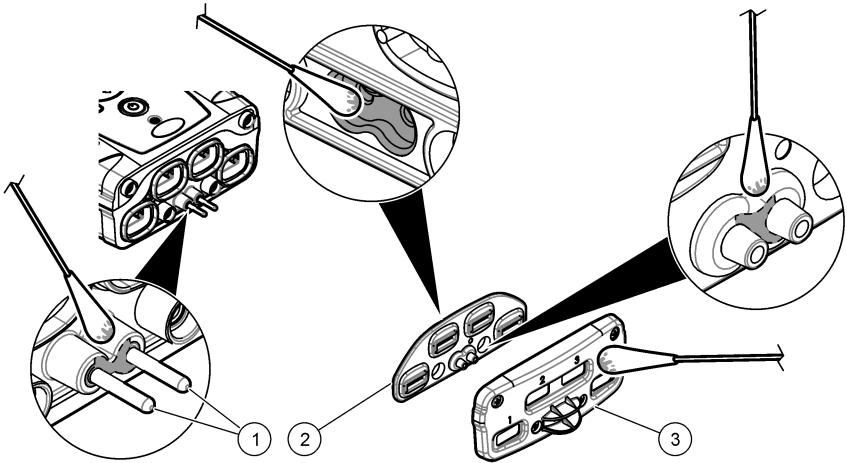
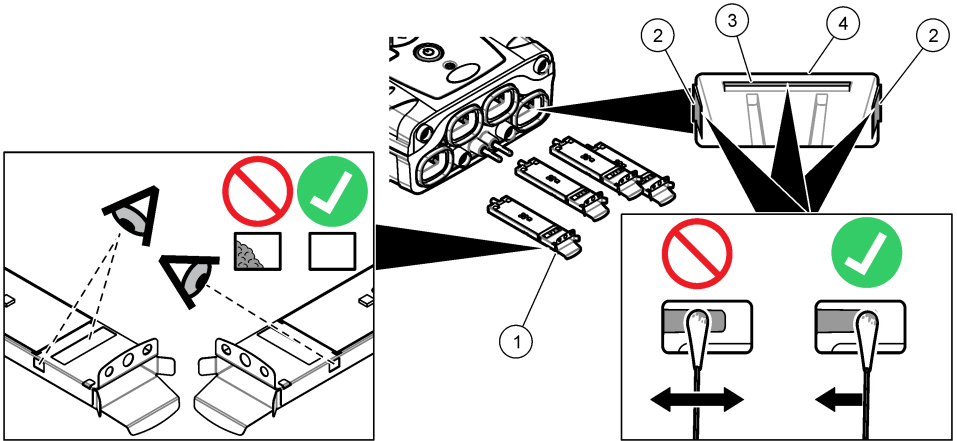


Figure 11 Clean sample detector, light shield and access cover



1 Sample detector	3 Optics access cover
2 Light shield	

Figure 12 Clean trays and Chemkey slots



1 Tray	3 Barcode window
2 Optical window	4 Chemkey slot

10.4 Charge or replace the battery

Charge the battery when the battery power level is low. Replace the battery when the battery does not hold a charge. Only use the specified battery supplied by the manufacturer. Refer to [Install the battery](#) on page 7 and [Replacement parts and accessories](#) on page 22.

10.5 Prepare for shipping

NOTICE

Potential instrument damage. Drain all water from the unit before shipment to prevent damage from freezing temperatures.

Contact technical support for instructions before the shipment to the manufacturer.

- Clean and decontaminate the instrument before shipping.
- Ship the instrument with the battery installed in the meter, but make sure that the battery is not connected to the connector.
- Disconnect the probes and remove the Chemkeys before shipping.
- Ship the instrument in the original packaging or ship the instrument in an alternative safe packaging.

Section 11 Troubleshooting

Error/Warning	Possible cause	Solution
Barcode read error Please reinsert Chemkey(s)	Chemkey does not operate correctly. Chemkey is not installed correctly.	<ul style="list-style-type: none"> • Put the Chemkey into the slot again. • Use a new Chemkey. • Clean the barcode window. Refer to Figure 12 on page 19. • If the problem still occurs, contact technical support.
Sample aspirate error.	Chemkey does not operate correctly. Chemkey is not fully pushed into the slot.	Use a new Chemkey and make sure to push the Chemkey all of the way into the slot. If the problem still occurs, contact technical support.
Chemkey Leaked. Try another		
Chemkey expired		
Measurement Error (1–4)	A measurement error occurred in the specified slot.	
Parameter not supported	The parameter is not available in the installed instrument software.	Upgrade the instrument software. Search for "SL1000" on www.hach.com . Go to the Downloads>Software/Firmware section and follow the instructions on the website.
Used Chemkey— Replace	The Chemkey has already been used or there is water in the slot.	Use a new Chemkey. If the problem still occurs, dry out the slot and the instrument and try again. If the problem still occurs, contact technical support.
Tray leaked. Replace tray.	A problem with the measured tray occurred.	Replace the tray. Refer to Figure 10 on page 18. If the problem still occurs, contact technical support.
Heater Error Replace Tray	The tray does not operate correctly.	
Remove from sample.	The meter was put into the sample before the meter was ready.	Wait until the meter is ready to be put into the sample.
Sample removed too soon		Put another Chemkey into the slot. Wait until the meter is ready to be put into the sample.

Error/Warning	Possible cause	Solution
Too much time in sample	The Chemkeys were left in the sample too long. A measurement error occurred.	Remove the Chemkeys immediately when prompted.
	The sample detector pin area is dirty if the warning shows while the meter is not in the sample.	Clean the sample detector pin area. Refer to Clean or replace parts on page 18. If the problem still occurs, contact technical support.
Over Range	The concentration is more than the upper limit of the current method.	Dilute the sample and do the measurement again.
Under Range	The concentration is less than the lower limit of the current method.	—
Tray too cold.	The meter may be too cold to heat the tray or the heater is not operational.	Move the meter to a warmer ambient temperature and measure again. Replace the tray.
Tray too hot.	The meter is too hot to make a correct measurement.	Make sure to cool the meter or move the meter out of the warm ambient area.
Too much ambient light. Insert Chemkey in darker environment	The ambient light is too high to read the barcode.	Move the meter to a darker environment and put the Chemkey into the slot again.
Low Light. Clean Chemkey slot.	Chemkey does not operate correctly. Chemkey is not installed correctly.	<ul style="list-style-type: none"> Put the Chemkey into the slot in one push. Use a new Chemkey. Clean the Chemkey slot. Refer to Figure 12 on page 19. If the problem still occurs, contact technical support.
Instrument requires service.	Module failure.	Use the modules that operate correctly. Contact technical support to repair the defective module.
Sample not found.	<ul style="list-style-type: none"> The sample cup is not filled to the fill line. The sample conductivity is less than 2 $\mu\text{S}/\text{cm}$. 	<ul style="list-style-type: none"> Make sure that the sample cup is filled to the fill line. Make sure that the sample conductivity is more than 2 $\mu\text{S}/\text{cm}$. Clean the sample detector. Refer to Figure 11 on page 19. If the problem still occurs, contact technical support.

11.1 Do a diagnostic check

The diagnostic menu shows the information about the current versions of the meter and the option to format the memory card.

1. Push **Main Menu>Diagnostics**.
2. Select an option.

Option	Description
Disk Space	Show the disk space for the user memory and for the internal memory.
Config Versions	Show the configuration versions of the meter settings.

Option	Description
Method Versions	Show the method versions of the meter.
Format Memory	Erase all meter data. Note: All meter data (e.g., meter configuration, site IDs, operator IDs, routes, notes, templates and more) will be lost when Format Memory is completed.

Section 12 Replacement parts and accessories

⚠ WARNING	
	<p>Personal injury hazard. Use of non-approved parts may cause personal injury, damage to the instrument or equipment malfunction. The replacement parts in this section are approved by the manufacturer.</p>

Note: Product and Article numbers may vary for some selling regions. Contact the appropriate distributor or refer to the company website for contact information.

Refer to the Replacement parts and accessories in the expanded version of the manual.

Inhaltsverzeichnis

- | | |
|---|---|
| 1 Online-Benutzerhandbuch auf Seite 23 | 7 Standardbetrieb auf Seite 31 |
| 2 Spezifikationen auf Seite 23 | 8 Kalibrierung auf Seite 35 |
| 3 Allgemeine Informationen auf Seite 24 | 9 Datenprotokoll auf Seite 36 |
| 4 Installation auf Seite 26 | 10 Wartung auf Seite 38 |
| 5 Benutzerschnittstelle und Navigation auf Seite 28 | 11 Fehlerbehebung auf Seite 41 |
| 6 Inbetriebnahme auf Seite 30 | 12 Ersatzteile und Zubehör auf Seite 43 |

Kapitel 1 Online-Benutzerhandbuch

Dieses Basis-Benutzerhandbuch enthält weniger Informationen als das Benutzerhandbuch, das auf der Website des Herstellers verfügbar ist.

Kapitel 2 Spezifikationen

Änderungen vorbehalten.

Spezifikationen	Details
Abmessungen (B x T x H)	13.08 x 5.89 x 25.83 cm (5.15 x 2.32 x 10.17 Zoll)
Gehäuseschutzart	IP64, wenn die Messfühleranschlusskappen installiert oder die Messfühler am Gerät angeschlossen sind
Gewicht	1.2 kg (2.7 lb)
Spannungsversorgung (intern)	Lithium-Ionenakku, 7,4V, 5.0Ah (5000mAh)
Spannungsversorgung (extern)	100 V-240 VAC, 50/60 Hz-Eingang, 12 V bei 3 A-Ausgang
Betriebstemperatur (nicht ladend)	5 bis 50 °C (41 bis 122 °F); maximal 85 % relative Luftfeuchtigkeit (nicht-kondensierend)
Ladetemperatur	5 bis 45 °C (41 bis 113 °F); maximal 85 % relative Luftfeuchtigkeit (nicht-kondensierend)
Lagerungstemperatur	-20 bis 60 °C (-4 bis 140 °F), maximal 85 % relative Luftfeuchtigkeit (nicht-kondensierend)
Schnittstelle	Mini-USB-Anschluss
5-poliger Eingangsstecker	Zwei M12-Steckverbinder für IntelliCal-Messfühler
Externer Netzanschluss	2,5 mm Stecker
Chemkey-Slots	4
Datenspeicher	1000 Messwerte (Ergebnis, Datum, Uhrzeit, Standort-ID, Anwender-ID)
Datenspeicher	Automatisch im Messmodus „Zum Messen drücken“ Manuell im Messmodus „Kontinuierlich“
Temperaturkorrektur (für IntelliCal™-Messfühler)	Aus, automatisch und manuell (parameterabhängig)
Messwertanzeigerverriegelung (für IntelliCal™-Messfühler)	In den Messmodi „Zum Messen drücken“ und „Kontinuierlich“
Schutzklasse	III
Zertifizierungen	CE, UKCA, FCC, ISED, RCM, KC
Gewährleistung	1 Jahr

Kapitel 3 Allgemeine Informationen

Der Hersteller haftet in keinem Fall für Schäden, die aus einer unsachgemäßen Verwendung des Produkts oder der Nichteinhaltung der Anweisungen in der Bedienungsanleitung resultieren. Der Hersteller behält sich jederzeit und ohne vorherige Ankündigung oder Verpflichtung das Recht auf Verbesserungen an diesem Handbuch und den hierin beschriebenen Produkten vor. Überarbeitete Ausgaben der Bedienungsanleitung sind auf der Hersteller-Webseite erhältlich.

3.1 Sicherheitshinweise

Der Hersteller ist nicht für Schäden verantwortlich, die durch Fehlanwendung oder Missbrauch dieses Produkts entstehen, einschließlich, aber ohne Beschränkung auf direkte, zufällige oder Folgeschäden, und lehnt jegliche Haftung im gesetzlich zulässigen Umfang ab. Der Benutzer ist selbst dafür verantwortlich, schwerwiegende Anwendungsrisiken zu erkennen und erforderliche Maßnahmen durchzuführen, um die Prozesse im Fall von möglichen Gerätefehlern zu schützen.

Bitte lesen Sie dieses Handbuch komplett durch, bevor Sie dieses Gerät auspacken, aufstellen oder bedienen. Beachten Sie alle Gefahren- und Warnhinweise. Nichtbeachtung kann zu schweren Verletzungen des Bedienpersonals oder Schäden am Gerät führen.

Stellen Sie sicher, dass die durch dieses Messgerät gebotene Sicherheit nicht beeinträchtigt wird. Verwenden bzw. installieren Sie das Messgerät nur wie in diesem Handbuch beschrieben.

3.1.1 Bedeutung von Gefahrenhinweisen

GEFAHR

Kennzeichnet eine mögliche oder drohende Gefahrensituation, die, wenn sie nicht vermieden wird, zum Tod oder zu schweren Verletzungen führt.

WARNUNG

Kennzeichnet eine mögliche oder drohende Gefahrensituation, die, wenn sie nicht vermieden wird, zum Tod oder zu schweren Verletzungen führen kann.

VORSICHT

Kennzeichnet eine mögliche Gefahrensituation, die zu leichteren Verletzungen führen kann.

ACHTUNG

Kennzeichnet eine Situation, die, wenn sie nicht vermieden wird, das Gerät beschädigen kann. Informationen, die besonders beachtet werden müssen.

3.1.2 Warnhinweise

Lesen Sie alle am Gerät angebrachten Aufkleber und Hinweise. Nichtbeachtung kann Verletzungen oder Beschädigungen des Geräts zur Folge haben. Im Handbuch wird in Form von Warnhinweisen auf die am Gerät angebrachten Symbole verwiesen.



Dieses Symbol am Gerät weist auf Betriebs- und/oder Sicherheitsinformationen im Handbuch hin.



Elektrogeräte, die mit diesem Symbol gekennzeichnet sind, dürfen nicht im normalen öffentlichen Abfallsystem entsorgt werden. Senden Sie Altgeräte an den Hersteller zurück. Dieser entsorgt die Geräte ohne Kosten für den Benutzer.

3.1.3 Zertifizierungen

EN 55011/CISPR 11 Mitteilungswarnung

Dies ist ein Produkt der Klasse A. In Haushaltsumgebungen kann dieses Produkt Funkstörungen verursachen, die dazu führen können, dass der Benutzer Gegenmaßnahmen ergreifen muss.

Kanadische Vorschriften zu Störungen verursachenden Einrichtungen, ICES-003, Klasse A:

Entsprechende Prüfnachweise hält der Hersteller bereit.

Dieses digitale Gerät der Klasse A erfüllt alle Vorgaben der kanadischen Normen für Interferenz verursachende Geräte.

Cet appareil numérique de classe A répond à toutes les exigences de la réglementation canadienne sur les équipements provoquant des interférences.

FCC Teil 15, Beschränkungen der Klasse "A"

Entsprechende Prüfnachweise hält der Hersteller bereit. Das Gerät entspricht Teil 15 der FVV-Vorschriften. Der Betrieb unterliegt den folgenden Bedingungen:

1. Das Gerät darf keine Störungen verursachen.
2. Das Gerät muss jegliche Störung, die es erhält, einschließlich jener Störungen, die zu unerwünschtem Betrieb führen, annehmen.

Änderungen oder Modifizierungen an diesem Gerät, die nicht ausdrücklich durch die für die Einhaltung der Standards verantwortliche Stelle bestätigt wurden, können zur Aufhebung der Nutzungsberechtigung für das Gerät führen. Dieses Gerät wurde geprüft, und es wurde festgestellt, dass es die Grenzwerte für digitale Geräte der Klasse A entsprechend Teil 15 der FCC-Vorschriften einhält. Diese Grenzwerte bieten beim Einsatz der Ausrüstung in gewerblichen Umgebungen einen ausreichenden Schutz gegen Verletzungen. Dieses Gerät erzeugt und nutzt hochfrequente Energie und kann diese auch abstrahlen, und es kann, wenn es nicht in Übereinstimmung mit der Bedienungsanleitung installiert und eingesetzt wird, schädliche Störungen der Funkkommunikation verursachen. Der Betrieb dieses Geräts in Wohngebieten kann schädliche Störungen verursachen. In diesem Fall muss der Benutzer die Störungen auf eigene Kosten beseitigen. Probleme mit Interferenzen lassen sich durch folgende Methoden mindern:

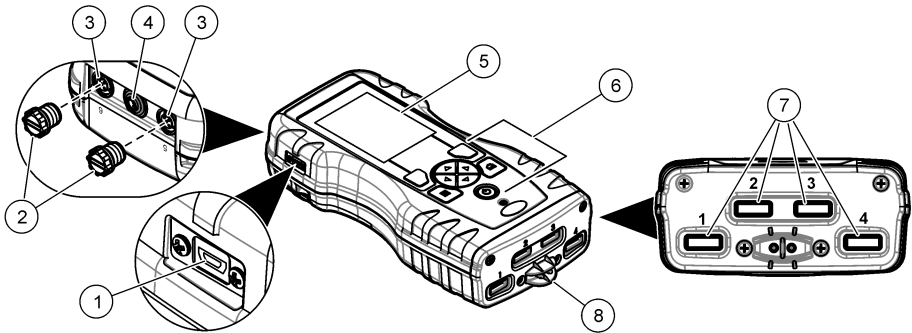
1. Trennen Sie das Gerät von der Stromversorgung, um sicherzugehen, dass dieser die Störungen nicht selbst verursacht.
2. Wenn das Gerät an die gleiche Steckdose angeschlossen ist wie das gestörte Gerät, schließen Sie das störende Gerät an eine andere Steckdose an.
3. Vergrößern Sie den Abstand zwischen diesem Gerät und dem gestörten Gerät.
4. Ändern Sie die Position der Empfangsantenne des gestörten Geräts.
5. Versuchen Sie auch, die beschriebenen Maßnahmen miteinander zu kombinieren.

3.2 Produktübersicht

Der portable Parallelanalysator SL1000 misst bis zu sechs Parameter in Trinkwasser- und anderen Wasseraufbereitungsanwendungen gleichzeitig. Das Messgerät verwendet Chemkeys® und digitale IntelliCAL™-Messfühler zum Messen verschiedener Parameter in Wasser. Das Messgerät bestimmt den Typ des eingesetzten Chemkeys oder des an das Messgerät angeschlossenen Messfühlers automatisch.

Das Messgerät kann bis zu vier Chemkeys und bis zu zwei Messfühler für die Messungen verwenden. Siehe [Abbildung 1](#).

Abbildung 1 Produktübersicht



1 Mini-USB-Anschluss	5 Display
2 Messfühleranschlusskappen	6 Tastatur
3 Messfühleranschlüsse	7 Chemkey-Slots
4 Netzanschluss	8 Probendetektor

3.3 Produktkomponenten

Stellen Sie sicher, dass Sie alle Teile erhalten haben. Weitere Hinweise finden Sie in der mitgelieferten Dokumentation. Wenn Komponenten fehlen oder beschädigt sind, wenden Sie sich bitte umgehend an den Hersteller oder Verkäufer.

Kapitel 4 Installation

⚠ WARNUNG



Mehrere Gefahren. Nur qualifiziertes Personal sollte die in diesem Kapitel des Dokuments beschriebenen Aufgaben durchführen.

4.1 Lithium-Akku-Sicherheit

⚠ WARNUNG



Brand- und Explosionsgefahr. Lithiumakkus können heiß werden, explodieren oder sich entzünden und schwere Verletzungen verursachen, wenn sie unsachgemäß verwendet werden.

- Verwenden Sie den Akku nicht, wenn er sichtbare Schäden aufweist.
- Verwenden Sie den Akku nicht nach starken Stößen oder Vibrationen.
- Halten Sie den Akku von Feuer fern.
- Sorgen Sie dafür, dass die Temperatur des Akkus 60 °C (140 °F) nicht übersteigt.
- Setzen Sie den Akku keiner Feuchtigkeit aus.
- Vermeiden Sie Kontakt zwischen den positiven und negativen Akkuklemmen.
- Lassen Sie nicht zu, dass nicht autorisierte Personen den Akku berühren.
- Akkus müssen entsprechend den lokalen, regionalen und nationalen Vorschriften entsorgt werden.

- Verwenden und lagern Sie das Gerät nicht bei direkter Sonneneinstrahlung, in der Nähe einer Wärmequelle oder in Umgebungen mit hohen Temperaturen, etwa einem geschlossenen Fahrzeug bei direkter Sonneneinstrahlung.

4.2 Einsetzen des Akkus

▲ WARNUNG



Brand- und Explosionsgefahr. Diese Ausrüstung ist mit einer leistungsstarken Lithiumbatterie ausgestattet, die sich selbst im ausgeschalteten Zustand entzünden und einen Brand oder eine Explosion verursachen kann. Um die durch das Gerätegehäuse gewährleistete Sicherheit zu erhalten, müssen die Gehäusedeckel mit dem im Lieferumfang enthaltenen Werkzeug montiert und festgezogen werden.



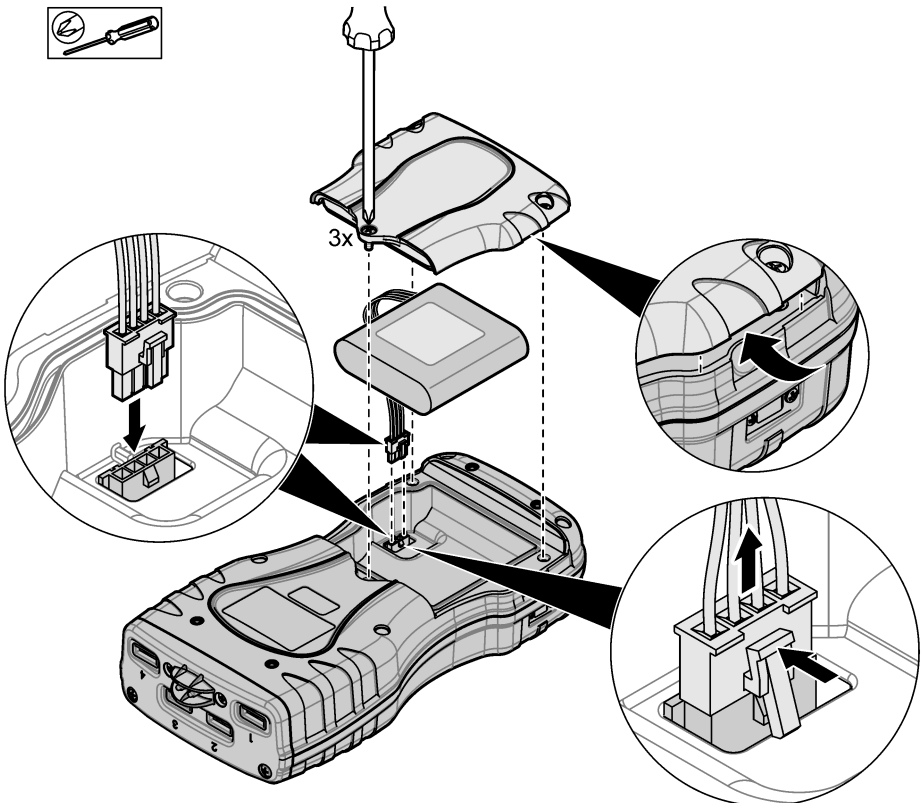
▲ WARNUNG



Explosions- und Feuergefahr. Eine Substitution der Batterie ist unzulässig. Benutzen Sie nur Batterien, die vom Gerätehersteller geliefert werden.

Verwenden Sie nur den vom Hersteller mitgelieferten Lithium-Ionen-Akku. Anweisungen zum Einsetzen und Entfernen des Akkus finden Sie unter [Abbildung 2](#).

Abbildung 2 Einsetzen und Entfernen des Akkus



4.3 Aufladen des Akkus

▲ WARNUNG



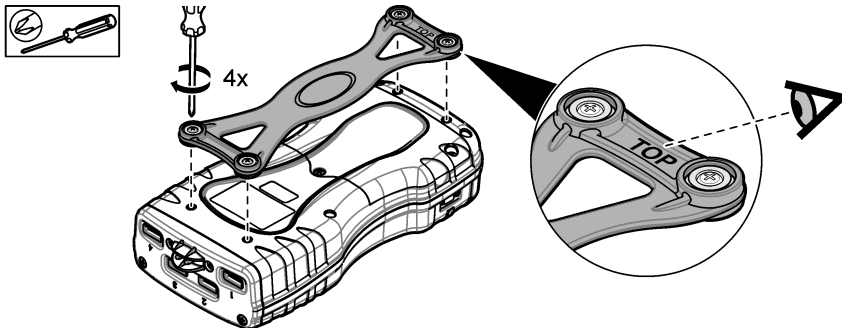
Brandgefahr. Die Eigenschaften des verwendeten Stromversorgungsnetzes müssen mit den Spezifikationen des Geräts übereinstimmen.

1. Verbinden Sie das externe Netzteil mit einer Steckdose.
2. Verbinden Sie das externe Netzteil mit dem Netzanschluss des Messgeräts. Siehe [Produktübersicht](#) auf Seite 25.
 - Das Gerät kann während des Aufladens des Akkus in Betrieb sein.
 - Das externe Netzteil darf nicht ausgetauscht werden. Verwenden Sie ausschließlich das in der Teile- und Zubehörliste des Geräts aufgeführte externe Netzteil. Siehe [Ersatzteile und Zubehör](#) auf Seite 43.
 - Laden Sie den Akku nicht länger als 24 Stunden auf.

4.4 Anbringen der Handschlaufe

Bringen Sie die Handschlaufe an, um das Messgerät sicher halten zu können. Siehe [Abbildung 3](#).

Abbildung 3 Anbringen der Handschlaufe

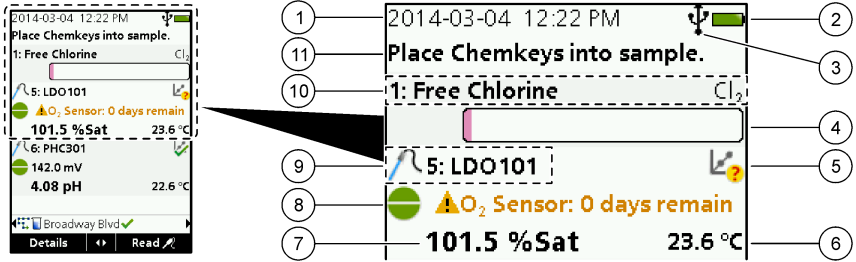


Kapitel 5 Benutzerschnittstelle und Navigation

5.1 Displaybeschreibung

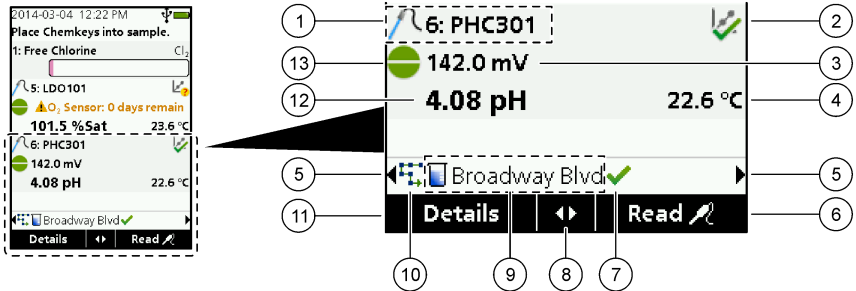
Eine Beschreibung für den Messbildschirm finden Sie in [Abbildung 4](#) und [Abbildung 5](#).

Abbildung 4 Messbildschirm (oberer Teil)



1 Datum und Uhrzeit	7 Primärer Messwert (vom Benutzer gewählter Parameter)
2 Batteriestatus	8 Stabilitätssymbol mit Warnsymbol und Warnmeldung
3 Symbol für aktive USB-Verbindung (COM-Port), wenn die Kommunikationsklasse ausgewählt ist	9 Messfühlersymbol, Anschlussnummer, Parameter- oder Messfühlername
4 Fortschrittsbalken (nicht abgeschlossene Messung)	10 Slotnummer, Parametername und chemisches Symbol
5 Kalibrierungsstatussymbol (nicht korrekte Kalibrierung)	11 Sehr wichtige Meldung für Geräte (gefolgt von Fehler- und dann Warnmeldung)
6 Sekundärer Messwert (vom Benutzer gewählter Parameter)	

Abbildung 5 Messbildschirm (unterer Teil)

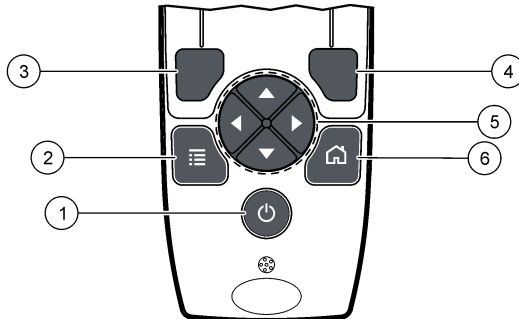


1 Messfühlersymbol, Anschlussnummer, Parameter- oder Messfühlername	8 Aktive Pfeiltasten
2 Kalibrierungsstatussymbol (korrekte Kalibrierung)	9 Standort-ID-Symbol und Standortname
3 Sekundärer Messwert (vom Benutzer gewählter Parameter)	10 Routensymbol (wird angezeigt, wenn „Routen“ aktiviert ist)
4 Tertiärer Messwert (vom Benutzer gewählter Parameter)	11 Optionen (kontextabhängig: Details, Verlassen, Abbrechen, Auswählen, Abwählen)
5 Rechts- und Linkspfeil für die Auswahl der entsprechenden Standort-ID	12 Primärer Messwert (vom Benutzer gewählt)
6 Optionen (kontextabhängig: Messen, Auswählen, OK, Löschen)	13 Stabilitätssymbol
7 Häkchen: Messung wurde vor Ort abgeschlossen	

5.2 Beschreibung des Tastenfelds

Eine Beschreibung des Tastenfelds und Informationen zur Navigation finden Sie unter [Abbildung 6](#).

Abbildung 6 Beschreibung des Tastenfelds



1 EIN-/AUS-Taste	4 RECHTS-Auswahltaste (kontextabhängig): Proben messen, Optionen löschen, wählen oder bestätigen oder Untermenüs öffnen
2 HAUPTMENÜ-Taste: Prüfung, Kalibrierung, Routen, Einstellungen, Datenprotokoll, Informationen, Diagnose, Anwender-ID und Standort-ID wählen	5 Navigationstasten AUF, AB, RECHTS, LINKS ¹ : Blättert durch Menüs; Eingabe von Zahlen und Buchstaben
3 LINKS-Auswahltaste (kontextabhängig): Details, Auswählen bzw. Abwählen, bricht den aktuellen Menübildschirm ab oder verlässt ihn, um zum vorherigen zurückzukehren	6 HOME: Wechseln zur Hauptmessanzeige

Kapitel 6 Inbetriebnahme

6.1 Einschalten

Drücken Sie die Taste **EIN/AUS**, um das Messgerät ein- oder auszuschalten. Wenn sich das Messgerät nicht einschalten lässt, vergewissern Sie sich, dass der Akku ordnungsgemäß eingesetzt ist.

6.2 Ändern der Sprache

Wählen Sie die Sprache für die Anzeige aus, wenn Sie das Gerät zum ersten Mal einschalten. Ändern Sie die Sprache über das Menü **Einstellungen**.

1. Drücken Sie **Einstellungen > Sprache**.
2. Wählen Sie die gewünschte Sprache.

6.3 Ändern von Datum und Zeit

Zum Ändern des Datums, der Zeit und des Formats gibt es zwei Möglichkeiten:

- Stellen Sie das Datum und die Uhrzeit ein, wenn das Messgerät erstmals eingeschaltet wird.

¹ AUF, AB: Blättert durch die Messwerte, wenn über vier Messwerte vorhanden sind; RECHTS, LINKS: Blättert durch die Anwender- und Proben-IDs

- Das Datum und die Zeit können im Menü „Datum und Uhrzeit“ geändert werden.

1. Wählen Sie dazu **Einstellungen > Messgerät > Datum und Uhrzeit**.
2. Wählen Sie das Format für das Datum und die Zeit mithilfe der Pfeiltasten aus, und geben Sie dann die aktuelle Zeit und das aktuelle Datum ein.
Das aktuelle Datum und die aktuelle Zeit werden auf dem Display angezeigt und in den protokollierten Messdaten aufgeführt.

Kapitel 7 Standardbetrieb

7.1 Verwenden einer Anwender-ID

Die Anwender-ID-Kennung ordnet Messungen einem bestimmten Bediener zu. Alle gespeicherten Daten enthalten die Anwender-ID.

Verwenden Sie die Webanwendung „tool.htm“ zur einfachen Verwaltung der Anwender-IDs. Weitere Informationen finden Sie auf der Website des Herstellers.

1. Drücken Sie **Hauptmenü > Anwender-ID**.
2. Wählen Sie eine Option.

Optionen	Beschreibung
Modus	Stellen Sie die Anwender-ID-Funktion auf „Ein“ oder „Aus“ (Standardeinstellung) ein.
Auswählen	Wählen Sie eine ID aus einer Liste. Die aktuelle ID wird den Probandaten zugewiesen, bis eine andere ID gewählt wird. Verwenden Sie die Pfeiltasten AUF und AB, um eine Anwender-ID auf dem Startbildschirm auszuwählen. Es ist möglich, eine Anwender-ID auf dem Messbildschirm auszuwählen, bevor ein Chemkey in den Slot eingesetzt oder ein Messfühler angeschlossen wird.
Erstellen	Geben Sie einen Namen für die neue Anwender-ID ein.
Löschen	Löschen Sie eine vorhandene Anwender-ID.

7.2 Verwenden einer Standort-ID

Wählen Sie die Standort-ID-Kennung aus, um Messungen einer bestimmten Probe oder einem Standort zuzuweisen. Wenn sie zugewiesen wurde, enthalten alle gespeicherten Daten diese ID. Verwenden Sie die Webanwendung „tool.htm“ zur einfachen Verwaltung der Standort-IDs. Weitere Informationen finden Sie auf der Website des Herstellers.

1. Drücken Sie **Hauptmenü > Standort-ID**.
2. Wählen Sie eine Option.

Optionen	Beschreibung
Modus	Stellen Sie die Standort-ID-Funktion auf „Manuell“, „Auto“, „Aus“ oder „Routen“. Manuell: Wählen Sie manuell eine Standort-ID. Auto: Die Proben werden in der Reihenfolge der Messungen nummeriert, bis eine andere ID gewählt wird. Aus: Die Standort-ID-Funktion ist auf „Aus“ eingestellt (Standardeinstellung). Routen: Stellt eine geordnete Teilmenge der Standort-ID-Liste bereit.
Auswählen	Wählen Sie eine ID aus einer Liste. Die aktuelle ID wird den Probandaten zugewiesen, bis eine andere ID gewählt wird. Stellen Sie Standort-ID > Anzeigen auf „Ja“ ein. Verwenden Sie die Pfeiltaste RECHTS oder LINKS, um die aktuelle Standort-ID auf dem Messbildschirm auszuwählen. Vergewissern Sie sich, dass Standort-ID > Anzeigen auf „Ja“ eingestellt und dass mindestens ein Chemkey in den Slot eingesetzt oder ein Messfühler angeschlossen ist.
Erstellen	Fügen Sie eine neue Standort-ID hinzu.
Löschen	Löschen Sie vorhandene Standort-IDs. Hinweis: Stellen Sie zum Löschen einer Standort-ID sicher, dass der Modus Manuell gewählt ist.

Optionen	Beschreibung
Anzeigen	Zeigt die Standort-ID auf dem Messbildschirm an. Aktivieren oder deaktivieren Sie diese Option.
Routen	Stellt eine geordnete Liste der Standort-IDs bereit. Wenn eine Route gewählt wird, werden die Standort-IDs automatisch auf dem Messbildschirm angezeigt und aufgezeichnet. Drücken Sie die Pfeiltaste RECHTS , um den nächsten Standort auszuwählen. Verwenden Sie die Webanwendung „tool.htm“, um Routen festzulegen. Weitere Informationen finden Sie auf der Website des Herstellers.
Anmerkungen	Zeichnen Sie besondere Informationen auf, und führen Sie diese einem Ereignisprotokoll hinzu.

7.3 Ausführen von Chemkey-Messungen

ACHTUNG

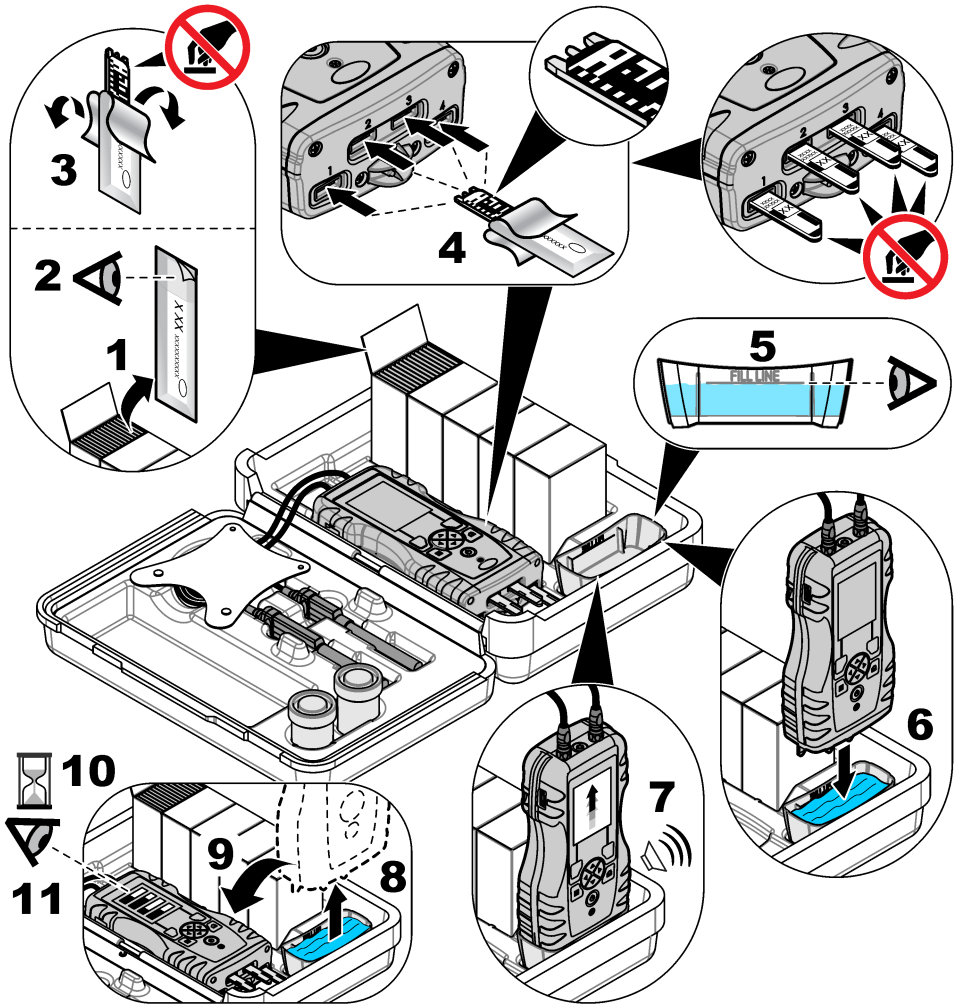
Beginnen Sie keine neue Chemkey-Messung, wenn andere Chemkey-Messungen noch nicht abgeschlossen sind. Setzen Sie das Messgerät für eine Chemkey-Messung nur ein Mal in die Probe.

Führen Sie für eine Messung mit einem Chemkey bzw. mehreren Chemkeys das folgende Verfahren aus. Siehe [Abbildung 7](#). Es können mehrere Messfühlermessungen gleichzeitig ausgeführt werden. Siehe [Ausführen von Messfühlermessungen](#) auf Seite 34.

1. Schalten Sie das Messgerät ein.
2. Wenn eine vollständige Rückführbarkeit erforderlich ist, geben Sie vor der Messung eine Standort-ID und eine Anwender-ID ein. Siehe [Verwenden einer Anwender-ID](#) auf Seite 31 und [Verwenden einer Standort-ID](#) auf Seite 31.
3. Drücken Sie den entsprechenden Chemkey bzw. die entsprechenden Chemkeys in einer Bewegung vollständig in die Slots 1 bis 4. Verwenden Sie für jede Messung immer einen neuen Chemkey. Es ist wichtig, dass der Chemkey vollständig in den Slot gedrückt wird. Bewegen oder berühren Sie einen Chemkey nicht, wenn er sich im Slot befindet.²
4. Reinigen Sie den Probenbecher mit der Probe.
5. Füllen Sie den Probenbecher bis zur Auffülllinie mit der Probe.
6. Setzen Sie das Messgerät in den Probenbecher ein.
7. Warten Sie auf den Signalton oder die Animation zum Entfernen des Messgeräts (innerhalb von 1 bis 2 Sekunden), und entfernen Sie das Messgerät dann sofort vom Probenbecher. Legen Sie das Messgerät in das Futteral zurück, und warten Sie, bis die Messung abgeschlossen ist. Verschiedene Parameter haben verschiedene Reaktionszeiten. Das Display zeigt einen Fortschrittsbalken mit der Restzeit bis zum Abschluss der Messung an.
8. Die gemessenen Werte werden auf dem Display angezeigt.
*Hinweis: Wird ein Fehler angezeigt, drücken Sie für weitere Informationen auf **Details**.*

² Für eine Messung von freiem Ammoniak sind sowohl ein Monochloramin-Chemkey als auch ein Chemkey für freies Ammoniak nötig.

Abbildung 7 Chemkey-Messung einer Probe



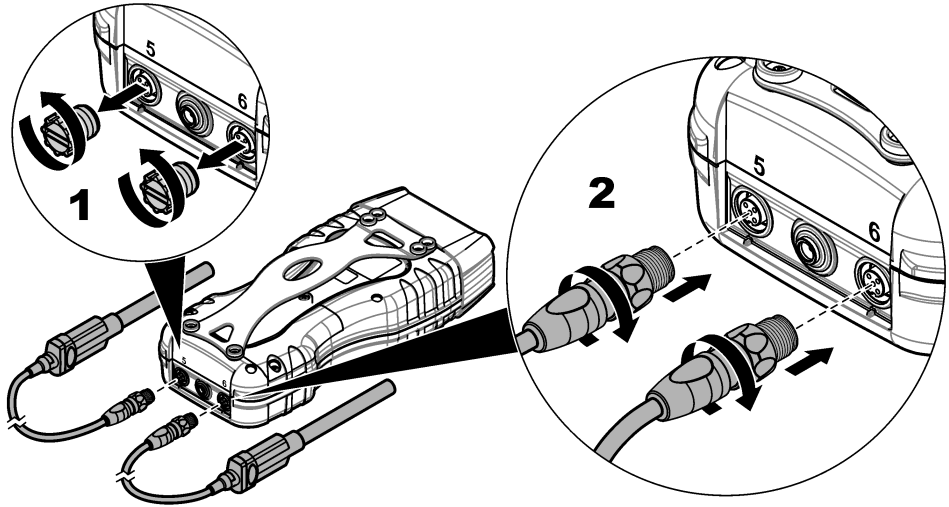
7.4 Anschließen eines Messfühlers

ACHTUNG

Werfen Sie die Messfühleranschlusskappen nicht weg. Stellen Sie sicher, dass die Messfühleranschlusskappen angebracht sind, wenn kein Messfühler verbunden ist.

Stellen Sie sicher, dass das Display die aktuelle Uhrzeit und das aktuelle Datum anzeigt, und schließen Sie dann den Messfühler an das Messgerät an. Siehe [Abbildung 8](#).

Hinweis: Der Zeitstempel wird beim ersten Anschluss des Messfühlers an das Messgerät festgelegt. Dieser Zeitstempel ermöglicht die Aufzeichnung einer Messfühlerhistorie und der Zeit, zu denen Messungen erfolgt sind.



7.5 Ausführen von Messfühlermessungen

Führen Sie für eine Messung mit einem Messfühler bzw. mehreren Messfühlern das folgende Verfahren aus. Siehe [Abbildung 9](#). Es können mehrere Chemkey-Messungen gleichzeitig ausgeführt werden. Siehe [Ausführen von Chemkey-Messungen](#) auf Seite 32.

1. Kalibrieren Sie den Messfühler vor der ersten Verwendung. Siehe [Kalibrieren des Messfühlers](#) auf Seite 35.

Hinweis: Kalibrieren Sie die Messfühler täglich, um eine optimale Genauigkeit zu erhalten.

2. Stellen Sie vor dem Anschließen des Messfühlers Datum und Zeit im Messgerät ein. Siehe [Ändern von Datum und Zeit](#) auf Seite 30.

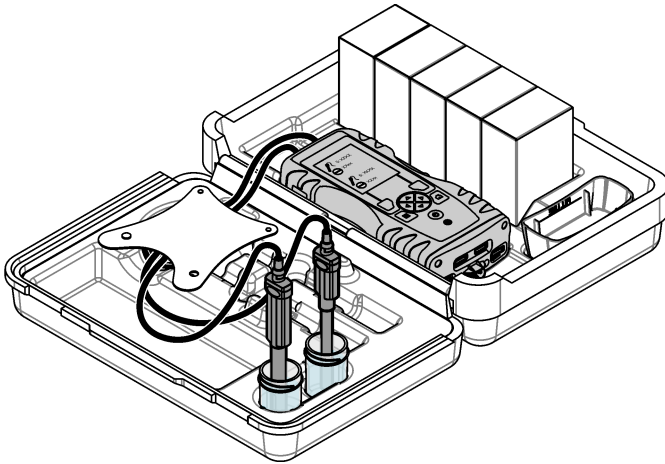
Der Messfühler muss einen korrekten Lebensdauer-Zeitstempel haben.

3. Wenn eine vollständige Rückführbarkeit erforderlich ist, geben Sie vor der Messung eine Standort-ID und eine Anwender-ID ein. Siehe [Verwenden einer Anwender-ID](#) auf Seite 31 und [Verwenden einer Standort-ID](#) auf Seite 31.

4. Entfernen Sie die Messfühleranschlusskappen und schließen Sie den Messfühler bzw. die Messfühler an. Siehe [Abbildung 8](#) auf Seite 34 für Informationen zum Messfühleranschluss.

Hinweis: Werfen Sie die Messfühleranschlusskappen nicht weg. Installieren Sie die Messfühleranschlusskappen erneut, wenn kein Messfühler angeschlossen ist.

5. Reinigen Sie die Probenflaschen mit der Probe.
6. Füllen Sie die Probenflasche mit der Probe, sodass der Sensor vollständig in der Probe ist.
7. Setzen Sie die Messfühler in die Probenflaschen ein, und drücken Sie **Messen**, wenn der Messmodus auf **Zum Messen drücken** eingestellt ist. Weitere Informationen finden Sie in der Messfühlerdokumentation.
8. Die gemessenen Werte werden auf dem Display angezeigt.




Kapitel 8 Kalibrierung

⚠ VORSICHT



Gefahr durch Kontakt mit Chemikalien. Halten Sie sich an die Sicherheitsmaßnahmen im Labor, und tragen Sie Schutzkleidung entsprechend den Chemikalien, mit denen Sie arbeiten. Beachten Sie die Sicherheitsprotokolle in den aktuellen Material Sicherheitsdatenblättern (MSDS/SDB).

8.1 Kalibrieren des Messfühlers

Für jeden Messfühler wird eine andere Art von Kalibrierungslösung verwendet. Um die höchstmögliche Genauigkeit aufrechtzuerhalten, sollten Sie die Messfühler regelmäßig kalibrieren. Das Messgerät zeigt den Kalibrierungsstatus an. Wenn die Kalibrierung nicht korrekt ist, wird das Kalibrierungssymbol mit dem Fragezeichen  solange angezeigt, bis der Messfühler ordnungsgemäß kalibriert ist. Wenn die Kalibrierung korrekt ist, wird das Kalibrierungssymbol mit dem grünen Häkchen angezeigt. Die Kalibrierungsschritte sind in den zum Lieferumfang der Messfühler gehörenden Dokumenten zu finden. Weitere Informationen finden Sie auf der Website des Herstellers.

1. Schließen Sie einen Messfühler an.
2. Drücken Sie **Hauptmenü > Kalibrieren**, um die Kalibrierung zu beginnen.
3. Sollten mehr als ein Messfühler am Gerät angeschlossen sein, wählen Sie den entsprechende n Messfühler aus.

Hinweis: Wenn nur ein Messfühler angeschlossen ist, wird dieser Schritt nicht angezeigt.

4. Führen Sie die auf dem Display angezeigten Anweisungen aus, um den Messfühler zu kalibrieren.

Hinweis: Drücken Sie bei einem ISE-Messfühler auf den Pfeil nach RECHTS, um nach Bedarf zum nächsten Kalibrierstandard zu gelangen. Messen Sie Standards von niedrigen bis hohen Konzentrationen.

5. Führen Sie ggf. eine Prüfung durch. Siehe [Messfühlerprüfung](#) auf Seite 36.

8.2 Werkseitige Kalibrierung

Der Hersteller empfiehlt, einmal jährlich eine vollständige werkseitige Kalibrierung durchzuführen, um sicherzustellen, dass das System wie gewünscht funktioniert. Bitte wenden Sie sich an das Hach Service Center, das für Sie zuständig ist.

8.3 Kalibrieren des Messgeräts für einen spezifischen Chemkey-Parameter

Für jeden Chemkey werden andere Kalibrierungseinstellungen verwendet. Weitere Informationen finden Sie auf der Website des Herstellers.

1. Drücken Sie den entsprechenden Chemkey bzw. die entsprechenden Chemkeys langsam in einer Bewegung in den Slot 1 bzw. die Slots 1 bis 4.
2. Drücken Sie **Hauptmenü > Kalibrieren**, um die Kalibrierung zu beginnen.
3. Wählen Sie den entsprechenden Chemkey aus.
4. Geben Sie den entsprechenden Standardanpassungswert ein.
5. Führen Sie die auf dem Display angezeigten Anweisungen aus, um den Chemkey zu kalibrieren.
6. Führen Sie ggf. eine Prüfung durch. Siehe [Chemkey-Prüfung](#) auf Seite 36.

8.4 Messfühlerprüfung

1. Drücken Sie **Hauptmenü > Prüfung**, um die Prüfung zu beginnen.
2. Wählen Sie das entsprechende Gerät aus.
3. Führen Sie die auf dem Display angezeigten Anweisungen aus, um die Prüfung durchzuführen.

*Hinweis: Um den Standard für die Prüfung zu ändern, drücken Sie **Hauptmenü > Einstellungen > Messfühler > [Messfühler auswählen] > Prüfungsoptionen > Standard**.*

8.5 Chemkey-Prüfung

Für eine vollständige Chemkey-Prüfung gibt es zwei Möglichkeiten. Sie können einen parameterspezifischen Chemkey oder einen Systemprüfungs-Chemkey für die Prüfung verwenden. Siehe [Ersatzteile und Zubehör](#) auf Seite 43.

- **Parameterspezifischer Chemkey:**

1. Drücken Sie den parameterspezifischen Chemkey langsam in einer Bewegung in einen der Slots 1 bis 4.
2. Drücken Sie dann **Hauptmenü > Prüfung**, um die Prüfung zu beginnen.
3. Führen Sie den menügeführten Prozess aus.

- **Systemprüfungs-Chemkey:**

1. Drücken Sie **Hauptmenü > Prüfung**, um die Prüfung zu beginnen.
2. Drücken Sie den Systemprüfungs-Chemkey danach langsam in einer Bewegung in den ersten Slot.
3. Führen Sie den menügeführten Prozess aus.

Kapitel 9 Datenprotokoll

Das Datenprotokoll enthält alle gespeicherten Messungen.

1. Drücken Sie **Hauptmenü > Datenprotokoll**.
2. Wählen Sie eine Option.

Optionen	Beschreibung
Alle Protokolle nach Datum	Zeigt die folgenden Probenmessergebnisse: Den Messfühlernamen, die Messfühlerseriennummer, den Wert, die Einheit, die Temperatur, die Uhrzeit, das Datum, die Anmerkungen, die Anwender-ID, die Standort-ID und die Kalibrierungsdetails. Der letzte Messwert wird auf dem Display angezeigt. Drücken Sie auf den Pfeil nach LINKS, um die vorherigen Messwerte anzusehen.

Optionen	Beschreibung
Aktuelle Kal. auf Messf.	Zeigt die Kalibrierungsdetails für die zuletzt ausgeführte Kalibrierung. Wenn der Messfühler noch nicht vom Benutzer kalibriert wurde, werden die Daten der Werkskalibrierung angezeigt.
Kal.-Verlauf auf Messf.	Zeigt eine Liste der Zeitpunkte an, zu denen der Messfühler kalibriert wurde. Wählen Sie ein Datum und eine Zeit, um eine Zusammenfassung der Kalibrierungsdaten anzuzeigen.
Datenprotokoll löschen	Löscht alle Daten des Messgeräts auf einmal. Die Gerätedaten bleiben dabei erhalten.

9.1 Daten in Excel importieren

⚠ WARNUNG



Stromschlaggefahr. Extern angeschlossene Geräte müssen über eine entsprechende Sicherheitsnormenbeurteilung des jeweiligen Landes verfügen.

Das Messgerät speichert das Datenprotokoll in einem XML-Format. Die Standort-ID, die Reihenfolge, das Datum und die Uhrzeit, die Parameter, die gemessenen Werte, die Einheiten, die Anwender-ID, die Slotnummer, der Chemkey-Chargencode und die Seriennummer des Messgeräts können in einer Excel-Tabelle gespeichert werden.

1. Schalten Sie das Messgerät ein.
2. Verbinden Sie das Messgerät über ein USB-Kabel mit dem Computer. Das Messgerät wird auf dem Computer als Laufwerk „Portierbarer Hoch Parallelanalysator“ angezeigt.
3. Öffnen Sie den Ordner „DataTemplate“ dieses Laufwerks.
4. Öffnen Sie die Datei „LogTemplate.xlsx“.
5. Klicken Sie mit der rechten Maustaste auf die Zelle „A1“, und wählen Sie „XML“ > „Importieren“.
6. Wählen Sie alle Protokolldateien im Ordner „Data“ des Laufwerks „Hoch Portable Parallel Analysis“.
7. Klicken Sie auf **Importieren**.
Das Datenprotokoll wird in der Excel-Tabelle angezeigt.
8. Speichern Sie die Datei ggf. auf dem Computer oder auf einem USB-Speicherstick.
9. Entfernen Sie das Messgerät vorsichtig vom Computer. Klicken Sie auf das Symbol mit dem grünen Pfeil „Hardware sicher entfernen und Medium auswerfen“ in der Taskleiste.
Hinweis: Manche Symbole finden Sie unter „Ausgeblendete Symbole einblenden“ in der Taskleiste.
10. Trennen Sie das USB-Kabel vom Messgerät.

9.2 Anzeigen von Daten in einem Webbrowser

Befolgen Sie die folgenden Anweisungen, um das Datenprotokoll in einem Webbrowser anzuzeigen. Die Standort-ID, die Reihenfolge, das Datum und die Uhrzeit, die Parameter, die gemessenen Werte, die Einheiten, die Anwender-ID, die Slotnummer, der Chemkey-Chargencode und die Seriennummer des Messgeräts werden im gewählten Webbrowser angezeigt.

1. Schalten Sie das Messgerät ein.
2. Verbinden Sie das Messgerät über ein USB-Kabel mit dem Computer. Das Messgerät wird auf dem Computer als Laufwerk „Hoch Portable Parallel Analysis“ angezeigt.
3. Öffnen Sie den Ordner „Data“ dieses Laufwerks.
4. Öffnen Sie eine Datenprotokolldatei.
 - Öffnen Sie die Datei „LogNN.XML“ (NN = Zahl von 0 bis 9) in einem beliebigen Browser.
 - Klicken Sie im Webbrowser auf das Menü **Datei > Öffnen**, und wechseln Sie zum Ordner „Data“.

5. Speichern Sie die Datei ggf. auf dem Computer oder auf einem USB-Speicherstick.
6. Entfernen Sie das Messgerät vorsichtig vom Computer. Klicken Sie auf das Symbol mit dem grünen Pfeil „Hardware sicher entfernen und Medium auswerfen“ in der Taskleiste.
Hinweis: Manche Symbole finden Sie unter „Ausgeblendete Symbole einblenden“ in der Taskleiste.
7. Trennen Sie das USB-Kabel vom Messgerät.

Kapitel 10 Wartung

▲ WARNUNG



Mehrere Gefahren. Nur qualifiziertes Personal sollte die in diesem Kapitel des Dokuments beschriebenen Aufgaben durchführen.

▲ VORSICHT



Gefahr durch Kontakt mit Chemikalien. Halten Sie sich an die Sicherheitsmaßnahmen im Labor, und tragen Sie Schutzkleidung entsprechend den Chemikalien, mit denen Sie arbeiten. Beachten Sie die Sicherheitsprotokolle in den aktuellen Material Sicherheitsdatenblättern (MSDS/SDB).

▲ VORSICHT



Gefahr durch Kontakt mit Chemikalien. Entsorgen Sie Chemikalien und Abfälle gemäß lokalen, regionalen und nationalen Vorschriften.

10.1 Reinigen von Spritzern

▲ VORSICHT



Gefahr durch Kontakt mit Chemikalien. Entsorgen Sie Chemikalien und Abfälle gemäß lokalen, regionalen und nationalen Vorschriften.

1. Befolgen Sie alle örtlichen Sicherheitsprotokolle zur Verschüttungskontrolle
2. Entsorgen Sie die Abfälle gemäß den zutreffenden Vorschriften.

10.2 Reinigung des Geräts

Reinigen Sie das Gerät außen mit einem feuchten Tuch, und wischen Sie das Gerät anschließend nach Bedarf trocken.

10.3 Reinigen und Ersetzen von Teilen

Bei manchen Fehlern und Warnungen müssen die Chemkey-Slots, die optischen Fenster, das Barcode-Fenster und der Probedetektor gereinigt oder die Trays ersetzt werden. Verwenden Sie Isopropylalkohol zum Reinigen der Teile. Verwenden Sie Wasser und ein mildes Reinigungsmittel, um den Lichtschutz zu reinigen. Bewegen Sie das Wattestäbchen nur in eine Richtung. Siehe [Abbildung 10](#) zum Entfernen der Optikabdeckung, des Lichtschutzes und der Trays. Siehe [Abbildung 11](#) und [Abbildung 12](#) für das detaillierte Reinigungsverfahren.

Benötigte Artikel: Wattestäbchen, Isopropylalkohol, Wasser und ein mildes Reinigungsmittel

Abbildung 10 Entfernen und Wiedereinbau von Teilen

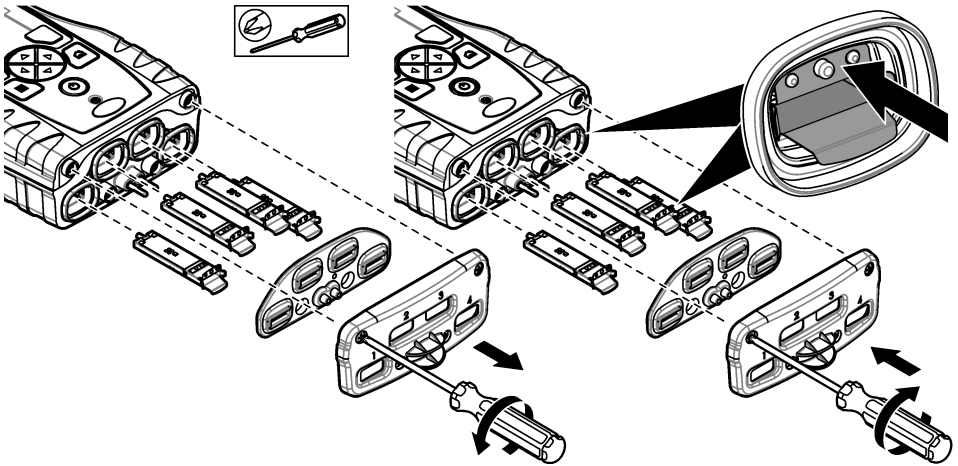
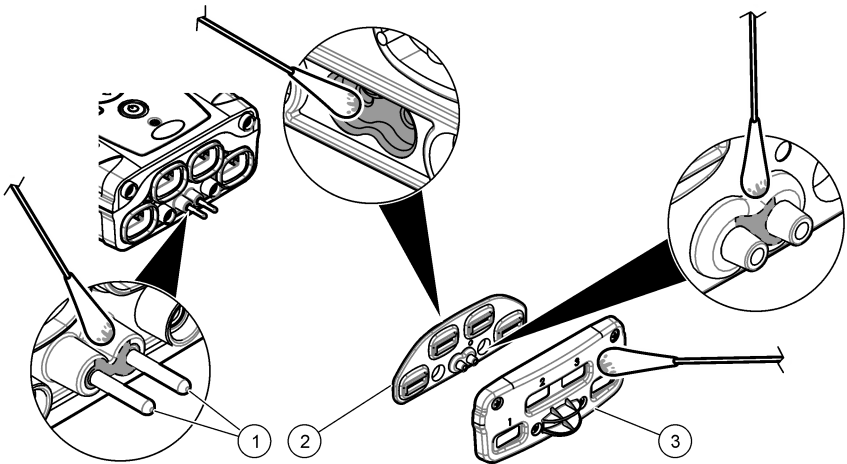
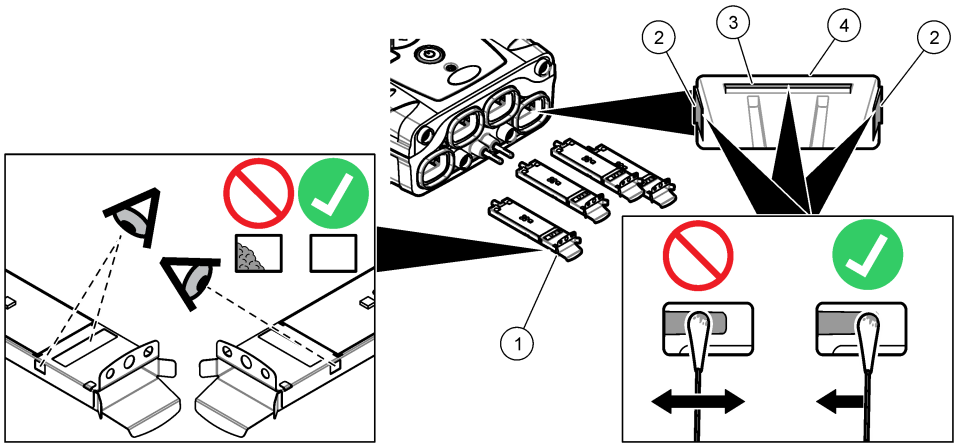


Abbildung 11 Reinigen des Probedetektors, des Lichtschutzes und der Abdeckung



1 Probedetektor	3 Optikabdeckung
2 Lichtschutz	

Abbildung 12 Reinigen der Trays und Chemkey-Slots



1 Tray	3 Barcode-Fenster
2 Optisches Fenster	4 Chemkey-Slot

10.4 Aufladen oder Ersetzen des Akkus

Laden Sie den Akku auf, wenn der Akkustand niedrig ist. Tauschen Sie den Akku aus, wenn er sich zu schnell entlädt. Verwenden Sie ausschließlich den vom Hersteller gelieferten Akku. Siehe [Einsetzen des Akkus](#) auf Seite 27 und [Ersatzteile und Zubehör](#) auf Seite 43.

10.5 Vorbereitung für den Versand

ACHTUNG

Möglicher Geräteschaden. Lassen Sie vor dem Versand das Wasser aus der Einheit ab, um Frostschäden zu vermeiden.

Wenden Sie sich vor dem Versand an den Hersteller für entsprechende Anleitungen an den technischen Kundendienst.

- Reinigen und entseuchen Sie das Gerät vor dem Versand.
- Verschicken Sie das Gerät mit eingesetzter Batterie. Stellen Sie aber sicher, dass die Batterie nicht an den Steckverbinder angeschlossen ist.
- Entfernen Sie vor dem Versand die Messfühler und die Chemkeys.
- Verschicken Sie das Gerät in der Originalverpackung oder in einer anderen sicheren Verpackung.

Kapitel 11 Fehlerbehebung

Fehler/Warnung	Mögliche Ursache	Lösung
Barcode-Lesefehler Chemkey(s) erneut einsetzen	Der Chemkey funktioniert nicht ordnungsgemäß. Der Chemkey ist nicht ordnungsgemäß installiert.	<ul style="list-style-type: none"> • Setzen Sie den Chemkey erneut in den Slot ein. • Verwenden Sie einen neuen Chemkey. • Reinigen Sie das Barcode-Fenster. Siehe Abbildung 12 auf Seite 40. • Wenn das Problem nicht behoben werden konnte, wenden Sie sich an den technischen Kundenservice.
Probenaspirationsfehler.	Der Chemkey funktioniert nicht ordnungsgemäß. Der Chemkey ist nicht vollständig im Slot eingesetzt.	Verwenden Sie einen neuen Chemkey, und setzen Sie ihn ganz in den Slot ein. Wenn das Problem nicht behoben werden konnte, wenden Sie sich an den technischen Kundenservice.
Chemkey undicht. Anderen verwenden		
Chemkey abgelaufen.		
Messfehler (1-4)		
Parameter wird nicht unterstützt	Der Parameter steht in der installierten Gerätesoftware nicht zur Verfügung.	Aktualisieren Sie die Gerätesoftware. Suchen Sie auf www.hach.com nach „SL1000“. Gehen Sie zu Downloads > Software/Firmware und folgen Sie den Anweisungen auf der Website.
CK gebraucht - Ersetzen	Der Chemkey wurde bereits verwendet, oder es befindet sich Wasser im Slot.	Verwenden Sie einen neuen Chemkey. Wenn das Problem nicht behoben werden konnte, trocknen Sie den Slot und das Gerät aus, und versuchen Sie es erneut. Wenn das Problem nicht behoben werden konnte, wenden Sie sich an den technischen Kundenservice.
Tray undicht. Tray ersetzen.	Beim Messtray ist ein Fehler aufgetreten.	Tray ersetzen. Siehe Abbildung 10 auf Seite 39. Wenn das Problem nicht behoben werden konnte, wenden Sie sich an den technischen Kundenservice.
Erhitzerfehler Tray ersetzen	Das Tray funktioniert nicht ordnungsgemäß.	
Aus der Probe entfernen.	Das Messgerät wurde in die Probe eingesetzt, bevor es betriebsbereit war.	Warten Sie, bis das Messgerät betriebsbereit ist, und setzen Sie es dann in die Probe ein.
Probe zu früh entnommen		Setzen Sie einen anderen Chemkey in den Slot ein. Warten Sie, bis das Messgerät betriebsbereit ist, und setzen Sie es dann in die Probe ein.
Zu lange in Probe	Die Chemkeys wurden zu lange in der Probe gelassen. Ein Messfehler ist aufgetreten.	Entfernen Sie die Chemkeys sofort, wenn Sie dazu aufgefordert werden.
	Wenn diese Warnung angezeigt wird, wenn sich das Messgerät nicht in der Probe befindet, ist der Pin-Bereich des Probendetektors schmutzig.	Reinigen Sie den Pin-Bereich des Probendetektors. Siehe Reinigen und Ersetzen von Teilen auf Seite 38. Wenn das Problem nicht behoben werden konnte, wenden Sie sich an den technischen Kundenservice.
Oberhalb des Bereichs	Die Konzentration liegt über der Obergrenze der aktuellen Methode.	Verdünnen Sie die Probe, und führen Sie die Messung erneut aus.
Unterhalb des Bereichs	Die Konzentration liegt unter der Untergrenze der aktuellen Methode.	—

Fehler/Warnung	Mögliche Ursache	Lösung
Tray zu kalt.	Das Messgerät ist möglicherweise zu kalt, um das Tray zu erhitzen, oder der Erhitzer ist nicht betriebsfähig.	Bringen Sie das Messgerät in eine wärmere Umgebungstemperatur, und führen Sie die Messung erneut aus. Tray ersetzen.
Tray zu heiß.	Das Messgerät ist zu heiß, um eine korrekte Messung durchzuführen.	Kühlen Sie das Messgerät, oder nehmen Sie das Messgerät aus der warmen Umgebung.
Zu viel Umgebungslicht. CK in dunklerer Umgebung einsetzen	Das Umgebungslicht ist zu hell, um den Barcode zu lesen.	Bringen Sie das Messgerät in eine dunklere Umgebung, und setzen Sie den Chemkey erneut in den Slot.
Wenig Licht. Chemkey-Slot reinigen.	Der Chemkey funktioniert nicht ordnungsgemäß. Der Chemkey ist nicht ordnungsgemäß installiert.	<ul style="list-style-type: none"> • Setzen Sie den Chemkey mit einer Bewegung in den Slot ein. • Verwenden Sie einen neuen Chemkey. • Reinigen Sie den Chemkey-Slot. Siehe Abbildung 12 auf Seite 40. • Wenn das Problem nicht behoben werden konnte, wenden Sie sich an den technischen Kundenservice.
Gerät benötigt Wartung.	Modulfehler.	Verwenden Sie Module, die ordnungsgemäß funktionieren. Wenden Sie sich zur Reparatur des defekten Moduls an den technischen Kundendienst.
Probe nicht gefunden.	<ul style="list-style-type: none"> • Der Probenbecher ist nicht bis zur Auffülllinie gefüllt. • Die Leitfähigkeit der Probe beträgt weniger als 2 $\mu\text{S}/\text{cm}$. 	<ul style="list-style-type: none"> • Vergewissern Sie sich, dass der Probenbecher bis zur Auffülllinie gefüllt ist. • Vergewissern Sie sich, dass die Leitfähigkeit der Probe über 2 $\mu\text{S}/\text{cm}$ beträgt. • Reinigen Sie den Probedetektor. Siehe Abbildung 11 auf Seite 39. • Wenn das Problem nicht behoben werden konnte, wenden Sie sich an den technischen Kundenservice.

11.1 Durchführen einer Diagnoseprüfung

Im Diagnosemenü werden Informationen über die aktuelle Version des Messgeräts und die Option zur Formatierung der Speicherkarte angezeigt.

1. Drücken Sie **Hauptmenü > Diagnose**.
2. Wählen Sie eine Option.

Optionen	Beschreibung
Speicherplatz	Zeigt den Speicherplatz im Benutzerspeicher und im internen Speicher an.
Konfigurat.-Versionen	Zeigt die Konfigurationsversionen der Messgeräteeinstellungen an.
Methodenversionen	Zeigt die Methodenversionen des Messgeräts an.
Speicher formatieren	Löscht alle Messgerätedaten. Hinweis: Alle Messgerätedaten (z. B. Messgerätekonfiguration, Standort-IDs, Anwender-IDs, Routen, Anmerkungen, Vorlagen usw.) werden gelöscht, wenn Speicher formatieren ausgeführt wird.

Kapitel 12 Ersatzteile und Zubehör

⚠ WARNUNG



Verletzungsgefahr. Die Verwendung nicht zugelassener Teile kann zur Verletzung von Personen, zu Schäden am Messgerät oder zu Fehlfunktionen der Ausrüstung führen. Die Ersatzteile in diesem Abschnitt sind vom Hersteller zugelassen.

Hinweis: Produkt- und Artikelnummern können für einige Verkaufsgebiete abweichen. Wenden Sie sich an die zuständige Vertriebsgesellschaft oder an die auf der Webseite des Unternehmens aufgeführten Kontaktinformationen.

Weitere Informationen finden Sie unter Ersatzteile und Zubehör in der erweiterten Version des Handbuchs.

Sommario

- | | | | |
|---|--|----|---|
| 1 | Manuale dell'utente online a pagina 44 | 8 | Calibrazione a pagina 56 |
| 2 | Specifiche tecniche a pagina 44 | 9 | Registro dati a pagina 57 |
| 3 | Informazioni generali a pagina 45 | 10 | Manutenzione a pagina 59 |
| 4 | Installazione a pagina 47 | 11 | Individuazione ed eliminazione dei guasti a pagina 62 |
| 5 | Interfaccia utente e navigazione a pagina 49 | 12 | Parti di ricambio e accessori a pagina 64 |
| 6 | Avviamento a pagina 51 | | |
| 7 | Funzionamento standard a pagina 52 | | |

Sezione 1 Manuale dell'utente online

Il presente Manuale di base per l'utente contiene meno informazioni rispetto al Manuale dell'utente, disponibile sul sito Web del produttore.

Sezione 2 Specifiche tecniche

Le specifiche tecniche sono soggette a modifica senza preavviso.

Dato tecnico	Dettagli
Dimensioni (L x P x A)	13,08 x 5,89 x 25,83 cm (5,15 x 2,32 x 10,17")
Classe involucro	IP64 con tappi installati per le porte per connettori sonda o con le sonde collegate allo strumento
Peso	1.2 kg (2.7 libbre)
Requisiti di alimentazione (interna)	Batteria ricaricabile agli ioni di litio, 7.4V, 5.0Ah (5000mAh)
Requisiti di alimentazione (esterna)	100V–240 VCA, ingresso 50/60Hz, uscita 12V a 3A
Temperatura operativa (scarico)	Da 5 a 50 °C (da 41 a 122 F), massimo 85% di umidità relativa (senza condensa)
Temperatura di caricamento	Da 5 a 45 °C (da 41 a 113 F), massimo 85% di umidità relativa (senza condensa)
Temperatura di stoccaggio	Da -20 a 60 °C (da -4 a 140 F), massimo 85% di umidità relativa (senza condensa)
Interfaccia	Porta mini USB
Connettore di ingresso a 5 pin	Due connettori M12 per le sonde IntelliCal
Collegamento all'alimentatore esterno	Jack da 2,5 mm
Slot Chemkey	4
Memoria dati	1000 valori misurati (Risultato, Data, Ora, ID sito, ID utente)
Memorizzazione dati	Automatico in modalità di misurazione Premi per leggere. Manuale in modalità di misura Continua
Correzione della temperatura (per sonde IntelliCal™)	Disattivata, automatica e manuale (dipendente dai parametri)
Blocco schermata di misurazione (per sonde IntelliCal™)	Modalità di misurazione Premi per leggere e Continua
Classe di protezione	III
Certificazioni	CE, UKCA, FCC, ISED, RCM, KC
Garanzia	1 anno

Sezione 3 Informazioni generali

In nessun caso il produttore sarà responsabile per danni derivanti da un uso improprio del prodotto o dalla mancata osservanza delle istruzioni contenute nel manuale. Il produttore si riserva il diritto di apportare eventuali modifiche al presente manuale e ai prodotti ivi descritti in qualsiasi momento senza alcuna notifica o obbligo preventivi. Le edizioni riviste sono presenti nel sito Web del produttore.

3.1 Informazioni sulla sicurezza

Il produttore non sarà da ritenersi responsabile in caso di danni causati dall'applicazione errata o dall'uso errato di questo prodotto inclusi, a puro titolo esemplificativo e non limitativo, i danni diretti, incidentali e consequenziali; inoltre declina qualsiasi responsabilità per tali danni entro i limiti previsti dalle leggi vigenti. La responsabilità relativa all'identificazione dei rischi critici dell'applicazione e all'installazione di meccanismi appropriati per proteggere le attività in caso di eventuale malfunzionamento dell'apparecchiatura compete unicamente all'utilizzatore.

Prima di disimballare, installare o utilizzare l'apparecchio, si prega di leggere l'intero manuale. Si raccomanda di leggere con attenzione e rispettare le istruzioni riguardanti note di pericolosità. La non osservanza di tali indicazioni potrebbe comportare lesioni gravi all'operatore o danni all'apparecchio.



Assicurarsi che i dispositivi di sicurezza insiti nell'apparecchio siano efficaci all'atto della messa in servizio e durante l'utilizzo dello stesso. Non utilizzare o installare questa apparecchiatura in modo diverso da quanto specificato nel presente manuale.

3.1.1 Indicazioni e significato dei segnali di pericolo

▲ PERICOLO
Indica una situazione di pericolo potenziale o imminente che, se non evitata, causa lesioni gravi anche mortali.
▲ AVVERTENZA
Indica una situazione di pericolo potenziale o imminente che, se non evitata, potrebbe comportare lesioni gravi, anche mortali.
▲ ATTENZIONE
Indica una situazione di pericolo potenziale che potrebbe comportare lesioni lievi o moderate.
AVVISO
Indica una situazione che, se non evitata, può danneggiare lo strumento. Informazioni che richiedono particolare attenzione da parte dell'utente.

3.1.2 Etichette precauzionali

Leggere sempre tutte le indicazioni e le targhette di segnalazione applicate all'apparecchio. La mancata osservanza delle stesse può causare lesioni personali o danni allo strumento. Un simbolo sullo strumento è indicato nel manuale unitamente a una frase di avvertenza.

	Tale simbolo, se apposto sullo strumento, fa riferimento al manuale delle istruzioni per il funzionamento e/o informazioni sulla sicurezza.
	Le apparecchiature elettriche contrassegnate con questo simbolo non possono essere smaltite attraverso sistemi domestici o pubblici europei. Restituire le vecchie apparecchiature al produttore il quale si occuperà gratuitamente del loro smaltimento.

3.1.3 Certificazione

Avvertenza di notifica EN 55011/CISPR 11

Questo è un prodotto di Classe A. In un ambiente domestico questo prodotto può causare interferenze radio per cui l'utente è tenuto a adottare adeguate misure preventive.

Normativa canadese sulle apparecchiature che causano interferenze radio ICES-003, Classe A:

Le registrazioni dei test di supporto sono disponibili presso il produttore.

Questo apparecchio digitale di Classe A soddisfa tutti i requisiti di cui agli Ordinamenti canadesi sulle apparecchiature causanti interferenze.

FCC Parte 15, Limiti Classe "A"

Le registrazioni dei test di supporto sono disponibili presso il produttore. Il presente dispositivo è conforme alla Parte 15 della normativa FCC. Il funzionamento è subordinato alle seguenti condizioni:

1. L'apparecchio potrebbe non causare interferenze dannose.
2. L'apparecchio deve tollerare tutte le interferenze subite, comprese quelle causate da funzionamenti inopportuni.

Modifiche o cambiamenti eseguiti sull'unità senza previa approvazione da parte dell'ente responsabile della conformità potrebbero annullare il diritto di utilizzare l'apparecchio. Questo apparecchio è stato testato ed è conforme con i limiti per un dispositivo digitale di Classe A, secondo la Parte 15 delle normative FCC. Questi limiti garantiscono un'adeguata protezione contro qualsiasi interferenza che potrebbe derivare dall'utilizzo dell'apparecchio in ambiente commerciale.

L'apparecchiatura produce, utilizza e può irradiare energia a radiofrequenza e, se non installata e utilizzata in accordo a quanto riportato nel manuale delle istruzioni, potrebbe causare interferenze nocive per le radiocomunicazioni. L'utilizzo di questa apparecchiatura in una zona residenziale può provocare interferenze dannose; in tal caso, l'utente dovrà eliminare l'interferenza a proprie spese. Per ridurre i problemi di interferenza, è possibile utilizzare le seguenti tecniche:

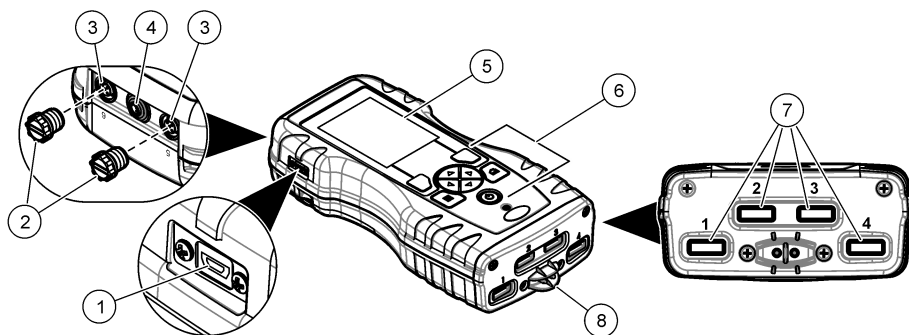
1. Scollegare l'apparecchio dalla sua fonte di potenza per verificare che sia la fonte dell'interferenza o meno.
2. Se l'apparecchio è collegato alla stessa uscita del dispositivo in cui si verifica l'interferenza, collegare l'apparecchio ad un'uscita differente.
3. Spostare l'apparecchio lontano dal dispositivo che riceve l'interferenza.
4. Posizionare nuovamente l'antenna di ricezione dell'apparecchio che riceve le interferenze.
5. Provare una combinazione dei suggerimenti sopra riportati.

3.2 Panoramica del prodotto

L'analizzatore parallelo portatile SL1000 misura un massimo di sei parametri contemporaneamente in applicazioni associate ad acqua potabile e ad acqua pulita. Il misuratore utilizza Chemkey® e sonde IntelliCAL™ digitali per misurare differenti parametri in acqua. Il misuratore identifica automaticamente il tipo di Chemkey installata o il tipo di sonda collegata al misuratore.

Per le misurazioni, il misuratore può utilizzare fino a un massimo di quattro Chemkey e di due sonde. Fare riferimento alla [Figura 1](#).

Figura 1 Panoramica del prodotto



1 Porta mini USB	5 Display
2 Tappi delle porte per connettori sonda	6 Tastiera
3 Porte di connessione per sonda	7 Slot Chemkey
4 Porta di accesso alimentazione	8 Rilevatore di campione

3.3 Componenti del prodotto

Accertarsi che tutte le parti oggetto della fornitura siano state ricevute. Fare riferimento alla documentazione fornita. In caso di componenti mancanti o danneggiati, contattare immediatamente il produttore o il rappresentante commerciale.

Sezione 4 Installazione

⚠ AVVERTENZA



Pericoli multipli. Gli interventi descritti in questa sezione del documento devono essere eseguiti solo da personale qualificato.

4.1 INFORMAZIONI di SICUREZZA per le batterie al litio

⚠ AVVERTENZA



Pericolo di esplosione e di incendio. Se utilizzate in modo non appropriato le batterie al litio possono surriscaldarsi, esplodere o prendere fuoco e causare gravi lesioni.

- Non utilizzare la batteria in caso di danni visibili.
- Non utilizzare la batteria se ha subito forti urti o in caso di vibrazioni.
- Non esporre la batteria al fuoco.
- Mantenere la batteria a temperature inferiori a 60 °C (140 °F).
- Tenere la batteria asciutta e lontana dall'acqua.
- Evitare il contatto tra i terminali positivo e negativo.
- Non consentire al personale non autorizzato di toccare la batteria.
- Smaltire la batteria conformemente alle normative locali, regionali e nazionali.

- Non utilizzare o conservare lo strumento alla luce diretta del sole, vicino a una fonte di calore o in ambienti ad alta temperatura come ad esempio un veicolo chiuso ed esposto alla luce diretta del sole.

4.2 Installazione della batteria

▲ AVVERTENZA



Pericolo di esplosione e di incendio. Questa apparecchiatura contiene una batteria al litio ad alta potenza che potrebbe surriscaldarsi e causare incendi o esplosioni anche se non completamente carica. Per mantenere la sicurezza fornita dall'alloggiamento, i coperchi dell'alloggiamento dello strumento devono essere installati e fissati con la bulloneria in dotazione.

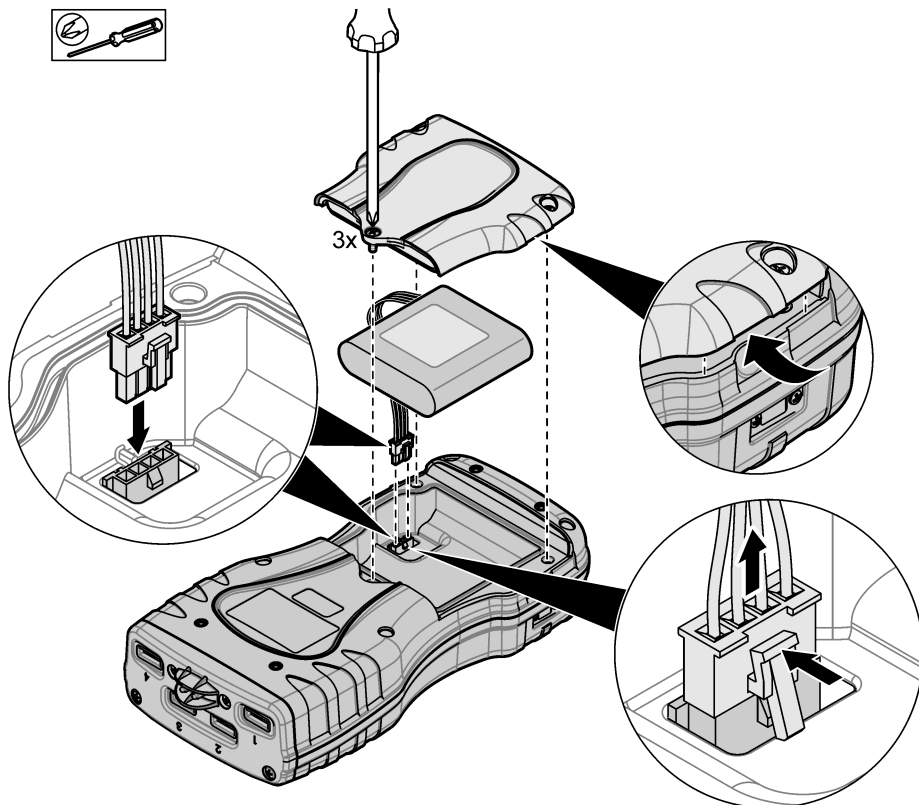
▲ AVVERTENZA



Rischio di incendio ed esplosione. È vietato utilizzare batterie non originali. Utilizzare solo batterie fornite dal produttore dello strumento.

Utilizzare esclusivamente la batteria ricaricabile agli ioni di litio fornita dal produttore. Fare riferimento a [Figura 2](#) per installare o rimuovere la batteria.

Figura 2 Installazione e rimozione della batteria



4.3 Ricarica della batteria

▲ AVVERTENZA



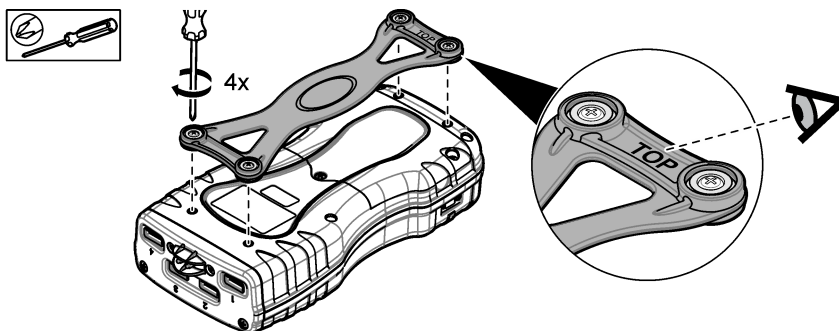
Pericolo di incendio. Utilizzare esclusivamente l'alimentatore esterno specificato per questo strumento.

1. Collegare l'alimentatore esterno a una presa di alimentazione di rete CA.
2. Collegare l'alimentatore esterno alla porta di alimentazione sul misuratore. Fare riferimento alla [Panoramica del prodotto](#) a pagina 46.
 - Lo strumento può essere attivato mentre la batteria è in carica.
 - La sostituzione dell'alimentatore esterno non è consentita. Utilizzare solo l'alimentatore esterno specificato nella lista dei ricambi e accessori per lo strumento. Fare riferimento alla [Parti di ricambio e accessori](#) a pagina 64.
 - Non caricare la batteria per oltre 24 ore.

4.4 Montaggio di un cordoncino

Montare il cordoncino per fissare saldamente il misuratore. Fare riferimento a [Figura 3](#).

Figura 3 Montaggio del cordoncino

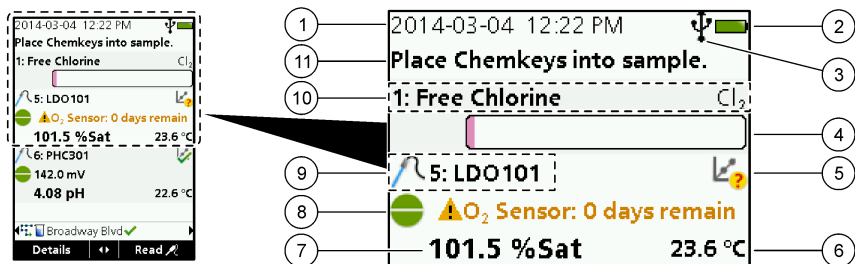


Sezione 5 Interfaccia utente e navigazione

5.1 Descrizione del display

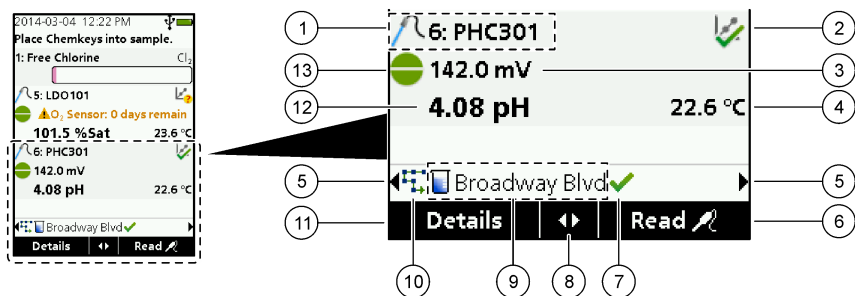
Fare riferimento alla [Figura 4](#) e alla [Figura 5](#) per la descrizione della schermata di misurazione.

Figura 4 Schermata di misurazione (parte superiore)



1 Data e ora	7 Valore misurazione primaria (parametro selezionato da utente)
2 Stato batteria	8 Icona di stabilità con icona e messaggio di avvertenza
3 Icona di connessione attiva USB (porta COM) quando è selezionata la classe di comunicazione	9 Icona sonda, numero porta, nome parametro o sonda
4 Barra di avanzamento (misurazione non completata)	10 Numero slot, nome parametro o simbolo chimico
5 Icona di stato calibrazione (calibrazione non corretta)	11 Messaggi importanti per dispositivi (seguiti da errore e da messaggio di avvertenza)
6 Misurazione secondaria (parametro selezionato da utente)	

Figura 5 Schermata di misurazione (parte inferiore)

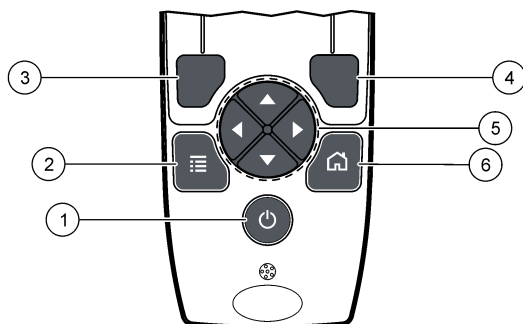


1 Icona sonda, numero porta, nome parametro o sonda	8 Tasti freccia attivi
2 Icona di stato calibrazione (calibrazione corretta)	9 Icona ID sito e nome sito
3 Valore misurazione secondaria (parametro selezionato da utente)	10 Icona percorsi (visualizzata quando vengono attivati i percorsi)
4 Valore misurazione terziaria (parametro selezionato da utente)	11 Opzioni (contestuali: Dettagli, Esci, Annulla, Seleziona, Deseleziona)
5 Freccie a destra e a sinistra per selezionare l'ID sito applicabile	12 Valore misurazione primaria (selezionato da utente)
6 Opzioni (contestuali: Leggi, Seleziona, OK, Elimina)	13 Icona di stabilità
7 Segno di spunta: misurazione completata sul sito	

5.2 Descrizione della tastiera

Fare riferimento alla [Figura 6](#) per la descrizione della tastiera e le informazioni sulla navigazione.

Figura 6 Descrizione della tastiera



1 Tasto di accensione	4 Tasto di selezione DESTRO (contestuale): per leggere campioni, eliminare, selezionare o confermare opzioni, aprire sottomenu
2 Tasto MENU PRINCIPALE: per selezionare la verifica, la calibrazione, i percorsi, le impostazioni, il registro dati, le informazioni, la diagnostica, l'ID operatore e l'ID sito	5 Tasti di navigazione SU, GIÙ, DESTRA, SINISTRA ¹ : per scorrere i menu e immettere numeri e lettere.
3 Tasto di selezione SINISTRO (contestuale): per visualizzare dettagli, selezionare/deselezionare, annullare o chiudere la schermata del menu corrente per tornare alla precedente	6 PAGINA INIZIALE: per andare alla schermata di misurazione principale.

Sezione 6 Avviamento

6.1 Accensione

Premere il tasto di **ACCENSIONE** per accendere o spegnere il misuratore. Se il misuratore non si accende, assicurarsi che la batteria sia installata correttamente.

6.2 Modifica della lingua

Selezionare la lingua del display quando il misuratore viene attivato per la prima volta. Modificare la lingua dal menu **Impostazioni**.

1. Premere **Impostazioni>Lingua**.
2. Selezionare la lingua applicabile.

6.3 Modifica di data e ora

Per impostare la data/ora e il formato sono disponibili due opzioni:

- Impostare la data e l'ora quando il misuratore viene attivato per la prima volta.
- Impostare la data e l'ora dal menu Data e ora.

1. Selezionare **Impostazioni>Misuratore>Data e ora**.
2. Utilizzare i tasti freccia per selezionare il formato della data e dell'ora, quindi immettere le informazioni della data e dell'ora correnti.
La data e l'ora correnti vengono visualizzate sul display e sui dati di misurazione registrati.

¹ SU, GIÙ: per scorrere le misurazioni, se più di quattro, DESTRA, SINISTRA: per scorrere ID operatore e campione.

Sezione 7 Funzionamento standard

7.1 Utilizzo di un ID operatore

La tag ID operatore associa le misurazioni ad un singolo operatore. Tutti i dati memorizzati includeranno l'ID operatore.

Per gestire facilmente gli ID operatore, utilizzare l'applicazione Web "tool.htm". Per ulteriori informazioni, fare riferimento al sito Web del produttore.

1. Premere **Menu principale>ID operatore**.
2. Selezionare un'opzione.

Opzione	Descrizione
Modalità	Per impostare la funzione ID operatore su Attivata o Disattivata (predefinito).
Selezione	Per selezionare un ID da un elenco. L'ID corrente verrà associato ai dati campione fino a quando verrà selezionato un ID diverso. Utilizzare le frecce SU e GIÙ per selezionare un ID operatore dalla schermata della pagina iniziale. È possibile selezionare un ID operatore sulla schermata di misurazione prima di introdurre una Chemkey nello slot o di collegare una sonda.
Crea	Per specificare il nome per il nuovo ID operatore.
Elimina	Per cancellare un ID operatore esistente.

7.2 Utilizzo di un ID sito

Selezionare la tag dell'ID sito per associare le misurazioni a un particolare campione o a una posizione. Se assegnati, i dati memorizzati includeranno questo ID.

Per gestire facilmente gli ID sito, utilizzare l'applicazione Web "tool.htm". Per ulteriori informazioni, fare riferimento al sito Web del produttore.

1. Premere **Menu principale>ID sito**.
2. Selezionare un'opzione.

Opzione	Descrizione
Modalità	Per impostare la funzione ID sito su Manuale, Auto, Disattivata o Percorsi. Manuale —Per selezionare un ID sito manualmente. Auto —I campioni vengono numerati in sequenza per ciascuna misurazione finché non è selezionato un ID differente. Disattivata —La funzione ID sito è impostata su Disattivata (predefinito). Percorsi —Fornisce un sottogruppo ordinato dell'elenco completo di ID sito.
Selezione	Consente di selezionare un ID da un elenco. L'ID corrente verrà associato ai dati campione finché non è selezionato un ID diverso. Impostare ID sito>Mostra su Sì. Utilizzare la freccia a DESTRA o a SINISTRA per selezionare l'ID sito corrente sulla schermata di misurazione. Assicurarsi che ID sito>Mostra sia impostato su Sì e che almeno una Chemkey sia inserita nello slot o che almeno una sonda sia collegata.
Crea	Per aggiungere un nuovo ID sito.
Elimina	Per cancellare gli ID sito esistenti. <i>Nota: assicurarsi di selezionare la modalità Manuale per eliminare un ID sito.</i>
Mostra	Per visualizzare l'ID sito sulla schermata di misurazione. Attivare o disattivare questa opzione.
Percorsi	Per visualizzare un elenco ordinato di ID sito. Se si seleziona un percorso, gli ID sito vengono visualizzati automaticamente sulla schermata di misurazione e registrati. Premere la freccia DESTRA per selezionare la posizione successiva. Utilizzare l'applicazione Web "tool.htm" per impostare i percorsi. Per ulteriori informazioni, fare riferimento al sito Web del produttore.
Note	Per registrare informazioni speciali e aggiungerle a un registro eventi.

7.3 Completamento delle misurazioni Chemkey

AVVISO

Non avviare una nuova misurazione Chemkey senza prima aver completato le altre. Collocare il misuratore nel campione solo una volta per una misurazione Chemkey.

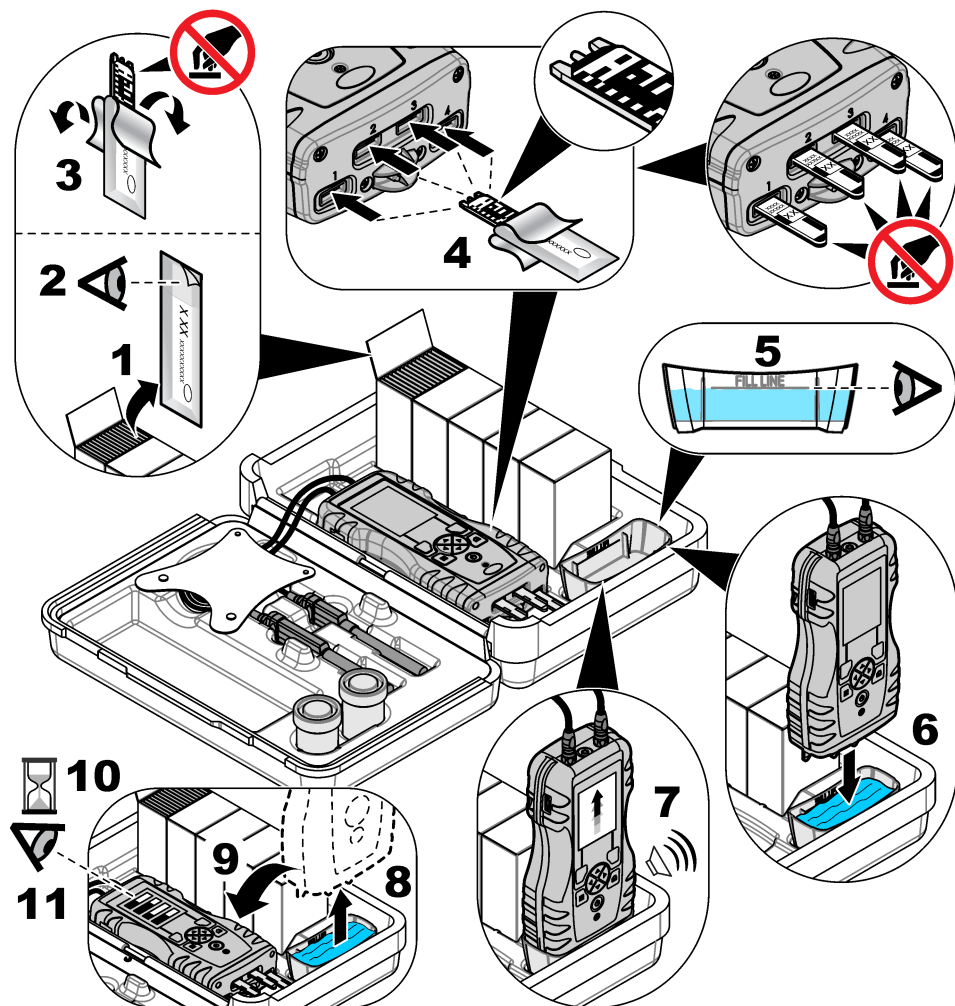
Per completare una misurazione con Chemkey, attenersi alla procedura seguente. Fare riferimento alla [Figura 7](#). Le misurazioni multisonda possono essere completate contemporaneamente. Fare riferimento alla [Completamento delle misurazioni con sonda](#) a pagina 55.

1. Attivare il misuratore.
2. Se è necessaria la totale rintracciabilità, inserire un ID sito e un ID operatore prima di eseguire la misurazione. Fare riferimento a [Utilizzo di un ID operatore](#) a pagina 52 e a [Utilizzo di un ID sito](#) a pagina 52.
3. Introdurre a fondo le Chemkey applicabili negli slot da 1 a 4 con un unico movimento. Assicurarsi di utilizzare sempre una nuova Chemkey per ciascuna misurazione. È importante introdurre a fondo la Chemkey nello slot.
Quando una Chemkey si trova in uno slot, non spollarla né toccarla.²
4. Sciacquare la coppetta per campioni con il campione.
5. Riempire la coppetta per campioni del misuratore fino alla linea di riempimento con il campione.
6. Collocare il misuratore nell'apposita coppetta per campioni.
7. Attendere la segnalazione acustica e/o l'animazione per lo smontaggio del misuratore (entro 1 - 2 secondi), quindi rimuovere immediatamente il misuratore dalla coppetta per campioni. Riporre il misuratore nella custodia e attendere fino al completamento della misurazione. I parametri hanno tempi di reazione differenti. Il display visualizza una barra di avanzamento con il tempo rimasto fino al completamento della misurazione.
8. I valori di misurazione vengono visualizzati sul display.

Nota: se viene visualizzato un errore, premere **Dettagli** per ulteriori informazioni.

² Per ottenere una misurazione dell'ammoniaca libera, sono necessarie sia una Chemkey di monoclorammina che una Chemkey di ammoniaca libera.

Figura 7 Misurazione del campione con Chemkey



7.4 Collegamento di una sonda

AVVISO

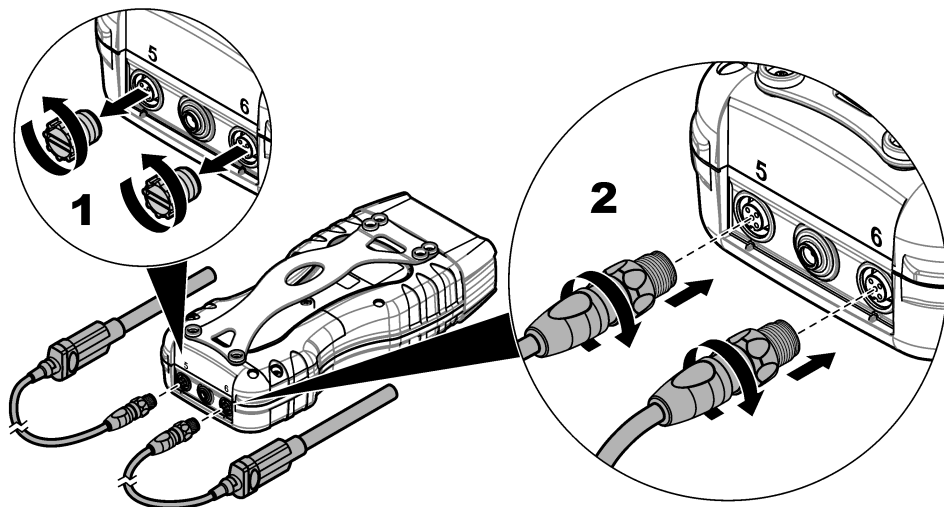
Non gettare i tappi delle porte per connettori sonda. Assicurarsi che i tappi delle porte per connettori sonda siano installati quando non è collegata alcuna sonda.

Assicurarsi che il display visualizzi la data e l'ora correnti, quindi collegare la sonda al misuratore.

Fare riferimento alla [Figura 8](#).

Nota: La data e l'ora di una sonda vengono impostate nel momento in cui la sonda viene collegata per la prima volta allo strumento. La data e l'ora consentono di registrare la cronologia della sonda e l'ora esatta in cui vengono effettuate le misurazioni.

Figura 8 Connessioni sonda

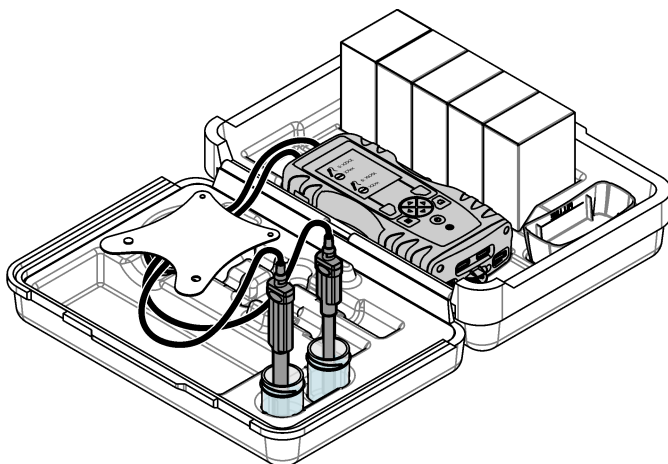


7.5 Completamento delle misurazioni con sonda

Attenersi alla procedura seguente per completare una misurazione con sonde. Fare riferimento alla [Figura 9](#). Le misurazioni Chemkey possono essere completate contemporaneamente. Fare riferimento alla [Completamento delle misurazioni Chemkey](#) a pagina 53.

1. Calibrare le sonde prima di utilizzarle per la prima volta. Fare riferimento alla [Calibrazione della sonda](#) a pagina 56.
Nota: Per una maggiore precisione, calibrare quotidianamente le sonde.
2. Impostare la data e l'ora sul misuratore prima di collegare la sonda. Fare riferimento alla [Modifica di data e ora](#) a pagina 51.
La sonda deve riportare la data e l'ora corrette della durata.
3. Se è necessaria la totale rintracciabilità, inserire un ID sito e un ID operatore prima di eseguire la misurazione. Fare riferimento a [Utilizzo di un ID operatore](#) a pagina 52 e a [Utilizzo di un ID sito](#) a pagina 52.
4. Rimuovere i tappi delle porte per connettori sonda e collegare le sonde. Fare riferimento alla [Figura 8](#) a pagina 55 per collegare una sonda.
Nota: non gettare i tappi delle porte per connettori sonda. Rimontare i tappi delle porte per connettori sonda quando non è collegata alcuna sonda.
5. Sciacquare i matracci per campioni con il campione.
6. Riempire il matraccio per campioni con il campione, in modo da immergere completamente il sensore.
7. Collocare le sonde negli appositi matracci per campioni, quindi premere **Leggi** se la modalità di misurazione è impostata su **Premi per leggere**. Per maggiori informazioni, fare riferimento alla documentazione sulla sonda.
8. I valori di misurazione vengono visualizzati sul display.

Figura 9 Misurazione del campione




Sezione 8 Calibrazione

⚠ ATTENZIONE



Pericolo di esposizione ad agenti chimici. Rispettare le procedure di sicurezza del laboratorio e indossare tutte le apparecchiature protettive appropriate per le sostanze chimiche utilizzate. Fare riferimento alle attuali schede di sicurezza (MSDS/SDS) per i protocolli di sicurezza.

8.1 Calibrazione della sonda

Ogni sonda utilizza un diverso tipo di soluzione di calibrazione. Accertarsi di calibrare le sonde abbastanza frequentemente da mantenere il massimo livello di accuratezza. Il misuratore visualizza lo stato di calibrazione. Se la calibrazione non è corretta, viene visualizzata un'apposita icona con punto interrogativo  finché la sonda non viene calibrata correttamente. Quando la calibrazione è corretta, l'icona risulta contrassegnata da un segno di spunta verde. Per istruzioni dettagliate, consultare i documenti allegati a ciascuna sonda. Per ulteriori informazioni, fare riferimento al sito Web del produttore.

1. Collegare una sonda.
2. Premere **Menu principale>Calibrazione** per avviare la calibrazione.
3. Se le sonde collegate allo strumento sono più di una, selezionare quella applicabile.
Nota: se è collegata solo una sonda, questo passaggio non viene visualizzato.
4. Completare le istruzioni visualizzate sul display per calibrare la sonda.
Nota: Per una sonda ISE, premere la freccia DESTRA per passare al successivo standard di calibrazione, secondo necessità. Misurare gli standard dalla concentrazione bassa a quella alta.
5. Se necessario, eseguire una verifica. Fare riferimento alla [Verifica della sonda](#) a pagina 57.

8.2 Calibrazione di fabbrica

Il produttore consiglia di eseguire periodicamente una calibrazione di fabbrica completa per assicurarsi che il sistema funzioni adeguatamente. Si prega di contattare il centro di assistenza Hach a voi più vicino.

8.3 Calibrazione del misuratore per un parametro specifico della Chemkey

Ciascuna Chemkey utilizza differenti impostazioni di calibrazione. Per ulteriori informazioni, fare riferimento al sito Web del produttore.

1. Introdurre lentamente le Chemkey applicabili negli slot da 1 a 4 con un unico movimento.
2. Premere **Menu principale>Calibrazione** per avviare la calibrazione.
3. Selezionare la Chemkey applicabile.
4. Immettere il valore standard di correzione applicabile.
5. Completare le istruzioni visualizzate sul display per calibrare la Chemkey.
6. Se necessario, eseguire una verifica. Fare riferimento alla [Verifica Chemkey](#) a pagina 57.

8.4 Verifica della sonda

1. Premere **Menu principale>Verifica** per avviare una verifica.
2. Selezionare il dispositivo applicabile.
3. Completare le istruzioni visualizzate sul display per eseguire la verifica.

*Nota: Per modificare lo standard utilizzato per la verifica, premere **Menu principale>Impostazioni>Sonda>[Select Probe (Seleziona sonda)]>Opzioni di verifica>Standard**.*

8.5 Verifica Chemkey

Sono disponibili due opzioni per completare una verifica Chemkey. Per la verifica, utilizzare una Chemkey specifica di un parametro o una Chemkey per la verifica di sistema. Fare riferimento alla [Parti di ricambio e accessori](#) a pagina 64.

• Chemkey specifica di un parametro:

1. Introdurre lentamente la Chemkey specifica di un parametro negli slot da 1 a 4 con un unico movimento.
2. Quindi, premere **Menu principale>Verifica** per avviare la verifica.
3. Completare il processo guidato da menu.

• Chemkey per la verifica di sistema:

1. Premere **Menu principale>Verifica** per avviare la verifica.
2. Quindi, introdurre lentamente la Chemkey per la verifica di sistema nel primo slot con un unico movimento.
3. Completare il processo guidato da menu.

Sezione 9 Registro dati

Il registro dati mostra tutte le misurazioni salvate.

1. Premere **Menu principale>Registro dati**.
2. Selezionare un'opzione.

Opzione	Descrizione
Tutte registrazioni per data	Visualizza i risultati di misurazione del campione: il nome della sonda, il numero di serie della sonda, il valore, l'unità, la temperatura, l'ora, la data, le note, l'ID operatore, l'ID sito e i dettagli della calibrazione. L'ultima misurazione viene visualizzata sul display. Utilizzare la freccia a SINISTRA per guardare le precedenti misurazioni.
Cal. corrente su sonda	Mostra i dettagli della calibrazione più recente. Se la sonda non è stata calibrata dall'utente, vengono mostrati i dati di calibrazione in fabbrica.

Opzione	Descrizione
Cronologia cal. su sonda	Mostra l'elenco delle date in cui la sonda è stata calibrata. Selezionare una data e un'ora per visualizzare un riepilogo dei dati di calibrazione.
Elimina registro dati	Cancella immediatamente tutti i dati del misuratore. I dati del dispositivo vengono conservati.

9.1 Importazione dei dati in Excel

⚠ AVVERTENZA



Pericolo di folgorazione. Gli apparecchi con collegamento esterno devono essere sottoposti a valutazione in base alle norme di sicurezza locali.

Il misuratore memorizza il registro dati in formato XML. L'ID sito, la sequenza, la data e l'ora, il parametro, il valore misurato, le unità, l'ID operatore, il numero di slot, il numero del lotto Chemkey e il numero di serie del misuratore possono essere memorizzati in un foglio di lavoro Excel.

1. Attivare il misuratore.
2. Collegare il misuratore con il cavo USB al computer. Il misuratore visualizza "Hach Portable Parallel Analysis" come unità sul computer.
3. Aprire la cartella "Modello dati" dall'unità.
4. Aprire il file "LogTemplate.xltx".
5. Fare clic con il tasto destro del mouse sulla cella "A2" e selezionare XML>Importa.
6. Selezionare tutti i file di registro della cartella "Dati" dall'unità "Hach Portable Parallel Analysis".
7. Fare clic su **Importa**.
Il registro dati viene visualizzato nel foglio di lavoro Excel.
8. Salvare il file nel computer o in un'unità di memoria flash USB, se necessario.
9. Rimuovere in modo sicuro il misuratore dal computer. Fare clic sull'icona con la freccia verde "Rimozione sicura dell'hardware ed espulsione supporti" nella barra delle applicazioni.
Nota: alcune icone vengono visualizzate facendo clic sul pulsante "Mostra icone nascoste" nella barra delle applicazioni.
10. Scollegare il cavo USB dal misuratore.

9.2 Esame dei dati in un browser Web

Per esaminare il registro dati in un browser Web, attenersi alla procedura seguente. L'ID sito, la sequenza, la data e l'ora, il parametro, il valore misurato, le unità, l'ID operatore, il numero di slot, il numero del lotto Chemkey e il numero di serie del misuratore vengono visualizzati nel browser Web selezionato.

1. Attivare il misuratore.
2. Collegare il misuratore con il cavo USB al computer. Il misuratore visualizza "Hach Portable Parallel Analysis" come unità sul computer.
3. Aprire la cartella "Dati" dall'unità.
4. Aprire il file del registro dati.
 - Aprire "LogNN.XML" (NN = cifre da 0 a 9) in qualsiasi browser.
 - Dal browser Web, fare clic sul **menu File>Apri** e andare alla cartella "Dati".
5. Salvare il file nel computer o in un'unità di memoria flash USB, se necessario.
6. Rimuovere in modo sicuro il misuratore dal computer. Fare clic sull'icona con la freccia verde "Rimozione sicura dell'hardware ed espulsione supporti" nella barra delle applicazioni.
Nota: alcune icone vengono visualizzate facendo clic sul pulsante "Mostra icone nascoste" nella barra delle applicazioni.
7. Scollegare il cavo USB dal misuratore.

Sezione 10 Manutenzione

⚠ AVVERTENZA



Pericoli multipli. Gli interventi descritti in questa sezione del documento devono essere eseguiti solo da personale qualificato.

⚠ ATTENZIONE



Pericolo di esposizione ad agenti chimici. Rispettare le procedure di sicurezza del laboratorio e indossare tutte le apparecchiature protettive appropriate per le sostanze chimiche utilizzate. Fare riferimento alle attuali schede di sicurezza (MSDS/SDS) per i protocolli di sicurezza.

⚠ ATTENZIONE



Pericolo di esposizione ad agenti chimici. Smaltire i prodotti chimici e i rifiuti conformemente alle normative locali, regionali e nazionali.

10.1 Pulizia di fuoriuscite

⚠ ATTENZIONE



Pericolo di esposizione ad agenti chimici. Smaltire i prodotti chimici e i rifiuti conformemente alle normative locali, regionali e nazionali.

1. Rispettare tutti i protocolli di sicurezza degli impianti per il controllo delle fuoriuscite.
2. Smaltire i rifiuti secondo le norme vigenti.

10.2 Pulizia dello strumento

Pulire le superfici esterne dello strumento con un panno inumidito con una soluzione contenente sapone delicato; quindi asciugare lo strumento secondo necessità.

10.3 Pulizia o sostituzione delle parti

Per alcuni errori e avvertenze, è necessario pulire gli slot Chemkey, le finestre ottiche, le finestre del codice a barre, il rilevatore di campione o sostituire i vassoi. Utilizzare alcol isopropilico per pulire queste parti. Utilizzare acqua e un detergente delicato per pulire lo schermo antilucente. Assicurarsi di muovere l'applicatore con punta di cotone in una sola direzione. Fare riferimento alla [Figura 10](#) per rimuovere la calotta di accesso delle ottiche, lo schermo antilucente e i vassoi. Fare riferimento alla [Figura 11](#) e alla [Figura 12](#) per la procedura di pulizia dettagliata.

Articoli da radunare: applicatore con punta di cotone, alcol isopropilico, acqua e detergente delicato

Figura 10 Smontaggio e rimontaggio di parti

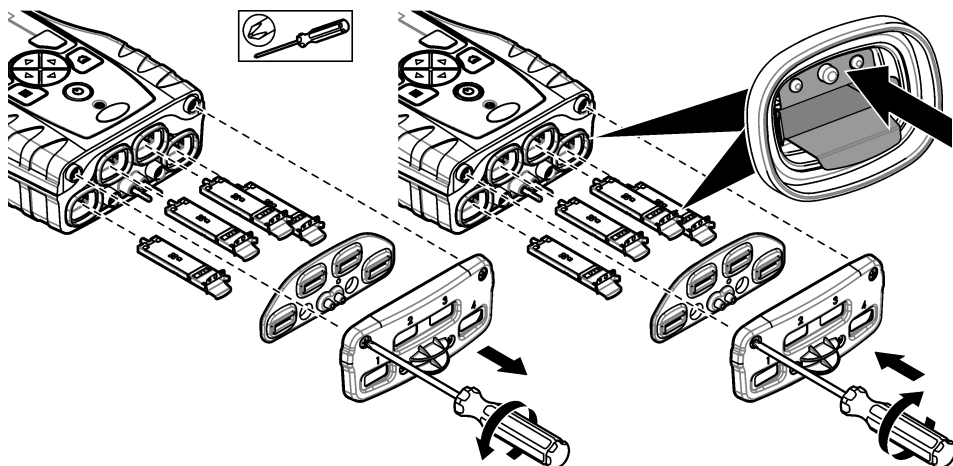
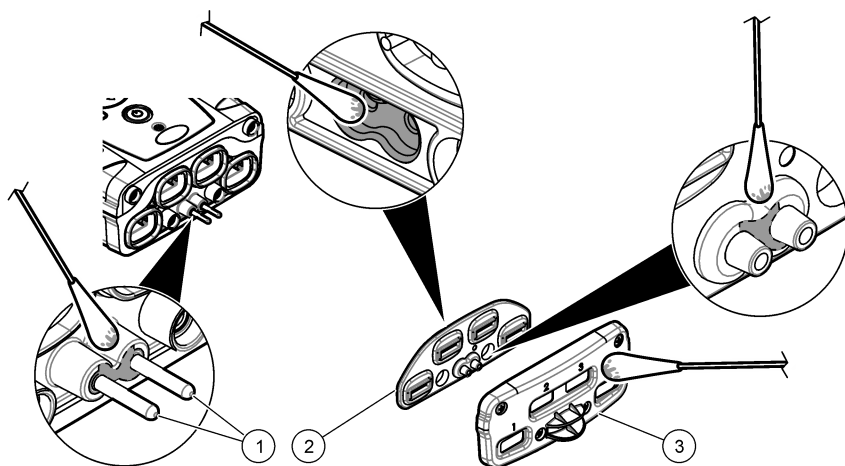


Figura 11 Pulire il rilevatore di campione, lo schermo antiluce e la calotta di accesso

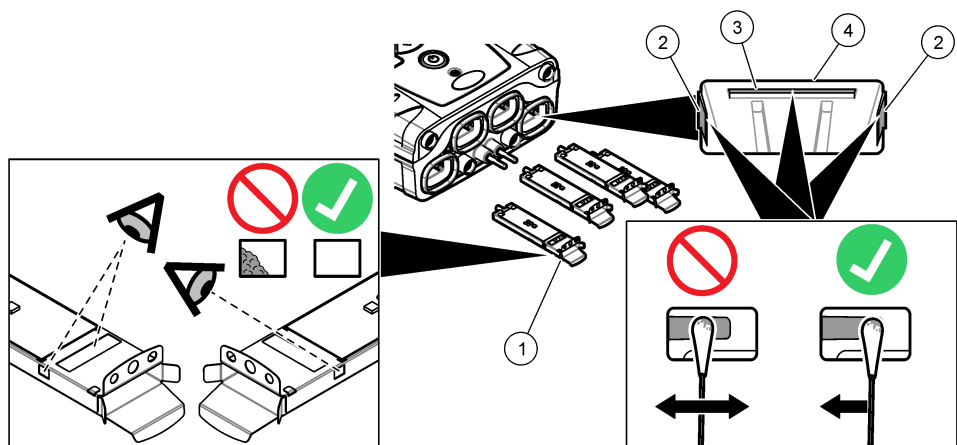


1 Rilevatore di campione

2 Schermo antiluce

3 Calotta di accesso delle ottiche

Figura 12 Pulizia dei vassoi e degli slot Chemkey



1 Vassoio	3 Finestra codice a barre
2 Finestra ottica	4 Slot Chemkey

10.4 Ricarica o sostituzione della batteria.

Caricare la batteria quando il livello di carica è basso. Sostituire la batteria quando si scarica troppo velocemente. Utilizzare solo la batteria specificata, fornita dal produttore. Fare riferimento a [Installazione della batteria](#) a pagina 48 e a [Parti di ricambio e accessori](#) a pagina 64.

10.5 Preparazione per la spedizione

AVVISO

Rischio di danneggiare lo strumento. Scaricare tutta l'acqua dall'unità prima della spedizione per evitare danni dovuti a temperature di congelamento.

Contattare il servizio di assistenza tecnica per le istruzioni prima della spedizione al produttore.

- Pulire e decontaminare lo strumento prima della spedizione.
- Spedire lo strumento con la batteria installata nel misuratore, ma accertarsi che la batteria non sia collegata al connettore.
- Scollegare le sonde e rimuovere le Chemkey prima della spedizione.
- Spedire lo strumento nella confezione originale o in una confezione di sicurezza alternativa.

Sezione 11 Individuazione ed eliminazione dei guasti

Errore/Avviso	Possibile causa	Soluzione
Errore di lettura del codice a barre Reinserire la/le Chemkey	La Chemkey non funziona correttamente. La Chemkey non è installata correttamente.	<ul style="list-style-type: none"> Reinserire la Chemkey nello slot. Utilizzare una nuova Chemkey. Pulire la finestra del codice a barre. Fare riferimento alla Figura 12 a pagina 61. Se il problema persiste, contattare l'assistenza tecnica.
Errore aspirazione campione.	La Chemkey non funziona correttamente. La Chemkey non è inserita a fondo nello slot.	Utilizzare una nuova Chemkey e accertarsi di introdurla a fondo nello slot. Se il problema persiste, contattare l'assistenza tecnica.
Perdita nella Chemkey. Provare un'altra Chemkey		
Chemkey scaduta	Il tempo di esercizio per la Chemkey è scaduto.	
Errore di misurazione (1-4)	Si è verificato un errore di misurazione nello slot specificato.	
Parametro non supportato	Il parametro non è disponibile nel software installato.	Aggiorna software. Cerca "SL1000" su www.hach.com . Andare alla sezione Download>Software/Firmware e seguire le istruzioni riportate nel sito Web.
Chemkey usata - sostit.	La Chemkey è già stata utilizzata o è presente dell'acqua nello slot.	Utilizzare una nuova Chemkey. Se il problema persiste, asciugare lo slot e lo strumento, quindi ripetere. Se il problema persiste, contattare l'assistenza tecnica.
Perdita dal vassoio. Sostituire il vassoio.	Si è verificato un problema con il vassoio misurato.	Sostituire il vassoio. Fare riferimento alla Figura 10 a pagina 60. Se il problema persiste, contattare l'assistenza tecnica.
Errore del riscaldatore. Sostituire il vassoio	Il vassoio non funziona correttamente.	
Rimuovere dal campione.	Il misuratore è stato introdotto nel campione prima che questo fosse pronto.	Attendere finché il misuratore non è pronto per essere introdotto nel campione.
Camp rimosso troppo presto		Introdurre un'altra Chemkey nello slot. Attendere finché il misuratore non è pronto per essere introdotto nel campione.
Troppo tempo nel campione	Le Chemkey sono state lasciate nel campione troppo a lungo. Si è verificato un errore di misurazione.	Rimuovere le Chemkey immediatamente non appena richiesto.
	Se l'avvertenza viene visualizzata mentre il misuratore non è nel campione, l'area dei pin del rilevatore di campione è sporca.	Pulire l'area dei pin del rilevatore di campione. Fare riferimento alla Pulizia o sostituzione delle parti a pagina 59. Se il problema persiste, contattare l'assistenza tecnica.
Sopra intervallo misura	La concentrazione è maggiore del limite superiore del metodo corrente.	Diluire il campione e ripetere la misurazione.
Sotto intervallo misura	La concentrazione è minore del limite inferiore del metodo corrente.	—

Errore/Avviso	Possibile causa	Soluzione
Vassoio troppo freddo.	Il misuratore potrebbe essere troppo freddo per riscaldare il vassoio oppure il riscaldatore non è in funzione.	Spostare il misuratore in un luogo con temperatura ambiente più alta e ripetere la misurazione. Sostituire il vassoio.
Vassoio troppo caldo.	Il misuratore è troppo caldo per eseguire una misurazione corretta.	Assicurarsi di raffreddare il misuratore o di spostarlo lontano dall'area calda.
Luce ambiente eccessiva. Inserire la Chemkey in un ambiente più scuro	La luce ambiente è troppo intensa per leggere il codice a barre.	Spostare il misuratore in un ambiente più buio e reinserire la Chemkey nello slot.
Luce insufficiente. Pulire lo slot Chemkey.	La Chemkey non funziona correttamente. La Chemkey non è installata correttamente.	<ul style="list-style-type: none"> Inserire la Chemkey nello slot con una sola pressione. Utilizzare una nuova Chemkey. Pulire lo slot Chemkey. Fare riferimento alla Figura 12 a pagina 61. Se il problema persiste, contattare l'assistenza tecnica.
Lo strumento richiede un intervento di manutenzione	Modulo guasto.	Utilizzare moduli correttamente funzionanti. Contattare l'assistenza tecnica per riparare il modulo difettoso.
Campione non trovato.	<ul style="list-style-type: none"> La coppetta per campioni non è riempita fino alla linea di riempimento. La conducibilità del campione è inferiore a 2 $\mu\text{S/cm}$. 	<ul style="list-style-type: none"> Assicurarsi che la coppetta per campioni sia riempita fino alla linea di riempimento. Assicurarsi che la conducibilità del campione sia superiore a 2 $\mu\text{S/cm}$. Pulire il rilevatore di campione. Fare riferimento alla Figura 11 a pagina 60. Se il problema persiste, contattare l'assistenza tecnica.

11.1 Esecuzione di un controllo diagnostico

Il menu di diagnostica visualizza le informazioni sulle versioni correnti del misuratore e l'opzione per formattare la scheda di memoria.

1. Premere **Menu principale>Diagnostica**.
2. Selezionare un'opzione.

Opzione	Descrizione
Spazio su disco	Mostra lo spazio su disco per la memoria utente e per la memoria interna.
Versioni config.	Mostra le versioni di configurazione delle impostazioni misuratore.
Versioni metodo	Mostra le versioni metodo del misuratore.
Formatta memoria	<p>Cancella tutti i dati del misuratore.</p> <p>Nota: tutti i dati del misuratore (ad es., configurazione misuratore, ID sito, ID operatore, percorsi, note, modelli e molto altro) andranno perduti una volta completata la formattazione della memoria.</p>

Sezione 12 Parti di ricambio e accessori

▲ AVVERTENZA



Pericolo di lesioni personali. L'uso di parti non approvate può causare lesioni personali, danni alla strumentazione o malfunzionamenti dell'apparecchiatura. La parti di ricambio riportate in questa sezione sono approvate dal produttore.

Nota: numeri di prodotti e articoli possono variare per alcune regioni di vendita. Contattare il distributore appropriato o fare riferimento al sito Web dell'azienda per dati di contatto.

Fare riferimento a Parti di ricambio e accessori nella versione estesa del manuale.

Table des matières

- | | |
|--|---|
| 1 Manuel de l'utilisateur en ligne à la page 65 | 7 Fonctionnement standard à la page 73 |
| 2 Caractéristiques à la page 65 | 8 Etalonnage à la page 77 |
| 3 Généralités à la page 66 | 9 Journal de données à la page 78 |
| 4 Installation à la page 68 | 10 Maintenance à la page 80 |
| 5 Interface utilisateur et navigation à la page 70 | 11 Dépannage à la page 83 |
| 6 Mise en marche à la page 72 | 12 Pièces de rechange et accessoires à la page 85 |

Section 1 Manuel de l'utilisateur en ligne

Ce manuel utilisateur simplifié contient moins d'informations que le manuel d'utilisation détaillé, disponible sur le site Web du fabricant.

Section 2 Caractéristiques

Ces caractéristiques sont susceptibles d'être modifiées sans avis préalable.

Caractéristiques	Détails
Dimensions (l x P x H)	13,08 x 5,89 x 25,83 cm (5,15 x 2,32 x 10,17 pouces)
Indice de protection du boîtier	IP64 avec caches installés pour les ports de connexion de sonde de l'appareil de mesure ou avec les sondes connectées à l'instrument
Poids	1.2 kg (2.7 lb)
Alimentation (interne)	Batterie rechargeable lithium-ion, 7.4V, 5.0Ah (5000mAh)
Alimentation (externe)	100 V–240 V c.a., entrée 50/60 Hz, sortie 12 V à 3 A
Température de fonctionnement (déchargeant)	5° à 50 °C (41 à 122 °F), maximum 85 % d'humidité relative (sans condensation)
Température de charge	5° à 45 °C (41 à 113 °F), maximum 85 % d'humidité relative (sans condensation)
Températures de stockage	–20° à 60 °C (–4 à 140 °F), maximum 85 % d'humidité relative (sans condensation)
Interface	Port mini USB
Connecteur d'entrée 5 broches	Deux connecteurs M12 pour sondes IntelliCal
Connexion de l'alimentation externe	Fiche 2,5 mm
Logements pour Chemkey	4
Mémoire de données	1 000 valeurs mesurées (résultat, date, heure, ID de site, ID d'utilisateur)
Stockage des données	Automatique en mode de mesure Appuyez pour lire. Manuel en mode de mesure Continu
Correction de température (pour les sondes IntelliCal™)	Désactivé, automatique et manuel (selon les paramètres)
Verrouillage de l'écran de mesure (pour les sondes IntelliCal™)	Modes de mesure Appuyez pour lire et Continu
Classe de protection	III
Certifications	CE, UKCA, FCC, ISED, RCM, KC
Garantie	1 an

Section 3 Généralités

En aucun cas le fabricant ne pourra être tenu responsable des dommages résultant d'une utilisation incorrecte du produit ou du non-respect des instructions du manuel. Le constructeur se réserve le droit d'apporter des modifications à ce manuel et aux produits décrits, à tout moment, sans avertissement ni obligation. Les éditions révisées se trouvent sur le site Internet du fabricant.

3.1 Consignes de sécurité

Le fabricant décline toute responsabilité quant aux dégâts liés à une application ou un usage inappropriés de ce produit, y compris, sans toutefois s'y limiter, des dommages directs ou indirects, ainsi que des dommages consécutifs, et rejette toute responsabilité quant à ces dommages dans la mesure où la loi applicable le permet. L'utilisateur est seul responsable de la vérification des risques d'application critiques et de la mise en place de mécanismes de protection des processus en cas de défaillance de l'équipement.

Veuillez lire l'ensemble du manuel avant le déballage, la configuration ou la mise en fonctionnement de cet appareil. Respectez toutes les déclarations de prudence et d'attention. Le non-respect de cette procédure peut conduire à des blessures graves de l'opérateur ou à des dégâts sur le matériel. Assurez-vous que la protection fournie avec cet appareil n'est pas défaillante. N'utilisez ni n'installez cet appareil d'une façon différente de celle décrite dans ce manuel.

3.1.1 Informations sur les risques d'utilisation

DANGER

Indique une situation de danger potentiel ou imminent qui, si elle n'est pas évitée, entraîne des blessures graves, voire mortelles.

AVERTISSEMENT

Indique une situation de danger potentiel ou imminent qui, si elle n'est pas évitée, peut entraîner des blessures graves, voire mortelles.

ATTENTION

Indique une situation de danger potentiel qui peut entraîner des blessures mineures ou légères.

AVIS

Indique une situation qui, si elle n'est pas évitée, peut occasionner l'endommagement du matériel. Informations nécessitant une attention particulière.

3.1.2 Etiquettes de mise en garde

Lisez toutes les informations et toutes les étiquettes apposées sur l'appareil. Des personnes peuvent se blesser et le matériel peut être endommagé si ces instructions ne sont pas respectées. Tout symbole sur l'appareil renvoie à une instruction de mise en garde dans le manuel.



Si l'appareil comporte ce symbole, reportez-vous au manuel d'instructions pour consulter les informations de fonctionnement et de sécurité.



Le matériel électrique portant ce symbole ne doit pas être mis au rebut dans les réseaux domestiques ou publics européens. Retournez le matériel usé ou en fin de vie au fabricant pour une mise au rebut sans frais pour l'utilisateur.

3.1.3 Certification

Avertissement EN 55011/CISPR 11

Ce produit appartient à la classe A. Dans un environnement domestique, ce produit peut provoquer des interférences radio auquel cas, l'utilisateur peut être amené à prendre des mesures adéquates.

Règlement canadien sur les équipements causant des interférences radio, ICES-003, Classe A :

Les données d'essai correspondantes sont conservées chez le constructeur.

Cet appareil numérique de classe A respecte toutes les exigences du Règlement sur le matériel brouilleur du Canada.

Cet appareil numérique de classe A répond à toutes les exigences de la réglementation canadienne sur les équipements provoquant des interférences.

FCC part 15, limites de classe A :

Les données d'essai correspondantes sont conservées chez le constructeur. L'appareil est conforme à la partie 15 de la réglementation FCC. Le fonctionnement est soumis aux conditions suivantes :

1. Cet équipement ne peut pas causer d'interférence nuisible.
2. Cet équipement doit accepter toutes les interférences reçues, y compris celles qui pourraient entraîner un fonctionnement inattendu.

Les modifications de cet équipement qui n'ont pas été expressément approuvées par le responsable de la conformité aux limites pourraient annuler l'autorité dont l'utilisateur dispose pour utiliser cet équipement. Cet équipement a été testé et déclaré conforme aux limites définies pour les appareils numériques de classe A, conformément à la section 15 de la réglementation FCC. Ces limites sont conçues pour offrir une protection raisonnable contre des interférences nuisibles lorsque l'appareil est utilisé dans un environnement commercial. Cet équipement génère, utilise et peut irradier l'énergie des fréquences radio et, s'il n'est pas installé ou utilisé conformément au mode d'emploi, il peut entraîner des interférences dangereuses pour les communications radio. Le fonctionnement de cet équipement dans une zone résidentielle risque de causer des interférences nuisibles, dans ce cas l'utilisateur doit corriger les interférences à ses frais. Les techniques ci-dessous peuvent permettre de réduire les problèmes d'interférences :

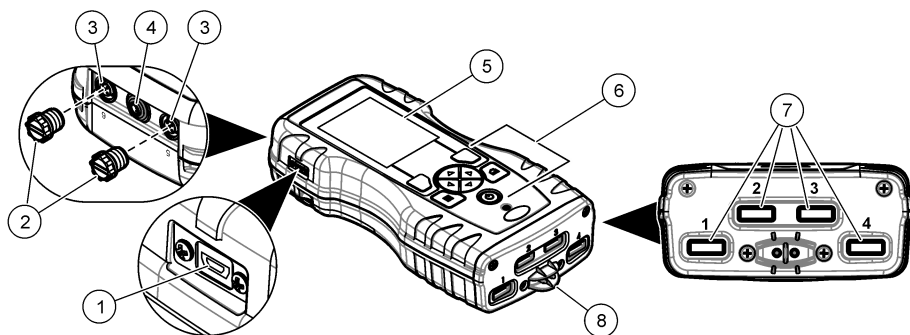
1. Débrancher l'équipement de la prise de courant pour vérifier s'il est ou non la source des perturbations
2. Si l'équipement est branché sur le même circuit de prises que l'appareil qui subit des interférences, branchez l'équipement sur un circuit différent.
3. Eloigner l'équipement du dispositif qui reçoit l'interférence.
4. Repositionner l'antenne de réception du périphérique qui reçoit les interférences.
5. Essayer plusieurs des techniques ci-dessus à la fois.

3.2 Présentation du produit

L'analyseur parallèle portable SL1000 mesure un maximum de six paramètres en même temps dans l'eau potable et d'autres applications d'eau potable. L'appareil de mesure utilise des Chemkeys® et sondes numériques IntelliCAL™ pour mesurer différents paramètres dans l'eau. L'appareil de mesure identifie automatiquement le type de Chemkey installée ou le type de sonde connectée à l'appareil de mesure.

L'appareil de mesure peut utiliser un maximum de quatre Chemkeys et jusqu'à deux sondes pour les mesures. Reportez-vous à la [Figure 1](#).

Figure 1 Présentation du produit



1 Port mini USB	5 Ecran
2 Caches des ports de connexion de sonde	6 Clavier
3 Ports de connexion de sonde	7 Logements pour Chemkey
4 Port d'accès à l'alimentation	8 Détecteur d'échantillon

3.3 Composants du produit

Assurez-vous d'avoir bien reçu tous les composants. Reportez-vous à la documentation fournie. Si un élément est absent ou endommagé, contactez immédiatement le fabricant ou un représentant.

Section 4 Installation

▲ AVERTISSEMENT



Dangers multiples. Seul le personnel qualifié doit effectuer les tâches détaillées dans cette section du document.

4.1 Sécurité des batteries au lithium

▲ AVERTISSEMENT



Risque d'incendie et d'explosion. Les batteries au lithium peuvent chauffer, exploser ou prendre feu et provoquer des blessures graves en cas d'exposition à des conditions abusives.

- N'utilisez pas la batterie si elle apparaît endommagée.
- N'utilisez pas la batterie après un choc fort ou des vibrations importantes.
- N'exposez pas la batterie à une flamme.
- Conservez la batterie à des températures inférieures à 60 °C (140 °F).
- Conservez la batterie au sec et à l'abri de l'eau.
- Evitez que la borne positive et la borne négative de la batterie n'entrent en contact.
- Ne laissez pas les personnes non autorisées toucher la batterie.
- Jetez la batterie conformément à la réglementation locale, régionale et nationale.
- N'utilisez et ne stockez pas l'appareil sous la lumière directe du soleil, près d'une source de chaleur ou dans des environnements à haute température tel que dans un véhicule fermé en plein soleil.

4.2 Installation de la batterie

⚠ AVERTISSEMENT



Risque d'incendie et d'explosion. Cet équipement contient une pile au lithium à haute énergie pouvant s'enflammer et provoquer un incendie ou une explosion, même en l'absence d'alimentation électrique. Pour maintenir le niveau de sécurité offert par le boîtier de l'instrument, les couvercles du boîtier de l'instrument doivent être installés et fermés à l'aide du matériel fourni.



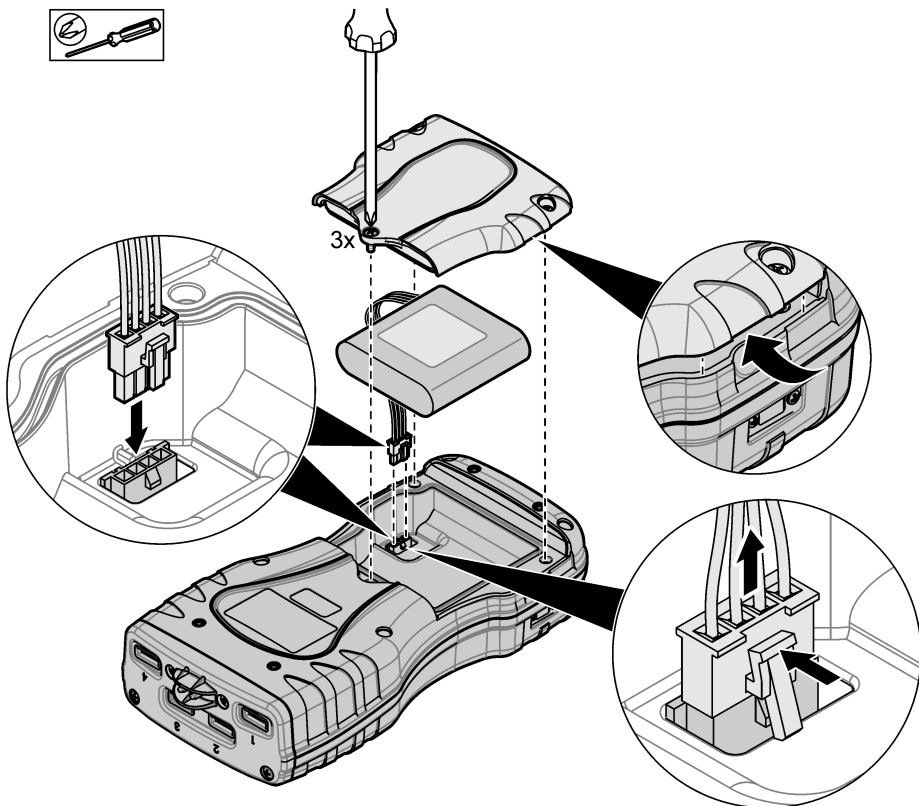
⚠ AVERTISSEMENT



Risque d'explosion et d'incendie. La substitution du type de pile n'est pas autorisée. Utilisez uniquement les piles fournies par le fabricant de l'appareil.

Utilisez uniquement la batterie rechargeable lithium-ion fournie par le fabricant. Reportez-vous à la [Figure 2](#) pour connaître la procédure d'installation ou de retrait de la batterie.

Figure 2 Installation et retrait de la batterie



4.3 Mise en charge de la batterie

▲ AVERTISSEMENT



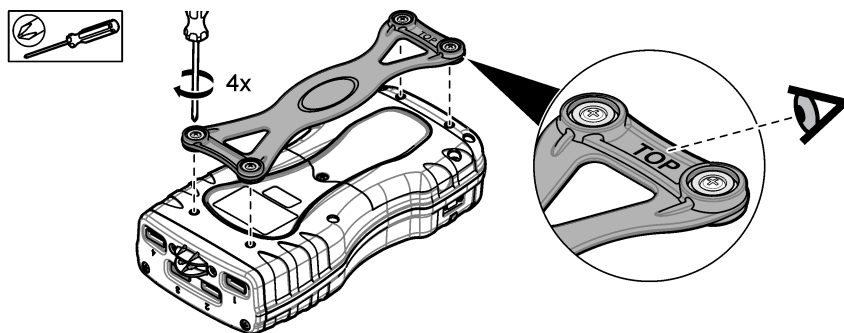
Risque d'incendie. Utilisez uniquement l'alimentation externe spécifiée pour cet instrument.

1. Connectez l'alimentation externe à une prise secteur.
2. Connectez l'alimentation externe au port d'alimentation de l'appareil de mesure. Reportez-vous à la [Présentation du produit](#) à la page 67.
 - L'instrument peut être utilisé pendant le chargement de la batterie.
 - Le remplacement de l'alimentation externe est interdit. Utilisez uniquement l'alimentation externe préconisée dans la liste de pièces et d'accessoires pour l'instrument. Reportez-vous à la [Pièces de rechange et accessoires](#) à la page 85.
 - Ne chargez pas la batterie pendant plus de 24 heures.

4.4 Mise en place de la dragonne

Mettez la dragonne en place pour tenir l'appareil de mesure de façon sécurisée. Reportez-vous à la section [Figure 3](#).

Figure 3 Mise en place de la dragonne

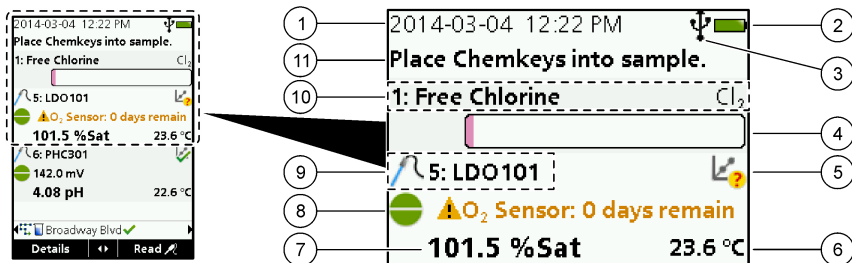


Section 5 Interface utilisateur et navigation

5.1 Description de l'écran

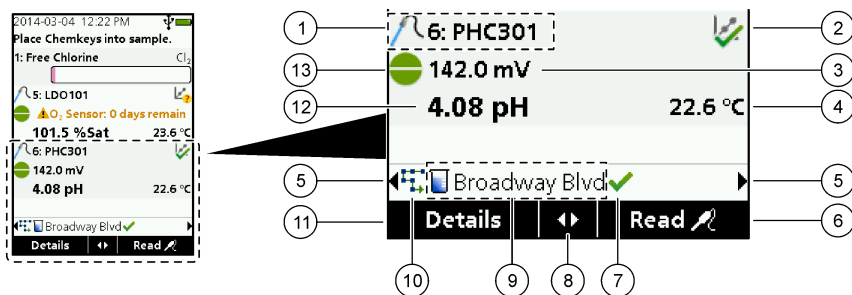
Reportez-vous à la [Figure 4](#) et la [Figure 5](#) pour obtenir la description de l'écran de mesure.

Figure 4 Ecran de mesure (partie supérieure)



1 Date et heure	7 Valeur de mesure primaire (paramètre sélectionné par l'utilisateur)
2 Etat des piles	8 Icône de stabilité avec icône et message d'avertissement
3 Icône de connexion active USB (port COM) lorsque la classe de communication est sélectionnée	9 Icône de sonde, numéro de port, paramètre ou nom de sonde
4 Barre de progression (mesure non terminée)	10 Numéro de logement, nom de paramètre et symbole chimique
5 Icône d'état de l'étalonnage (étalonnage incorrect)	11 Message d'importance majeure pour les appareils (suivi d'une erreur et d'un message d'avertissement)
6 Mesure secondaire (paramètre sélectionné par l'utilisateur)	

Figure 5 Ecran de mesure (partie inférieure)

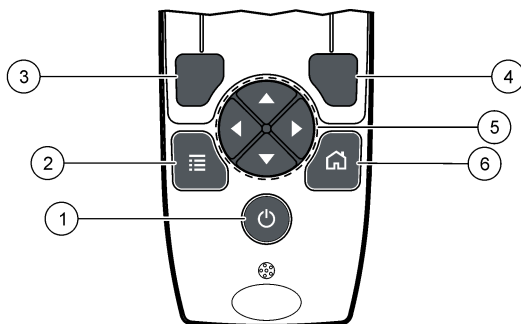


1 Icône de sonde, numéro de port, paramètre ou nom de sonde	8 Touches fléchées actives
2 Icône d'état de l'étalonnage (étalonnage correct)	9 Icône d'ID de site et nom du site
3 Valeur de mesure secondaire (paramètre sélectionné par l'utilisateur)	10 Icône de séquence (lorsque l'affichage des séquences est activé)
4 Valeur de mesure tertiaire (paramètre sélectionné par l'utilisateur)	11 Options (contextuelles : Détails, Exit, Annuler, Sélectionner, Désél.)
5 Flèches droite et gauche pour sélectionner l'ID de site applicable	12 Valeur de mesure primaire (sélectionnée par l'utilisateur)
6 Options (contextuelles : Lire, Sélectionner, OK, Supprimer)	13 Icône de stabilité
7 Coche : mesure complète sur site	

5.2 Description du clavier

Consultez [Figure 6](#) pour obtenir une description du clavier et des informations de parcours des menus.

Figure 6 Description du clavier



1 Touche d'alimentation	4 Touche de sélection DROITE (contextuelle) : lecture d'échantillons, suppression, sélection ou confirmation d'options, ouverture de sous-menus
2 Touche MENU PRINCIPAL : vérification, étalonnage, séquences, paramètres, journal de données, informations, diagnostics, ID opérateur et de site	5 Touches de navigation HAUT, BAS, DROITE, GAUCHE ¹ : permettent de faire défiler les menus, de saisir des nombres et lettres.
3 Touche de sélection GAUCHE (contextuelle) : détails, sélection/désélection, annulations ou sorties de l'écran de menu pour revenir au précédent	6 ACCUEIL : permet d'accéder à l'écran de mesure principal.

Section 6 Mise en marche

6.1 Mise sous tension

Appuyez sur la touche **ALIMENTATION** pour mettre sous ou hors tension l'appareil de mesure. Si l'appareil de mesure ne s'allume pas, vérifiez que la batterie est installée correctement.

6.2 Modifier la langue

Sélectionnez la langue d'affichage au premier allumage de l'appareil de mesure. Modifiez la langue dans le menu **Paramètres**.

1. Appuyez sur **Paramètres>Langue**.
2. Sélectionnez la langue souhaitée.

6.3 Modifier la date et l'heure

Il existe deux possibilités pour définir la date et l'heure ainsi que le format :

- Réglez la date et l'heure au premier allumage de l'appareil de mesure.
- Régler la date et l'heure à partir du menu Date et heure.

1. Sélectionnez **Paramètres>Mesure>Date et heure**.
2. Utilisez les touches fléchées afin de sélectionner le format pour la date et l'heure, puis saisissez l'heure et la date.

¹ HAUT, BAS : permettent de parcourir les mesures lorsqu'il y a plus de quatre mesures ; DROITE, GAUCHE : permettent de parcourir les ID opérateurs et d'échantillon.

La date et l'heure seront affichées sur l'écran et dans les données de mesure enregistrées.

Section 7 Fonctionnement standard

7.1 Utiliser un ID d'opérateur

L'étiquette d'ID d'opérateur associe les mesures à un opérateur particulier. Toutes les données enregistrées incluent cet ID.

Pour gérer facilement les ID opérateurs, utilisez l'application Web « tool.htm ». Consultez le site Internet du fabricant de l'instrument pour plus d'informations.

1. Appuyez sur **Menu principal>ID opérateur**.
2. Sélectionnez une option.

Option	Description
Mode	Permet d'activer ou de désactiver (par défaut) la fonction d'ID opérateur.
Sélectionner	Sélectionne un ID dans une liste. L'ID en cours sera associé aux données d'échantillon jusqu'à la sélection d'un ID différent. Utilisez les flèches HAUT et BAS pour sélectionner un ID opérateur à partir de l'écran d'accueil. Il est possible de sélectionner l'ID opérateur sur l'écran de mesure avant l'insertion d'une Chemkey dans le logement ou la connexion d'une sonde.
Créer	Entre un nom pour un nouvel ID d'opérateur.
Supprimer	Efface un identifiant d'opérateur existant.

7.2 Utilisation d'un ID de site

Sélectionnez la balise d'ID de site pour associer les mesures à un échantillon précis ou à un site. Les données enregistrées incluent cette identification si elle est attribuée.

Pour gérer facilement les ID de site, utilisez l'application Web « tool.htm ». Consultez le site Internet du fabricant de l'instrument pour plus d'informations.

1. Appuyez sur **Menu principal>ID du site**.
2. Sélectionnez une option.

Option	Description
Mode	Permet de définir la fonction d'ID du site sur manuel, auto, désactivé ou séquences. Manuel : permet de sélectionner manuellement un ID de site. Auto : les échantillons sont numérotés de façon séquentielle pour chaque mesure jusqu'à ce qu'un ID différent soit sélectionné. Désactivé : la fonction d'ID de site est désactivée (par défaut). Séquences : fournit un sous-ensemble ordonné de la liste complète d'ID de site.
Sélectionner	Sélectionne un ID dans une liste. L'identifiant en cours sera alors associé aux données d'échantillon jusqu'à la sélection d'un autre identifiant. Définissez ID du site>Afficher sur Oui. Utilisez les flèches DROITE ou GAUCHE pour sélectionner l'ID de site actuel sur l'écran de mesure. Assurez-vous que ID du site>Afficher est défini sur Oui et qu'au moins une Chemkey se trouve dans le logement ou qu'une sonde est branchée.
Créer	Permet d'ajouter un nouvel ID de site.
Supprimer	Permet d'effacer les ID de site existants. Remarque : assurez-vous de sélectionner le mode Manuel pour supprimer un ID de site.
Afficher	Permet d'afficher l'ID de site sur l'écran de mesure. Fonction pouvant être activée ou désactivée.

Option	Description
Séquences	Fournit une liste ordonnée d'ID de site. Si une séquence est sélectionnée, les ID de site s'affichent automatiquement sur l'écran de mesure et sont enregistrés. Appuyez sur la flèche DROITE pour sélectionner l'emplacement suivant. Utilisez l'application Web « tool.htm » pour définir les séquences. Consultez le site Internet du fabricant de l'instrument pour plus d'informations.
Notes	Permet d'enregistrer des informations spéciales et d'ajouter ces informations à un journal d'événements.

7.3 Réalisation de mesures de Chemkey

AVIS

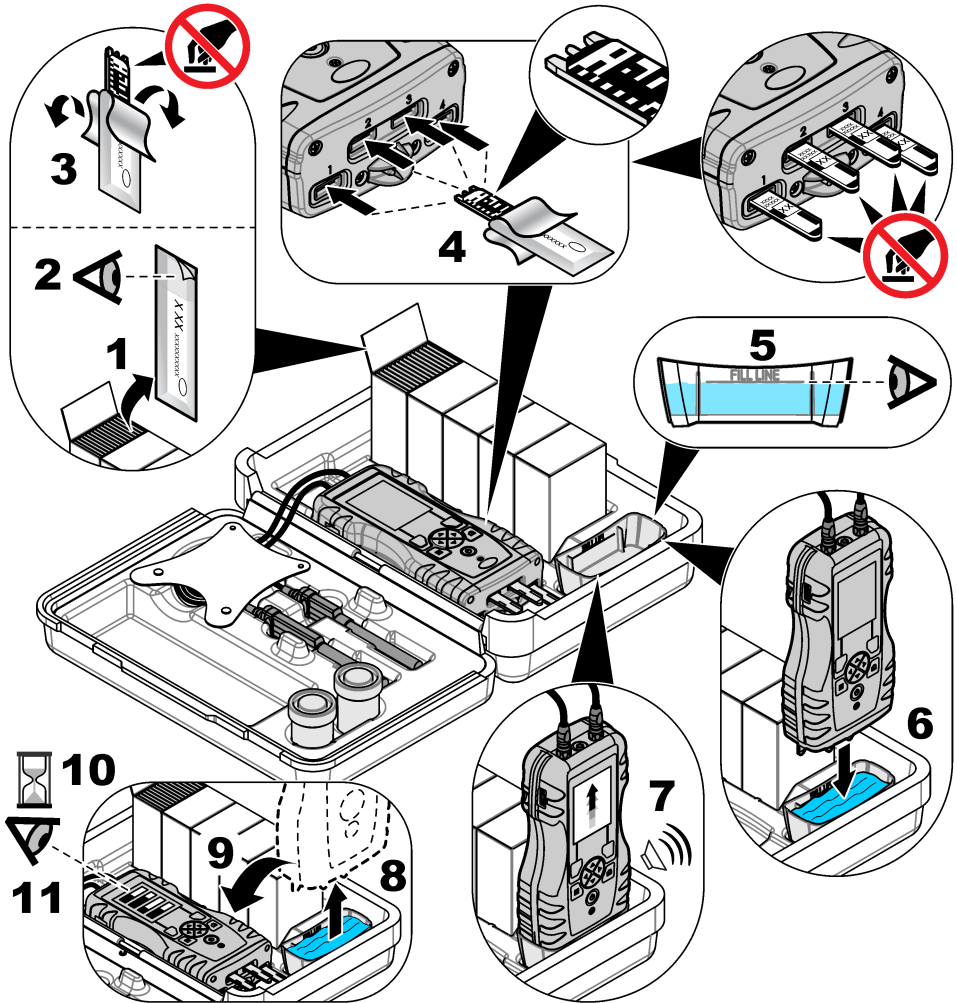
Ne commencez pas une nouvelle mesure de Chemkey lorsque d'autres mesures sont en cours. Placez l'appareil de mesure dans l'échantillon une seule fois pour une mesure de Chemkey.

Pour effectuer une mesure avec la ou les Chemkeys, appliquez la procédure suivante. Reportez-vous à la [Figure 7](#). Plusieurs mesures de sonde peuvent être réalisées simultanément. Reportez-vous à la [Réalisation de mesures de sonde](#) à la page 76.

1. Mettez l'appareil sous tension.
 2. Si une traçabilité totale est nécessaire, saisissez un ID de site et un ID opérateur avant la mesure. Reportez-vous aux sections [Utiliser un ID d'opérateur](#) à la page 73 et [Utilisation d'un ID de site](#) à la page 73.
 3. En un seul mouvement, enfoncez doucement la ou les Chemkeys applicables dans le(s) logement(s) 1 à 4. Assurez-vous de toujours utiliser une nouvelle Chemkey pour chaque mesure. Il est important de bien enfoncer la Chemkey dans le logement. Lorsqu'une Chemkey se trouve dans un logement, ne bougez pas et ne touchez pas la Chemkey.²
 4. Rincez le gobelet d'échantillon avec ce dernier.
 5. Remplissez d'échantillon le gobelet d'échantillon de l'appareil de mesure, jusqu'à la jauge.
 6. Placez l'appareil de mesure dans le gobelet d'échantillon de l'appareil de mesure.
 7. Attendez (1 à 2 secondes) l'alerte sonore et/ou l'animation de retrait de l'appareil de mesure, puis retirez immédiatement l'appareil de mesure du gobelet d'échantillon. Replacez l'appareil de mesure dans l'étui et attendez que la mesure se termine. Selon les paramètres, les temps de réaction diffèrent. L'écran affiche une barre de progression indiquant le temps restant avant que la mesure ne soit complète.
 8. Les valeurs de mesure apparaissent sur l'écran.
- Remarque :** en cas d'erreur, appuyez sur **Détails** pour en savoir plus.

² Une Chemkey de monochloramine et une Chemkey d'ammoniac libre sont toutes deux nécessaires pour obtenir une mesure d'ammoniac libre.

Figure 7 Mesure d'échantillon de la Chemkey



7.4 Branchement d'une sonde

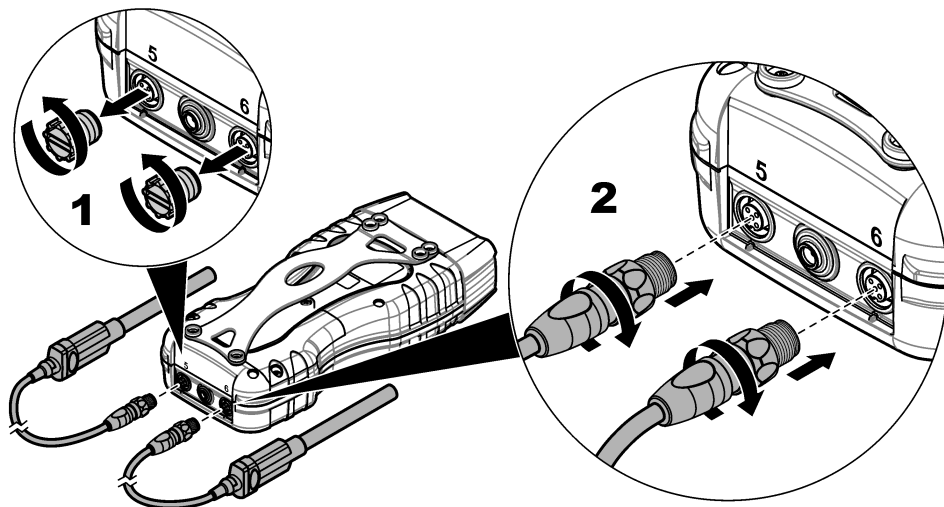
AVIS

Ne jetez pas les caches des ports de connexion de sonde. Assurez-vous que les caches des ports de connexion de sonde sont en place lorsqu'aucune sonde n'est connectée.

Assurez-vous que l'écran indique la date et l'heure actuelles, puis branchez la sonde à l'appareil de mesure. Reportez-vous à la [Figure 8](#).

Remarque : L'horodatage d'une sonde s'effectue lors de la première connexion à l'appareil de mesure. Cet horodatage permet d'enregistrer l'historique de la sonde et le temps d'exécution de mesure.

Figure 8 Connexions de la sonde



7.5 Réalisation de mesures de sonde

Réalisez la procédure suivante pour effectuer une mesure avec une ou des sondes. Reportez-vous à la [Figure 9](#). Plusieurs mesures de Chemkey peuvent être réalisées simultanément. Reportez-vous à la [Réalisation de mesures de Chemkey](#) à la page 74.

1. Etalonnez les sondes avant une première utilisation. Reportez-vous à la [Étalonnez la sonde](#) à la page 77.

Remarque : Pour une précision optimale, étalonnez quotidiennement les sondes.

2. Réglez la date et l'heure sur l'appareil avant de brancher la sonde. Reportez-vous à la [Modifier la date et l'heure](#) à la page 72.

La sonde doit avoir un horodatage de durée de vie correct.

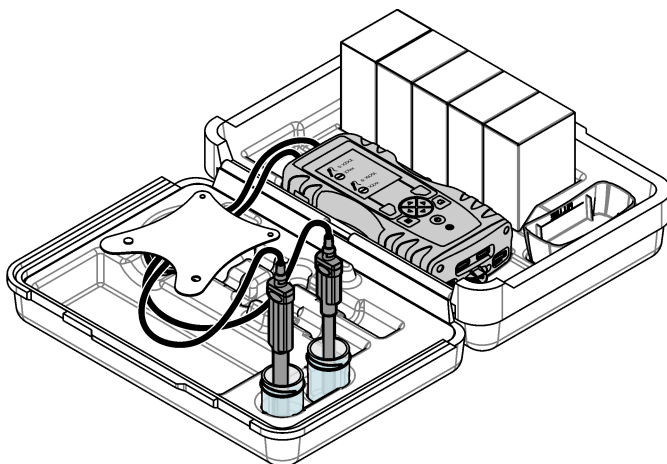
3. Si une traçabilité totale est nécessaire, saisissez un ID de site et un ID opérateur avant la mesure. Reportez-vous aux sections [Utiliser un ID d'opérateur](#) à la page 73 et [Utilisation d'un ID de site](#) à la page 73.

4. Retirez les caches des ports de connexion de sonde et connectez la ou les sondes. Reportez-vous à la [Figure 8](#) à la page 76 pour savoir comment connecter les sondes.

Remarque : ne jetez pas les caches des ports de connexion de sonde. Remettez en place les caches des ports de connexion de sonde lorsqu'aucune sonde n'est connectée.

5. Rincez les flacons d'échantillon avec ce dernier.
6. Remplissez le flacon d'échantillon avec de l'échantillon, afin que le capteur soit recouvert d'échantillon.
7. Placez la ou les sondes dans les flacons d'échantillon de sonde et appuyez sur **Lire** si le mode de mesure est défini sur **Appuyez pour lire**. Pour en savoir plus, consultez la documentation de la sonde.
8. Les valeurs de mesure apparaissent sur l'écran.

Figure 9 Mesure de l'échantillon




Section 8 Etalonnage

⚠ ATTENTION



Risque d'exposition chimique. Respectez les procédures de sécurité du laboratoire et portez tous les équipements de protection personnelle adaptés aux produits chimiques que vous manipulez. Consultez les fiches de données de sécurité (MSDS/SDS) à jour pour connaître les protocoles de sécurité applicables.

8.1 Etalonnez la sonde

Chaque sonde utilise un type de solution d'étalonnage différent. Veillez à étalonner les sondes fréquemment pour maintenir le niveau de précision le plus élevé. L'appareil de mesure indique l'état de l'étalonnage. Si celui-ci est incorrect, l'icône d'étalonnage avec le point d'interrogation  reste affichée jusqu'à ce que la sonde soit étalonnée correctement. Lorsque l'étalonnage est correct, l'icône correspondante avec la coche verte apparaît. Pour des instructions pas à pas, consultez les documents inclus avec chaque sonde. Consultez le site Internet du fabricant de l'instrument pour plus d'informations.

1. Branchement d'une sonde.
2. Appuyez sur **Menu Principal**>**Etalonner** pour lancer l'étalonnage.
3. Sélectionnez la sonde applicable lorsque plusieurs sont connectées à l'instrument.

Remarque : si une seule sonde est connectée, cette étape ne s'affiche pas.

4. Suivez les instructions indiquées à l'écran pour étalonner la sonde.

Remarque : Pour une sonde ISE, appuyez sur la flèche vers la DROITE pour accéder à l'étalon suivant. Mesurez des étalons allant d'une faible concentration à une concentration élevée.

5. Si nécessaire, procédez à une vérification. Reportez-vous à la [Vérification de la sonde](#) à la page 78.

8.2 Etalonnage en usine

Le fabricant recommande d'effectuer un étalonnage d'usine complète chaque année afin de s'assurer que le système fonctionne comme prévu. Veuillez contacter le Service Après-Vente de Hatch de votre région.

8.3 Etalonnage de l'appareil de mesure selon un paramètre de Chemkey spécifique

Chaque Chemkey utilise différentes configurations d'étalonnage. Consultez le site Internet du fabricant de l'instrument pour plus d'informations.

1. En un seul mouvement, enfoncez doucement la ou les Chemkeys applicables dans le(s) logement(s) 1 à 4.
2. Appuyez sur **Menu Principal>Etalonner** pour lancer l'étalonnage.
3. Sélectionnez la Chemkey applicable.
4. Saisissez la valeur d'ajustement d'étalon applicable.
5. Suivez les instructions indiquées à l'écran pour étalonner la Chemkey.
6. Si nécessaire, procédez à une vérification. Reportez-vous à la [Vérification d'une Chemkey](#) à la page 78.

8.4 Vérification de la sonde

1. Appuyez sur **Menu principal>Vérification** pour lancer la vérification.
2. Sélectionnez l'appareil applicable.
3. Suivez les instructions indiquées à l'écran pour la vérification.

Remarque : Pour modifier l'étalon utilisé pour la vérification, appuyez sur **Menu principal >Paramètres>Sonde>[Sélectionner la sonde]>Options de vérification>Etalon**

8.5 Vérification d'une Chemkey

Il existe deux méthodes pour procéder à la vérification d'une Chemkey. Pour la vérification, utilisez une Chemkey avec paramétrage spécifique ou une Chemkey de vérification du système. Reportez-vous à la [Pièces de rechange et accessoires](#) à la page 85.

• Chemkey avec paramétrage spécifique :

1. Enfoncez doucement et en un seul mouvement la Chemkey avec paramétrage spécifique dans le(s) logement(s) 1 à 4.
2. Ensuite, appuyez sur **Menu principal>Vérification** pour lancer la vérification.
3. Effectuez l'ensemble du processus à l'aide du menu.

• Chemkey de vérification du système :

1. Appuyez sur **Menu principal>Vérification** pour lancer la vérification.
2. Ensuite, en un seul mouvement, appuyez doucement sur la Chemkey de vérification du système pour l'insérer dans le premier logement.
3. Effectuez l'ensemble du processus à l'aide du menu.

Section 9 Journal de données

Le journal de données affiche toutes les mesures enregistrées.

1. Appuyez sur **Menu principal>Journal de données**.
2. Sélectionnez une option.

Option	Description
Tous les journaux par date	Affiche les résultats de mesure d'échantillon : nom de la sonde, numéro de série de la sonde, valeur, unité, température, heure, date, remarques, ID opérateur, ID de site et informations d'étalonnage. La dernière mesure s'affiche à l'écran. Appuyez sur la flèche GAUCHE pour examiner les mesures antérieures.

Option	Description
Étal. actuel sonde	Affiche les informations d'étalonnage pour l'étalonnage le plus récent. Si la sonde n'a pas été étalonnée par l'utilisateur, ce sont les données d'étalonnage d'usine qui sont indiquées.
Historique étal. sonde	Affiche la liste des dates d'étalonnage de la sonde. Sélectionner une date et heure pour afficher un récapitulatif des données d'étalonnage.
Sup. journal données	Efface toutes les données de l'appareil de mesure en même temps. Les données concernant l'appareil sont conservées.

9.1 Importation de données vers Excel

▲ AVERTISSEMENT



Risque d'électrocution. Tout équipement externe relié doit avoir fait l'objet d'un contrôle de sécurité conformément aux normes nationales applicables.

L'appareil de mesure enregistre le journal de données au format XML. L'ID de site, la séquence, la date et l'heure, le paramètre, la valeur mesurée, les unités, l'ID opérateur, le numéro de logement, le code de lot de la Chemkey et le numéro de série de l'appareil de mesure peuvent être enregistrés dans une feuille de calcul Excel.

1. Mettez l'appareil sous tension.
2. Connectez l'appareil de mesure à l'ordinateur à l'aide du câble USB. L'appareil de mesure s'affiche en tant que lecteur « Hach Portable Parallel Analysis » (Analyse parallèle portable Hach) sur l'ordinateur.
3. Ouvrez le dossier « DataTemplate » (Modèle de données) à partir du lecteur.
4. Ouvrez le fichier « LogTemplate.xltx ».
5. Cliquez avec le bouton droit sur la cellule « A2 » et sélectionnez XML>Import (Importer).
6. Sélectionnez tous les fichiers journaux à partir du dossier « Data » (Données) depuis le lecteur « Hach Portable Parallel Analysis » (Analyse parallèle portable Hach).
7. Cliquez sur **Importer**.
Le journal de données s'affiche dans la feuille de calcul Excel.
8. Enregistrez le fichier sur l'ordinateur ou sur une clé USB, si besoin.
9. Débranchez l'appareil de mesure de l'ordinateur de façon sécurisée. Cliquez sur l'icône avec la flèche verte de la barre des tâches : « Retirer le périphérique en toute sécurité et éjecter le média ».
Remarque : il vous faudra cliquer sur « Afficher les icônes cachées » dans la barre des tâches pour afficher certaines icônes.
10. Débranchez le câble USB de l'appareil de mesure.

9.2 Consultation des données dans un navigateur Web

Pour consulter le journal de données dans un navigateur Web, effectuez les étapes suivantes. L'ID de site, la séquence, la date et l'heure, le paramètre, la valeur mesurée, les unités, l'ID opérateur, le numéro de logement, le code de lot de la Chemkey et le numéro de série de l'appareil de mesure apparaissent dans le navigateur Web sélectionné.

1. Mettez l'appareil sous tension.
2. Connectez l'appareil de mesure à l'ordinateur à l'aide du câble USB. L'appareil de mesure s'affiche en tant que lecteur « Hach Portable Parallel Analysis » (Analyse parallèle portable Hach) sur l'ordinateur.
3. Ouvrez le dossier « Data » (Données) dans le lecteur.

4. Ouvrez un fichier de journal de données.

- Ouvrez « LogNN.XML » (NN = chiffres de 0 à 9) dans le navigateur de votre choix.
- Dans le navigateur Web, cliquez sur **Fichier>Ouvrir** et recherchez le dossier « Data » (Données).

5. Enregistrez le fichier sur l'ordinateur ou sur une clé USB, si besoin.

6. Débranchez l'appareil de mesure de l'ordinateur de façon sécurisée. Cliquez sur l'icône avec la flèche verte de la barre des tâches : « Retirer le périphérique en toute sécurité et éjecter le média ».

Remarque : il vous faudra cliquer sur « Afficher les icônes cachées » dans la barre des tâches pour afficher certaines icônes.

7. Débranchez le câble USB de l'appareil de mesure.

Section 10 Maintenance

▲ AVERTISSEMENT



Dangers multiples. Seul le personnel qualifié doit effectuer les tâches détaillées dans cette section du document.

▲ ATTENTION



Risque d'exposition chimique. Respectez les procédures de sécurité du laboratoire et portez tous les équipements de protection personnelle adaptés aux produits chimiques que vous manipulez. Consultez les fiches de données de sécurité (MSDS/SDS) à jour pour connaître les protocoles de sécurité applicables.

▲ ATTENTION



Risque d'exposition chimique. Mettez au rebut les substances chimiques et les déchets conformément aux réglementations locales, régionales et nationales.

10.1 Nettoyage des débordements

▲ ATTENTION



Risque d'exposition chimique. Mettez au rebut les substances chimiques et les déchets conformément aux réglementations locales, régionales et nationales.

1. Respectez toutes les règles de sécurité du site concernant le contrôle des débordements.
2. Jetez les déchets en suivant les règles applicables.

10.2 Nettoyer l'instrument

Nettoyer l'extérieur de l'instrument avec un chiffon humide et une solution de savon doux, puis essuyer l'instrument autant que nécessaire.

10.3 Nettoyer ou remplacement des pièces

Lorsque certaines erreurs ou certains avertissements apparaissent, cela signifie qu'il convient de nettoyer les logements pour Chemkeys, les fenêtres optiques, la fenêtre de code barre, le détecteur d'échantillon ou de remplacer les plateaux. Employez de l'alcool isopropylique pour nettoyer les pièces. Utilisez de l'eau et un détergent doux pour nettoyer l'écran protecteur de la lumière. Assurez-vous de toujours passer le coton-tige dans la même direction. Reportez-vous à la [Figure 10](#) pour retirer le cache d'accès au système optique, l'écran protecteur de la lumière et les plateaux. Reportez-vous à la [Figure 11](#) et la [Figure 12](#) pour prendre connaissance de la procédure de nettoyage.

Eléments nécessaires : coton-tige, alcool isopropylique, eau et détergent doux

Figure 10 Retrait des pièces et réassemblage

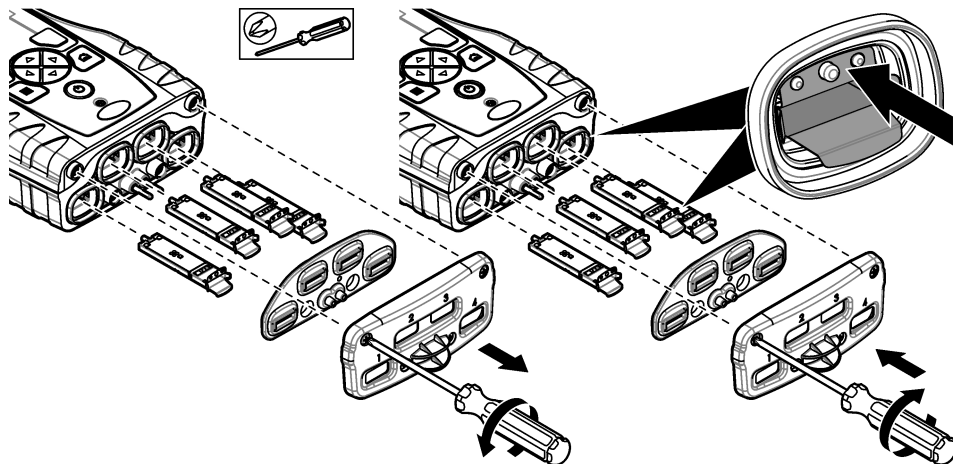
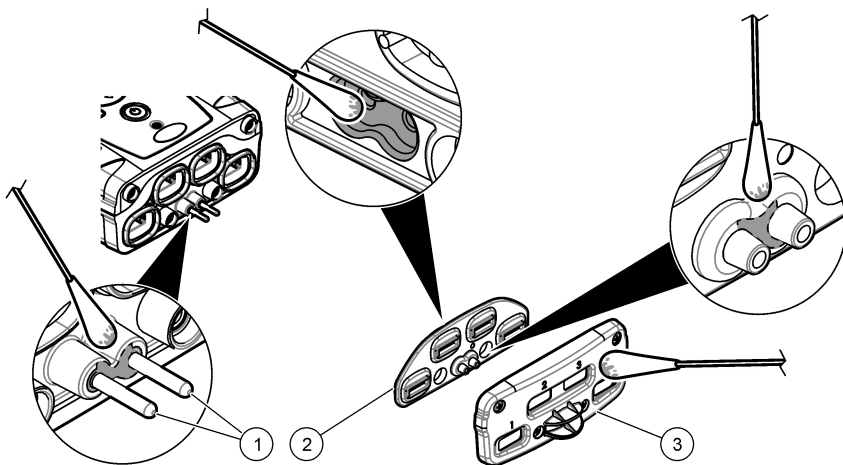


Figure 11 Nettoyage du détecteur d'échantillon, de l'écran protecteur de la lumière et du cache d'accès

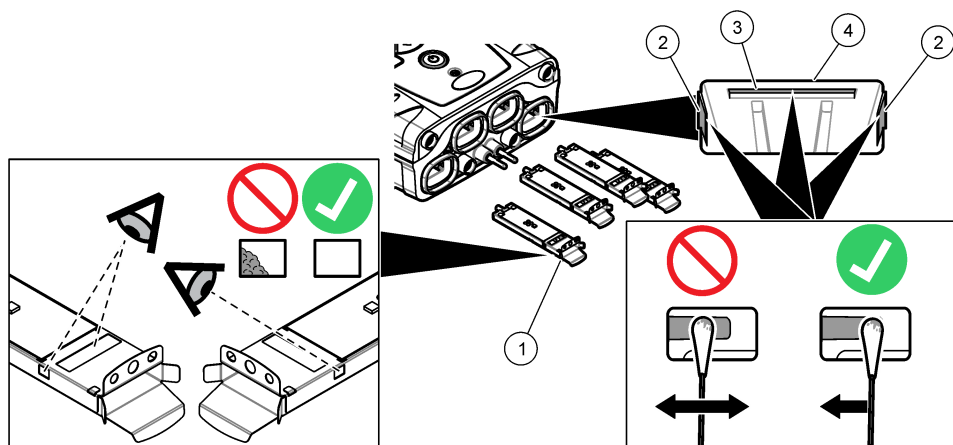


1 Détecteur d'échantillon

2 Ecran protecteur de la lumière

3 Cache d'accès au système optique

Figure 12 Nettoyage des plateaux et logements pour Chemkeys



1 Plaque	3 Fenêtre de code barre
2 Fenêtre optique	4 Logement pour Chemkey

10.4 Chargement ou remplacement de la batterie

Chargez la batterie lorsque le niveau d'autonomie est faible. Remplacez la batterie si vous constatez qu'elle se décharge trop vite. Utilisez uniquement la batterie spécifiée fournie par le fabricant. Reportez-vous aux sections [Installation de la batterie](#) à la page 69 et [Pièces de rechange et accessoires](#) à la page 85.

10.5 Préparation à l'expédition

AVIS

Dégât potentiel sur l'instrument. Vidangez toute l'eau de l'unité avant l'expédition afin d'éviter tout dégât provoqué par des températures inférieures à 0 °C.

Contactez le support technique pour obtenir des instructions avant l'envoi au fabricant.

- Nettoyez et décontaminez l'instrument avant l'envoi.
- Envoyez l'instrument avec la batterie installée dans l'appareil de mesure. Toutefois, assurez-vous que la batterie n'est pas reliée au connecteur.
- Déconnectez les sondes et retirez les Chemkeys avant l'envoi.
- Envoyez l'instrument dans l'emballage d'origine ou dans un nouvel emballage sûr.

Section 11 Dépannage

Erreur/Avvertissement	Cause possible	Solution
Erreur lecture code barre Réinsérez la/les Chemkey(s)	La Chemkey ne fonctionne pas correctement. La Chemkey n'est pas installée correctement.	<ul style="list-style-type: none"> • Remplacez la Chemkey dans le logement. • Utilisez une nouvelle Chemkey. • Nettoyez la fenêtre de code barre. Reportez-vous à la Figure 12 à la page 82. • Si le problème persiste, prenez contact avec le support technique.
Erreur aspiration échantillon.	La Chemkey ne fonctionne pas correctement. La Chemkey n'est pas insérée au fond du logement.	Utilisez une nouvelle Chemkey et assurez-vous de l'insérer entièrement dans le logement. Si le problème persiste, prenez contact avec le support technique.
Fuite de la Chemkey. Essayez-en une autre		
Chemkey expirée	La période d'utilisation de la Chemkey a expiré.	
Erreur de mesure (1-4)	Une erreur de mesure est survenue dans le logement spécifié.	
Paramètre non pris en charge	Le paramètre n'est pas disponible dans le logiciel de l'instrument installé.	Mettez à jour le logiciel de l'instrument. Recherchez « SL1000 » sur www.hach.com . Rendez-vous dans la section Téléchargements > Logiciel/Micrologiciel et suivez les instructions indiquées sur le site Web.
Chemkey à remplacer	La Chemkey a déjà été utilisée ou de l'eau s'est infiltrée dans le logement.	Utilisez une nouvelle Chemkey. Si le problème persiste, séchez le logement et l'instrument, puis réessayez. Si le problème persiste, prenez contact avec le support technique.
Fuite du plateau Remplacez le plateau.	Un problème est survenu avec le plateau mesuré.	Remplacez le plateau. Reportez-vous à la Figure 10 à la page 81. Si le problème persiste, prenez contact avec le support technique.
Erreur chauffage Remplacez le plateau	Le plateau ne fonctionne pas correctement.	
Remove from sample (Retirez de l'échantillon).	L'appareil de mesure a été placé dans l'échantillon avant d'être prêt.	Attendez que l'appareil de mesure soit prêt à être placé dans l'échantillon.
Echantillon retiré trop tôt		Placez une nouvelle Chemkey dans le logement. Attendez que l'appareil de mesure soit prêt à être placé dans l'échantillon.
Trop de temps dans échant.	Les Chemkeys ont été laissées trop longtemps dans l'échantillon. Une erreur de mesure s'est produite.	Retirez immédiatement les Chemkeys lorsque cela vous est demandé.
	Si cet avertissement s'affiche alors que l'appareil de mesure n'est pas dans l'échantillon, cela signifie que l'embout du détecteur d'échantillon est sale.	Nettoyez l'embout du détecteur d'échantillon. Reportez-vous à la Nettoyage ou remplacement des pièces à la page 80. Si le problème persiste, prenez contact avec le support technique.
Supérieure à la plage	La concentration est supérieure à la limite supérieure de la méthode actuelle.	Diluez l'échantillon et effectuez à nouveau la mesure.
Inférieure à la plage	La concentration est inférieure à la limite inférieure de la méthode actuelle.	—

Erreur/Avertissement	Cause possible	Solution
Plateau trop froid.	L'appareil de mesure peut être trop froid pour chauffer le plateau ou l'appareil de chauffage n'est pas opérationnel.	Déplacez l'appareil de mesure dans un environnement à la température ambiante supérieure et mesurez à nouveau. Remplacez le plateau.
Plateau trop chaud.	L'appareil de mesure est trop chaud pour prendre une mesure correcte.	Faites en sorte de refroidir l'appareil de mesure ou retirez-le de l'environnement à température ambiante élevée.
Trop de lumière ambiante. Insérez la Chemkey dans un endroit plus sombre	La luminosité ambiante est trop élevée pour lire le code barre.	Déplacez l'appareil de mesure dans un endroit plus sombre et remplacez la Chemkey dans le logement.
Faible luminosité. Nettoyez logement Chemkey.	La Chemkey ne fonctionne pas correctement. La Chemkey n'est pas installée correctement.	<ul style="list-style-type: none"> • Insérez la Chemkey dans le logement en un seul mouvement. • Utilisez une nouvelle Chemkey. • Nettoyez le logement de la Chemkey. Reportez-vous à la Figure 12 à la page 82. • Si le problème persiste, prenez contact avec le support technique.
L'instrument nécessite un entretien.	Défaillance du module.	Utilisez les modules qui fonctionnent correctement. Contactez le support technique pour réparer le module défaillant.
Echantillon non trouvé.	<ul style="list-style-type: none"> • Le gobelet d'échantillon n'est pas rempli jusqu'à la jauge. • La conductivité de l'échantillon est inférieure à 2 $\mu\text{S/cm}$. 	<ul style="list-style-type: none"> • Assurez-vous que le gobelet d'échantillon est rempli jusqu'à la jauge. • Assurez-vous que la conductivité de l'échantillon est supérieure à 2 $\mu\text{S/cm}$. • Nettoyez le détecteur d'échantillon. Reportez-vous à la Figure 11 à la page 81. • Si le problème persiste, prenez contact avec le support technique.

11.1 Réalisation d'une vérification de diagnostic

Le menu de diagnostic affiche les informations sur les versions actuelles de l'appareil de mesure et l'option de formatage de la carte mémoire.

1. Appuyez sur **Menu principal>Diagnostics**.
2. Sélectionnez une option.

Option	Description
Espace disque	Affiche l'espace disque pour la mémoire utilisateur et pour la mémoire interne.
Versions de config.	Affiche les versions de configuration des paramètres de l'appareil de mesure.
Versions de méthodes	Affiche les versions de méthodes de l'appareil de mesure.
Formater mémoire	Efface toutes les données de l'appareil de mesure. <i>Remarque</i> : toutes les données de l'appareil de mesure (p. ex. configuration de l'appareil de mesure, ID de site, ID opérateurs, séquences, remarques, modèles) seront perdues si vous choisissez l'option Formater mémoire .

Section 12 Pièces de rechange et accessoires

▲ AVERTISSEMENT



Risque de blessures corporelles. L'utilisation de pièces non approuvées comporte un risque de blessure, d'endommagement de l'appareil ou de panne d'équipement. Les pièces de rechange de cette section sont approuvées par le fabricant.

Remarque : Les numéros de référence de produit et d'article peuvent dépendre des régions de commercialisation. Prenez contact avec le distributeur approprié ou consultez le site web de la société pour connaître les personnes à contacter.

Consultez la section Pièces de rechange et accessoires dans la version complète du manuel.

Tabla de contenidos

- | | |
|---|---|
| 1 Manual del usuario en línea en la página 86 | 7 Funcionamiento estándar en la página 94 |
| 2 Especificaciones en la página 86 | 8 Calibración en la página 98 |
| 3 Información general en la página 87 | 9 Registro de datos en la página 99 |
| 4 Instalación en la página 89 | 10 Mantenimiento en la página 101 |
| 5 Interfaz del usuario y navegación en la página 91 | 11 Solución de problemas en la página 104 |
| 6 Puesta en marcha en la página 93 | 12 Piezas de repuesto y accesorios en la página 106 |

Sección 1 Manual del usuario en línea

Este manual básico de usuario contiene menos información que el manual de usuario completo, que está disponible en la página web del fabricante.

Sección 2 Especificaciones

Las especificaciones están sujetas a cambios sin previo aviso.

Especificación	Datos
Dimensiones (An. x Pr. x Al.)	13,08 x 5,89 x 25,83 cm (5,15 x 2,32 x 10,17 pulg.)
Grado de protección	IP64 con tapones instalados en los puertos de conexión para sondas del medidor o con las sondas conectadas al instrumento.
Peso	1,2 kg (2,7 lb)
Requisitos de alimentación (interna)	Batería recargable de litio, 7.4V, 5.0Ah (5000mAh)
Requisitos de alimentación (externa)	De 100 a 240 V CA, entrada de 50/60 Hz, salida de 12 V a 3A
Temperatura de funcionamiento (descarga)	De 5 a 50 °C (de 41 a 122 °F), hasta un 85% de humedad relativa (sin condensación)
Temperatura de carga	De 5 a 45 °C (de 41 a 113 °F), hasta un 85% de humedad relativa (sin condensación)
Temperatura de almacenamiento	De -20 a 60 °C (de -4 a 140 °F), hasta un 85% de humedad relativa (sin condensación)
Interfaz	Mini puerto USB
Conector de entrada de 5 pines	Dos conectores M12 para sondas IntelliCal
Conexión para fuente de alimentación externa	Conector de 2,5 mm
Ranuras para Chemkeys	4
Memoria de datos	1000 valores medidos (resultado, fecha, hora, ID de localización, ID del usuario)
Almacenamiento de datos	Automático en modo de medición Medida puntual. Manual en modo de medición Medida continua
Corrección de temperatura (para sondas IntelliCal™)	Apagado, automático y manual (dependiendo del parámetro)
Bloqueo de pantalla de medida (para sondas IntelliCal™)	Modos de medición Medida puntual y Medida continua
Clase de protección	III
Certificaciones	CE, UKCA, FCC, ISED, RCM, KC
Garantía	1 año

Sección 3 Información general

El fabricante no será responsable en ningún caso de los daños resultantes de un uso inadecuado del producto o del incumplimiento de las instrucciones del manual. El fabricante se reserva el derecho a modificar este manual y los productos que describen en cualquier momento, sin aviso ni obligación. Las ediciones revisadas se encuentran en la página web del fabricante.

3.1 Información de seguridad

El fabricante no es responsable de ningún daño debido a un mal uso de este producto incluyendo, sin limitación, daños directos, fortuitos o circunstanciales y reclamaciones sobre los daños que no estén recogidos en la legislación vigente. El usuario es el único responsable de identificar los riesgos críticos y de instalar los mecanismos adecuados de protección de los procesos en caso de un posible mal funcionamiento del equipo.

Sírvase leer todo el manual antes de desembalar, instalar o trabajar con este equipo. Ponga atención a todas las advertencias y avisos de peligro. El no hacerlo puede provocar heridas graves al usuario o daños al equipo.



Asegúrese de que la protección proporcionada por el equipo no está dañada. No utilice ni instale este equipo de manera distinta a lo especificado en este manual.

3.1.1 Uso de la información relativa a riesgos

▲ PELIGRO
Indica una situación potencial o de riesgo inminente que, de no evitarse, provocará la muerte o lesiones graves.
▲ ADVERTENCIA
Indica una situación potencial o inminentemente peligrosa que, de no evitarse, podría provocar la muerte o lesiones graves.
▲ PRECAUCIÓN
Indica una situación potencialmente peligrosa que podría provocar una lesión menor o moderada.
AVISO
Indica una situación que, si no se evita, puede provocar daños en el instrumento. Información que requiere especial énfasis.

3.1.2 Etiquetas de precaución

Lea todas las etiquetas y rótulos adheridos al instrumento. En caso contrario, podrían producirse heridas personales o daños en el instrumento. El símbolo que aparezca en el instrumento se comentará en el manual con una declaración de precaución.

	Este símbolo (en caso de estar colocado en el equipo) hace referencia a las instrucciones de uso o a la información de seguridad del manual.
	En Europa, el equipo eléctrico marcado con este símbolo no se debe desechar mediante el servicio de recogida de basura doméstica o pública. Devuelva los equipos viejos o que hayan alcanzado el término de su vida útil al fabricante para su eliminación sin cargo para el usuario.

3.1.3 Certificación

Advertencia sobre notificación de EN 55011/CISPR 11

Este es un producto de clase A. En un entorno doméstico, el producto puede provocar interferencias radioeléctricas, en cuyo caso puede que el usuario deba adoptar las medidas oportunas.

Reglamentación canadiense sobre equipos que provocan interferencia, ICES-003, Clase A

Registros de pruebas de control del fabricante.

Este aparato digital de clase A cumple con todos los requerimientos de las reglamentaciones canadienses para equipos que producen interferencias.

Cet appareil numérique de classe A répond à toutes les exigences de la réglementation canadienne sur les équipements provoquant des interférences.

FCC Parte 15, Límites Clase "A"

Registros de pruebas de control del fabricante. Este dispositivo cumple con la Parte 15 de las normas de la FCC estadounidense. Su operación está sujeta a las siguientes dos condiciones:

1. El equipo no puede causar interferencias perjudiciales.
2. Este equipo debe aceptar cualquier interferencia recibida, incluyendo las interferencias que pueden causar un funcionamiento no deseado.

Los cambios o modificaciones a este equipo que no hayan sido aprobados por la parte responsable podrían anular el permiso del usuario para operar el equipo. Este equipo ha sido probado y encontrado que cumple con los límites para un dispositivo digital Clase A, de acuerdo con la Parte 15 de las Reglas FCC. Estos límites están diseñados para proporcionar una protección razonable contra las interferencias perjudiciales cuando el equipo está operando en un entorno comercial. Este equipo genera, utiliza y puede irradiar energía de radio frecuencia, y si no es instalado y utilizado de acuerdo con el manual de instrucciones, puede causar una interferencia dañina a las radio comunicaciones. La operación de este equipo en un área residencial es probable que produzca interferencias dañinas, en cuyo caso el usuario será requerido para corregir la interferencia bajo su propio cargo. Pueden utilizarse las siguientes técnicas para reducir los problemas de interferencia:

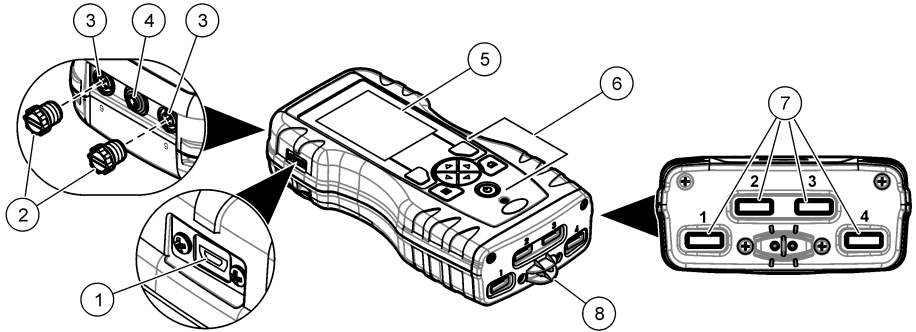
1. Desconecte el equipo de su fuente de alimentación para verificar si éste es o no la fuente de la interferencia.
2. Si el equipo está conectado a la misma toma eléctrica que el dispositivo que experimenta la interferencia, conecte el equipo a otra toma eléctrica.
3. Aleje el equipo del dispositivo que está recibiendo la interferencia.
4. Cambie la posición de la antena del dispositivo que recibe la interferencia.
5. Trate combinaciones de las opciones descritas.

3.2 Descripción general del producto

El analizador paralelo portátil SL1000 mide hasta seis parámetros simultáneamente en aplicaciones de agua potable u otro tipo de agua limpia. El medidor utiliza Chemkeys® y sondas digitales IntelliCAL™ para medir diferentes parámetros en agua. El medidor identifica automáticamente el tipo de Chemkey que está instalada o el tipo de sonda que está conectada al medidor.

El medidor puede utilizar hasta cuatro Chemkeys y hasta dos sondas para realizar mediciones. Consulte la [Figura 1](#).

Figura 1 Descripción general del producto



1 Mini puerto USB	5 Pantalla
2 Tapones para puertos de conexión de sondas	6 Teclado
3 Puertos de conexión de sondas	7 Ranuras para Chemkeys
4 Puerto de alimentación	8 Detector de muestras

3.3 Componentes del producto

Asegúrese de haber recibido todos los componentes. Consulte la documentación suministrada. Si faltan artículos o están dañados, póngase en contacto con el fabricante o el representante de ventas inmediatamente.

Sección 4 Instalación

⚠ ADVERTENCIA



Peligros diversos. Solo el personal cualificado debe realizar las tareas descritas en esta sección del documento.

4.1 Seguridad de la batería de litio

⚠ ADVERTENCIA



Peligro de incendio y explosión. Si se exponen a condiciones abusivas, las pilas de litio pueden calentarse, explotar o inflamarse y causar lesiones graves.

- No utilice la pila si presenta daños visibles.
- No utilice la pila tras producirse un fuerte choque o vibración.
- No exponga la batería al fuego.
- Mantenga la batería a temperaturas inferiores a 60 °C (140 °F).
- Mantenga la pila seca y alejada del agua.
- Evite el contacto entre los terminales de la pila positivo y negativo.
- No permita que personas no autorizadas toquen la pila.
- Deseche la pila de acuerdo con las normativas locales, regionales y nacionales.

- No utilice ni almacene la unidad en un lugar donde reciba luz solar directa, cerca de una fuente de calor o en entornos con una temperatura elevada, como un vehículo cerrado expuesto a la luz solar directa.

4.2 Instalación de la pila

⚠ ADVERTENCIA



Peligro de incendio y explosión. Este equipo cuenta con una pila de litio de alto rendimiento, que es inflamable y puede provocar un incendio o explosión, incluso sin energía. Para mantener el nivel de seguridad que proporciona la carcasa del instrumento, la cubierta debe instalarse y asegurarse con el hardware suministrado.

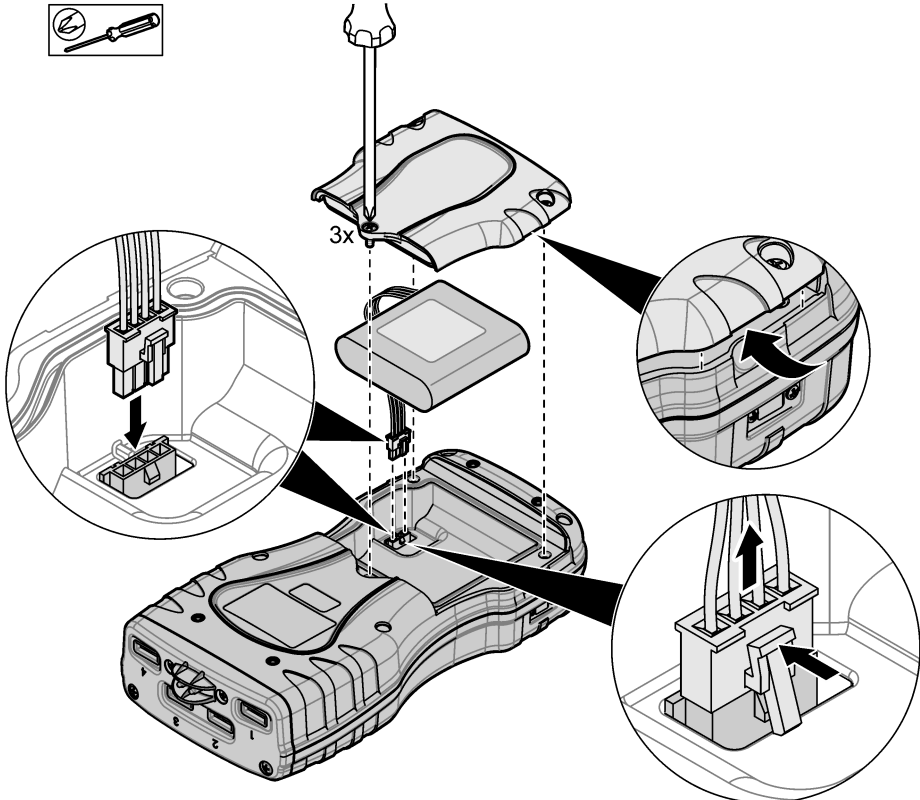
⚠ ADVERTENCIA



Peligro de explosión e incendio. No se permite la sustitución de la pila. Utilice únicamente pilas suministradas por el fabricante del instrumento.

Utilice únicamente la pila recargable de iones de litio suministrada por el fabricante. Consulte la [Figura 2](#) para la instalación o retirada de la pila.

Figura 2 Instalación y retirada de la pila



4.3 Carga de la batería

⚠ ADVERTENCIA



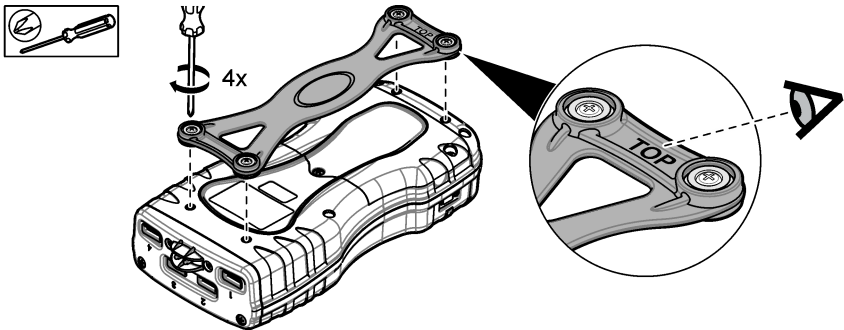
Peligro de incendio. Use solo la fuente de alimentación externa especificada para este instrumento.

1. Conecte la fuente de alimentación externa a una toma de CA.
2. Conecte la fuente de alimentación externa al puerto de alimentación del medidor. Consulte la [Descripción general del producto](#) en la página 88.
 - El instrumento puede estar en funcionamiento mientras se carga la batería.
 - No sustituya la fuente de alimentación externa. Use solamente la fuente de alimentación externa especificada en la lista de piezas y accesorios del instrumento. Consulte la [Piezas de repuesto y accesorios](#) en la página 106.
 - No cargue la batería durante más de 24 horas.

4.4 Instalación de la correa de mano

Instale la correa de mano para sostener el medidor de forma segura. Consulte la [Figura 3](#).

Figura 3 Instalación de la correa de mano

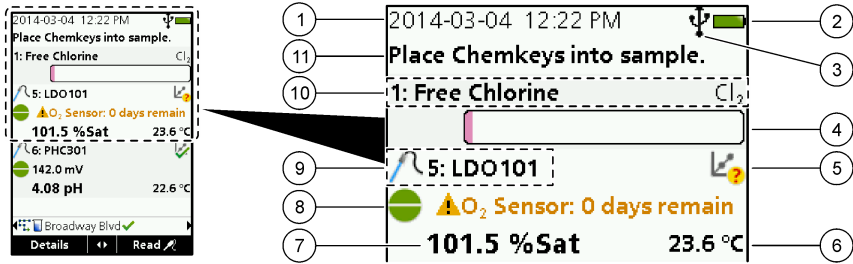


Sección 5 Interfaz del usuario y navegación

5.1 Descripción de la pantalla

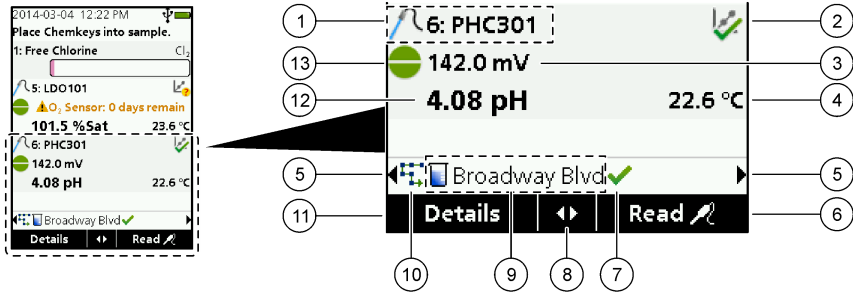
Observe la [Figura 4](#) y la [Figura 5](#) para ver la descripción de la pantalla de medición.

Figura 4 Pantalla de medición (parte superior)



1 Fecha y hora	7 Valor de medición principal (parámetro seleccionado por el usuario)
2 Estado de la batería	8 Icono de estabilidad con icono de advertencia y mensaje de advertencia
3 USB (puerto COM) icono de conexión activa cuando se selecciona el tipo de comunicación	9 Icono de sonda, número de puerto, nombre del parámetro o de la sonda
4 Barra de progreso (medición no completada)	10 Número de ranura, nombre del parámetro y símbolo químico
5 Icono de estado de calibración (calibración incorrecta)	11 Mensaje muy importante para dispositivos (seguido por el mensaje de error y por el mensaje de advertencia)
6 Medición secundaria (parámetro seleccionado por el usuario)	

Figura 5 Pantalla de medición (parte inferior)

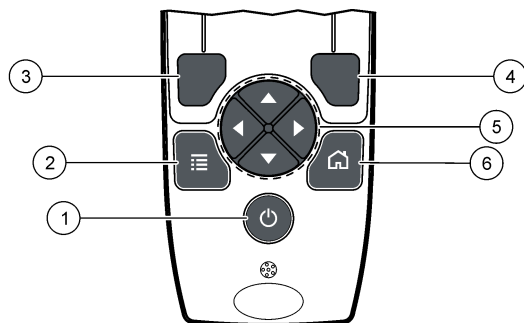


1 Icono de sonda, número de puerto, nombre del parámetro o de la sonda	8 Teclas de flecha activas
2 Icono de estado de calibración (calibración correcta)	9 Icono de ID de localización y nombre del sitio
3 Valor de medición secundaria (parámetro seleccionado por el usuario)	10 Icono de rutas (se muestra cuando Rutas está activado)
4 Valor de medición terciaria (parámetro seleccionado por el usuario)	11 Opciones (contextual: Detalles, Salir, Cancelar, Selección, Deselecc.)
5 Flechas derecha e izquierda para seleccionar la ID de localización correspondiente	12 Valor de medición principal (seleccionado por el usuario)
6 Opciones (contextual: Medir, Seleccionar, Aceptar, Eliminar)	13 Icono de estabilidad
7 Marca de selección: medición en sitio completada	

5.2 Descripción del teclado

Consulte la [Figura 6](#) para ver una descripción del teclado e información sobre la navegación.

Figura 6 Descripción del teclado



1 Tecla ENCENDIDO / APAGADO	4 Tecla de selección DERECHA (contextual): lea muestras, borre, seleccione o confirme opciones y abra submenús.
2 Tecla MENÚ PRINCIPAL: seleccione Verificación, Calibración, Rutas, Configuración, Registro datos, Información, Diagnósticos, ID del usuario e ID de localización.	5 Teclas de navegación ARRIBA, ABAJO, IZQUIERDA, DERECHA ¹ : desplácese por los menús, introduzca números y letras.
3 Tecla de selección IZQUIERDA (contextual): muestre detalles, seleccione/deseleccione, cancele o salga de la pantalla del menú actual para ir a la anterior.	6 INICIO: acceda a la pantalla de medición principal.

Sección 6 Puesta en marcha

6.1 Conexión de la alimentación

Pulse la tecla de encendido para encender o apagar el medidor. Si el medidor no se enciende, asegúrese de que la batería se ha instalado correctamente.

6.2 Cambio del idioma

Seleccione el idioma de la pantalla cuando encienda el medidor por primera vez. Configure el idioma desde el menú **Configuración**.

1. Seleccione **Configuración>Idioma**.
2. Seleccione el idioma aplicable.

6.3 Cambio de la fecha y la hora

Puede configurar el formato de fecha y hora de dos formas:

- Configurar fecha y hora cuando el medidor se enciende por primera vez.
- Configurar fecha y hora desde el menú Fecha y Hora.

1. Seleccione **Configuración>Medidor>Fecha y hora**.
2. Utilice las teclas de flecha para seleccionar el formato de fecha y hora e introduzca la fecha y hora actuales.

¹ ARRIBA, ABAJO: desplácese por las mediciones cuando hay más de cuatro mediciones, DERECHA, IZQUIERDA: desplácese por las ID del usuario o ID de muestra.

La fecha y hora actuales se mostrarán en la pantalla y en los datos de medición registrados.

Sección 7 Funcionamiento estándar

7.1 Usar una ID de usuario

La etiqueta de ID de usuario asocia mediciones con un usuario en concreto. Todos los datos almacenados incluirán este ID de usuario.

Para gestionar con facilidad las IDs de usuario, utilice la aplicación web "tool.htm". Consulte la página web del fabricante para obtener más información.

1. Seleccione **Menú principal>ID del usuario**.
2. Seleccione una opción.

Opción	Descripción
Modo	Active o desactive la función ID del usuario (modo predeterminado).
Seleccionar	Seleccione una ID de una lista. La ID actual se asociará con los datos de la muestra hasta que se seleccione una ID diferente. Utilice las flechas ARRIBA y ABAJO para seleccionar una ID del usuario en la pantalla de inicio. Es posible seleccionar la ID del usuario en la pantalla de medición antes de insertar una Chemkey en la ranura o de acoplar una sonda.
Crear	Introduce un nombre para una ID de usuario nueva.
Eliminar	Elimina la ID de usuario existente.

7.2 Uso de una ID de localización

Seleccione una etiqueta de ID de localización para asociar mediciones con una muestra o ubicación específicas. Si se asocian, los datos guardados incluirán esta ID.

Para gestionar con facilidad las IDs de localización, utilice la aplicación web "tool.htm". Consulte la página web del fabricante para obtener más información.

1. Seleccione **Menú principal>ID de localización**.
2. Seleccione una opción.

Opción	Descripción
Modo	Establezca la función ID de localización en Manual, Automático, Apagado o Rutas. Manual: selecciona una ID de localización manualmente. Automático: las muestras están enumeradas en secuencia para cada medición hasta que se selecciona una ID diferente. Apagado: la función de ID de localización está desactivada (modo predeterminado). Rutas: proporciona un subconjunto ordenado de la lista completa de ID de localización.
Seleccionar	Seleccione una ID de una lista. La ID actual se asociará con los datos de la muestra hasta que se seleccione una ID diferente. Establezca ID de localización>Mostrar en Sí. Utilice las flechas DERECHA o IZQUIERDA para seleccionar la ID de localización actual en la pantalla de medición. Asegúrese de que ID de localización>Mostrar está establecido en Sí y de que haya al menos una Chemkey insertada en la ranura o una sonda acoplada.
Crear	Agrega un nuevo ID de localización.
Eliminar	Borra las ID de localización existentes. Nota: Asegúrese de seleccionar el modo Manual para eliminar una ID de localización.
Mostrar	Muestra la ID de localización en la pantalla de medición. Actívela o desactívela.
Rutas	Ofrece una lista ordenada de las ID de localización. Si se selecciona una ruta, las ID de localización se muestran automáticamente en la pantalla de medición y se registran. Pulse la flecha DERECHA para seleccionar la siguiente ubicación. Utilice la aplicación web "tool.htm" para configurar las rutas. Consulte la página web del fabricante para obtener más información.
Notas	Registra información especial y añade esta información a un registro de eventos.

7.3 Finalización de las mediciones con Chemkey

AVISO

No inicie ninguna medición nueva con Chemkey si hay otras mediciones con Chemkey en curso. Cuando vaya a medir con una Chemkey, coloque el medidor dentro de la muestra una sola vez.

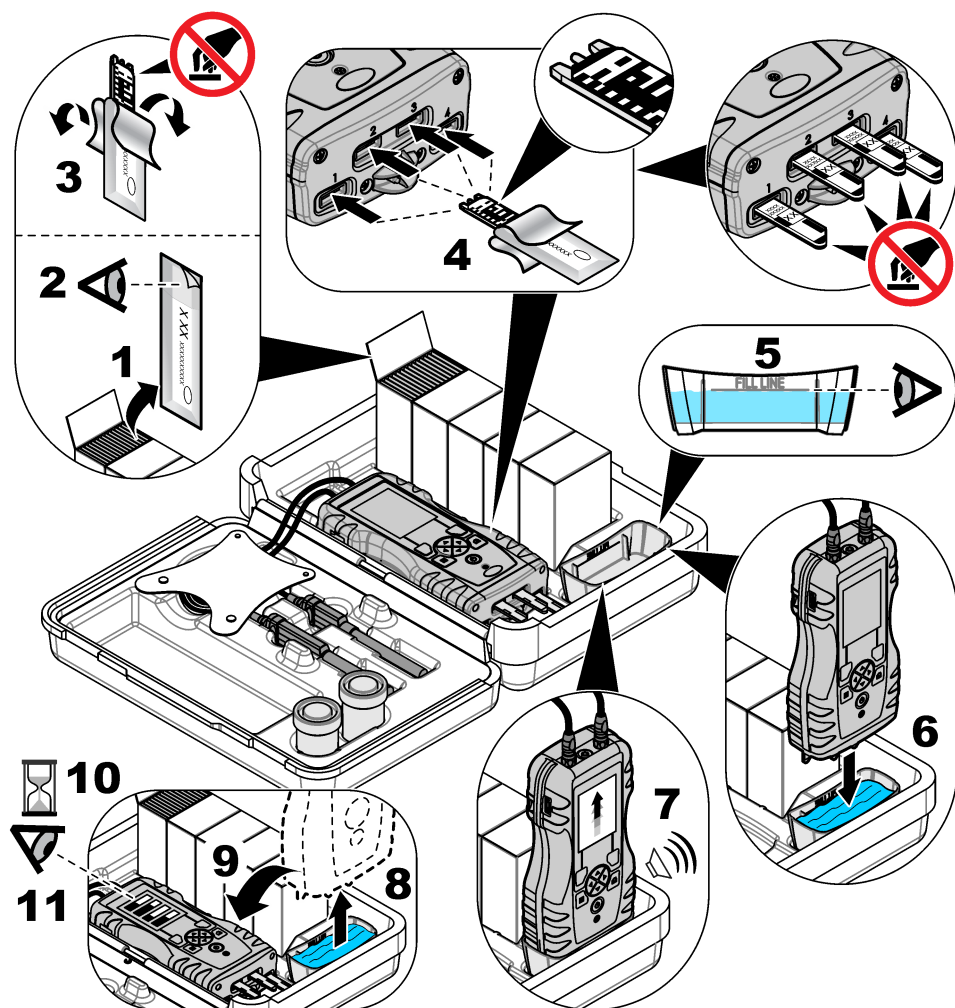
Siga el procedimiento que se describe a continuación para realizar una medición con una Chemkey. Consulte la [Figura 7](#). Puede realizar mediciones con varias sondas simultáneamente. Consulte la [Realización de mediciones con sondas](#) en la página 97.

1. Encienda el medidor.
2. Para una trazabilidad completa, introduzca una ID de localización y una ID del usuario antes de la medición. Consulte [Usar una ID de usuario](#) en la página 94 y [Uso de una ID de localización](#) en la página 94.
3. Deslice la Chemkey correspondiente en un movimiento e insértela en las ranuras 1 a 4. Asegúrese de usar siempre una Chemkey nueva para cada medición. Es importante que la Chemkey esté completamente insertada en la ranura. Cuando una Chemkey esté en una ranura, no la mueva ni la toque.²
4. Vierta la muestra en el vaso de muestras.
5. Llene el vaso de muestras del medidor hasta la línea de llenado.
6. Coloque el medidor en el vaso de muestras.
7. Espere a que se emita una alerta o a que se muestre el dibujo de extracción del medidor (transcurridos de 1 a 2 segundos) y retire inmediatamente el medidor del vaso de muestras. Coloque el medidor de vuelta en su estuche y espere a que finalice la medición. Cada parámetro tiene un tiempo de reacción diferente. La pantalla muestra una barra de progreso con el tiempo que queda hasta completar la medición.
8. Los valores de la medición se mostrarán en la pantalla.

Nota: Si se muestra un mensaje de error, pulse **Detalles** para obtener más información.

² Para obtener una medición de amoníaco libre se requiere una Chemkey de monocloramina y una Chemkey de amoníaco libre.

Figura 7 Medición de muestras con Chemkey



7.4 Conexión de las sondas

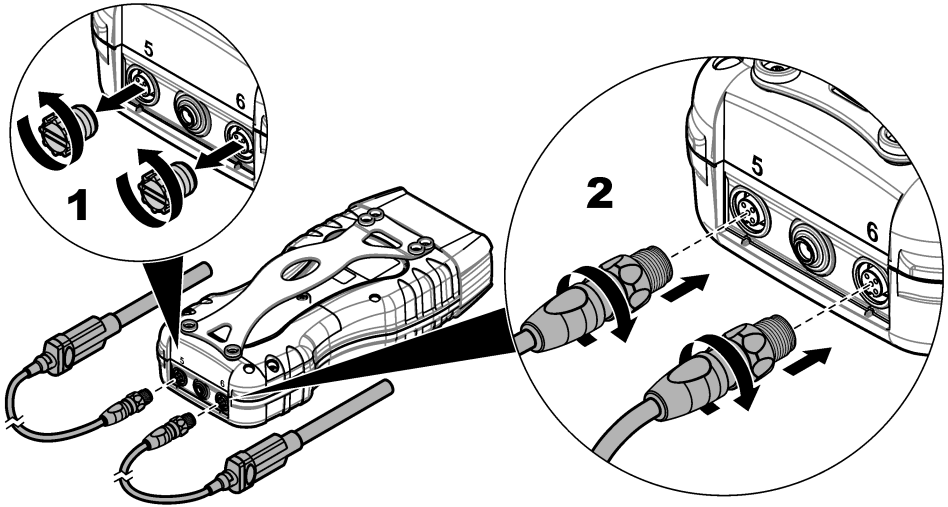
AVISO

No tire los tapones de los puertos de conexión de sondas. Asegúrese de que los tapones del puerto de conexión de sondas están colocados cuando no hay ninguna sonda conectada.

Asegúrese de que la pantalla muestra la fecha y la hora actuales y después conecte la sonda al medidor. Consulte la [Figura 8](#).

Nota: La fecha y hora de las sondas se fija cuando se conecta por primera vez al medidor. Esto hace posible registrar la historia de la sonda y la hora en la que se realizan las mediciones.

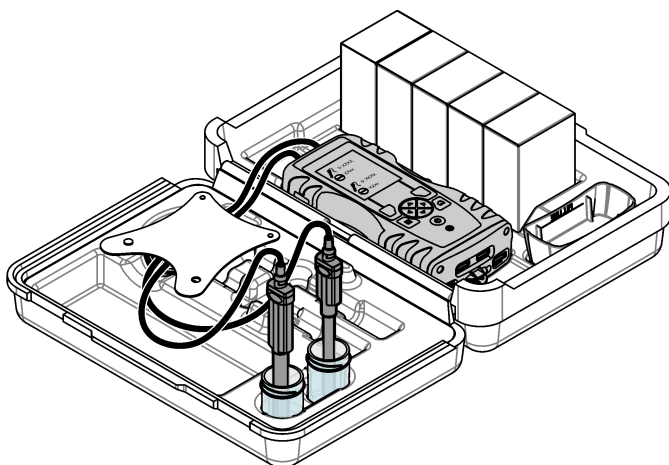
Figura 8 Conexiones de sonda



7.5 Realización de mediciones con sondas

Siga el procedimiento que se expone a continuación para realizar una medición con sondas. Consulte la [Figura 9](#). Es posible realizar mediciones con varias Chemkeys simultáneamente. Consulte la [Finalización de las mediciones con Chemkey](#) en la página 95.

1. Calibre las sondas antes de usarlas por primera vez. Consulte la [Calibre la sonda](#) en la página 98.
Nota: Para que la precisión sea óptima, calibre las sondas todos los días.
2. Ajuste la fecha y la hora del medidor antes de conectar la sonda. Consulte la [Cambio de la fecha y la hora](#) en la página 93.
La sonda debe tener el sello de duración de servicio correcto.
3. Para una trazabilidad completa, introduzca una ID de localización y una ID del usuario antes de la medición. Consulte [Usar una ID de usuario](#) en la página 94 y [Uso de una ID de localización](#) en la página 94.
4. Quite los tapones a los puertos de conexión de sondas e introduzca las sondas. Consulte la [Figura 8](#) en la página 97 para ver cómo introducir las sondas.
Nota: No tire los tapones de los puertos de conexión de sondas. Si no hay ninguna sonda conectada, vuelva a colocar los tapones.
5. Coloque la muestra en los matraces para muestras.
6. Llene el matraz para muestras con la muestra hasta que el sensor esté completamente sumergido en la muestra.
7. Coloque las sondas en los matraces y seleccione **Medir** si el modo de medición es **Medida puntual**. Consulte la documentación de la sonda para obtener más información.
8. Los valores de la medición se mostrarán en la pantalla.




Sección 8 Calibración

⚠ PRECAUCIÓN



Peligro por exposición a productos químicos. Respete los procedimientos de seguridad del laboratorio y utilice el equipo de protección personal adecuado para las sustancias químicas que vaya a manipular. Consulte los protocolos de seguridad en las hojas de datos de seguridad actuales (MSDS/SDS).

8.1 Calibre la sonda

Cada sonda utiliza un tipo diferente de solución de calibración. Procure calibrar las sondas con frecuencia para mantener el máximo nivel de exactitud. El medidor mostrará el estado de la calibración. Si la calibración no es correcta, aparecerá el icono de calibración con el signo de interrogación  hasta que la sonda esté calibrada correctamente. Cuando la calibración sea correcta, aparecerá el icono con la marca de verificación en verde. Para ver instrucciones paso a paso, consulte los documentos que se incluyen con cada sonda. Consulte la página web del fabricante para obtener más información.

1. Conexión de las sondas.
2. Seleccione **Menú principal>Calibrar** para iniciar una calibración.
3. Si hay más de una sonda conectada al instrumento, seleccione la correcta.
Nota: Si solo hay una sonda conectada, este paso no se mostrará.
4. Siga las instrucciones que se muestran en la pantalla para calibrar la sonda.
Nota: Si es una sonda ISE, pulse la flecha DERECHA para pasar al siguiente estándar de calibración según sea necesario. Mida los estándares desde la concentración baja hasta la concentración alta.
5. Si es necesario, realice una verificación. Consulte la [Verificación de la sonda](#) en la página 99.

8.2 Calibración de fábrica

El fabricante recomienda completar una calibración de fábrica completa anualmente para garantizar que el sistema funciona como está previsto. Póngase en contacto con el Centro de servicio técnico de Hach de su localidad.

8.3 Calibración del medidor para una Chemkey de parámetro específico

Cada Chemkey necesita una calibración diferente. Consulte la página web del fabricante para obtener más información.

1. Deslice lentamente las Chemkeys correspondientes en un movimiento e insértelas en las ranuras de la 1 a la 4.
2. Seleccione **Menú principal>Calibrar** para iniciar una calibración.
3. Seleccione la Chemkey correspondiente.
4. Introduzca el valor de ajuste establecido aplicable.
5. Siga las instrucciones que se muestran en la pantalla para calibrar la Chemkey.
6. Si es necesario, realice una verificación. Consulte la [Verificación de una Chemkey](#) en la página 99.

8.4 Verificación de la sonda

1. Seleccione **Menú principal>Verificación** para iniciar una verificación.
2. Seleccione el dispositivo correspondiente.
3. Siga las instrucciones que se muestran en la pantalla para realizar la verificación.

*Nota: Para modificar el estándar de la verificación, pulse **Menú principal>Configuración>Sonda>[Seleccione una sonda]>Opciones verificación>Estándar**.*

8.5 Verificación de una Chemkey

Puede realizar la verificación de una Chemkey de dos formas. Para la verificación, utilice una Chemkey para un parámetro específico o una Chemkey para la verificación del sistema. Consulte la [Piezas de repuesto y accesorios](#) en la página 106.

• Chemkey para un parámetro específico:

1. Deslice lentamente la Chemkey para un parámetro específico en un movimiento e insértela completamente en una de las ranuras de la 1 a la 4.
2. A continuación, seleccione **Menú principal>Verificación** para iniciar la verificación.
3. Complete el proceso por el que le guía el menú.

• Chemkey para verificación del sistema:

1. Seleccione **Menú principal>Verificación** para iniciar una verificación.
2. A continuación, deslice lentamente la Chemkey para la verificación del sistema en un movimiento e insértela en la primera ranura.
3. Complete el proceso por el que le guía el menú.

Sección 9 Registro de datos

El registro de datos muestra todas las mediciones guardadas.


1. Seleccione **Menú principal>Registro datos**.
2. Seleccione una opción.

Opción	Descripción
Todos los registros por fecha	Muestra los resultados de medición de las muestras: el nombre de la sonda, el número de serie de la sonda, el valor, la unidad, la temperatura, la hora, la fecha, la ID del usuario, la ID de localización y la información sobre la calibración. La última medición se muestra en la pantalla. Pulse la flecha IZQUIERDA para ver las mediciones anteriores.
Calib. actual en sonda	Muestra la información de la calibración más reciente. Si el usuario todavía no ha calibrado la sonda, se mostrarán los datos de calibración de fábrica.

Opción	Descripción
Historial calib. en sonda	Muestra una lista de las veces que se ha calibrado la sonda. Seleccione una fecha y una hora para ver el resumen de los datos de calibración.
Borrar registro datos	Borra todos los datos del medidor. Se mantendrán los datos del dispositivo.

9.1 Importación de datos a Excel

⚠ ADVERTENCIA



Peligro de descarga eléctrica. El equipo conectado de forma externa debe someterse a una evaluación estándar de seguridad aplicable.

El medidor guarda el registro de datos en formato XML. La ID de localización, la secuencia, la fecha y la hora, los parámetros, el valor medido, las unidades, la ID del usuario, el número de ranura, el número de lote de la Chemkey y el número de serie del medidor pueden guardarse en una hoja de cálculo Excel.

1. Encienda el medidor.
2. Conecte el medidor con el cable USB al ordenador. El medidor muestra una unidad "Hach Portable Parallel Analysis" (Análisis en paralelo portátil Hach) en el ordenador.
3. Abra la carpeta "DataTemplate" (Plantilla de datos) de la unidad.
4. Abra el archivo "LogTemplate.xltx".
5. Haga clic con el botón derecho en la celda "A2" y seleccione XML>Importar.
6. Seleccione todos los archivos de registro de la carpeta "Data" (Datos), en la unidad "Hach Portable Parallel Analysis" (Análisis en paralelo portátil Hach).
7. Haga clic sobre **Importar**.
El registro de datos se muestra en la hoja de cálculo Excel.
8. Guarde el archivo en el equipo o en una unidad flash USB si es necesario.
9. Retire el medidor del ordenador de forma segura. Haga clic en el icono con la flecha verde "Quitar hardware de forma segura y expulsar el medio" en la barra de tareas.
Nota: Pueden encontrarse algunos iconos en "Mostrar iconos ocultos" en la barra de tareas.
10. Desconecte el cable USB del medidor.

9.2 Visualización de datos en un explorador web

Para ver el registro de datos en un explorador web, siga los pasos que se describen a continuación. La ID de localización, la secuencia, la fecha y la hora, los parámetros, el valor medido, las unidades, la ID del usuario, el número de ranura, el número de lote de la Chemkey y el número de serie del medidor pueden mostrarse en el explorador web seleccionado.

1. Encienda el medidor.
2. Conecte el medidor con el cable USB al ordenador. El medidor muestra una unidad "Hach Portable Parallel Analysis" (Análisis en paralelo portátil Hach) en el ordenador.
3. Abra la carpeta "Data" (Datos) de la unidad.
4. Abra un archivo de registro de datos.
 - Abra el archivo "LogNN.XML" (NN = dígitos del 0 al 9) en cualquier explorador.
 - Desde el explorador web, haga clic en **Archivo>menú Abrir** y busque la carpeta "Data" (Datos).
5. Guarde el archivo en el equipo o en una unidad flash USB si es necesario.

6. Retire el medidor del ordenador de forma segura. Haga clic en el icono con la flecha verde "Quitar hardware de forma segura y expulsar el medio" en la barra de tareas.

Nota: Pueden encontrarse algunos iconos en "Mostrar iconos ocultos" en la barra de tareas.

7. Desconecte el cable USB del medidor.

Sección 10 Mantenimiento

▲ ADVERTENCIA



Peligros diversos. Solo el personal cualificado debe realizar las tareas descritas en esta sección del documento.

▲ PRECAUCIÓN



Peligro por exposición a productos químicos. Respete los procedimientos de seguridad del laboratorio y utilice el equipo de protección personal adecuado para las sustancias químicas que vaya a manipular. Consulte los protocolos de seguridad en las hojas de datos de seguridad actuales (MSDS/SDS).

▲ PRECAUCIÓN



Peligro por exposición a productos químicos. Deshágase de los productos químicos y los residuos de acuerdo con las normativas locales, regionales y nacionales.

10.1 Limpieza de los derrames

▲ PRECAUCIÓN



Peligro por exposición a productos químicos. Deshágase de los productos químicos y los residuos de acuerdo con las normativas locales, regionales y nacionales.

1. Cumpla todos los protocolos de seguridad del centro relativos al control de derrames.
2. Deseche los residuos conforme a las normativas vigentes.

10.2 Limpieza del instrumento

Limpie el exterior del instrumento con un paño húmedo y una solución jabonosa suave y, a continuación, seque el instrumento según sea necesario.

10.3 Limpieza o sustitución de piezas

Algunos errores y advertencias indican la limpieza de las ranuras de las Chemkeys, de las ventanas ópticas, de la ventana de códigos de barras y del detector de muestras o la sustitución de las bandejas. Utilice alcohol isopropílico para limpiar las piezas. Utilice agua y un detergente suave para limpiar el protector de luz. Asegúrese de mover el aplicador con punta de algodón en una sola dirección. Consulte la [Figura 10](#) para eliminar la cubierta de acceso a la óptica, el protector de luz y las bandejas. Consulte la [Figura 11](#) y la [Figura 12](#) para obtener más información sobre el procedimiento de limpieza.

Elementos necesarios: aplicador con punta de algodón, alcohol isopropílico, agua y un detergente suave

Figura 10 Retirada y recolocación de piezas

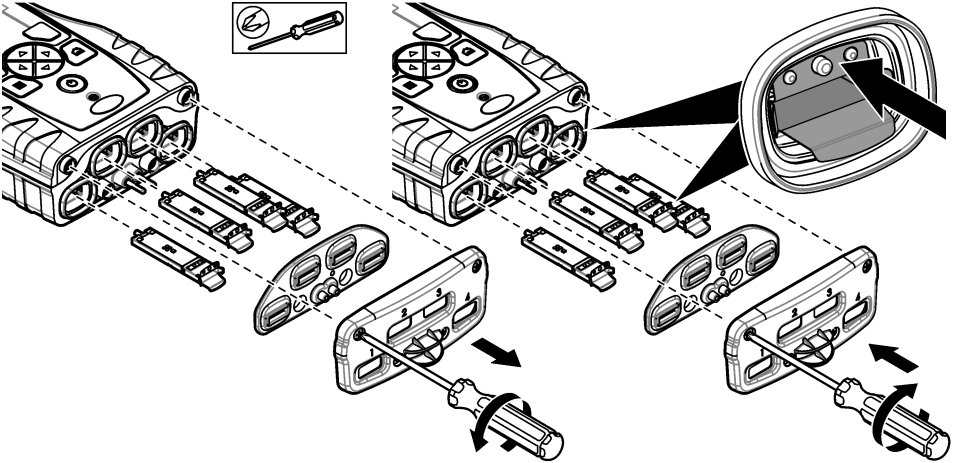
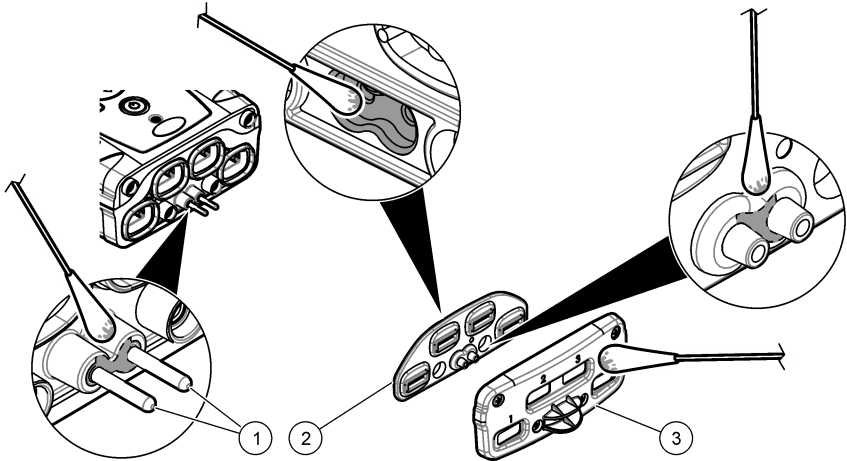
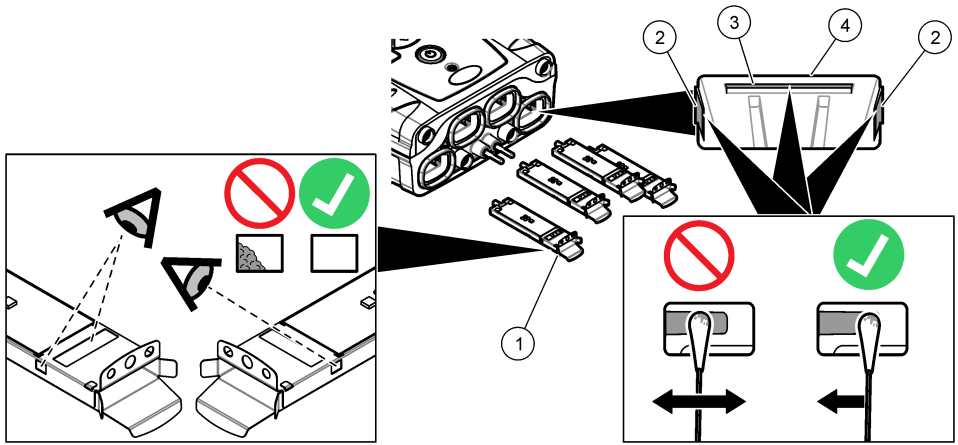


Figura 11 Limpieza del detector de muestras, el protector de luz y la cubierta de acceso



1 Detector de muestras	3 Cubierta de acceso a la óptica
2 Protector de luz	

Figura 12 Limpieza de bandejas y ranuras para Chemkey



1 Bandeja	3 Ventana de códigos de barras
2 Ventana óptica	4 Ranura para Chemkey

10.4 Carga o sustitución de la batería

Sustituya la batería cuando el nivel de la batería sea bajo. Cuando la batería no sea capaz de conservar la carga de energía, sustitúyala. Utilice solo la batería especificada, suministrada por el fabricante. Consulte [Instalación de la pila](#) en la página 90 y [Piezas de repuesto y accesorios](#) en la página 106.

10.5 Preparación para el envío

AVISO

Daño potencial al instrumento. Drene toda el agua de la unidad antes del envío para evitar que las temperaturas bajo cero causen daños en el equipo.

Póngase en contacto con el servicio de asistencia técnica para obtener instrucciones antes de enviar la unidad al fabricante.

- Limpie y descontamine el instrumento antes del envío.
- Envíe el instrumento con la batería instalada en el medidor, pero asegúrese de que la batería no está acoplada al conector.
- Desconecte las sondas y extraiga las Chemkeys antes del envío.
- Envíe el instrumento en el paquete original o en un paquete alternativo seguro.

Sección 11 Solución de problemas

Error/advertencia	Posible causa	Solución
Error lectura código barras Vuelva a insertar Chemkey(s)	La Chemkey no funciona correctamente. La Chemkey no se ha instalado correctamente.	<ul style="list-style-type: none"> • Vuelva a colocar la Chemkey en la ranura. • Utilice una nueva Chemkey. • Limpie la ventana de códigos de barras. Consulte Figura 12 en la página 103. • Si el problema persiste, póngase en contacto con el servicio de asistencia técnica.
Error aspirado de muestra.	La Chemkey no funciona correctamente. La Chemkey no está completamente insertada en la ranura.	Utilice una nueva Chemkey y asegúrese de insertarla bien en la ranura. Si el problema persiste, póngase en contacto con el servicio de asistencia técnica.
Chemkey con fugas. Pruebe otra.		
Chemkey ha caducado.	El tiempo de espera de la Chemkey ha caducado.	
Error de medición (1–4)	Se ha producido un error de medición en la ranura especificada.	
Parámetro no compatible	El parámetro no está disponible en el software instalado del instrumento.	Actualice el software del instrumento. Busque "SL1000" en www.hach.com . Vaya a la sección Downloads>Software/Firmware (Descargas>Software/Firmware) y siga las instrucciones de la página web.
Chemkey usada, sustituir	El Chemkey ya ha sido utilizado o existe agua en la ranura.	Utilice una nueva Chemkey. Si el problema persiste, seque la ranura y el instrumento e inténtelo de nuevo. Si el problema persiste, póngase en contacto con el servicio de asistencia técnica.
Bandeja con fugas. Sustituya bandeja.	Se ha producido un problema con la bandeja medida.	Sustituya la bandeja. Consulte Figura 10 en la página 102. Si el problema persiste, póngase en contacto con el servicio de asistencia técnica.
Error calentador. Sustituya bandeja	La bandeja no funciona correctamente.	
Retire de la muestra.	El medidor se introdujo en la muestra antes de que el medidor estuviera listo.	Espere hasta que el medidor esté listo para colocarlo en la muestra.
Muestra retirada pronto		Introduzca otra Chemkey en la ranura. Espere hasta que el medidor esté listo para colocarlo en la muestra.
Demás. tiempo en muestra	Las Chemkeys se dejaron en la muestra demasiado tiempo. Se ha producido un error de medición.	Retire las Chemkeys inmediatamente cuando se le indique.
	El área de la patilla del detector muestras está sucia si se muestra una advertencia cuando el medidor no está sumergido en la muestra.	Limpie el área de la patilla del detector de muestras. Consulte Limpieza o sustitución de piezas en la página 101. Si el problema persiste, póngase en contacto con el servicio de asistencia técnica.
Encima de rango	La concentración es superior al límite superior del método actual.	Diluya la muestra y vuelva a realizar la medición.
Debajo de rango	La concentración es inferior al límite inferior del método actual.	—

Error/advertencia	Posible causa	Solución
Bandeja demasiado fría.	El medidor puede estar demasiado frío para calentar la bandeja o el calefactor no funciona.	Lleve el medidor a un lugar con una temperatura ambiente mayor y vuelva a realizar la medición. Sustituya la bandeja.
Bandeja demasiado caliente.	El medidor está demasiado caliente para realizar una medición correcta.	Enfríe el medidor o muévelo a un lugar más frío.
Demasiada luz ambiental. Inserte Chemkey en entorno más oscuro.	Existe demasiada luz ambiental para leer el código de barras.	Lleve el medidor a un lugar más oscuro y coloque la Chemkey en la ranura de nuevo.
Poca luz. Limpie ranura de Chemkey.	El Chemkey no funciona correctamente. La Chemkey no se ha instalado correctamente.	<ul style="list-style-type: none"> • Coloque la Chemkey en una ranura con un movimiento. • Utilice una nueva Chemkey. • Limpie la ranura de la Chemkey. Consulte Figura 12 en la página 103. • Si el problema persiste, póngase en contacto con el servicio de asistencia técnica.
El instrumento necesita mantenimiento.	Fallo del módulo.	Utilice los módulos que funcionan correctamente. Póngase en contacto con el servicio de asistencia técnica para reparar el módulo defectuoso.
Muestra no encontrada.	<ul style="list-style-type: none"> • El vaso para muestras no está lleno hasta la línea de llenado. • La conductividad de la muestra es inferior a 2 $\mu\text{S/cm}$. 	<ul style="list-style-type: none"> • Asegúrese de que el vaso para muestras está lleno hasta la línea de llenado. • Asegúrese de que la conductividad de la muestra es superior a 2 $\mu\text{S/cm}$. • Limpie el detector de muestras. Consulte Figura 11 en la página 102. • Si el problema persiste, póngase en contacto con el servicio de asistencia técnica.

11.1 Realización de una comprobación diagnóstica

El menú diagnóstico muestra la información sobre las versiones actuales del medidor y la opción para formatear la tarjeta de memoria.

1. Pulse **Menú principal>Diagnósticos**.
2. Seleccione una opción.

Opción	Descripción
Espacio en disco	Muestra el espacio en disco de la memoria del usuario y de la memoria interna.
Versiones config.	Muestra las diferentes configuraciones del medidor.
Versiones métodos	Muestra los diferentes métodos del medidor.
Formatear Memoria	Borra todos los datos del medidor. <i>Nota: Todos los datos del medidor (p. ej., configuración del medidor, ID de localización, ID del usuario, rutas, notas, plantillas, etc.) se perderán cuando se haya completado Formatear Memoria.</i>

Sección 12 Piezas de repuesto y accesorios

⚠ ADVERTENCIA



Peligro de lesión personal. El uso de piezas no aprobadas puede causar lesiones personales, daños al instrumento o un mal funcionamiento del equipo. Las piezas de repuesto que aparecen en esta sección están aprobadas por el fabricante.

Nota: Las referencias de los productos pueden variar para algunas regiones de venta. Póngase en contacto con el distribuidor correspondiente o visite la página web de la empresa para obtener la información de contacto.

Consulte las Piezas de repuesto y accesorios en la versión extendida del manual.

Índice

- | | |
|---|---|
| 1 Manual do utilizador online na página 107 | 7 Operação padrão na página 115 |
| 2 Especificações na página 107 | 8 Calibração na página 119 |
| 3 Informação geral na página 108 | 9 Registo de dados na página 120 |
| 4 Instalação na página 110 | 10 Manutenção na página 122 |
| 5 Interface do utilizador e navegação na página 112 | 11 Resolução de problemas na página 125 |
| 6 Arranque na página 114 | 12 Acessórios e peças de substituição na página 126 |

Secção 1 Manual do utilizador online

Este manual básico do utilizador contém menos informações do que o manual do utilizador, que está disponível no website do fabricante.

Secção 2 Especificações

As especificações podem ser alteradas sem aviso prévio.

Especificação	Detalhes
Dimensões (L x P x A)	13.08 x 5.89 x 25.83 cm (5.15 x 2.32 x 10.17 pol.)
Classificação de protecção	IP64, com as tampas instaladas nas entradas para os conectores da sonda do medidor ou com as sondas ligadas ao instrumento
Peso	1.2 kg (2.7 lb)
Requisitos de alimentação (interna)	Bateria de iões de lítio recarregável, 7.4V, 5.0Ah (5000mAh)
Requisitos de alimentação (externa)	100 V–240 VCA, 50/60 Hz (entrada), 12 V a 3 A (saída)
Temperatura de funcionamento (descarregando)	5 a 50 °C (41 a 122 °F), máximo de 85% de humidade relativa (sem condensação)
Temperatura de carregamento	5 a 45 °C (41 a 113 °F), máximo de 85% de humidade relativa (sem condensação)
Temperatura de armazenamento	–20 a 60 °C (–4 a 140 °F), máximo de 85% de humidade relativa (sem condensação)
Interface	Entrada Mini USB
Conector de entrada de 5 pinos	Dois conectores M12 para sondas IntelliCal
Ligação para fonte de alimentação externa	Conector de 2,5 mm
Ranuras para Chemkey	4
Memória de dados	1000 valores medidos (resultado, data, hora, ID de local, ID do utilizador)
Armazenamento de dados	Automático no modo de medição Press to Read (Premir para ler). Manual no modo de medição Continuous (Contínuo)
Correcção da temperatura (para sondas IntelliCal™)	Desligado, automático e manual (consoante os parâmetros)
Bloqueio da apresentação de medição (para sondas IntelliCal™)	Modos de medição Press to Read (Premir para ler) e Continuous (Contínuo)
Classe de protecção	III
Certificações	CE, UKCA, FCC, ISED, RCM, KC
Garantia	1 ano

Secção 3 Informação geral

Em caso algum o fabricante será responsável por danos resultantes de qualquer utilização inadequada do produto ou do incumprimento das instruções deste manual. O fabricante reserva-se o direito de, a qualquer altura, efetuar alterações neste manual ou no produto nele descrito, sem necessidade, ou obrigação, de o comunicar. As edições revistas encontram-se disponíveis no website do fabricante.

3.1 Informações de segurança

O fabricante não é responsável por quaisquer danos resultantes da aplicação incorrecta ou utilização indevida deste produto, incluindo, mas não limitado a, danos directos, incidentais e consequenciais, não se responsabilizando por tais danos ao abrigo da lei aplicável. O utilizador é o único responsável pela identificação de riscos de aplicação críticos e pela instalação de mecanismos adequados para a protecção dos processos na eventualidade de uma avaria do equipamento.

Leia este manual até ao fim antes de desembalar, programar ou utilizar o aparelho. Dê atenção a todos os avisos relativos a perigos e precauções. A não leitura destas instruções pode resultar em lesões graves para o utilizador ou em danos para o equipamento.

Certifique-se de que a protecção oferecida por este equipamento não é comprometida. Não o utilize ou instale senão da forma especificada neste manual.

3.1.1 Uso da informação de perigo

▲ PERIGO
Indica uma situação de perigo potencial ou eminente que, se não for evitada, resultará em morte ou lesões graves.



▲ ADVERTÊNCIA
Indica uma situação de perigo potencial ou eminente que, se não for evitada, poderá resultar em morte ou lesões graves.

▲ AVISO
Indica uma situação de perigo potencial, que pode resultar em lesões ligeiras a moderadas.

ATENÇÃO
Indica uma situação que, se não for evitada, pode causar danos no equipamento. Informação que requer ênfase especial.

3.1.2 Avisos de precaução

Leia todos os avisos e etiquetas do equipamento. A sua não observação pode resultar em lesões para as pessoas ou em danos para o aparelho. Um símbolo no aparelho é referenciado no manual com uma frase de precaução.

	Quando encontrar este símbolo no equipamento, isto significa que deverá consultar o manual de instruções para obter informações sobre o funcionamento do equipamento e/ou de segurança.
	O equipamento eléctrico marcado com este símbolo não pode ser eliminado nos sistemas europeus de recolha de lixo doméstico e público. Devolva os equipamentos antigos ou próximos do final da sua vida útil ao fabricante para que os mesmos sejam eliminados sem custos para o utilizador.

3.1.3 Certificação

Aviso de notificação EN 55011/CISPR 11

Trata-se de um produto de Classe A. Em ambientes domésticos, este produto poderá provocar interferências. Se for o caso, poderá ser necessário tomar medidas adequadas.

Regulamento Canadano de Equipamentos Causadores de Interferências, ICES-003, Classe A:

Os registos de suporte dos testes estão na posse do fabricante.

Este aparelho de Classe A obedece a todos os requisitos dos Regulamentos Canadanos de Equipamentos Causadores de Interferências.

Cet appareil numérique de classe A répond à toutes les exigences de la réglementation canadienne sur les équipements provoquant des interférences.

Parte 15 das Normas FCC, Limites da Classe “A”

Os registos de suporte dos testes estão na posse do fabricante. Este aparelho está conforme com a Parte 15 das Normas FCC. O funcionamento está sujeito às duas condições seguintes:

1. O equipamento não provoca interferências nocivas.
2. O equipamento deve aceitar qualquer interferência recebida, incluindo interferências suscetíveis de determinar um funcionamento indesejado.

Alterações ou modificações efetuadas nesta unidade que não sejam expressamente aprovadas pela entidade responsável pela conformidade podem retirar ao utilizador a legitimidade de usar o aparelho. Este equipamento foi testado e considerado em conformidade relativamente aos limites para os dispositivos digitais de Classe A, de acordo com a Parte 15 das Normas FCC. Estes limites estão desenhados para fornecer proteção razoável contra interferências prejudiciais quando o equipamento for operado num ambiente comercial. Este equipamento gera, utiliza e pode irradiar energia de radiofrequência e, se não for instalado e utilizado em conformidade com o manual de instruções, poderá provocar interferências nocivas com comunicações por rádio. É provável que a utilização deste equipamento numa zona residencial provoque interferências nocivas. Neste caso, o utilizador deverá corrigi-las pelos seus próprios meios. As técnicas a seguir podem ser utilizadas para diminuir os problemas de interferência:

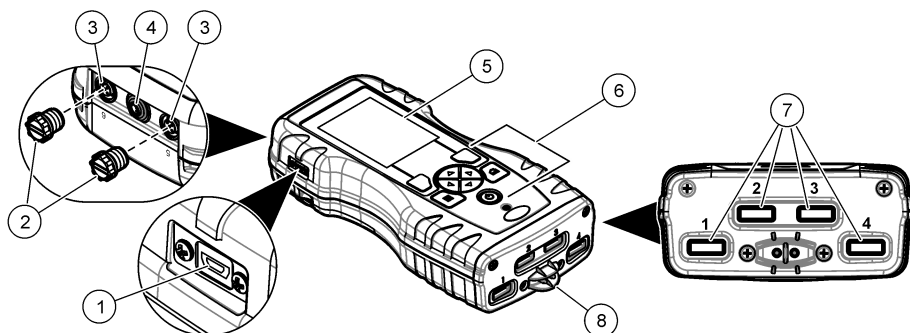
1. Desligue o aparelho da corrente e verifique se esta é ou não a fonte de interferência.
2. Se o aparelho estiver ligado à mesma tomada que o dispositivo que apresenta interferências, ligue-o a uma tomada diferente.
3. Afaste o equipamento do dispositivo que está a receber a interferência.
4. Reposicione a antena de receção do dispositivo que está a receber a interferência.
5. Experimente combinações das sugestões anteriores.

3.2 Vista geral do produto

O analisador paralelo portátil SL1000 permite efectuar a medição simultânea de, no máximo, seis parâmetros de água potável e outras aplicações de água limpa. O medidor utiliza Chemkeys® e sondas IntelliCAL™ digitais para medir diferentes parâmetros da água. O medidor identifica automaticamente o tipo de Chemkey instalada ou o tipo de sonda ligada.

O medidor pode utilizar, no máximo, quatro Chemkeys e duas sondas para medição. Consulte a [Figura 1](#).

Figura 1 Vista geral do produto



1 Entrada Mini USB	5 Visor
2 Tampas das entradas dos conectores de sonda	6 Teclado
3 Entradas para ligação de sondas	7 Ranhuras para Chemkey
4 Entrada de alimentação	8 Detector de amostra

3.3 Componentes do produto

Certifique-se de que recebeu todos os componentes. Consulte a documentação fornecida. Se algum dos itens estiver em falta ou apresentar danos, contacte imediatamente o fabricante ou um representante de vendas.

Secção 4 Instalação

⚠ ADVERTÊNCIA



Vários perigos. Apenas pessoal qualificado deverá realizar as tarefas descritas nesta secção do documento.

4.1 Segurança relativa à bateria de lítio

⚠ ADVERTÊNCIA



Perigo de incêndio e explosão. Caso sejam expostas a condições abusivas, as pilhas de lítio poderão ficar quentes, explodir ou entrar em combustão e causar lesões graves.

- Não utilize a pilha se existirem danos visíveis.
- Não utilize a pilha após a ocorrência de vibrações ou de choques fortes.
- Não exponha a pilha a fogo.
- Mantenha a pilha a temperaturas inferiores a 60 °C (140 °F).
- Mantenha a pilha seca e afastada de água.
- Evite o contato entre os terminais positivo e negativo da pilha.
- Não permita que pessoas não autorizadas toquem na pilha.
- Elimine a pilha de acordo com os regulamentos locais, regionais e nacionais.
- Não utilize nem armazene o equipamento sob a luz direta do sol, nem junto a uma fonte de calor ou em ambientes de alta temperatura, como um veículo fechado exposto à luz direta do sol.

4.2 Instalação da bateria

⚠ ADVERTÊNCIA



Perigo de incêndio e explosão. Este equipamento contém uma pilha de lítio de alta densidade de energia que pode entrar em combustão e causar um incêndio ou uma explosão, mesmo sem corrente. Para manter a segurança providenciada pela estrutura do equipamento, as respectivas tampas têm de ser instaladas e protegidas utilizando o hardware fornecido.



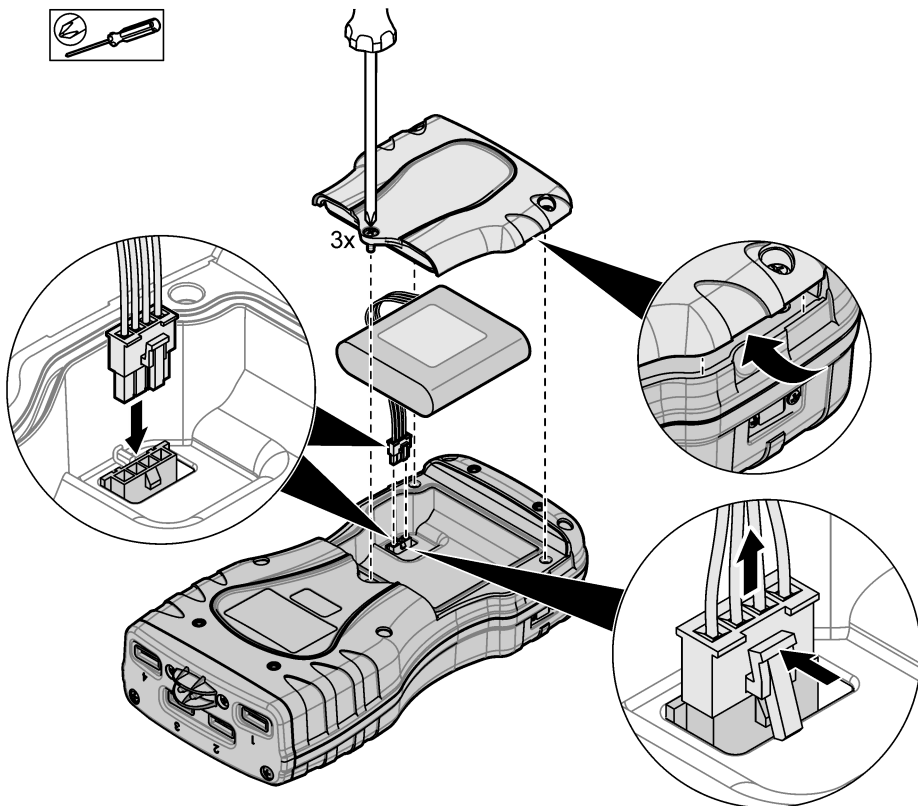
⚠ ADVERTÊNCIA



Perigo de explosão e incêndio. Não é permitido substituir as pilhas. Utilize apenas pilhas fornecidas pelo fabricante do equipamento.

Utilize apenas a bateria de íões de lítio recarregável fornecida pelo fabricante. Consulte [Figura 2](#) para obter informações sobre a instalação ou remoção da bateria.

Figura 2 Instalação e remoção da bateria



4.3 Carregar a bateria

▲ ADVERTÊNCIA



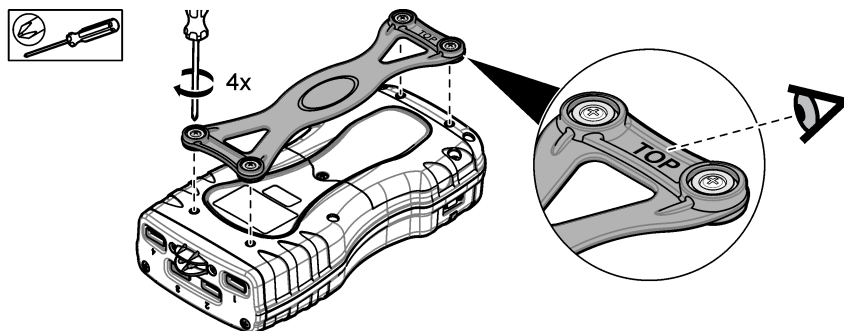
Perigo de incêndio. Use apenas a fonte de alimentação externa especificada para este equipamento.

1. Ligue a fonte de alimentação externa a uma tomada de alimentação CA.
2. Ligue a fonte de alimentação externa à entrada de alimentação do medidor. Consulte a [Vista geral do produto](#) na página 109.
 - O instrumento pode ser utilizado durante o carregamento da bateria.
 - Não é permitido substituir a fonte de alimentação externa. Utilize apenas a fonte de alimentação externa especificada na lista de peças e acessórios para o instrumento. Consulte a [Acessórios e peças de substituição](#) na página 126.
 - Não deixe a bateria em carregamento durante mais de 24 horas.

4.4 Instalar a correia

Instale a correia para segurar o medidor com segurança. Consulte [Figura 3](#).

Figura 3 Instalação da correia

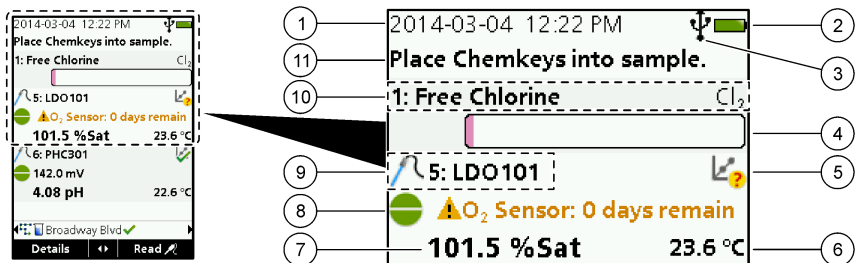


Secção 5 Interface do utilizador e navegação

5.1 Descrição do ecrã

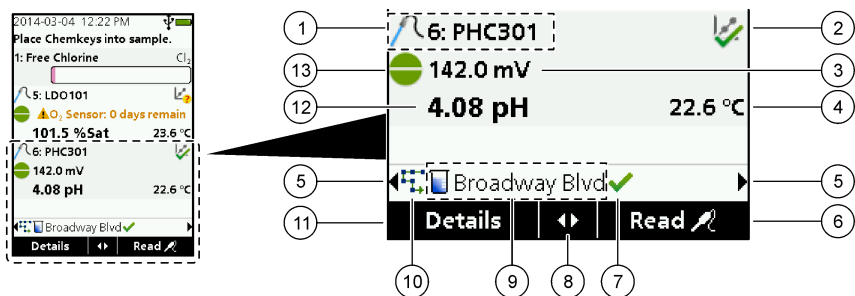
Consulte [Figura 4](#) e [Figura 5](#) para obter uma descrição do ecrã de medição.

Figura 4 Ecrã de medição (secção superior)



1 Data e hora	7 Valor principal de medição (parâmetro seleccionado pelo utilizador)
2 Estado da bateria	8 Ícone de estabilidade com ícone de aviso e mensagem de aviso
3 Ícone de ligação por USB (porta COM) activa com classe de comunicação seleccionada	9 Ícone da sonda, número da entrada, nome do parâmetro ou da sonda
4 Barra de progresso (medição não concluída)	10 Número da ranhura, nome do parâmetro e símbolo químico
5 Ícone de estado de calibração (calibração inadequada)	11 Mensagem extremamente importante para dispositivos (seguida de erro e, depois, mensagem de aviso)
6 Medição secundária (parâmetro seleccionado pelo utilizador)	

Figura 5 Ecrã de medição (secção inferior)

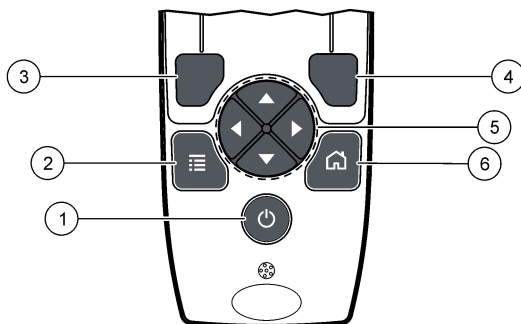


1 Ícone da sonda, número da entrada, nome do parâmetro ou da sonda	8 Teclas de seta activas
2 Ícone de estado de calibração (calibração adequada)	9 Ícone da ID de local e nome do local
3 Valor de medição secundário (parâmetro seleccionado pelo utilizador)	10 Ícone de rotas (apresentado quando as rotas se encontram activas)
4 Valor de medição terciário (parâmetro seleccionado pelo utilizador)	11 Opções (contextuais: detalhes, sair, cancelar, seleccionar, cancelar selecção)
5 Setas direita e esquerda para selecção da ID de local aplicável	12 Valor de medição principal (seleccionado pelo utilizador)
6 Opções (contextuais: ler, seleccionar, OK, eliminar)	13 Ícone de estabilidade
7 Marca de verificação: medição concluída no local	

5.2 Descrição do teclado

Consulte a [Figura 6](#) para obter informações de navegação e uma descrição do teclado.

Figura 6 Descrição do teclado



1 Tecla de alimentação	4 Tecla de selecção da direita (contextual): leitura de amostras, eliminar, seleccionar ou confirmar opções, abrir submenus
2 Tecla do menu principal: seleccionar verificação, calibração, rotas, definições, registo de dados, informação, diagnóstico, ID de operador e ID de local	5 Teclas de navegação para cima, para baixo, para a direita, para a esquerda ¹ : percorra os menus, introduza números e letras.
3 Tecla de selecção da esquerda (contextual): detalhes, seleccionar/cancelar selecção, cancelar ou sair do ecrã do menu actual e voltar ao anterior	6 HOME (Início): ir para o ecrã de medição principal.

Secção 6 Arranque

6.1 Ligar a alimentação

Pressione a tecla de **alimentação** para ligar ou desligar o medidor. Se o medidor não ligar, verifique se a bateria está bem colocada.

6.2 Alteração do idioma

Selecione o idioma do visor quando o medidor é ligado pela primeira vez. Altere o idioma a partir do menu **Settings** (Definições).

1. Prima **Settings>Language** (Definições>Idioma).
2. Selecione o idioma aplicável.

6.3 Alterar a data e a hora

Existem duas opções para definir o formato da data e da hora:

- Definir a data e a hora quando o instrumento é ligado pela primeira vez.
- Definir a data e hora a partir do menu Data e hora.

1. Selecione **Settings>Meter>Date & Time** (Definições>Medidor>Data e hora).
2. Utilizando as teclas de seta, selecione o formato da data e da hora e, em seguida, introduza as informações de data e hora actuais.

¹ Para CIMA, para BAIXO: percorra as medições quando existirem mais de quatro valores; Para a DIREITA, para a ESQUERDA: percorra as IDs de operador e de amostras.

A data e hora actuais serão apresentadas no visor e nos dados de medição registados.

Secção 7 Operação padrão

7.1 Utilizar uma identificação de operador

A identificação do operador associa leituras a um determinado operador. Todos os dados armazenados incluirão a identificação de operador.

Para facilitar a gestão das IDs de operador, utilize a aplicação Web "tool.htm". Consulte o Web site do fabricante para obter mais informações.

1. Selecione **Main Menu>Operator ID** (Menu principal>ID de operador).
2. Selecione uma opção.

Opção	Descrição
Mode (Modo)	Definir a função de ID de operador para on (ligada) ou off (desligada) (predefinição).
Select (Selecionar)	Selecionar uma ID a partir da lista. A ID seleccionada será associada aos dados da amostra até ser seleccionada uma ID diferente. Utilize as setas para cima e para baixo para seleccionar uma ID de operador no ecrã inicial. É possível seleccionar a ID de operador no ecrã de medição antes de colocar uma Chemkey na ranhura ou ligar uma sonda.
Create (Criar)	Introduzir um nome para a nova ID do operador.
Delete (Eliminar)	Apagar uma ID do operador existente.

7.2 Utilizar uma ID de local

Selecione a etiqueta da ID de local para associar medições a uma determinada amostra ou localização. Se atribuída, os dados armazenados incluirão essa identificação.

Para facilitar a gestão das IDs de local, utilize a aplicação Web "tool.htm". Consulte o Web site do fabricante para obter mais informações.

1. Selecione **Main Menu>Site ID** (Menu principal>ID de local).
2. Selecione uma opção.

Opção	Descrição
Mode (Modo)	Definir a função de ID de local para manual, auto, off (desligada) ou routes (rotas). Manual —Selecione uma ID de local manualmente. Auto —As amostras são numeradas sequencialmente para cada medição até ser seleccionada uma ID diferente. Off (Desligada) —A função de ID de local é desligada (predefinição). Routes (Rotas) —Fornece um subconjunto ordenado da lista de IDs completa do local.
Select (Selecionar)	Selecionar uma identificação a partir da lista. A ID actual será associada aos dados da amostra até ser seleccionada uma identificação diferente. Defina Site ID>Show (ID de local>Mostrar) para Yes (Sim). Utilize a seta para a direita ou para a esquerda para seleccionar a ID de local actual no ecrã de medição. Certifique-se de que Site ID>Show (ID de local>Mostrar) está definido para Yes (Sim) e que existe pelo menos uma Chemkey na ranhura ou uma sonda ligada.
Create (Criar)	Adicionar uma nova ID de local.
Delete (Eliminar)	Apagar a(s) ID(s) de local existentes. Nota: <i>Certifique-se de que selecciona o modo Manual para eliminar uma ID de local.</i>
Show (Mostrar)	Apresentar a ID de local no ecrã de medição. Defina para on (ligado) ou off (desligado).

Opção	Descrição
Routes (Rotas)	Fornecer uma lista ordenada de IDs de local. Se for seleccionada uma rota, os IDs de local são automaticamente apresentados no ecrã de medição e são registados. Prima a seta para a direita para seleccionar a localização seguinte. Utilize a aplicação Web "tool.htm" para definir as rotas. Consulte o website do fabricante para obter informações adicionais.
Notes (Notas)	Registe as informações especiais e adicione-as a um registo de evento.

7.3 Realizar medições com Chemkey

ATENÇÃO

Inicie uma nova medição com Chemkey apenas quando as restantes medições tiverem sido concluídas. Para realizar uma medição com Chemkey, coloque o medidor apenas uma vez na amostra.

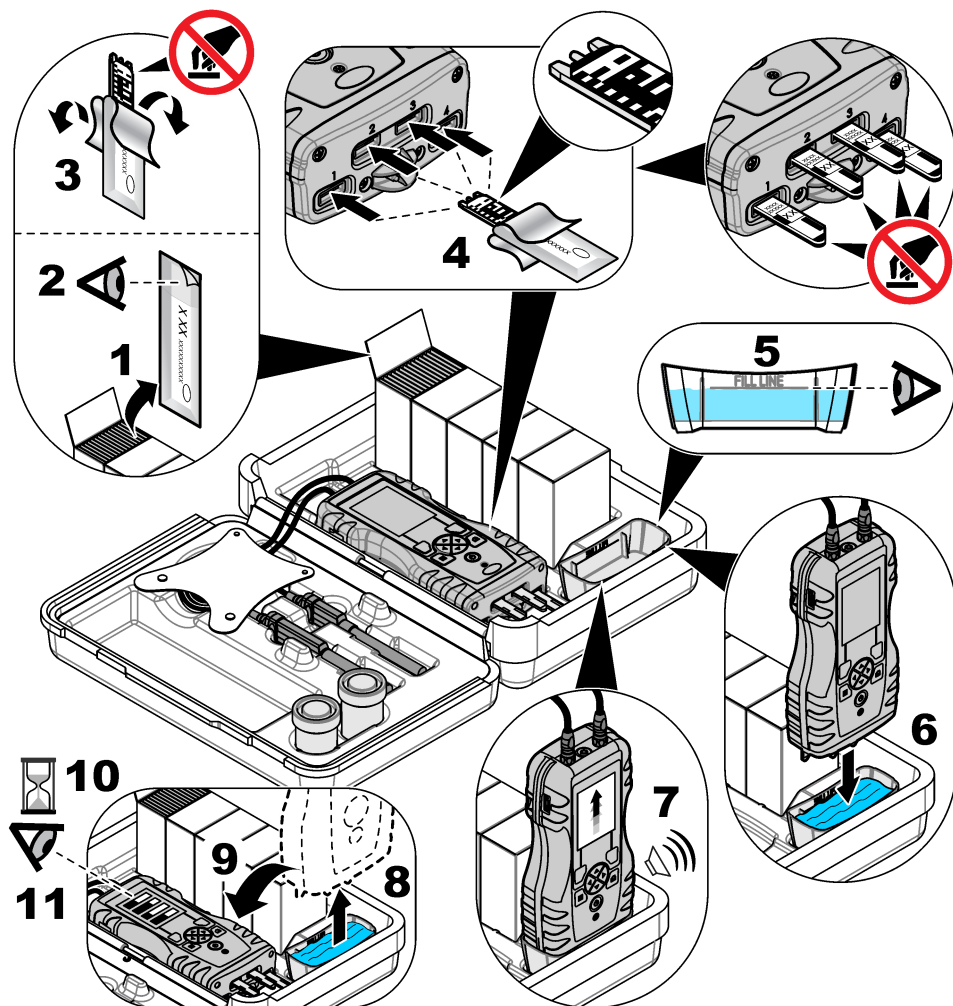
Para efectuar uma medição utilizando a(s) Chemkey(s), realize o procedimento seguinte. Consulte a [Figura 7](#). É possível efectuar várias medições com sonda em simultâneo. Consulte a [Realizar medições com sondas](#) na página 118.

1. Ligue o medidor.
2. Se for necessária rastreabilidade total, introduza uma ID de local e uma ID de operador antes de proceder à medição. Consulte o [Utilizar uma identificação de operador](#) na página 115 e [Utilizar uma ID de local](#) na página 115.
3. Coloque a(s) Chemkey(s) aplicável(eis), num movimento único, na(s) ranhura(s) 1 a 4. Certifique-se de que utiliza sempre uma Chemkey nova em cada medição. É importante inserir totalmente a Chemkey na ranhura. Quando introduzida numa ranhura, não mova nem toque na Chemkey.²
4. Lave o recipiente para amostras com a amostra.
5. Coloque a amostra no respectivo recipiente do medidor, enchendo até à linha de limite (Fill line).
6. Coloque o medidor dentro do respectivo recipiente para amostras.
7. Aguarde até ouvir o alerta sonoro e/ou até surgir a animação de remoção do medidor (no espaço de 1 a 2 segundos); em seguida, remova imediatamente o medidor do recipiente para amostras. Volte a colocar o medidor no estojo e aguarde até a medição ser concluída. Os parâmetros têm tempos de reacção diferentes. No visor será apresentada uma barra de progresso representativa do tempo restante para terminar a medição.
8. Os valores de medição são apresentados no visor.

Nota: Quando forem apresentados erros, seleccione **Details** (Detalhes) para obter mais informações.

² Para obter uma medição de amónia livre, necessita de uma Chemkey para monoclóramina e uma Chemkey para amónia livre.

Figura 7 Medição de amostras com Chemkey



7.4 Ligar uma sonda

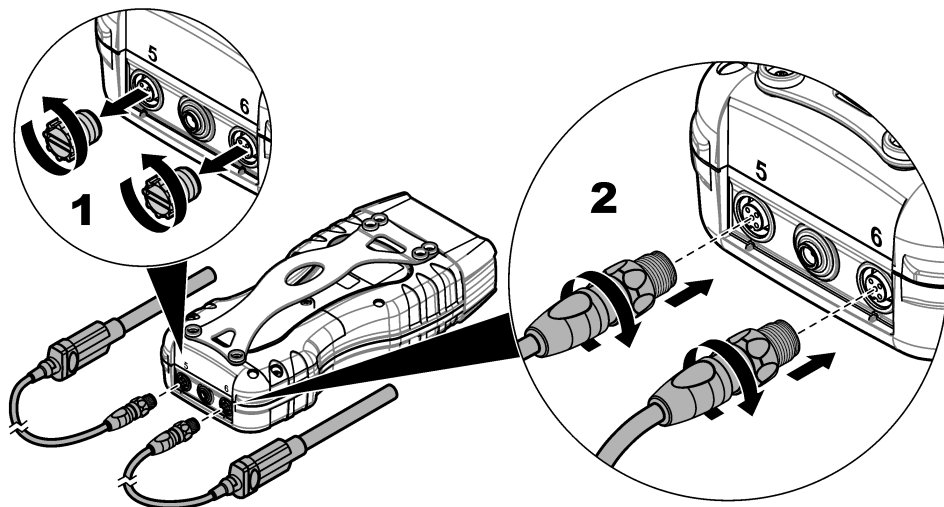
ATENÇÃO

Guarde as tampas das entradas dos conectores de sonda. Certifique-se de que volta a colocar as tampas das entradas dos conectores de sonda quando não existirem sondas ligadas.

Certifique-se de que o visor apresenta a data e hora actuais e, em seguida, ligue a sonda ao medidor. Consulte a [Figura 8](#).

Nota: A marca de hora de uma sonda é definida quando a sonda é ligada ao medidor pela primeira vez. Esta marca de hora permite a gravação do histórico da sonda e da hora de gravação das medições.

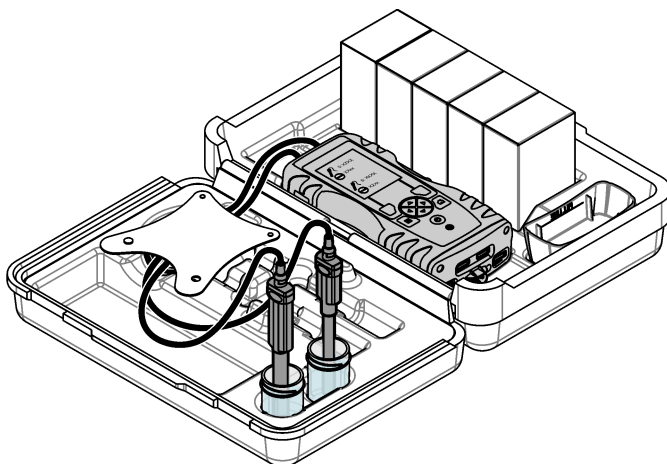
Figura 8 Ligação de sondas



7.5 Realizar medições com sondas

Siga o procedimento abaixo indicado para realizar uma medição com sonda(s). Consulte a [Figura 9](#). É possível efectuar várias medições com Chemkey em simultâneo. Consulte a [Realizar medições com Chemkey](#) na página 116.

1. calibre as sondas antes da utilização inicial. Consulte [Calibrar a sonda](#) na página 119.
Nota: Para obter a melhor precisão, calibre as sondas diariamente.
2. Defina a data e hora no medidor antes de fixar a sonda. Consulte a [Alterar a data e a hora](#) na página 114.
A sonda deve possuir a marca de hora adequada para identificação da respectiva vida útil.
3. Se for necessária rastreabilidade total, introduza uma ID de local e uma ID de operador antes de proceder à medição. Consulte o [Utilizar uma identificação de operador](#) na página 115 e [Utilizar uma ID de local](#) na página 115.
4. Retire as tampas das entradas dos conectores de sonda e insira a(s) sonda(s). Consulte [Figura 8](#) na página 118 para obter informações sobre a ligação de sondas.
Nota: Guarde as tampas das entradas dos conectores de sonda. Volte a colocar as tampas das entradas dos conectores de sonda no respectivo local quando não existirem sondas ligadas.
5. Lave os frascos para amostras com amostra.
6. Encha o frasco com amostra até cobrir totalmente o sensor.
7. Coloque a(s) sonda(s) nos frascos com amostra e prima **Read** (Ler) se o modo de medição estiver definido como **Press to Read** (Premir para ler). Consulte a documentação da sonda para obter mais informações.
8. Os valores de medição são apresentados no visor.




Secção 8 Calibração

⚠ AVISO



Perigo de exposição a produtos químicos. Siga os procedimentos de segurança do laboratório e utilize todo o equipamento de protecção pessoal adequado aos produtos químicos manuseados. Consulte as fichas de dados sobre segurança de materiais (MSDS/SDS) para protocolos de segurança.

8.1 Calibrar a sonda

Cada sonda utiliza um tipo de calibração diferente. Certifique-se de que calibra as sondas com frequência para manter o nível mais elevado de precisão. O medidor apresentará o estado da calibração. Se a calibração não for adequada, o ícone de calibração com um ponto de interrogação  é apresentado até a sonda ser correctamente calibrada. Quando a calibração for adequada, é apresentado o ícone de calibração com o visto verde. Para obter instruções pormenorizadas, consulte os documentos fornecidos com cada sonda. Consulte o Web site do fabricante para obter informações adicionais.

1. Ligue uma sonda.
2. Seleccione **Main Menu>Calibrate** (Menu principal>Calibrar) para iniciar uma calibração.
3. Seleccione a sonda aplicável se existir mais do que uma ligada ao instrumento.
Nota: Se existir apenas uma sonda ligada, este passo não é apresentado.
4. Siga as instruções apresentadas no visor para calibrar a sonda.
Nota: Para uma sonda ISE, prima a seta para a DIREITA para aceder ao padrão de calibração seguinte, conforme necessário. Meça os padrões de concentração baixa para concentração alta.
5. Se necessário, efectue uma verificação. Consulte a [Verificação da sonda](#) na página 120.

8.2 Calibração de origem

O fabricante recomenda a realização de uma calibração de origem completa anualmente para garantir que o sistema funciona conforme esperado. Contacte o centro de assistência da Hach mais próximo de si.

8.3 Calibrar o medidor para um parâmetro de Chemkey específico

As configurações de calibração variam consoante o tipo de Chemkey utilizado. Consulte o Web site do fabricante para obter informações adicionais.

1. Coloque a(s) Chemkey(s) relevantes, com cuidado e num movimento único, na(s) ranhura(s) 1 a 4.
2. Selecione **Main Menu>Calibrate** (Menu principal>Calibrar) para iniciar uma calibração.
3. Selecione a Chemkey aplicável.
4. Introduza o valor de ajuste padrão aplicável.
5. Siga as instruções apresentadas no visor para calibrar a Chemkey.
6. Se necessário, efectue uma verificação. Consulte a [Verificação Chemkey](#) na página 120.

8.4 Verificação da sonda

1. Selecione **Main Menu>Verification** (Menu principal>Verificação) para iniciar uma verificação.
2. Selecione o dispositivo aplicável.
3. Siga as instruções apresentadas no visor para realizar a verificação.

*Nota: Para alterar o padrão utilizado para verificação, prima **Main Menu>Settings>Probe>[Select Probe]>Verification Options>Standard** (Menu Principal>Definições>Sonda>[Seleccionar Sonda]>Opções de verificação>Padrão).*

8.5 Verificação Chemkey

Existem duas formas de realizar uma verificação Chemkey. Para efectuar a verificação, utilize uma Chemkey específica de parâmetros ou uma Chemkey de verificação do sistema. Consulte a [Acessórios e peças de substituição](#) na página 126.

• Chemkey específica de parâmetros:

1. Coloque a Chemkey específica de parâmetros, com cuidado e num movimento único, na(s) ranhura(s) 1 a 4.
2. Em seguida, selecione **Main Menu>Verification** (Menu principal>Verificação) para iniciar a verificação.
3. Conclua o processo guiado por menu.

• Chemkey de verificação do sistema:

1. Selecione **Main Menu>Verification** (Menu principal>Verificação) para iniciar uma verificação.
2. Em seguida, coloque a Chemkey de verificação do sistema, com cuidado e num movimento único, na primeira ranhura.
3. Conclua o processo guiado por menu.

Secção 9 Registo de dados

O registo de dados apresenta todas as medições guardadas.

1. Selecione **Main Menu>Data Log** (Menu principal>Registo de dados).
2. Selecione uma opção.

Opção	Descrição
All Logs by Date (Todos os registos por data)	Apresenta os resultados de medição de amostras: nome da sonda, número de série da sonda, valor, unidade, temperatura, hora, data, notas, ID de operador, ID de local e detalhes de calibração. A última medição é apresentada no ecrã. Prima a tecla esquerda para ver as medições anteriores.

Opção	Descrição
Current Cal on Probe (Calibração actual da sonda)	Apresenta os detalhes da calibração mais recente. Se a sonda não tiver sido calibrada pelo utilizador, são apresentados os dados de calibração de origem.
Cal History on Probe (Histórico de calibração da sonda)	Apresenta uma lista dos momentos em que a sonda foi calibrada. Seleccione uma data e hora para visualizar um resumo dos dados de calibração.
Delete Data Log (Eliminar registo de dados)	Apaga todos os dados do medidor de uma vez. Os dados do dispositivo serão mantidos.

9.1 Importar dados para um ficheiro Excel

⚠ ADVERTÊNCIA	
	Perigo de choque eléctrico. O equipamento ligado externamente deve ser avaliado segundo as normas nacionais aplicáveis.

O medidor guarda o registo de dados em formato XML. É possível guardar as seguintes informações numa folha de cálculo Excel: ID de local, sequência, data e hora, parâmetro, valor medido, unidades, ID de operador, n.º da ranhura, código de lote Chemkey e número de série do medidor.

1. Ligue o medidor.
2. Ligue o medidor ao computador utilizando o cabo USB. O medidor é identificado no computador como uma unidade: "Hach Portable Parallel Analysis".
3. Abra a pasta "DataTemplate" da unidade.
4. Abra o ficheiro "LogTemplate.xltx".
5. Clique com o botão direito do rato na célula "A2" e seleccione XML>Import (XML>Importar).
6. Seleccione todos os ficheiros de registo da pasta "Data" da unidade "Hach Portable Parallel Analysis".
7. Clique em **Import** (Importar).
O registo de dados é apresentado na folha de cálculo Excel.
8. Se necessário, guarde o ficheiro no computador ou numa pen USB.
9. Remova o medidor do computador com segurança. Clique no ícone com a seta verde "Remove hardware com segurança e ejectar suporte de dados" na barra de tarefas.
Nota: Alguns ícones podem ser encontrados seleccionando "Mostrar ícones escondidos" na barra de tarefas.
10. Desligue o cabo USB do medidor.

9.2 Visualizar os dados num navegador Web

Para visualizar o registo de dados num navegador Web, efectue os seguintes passos. As seguintes informações são apresentadas no navegador Web seleccionado: ID de local, sequência, data e hora, parâmetro, valor medido, unidades, ID de operador, n.º da ranhura, código de lote Chemkey e número de série do medidor.

1. Ligue o medidor.
2. Ligue o medidor ao computador utilizando o cabo USB. O medidor é identificado no computador como uma unidade: "Hach Portable Parallel Analysis".
3. Abra a pasta "Data" da unidade.
4. Abra um ficheiro de registo de dados.
 - Abra o ficheiro "LogNN.XML" (NN = números de 0 a 9) em qualquer navegador.
 - No navegador Web, clique em **File>Open menu** (Ficheiro>Abrir menu) e navegue até à pasta "Data".
5. Se necessário, guarde o ficheiro no computador ou numa pen USB.

6. Remova o medidor do computador com segurança. Clique no ícone com a seta verde "Remover hardware com segurança e ejectar suporte de dados" na barra de tarefas.

Nota: Alguns ícones podem ser encontrados seleccionando "Mostrar ícones escondidos" na barra de tarefas.

7. Desligue o cabo USB do medidor.

Secção 10 Manutenção

⚠ ADVERTÊNCIA



Vários perigos. Apenas pessoal qualificado deverá realizar as tarefas descritas nesta secção do documento.

⚠ AVISO



Perigo de exposição a produtos químicos. Siga os procedimentos de segurança do laboratório e utilize todo o equipamento de protecção pessoal adequado aos produtos químicos manuseados. Consulte as fichas de dados sobre segurança de materiais (MSDS/SDS) para protocolos de segurança.

⚠ AVISO



Perigo de exposição a produtos químicos. Elimine os produtos químicos e os resíduos de acordo com os regulamentos locais, regionais e nacionais.

10.1 Limpar derrames

⚠ AVISO



Perigo de exposição a produtos químicos. Elimine os produtos químicos e os resíduos de acordo com os regulamentos locais, regionais e nacionais.

1. Cumpra todos os protocolos de segurança das instalações para controlo de líquidos derramados.
2. Deite o lixo fora de acordo com as regulamentações aplicáveis.

10.2 Limpar o equipamento

Limpe a parte exterior do equipamento com um pano humedecido e uma solução de detergente suave e depois seque o equipamento, conforme necessário.

10.3 Limpar ou substituir peças

Quando são apresentados determinados erros e avisos, é necessário proceder à limpeza das ranhuras para Chemkey, das janelas ópticas, da janela de código de barras, do detector de amostra ou substituir os tabuleiros. Utilize álcool isopropílico para limpar as peças. Utilize água e um detergente suave para limpar a protecção da luz. Certifique-se de que desloca o aplicador com ponta de algodão numa única direcção. Consulte [Figura 10](#) para obter informações sobre a remoção da tampa de acesso aos elementos ópticos, da protecção da luz e dos tabuleiros. Consulte [Figura 11](#) e [Figura 12](#) para obter informações detalhadas sobre o procedimento de limpeza.

Itens necessários: Aplicador com ponta de algodão, álcool isopropílico, água e um detergente suave

Figura 10 Remoção e reinstalação de peças

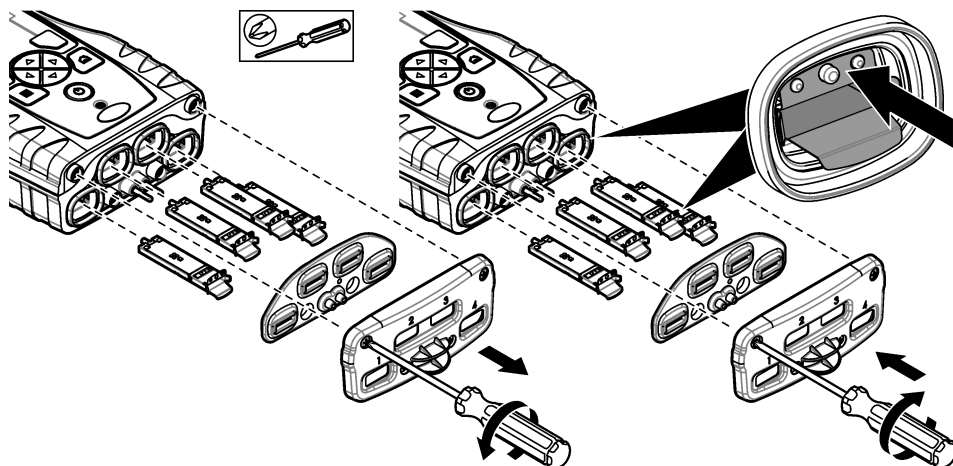
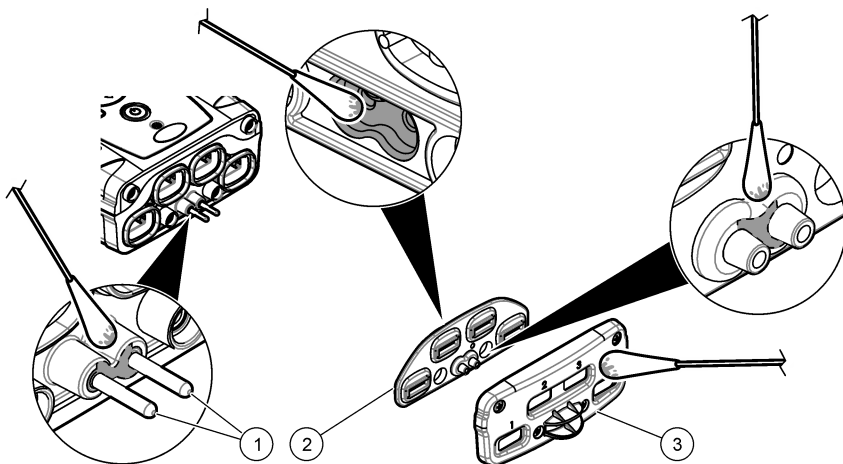
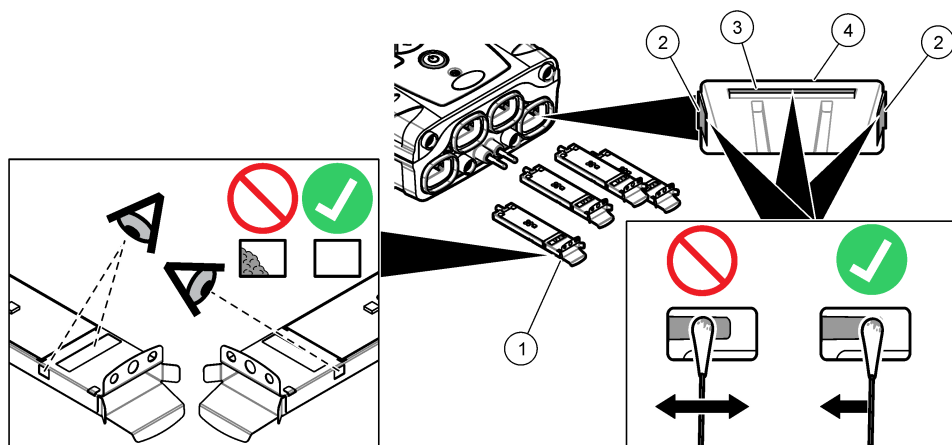


Figura 11 Limpeza do detetor de amostra, da protecção da luz e da tampa de acesso



1	Detector de amostra	3	Tampa de acesso aos elementos ópticos
2	Protecção da luz		

Figura 12 Limpeza dos tabuleiros e das ranhuras para Chemkey



1 Tabuleiro	3 Janela de código de barras
2 Janela óptica	4 Ranhura para Chemkey

10.4 Carregar ou substituir a bateria

Carregue a bateria quando esta estiver fraca. Substitua a bateria quando a mesma deixar de ter capacidade de retenção da carga. Utilize apenas a bateria especificada fornecida pelo fabricante. Consulte o [Instalação da bateria](#) na página 111 e [Acessórios e peças de substituição](#) na página 126.

10.5 Preparar para envio

ATENÇÃO

Possíveis danos no instrumento. Drene toda a água da unidade antes de proceder ao envio da mesma, com vista a evitar danos causados por temperaturas de congelação.

Contacte o apoio técnico para obter instruções antes do envio para o fabricante.

- Efectue a limpeza e descontaminação do instrumento antes de o enviar.
- Envie o instrumento com a bateria instalada no medidor, mas certifique-se de que esta não se encontra ligada ao conector.
- Desligue as sondas e remova as Chemkeys antes de enviar.
- Envie o instrumento na embalagem original ou em outra embalagem que proporcione protecção adequada.

Secção 11 Resolução de problemas

Erro/Aviso	Causa possível	Solução
Erro de leitura do código de barras Voltar a inserir a(s) Chemkey(s)	A Chemkey não funciona correctamente. A Chemkey não está correctamente instalada.	<ul style="list-style-type: none"> • Volte a colocar a Chemkey na respectiva ranhura. • Utilize uma Chemkey nova. • Limpe a janela de código de barras. Consulte a Figura 12 na página 124. • Se o problema persistir, contacte o apoio técnico.
Erro de aspir. da amostra.	A Chemkey não funciona correctamente. A Chemkey não está completamente inserida na ranhura.	Utilize uma Chemkey nova e certifique-se de que a insere totalmente na ranhura. Se o problema persistir, contacte o apoio técnico.
Chemkey com fugas. Tente outra		
Chemkey expirada	A vida útil da Chemkey chegou ao fim.	
Erro de medição (1–4)	Ocorreu um erro de medição na ranhura especificada.	
Parâmetro não suportado	O parâmetro não está disponível no software do instrumento instalado.	Actualize o software do instrumento. Procure "SL1000" em www.hach.com . Acesse a Transferências>Secção de software/firmware e siga as instruções existentes no website.
Chemkey usada - subs.	A Chemkey já foi usada ou existe água na ranhura.	Utilize uma Chemkey nova. Se o problema persistir, seque a ranhura e o instrumento e volte a tentar. Se o problema persistir, contacte o apoio técnico.
Tabuleiro com fugas. Substitua o tabuleiro.	Ocorreu um problema com o tabuleiro medido.	Substitua o tabuleiro. Consulte a Figura 10 na página 123. Se o problema persistir, contacte o apoio técnico.
Erro do aquecedor Substitua o tabuleiro	O tabuleiro não funciona correctamente.	
Remover da amostra.	O medidor foi colocado na amostra antes de estar pronto.	Aguarde até o medidor estar pronto para o colocar na amostra.
Amostra rem. muito cedo		Insira outra Chemkey na ranhura. Aguarde até o medidor estar pronto para o colocar na amostra.
Muito tempo na amostra	As Chemkeys ficaram demasiado tempo na amostra. Ocorreu um erro de medição.	Remova as Chemkeys imediatamente após tal ser solicitado.
	Se o aviso for apresentado quando o medidor não estiver colocado na amostra, significa que a área dos pinos do detector de amostra está suja.	Limpe a área dos pinos do detector de amostra. Consulte a Limpar ou substituir peças na página 122. Se o problema persistir, contacte o apoio técnico.
Acima da gama	A concentração está acima do limite superior do método actual.	Dilua a amostra e repita a medição.
Abaixo da gama	A concentração está abaixo do limite inferior do método actual.	—
Tabuleiro demasiado frio.	O medidor poderá estar demasiado frio para aquecer o tabuleiro ou o aquecedor não funciona.	Leve o medidor para um local onde a temperatura ambiente seja mais elevada e volte a efectuar a medição. Substitua o tabuleiro.
Tabuleiro demasiado quente.	O medidor está demasiado quente e não é possível realizar uma medição correcta.	Certifique-se de que arrefece o aquecedor ou o leva para uma zona com temperatura ambiente inferior.

Erro/Aviso	Causa possível	Solução
Demasiada luz ambiente. Insira a Chemkey num ambiente mais escuro	A intensidade da luz ambiente é demasiado elevada, impossibilitando a leitura do código de barras.	Leve o medidor para um local mais escuro e volte a colocar a Chemkey na ranhura.
Luz fraca Limpe a ranhura da Chemkey.	A Chemkey não funciona correctamente. A Chemkey não está correctamente instalada.	<ul style="list-style-type: none"> • Coloque a Chemkey na ranhura, num movimento único. • Utilize uma Chemkey nova. • Limpe a ranhura da Chemkey. Consulte a Figura 12 na página 124. • Se o problema persistir, contacte o apoio técnico.
O instrumento necessita de manutenção.	Avaria do módulo.	Utilize os módulos que funcionam correctamente. Contacte o apoio técnico para reparar o módulo avariado.
Amostra não encontrada.	<ul style="list-style-type: none"> • O recipiente para amostras não está cheio até à linha de limite. • A condutividade da amostra é inferior a 2 $\mu\text{S/cm}$. 	<ul style="list-style-type: none"> • Certifique-se de que o recipiente para amostras está cheio até à linha de limite. • Certifique-se de que a condutividade da amostra é superior a 2 $\mu\text{S/cm}$. • Limpe o detector de amostra. Consulte a Figura 11 na página 123. • Se o problema persistir, contacte o apoio técnico.

11.1 Efectuar uma verificação de diagnóstico

O menu de diagnóstico apresenta as informações relativas às versões actuais do medidor e a opção de formatar o cartão de memória.

1. Selecciona **Main Menu>Diagnostics** (Menu principal>Diagnóstico).
2. Selecciona uma opção.

Opção	Descrição
Disk Space (Espaço no disco)	Apresenta o espaço no disco da memória do utilizador e na memória interna.
Config Versions (Versões de configuração)	Apresenta as versões de configuração das definições do medidor.
Method Versions (Versões de método)	Apresenta as versões de método do medidor.
Format Memory (Formatar memória)	Apagar todos os dados do medidor. Nota: Todos os dados do medidor (incluindo, entre outros, configuração do medidor, IDs de local, IDs de operador, rotas, notas, modelos) serão eliminados quando a opção Format Memory (Formatar memória) for concluída.

Secção 12 Acessórios e peças de substituição

⚠ ADVERTÊNCIA



Perigo de danos pessoais. A utilização de peças não aprovadas poderá causar ferimentos, danos ou avarias no equipamento. As peças de substituição mencionadas nesta secção foram aprovadas pelo fabricante.

Nota: Os números do Produto e Artigo podem variar consoante as regiões de venda. Para mais informações de contacto, contacte o distribuidor apropriado ou consulte o site web da empresa.

Consulte as Peças de substituição e acessórios na versão alargada do manual.

Obsah

- 1 [Online návod k použití](#) na straně 128
- 2 [Technické údaje](#) na straně 128
- 3 [Obecné informace](#) na straně 129
- 4 [Instalace](#) na straně 131
- 5 [Uživatelské rozhraní a navigační tlačítka](#) na straně 133
- 6 [Spuštění](#) na straně 135
- 7 [Standardní operace](#) na straně 136
- 8 [Kalibrace](#) na straně 140
- 9 [Protokol dat](#) na straně 141
- 10 [Údržba](#) na straně 142
- 11 [Řešení problémů](#) na straně 145
- 12 [Náhradní díly a příslušenství](#) na straně 147

Kapitola 1 Online návod k použití

Tento základní návod k použití a obsahuje méně informací než návod k použití, který je k dispozici na webových stránkách výrobce.

Kapitola 2 Technické údaje

Specifikace podléhají změnám bez předchozího upozornění.

Specifikace	Podrobnosti
Rozměry (šířka × hloubka × výška)	13.08 x 5.89 x 25.83 cm (5.15 x 2.32 x 10.17 in.)
Stupeň krytí	IP64, jsou-li nainstalovány kryty portů konektorů sondy, případně je-li k přístroji připojena sonda
Hmotnost	1.2 kg (2.7 libry)
Požadavky na napájení (interní)	Lithium-iontová nabíjecí baterie, 7.4V, 5.0Ah (5000mAh)
Požadavky na napájení (externí)	100 V–240 V AC, vstup 50/60 Hz, 12 V při výstupu 3 A
Provozní teplota (vybití)	5 až 50 °C (41 až 122 °F); maximální relativní vlhkost vzduchu 85 %, bez kondenzace)
Teplota nabíjení	5 až 45 °C (41 až 113 °F); maximální relativní vlhkost vzduchu 85 %, bez kondenzace)
Skladovací teplota	–20 až 60 °C (–4 až 140 °F); maximální relativní vlhkost vzduchu 85 % (bez kondenzace)
Rozhraní	Port mini USB
5-pin vstupní konektor	Dva konektory M12 pro sondy IntelliCal
Připojení externího napájení	2,5mm konektor
Sloty Chemkey	4
Datová paměť	1 000 naměřených hodnot (výsledek, datum, čas, ID pracoviště, ID uživatele)
Ukládání dat	Automatické v režimu Stisknutím načtete. Ruční v režimu měření Kontinuální.
Korekce teploty (pro sondy IntelliCal™)	Vypnutá, automatická a ruční (podle parametru)
Zámek zobrazení měření (pro sondy IntelliCal™)	Režim měření Stisknutím načtete a Kontinuální.
Třída ochrany	III
Certifikáty	CE, UKCA, FCC, ISED, RCM, KC
Záruka	1 rok

Kapitola 3 Obecné informace

Výrobce v žádném případě neodpovídá za poškození vzniklá v důsledku nesprávného používání produktu nebo nedodržení pokynů v návodu k obsluze. Výrobce si vyhrazuje právo provádět v tomto návodu a výrobcích v něm popisovaných změny, a to kdykoliv, bez předchozích oznámení či jakýchkoli následných závazků. Revidovaná vydání jsou dostupná na internetových stránkách výrobce.

3.1 Bezpečnostní informace

Výrobce neodpovídá za škody způsobené nesprávnou aplikací nebo nesprávným použitím tohoto produktu včetně (nikoli pouze) přímých, náhodných a následných škod a zřídka se odpovědnosti za takové škody v plném rozsahu, nakolik to umožňuje platná legislativa. Uživatel je výhradně zodpovědný za určení kritických rizik aplikace a za instalaci odpovídajících mechanismů ochrany procesů během potenciální nesprávné funkce zařízení.

Před vybalením, montáží a uvedením přístroje do provozu si prosím pozorně přečtete celý tento návod. Zvláštní pozornost věnujte všem upozorněním na možná nebezpečí a výstražným informacím. V opačném případě může dojít k vážným poraněním obsluhy a poškození přístroje.

Ujistěte se, že nedošlo k poškození obalu tohoto zařízení a přístroj nepoužívejte a neinstalujte jinak, než jak je uvedeno v tomto návodu.

3.1.1 Informace o možném nebezpečí

▲ NEBEZPEČÍ

Označuje možnou nebo bezprostředně rizikovou situaci, jež může v případě, že jí nezabráníte, vést k usmrcení nebo vážnému zranění.

▲ VAROVÁNÍ

Upozorňuje na možné nebo skryté nebezpečné situace, jež by bez vhodných preventivních opatření mohly vést k úmrtí nebo vážnému poranění.

▲ POZOR



Upozorňuje na možnou nebezpečnou situaci, jež by mohla mít za následek menší nebo mírné poranění.

UPOZORNĚNÍ

Označuje situaci, která může způsobit poškození přístroje, pokud se nezabrání jejímu vzniku. Upozorňuje na informace vyžadující zvláštní pozornost.

3.1.2 Výstražné symboly

Přečtete si všechny štítky a etikety na přístroji. V opačném případě může dojít k poranění osob nebo poškození přístroje. Odkazy na symboly na přístroji naleznete v návodu spolu s výstražnou informací.

	Tento symbol, pokud je uveden na zařízení, odkazuje na provozní a/nebo bezpečnostní informace uvedené v návodu k obsluze.
	Elektrické zařízení označené tímto symbolem se nesmí likvidovat v evropských systémech domácího nebo veřejného odpadu. Staré nebo vysloužilé zařízení vraťte výrobci k bezplatné likvidaci.

3.1.3 Certifikace

Varování s oznámením EN 55011/CISPR 11

Toto je produkt Třídy A. V domácím prostředí může tento výrobek způsobit rádiové rušení. V takovém případě by měl uživatel učinit náležitá opatření.

Kanadské předpisy o zařízeních způsobujících rádiové rušení, IEC5-003, třída A:

Záznamy o testech jsou uloženy u výrobce.

Tento digitální přístroj třídy A splňuje všechny požadavky kanadských předpisů o zařízeních způsobujících rušení.

Cet appareil numérique de classe A répond à toutes les exigences de la réglementation canadienne sur les équipements provoquant des interférences.

FCC Část 15, meze třídy "A"

Záznamy o testech jsou uloženy u výrobce. Zařízení splňuje požadavky uvedené v části 15 pravidel FCC. Jeho provoz je dovolen jen při splnění následujících podmínek:

1. Zařízení nemůže způsobit škodlivé rušení.
2. Zařízení musí akceptovat veškeré přijaté rušení, včetně rušení, které může působit nežádoucí provoz.

Změny nebo úpravy tohoto zařízení, které nebyly výslovně schváleny stranou odpovědnou za vyhovění normám, mohou způsobit neplatnost oprávnění uživatele provozovat toto zařízení. Toto zařízení bylo testováno a bylo zjištěno, že vyhovuje limitům digitálního zařízení Třídy A na základě části 15 pravidel FCC. Uvedené meze byly stanoveny za účelem poskytnutí dostatečné ochrany před škodlivými poruchami, je-li zařízení v provozu v komerčním prostředí. Toto zařízení vytváří, používá a může vyzařovat vysokofrekvenční energii a jestliže není instalováno a používáno v souladu s návodem k použití, může působit rušení radiových komunikací. Provoz tohoto zařízení v obytných oblastech může pravděpodobně působit škodlivé rušení. V tomto případě uživatel bude muset odstranit rušení na své vlastní náklady. Ke snížení problémů způsobených rušením lze použít následující postupy:

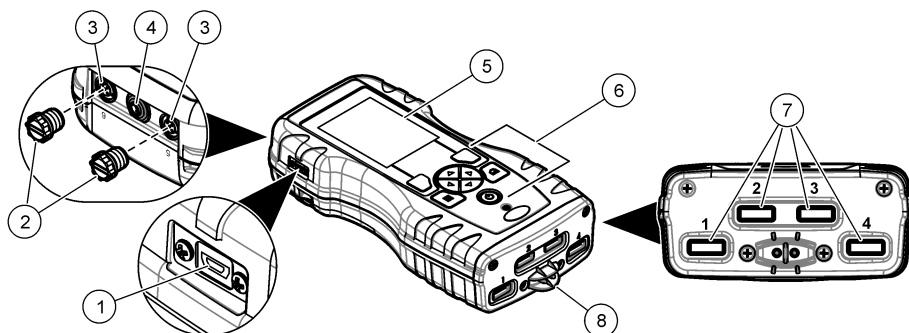
1. Odpojením zařízení od elektrické sítě se přesvědčte, zda zařízení je či není zdrojem rušení.
2. Pokud je zařízení připojeno do stejné zásuvky jako zařízení trpící rušením, zapojte jej do jiné zásuvky.
3. Zařízení posuňte dále od rušeného přístroje.
4. Změňte polohu přijímací antény zařízení, jež rušení přijímá.
5. Vyzkoušejte případně kombinaci několika uvedených opatření.

3.2 Popis výrobku

Přenosný paralelní analyzátor SL1000 měří maximálně šest parametrů současně, a to v pitné vodě a dalších aplikacích s čistou vodou. Měřicí přístroj využívá Chemkeys® a digitální sondy IntelliCAL™ k měření různých parametrů ve vodě. Měřicí přístroj automaticky rozpozná typ vloženého Chemkey nebo typ sondy, která je připojena k měřicímu přístroji.

Měřicí přístroj může pro měření používat maximálně čtyři Chemkey a maximálně dvě sondy. Viz [Obr. 1](#).

Obr. 1 Popis výrobku



1 Port mini USB	5 Displej
2 Kryty portů konektoru sondy	6 Klávesnice
3 Porty konektoru sondy	7 Sloty Chemkey
4 Port pro přístup k napájení	8 Detektor vzorku

3.3 Součásti výrobku

Ujistěte se, že byly dodány všechny součásti. Viz dodaná dokumentace. V případě, že některé položky chybí nebo jsou poškozené, se ihned obraťte na výrobce nebo příslušného obchodního zástupce.

Kapitola 4 Instalace

▲ VAROVÁNÍ



Různá nebezpečí. Práce uvedené v tomto oddíle dokumentu smí provádět pouze dostatečně kvalifikovaný personál.

4.1 Lithium battery safety

▲ VAROVÁNÍ



Nebezpečí požáru a exploze. Lithiové baterie se mohou při nesprávném používání zahřívát, explodovat nebo vznítit a způsobit tak vážné poranění.

- Baterie nepoužívejte, pokud vykazují viditelné poškození.
- Baterie nepoužívejte po silném otřesu nebo vibracích.
- Nevystavujte baterie ohni.
- Baterie uchovávejte při teplotě nižší než 60 °C.
- Baterie udržujte v suchu, mimo dosah vody.
- Zamezte kontaktu mezi kladným a záporným pólem baterie.
- Nenechte manipulovat s bateriemi nepovolané osoby.
- Baterie likvidujte v souladu s místními, regionálními a státními předpisy.
- Nepoužívejte a neukládejte přístroj na přímém slunečním světle, v blízkosti zdroje tepla nebo v prostředí s vysokou teplotou, například v uzavřeném vozidle na přímém slunečním světle.

4.2 Instalace baterie

▲ VAROVÁNÍ



Nebezpečí požáru a exploze. Toto zařízení obsahuje vysoce energetickou lithiovou baterii, která může způsobit vznícení a požár nebo explozi, dokonce i bez napájení. Aby byla zajištěna bezpečnost poskytovaná pouzdem přístroje, musí být nainstalovány kryty pouzdra přístroje a musejí být upevněny dodanou montážní sadou.

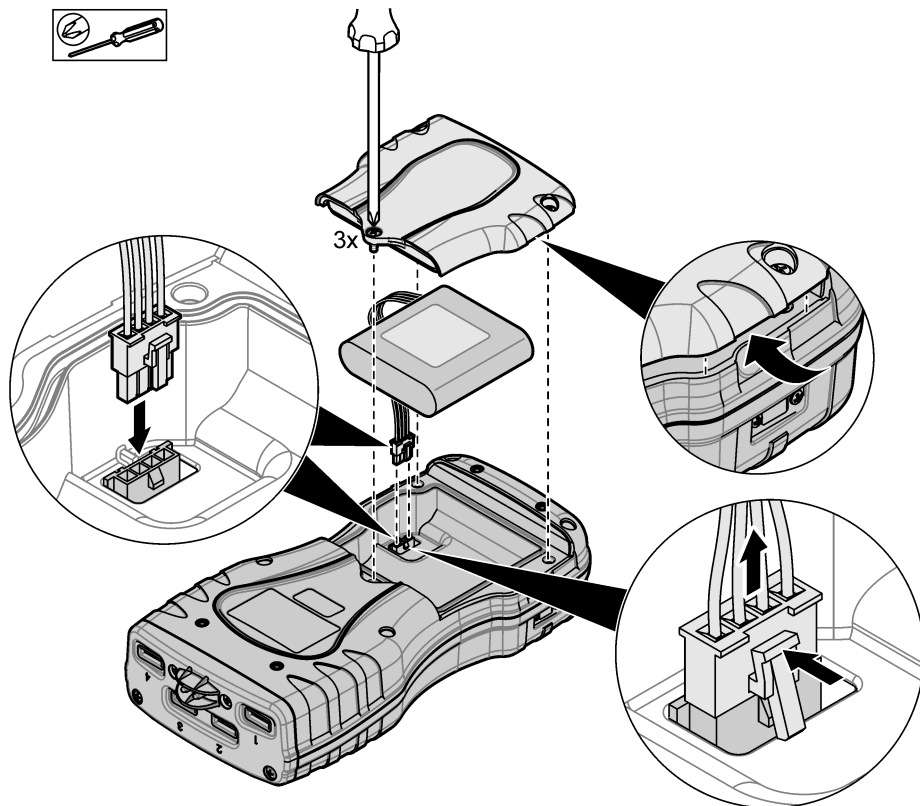
▲ VAROVÁNÍ



Nebezpečí výbuchu a požáru. Nahrazení baterie není povoleno. Používejte pouze baterie dodané výrobcem zařízení.

Používejte pouze lithium-iontovou dobíjecí baterii dodanou výrobcem. Informace o vložení a vyjmutí baterie naleznete zde [Obr. 2](#).

Obr. 2 Vložení a vyjmutí baterie



4.3 Nabíjení baterie

⚠ VAROVÁNÍ



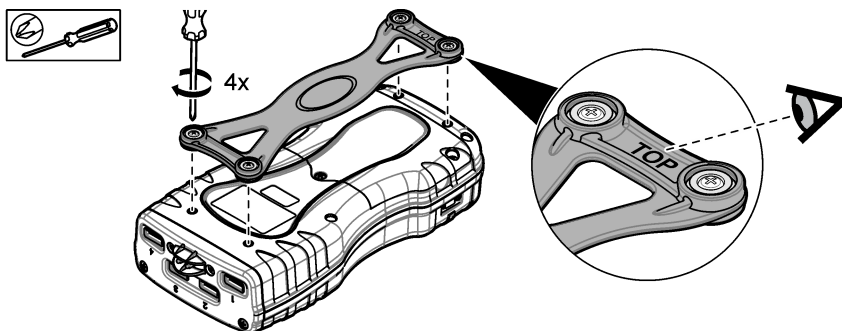
Nebezpečí požáru. Používejte pouze externí zdroj napájení, který patří k tomuto zařízení.

1. Připojte externí napájení k zásuvce střídavého proudu.
2. Připojte externí napájení k portu napájení na měřicím přístroji. Viz [Popis výrobku](#) na straně 130.
 - Přístroj lze používat během nabíjení baterie.
 - Náhraza externího napájení není přípustná. Používejte pouze externí zdroj napájení uvedený v seznamu dílů a příslušenství k přístroji. Viz [Náhradní díly a příslušenství](#) na straně 147.
 - Nenabíjejte baterii déle než 24 hodin.

4.4 Instalace šňůrky

Nainstalujte šňůrku pro bezpečné držení přístroje. Viz [Obr. 3](#).

Obr. 3 Instalace šňůrky

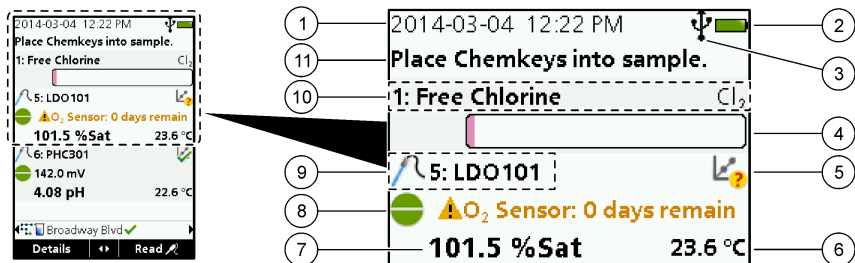


Kapitola 5 Uživatelské rozhraní a navigační tlačítka

5.1 Popis displeje

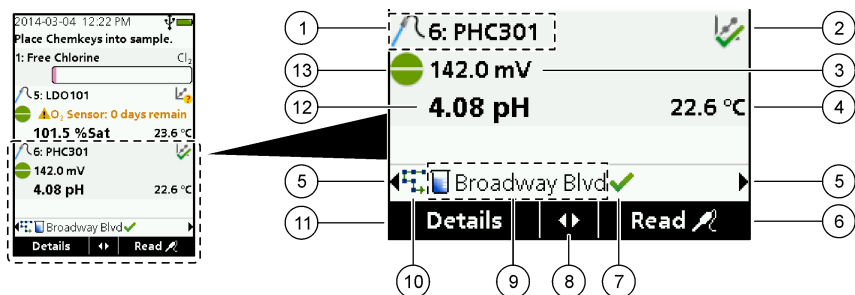
Popis obrazovky měření naleznete v částech [Obr. 4](#) a [Obr. 5](#).

Obr. 4 Obrazovka měření (horní část)



1 Datum a čas	7 Hodnota primárního měření (parametr vybraný uživatelem)
2 Stav baterie	8 Ikona stability s ikonou varování a varovným hlášením
3 Ikona aktivního připojení USB (port COM), je-li vybrána třída komunikace	9 Ikona sondy, číslo portu, název parametru nebo sondy
4 Indikátor průběhu (nedokončené měření)	10 Číslo slotu, název parametru a chemická značka
5 Ikona stavu kalibrace (kalibrace není správná)	11 Velmi důležitá zpráva pro zařízení (následovaná chybou a varovným hlášením)
6 Sekundární měření (parametr vybraný uživatelem)	

Obr. 5 Obrazovka měření (dolní část)

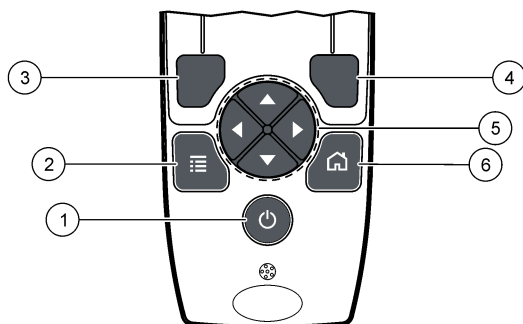


1 Ikona sondy, číslo portu, název parametru nebo sondy	8 Aktivní klávesy se šipkami
2 Ikona stavu kalibrace (kalibrace je správná)	9 Ikona ID pracoviště a název pracoviště
3 Hodnota sekundárního měření (parametr vybraný uživatelem)	10 Ikona tras (zobrazuje se, pokud jsou nastaveny trasy)
4 Hodnota terciárního měření (parametr vybraný uživatelem)	11 Možnosti (kontextové: Detaily, Ukončit, Zrušit, Vybrat, Zrušit výběr)
5 Levá a pravá šipka slouží k výběru příslušného ID	12 Hodnota primárního měření (vybráno uživatelem)
6 Možnosti (kontextové: Načíst, Vybrat, OK, Odstranit)	13 Ikona stability
7 Zaškrtnutí: Dokončené měření na pracovišti	

5.2 Popis klávesnice

Popis ovládacího panelu a navigace viz [Obr. 6](#).

Obr. 6 Popis klávesnice



1 VYPÍNAČ	4 PRAVÁ klávesa pro výběr (kontextová): načtení vzorků, odstranění, výběr nebo potvrzení možností, slouží k otevření podnabídek.
2 Tlačítko HLAVNÍ NABÍDKA: slouží k výběru ověření, kalibrace, tras, nastavení, protokolu dat, informací, diagnostiky, ID operátora a ID pracoviště.	5 Navigační klávesy NAHORU, DOLŮ, DOPRAVA, DOLEVA ¹ : procházení nabídkami, zadávání číslic a písmen.
3 LEVÁ klávesa pro výběr (kontextová): details, výběr/zrušení výběru, slouží ke zrušení nebo ukončení aktuální obrazovky nabídky a návratu k předchozí obrazovce.	6 DOMŮ: Přechod na hlavní obrazovku měření.

Kapitola 6 Spuštění

6.1 Zapnutí napájení

Stisknutím **VYPÍNAČE** měřicí přístroj zapnete nebo vypnete. Pokud se měřicí přístroj nezapne, ověřte, že je správně vložena baterie.

6.2 Změna jazyka

Jazyk displeje nastavte po prvním spuštění měřicího přístroje. Jazyk lze změnit v nabídce **Nastavení**.

1. Stiskněte možnost **Nastavení>Jazyk**.
2. Vyberte platný jazyk.

6.3 Změna data a času

Formát data a času lze nastavit dvěma způsoby:

- Nastavte datum a čas po prvním spuštění měřicího přístroje.
- Datum a čas se nastavuje v nabídce Datum a čas.

1. Vyberte možnost **Nastavení>Měřič>Datum a čas**.
2. Pomocí kláves se šipkami vyberte formát data a času a poté zadejte aktuální čas a datum. Aktuální čas a datum se zobrazí na displeji a v údajích protokolu měření.

¹ NAHORU, DOLŮ: procházení měřeními v případě, že existují více než čtyři měření, DOPRAVA, DOLEVA: procházení ID operátorů a ID vzorků.

Kapitola 7 Standardní operace

7.1 Použití ID operátora

Záložka ID operátora propojuje měření s konkrétním operátorem. Všechna uložená data budou toto ID obsahovat.

ID operátora lze snadno spravovat pomocí webové aplikace „tool.htm“. Další informace naleznete na webu výrobce.

1. Stiskněte možnost **Hlavní nabídka>ID operátora**.
2. Vyberte některou z možností.

Volba	Popis
Režim	Nastaví funkci ID operátora na hodnotu zapnuto nebo vypnuto (výchozí hodnota).
Vybrat	Zvolte ID ze seznamu. Aktuální ID bude spojeno s daty vzorku, dokud nebude vybráno odlišné ID. Pomocí šipek NAHORU a DOLŮ vyberte ID operátora na domovské obrazovce. Je možné vybrat ID operátora na obrazovce měření ještě předtím, než je vložen Chemkey do slotu nebo je připojena sonda.
Vytvořit	Zadejte název pro nové ID operátora.
Odstranit	Vymazání existujícího ID operátora.

7.2 Použití ID pracoviště

Vyberte ID pracoviště, které má být přiřazeno měřením u konkrétního vzorku nebo místa. Jestliže bylo nastaveno ID pracoviště, budou uložená data obsahovat toto ID.

ID pracoviště lze snadno spravovat pomocí webové aplikace „tool.htm“. Další informace naleznete na webu výrobce.

1. Stiskněte možnosti **Hlavní nabídka>ID pracoviště**.
2. Vyberte některou z možností.

Volba	Popis
Režim	Funkci ID pracoviště lze nastavit na hodnotu automatické, vypnuto nebo trasy. Ruční —Ruční výběr ID pracoviště. Automaticky —Vzorky jsou číslovány v postupném pořadí pro každé měření, dokud není vybráno jiné ID pracoviště. Vypnuto —Funkce ID pracoviště je vypnutá (výchozí hodnota). Trasy —Poskytuje seřazenou podmnožinu pro kompletní seznam ID pracovišť.
Vybrat	Zvolte ID ze seznamu. Aktuální ID bude spojeno s daty vzorku, dokud nebude vybráno odlišné ID. Nastavte možnost ID pracoviště>Zobrazit na hodnotu Ano. Pomocí kláves DOPRAVA nebo DOLEVA vyberte aktuální ID pracoviště na obrazovce měření. Ujistěte se, že je možnost ID pracoviště>Zobrazit nastavena na hodnotu Ano a je vložen nejméně jeden Chemkey ve slotu nebo je připojena jedna sonda.
Vytvořit	Přidejte nové ID pracoviště.
Odstranit	Vymazání stávajícího ID pracoviště nebo pracovišť. Poznámka: <i>Chcete-li odstranit ID pracoviště, zajistěte, aby byl vybrán režim Ruční.</i>
Zobrazit	Zobrazí ID pracoviště na obrazovce měření. Lze nastavit na hodnotu zapnuto nebo vypnuto.
Trasy	Poskytne uspořádaný seznam ID pracovišť. Je-li vybrána trasa, na obrazovce měření se automaticky zobrazí ID pracoviště a je zaznamenáno. Stisknutím šipky DOPRAVA vyberte další místo. Trasy se nastavují pomocí webového nástroje „tool.htm“. Další informace naleznete na webu výrobce.
Poznámky	Slouží k záznamu zvláštních informací a k přidání těchto informací do protokolu událostí.

7.3 Provedení měření Chemkey

UPOZORNĚNÍ

Nezahajujte nové měření Chemkey, dokud nejsou dokončena ostatní měření Chemkey. Při měření Chemkey vložte měřicí přístroj do vzorku pouze jednou.

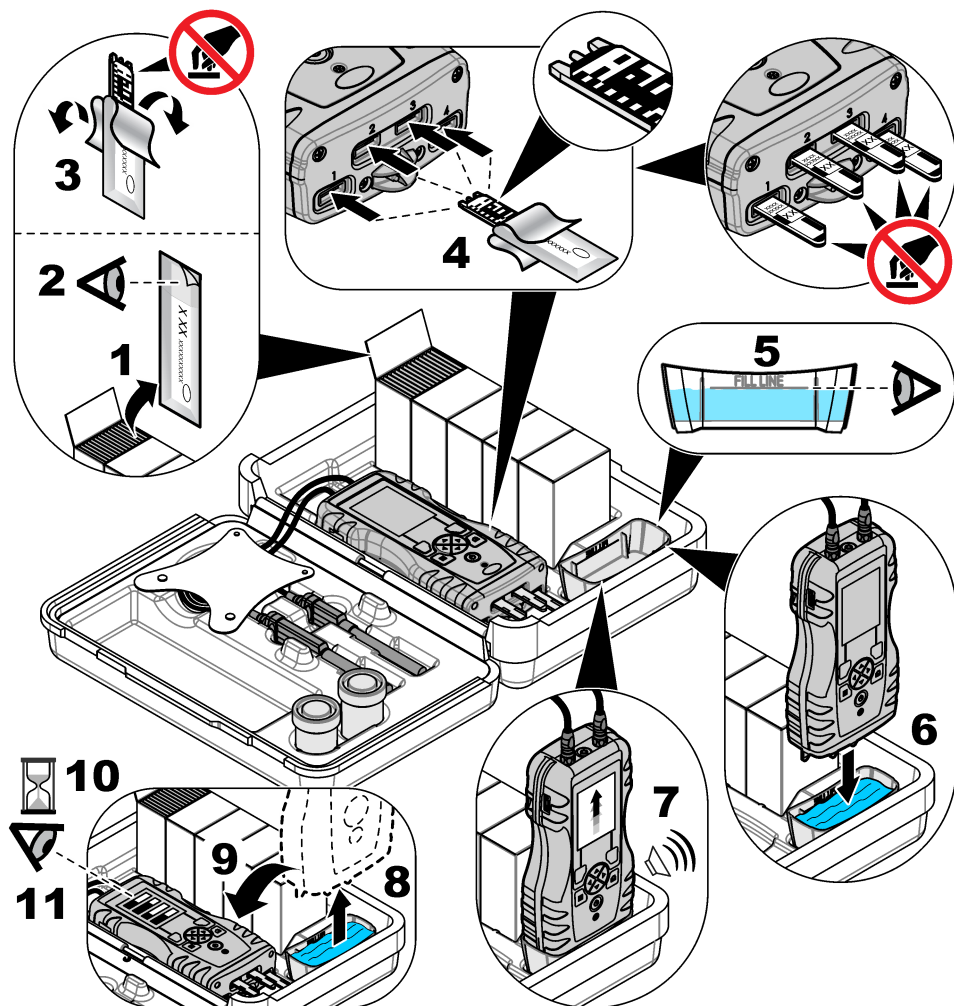
Chcete-li provést měření pomocí jednoho nebo více Chemkey, postupujte následovně: Viz [Obr. 7](#). Je možné provádět více měření sondou současně. Viz [Provedení měření sondou](#) na straně 139.

1. Zapněte napájení měřicího přístroje.
2. Pokud je nutná úplná sledovatelnost, zadejte před měřením ID pracoviště a ID operátora. Viz [Použití ID operátora](#) na straně 136 a [Použití ID pracoviště](#) na straně 136.
3. Jedním pohybem úplně zasuňte příslušný (nebo příslušné) Chemkey do slotu 1 až 4. Zajistěte, aby se pro každé měření vždy použil nový Chemkey. Je důležité zasunout Chemkey do slotu úplně nadoraz.
Jakmile je Chemkey ve slotu, nehýbejte s ním ani se ho nedotýkejte.²
4. Vypláchněte nádobku na vzorek vzorkem.
5. Naplňte nádobku na vzorek měřicího přístroje vzorkem až po plnicí rysku.
6. Vložte měřicí přístroj do nádobky na vzorek.
7. Počkejte, dokud se nezve zvukové upozornění nebo se nezobrazí animace pro vyjmutí měřicího přístroje (do 1 až 2 sekund)
Vložte měřicí přístroj zpět do pouzdra a počkejte na dokončení měření. Parametry mají různou reakční dobu. Na displeji se zobrazuje indikátor průběhu s uvedením času zbyvajících do dokončení měření.
8. Hodnoty měření se zobrazí na displeji.

Poznámka: Pokud se zobrazí chyba, získáte další informace stisknutím tlačítka **Detaily**.

² K získání měření volného amoniaku je nezbytný jak monochloraminový Chemkey, tak Chemkey pro volný amoniak.

Obr. 7 Měření vzorku Chemkey



7.4 Připojení sondy

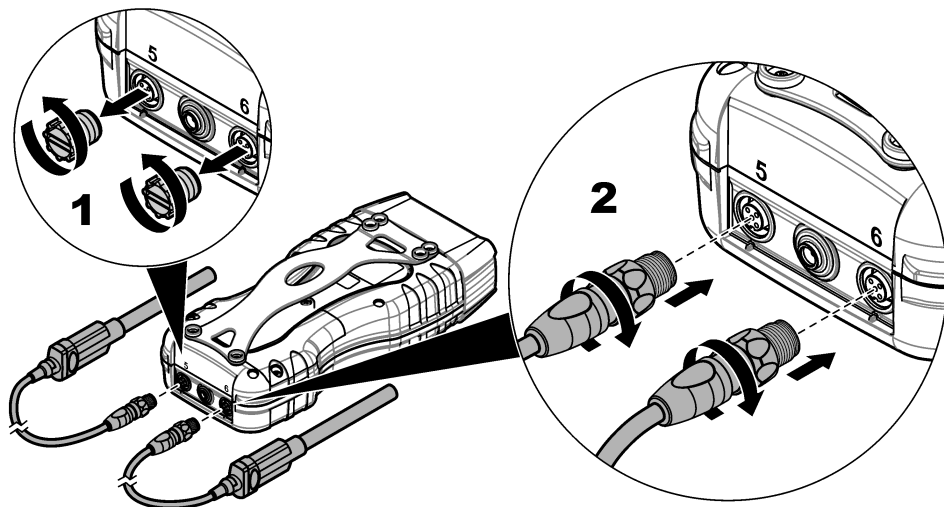
UPOZORNĚNÍ

Krytí portů konektoru sondy nevyhazujte. Pokud není připojena žádná sonda, dbejte na to, aby byly nainstalovány krytí portů konektoru sondy.

Ujistěte, že se na displeji zobrazuje aktuální datum a čas. Poté připojte sondu k měřicímu přístroji. Viz Obr. 8.

Poznámka: Při prvním připojení sondy k měřidlu se zobrazí časové razítko sondy. Toto časové razítko umožňuje zaznamenání historie sondy a času, kdy se uskutečnila měření.

Obr. 8 Připojení sondy



7.5 Provedení měření sondou

Provedte měření sondou (nebo sondami) pomocí následujícího postupu. Viz [Obr. 9](#). Je možné provádět více měření Chemkey současně. Viz [Provedení měření Chemkey](#) na straně 137.

1. Před prvním použitím sondy nakalibrujte. Viz [Kalibrace sondy](#) na straně 140.

Poznámka: Pro dosažení nejlepší přesnosti kalibrujte sondy denně.

2. Před připojením sondy nastavte datum a čas měřicího přístroje. Viz [Změna data a času](#) na straně 135.

Sonda musí mít správné označení životnosti.

3. Pokud je nutná úplná sledovatelnost, zadejte před měřením ID pracoviště a ID operátora. Viz [Použití ID operátora](#) na straně 136 a [Použití ID pracoviště](#) na straně 136.

4. Sejměte kryty portů konektoru sondy a připojte sondu (sondy). Postup připojení sondy naleznete zde [Obr. 8](#) na straně 139.

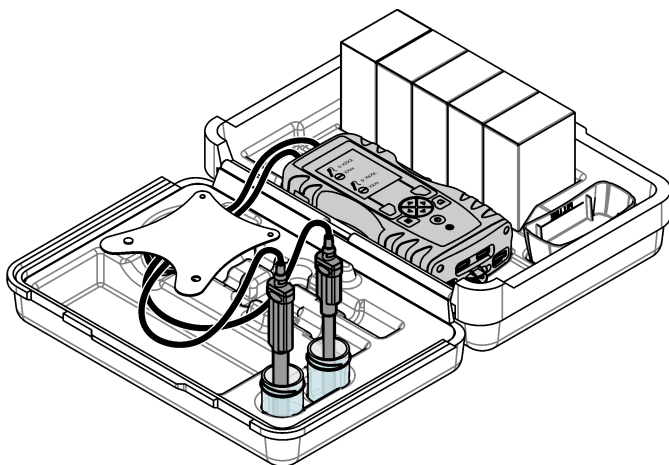
Poznámka: Kryty portů konektoru sondy nevyhazujte. Pokud není připojena žádná sonda, instalujte kryty portů konektoru sondy.

5. Vypláchněte lahvičky na vzorky pomocí vzorku.

6. Naplňte lahvičku na vzorky vzorkem tak, aby byl snímač úplně ponořen ve vzorku.

7. Vložte sondu (sondy) do lahviček na vzorky a stiskněte tlačítko **Načíst**, je-li režim měření nastaven na možnost **Stisknutím načtete**. Další informace naleznete v dokumentaci sondy.

8. Hodnoty měření se zobrazí na displeji.




Kapitola 8 Kalibrace

▲ POZOR



Nebezpečí styku s chemikáliemi. Dodržujte laboratorní bezpečnostní postupy a noste veškeré osobní ochranné pomůcky vyžadované pro manipulaci s příslušnými chemikáliemi. Bezpečnostní protokoly naleznete v aktuálních datových bezpečnostních listech (MSDS/SDS).

8.1 Kalibrace sondy

Jednotlivé sondy používají různé typy kalibračního roztoku. Sondy kalibrujte často, aby se zajistilo udržení nejvyšší úrovně přesnosti. Měřicí přístroj zobrazí stav kalibrace. Není-li kalibrace správná, bude se zobrazovat ikona kalibrace s otazníkem , dokud nebude sonda zkalibrována správně. Když je kalibrace správná, zobrazí se ikona kalibrace se zeleným zaškrtnutím. Podrobné pokyny získáte v dokumentaci k jednotlivým sondám. Další informace naleznete na webu výrobce.

1. Připojení sondy.
2. Spustíte kalibraci stisknutím možnosti **Hlavní nabídka>Kalibrovat**.
3. Vyberte příslušnou sondu, je-li k přístroji připojena více než jedna.
Poznámka: Je-li připojena pouze jedna sonda, tento krok se nezobrazí.
4. Proveďte kalibraci sondy podle pokynů zobrazených na displeji.
Poznámka: V případě sondy ISE stisknutím tlačítka se šipkou DOPRAVA přejdete k dalšímu kalibračnímu standardu podle potřeby. Změřte standardy v pořadí od nízké koncentrace k vysoké koncentraci.
5. V případě potřeby proveďte ověření. Viz [Ověření sondy](#) na straně 141.

8.2 Tovární kalibrace

Výrobce doporučuje každoročně provádět kompletní tovární kalibraci, aby byla zajištěna zamýšlená funkčnost systému. Obráťte se prosím na servisní centrum společnosti Hach pro vaši oblast.

8.3 Kalibrace měřicího přístroje pro specifický parametr Chemkey

Každý Chemkey využívá různá nastavení kalibrace. Další informace naleznete na webu výrobce.

1. Pomalu a jedním pohybem zasuňte jeden nebo více Chemkey do slotu (slotů) 1 až 4.
2. Spustěte kalibraci stisknutím možnosti **Hlavní nabídka>Kalibrovat**.
3. Vyberte platný Chemkey.
4. Zadejte příslušnou nominální hodnotu standardu.
5. Proveďte kalibraci Chemkey podle zobrazených pokynů.
6. V případě potřeby proveďte ověření. Viz [Ověření Chemkey](#) na straně 141.

8.4 Ověření sondy

1. Spustěte ověření stisknutím možnosti **Hlavní nabídka>Ověření**.
2. Vyberte příslušné zařízení.
3. Proveďte ověření podle pokynů zobrazených na displeji.

Poznámka: Chcete-li změnit standard, který se používá pro ověření, stiskněte tlačítko **Hlavní nabídka>Nastavení>Sonda>[Select Probe (Vybrat sondu)]>Možnosti ověření>Standard**.

8.5 Ověření Chemkey

Chemkey lze ověřit dvěma postupy. Je možné použít Chemkey pro specifický parametr nebo Chemkey pro systémové ověření. Viz [Náhradní díly a příslušenství](#) na straně 147.

• Chemkey pro specifický parametr:

1. Pomalu a jedním pohybem zasuňte Chemkey pro specifický parametr do slotu (slotů) 1 až 4.
2. Poté spustěte ověření stisknutím možnosti **Hlavní nabídka>Ověření**.
3. Dokončete postup podle pokynů v nabídce.

• Chemkey pro systémové ověření:

1. Spustěte ověření stisknutím možnosti **Hlavní nabídka>Ověření**.
2. Poté pomalu a jedním pohybem zasuňte Chemkey pro systémové ověření do prvního slotu.
3. Dokončete postup podle pokynů v nabídce.

Kapitola 9 Protokol dat

Protokol dat zobrazuje všechny uložené hodnoty.

1. Stiskněte možnosti **Hlavní nabídka>Protokol dat**.
2. Vyberte některou z možností.

Volba	Popis
Všechny protokoly podle data	Zobrazuje výsledky měření vzorku: název sondy, výrobní číslo sondy, hodnotu, jednotku, teplotu, čas, datum poznámky, ID operátora, ID pracoviště a detaily kalibrace. Na displeji se zobrazí poslední měření. Předchozí měření zobrazíte stisknutím šipky DOLEVA.
Aktuální kalibrace sondy	Zobrazuje detaily kalibrace pro poslední kalibraci. Pokud uživatel nekalibroval sondu, zobrazí se údaje o kalibraci z výroby.
Historie kalibrace sondy	Zobrazí seznam časových údajů, kdy byla sonda kalibrována. Výběrem data a času zobrazíte souhrn dat kalibrace.
Odstranit protokol dat	Vymaže všechna data měřicího přístroje najednou. Data zařízení zůstanou zachována.

9.1 Import dat do aplikace Excel

⚠ VAROVÁNÍ



Nebezpečí úrazu elektrickým proudem. Externě připojená zařízení musí odpovídat platným hodnocením bezpečnostních norem dané země.

Měřicí přístroj ukládá protokol dat ve formátu XML. ID pracoviště, pořadí, datum a čas, parametr, naměřenou hodnotu, jednotky, ID operátora, číslo slotu, číslo šarže Chemkey a výrobní číslo měřicího přístroje lze uložit do tabulky aplikace Excel.

1. Zapněte napájení měřicího přístroje.
2. Připojte měřicí přístroj kabelem USB k počítači. Měřicí přístroj se v počítači zobrazí jako „Hach Portable Parallel Analysis“ (Přenosná paralelní analýza Hach).
3. Otevřete složku „DataTemplate“ (Šablona dat).
4. Otevřete soubor „LogTemplate.xlsx“.
5. Pravým tlačítkem myši klikněte na buňku „A2“ a vyberte možnost XML>Import (Importovat).
6. Vyberte všechny soubory protokolů ve složce „Data“ na jednotce „Hach Portable Parallel Analysis“ (Přenosná paralelní analýza Hach).
7. Klikněte na možnost **Import (Importovat)**.
Zobrazí se protokol dat v tabulce aplikace Excel.
8. V případě potřeby uložte soubor do počítače nebo na jednotku USB.
9. Bezpečně odeberte měřicí přístroj z počítače. Klikněte na ikonu se zelenou šipkou „Bezpečně odebrat hardware a vysunout médium“ na hlavním panelu operačního systému.
Poznámka: Některé ikony lze nalézt na hlavním panelu pod možností „Zobrazit skryté ikony“.
10. Odpojte kabel USB od měřicího přístroje.

9.2 Náhled dat ve webovém prohlížeči

Chcete-li se podívat na protokol dat ve webovém prohlížeči, postupujte následovně. Ve vybraném webovém prohlížeči se zobrazuje ID pracoviště, pořadí, datum a čas, parametr, naměřená hodnota, jednotky, ID operátora, číslo slotu, kód šarže Chemkey a výrobní číslo měřicího přístroje.

1. Zapněte napájení měřicího přístroje
2. Připojte měřicí přístroj kabelem USB k počítači. Měřicí přístroj se v počítači zobrazí jako „Hach Portable Parallel Analysis“ (Přenosná paralelní analýza Hach).
3. Z jednotky otevřete složku „Data“.
4. Otevřete soubor protokolu dat.
 - V libovolném prohlížeči otevřete soubor „LogNN.XML“ (NN = číslice od 0 do 9).
 - Ve webovém prohlížeči klikněte na nabídku **Soubor>Otevřít** a najdete složku „Data“.
5. V případě potřeby uložte soubor do počítače nebo na jednotku USB.
6. Bezpečně odeberte měřicí přístroj z počítače. Klikněte na ikonu se zelenou šipkou „Bezpečně odebrat hardware a vysunout médium“ na hlavním panelu operačního systému.
Poznámka: Některé ikony lze nalézt na hlavním panelu pod možností „Zobrazit skryté ikony“.
7. Odpojte kabel USB od měřicího přístroje.

Kapitola 10 Údržba

⚠ VAROVÁNÍ



Různá nebezpečí. Práce uvedené v tomto oddíle dokumentu smí provádět pouze dostatečně kvalifikovaný personál.

⚠ POZOR



Nebezpečí styku s chemikáliemi. Dodržujte laboratorní bezpečnostní postupy a noste veškeré osobní ochranné pomůcky vyžadované pro manipulaci s příslušnými chemikáliemi. Bezpečnostní protokoly naleznete v aktuálních datových bezpečnostních listech (MSDS/SDS).

⚠ POZOR



Nebezpečí styku s chemikáliemi. Likvidujte chemikálie a odpad v souladu s místními, regionálními a národními předpisy.

10.1 Odstraňování rozlitych kapalin

⚠ POZOR



Nebezpečí styku s chemikáliemi. Likvidujte chemikálie a odpad v souladu s místními, regionálními a národními předpisy.

1. Dodržujte veškeré bezpečnostní protokoly pro odstraňování rozlitych kapalin, které jsou platné ve vaší organizaci.
2. Likvidujte odpad podle příslušných ustanovení.

10.2 Čištění přístroje

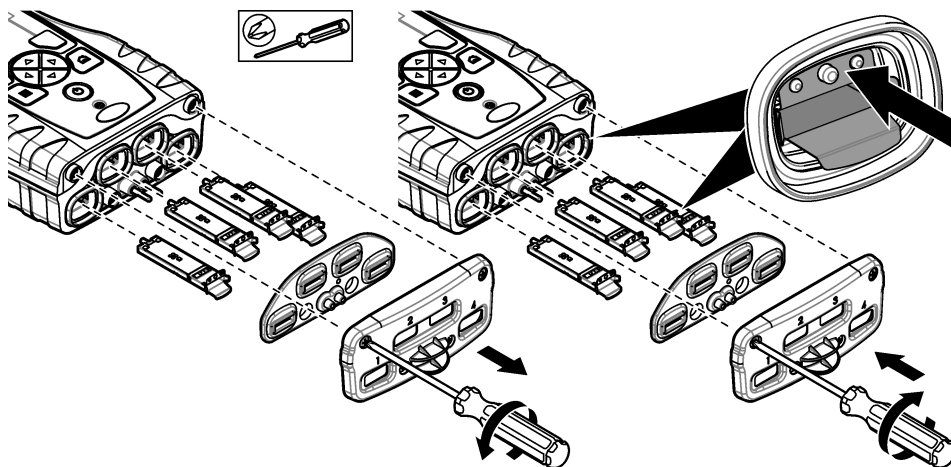
Vyčistěte vnější povrch přístroje vlhkým hadříkem a jemným mýdlovým roztokem, a poté přístroj podle potřeby otřete dosucha.

10.3 Čištění nebo výměna dílů

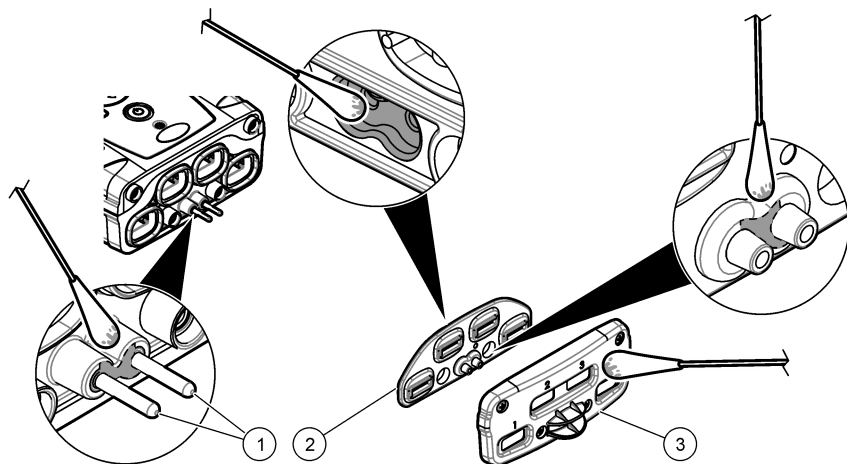
Některé chyby a varování vyžadují čištění slotů Chemkey, optických okének, okénka čárového kódu, detektoru vzorků nebo vyžadují výměnu zásobníků. Vyčistěte díly izopropylalkoholem. Stínítko vyčistěte vodou a jemným čistícím prostředkem. Dbejte, abyste aplikátorem s bavlněnou špičkou pohybovali pouze jedním směrem. Postup odstranění přístupového krytu optiky, stínítka a zásobníků naleznete v části [Obr. 10](#). Podrobný postup čištění naleznete v části [Obr. 11](#) a [Obr. 12](#).

Položky, které je třeba připravit: aplikátor s bavlněnou špičkou, izopropylalkohol, voda a jemný čistící prostředek

Obr. 10 Demontáž a sestavení dílů

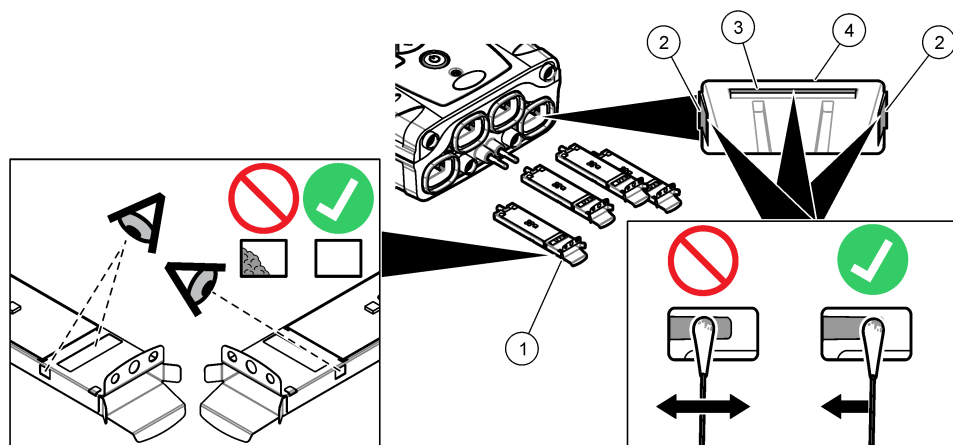


Obr. 11 Vyčistěte detektor vzorků, stínítka a přístupový kryt.



1 Detektor vzorků	3 Přístupový kryt optiky
2 Stínítka	

Obr. 12 Vyčistěte zásobník a sloty pro Chemkey



1 Podstavec	3 Okénko s čárovým kódem
2 Optické okénko	4 Slot pro Chemkey

10.4 Nabíjení nebo výměna baterie

Pokud je úroveň nabití baterie nízká, nabijte ji. Pokud baterie nedokáže zůstat nabitá, vyměňte ji. Používejte pouze specifikovanou baterii dodávanou výrobcem. Viz [Instalace baterie](#) na straně 132 a [Náhradní díly a příslušenství](#) na straně 147.

10.5 Příprava na odeslání

UPOZORNĚNÍ

Možné poškození přístroje. Před odesláním vypusťte z přístroje veškerou vodu, aby nedošlo k poškození vlivem mrazivých teplot.

Před odesláním výrobcí se obraťte na technickou podporu, která vám podá instrukce.

- Před odesláním přístroj vyčistěte a dekontaminujte.
- Přístroj odešlete s baterií vloženou v měřicím přístroji, ale dbejte na to, aby baterie nebyla připojena ke konektoru.
- Před odesláním odpojte sondy a vyjměte všechny Chemkey.
- Přístroj odešlete v původním obalu nebo jej odešlete v alternativním bezpečném obalu.

Kapitola 11 Řešení problémů

Chyba/varování	Možná příčina	Řešení
Chyba načtení čár. kódu Vložte Chemkey(s) znovu	Chemkey nepracuje správně. Chemkey není nainstalován správně.	<ul style="list-style-type: none"> • Vložte Chemkey znovu do slotu. • Použijte nový Chemkey. • Vyčistěte okénko čárového kódu. Viz Obr. 12 na straně 144. • Pokud problém přetrvává, kontaktujte technickou podporu.
Chyba nasátí vzorku. Chemkey unikalo. Zkuste jiné	Chemkey nepracuje správně. Chemkey není úplně zasunutý do slotu.	Použijte nový Chemkey a dbejte, abyste zasunuli Chemkey do slotu až nadoraz. Pokud problém přetrvává, kontaktujte technickou podporu.
Chemkey po exspiraci.	Lhůta výměny Chemkey vypršela.	
Chyba měření (1–4)	Došlo k chybě měření v zadaném slotu.	
Parametr není podporován	V nainstalovaném softwaru přístroje není tento parametr k dispozici.	Aktualizujte software přístroje. Na stránce www.hach.com vyhledejte „SL1000“. Přejděte do části Ke stažení->Software/firmware a postupujte podle návodu na stránce.
Použ. Chemkey – nahr.	Chemkey již bylo použito nebo je ve slotu voda.	Použijte nový Chemkey. Pokud problém přetrvává, vysušte slot a přístroj a zkuste to znovu. Pokud problém přetrvává, kontaktujte technickou podporu.
Zásobník unikal. Vyměňte zásobník.	Vyskytl se problém s měřeným zásobníkem.	Vyměňte zásobník. Viz Obr. 10 na straně 143. Pokud problém přetrvává, kontaktujte technickou podporu.
Chyba ohříváče Vyměňte zásobník	Zásobník nefunguje správně.	
Odebrat ze vzorku.	Měřič byl vložen do vzorku ještě předtím, než byl připravený.	Počkejte, dokud není měřič připraven k vložení do vzorku.
Vzorek odebrán příliš brzy		Vložte do slotu jiný Chemkey. Počkejte, dokud není měřič připraven k vložení do vzorku.
Příliš mnoho času ve vzorku	Chemkey byly ponechány ve vzorku příliš dlouho. Vyskytla se chyba měření.	Odeberte Chemkey ihned po zobrazení výzvy.
	Pokud se varování zobrazuje v době, kdy měřič není ve vzorku, oblast kolíků detektoru vzorků je znečištěna.	Vyčistěte oblast kolíků detektoru vzorků. Viz Čištění nebo výměna dílů na straně 143. Pokud problém přetrvává, kontaktujte technickou podporu.

Chyba/varování	Možná příčina	Řešení
Nad rozsahem	Koncentrace je větší než horní hranice aktuálně použité metody.	Rozředte vzorek a opakujte měření.
Pod rozsahem	Koncentrace je menší než dolní hranice aktuálně použité metody.	—
Zásobník příliš studený.	Měřič je pravděpodobně příliš studený na to, aby ohřál zásobník, nebo je nefunkční ohříváč.	Přeneste měřič do prostředí s vyšší teplotou a proveďte měření znovu. Vyměňte zásobník.
Zásobník příliš horký.	Měřič je příliš horký na to, aby provedl správné měření.	Zajistěte ochlazení měřiče nebo přeneste měřič pryč z prostředí s vyšší teplotou.
Příliš silné okolní světlo. Vložte Chemkey v temnějším prostředí	Okolní světlo je příliš silné pro načtení čárového kódu.	Přesuňte měřič do temnějšího prostředí a vložte Chemkey znovu do slotu.
Slabé světlo. Vyčistěte slot Chemkey.	Chemkey nepracuje správně. Chemkey není nainstalován správně.	<ul style="list-style-type: none"> Vložte Chemkey do slotu jedním stisknutím. Použijte nový Chemkey. Vyčistěte slot Chemkey. Viz Obr. 12 na straně 144. Pokud problém přetrvává, kontaktujte technickou podporu.
Přístroj vyžaduje servis.	Selhání modulu.	Použijte modul, který pracuje správně. Se žádostí o opravu vadného modulu se obraťte na technickou podporu.
Vzorek nenalezen.	<ul style="list-style-type: none"> Nádobka se vzorkem není naplněna až po plnicí rysku. Konduktivita vzorku je nižší než 2 $\mu\text{S/cm}$. 	<ul style="list-style-type: none"> Dbejte na to, aby byla nádobka se vzorkem naplněna až po plnicí rysku. Ujistěte se, že je konduktivita vzorku vyšší než 2 $\mu\text{S/cm}$. Vyčistěte detektor vzorků. Viz Obr. 11 na straně 144. Pokud problém přetrvává, kontaktujte technickou podporu.

11.1 Provedte kontrolu diagnostiky

Nabídka diagnostiky zobrazuje informace o aktuálních verzích měřicího přístroje a možnosti formátovat paměťovou kartu.

1. Stiskněte možnosti **Hlavní nabídka>Diagnostika**.
2. Vyberte některou z možností.

Volba	Popis
Prostor na disku	Zobrazuje prostor na disku pro uživatelskou paměť a pro interní paměť.
Verze konfigurace	Zobrazuje verze konfigurace nastavení měřicího přístroje.
Verze metody	Zobrazuje verzi metody měřicího přístroje.
Formátovat paměť	Smaže všechna data měřicího přístroje. Poznámka: Všechna data měřicího přístroje (např. konfigurace měřicího přístroje, ID pracovišť, ID operátorů, trasy, poznámky, šablony a další) budou v případě provedení příkazu Formátovat paměť ztracena.

Kapitola 12 Náhradní díly a příslušenství

⚠ VAROVÁNÍ



Nebezpečí poranění osob. Použití neschválených součástí může způsobit poranění osob, poškození nebo nesprávné fungování přístroje či vybavení. Náhradní díly v tomto oddíle jsou schváleny výrobcem.

Poznámka: Čísla produktů a položek se mohou v různých regionech prodeje lišit. Obratě se na příslušného distributora, kontaktní informace naleznete na webových stránkách společnosti.

Viz část Náhradní díly a příslušenství v rozšířené verzi návodu.

Indholdsfortegnelse

- 1 [Online brugervejledning](#) på side 148
- 2 [Specifikationer](#) på side 148
- 3 [Generelle oplysninger](#) på side 149
- 4 [Installation](#) på side 151
- 5 [Brugergrænseflade og navigation](#) på side 153
- 6 [Opstart](#) på side 155
- 7 [Standardbetjening](#) på side 156
- 8 [Kalibrering](#) på side 160
- 9 [Datalog](#) på side 161
- 10 [Vedligeholdelse](#) på side 162
- 11 [Fejlsøgning](#) på side 165
- 12 [Reserve dele og tilbehør](#) på side 167

Sektion 1 Online brugervejledning

Denne grundlæggende brugervejledning indeholder færre oplysninger end den brugervejledning, som findes på producentens hjemmeside.

Sektion 2 Specifikationer

Specifikationerne kan ændres uden varsel.

Specifikation	Detaljer
Dimensioner (B x D x H)	13.08 x 5.89 x 25.83 cm (5.15 x 2.32 x 10.17")
Kapslingsklasse	IP64 med dæksler installeret for meterets probestik eller prober tilsluttet til instrumentet
Vægt	1.2 kg (2.7 lb)
Strømkrav (internt)	Genopladeligt litiumionbatteri, 7.4V, 5.0Ah (5000mAh)
Strømforsyning (ekstern)	100 V–240 V AC, 50/60 Hz indgang, 12 V ved 3 A udgang
Driftstemperatur (udledning af)	5 til 50 °C (41 til 122 °F), maksimum 85 % relativ fugtighed (ikke-kondenserende)
Opladningstemperatur	5 til 45 °C (41 til 113 °F), maksimum 85 % relativ fugtighed (ikke-kondenserende)
Opbevaringstemperatur	–20 til 60 °C (–4 to 140 °F), maksimum 85 % relativ fugtighed (ikke-kondenserende)
Grænseflade	Mini USB-port
Indgangsstik med 5 ben	To M12 stik til IntelliCal prober
Stik til ekstern strømforsyning	2,5 mm jack-stik
Chemkey slots	4
Datahukommelse	1000 målte værdier (resultat, dato, klokkeslæt, anlægs-id, bruger-id)
Datalogring	Automatisk i målingstilstanden Tryk for at læse. Manuelt i målingstilstanden Kontinuerlig
Temperaturkorrektion (for IntelliCal™ prober)	Fra, automatisk og manuel (parameterafhængig)
Lås af måling i display (for IntelliCal™ prober)	Måletilstande Tryk for at læse og Kontinuerlig
Beskyttelsesklasse	III
Certificeringer	CE, UKCA, FCC, ISED, RCM, KC
Garanti	1 år

Sektion 3 Generelle oplysninger

Producenten kan under ingen omstændigheder gøres ansvarlig for skade som følge af forkert brug af produkter eller manglende overholdelse af foreskrifterne i brugsvejledningen. Producenten forbeholder sig ret til når som helst at foretage ændringer i denne manual og de beskrevne produkter uden varsel eller forpligtelser. Reviderede udgaver kan findes på producentens webside.

3.1 Sikkerhedsoplysninger

Producenten er ikke ansvarlig for eventuelle skader på grund af forkert anvendelse eller misbrug af dette produkt, herunder uden begrænsning direkte skader, hændelige skader eller følgeskader, og fraskriver sig ansvaret for sådanne skader i det fulde omfang, som tillades ifølge gældende lov. Kun brugeren er ansvarlig for at identificere alvorlige risici ved anvendelsen og installere relevante mekanismer til beskyttelse af processerne i forbindelse med en eventuel fejl på udstyret.

Læs hele manualen inden udpakning, installation eller betjening af dette udstyr. Overhold alle sikkerhedshenvisninger og advarsler. Undladelse heraf kan medføre, at brugeren kommer alvorligt til skade, eller det kan medføre beskadigelse af analysatoren.

Kontroller, at den beskyttelse, som dette udstyr giver, ikke forringes. Du må ikke bruge eller installere dette udstyr på nogen anden måde end den, der er angivet i denne manual.

3.1.1 Brug af sikkerhedsoplysninger

▲ FARE

Angiver en eventuel eller overhængende farlig situation, der vil medføre dødsfald eller alvorlige kvæstelser, hvis den ikke undgås.

▲ ADVARSEL

Angiver en potentiel eller umiddelbart farlig situation, som kan resultere i død eller alvorlig tilskadekomst, hvis den ikke undgås.

▲ FORSIGTIG



Indikerer en potentiel farlig situation, der kan resultere i mindre eller moderat tilskadekomst.

BEMÆRKNING

Angiver en situation, der kan medføre skade på instrumentet, hvis ikke den undgås. Oplysninger, der er særligt vigtige.

3.1.2 Sikkerhedsmærkater

Læs alle skilte og mærkater, som er placeret på apparatet. Der kan opstå person- eller instrumentskade, hvis forholdsreglerne ikke respekteres. I håndbogen refereres der til et symbol på instrumentet med en forholdsregelklæring.

	Hvis dette symbol findes på instrumentet, henviser det til instruktionsmanualen vedrørende drifts- og/eller sikkerhedsoplysninger.
	Elektrisk udstyr mærket med dette symbol må, i Europa, ikke bortskaffes i sammen med husholdningsaffald eller offentligt affald. Returner gammelt eller udjent udstyr til producenten til bortskaffelse uden gebyr.

3.1.3 Certificering

EN 55011/CISPR 11 notifikationsadvarsel

Dette er et klasse A produkt. I hjemlige omgivelser kan dette produkt forårsage radiointerferens hvorfor det er brugerens ansvar at tage fornødne tiltag.

Canadian Radio Interference-Causing Equipment Regulation, IECS-003, Klasse A:

Producenten opbevarer understøttende testfortegnelser.

Dette Klasse A digitale apparat opfylder alle krav i the Canadian Interference-Causing Equipment Regulations.

Cet appareil numérique de classe A répond à toutes les exigences de la réglementation canadienne sur les équipements provoquant des interférences.

FCC del 15, klasse "A" grænser

Producenten opbevarer understøttende testfortegnelser. Enheden overholder Afs. 15 i FCC's regelsæt. Anvendelsen er underlagt følgende betingelser:

1. Udstyret må ikke forårsage skadelig interferens.
2. Udstyret skal acceptere modtaget interferens, hvilket omfatter interferens, der kan forårsage uønsket drift.

Ændringer og modifikationer af dette udstyr, som ikke er udtrykkeligt godkendt af den part, som er ansvarlig for overholdelsen, kan ophæve brugerens ret til at betjene udstyret. Dette udstyr er blevet testet og overholder grænserne for Klasse A digitalt udstyr i overensstemmelse med Afs. 15 af FCC's regelsæt. Disse grænser er udformet til at yde rimelig beskyttelse mod skadelig interferens, når udstyret betjenes i et kommercielt miljø. Dette udstyr genererer, bruger og kan udsende radiofrekvensenergi og kan, hvis det ikke installeres og anvendes i overensstemmelse med brugervejledningen, forårsage skadelige interferens for radiokommunikationer. Anvendelse af dette udstyr i et beboelsesområde vil sandsynligvis forårsage skadelig interferens, i hvilket tilfælde brugeren skal udbedre interferensen for egen regning. Følgende teknikker kan anvendes til at reducere problemer med interferens:

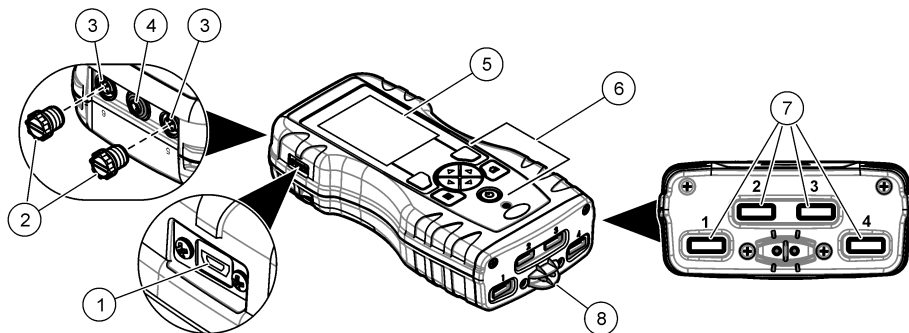
1. Afbryd udstyret fra strømkilden for at kontrollere, om det er kilden til interferensen.
2. Hvis udstyret er forbundet til den samme stikkontakt som den enhed der oplever interferensen, skal udstyret forbindes til en anden stikkontakt.
3. Flyt udstyret væk fra den enhed, som modtager interferensen.
4. Indstil modtageantennen på den enhed, der modtager interferens, igen.
5. Prøv kombinationer af ovennævnte.

3.2 Produktoversigt

Den bærbare parallelle analysator SL1000 måler maksimalt seks parametre samtidig i drikkevand og andre anvendelser i rent vand. Metret anvender Chemkeys® og digitale IntelliCAL™ prober til at måle forskellige parametre i vand. Metret identificerer automatisk den type Chemkey, der er installeret, eller den type probe, der er tilsluttet til meteret.

Meteret kan maksimalt anvende fire Chemkeys og to prober til målinger. Se [Figur 1](#).

Figur 1 Produktoversigt



1 Mini USB-port	5 Skærm
2 Dæksel til probestik	6 Tastatur
3 Probestik	7 Chemkey-slots
4 Strømtik	8 Prøvedetektor

3.3 Produktkomponenter

Sørg for, at alle komponenter er modtaget. Se den medfølgende dokumentation. Kontakt producenten eller forhandleren med det samme, hvis der er mangler eller defekte dele i sendingen.

Sektion 4 Installation

▲ ADVARSEL



Flere risici. Kun kvalificeret personale må udføre de opgaver, som er beskrevet i dette afsnit i dokumentet.

4.1 Lithium battery safety

▲ ADVARSEL



Eksplisions- og brandfare. Litiumbatterier kan blive varme, eksplodere eller bryde i brand og forårsage alvorlige personskader, hvis de anvendes forkert.

- Brug ikke batteriet, hvis det har synlige skader.
- Brug ikke batteriet, hvis det har været udsat for kraftige stød eller rystelser.
- Udsæt ikke batteriet for ild.
- Opbevar batteriet ved temperaturer under 60 °C (140 °F).
- Opbevar batteriet et tørt sted, hvor det ikke udsættes for vand.
- Undgå kontakt imellem den positive og den negative batteriterminal.
- Lad ikke uautoriserede personer røre ved batteriet.
- Bortskaf batteriet i henhold til lokale, regionale og nationale forskrifter.
- Brug eller opbevar ikke instrumentet i direkte sollys, nær en varmekilde eller i omgivelser med høje temperaturer, f.eks. et lukket køretøj i direkte sollys.

4.2 Isætning af batterier

⚠ ADVARSEL



Eksplisions- og brandfare. Dette udstyr indeholder et kraftigt litumbatteri, som kan antændes og forårsage brand eller eksplosion, selv når det ikke er tilsluttet. For at opretholde den sikkerhed, som udstyrets kabinet giver, skal alle dækplader være monteret og sikret med den medfølgende hardware.



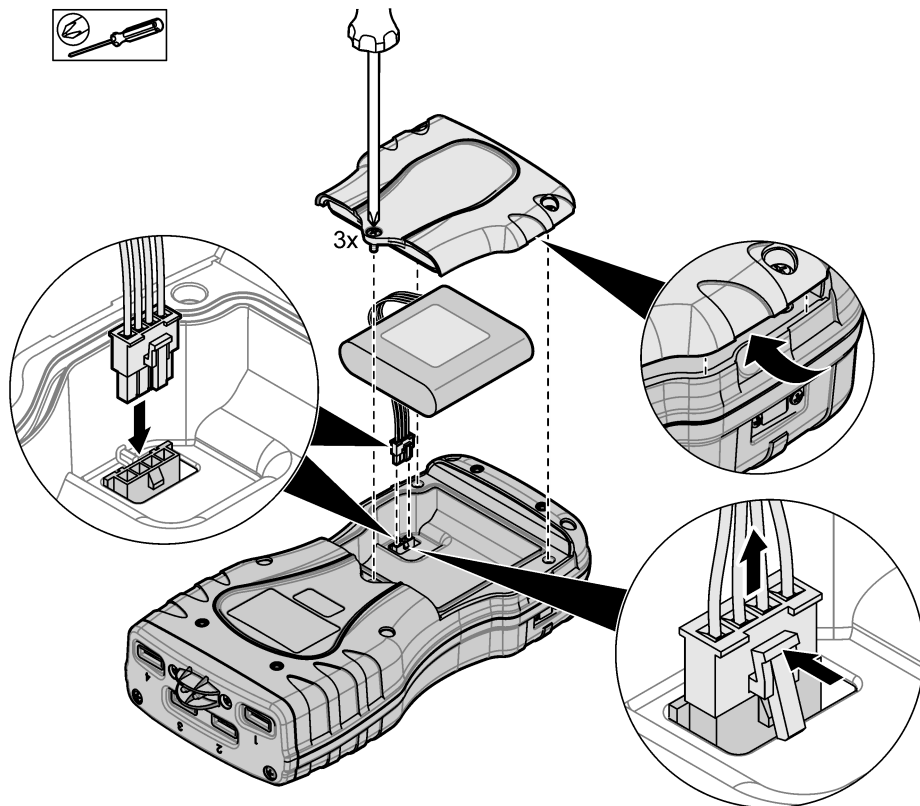
⚠ ADVARSEL



Ekspllosion og brandfare. Batterierstatning er ikke tilladt. Benyt kun de batterier der leveres af instrumentets producent.

Brug kun det genopladelige litium-ion-batteri, der er leveret af producenten. Se [Figur 2](#) for isætning eller fjernelse af batteri.

Figur 2 Isætning og fjernelse af batteri



4.3 Opladning af batteriet

▲ ADVARSEL



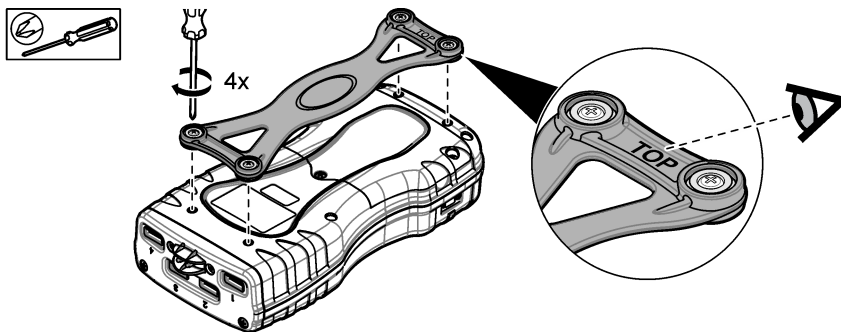
Brandfare. Brug kun en ekstern strømkilde, der er anbefalet til dette instrument.

1. Tilslut den eksterne strømforsyning til en vekselstrømkilde.
2. Tilslut den eksterne strømforsyning til strømstikket på metret. Se [Produktoversigt](#) på side 150.
 - Instrumentet kan betjenes, mens batteriet oplader.
 - Udskiftning af den eksterne strømforsyning er ikke tilladt. Brug kun den eksterne strømforsyning, der er angivet på listen med dele og tilbehør til instrumentet. Se [Reserve dele og tilbehør](#) på side 167.
 - Oplad ikke batteriet i mere end 24 timer.

4.4 Påsætning af håndledsrem

Påsæt håndledsremmen for at sikre måleren. Se [Figur 3](#).

Figur 3 Påsætning af håndledsrem

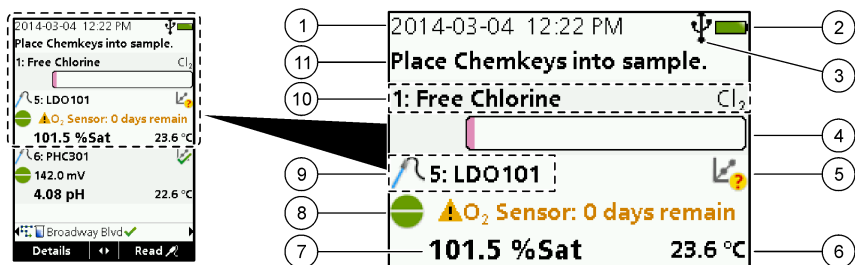


Sektion 5 Brugergrenseflade og navigation

5.1 Skærmbeskrivelse

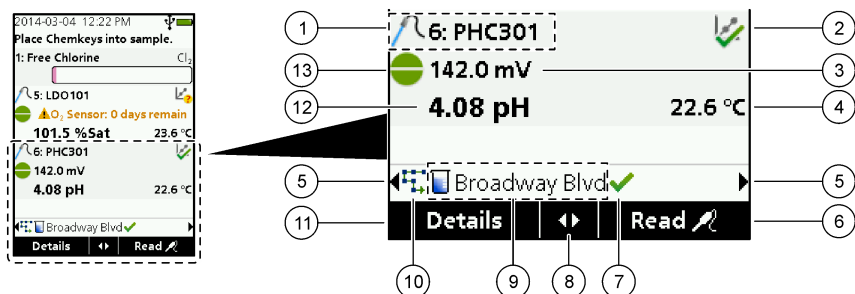
Se [Figur 4](#) og [Figur 5](#) for beskrivelse af skærbilledet for måling.

Figur 4 Skærbillede for måling (øverste del)



1 Dato og tidspunkt	7 Primær måleværdi (brugerangivet parameter)
2 Batteristatus	8 Stabilitetsikon med advarselsikon og advarselsmeddelelse
3 Ikon for aktiv USB-forbindelse (COM port), når kommunikationsklasse er valgt	9 Probeikon, probestiknummer, parameter eller probenavn
4 Statusbjælke (måling ikke fuldført)	10 Slotnummer, parameternavn og kemisk symbol
5 Statusikon for kalibrering (kalibrering ikke fuldført)	11 Vigtig meddelelse for enheder (efterfulgt af en fejlmeldelse og derefter en advarselsmeddelelse)
6 Sekundær måling (brugerangivet parameter)	

Figur 5 Skærbillede for måling (nederst del)

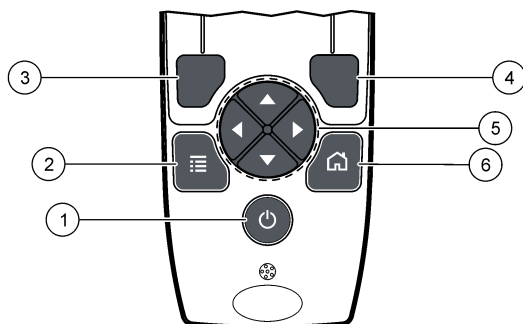


1 Probeikon, probestiknummer, parameter eller probenavn	8 Aktive piletaster
2 Statusikon for kalibrering (kalibrering korrekt)	9 Prøve-id-ikon og anlægsnavn
3 Sekundær målingsværdi (brugerangivet parameter)	10 Ikon for ruter (viser, når ruter er aktiveret)
4 Tertiær målingsværdi (brugerangivet parameter)	11 Indstillinger (menubestemt: Detaljer, afslut, annuller, vælg, fravælg)
5 Højre og venstre piletast til valg af relevant prøve-id	12 Primær målingsværdi (valgt af bruger)
6 Indstillinger (Læs, vælg, OK, slet)	13 Stabilitetsikon
7 Flueben: Fuldført måling på stedet	

5.2 Beskrivelse af tastatur

Se [Figur 6](#) for tastaturbeskrivelse og navigeringsinformation.

Figur 6 Beskrivelse af tastatur



1 Tænd/sluk knap	4 HØJRE valgtast (menubestemt): Læs, slet, vælg eller bekræft indstillinger, åbner undermenuer
2 Hovedmenutast: Vælg verifikation, kalibrering, ruter, indstillinger, datalog, oplysninger, diagnostik, operatør-id og prøve-id	5 Navigationstaster OP, NED, HØJRE, VENSTRE ¹ : Rul igennem menuer, indtast tal og bogstaver.
3 VENSTRE valgtast (menubestemt): Detaljer, vælg/fravælg, adgang til funktioner, annullerer eller afslutter det aktuelle menuskærbillede og vender tilbage til den forrige.	6 HJEM: Gå til hovedskærmen for måling.

Sektion 6 Opstart

6.1 Slå strømmen til

Tryk på **TÆND-/SLUK** knappen for at tænde eller slukke meteret. Hvis meteret ikke tænder, skal du kontrollere, at batteriet er korrekt sat i.

6.2 Ændring af sprog

Vælg displaysprog, når meteret tændes for første gang. Skift sprog fra menuen **Indstillinger**.

1. Tryk på **Indstillinger>Sprog**.
2. Vælg det relevante sprog.

6.3 Ændring af dato og tid

Der er to muligheder for at indstille formatet for dato og klokkeslæt:

- Indstil datoen og klokkeslættet, når meteret tændes for første gang.
- Indstil datoen og klokkeslættet fra menuen Dato & klokkeslæt.

1. Vælg **Indstillinger>Meter>Dato & klokkeslæt**.
2. Brug piletasterne til at vælge formatet for dato og klokkeslæt, og indtast derefter klokkeslæt og dato.
Dato og klokkeslæt vises på skærmen og på de loggede måledata.

¹ OP, NED: Rul igennem målinger, hvis der er flere end fire målinger, HØJRE, VENSTRE: Rul igennem operatør- og prøve-id'er.

Sektion 7 Standardbetjening

7.1 Brug af et operatør-ID

Operatør-id'et benytter målinger til en individuel operatør. Alle gemte data vil indeholde operatør-id'et. Brug webprogrammet "tool.htm" til nem administration af operatør-id'er. Se producentens websted for at få flere oplysninger.

1. Tryk på **Hovedmenu>Operatør-ID**.
2. Vælg en funktion.

Valgmulighed	Beskrivelse
Tilstand	Slå operatør-id-funktionen til eller fra (standard).
Vælg	Vælg et ID fra en liste. Det aktuelle ID vil blive knyttet til prøvedata, indtil der vælges et andet ID. Brug OP- og NED-piletasterne til at vælge et operatør-id på startskærbilledet. Det er muligt at vælge operatør-id'et på skærmen, får en Chemkey er i slotten, eller en probe er tilsluttet.
Opret	Indtast et navn til et nyt operatør-ID.
Sletning	Slet et eksisterende prøve-ID.

7.2 Brug af anlægs-id

Vælg det anlægs-id tag, der skal tilknytte målinger til en bestemt prøve eller lokalitet. Hvis det tildeles, vil gemte data inkludere dette ID. Brug webprogrammet "tool.htm" til nem administration af anlægs-id'er. Se producentens websted for at få flere oplysninger.

1. Tryk på **Hovedmenu>Anlægs-id**.
2. Vælg en funktion.

Funktion	Beskrivelse
Tilstand	Indstil funktionen Anlægs-id til manuel, automatisk, fra eller ruter. Manuel —Vælg et anlægs-id manuelt. Auto —Prøverne er nummereret i rækkefølge for hver måling, til der vælges et andet id. Fra —Funktionen anlægs-id slås fra (standard). Ruter —Leverer et bestilt undersæt af den komplette liste over anlægs-id.
Vælg	Vælg et ID fra en liste. Det aktuelle ID vil blive tilknyttet til prøvedataene, til der indlæses et andet ID. Indstil Anlægs-id>Vis til Ja. Brug HØJRE eller VENSTRE pile tast for at vælge det aktuelle anlægs-id på skærbilledet. Sørg for, at Anlægs-id>Vis er indstillet til Ja, og at mindst én Chemkey er isat i slotten, eller én probe er tilsluttet.
Opret	Tilføj et nyt anlægs-id.
Slet	Slet eksisterende anlægs-id BEMÆRK: Sørg for at vælge tilstanden Manuel for at slette et anlægs-id.
Vis	Viser anlægs-id'et på skærbilledet for måling. Slå til eller fra
Ruter	Leverer en bestilt liste over anlægs-id'er. Hvis der er valgt en rute, vises anlægs-id'er automatisk på skærbilledet og optages. Tryk på HØJRE pile tast for at vælge den næste lokalitet. Brug webprogrammet "tool.htm" til opsætning af ruterne. Se producentens websted for at få flere oplysninger.
Noter	Optag særlige oplysninger og tilføj disse oplysninger til en hændelseslog.

7.3 Fuldfør Chemkey målinger

BEMÆRKNING

Start ikke en ny Chemkey måling, når andre Chemkey målinger endnu ikke er fuldført. Placer kun metret én gang i prøven for en Chemkey måling.

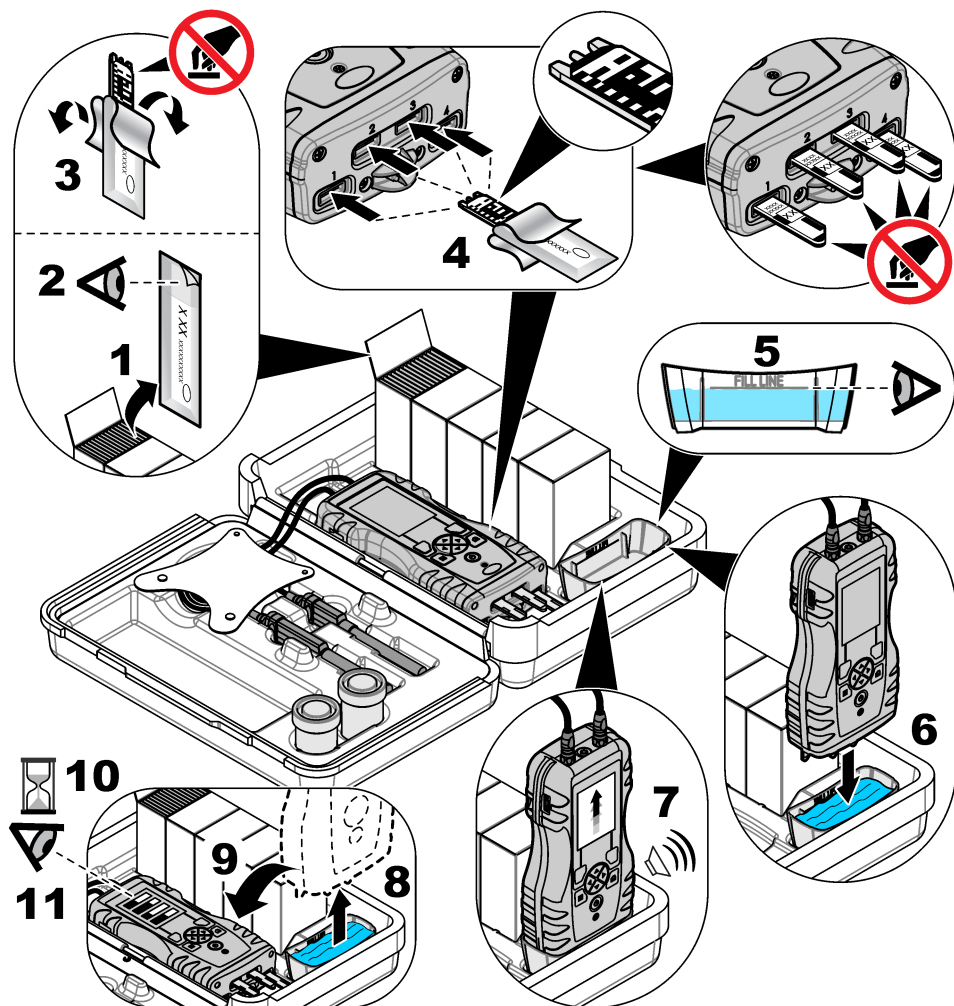
For at fuldføre en måling med Chemkey(s) skal du udføre følgende procedure. Se [Figur 7](#). Der kan fuldføres flere probemålinger samtidig. Se [Fuldfør probemålingerne](#) på side 159.

1. Slå strømmen til metret.
2. Hvis fuldstændig sporbarhed er nødvendig, skal du angive et prøve-id og et operatør-id, før målingen foretages. Se i [Brug af et operatør-ID](#) på side 156 og [Brug af anlægs-id](#) på side 156.
3. Skub de(n) relevante Chemkey(s) helt ind i slotten(e) 1 til 4 med én bevægelse. Sørg for altid at bruge en ny Chemkey for hver måling. Det er vigtigt at skubbe Chemkey'en helt i bund. Når en Chemkey er i en slot, må Chemkey'en ikke flyttes eller berøres.²
4. Skyl prøvebægeret med prøven.
5. Fyld prøvebægeret til opfyldningslinjen med prøven.
6. Placér metret i prøvebægeret.
7. Vent på alarmen og/eller animationen for fjernelse af meteret (inden for 1 til 2 sekunder), og fjern derefter med det samme meteret fra prøvebægeret. Læg meteret tilbage i etuiet og vent indtil målingen er fuldført. Parametrene har forskellige reaktionstider. Skærmen viser en statusbjælke med den resterende tid, til målingen er fuldført.
8. Måleværdierne vises på skærmen.

BEMÆRK: Hvis der vises en fejl, skal du trykke på **Detaljer** for at få flere oplysninger.

² En monokloramin Chemkey og en fri ammoniak Chemkey er begge nødvendige for at foretage en måling af fri ammoniak.

Figur 7 Chemkey prøvemåling



7.4 Tilslut en probe

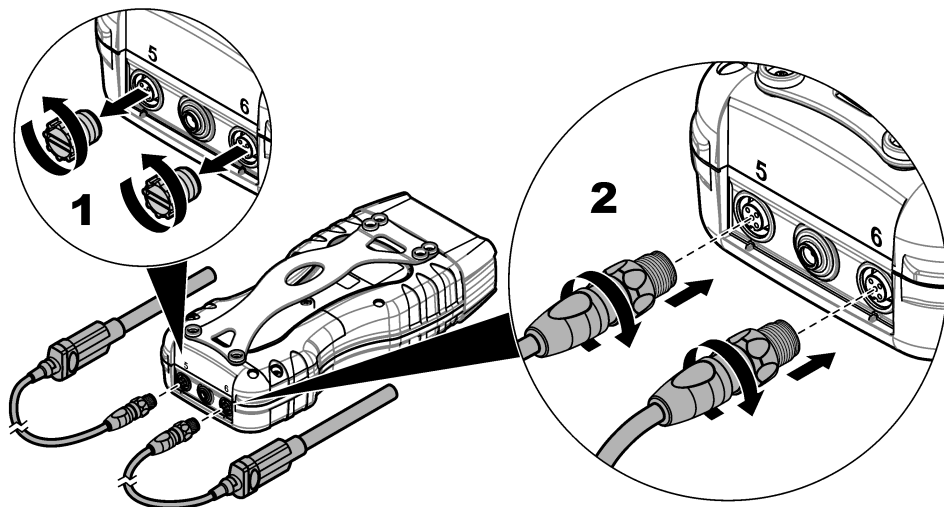
BEMÆRKNING

Smid ikke dækslerne til probestikkerne væk. Sørg for, at dækslet til probesticket er installeret, når ingen probe er tilsluttet.

Kontrollér, at den aktuelle tid og dato vises på skærmen, og tilslut derefter proben til metret. Se [Figur 8](#).

BEMÆRK: En probes tidsstempel indstilles, når proben sluttes til instrumentet første gang. Tidsstempelt gør det muligt at registrere probehistorikken og registrere det tidspunkt, hvor målingerne blev foretaget.

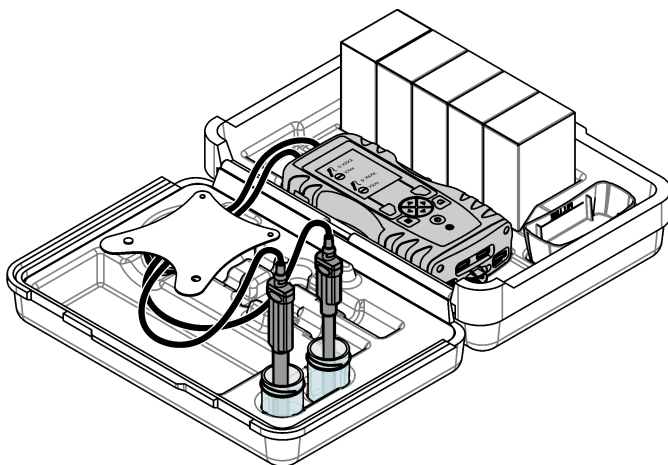
Figur 8 Probestorbindinger



7.5 Fuldfør probemålingerne

Udfør følgende procedure for at fuldføre en måling med probe(r). Se [Figur 9](#). Der kan fuldføres flere Chemkey målinger samtidig. Se [Fuldfør Chemkey målinger](#) på side 156.

1. Kalibrer proben før første anvendelse. Se [Kalibrer proben](#) på side 160.
BEMÆRK: For at opnå den bedste nøjagtighed skal proben kalibreres dagligt.
2. Indstil dato og klokkeslæt i meteret, før proben tilsluttes. Se [Ændring af dato og tid](#) på side 155. Proben skal have den korrekte dato- og tidsmærkning.
3. Hvis fuldstændig sporbarhed er nødvendig, skal du angive et prøve-id og et operatør-id før målingen foretages. Se i [Brug af et operatør-ID](#) på side 156 og [Brug af anlægs-id](#) på side 156.
4. Fjern dækslerne til probestikkene, og tilslut proberne. Se [Figur 8](#) på side 159 for probetilslutning.
BEMÆRK: Smid ikke dækslerne til probestikkene væk. Installer dækslerne til probestikkene igen, når der ikke er tilsluttet en probe.
5. Skyl prøveflaskerne med prøve.
6. Fyld prøveflaskerne med prøve, så sensoren er fuldt nedsænket i prøven.
7. Placer proberne i prøveflaskerne, og tryk på **Læs**, hvis måletilstanden er indstillet til **Tryk for at læse**. Se probens dokumentation for at få flere oplysninger.
8. Målingsværdierne vises på skærmen.




Sektion 8 Kalibrering

▲ FORSIGTIG



Fare for eksponering for kemiske stoffer. Overhold laboratoriets sikkerhedsprocedurer, og bær alt det personlige beskyttelsesudstyr, der er nødvendigt for at beskytte dig mod de kemikalier, du bruger. Se de aktuelle sikkerhedsdataark (MSDS/SDS) for sikkerhedsprotokoller.

8.1 Kalibrer proben

De enkelte prober bruger forskellige typer kalibreringsopløsning. Sørg for at kalibrere proberne hyppigt for at opretholde den optimale nøjagtighed. Meteret viser kalibrerings status. Hvis kalibreringen ikke er korrekt, vises kalibreringsikonet med spørgsmålstegnet , indtil proben er kalibreret korrekt. Når kalibreringen er korrekt, vises kalibreringsikonet med det grønne flueben. I de dokumenter, der følger med hver probe, findes en trinvis vejledning. Se producentens websted for at få flere oplysninger.

1. Tilslut en probe.
2. Tryk på **Hovedmenu>Kalibrer** for at starte en kalibrering.
3. Vælg den relevante probe, hvis der er tilsluttet mere end én til instrumentet.
BEMÆRK: Hvis der kun er tilsluttet én probe, vises dette trin ikke.
4. Udfør de instruktioner, der vises på skærmen for at kalibrere proben.
BEMÆRK: For en ISE-probe, tryk på HØJRE pil for at gå til en næste kalibreringsstandard efter behov. Mål standarder fra lave koncentrationer til høje koncentrationer.
5. Hvis det er nødvendigt, skal du udføre en verifikation. Se [Verifikation af probe](#) på side 161.

8.2 Fabrikskalibrering

Producenten anbefaler, at der årligt udføres en fuldstændig fabrikskalibrering for at sikre, at systemet fungerer efter hensigten. Kontakt venligst det Hach-servicecenter, som betjener din geografiske placering.

8.3 Kalibrer metret til en specifik Chemkey parameter

Hver Chemkey har en forskellig kalibreringsopsætning. Se producentens websted for at få flere oplysninger.

1. Skub de relevante Chemkey(s) langsomt, i én bevægelse, ind i slotten(e) 1 til 4.
2. Tryk på **Hovedmenu>Kalibrer** for at starte en kalibrering.
3. Vælg den relevante Chemkey.
4. Angiv den relevante standardjusteringsværdi.
5. Udfør de instruktioner, der vises på skærmen, for at kalibrere Chemkey.
6. Hvis det er nødvendigt, skal du udføre en verifikation. Se [Chemkey verifikation](#) på side 161.

8.4 Verifikation af probe

1. Tryk på **Hovedmenu>Verifikation** for at starte en verifikation.
2. Vælg den relevante enhed.
3. Udfør de instruktioner, der vises på skærmen, for at udføre verifikationen.

BEMÆRK: For at ændre den standard, der anvendes til verifikation, tryk på **Hovedmenu>Indstillinger>Probe>[Vælg probe]>Verifikationsindstillinger>Standard**.

8.5 Chemkey verifikation

Der er to muligheder for at fuldføre en Chemkey verifikation. Brug en parameterspecifik Chemkey eller en sysemverifikation Chemkey til verifikationen. Se [Reserve dele og tilbehør](#) på side 167.

• Parameterspecifik Chemkey:

1. Skub den parameterspecifikke Chemkey langsomt, i én bevægelse, ind i slotten(e) 1 til 4.
2. Tryk derefter på **Hovedmenu>Verifikation** for at starte verifikationen.
3. Fuldfør den menu guidede proces.

• Systemverifikation Chemkey:

1. Tryk på **Hovedmenu>Verifikation** for at starte en verifikation.
2. Skub derefter den valgte systemverifikation Chemkey langsomt, i én bevægelse, ind i den første slot.
3. Fuldfør den menu guidede proces.

Sektion 9 Datalog

Dataloggen viser alle gemte målinger.

1. Tryk på **Hovedmenu>Datalog**.
2. Vælg en funktion.

Valgmulighed	Beskrivelse
Alle logger efter dato	Viser resultater for prøvemåling: Probenavn, probeserienummer, værdi, enhed, temperatur, klokkeslæt, dato, bemærkninger, operatør-id, anlægs-id og kalibreringsoplysninger. Den seneste måling vises på displayet. Tryk på VENSTRE piletast for at se de tidligere målinger.
Aktuel kal. på probe	Viser kalibreringsoplysninger for den seneste kalibrering. Hvis brugeren ikke har kalibreret proben, vises data fra fabrikkalibreringen.
Kal. historik på probe	Viser en liste med dato og tid, hvor proben blev kalibreret. Vælg en dato og et klokkeslæt for at se et resume af kalibreringsdataene.
Slet datalog	Sletter alle data på metret med det samme. Enhedens data bevares.

9.1 Importér data til Excel

▲ ADVARSEL



Fare for elektrisk stød. Ekstremt forbundet udstyr skal have en gældende godkendelse i henhold til det pågældende lands sikkerhedsstandard.

Meteret gemmer dataloggen i et XML-format. Prøve-id, rækkefølge, dato og klokkeslæt, parameter, målt værdi, enheder, operatør-id, slot nr., Chemkey-partikode og meterets serienummer kan gemmes i et Excel-ark.

1. Slå strømmen til metret.
2. Tilslut meteret til computeren ved hjælp af USB-kablet. Meteret vises som et drev, "Hach Portable Parallel Analysis", på computeren.
3. Åbn mappen "DataTemplate" fra drevet.
4. Åbn filen "LogTemplate.xlsx".
5. Højreklik på cellen "A2", og vælg XML>Importér.
6. Vælg alle logfiler fra mappen "Data" på drevet "Hach Portable Parallel Analysis".
7. Klik på **Importér**.
Dataloggen vises i Excel-arket.
8. Gem filen på computeren eller på et USB-flashdrev, hvis det er nødvendigt.
9. Sikker fjernelse af meteret fra computeren. Klik på ikonet med den grønne pil "Sikker fjernelse af hardware og udskubning af medier" på proceslinjen.
BEMÆRK: Nogle ikoner kan findes under "Vis skjulte ikoner" på proceslinjen.
10. Frakobl USB-kablet fra meteret.

9.2 Få vist data i en webbrowser

For at få vist dataloggen i en webbrowser skal du udføre følgende trin. Prøve-id, rækkefølge, dato og klokkeslæt, parameter, målt værdi, enheder, operatør-id, slot nr., Chemkey-partikode og meterets serienummer vises i den valgte webbrowser.

1. Slå strømmen til metret.
2. Tilslut meteret til computeren ved hjælp af USB-kablet. Meteret vises som et drev, "Hach Portable Parallel Analysis", på computeren.
3. Åbn mappen "Data" fra drevet.
4. Åbn en datalogfil.
 - Åbn "LogNN.XML" (NN = cifre fra 0 til 9) i en hvilken som helst browser.
 - Fra webbrowseren skal du klikke på **Filer>Åbn menu** og gå til mappen "Data".
5. Gem filen på computeren eller på et USB-flashdrev, hvis det er nødvendigt.
6. Sikker fjernelse af meteret fra computeren. Klik på ikonet med den grønne pil "Sikker fjernelse af hardware og udskubning af medier" på proceslinjen.
BEMÆRK: Nogle ikoner kan findes under "Vis skjulte ikoner" på proceslinjen.
7. Frakobl USB-kablet fra metret.

Sektion 10 Vedligeholdelse

▲ ADVARSEL



Flere risici. Kun kvalificeret personale må udføre de opgaver, som er beskrevet i dette afsnit i dokumentet.

▲ FORSIGTIG



Fare for eksponering for kemiske stoffer. Overhold laboratoriets sikkerhedsprocedurer, og bær alt det personlige beskyttelsesudstyr, der er nødvendigt for at beskytte dig mod de kemikalier, du bruger. Se de aktuelle sikkerhedsdataark (MSDS/SDS) for sikkerhedsprotokoller.

▲ FORSIGTIG



Fare for eksponering for kemiske stoffer. Bortskaf kemikalier og spildevand i overensstemmelse med lokale, regionale og nationale bestemmelser.

10.1 Rengøring af spild

▲ FORSIGTIG



Fare for eksponering for kemiske stoffer. Bortskaf kemikalier og spildevand i overensstemmelse med lokale, regionale og nationale bestemmelser.

1. Følg alle facilitetens sikkerhedsprotokoller for spildkontrol.
2. Bortskaf spildet i overensstemmelse med gældende bestemmelser.

10.2 Rengør instrumentet

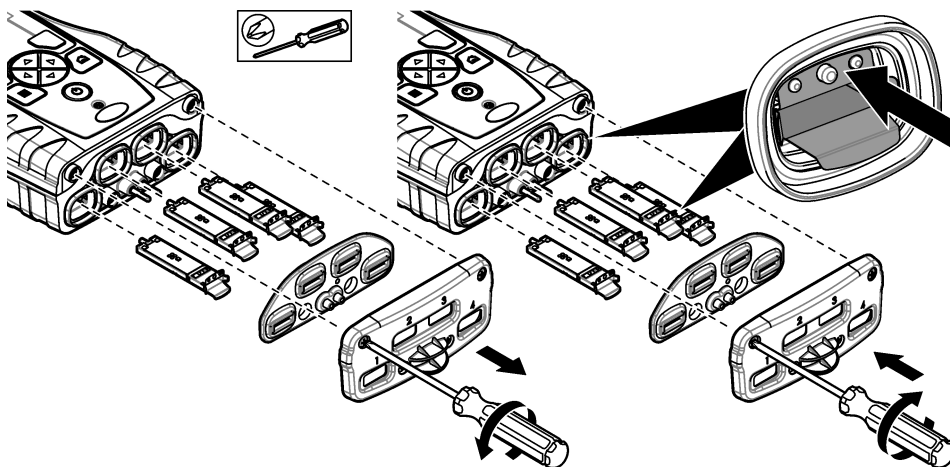
Rengør instrumentet udvendigt med en fugtig klud og en mild sæbeopløsning, og tør derefter instrumentet efter behov.

10.3 Rengøring eller udskiftning af dele

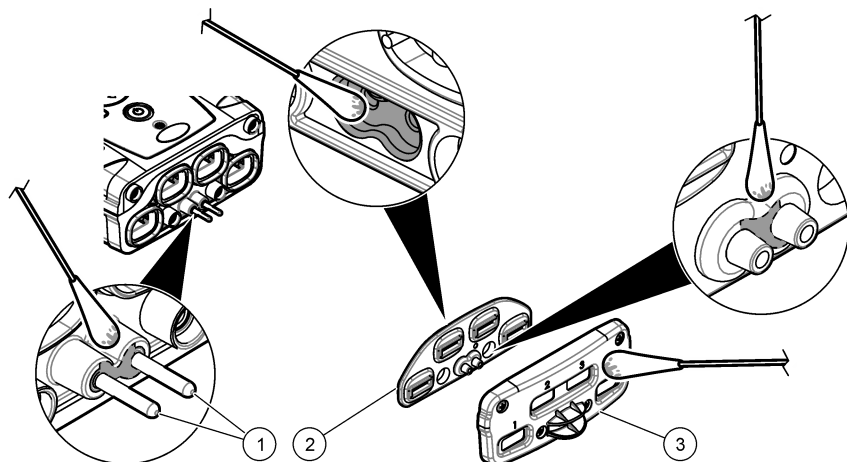
For visse fejl og advarsler er det påkrævet at rengøre Chemkey slots, de optiske vinduer, strekcodevinduet eller prøvedetektoren eller at udskifte bakkerne. Brug isopropylalkohol til rengøring af delene. Brug vand og et mildt rengøringsmiddel til rengøring af lysafsikærmningen. Sørg for kun at bevæge vatpinden til påføring i én retning. Se [Figur 10](#) for at fjerne adgangsdækslet til optik, lysafsikærmningen og bakkerne. Se [Figur 11](#) og [Figur 12](#) for at få vist den detaljerede rengøringsprocedure.

Ting, der skal anskaffes: Vatpind til påføring, isopropylalkohol, vand og et mildt rengøringsmiddel

Figur 10 Fjernelse og montering af dele

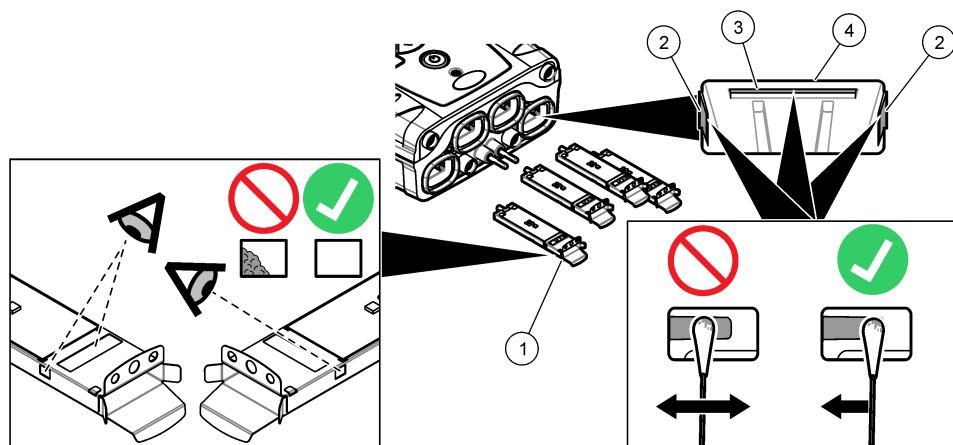


Figur 11 Rengør prøvedetektor, lysafskærmning og adgangsdsæksel



1 Prøvedetektor	3 Adgangsdsæksel til optik
2 Lysafskærmning	

Figur 12 Rengøring af bakker og Chemkey slots



1 Bakke	3 Stregkodevindue
2 Optisk vindue	4 Chemkey slot

10.4 Opladning eller udskiftning af batteriet

Oplad batteriet, når batteristørmniveaueu er lavt. Udskift batteriet, når batteriet ikke kan oplades. Brug kun den type batteri, der medfølger fra producenten. Se i [Isætning af batterier](#) på side 152 og [Reserveede og tilbehør](#) på side 167.

10.5 Klargøring til forsendelse

BEMÆRKNING

Fare for beskadigelse af udstyret. Dræn alt vand fra enheden før forsendelse for at forhindre beskadigelse ved frostgrader.

Kontakt teknisk support for at få instruktioner, før instrumentet sendes til producenten.

- Rengør og desinficer instrumentet før forsendelse.
- Send instrumentet med batteriet isat i metret, men sørg for, at batteriet ikke er tilsluttet til stikket.
- Frakobl proberne, og fjern Chemkeys før forsendelse.
- Send instrumentet i den oprindelige emballage, eller send instrumentet i en alternativ sikker emballage.

Sektion 11 Fejlsøgning

Fejl/Advarsel	Mulig årsag	Løsning
Læsefejl strekcode Genindsæt Chemkey(s)	Chemkey fungerer ikke korrekt. Chemkey er ikke installeret korrekt.	<ul style="list-style-type: none">• Placer Chemkey i slotten igen.• Brug en ny Chemkey.• Rengør strekcodevinduet. Se Figur 12 på side 164.• Hvis problemet ikke løses, kontaktes teknisk support.
Prøvesugningsfejl. Chemkey lækkede. Prøv en anden	Chemkey fungerer ikke korrekt. Chemkey er ikke fuldt skubbet ind i slotten.	Brug en ny Chemkey, og sørg for at skubbe Chemkey hele vejen ind i slotten. Hvis problemet ikke løses, kontaktes teknisk support.
Chemkey udløbet	Tidsrummet for Chemkey er udløbet.	
Målingsfejl (1–4)	Der opstod en målingsfejl i den angivne slot.	
Parameteret understøttes ikke	Parameteret er ikke tilgængeligt i den installerede instrumentsoftware.	Opgrader instrumentsoftware. Søg efter "SL1000" på www.hach.com . Gå til afsnittet Downloads>Software/Firmware, og følg anvisningerne på hjemmesiden.
Anvendt Chemkey - Udskift	Chemkey er allerede blevet brugt, eller der er vand i slotten.	Brug en ny Chemkey. Hvis problemet stadig forekommer, skal du tørre stikket og instrumentet og prøve igen. Hvis problemet ikke løses, kontaktes teknisk support.
Bakke lækkede. Udskift bakke.	Der opstod et problem med den målte bakke.	Udskift bakken. Se Figur 10 på side 163. Hvis problemet ikke løses, kontaktes teknisk support.
Varmerfejl Udskift bakke	Bakken fungerer ikke korrekt.	
Fjern fra prøve.	Meteret blev placeret i prøven, før meteret var klar.	Vent, indtil meteret er klar til at blive placeret i prøven.
Prøve fjernet for tidligt		Placer en anden Chemkey i slotten. Vent, indtil meteret er klar til at blive placeret i prøven.

Fejl/Advarsel	Mulig årsag	Løsning
For meget tid i prøve	Chemkeys blev efterladt i prøven for længe. Der opstod en målingsfejl.	Fjern Chemkeys med det samme, når du bliver bedt om det.
	Området med prøvedetektorens stikken er beskidt, hvis advarslen vises, når meteret ikke er placeret i prøven.	Rengør området med prøvedetektorens stikken. Se Rengøring eller udskiftning af dele på side 163. Hvis problemet ikke løses, kontaktes teknisk support.
Over område	Koncentrationen overstiger den øvre grænse for den aktuelle metode.	Fortynd prøven, og udfør målingen igen.
Under område	Koncentrationen er lavere end nedre grænse for den aktuelle metode.	—
Bakken for kold.	Meteret er muligvis for koldt til at opvarme bakken, eller varmeren fungerer ikke.	Flyt meteret til varmere omgivelser, og udfør målingen igen. Udskift bakken.
Bakken for varm.	Meteret er for varmt til at foretage en korrekt måling.	Sørg for at køle meteret ned, eller flyt meteret væk fra de varme omgivelser.
For meget omgivende lys. Isæt Chemkey i mørkere omgivelser	Lyset i omgivelserne er for stærkt til, at strekkoden kan læses.	Flyt meteret til mørkere omgivelser, og isæt Chemkey i slotten igen.
Lav lysniveau. Rengør Chemkey slot.	Chemkey fungerer ikke korrekt. Chemkey er ikke installeret korrekt.	<ul style="list-style-type: none"> Isæt Chemkey i slotten med ét skub. Brug en ny Chemkey. Rengør Chemkey-slotten. Se Figur 12 på side 164. Hvis problemet ikke løses, kontaktes teknisk support.
Instrument kræver service.	Modulfejl.	Brug de moduler, der fungerer korrekt. Kontakt teknisk support for at få repareret det defekte modul.
Prøven blev ikke fundet.	<ul style="list-style-type: none"> Prøvebægeret er ikke fyldt op til opfyldningslinjen. Prøvens konduktivitet er mindre end 2 $\mu\text{S}/\text{cm}$. 	<ul style="list-style-type: none"> Kontrollér, at prøvebægeret er ikke fyldt op til opfyldningslinjen. Kontrollér, at prøvens konduktivitet er mere end 2 $\mu\text{S}/\text{cm}$. Rengør prøvedetektoren. Se Figur 11 på side 164. Hvis problemet ikke løses, kontaktes teknisk support.

11.1 Udfør en diagnostisk kontrol

Diagnostikmenuen viser oplysninger om de aktuelle versioner af meteret og muligheden for at formatere hukommelseskortet.

- Tryk på **Hovedmenu>Diagnostik**.
- Vælg en funktion.

Valgmulighed	Beskrivelse
Harddiskplads	Vis harddiskplads for brugerhukommelsen og for den interne hukommelse.
Konfig. versioner	Vis konfigurationsversioner af meterindstillingerne.

Valgmulighed	Beskrivelse
Metodeversioner	Vis metodeversioner for meteret.
Formatér hukommelse	Slet alle meterdata. BEMÆRK: Alle meterdata (f.eks., meterkonfiguration, prøve-id, operatør-id, ruter, bemærkninger, skabeloner m.m.) går tabt, når Formatér hukommelse udføres.

Sektion 12 Reservedele og tilbehør

▲ ADVARSEL



Fare for personskade. Anvendelse af ikke-godkendte dele kan medføre personskade, beskadigelse af instrumentet eller fejlfunktion af udstyret. Reservedelene i dette afsnit er godkendt af producenten.

BEMÆRK: Produkt- og varenumre kan variere i visse salgsregioner. Kontakt den relevante distributør, eller se virksomhedens webside for kontaktinformation.

Se reservedele og tilbehør i den udvidede udgave af manualen.

Inhoudsopgave

- | | |
|--|--|
| 1 Online gebruikershandleiding op pagina 168 | 7 Standaardbediening op pagina 176 |
| 2 Specificaties op pagina 168 | 8 Kalibratie op pagina 180 |
| 3 Algemene informatie op pagina 169 | 9 Gegevenslogboek op pagina 181 |
| 4 Installatie op pagina 171 | 10 Onderhoud op pagina 183 |
| 5 Gebruikersinterface en navigatie op pagina 173 | 11 Problemen oplossen op pagina 186 |
| 6 Opstarten op pagina 175 | 12 Reservedelen en accessoires op pagina 188 |

Hoofdstuk 1 Online gebruikershandleiding

Deze basisgebruikershandleiding bevat minder informatie dan de gebruikershandleiding, die beschikbaar is op de website van de fabrikant.

Hoofdstuk 2 Specificaties

Specificaties kunnen zonder kennisgeving vooraf worden gewijzigd.

Specificatie	Gegevens
Afmetingen (B x D x H)	13,08 x 5,89 x 25,83 cm (5,15 x 2,32 x 10,17 inch)
Beschermingsklasse behuizing	IP64 met doppen voor electrodeaansluitpoorten op meter aangebracht of met de elektroden aangesloten op het instrument
Gewicht	1,2 kg (2,7 lb)
Voeding (intern)	Oplaadbare lithium-ionbatterij, 7.4V, 5.0Ah (5000mAh)
Voeding (extern)	ingang 100 V–240 VAC, 50/60 Hz, 12 V op 3 A-uitgang
Bedrijfstemperatuur (ontladend)	5 tot 50 °C (41 tot 122 °F); relatieve vochtigheid maximaal 85% (niet-condenserend)
Oplaattemperatuur	5 tot 45 °C (41 tot 113 °F); relatieve vochtigheid maximaal 85% (niet-condenserend)
Opslagtemperatuur	-20 tot 60 °C (-4 tot 140 °F), relatieve vochtigheid maximaal 85% (niet-condenserend)
Interface	Mini-USB-poort
5-pins ingangconnector	Twee M12-connectoren voor IntelliCal-elektroden
Externe voedingsaansluiting	2,5 mm stekkercontact
Chemkey-sloten	4
Gegevensgeheugen	1000 gemeten waarden (resultaat, datum, tijd, site-id, gebruikers-id)
Gegevensopslag	Automatisch in de meetmodus "drukken om te lezen", Handmatig in de meetmodus "Continu"
Temperatuurcorrectie (voor IntelliCAL™-elektroden)	Uit, automatisch en handmatig (parameterafhankelijk)
Vergrendeling meetscherm (voor IntelliCAL™-elektroden)	Meetmodus Drukken om te lezen en Continu
Beschermingsklasse	III
Certificeringen	CE, UKCA, FCC, ISED, RCM, KC
Garantie	1 jaar

Hoofdstuk 3 Algemene informatie

In geen geval is de fabrikant aansprakelijk voor schade die het gevolg is van onjuist gebruik van het product of het niet opvolgen van de instructies in de handleiding. De fabrikant behoudt het recht om op elk moment, zonder verdere melding of verplichtingen, in deze handleiding en de producten die daarin worden beschreven, wijzigingen door te voeren. Gewijzigde versies zijn beschikbaar op de website van de fabrikant.

3.1 Veiligheidsinformatie

De fabrikant is niet verantwoordelijk voor enige schade door onjuist toepassen of onjuist gebruik van dit product met inbegrip van, zonder beperking, directe, incidentele en gevolgschade, en vrijwaart zich volledig voor dergelijke schade voor zover dit wettelijk is toegestaan. Uitsluitend de gebruiker is verantwoordelijk voor het identificeren van kritische toepassingsrisico's en het installeren van de juiste mechanismen om processen te beschermen bij een mogelijk onjuist functioneren van apparatuur.

Lees deze handleiding voor het uitpakken, installeren of gebruiken van het instrument. Let op alle waarschuwingen. Wanneer u dit niet doet, kan dit leiden tot ernstig persoonlijk letsel of schade aan het instrument.



Controleer voor gebruik of het instrument niet beschadigd is. Het instrument mag op geen andere wijze gebruikt worden dan als in deze handleiding beschreven.

3.1.1 Gebruik van gevareninformatie

▲ GEVAAR
Geeft een potentieel gevaarlijke of dreigende situatie aan die, als deze niet kan worden voorkomen, kan resulteren in dodelijk of ernstig letsel.
▲ WAARSCHUWING
Geeft een potentieel of op handen zijnde gevaarlijke situatie aan, die als deze niet wordt vermeden, kan leiden tot de dood of ernstig letsel.
▲ VOORZICHTIG
Geeft een mogelijk gevaarlijke situatie aan die kan resulteren in minder ernstig letsel of lichte verwondingen.
LET OP
Duidt een situatie aan die (indien niet wordt voorkomen) kan resulteren in beschadiging van het apparaat. Informatie die speciaal moet worden benadrukt.

3.1.2 Waarschuwingslabels

Lees alle labels en etiketten die op het instrument zijn bevestigd. Het niet naleven van deze waarschuwingen kan leiden tot letsel of beschadiging van het instrument. In de handleiding wordt door middel van een veiligheidsvoorschrift uitleg gegeven over een symbool op het instrument.

	Dit symbool, indien op het instrument aangegeven, verwijst naar de handleiding voor bediening en/of veiligheidsinformatie.
	Elektrische apparatuur gemarkeerd met dit symbool mag niet worden afgevoerd via Europese systemen voor afvoer van huishoudelijk of openbaar afval. Oude apparatuur of apparatuur aan het einde van zijn levensduur kan naar de fabrikant worden geretourneerd voor kosteloze verwerking.

3.1.3 Certificering

Waarschuwingskennisgeving EN 55011/CISPR 11

Dit is een product van klasse A. In een woonomgeving kan dit product radio-interferentie veroorzaken waar de gebruiker mogelijkerwijs maatregelen tegen moet treffen.

Canadese norm inzake apparatuur die radio-interferentie veroorzaakt, ICES-003, Klasse A:

Aanvullende informatie en testresultaten zijn via de fabrikant verkrijgbaar.

Dit Klasse A instrument voldoet aan alle eisen van de Canadese norm inzake apparatuur die radio-interferentie veroorzaakt.

Cet appareil numérique de classe A répond à toutes les exigences de la réglementation canadienne sur les équipements provoquant des interférences.

FCC deel 15, Klasse "A" bepalingen

Aanvullende informatie en testresultaten zijn via de fabrikant verkrijgbaar. Dit instrument voldoet aan Deel 15 van de FCC-voorschriften. Het gebruik van dit instrument is aan de volgende voorwaarden onderworpen:

1. Het instrument mag geen schadelijke storingen veroorzaken.
2. Het instrument moet elke willekeurige ontvangende storing accepteren, inclusief storingen die mogelijk een ongewenste invloed kunnen hebben.

Door veranderingen of aanpassingen aan dit toestel die niet uitdrukkelijk zijn goedgekeurd door de partij verantwoordelijk voor certificering, kan de certificering van dit instrument komen te vervallen. Dit apparaat is getest en voldoet aan de normen voor een elektrisch instrument van Klasse A, volgens Deel 15 van de FCC-voorschriften. Deze bepalingen zijn vastgesteld om een redelijke bescherming te bieden tegen hinderlijke storingen wanneer het instrument in een commerciële omgeving wordt gebruikt. Dit instrument produceert en gebruikt radiogolven, en kan deze uitstralen. Als het niet wordt geïnstalleerd en gebruikt volgens de handleiding, kan het hinderlijke storing voor radiocommunicatie veroorzaken. Gebruik van het instrument in een woonomgeving zal waarschijnlijk zorgen voor hinderlijke storing. De gebruiker dient deze storing dan op eigen kosten te verhelpen. Om storingen op te lossen kan het volgende worden geprobeerd:

1. Ontkoppel het instrument van zijn stroombron om te controleren of deze stroombron al dan niet de storing veroorzaakt.
2. Als het instrument op hetzelfde stopcontact is aangesloten als het apparaat dat storing ondervindt, dient u het apparaat op een ander stopcontact aan te sluiten.
3. Plaats het apparaat weg van het apparaat waarop de storing van toepassing is.
4. Verplaats de ontvangstantenne voor het apparaat dat de storing ontvangt.
5. Probeer verschillende combinaties van de hierboven genoemde suggesties.

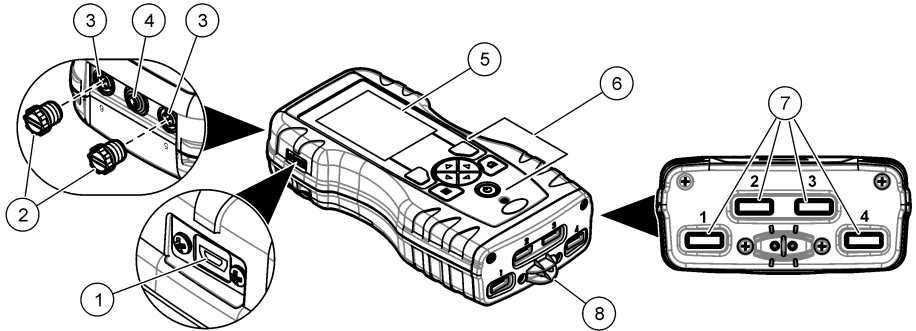
3.2 Productoverzicht

De draagbare parallelle analyser SL1000 meet tot zes parameters tegelijk in toepassingen voor drinkwater of ander schoon water. De meter maakt gebruik van Chemkeys® en digitale IntelliCAL™-electroden voor het meten van verschillende parameters in water. De meter identificeert automatisch het type Chemkey dat is geïnstalleerd in of het type electrode dat is aangesloten op de meter.

De meter kan tot vier Chemkeys en tot twee elektroden gebruiken voor metingen. Raadpleeg

[Afbelding 1](#).

Afbeelding 1 Productoverzicht



1 Mini-USB-poort	5 Display
2 Doppen electrodeaansluitpoorten	6 Toetsenblok
3 electrodeaansluitpoorten	7 Chemkey-slotten
4 Voedingspoort	8 Monsterdetector

3.3 Productcomponenten

Controleer of alle componenten zijn ontvangen. Raadpleeg de meegeleverde documentatie. Neem onmiddellijk contact op met de fabrikant of een verkoopvertegenwoordiger in geval van ontbrekende of beschadigde onderdelen.

Hoofdstuk 4 Installatie

⚠ WAARSCHUWING



Diverse gevaren. Alleen bevoegd personeel mag de in dit deel van het document beschreven taken uitvoeren.

4.1 Veiligheid lithiumbatterij

⚠ WAARSCHUWING



Brand- en explosiegevaar. Lithiumbatterijen kunnen onder ongunstige omstandigheden heet worden, exploderen of in brand vliegen en ernstig letsel veroorzaken.

- Gebruik de batterij niet bij zichtbare beschadigingen.
- Gebruik de batterij niet als deze blootgesteld is geweest aan een krachtige schok of sterke trillingen.
- Stel de batterij niet bloot aan vuur.
- Bewaar de batterij bij een temperatuur onder 60 °C (140 °F).
- Bewaar de batterij droog en uit de buurt van water.
- Voorkom contact tussen de plus- en minpool van de batterij.
- Laat geen onbevoegden aan de batterij komen.
- Het afvoeren van de batterij dient in overeenstemming met de plaatselijke, regionale en nationale regelgeving te gebeuren.

- Gebruik of bewaar het instrument niet in direct zonlicht, in de buurt van warmtebronnen of in een omgeving met een hoge temperatuur, zoals een afgesloten voertuig in de hete zon.

4.2 De batterij plaatsen

⚠ WAARSCHUWING



Brand- en explosiegevaar. Dit apparaat bevat een lithiumbatterij met een hoge energiedichtheid die ontvlambaar is en brand of een explosie kan veroorzaken, zelfs zonder voeding. Om de veiligheid van de behuizing van het instrument te waarborgen, moeten de behuizingsdeksels worden aangebracht en vastgezet met het meegeleverde bevestigingsmateriaal..

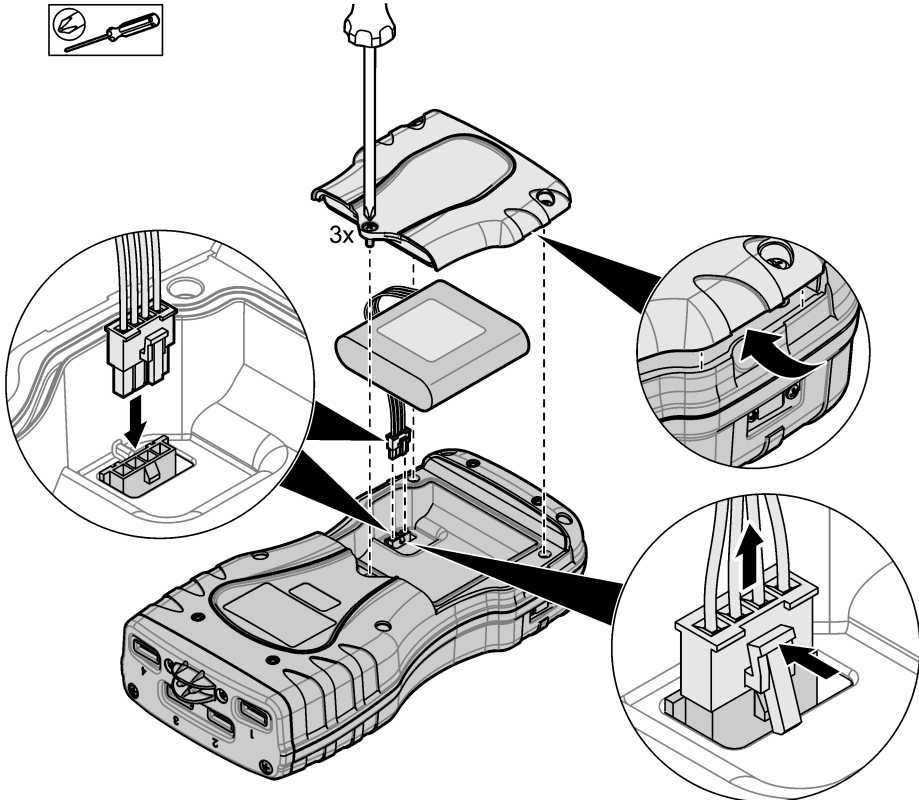
⚠ WAARSCHUWING



Explosie- en brandgevaar. Alternatieven voor de batterijen worden niet toegestaan. Gebruik uitsluitend de batterijen die door de fabrikant van het instrument zijn meegeleverd.

Gebruik alleen de door de fabrikant geleverde oplaadbare lithium-ionbatterij. Raadpleeg [Afbeelding 2](#) voor het plaatsen of verwijderen van de batterij.

Afbeelding 2 Batterij plaatsen en verwijderen



4.3 De batterij opladen

▲ WAARSCHUWING



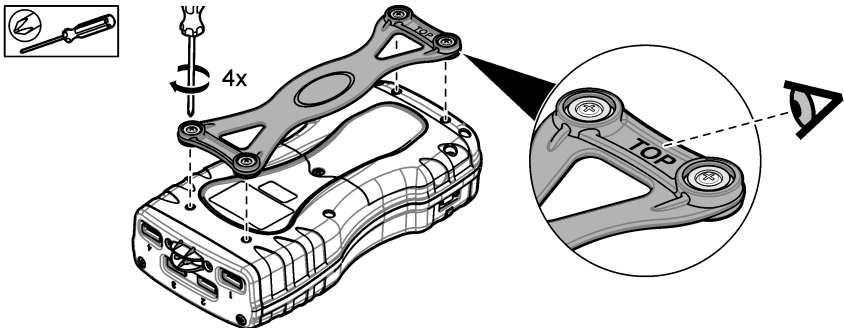
Brandgevaar. Gebruik alleen de externe voeding die is opgegeven voor dit instrument.

1. Sluit de externe voeding aan op een stopcontact.
2. Sluit de externe voeding aan op de voedingspoort van de meter. Raadpleeg [Productoverzicht](#) op pagina 170.
 - Het instrument kan worden gebruikt terwijl de batterij wordt opgeladen.
 - Er mag geen andere externe voeding worden gebruikt. Gebruik uitsluitend de externe voeding die in de lijst vermeld staat voor onderdelen en toebehoren voor het instrument. Raadpleeg [Reservedelen en accessoires](#) op pagina 188.
 - Laad de batterij niet langer dan 24 uur op.

4.4 Het koord aanbrengen

Breng het koord aan om de meter veilig vast te houden. Raadpleeg [Afbeelding 3](#).

Afbeelding 3 Plaatsing van koord

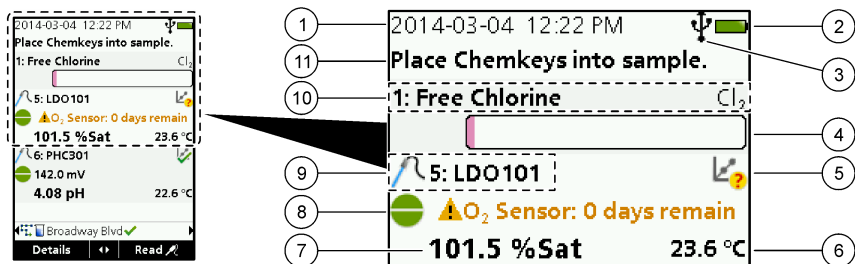


Hoofdstuk 5 Gebruikersinterface en navigatie

5.1 Beschrijving van het display

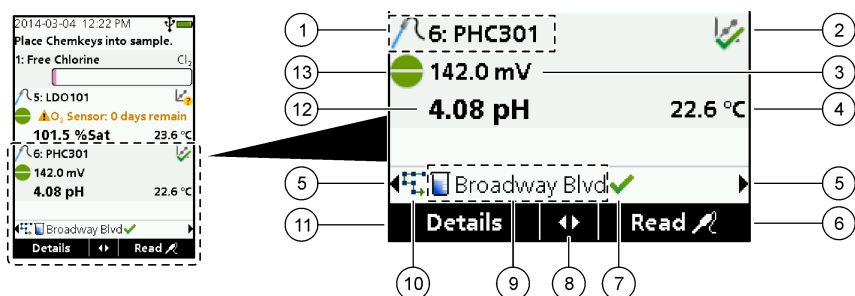
Raadpleeg [Afbeelding 4](#) en [Afbeelding 5](#) voor de beschrijving van het meetscherm.

Afbeelding 4 Meetscherm (bovenste gedeelte)



1 Datum en tijd	7 Primaire meetwaarde (door gebruiker geselecteerde parameter)
2 Batterijstatus	8 Stabiliteitspictogram met waarschuwingspictogram en waarschuwingsbericht
3 Pictogram voor actieve verbinding USB (COM-poort) wanneer communicatieklasse is geselecteerd	9 Sensorpictogram, poortnummer, naam van parameter of elektrode
4 Voortgangsbalk (onvoltooide meting)	10 slotnummer, naam parameter en symbool van chemische stof
5 Pictogram kalibratiestatus (kalibratie onjuist)	11 Zeer belangrijk bericht voor apparaten (gevolgd door fout en vervolgens waarschuwingsbericht)
6 Secundaire meting (door gebruiker geselecteerde parameter)	

Afbeelding 5 Meetscherm (onderste gedeelte)

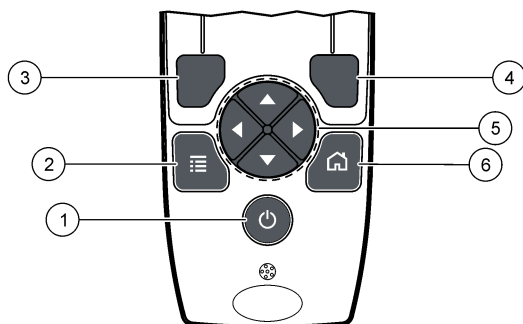


1 Sensorpictogram, poortnummer, naam van parameter of elektrode	8 Actieve pijltoetsen
2 Pictogram kalibratiestatus (kalibratie correct)	9 Pictogram site-id en naam site
3 Secundaire meetwaarde (door gebruiker geselecteerde parameter)	10 Routepictogram (wordt getoond wanneer routes is ingeschakeld)
4 Tertiaire meetwaarde (door gebruiker geselecteerde parameter)	11 Opties (afhankelijk van context: details, afsluiten, annuleren, selectie, selectie ongedaan maken)
5 Pijl naar rechts en naar links voor selectie van de toepasselijke site-id	12 Primaire meetwaarde (door gebruiker geselecteerd)
6 Opties (afhankelijk van context: lezen, selectie, OK, wissen)	13 Stabiliteitspictogram
7 Vinkje: meting voltooid op site	

5.2 Beschrijving toetsenblok

Raadpleeg [Afbeelding 6](#) voor een beschrijving van het toetsenblok en informatie over de navigatie.

Afbeelding 6 Beschrijving toetsenblok



1 Toets AAN/UIT	4 Selectietoets RECHTS (afhankelijk van context): monsters lezen, wissen, opties selecteren of bevestigen, submenu's openen
2 Toets HOOFGEMENU: verificatie, kalibratie, routes, instellingen, gegevenslogboek, informatie, diagnose, gebruikers-id en site-id selecteren	5 Navigatietoetsen OMHOOG, OMLAAG, RECHTS, LINKS ¹ : door menu's bladeren, cijfers en letters invoeren
3 Selectietoets LINKS (afhankelijk van context): details, selectie / selectie ongedaan maken, annuleren of vanuit het actieve menuscherm terugkeren naar het vorige	6 HOME: naar het hoofdmeetscherm gaan

Hoofdstuk 6 Opstarten

6.1 Inschakelen

Druk op de toets **AAN/UIT** om de meter in of uit te schakelen. Als de meter niet opstart, controleer dan of de batterij goed is geplaatst.

6.2 De taal wijzigen

Stel de taal van het display in wanneer de meter voor het eerst wordt aangezet. Wijzig de taal via het menu **Instellingen**.

1. Druk op **Instellingen>Taal**.
2. Selecteer de juiste taal.

6.3 De datum en tijd wijzigen

Er zijn twee opties voor het instellen van de datum, de tijd en de notatie:

- De datum en tijd instellen wanneer de meter voor het eerst wordt aangezet.
- De datum en tijd instellen via het menu Datum & tijd.

1. Selecteer **Instellingen>Meter>Datum & tijd**.
2. Selecteer met de pijltoetsen de notatie voor de datum en tijd en voer vervolgens de huidige tijd en datum in.
De huidige tijd en datum worden op het display en in de geregistreerde meetgegevens weergegeven.

¹ OMHOOG, OMLAAG: door metingen bladeren als er meer dan vier metingen zijn, RECHTS, LINKS: door gebruikers- en monster-id's bladeren

Hoofdstuk 7 Standaardbediening

7.1 Een gebruikers-id gebruiken

Het label gebruiker koppelt metingen aan een individuele gebruiker. Alle opgeslagen gegevens bevatten deze gebruikersnaam.

Voor eenvoudig beheer van gebruikers-id's gebruikt u de webtoepassing "tool.htm". Raadpleeg de website van de fabrikant voor meer informatie.

1. Druk op **Hoofdmenu>Gebruikers-ID**.
2. Selecteer een optie.

Optie	Omschrijving
Modus	Schakel de gebruikers-id-functie in of uit (standaardinstelling).
Selecteren	Selecteer een id uit een lijst. Totdat een andere id wordt geselecteerd, wordt de huidige id aan monstergegevens gekoppeld. Met de pijlen OMHOOG en OMLAAG selecteert u een gebruikers-id op het homescherm. Er kan een gebruikers-id worden geselecteerd op het meetscherm voordat er een Chemkey in een slot is geplaatst of een electrode aangesloten.
Maken	Voer een naam in voor een nieuwe gebruikers-id.
Wissen	Verwijder een bestaande gebruikers-id.

7.2 Een site-id gebruiken

Selecteer het monster-id-label om metingen te koppelen aan een bepaald monster of een bepaalde locatie. Daarna bevatten alle opgeslagen gegevens deze id.

Voor eenvoudig beheer van site-id's gebruikt u de webtoepassing "tool.htm". Raadpleeg de website van de fabrikant voor meer informatie.

1. Druk op **Hoofdmenu>Site-ID**.
2. Selecteer een optie.

Optie	Omschrijving
Modus	Stel de site-id-functie in op Handmatig, Automatisch of routes. Handmatig – handmatig een site-id selecteren. Automatisch – de monsters worden op volgorde genummerd voor elke meting totdat een andere id wordt geselecteerd. Uit – de site-id-functie wordt uitgeschakeld (standaardinstelling). Routes – er wordt een geordende subset van de volledige lijst met site-id's verstrekt.
Selecteren	Selecteer een id uit de lijst. Totdat een andere id wordt geselecteerd, wordt de huidige id aan de monstergegevens gekoppeld. Stel Site-ID>Tonen in op Ja. Selecteer met de pijl RECHTS of LINKS de huidige site-id op het meetscherm. Zorg dat Site-ID>Tonen is ingesteld op Ja en dat er ten minste één Chemkey in een slot is geplaatst of één electrode is aangesloten.
Maken	Voeg een nieuwe site-id toe.
Wissen	Wis een of meer bestaande site-id's. Opmerking: Zorg dat u de modus Handmatig selecteert voor het wissen van een site-id.
Tonen	De site-id wordt weergegeven op het meetscherm. Schakel dit in of uit.
Routes	Hiermee wordt een geordende lijst met site-id's verstrekt. Als een route is geselecteerd, worden de site-id's automatisch weergegeven op het meetscherm en worden ze vastgelegd. Druk op de pijl RECHTS om de volgende locatie te selecteren. Gebruik de webtoepassing "tool.htm" voor het configureren van de routes. Raadpleeg de website van de fabrikant voor meer informatie.
Opmerkingen	Leg bijzondere informatie vast en voeg deze informatie toe aan een gebeurtenislogboek.

7.3 Chemkey-metingen uitvoeren

LET OP

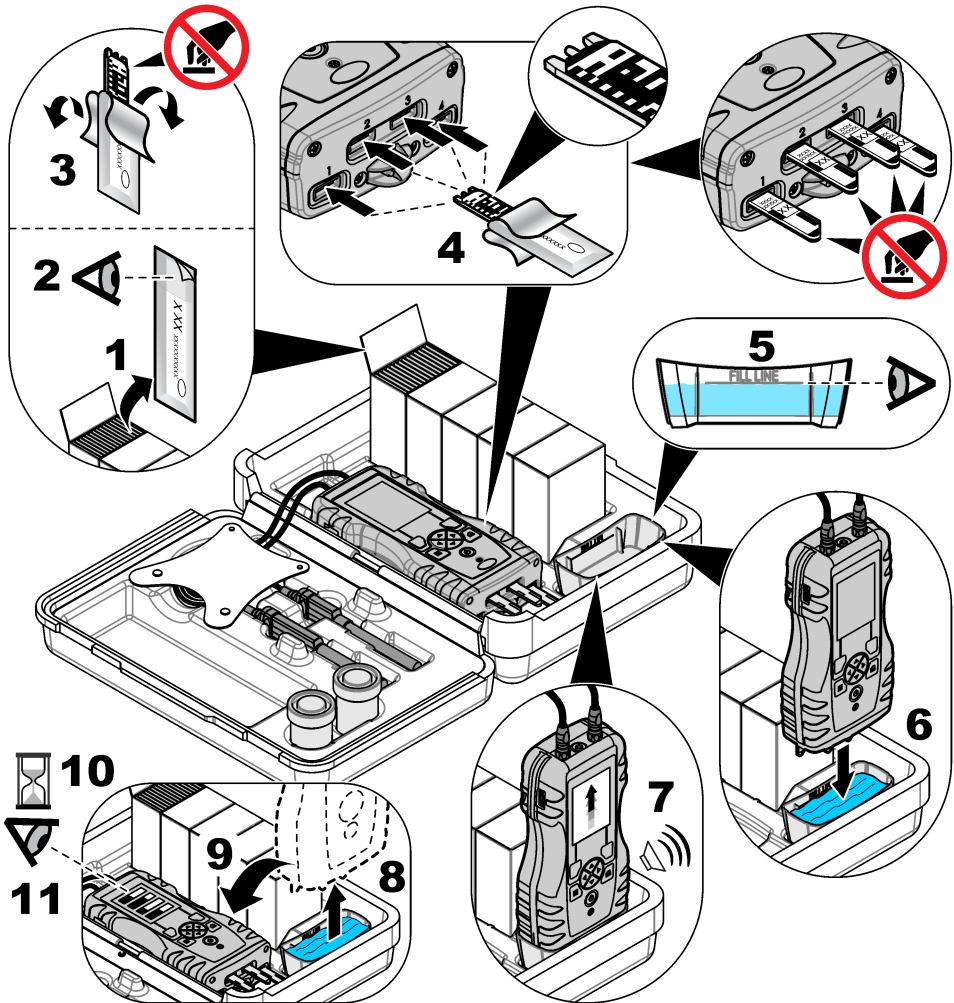
Start geen nieuwe Chemkey-meting zolang andere Chemkey-metingen nog niet voltooid zijn. Plaats de meter slechts één maal in het monster voor een Chemkey-meting.

Voer de onderstaande procedure uit om een meting uit te voeren met de Chemkey(s). Raadpleeg [Afbeelding 7](#). Er kunnen meerdere electrodemetingen tegelijkertijd worden uitgevoerd. Raadpleeg [electrodemetingen uitvoeren](#) op pagina 179.

1. Schakel de meter in.
2. Als volledige traceerbaarheid vereist is, voert u vóór het meten een site-id en een gebruikers-id in. Raadpleeg [Een gebruikers-id gebruiken](#) op pagina 176 en [Een site-id gebruiken](#) op pagina 176.
3. Druk de toepasselijke Chemkey(s) volledig, in één beweging, in slot 1 t/m 4. Zorg dat u altijd voor elke meting een nieuwe Chemkey gebruikt. Het is belangrijk om de Chemkey helemaal in het slot te drukken.
Als een slot een Chemkey bevat, mag de Chemkey niet worden bewogen of aangeraakt.²
4. Spoel de monsterbeker uit met het monster.
5. Vul de monsterbeker tot aan de vullijn met het monster.
6. Plaats de meter in de monsterbeker.
7. Wacht tot het geluidssignaal en/of de animatie voor meterverwijdering (binnen 1 à 2 seconden) en neem de meter dan onmiddellijk uit de monsterbeker.
Plaats de meter weer in de houder en wacht tot de meting voltooid is. De parameters hebben verschillende reactietijden. Op het display wordt een voortgangsbalk weergegeven met de resterende tijd totdat de meting voltooid is.
8. De meetwaarden worden weergegeven op het display.

Opmerking: Wanneer een fout wordt weergegeven, drukt u op **Details** voor nadere informatie.

² Voor een meting van vrije ammoniak zijn zowel een monochlooramine-Chemkey als een Chemkey voor vrije ammoniak vereist.



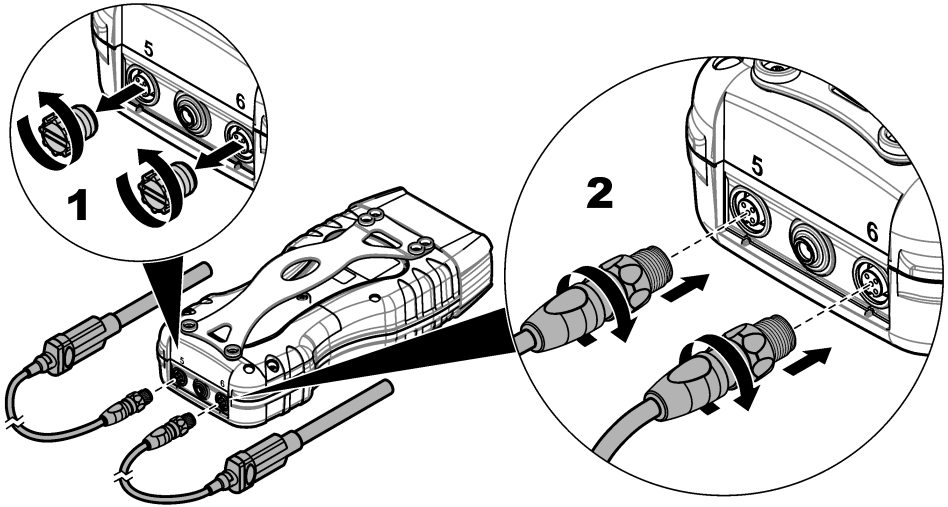
7.4 Een electrode aansluiten

LET OP

Werp de doppen van de electrodeaansluitpoorten niet weg. Zorg dat de doppen op de electrodeaansluitpoorten zijn aangebracht als er geen electrode is aangesloten.

Controleer of het display de huidige tijd en datum aangeeft en sluit vervolgens de electrode aan op de meter. Raadpleeg [Afbeelding 8](#).

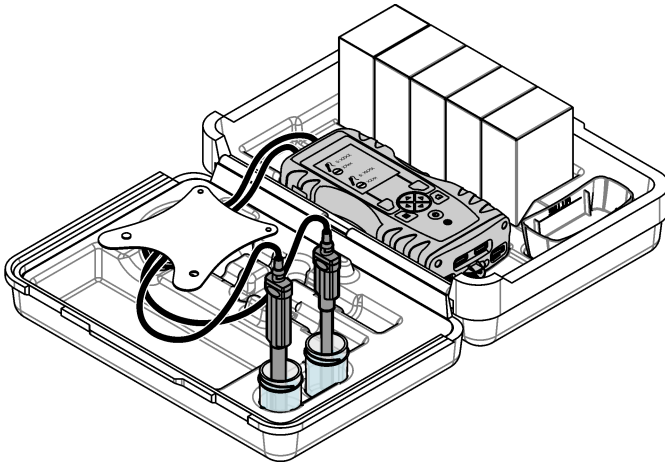
Opmerking: Het tijdstempel voor een electrode wordt ingesteld wanneer de electrode voor het eerst wordt aangesloten op de meter. Dit tijdstempel maakt het mogelijk om de electrodehistorie en het tijdstip waarop de metingen worden uitgevoerd vast te leggen.



7.5 electrodemetingen uitvoeren

Voer de onderstaande procedure uit om een meting met een of meer elektroden uit te voeren. Raadpleeg [Afbeelding 9](#). Er kunnen meerdere Chemkey-metingen tegelijkertijd worden uitgevoerd. Raadpleeg [Chemkey-metingen uitvoeren](#) op pagina 177.

1. Kalibreer de sensoren voor het eerste gebruik. Raadpleeg [De elektrode kalibreren](#) op pagina 180.
Opmerking: Kalibreer de sensoren dagelijks voor een optimale nauwkeurigheid.
2. Stel de datum en tijd in de meter in voordat u de elektrode aansluit. Raadpleeg [De datum en tijd wijzigen](#) op pagina 175.
Het levensduurtijdstempel van de sensor moet correct zijn.
3. Als volledige traceerbaarheid vereist is, voert u vóór het meten een site-id en een gebruikers-id in. Raadpleeg [Een gebruikers-id gebruiken](#) op pagina 176 en [Een site-id gebruiken](#) op pagina 176.
4. Verwijder de doppen van de electrodeaansluitpoorten en sluit de elektrode(n) aan. Raadpleeg [Afbeelding 8](#) op pagina 179 voor het aansluiten van de elektrode.
Opmerking: Werp de doppen van de electrodeaansluitpoorten niet weg. Breng de doppen weer aan op de electrodeaansluitpoorten als er geen elektrode is aangesloten.
5. Spoel de monsterflacons uit met het monster.
6. Vul de monsterflacon met zoveel monster dat de sensor zich volledig in het monster bevindt.
7. Plaats de elektrode(n) in de electrodemonsterflacons en druk op **Lezen** als de meetmodus is ingesteld op **Drukken om te lezen**. Raadpleeg de documentatie van de elektroden voor meer informatie.
8. De meetwaarden worden weergegeven op het display.




Hoofdstuk 8 Kalibratie

⚠ VOORZICHTIG



Gevaar van blootstelling aan chemicaliën. Volg alle laboratorium technische veiligheidsvoorschriften op en draag alle persoonlijke beschermingsuitrustingen die geschikt zijn voor de gehanteerde chemicaliën. Raadpleeg de huidige veiligheidsinformatiebladen (MSDS/SDS) voor veiligheidsprotocollen.

8.1 De elektrode kalibreren

Elke elektrode gebruikt een andere kalibratiemethode. Kalibreer de elektroden regelmatig om een hoge nauwkeurigheid te behouden. De meter toont de kalibratiestatus. Als de kalibratie onjuist is, wordt het kalibratiepictogram met het vraagteken  weergegeven totdat de elektrode op de juiste wijze is gekalibreerd. Als de kalibratie juist is, wordt het kalibratiepictogram met het groene vinkje weergegeven. Raadpleeg voor stapsgewijze instructies de documenten die bij elke elektrode meegeleverd worden. Raadpleeg de website van de fabrikant voor meer informatie.

1. Een elektrode aansluiten.
2. Druk op **Hoofdmenu>Kalibratie** om een kalibratie te starten.
3. Selecteer de toepasselijke elektrode als er meer dan één is aangesloten op het instrument.
Opmerking: Als er slechts één elektrode is aangesloten, wordt deze stap niet weergegeven.

4. Voer de instructies op het display uit om de elektrode te kalibreren.

Opmerking: Druk voor een ISE-sensor op de pijltoets **RECHTS** om waar nodig naar de volgende kalibratiestandaard te gaan. Meet standaarden van lage concentratie naar hoge concentratie.

5. Voer zo nodig een verificatie uit. Raadpleeg [Verificatie van elektroden](#) op pagina 181.

8.2 Fabriekskalibratie

De fabrikant raadt aan jaarlijks een volledige fabriekskalibratie uit te voeren om er zeker van te zijn dat het systeem naar behoren werkt. Neem contact op met het Hach Service Center voor uw locatie.

8.3 De meter kalibreren voor een specifieke Chemkey-parameter

Elke Chemkey maakt gebruik van verschillende kalibratieconfiguraties. Raadpleeg de website van de fabrikant voor meer informatie.

1. Druk de toepasselijke Chemkey(s) langzaam, in één beweging, in slot 1 t/m 4.
2. Druk op **Hoofdmenu>Kalibratie** om een kalibratie te starten.
3. Selecteer de toepasselijke Chemkey.
4. Voer de toepasselijke standaardafstelwaarde in.
5. Voer de instructies op het display uit om de Chemkey te kalibreren.
6. Voer zo nodig een verificatie uit. Raadpleeg [Chemkey-verificatie](#) op pagina 181.

8.4 Verificatie van elektroden

1. Druk op **Hoofdmenu>Verificatie** om een verificatie te starten.
2. Selecteer het toepasselijke artikel.
3. Voer de instructies op het display uit om de verificatie uit te voeren.

Opmerking: Om de standaard die voor de verificatie wordt gebruikt te wijzigen, drukt u op **Hoofdmenu>Instellingen>Sensor>[Selecteer sensor]>Verificatie-opties>Standaard**.

8.5 Chemkey-verificatie

Er zijn twee opties voor het uitvoeren van een Chemkey-verificatie: U kunt voor de verificatie een parameterspecifieke Chemkey of een systeemverificatie-Chemkey gebruiken. Raadpleeg [Reservedelen en accessoires](#) op pagina 188.

- **Parameterspecifieke Chemkey:**

1. Druk de parameterspecifieke Chemkey langzaam, in één beweging, in slot 1 t/m 4.
2. Druk vervolgens op **Hoofdmenu>Verificatie** om de verificatie te starten.
3. Voer het via menu's begeleide proces uit.

- **Systeemverificatie-Chemkey:**

1. Druk op **Hoofdmenu>Verificatie** om een verificatie te starten.
2. Druk vervolgens de systeemverificatie-Chemkey langzaam, in één beweging, in het eerste slot.
3. Voer het via menu's begeleide proces uit.

Hoofdstuk 9 Gegevenslogboek

Het gegevenslogboek toont alle opgeslagen metingen.

1. Druk op **Hoofdmenu>Gegevenslogboek**.
2. Selecteer een optie.

Optie	Omschrijving
Alle logboeken op datum	Toont de monsterteetresultaten: de naam van de elektrode, het serienummer van de elektrode, de waarde, eenheid, temperatuur, tijd, datum, opmerkingen, gebruikers-id, site-id en kalibratiegegevens. De laatste meting wordt weergegeven op het display. Druk op de pijl naar LINKS om de eerdere metingen te bekijken.
Huidige kal. op elektrode	Toont de kalibratiegegevens van de meest recente kalibratie. Als de elektrode niet is gekalibreerd door de gebruiker, worden de kalibratiegegevens van de fabriek getoond.

Optie	Omschrijving
Kal.-geschiedenis op electrode	Toont een lijst met de tijdstippen waarop de electrode is gekalibreerd. Selecteer een datum en tijd om een samenvatting van de kalibratiegegevens weer te geven.
Gegevenslogboek wissen	Hiermee worden in één keer alle gegevens in de meter gewist. De apparaatgegevens blijven behouden.

9.1 Gegevens importeren in Excel

▲ WAARSCHUWING



Gevaar van elektrische schokken. Extern aangesloten apparatuur moet in het betreffende land beoordeeld worden op veiligheid.

De meter slaat het gegevenslogboek op in een XML-indeling. De site-ID, de sequentie, de datum en tijd, de parameter, de gemeten waarde, de eenheden, de gebruikers-id, het slotnummer, de batchcode van de Chemkey en het serienummer van de meter kunnen worden opgeslagen in een Excel-spreadsheet.

- Schakel de meter in.
- Sluit de meter met de USB-kabel aan op de computer. De meter wordt op de computer weergegeven als het station "Hach Portable Parallel Analysis".
- Open op dit station de map "DataTemplate".
- Open het bestand "LogTemplate.xlt".
- Klik met de rechtermuisknop op de cel "A2" en selecteer XML>Importeren.
- Selecteer alle logboekbestanden in de map "Data" op het station "Hach Portable Parallel Analysis".
- Klik op **Importeren**.
Het gegevenslogboek wordt weergegeven in het Excel-spreadsheet.
- Sla het bestand zo nodig op de computer op of op een USB-stick.
- Koppel de meter op veilige wijze los van de computer. Klik op het pictogram met de groene pijl "Hardware veilig verwijderen en media uitwerpen" op de taakbalk.
Opmerking: Sommige pictogrammen zijn te vinden onder "Verborgen pictogrammen weergeven" op de taakbalk.
- Koppel de USB-kabel los van de meter.

9.2 Gegevens bekijken in een webbrowser

Voer de onderstaande stappen uit om het gegevenslogboek te bekijken in een webbrowser. De site-ID, de sequentie, de datum en tijd, de parameter, de gemeten waarde, de eenheden, de gebruikers-id, het slotnummer, de batchcode van de Chemkey en het serienummer van de meter worden weergegeven in de geselecteerde webbrowser.

- Schakel de meter in.
- Sluit de meter met de USB-kabel aan op de computer. De meter wordt op de computer weergegeven als het station "Hach Portable Parallel Analysis".
- Open op dit station de map "Data".
- Open een gegevenslogboekbestand.
 - Open "LogNN.XML" (NN = cijfers van 0 tot en met 9) in elke gewenste browser.
 - Klik in de webbrowser op **Bestand>Menu Openen** en blader naar de map "Data".
- Sla het bestand zo nodig op de computer op of op een USB-stick.

6. Koppel de meter op veilige wijze los van de computer. Klik op het pictogram met de groene pijl "Hardware veilig verwijderen en media uitwerpen" op de taakbalk.

Opmerking: Sommige pictogrammen zijn te vinden onder "Verborgen pictogrammen weergeven" op de taakbalk.

7. Koppel de USB-kabel los van de meter.

Hoofdstuk 10 Onderhoud

▲ WAARSCHUWING



Diverse gevaren. Alleen bevoegd personeel mag de in dit deel van het document beschreven taken uitvoeren.

▲ VOORZICHTIG



Gevaar van blootstelling aan chemicaliën. Volg alle laboratorium technische veiligheidsvoorschriften op en draag alle persoonlijke beschermingsuitrustingen die geschikt zijn voor de gehanteerde chemicaliën. Raadpleeg de huidige veiligheidsinformatiebladen (MSDS/SDS) voor veiligheidsprotocollen.

▲ VOORZICHTIG



Gevaar van blootstelling aan chemicaliën. Chemicaliën en afval dienen te worden afgevoerd in overeenstemming met de plaatselijke, regionale en nationale voorschriften.

10.1 Gemorste stoffen opruimen

▲ VOORZICHTIG



Gevaar van blootstelling aan chemicaliën. Chemicaliën en afval dienen te worden afgevoerd in overeenstemming met de plaatselijke, regionale en nationale voorschriften.

1. Volg alle veiligheidsprotocollen van de installatie op.
2. Voer het afval af volgens de geldende voorschriften.

10.2 Reiniging van het apparaat

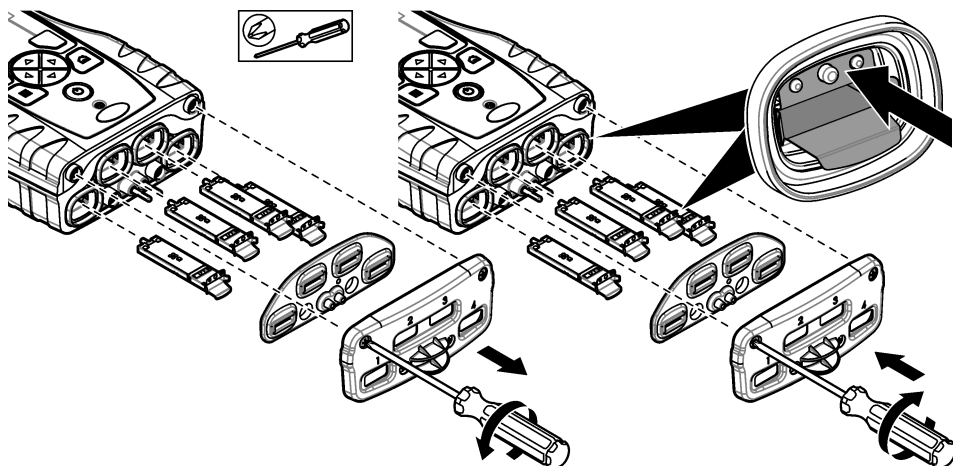
Reinig de buitenzijde van het instrument met een vochtige doek en een milde zeepoplossing en veeg het instrument vervolgens, indien nodig, droog.

10.3 Onderdelen reinigen of vervangen

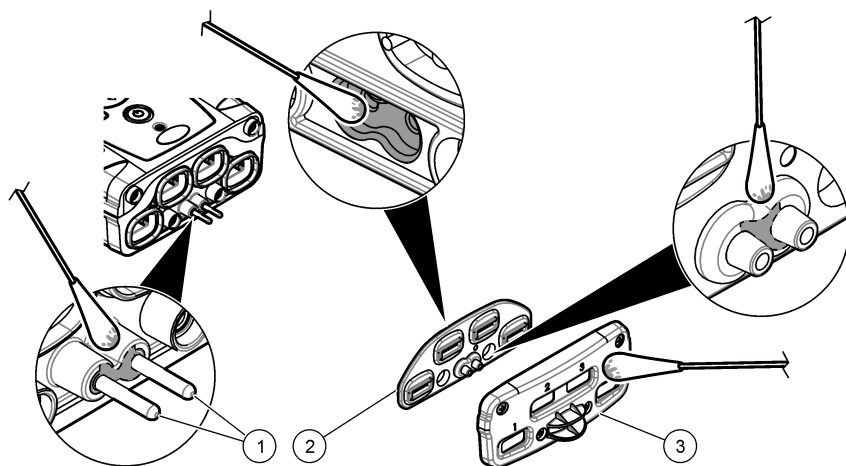
Bij sommige fouten en waarschuwingen moeten de Chemkey-sloten, de optische vensters, het barcodevenster en de monstredetector worden gereinigd of moeten de houders worden vervangen. Reinig de onderdelen met isopropanol. Reinig het lichtschermbelichtingsmiddel met water en een mild reinigingsmiddel. Zorg dat u het wattenstaafje slechts in één richting beweegt. Raadpleeg [Afbeelding 10](#) voor het verwijderen van de toegangsklep voor de optische onderdelen, het lichtschermbelichtingsmiddel en de houders. Raadpleeg [Afbeelding 11](#) en [Afbeelding 12](#) voor de details van de reinigingsprocedure.

Benodigheden: wattenstaafje, isopropanol, water en een mild reinigingsmiddel

Afbeelding 10 Onderdelen verwijderen en weer aanbrengen



Afbeelding 11 Monsterdetector, lichtscherm en toegangsklep reinigen

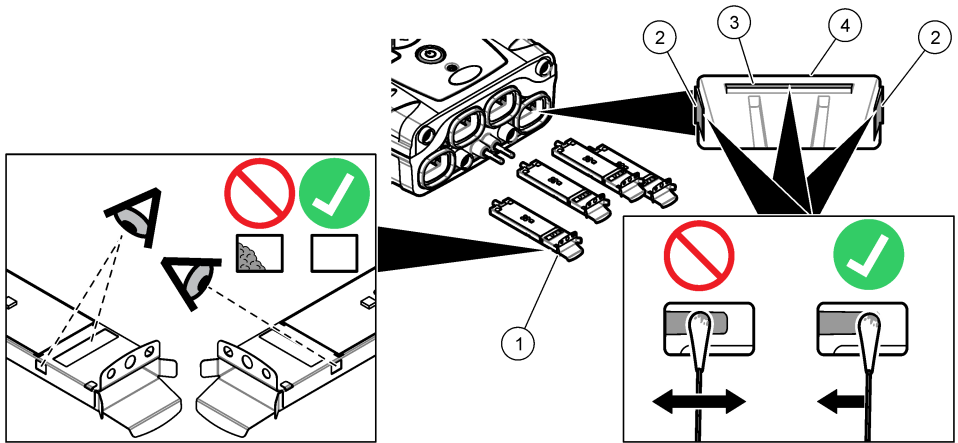


1 Monsterdetector

2 Lichtscherm

3 Toegangsklep voor de optische onderdelen

Afbeelding 12 Houders en Chemkey-slots reinigen



1 Houder	3 Barcodevenster
2 Optisch venster	4 Chemkey-slot

10.4 De batterij opladen of vervangen

Laad de batterij op wanneer het laadniveau van de batterij laag is. Vervang de batterij als deze niet meer goed kan worden opgeladen. Gebruik uitsluitend de door de fabrikant geleverde, gespecificeerde batterij. Raadpleeg [De batterij plaatsen](#) op pagina 172 en [Reservedelen en accessoires](#) op pagina 188.

10.5 Gereedmaken voor verzending

LET OP

Mogelijke beschadiging van het instrument. Laat al het water uit het apparaat lopen om beschadiging door vorst te voorkomen.

Neem vóór verzending naar de fabrikant contact op met de technische ondersteuning voor instructies.

- Reinig en ontsmet het instrument vóór verzending.
- Verzend het instrument met de batterij geïnstalleerd in de meter, maar zorg ervoor dat de batterij niet is aangesloten op de connector.
- Koppel de elektroden los en verwijder de Chemkeys vóór verzending.
- Verzend het instrument in de oorspronkelijke verpakking of in een andere, veilige verpakking.

Hoofdstuk 11 Problemen oplossen

Foutmelding/waarschuwing	Mogelijke oorzaak	Oplossing
Leesfout barcode Voer Chemkey(s) opnieuw in	De Chemkey werkt niet naar behoren. De Chemkey is niet goed geïnstalleerd.	<ul style="list-style-type: none"> Plaats de Chemkey opnieuw in de sleuf. Gebruik een nieuwe Chemkey. Reinig het barcodevenster. Raadpleeg Afbeelding 12 op pagina 185. Als het probleem aanhoudt, neemt u contact op met de technische ondersteuning.
Fout monsterbeluchting.	De Chemkey werkt niet naar behoren. De Chemkey is niet geheel in de sleuf gedrukt.	Gebruik een nieuwe Chemkey en zorg dat u de Chemkey helemaal in de sleuf drukt. Als het probleem aanhoudt, neemt u contact op met de technische ondersteuning.
Chemkey heeft gelekt. Probeer een andere		
Houdbaarheid Chemkey verstreken		
Meetfout (1–4)		
Parameter niet ondersteund	De parameter is niet beschikbaar in de geïnstalleerde software van het instrument.	Werk de software van het instrument bij. Zoek naar "SL1000" op www.hach.com . Ga naar de sectie Downloads>Software/Firmware en volg de instructies op de website.
Chemkey geb. - Verv.	De Chemkey is al gebruikt of er zit water in de sleuf.	Gebruik een nieuwe Chemkey. Als het probleem aanhoudt, laat u de sleuf en het instrument opdrogen en probeert u het opnieuw. Als het probleem aanhoudt, neemt u contact op met de technische ondersteuning.
Rek lekt. Vervang tray.	Er is een probleem opgetreden met de gemeten tray.	Vervang de tray. Raadpleeg Afbeelding 10 op pagina 184. Als het probleem aanhoudt, neemt u contact op met de technische ondersteuning.
Verwarmingsfout Rek vervangen	De tray werkt niet naar behoren.	
Uit monster halen.	De meter is in het monster geplaatst voordat de meter gereed was.	Wacht tot de meter gereed is om in het monster te worden geplaatst.
Monster te vroeg verwijderd		Plaats een andere Chemkey in de sleuf. Wacht tot de meter gereed is om in het monster te worden geplaatst.
Te lang in monster	De Chemkeys zijn te lang in het monster gelaten. Er is een meetfout opgetreden.	Verwijder de Chemkeys onmiddellijk wanneer dat wordt gevraagd.
	Het gebied met monsterdetectorpennen is vuil als de waarschuwing wordt weergegeven terwijl de meter niet in het monster is geplaatst.	Reinig het gebied met de monsterdetectorpennen. Raadpleeg Onderdelen reinigen of vervangen op pagina 183. Als het probleem aanhoudt, neemt u contact op met de technische ondersteuning.
Boven meetbereik	De concentratie is hoger dan de bovenste limiet van de huidige methode.	Verdun het monster en voer de meting opnieuw uit.
Onder meetbereik	De concentratie is lager dan de onderste limiet van de huidige methode.	—

Foutmelding/waarschuwing	Mogelijke oorzaak	Oplossing
Tray te koud.	De meter kan te koud zijn om de tray te verwarmen of de verwarming werkt niet.	Breng de meter over naar een warmere omgeving en voer de meting opnieuw uit. Vervang de tray.
Tray te warm.	De meter is te warm om een correcte meting uit te voeren.	Koel de meter af of verwijder de meter uit de warme omgeving.
Te veel omgevingslicht. Plaats Chemkey in donkerdere omgeving	Het omgevingslicht is te fel voor het aflezen van de barcode.	Breng de meter over naar een minder lichte omgeving en plaats de Chemkey opnieuw in de sleuf.
Te weinig licht. Reinig de Chemkey-sleuf.	De Chemkey werkt niet naar behoren. De Chemkey is niet goed geïnstalleerd.	<ul style="list-style-type: none"> Druk de Chemkey in één beweging in de sleuf. Gebruik een nieuwe Chemkey. Reinig de Chemkey-sleuf. Raadpleeg Afbeelding 12 op pagina 185. Als het probleem aanhoudt, neemt u contact op met de technische ondersteuning.
Instrument vereist onderhoud.	Storing van de module.	Gebruik de modules die naar behoren werken. Neem contact op met de technische ondersteuning voor reparatie van de defecte module.
Monster niet gevonden.	<ul style="list-style-type: none"> De monsterbeker is niet gevuld tot aan de vullijn. De geleidbaarheid van het monster bedraagt minder dan 2 $\mu\text{S}/\text{cm}$. 	<ul style="list-style-type: none"> Zorg dat de monsterbeker is gevuld tot aan de vullijn. Zorg dat de geleidbaarheid van het monster meer dan 2 $\mu\text{S}/\text{cm}$ bedraagt. Reinig de monsterdetector. Raadpleeg Afbeelding 11 op pagina 184. Als het probleem aanhoudt, neemt u contact op met de technische ondersteuning.

11.1 Een diagnosecontrole uitvoeren

Het diagnosemenu toont de informatie over de huidige versie van de meter en de optie voor het formatteren van de geheugenkaart.

1. Druk op **Hoofdmenu>Diagnose**.
2. Selecteer een optie.

Optie	Omschrijving
Sschijfruimte	De schijfruimte voor het gebruikersgeheugen en voor het interne geheugen weergeven.
Configuratieversies	De configuratieversies van de meterinstellingen weergeven.
Methodeversies	De methodeversies van de meter weergeven.
Geheugen formatteren	Alle metergegevens wissen. Opmerking: Alle metergegevens (bijv. meterconfiguratie, site-id's, gebruikers-id's, routes, opmerkingen, sjablonen en nog meer) gaan verloren wanneer Geheugen formatteren wordt uitgevoerd.

Hoofdstuk 12 Reservedelen en accessoires

▲ WAARSCHUWING



Gevaar voor letsel. Het gebruik van niet-goedgekeurde onderdelen kan leiden tot letsel, beschadiging van het instrument of onjuiste werking van apparatuur. De reserveonderdelen in dit hoofdstuk zijn goedgekeurd door de fabrikant.

Opmerking: Product- en artikelnummers kunnen verschillen per regio. Neem contact op met de desbetreffende distributeur of bezoek de website voor contactgegevens.

Raadpleeg Vervangende onderdelen en toebehoren in de uitgebreide versie van de handleiding.

Spis treści

- | | |
|--|---|
| 1 Instrukcja obsługi online na stronie 189 | 7 Standardowa obsługa na stronie 197 |
| 2 Specyfikacja na stronie 189 | 8 Kalibracja na stronie 201 |
| 3 Ogólne informacje na stronie 190 | 9 Rejestr danych na stronie 202 |
| 4 Instalacja na stronie 192 | 10 Konserwacja na stronie 204 |
| 5 Interfejs użytkownika i nawigacja na stronie 194 | 11 Usuwanie usterek na stronie 207 |
| 6 Rozruch na stronie 196 | 12 Części zamienne i akcesoria na stronie 209 |

Rozdział 1 Instrukcja obsługi online

Ten podstawowy podręcznik użytkownika zawiera mniej informacji niż podręcznik użytkownika, który jest dostępny na stronie internetowej producenta.

Rozdział 2 Specyfikacja

Dane techniczne mogą ulec zmianie bez wcześniejszego powiadomienia.

Dane techniczne	Dane szczegółowe
Wymiary (szer. x gł. x wys.)	13.08 x 5.89 x 25.83 cm (5.15 x 2.32 x 10.17 cala)
Stopień ochrony obudowy	Urządzenie IP64 z zamontowanymi zaślepkami gniazd do podłączania sond lub z podłączonymi sondami
Masa	1.2 kg (2.7 lb)
Wymagania dotyczące zasilania (wewn.)	Akumulator litowo jonowy, 7.4V, 5.0Ah (5000mAh)
Wymagania dotyczące zasilania (zewn.)	wejście: 100 V – 240 V prąd przemienny, wyjście: 50/60 Hz, 12 V przy 3 A
Temperatura pracy (rozładowanie)	Od 5 do 50°C (od 41 do 122°F), maksymalnie 85% wilgotności względnej (bez kondensacji)
Temperatura ładowania	Od 5 do 45°C (od 41 do 113°F), maksymalnie 85% wilgotności względnej (bez kondensacji)
Temperatura przechowywania	Od -20 do 60°C (od -4 do 140°F), maksymalnie 85% wilgotności względnej (bez kondensacji)
Interfejs	Port Mini USB
5-stykowe złącze wejściowe	Dwa złącza M12 do sondy IntelliCal
Złącze zasilania zewnętrznego	Jack 2,5 mm
Gniazda kluczy Chemkey	4
Pamięć	1000 zmierzonych wartości (wynik, data, czas, ID miejsca, ID użytkownika)
Rejestracja danych	Automatycznie w trybie pomiaru Press to Read (Naciśnij, aby odczytać). Ręcznie w trybie pomiaru Continuous (Ciągły)
Korekcja temperatury (sondy IntelliCal™)	Wyłączone, automatyczne i ręczne (zależne od parametrów)
Blokada ekranu pomiarowego (sondy IntelliCal™)	Tryby Press to Read (Naciśnij, aby odczytać) i Continuous (Ciągły)
Stopień ochrony obudowy	III
Certyfikaty	CE, UKCA, FCC, ISED, RCM, KC
Gwarancja	1 rok

Rozdział 3 Ogólne informacje

W żadnej sytuacji producent nie ponosi odpowiedzialności za szkody wynikłe na skutek nieprawidłowego używania produktu lub nieprzestrzegania instrukcji podanych w podręczniku. Producent zastrzega sobie prawo do dokonania zmian w niniejszej instrukcji obsługi i w produkcie, której dotyczy w dowolnym momencie, bez powiadomienia lub zobowiązania. Na stronie internetowej producenta można znaleźć poprawione wydania.

3.1 Informacje dotyczące bezpieczeństwa

Producent nie ponosi odpowiedzialności za ewentualne szkody wynikłe z niewłaściwego stosowania albo użytkowania tego produktu, w tym, bez ograniczeń za szkody bezpośrednie, przypadkowe i wtórne, oraz wyklucza odpowiedzialność za takie szkody w pełnym zakresie dozwolonym przez obowiązujące prawo. Użytkownik jest wyłącznie odpowiedzialny za zidentyfikowanie krytycznych zagrożeń aplikacji i zainstalowanie odpowiednich mechanizmów ochronnych procesów podczas ewentualnej awarii sprzętu.

Prosimy przeczytać całą niniejszą instrukcję obsługi przed rozpakowaniem, włączeniem i rozpoczęciem użytkowania urządzenia. Należy zwrócić uwagę na wszystkie informacje dotyczące niebezpieczeństwa i kroków zapobiegawczych. Niezastosowanie się do tego może spowodować poważne obrażenia obsługującego lub uszkodzenia urządzenia.

Należy upewnić się, czy systemy zabezpieczające wbudowane w urządzenie pracują prawidłowo. Nie używać ani nie instalować tego urządzenia w inny sposób, aniżeli podany w niniejszej instrukcji.

3.1.1 Korzystanie z informacji o zagrożeniach

▲ NIEBEZPIECZEŃSTWO

Wskazuje potencjalnie lub bezpośrednio niebezpieczną sytuację, która — jeśli się jej nie zapobiegnie — doprowadzi do śmierci lub poważnych obrażeń.

▲ OSTRZEŻENIE

Wskazuje na potencjalną lub bezpośrednio niebezpieczną sytuację, która, jeżeli się jej nie uniknie, może doprowadzić do śmierci lub ciężkich obrażeń.

▲ UWAGA



Wskazuje na potencjalnie niebezpieczną sytuację, która może doprowadzić do mniejszych lub umiarkowanych obrażeń.

POWIADOMIENIE

Wskazuje sytuację, która — jeśli się jej nie zapobiegnie — może doprowadzić do uszkodzenia urządzenia. Informacja, która wymaga specjalnego podkreślenia.

3.1.2 Etykiety ostrzegawcze

Przeczytaj wszystkie etykiety dołączone do urządzenia. Nieprzestrzeganie zawartych na nich ostrzeżeń może doprowadzić do obrażeń ciała i/lub uszkodzenia urządzenia. Symbol umieszczony na urządzeniu jest zamieszczony w podręczniku i opatrzony informacją o należytych środkach ostrożności.

	Ten symbol, jeżeli znajduje się na przyrządzie, odsyła do instrukcji obsługi i/lub informacji dotyczących bezpieczeństwa.
	Urządzeń elektrycznych oznaczonych tym symbolem nie wolno wyrzucać do europejskich publicznych systemów utylizacji odpadów. Wyeksploatowane urządzenia należy zwrócić do producenta w celu ich utylizacji. Producent ma obowiązek przyjąć je bez pobierania dodatkowych opłat.

3.1.3 Certyfikaty

Ostrzeżenie EN 55011/CISPR 11

To jest produktem klasy A. W środowiskach domowych ten produkt może powodować zakłócenia radiowe i może być wymagane podjęcie odpowiednich środków przez jego użytkownika.

Kanadyjska regulacja prawna dotycząca sprzętu powodującego zakłócenia radiowe, ICES-003, klasa A:

Stosowne wyniki testów dostępne są u producenta.

Ten cyfrowy aparat klasy A spełnia wszystkie wymogi kanadyjskich regulacji prawnych dotyczących sprzętu powodującego zakłócenia.

Cet appareil numérique de classe A répond à toutes les exigences de la réglementation canadienne sur les équipements provoquant des interférences.

FCC Część 15, Ograniczenia Klasy "A"

Stosowne wyniki testów dostępne są u producenta. Niniejsze urządzenie spełnia warunki Części 15 Zasad FCC. Przy pracy obowiązują poniższe warunki:

1. Sprzęt nie może powodować szkodliwego zakłócenia.
2. Sprzęt musi akceptować wszelkie odbierane zakłócenia, w tym zakłócenia, które mogą powodować niepożądane działanie.

Zmiany oraz modyfikacje tego urządzenia, które nie zostały wyraźnie zaakceptowane przez stronę odpowiedzialną za zgodność, mogą spowodować pozbawienie użytkownika upoważnienia do korzystania z niniejszego urządzenia. To urządzenie zostało przetestowane i odpowiada ograniczeniom dla urządzenia cyfrowego klasy A, stosownie do części 15 zasad FCC. Ograniczenia te zostały wprowadzone w celu zapewnienia należytej ochrony przed szkodliwymi zakłóceniami, gdy urządzenie jest użytkowane w środowisku komercyjnym. Niniejsze urządzenie wytwarza, używa i może wydzielać energię o częstotliwości radiowej oraz, jeśli nie jest zainstalowane i używane zgodnie z instrukcją obsługi, może powodować szkodliwe zakłócenia w łączności radiowej. Istnieje prawdopodobieństwo, że wykorzystywanie tego urządzenia w terenie mieszkalnym może spowodować szkodliwe zakłócenia. W takim przypadku użytkownik jest zobowiązany do usunięcia zakłóceń na własny koszt. W celu zmniejszenia problemów z zakłóceniami można wykorzystać poniższe metody:

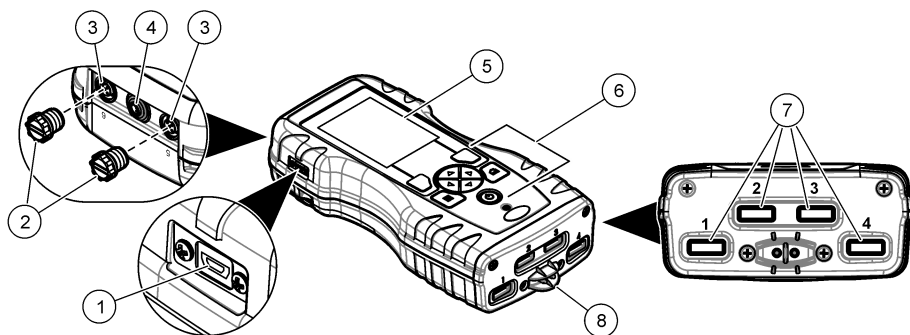
1. Odcłoczyć urządzenie od źródła zasilania, aby zweryfikować, czy jest ono źródłem zakłóceń, czy też nie.
2. Jeśli sprzęt jest podłączony do tego samego gniazdka co urządzenie wykazujące zakłócenie, podłączyć sprzęt do innego gniazdka.
3. Odsunąć sprzęt od zakłócanego urządzenia.
4. Zmienić pozycję anteny odbiorczej urządzenia zakłócanego.
5. Spróbować kombinacji powyższych metod.

3.2 Krótki opis produktu

Przenośny analizator równoległy SL1000 wykonuje pomiar do 6 parametrów jednocześnie, badając wodę pitną oraz czystą wodę do innych zastosowań. Do wykonywania różnych pomiarów wody miernik wykorzystuje technologię Chemkeys® i cyfrowe sondy IntelliCAL™. Miernik automatycznie rozpoznaje typ zastosowanego klucza Chemkey lub podłączonej sondy.

Miernik może wykonywać pomiary za pomocą nie więcej niż 2 kluczy Chemkey i nie więcej niż 2 sond. Zobacz [Rysunek 1](#).

Rysunek 1 Krótki opis produktu



1 Port Mini USB	5 Wyświetlacz
2 Zaślepki gniazd do podłączania sond	6 Blok przycisków
3 Gniazda do podłączania sond	7 Gniazda kluczy Chemkey
4 Port zasilania	8 Detektor próbek

3.3 Komponenty urządzenia

Upewnij się, że zostały dostarczone wszystkie komponenty. Zapoznaj się z dostarczoną dokumentacją. W przypadku braku lub uszkodzenia jakiegokolwiek elementu należy niezwłocznie skontaktować się z producentem lub z jego przedstawicielem handlowym.

Rozdział 4 Instalacja

⚠ OSTRZEŻENIE



Wiele zagrożeń. Tylko wykwalifikowany personel powinien przeprowadzać prace opisane w tym rozdziale niniejszego dokumentu.

4.1 Lithium battery safety

⚠ OSTRZEŻENIE



Niebezpieczeństwo pożaru i wybuchu. Materie litowe mogą się rozgrzewać, wybuchać lub zapalać się po narażeniu na nieodpowiednie warunki. Może to powodować poważne obrażenia.

- Nie należy używać wyraźnie uszkodzonej baterii.
- Nie używać baterii po narażeniu jej na silne wstrząsy lub wibracje.
- Nie narażać baterii na działanie ognia.
- Przechowywać baterię w temperaturze nieprzekraczającej 60 °C (140 °F).
- Przechowywać baterię w suchym miejscu i trzymać z dala od wody.
- Nie należy dopuszczać do stykania się dodatnich i ujemnych biegunów baterii.
- Nieuprawnione osoby nie powinny dotykać baterii.
- Baterię należy zutylizować zgodnie z lokalnymi, regionalnymi i krajowymi przepisami.

- Urządzenia nie należy stosować ani przechowywać w miejscu narażonym na bezpośrednie działanie promieni słonecznych, w pobliżu źródła ciepła oraz w miejscach o wysokiej temperaturze, takich jak zamknięty pojazd w bezpośrednim świetle słonecznym.

4.2 Wkładanie akumulatora

⚠ OSTRZEŻENIE



Niebezpieczeństwo pożaru i wybuchu. W tym urządzeniu może dojść do zapalenia się baterii litowej o dużej pojemności i spowodowania pożaru lub wybuchu, nawet bez zasilania. W celu zapewnienia bezpieczeństwa gwarantowanego przez obudowę urządzenia, pokrywy obudowy urządzenia muszą zostać zainstalowane i zabezpieczone za pomocą dołączonego wyposażenia.

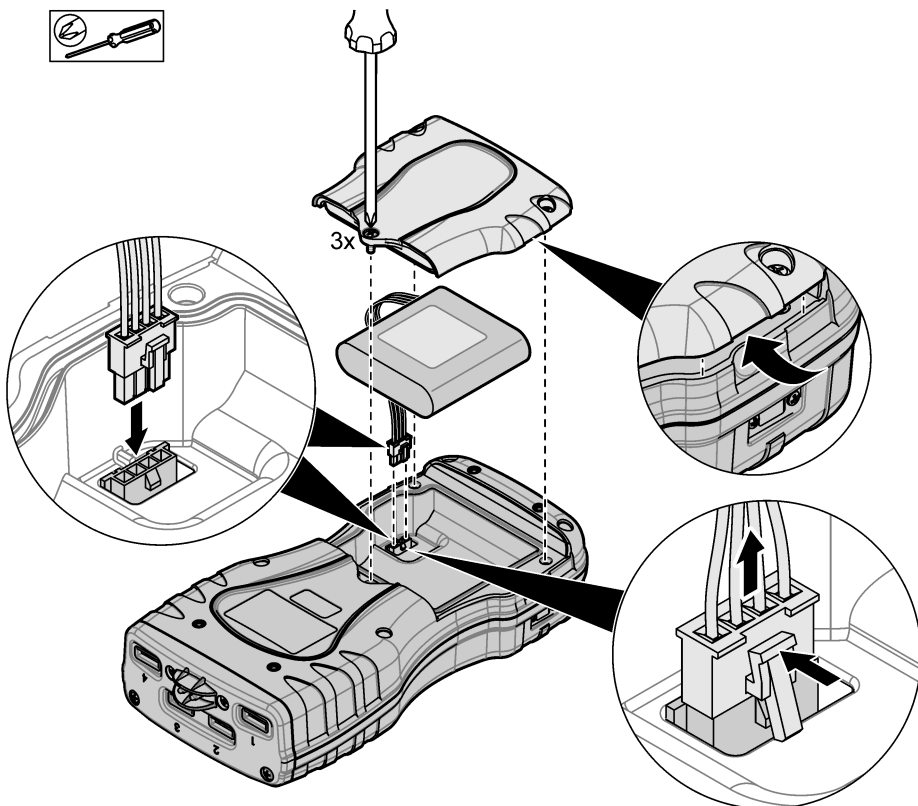
⚠ OSTRZEŻENIE



Zagrożenie wybuchowe i pożarowe. Niedozwolone jest stosowanie zastępczych baterii. Należy korzystać wyłącznie z baterii dostarczonych przed producenta.

Należy używać wyłącznie akumulatorów litowo-jonowych dostarczonych przez producenta. Aby uzyskać więcej informacji na temat wkładania i wyjmowania akumulatora, patrz [Rysunek 2](#).

Rysunek 2 Wkładanie i wyjmowanie akumulatora



4.3 Ładowanie baterii

▲ OSTRZEŻENIE



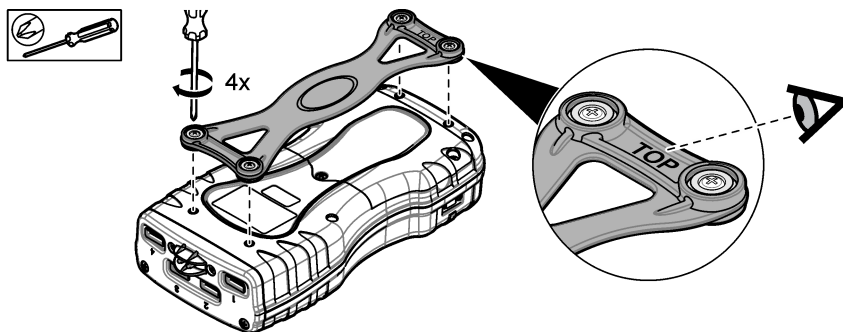
Niebezpieczeństwo pożaru. Używać tylko zewnętrznych zasilaczy przeznaczonych do współpracy z tym urządzeniem.

1. Podłączyć zewnętrzny zasilacz do gniazda prądu przemiennego.
2. Podłączyć zewnętrzny zasilacz do portu zasilania na mierniku. Zobacz [Krótki opis produktu](#) na stronie 191.
 - Podczas ładowania akumulatora można korzystać z urządzenia.
 - Nie używać zasilacza innego niż oryginalny. Używać wyłącznie zasilacza znajdującego się na liście części i akcesoriów do niniejszego przyrządu. Zobacz [Części zamienne i akcesoria](#) na stronie 209.
 - Nie ładować akumulatora dłużej niż 24 godziny.

4.4 Mocowanie paska

Aby zwiększyć bezpieczeństwo podczas trzymania miernika, można założyć pasek. Patrz [Rysunek 3](#).

Rysunek 3 Mocowanie paska

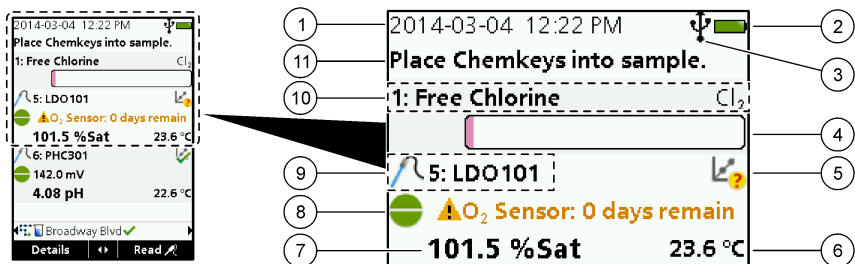


Rozdział 5 Interfejs użytkownika i nawigacja

5.1 Opis wyświetlacza

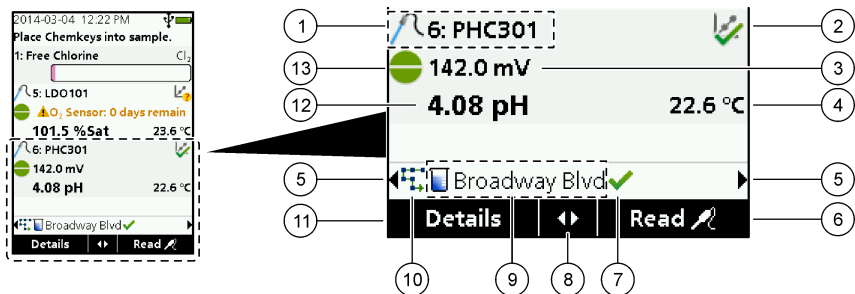
Opis ekranu pomiarowego można znaleźć w rozdziałach [Rysunek 4](#) i [Rysunek 5](#).

Rysunek 4 Ekran pomiarowy (górna część)



1 Data i godzina	7 Wartość pierwszego pomiaru (parametr wybierany przez użytkownika)
2 Informacje o stanie baterii	8 Ikona stabilności z ikoną ostrzegawczą i ostrzeżeniem
3 Ikona aktywnego połączenia USB (port COM) po wybraniu klasy komunikacji	9 Ikona sondy, numer portu, nazwa parametru lub sondy
4 Pasek postępu (trwa pomiar)	10 Numer gniazda, nazwa parametru i symbol chemiczny
5 Ikona statusu kalibracji (kalibracja nieprawidłowa)	11 Bardzo ważna informacja dotycząca urządzeń (poprzedzona komunikatem o błędzie i ostrzeżeniem)
6 Wartość drugiego pomiaru (parametr wybierany przez użytkownika)	

Rysunek 5 Ekran pomiarowy (dolna część)

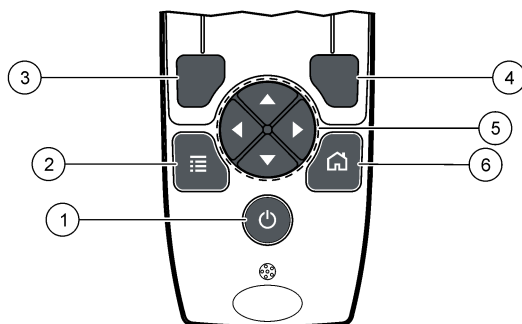


1 Ikona sondy, numer portu, nazwa parametru lub sondy	8 Aktywne klavisze strzałek
2 Ikona statusu kalibracji (kalibracja prawidłowa)	9 Identyfikator miejsca i nazwa miejsca
3 Wartość drugiego pomiaru (parametr wybierany przez użytkownika)	10 Ikona ścieżek (wyświetlana, jeśli ścieżki zostały włączone)
4 Wartość trzeciego pomiaru (parametr wybierany przez użytkownika)	11 Opcje (kontekstowo: szczegóły, wyjdź, usuń, zaznacz, cofnij zaznaczenie)
5 Strzałki w prawo i w lewo do wyboru odpowiedniego identyfikatora miejsca	12 Wartość pierwszego pomiaru (wybrana przez użytkownika)
6 Opcje (kontekstowo: odczyt, wybierz, OK, usuń)	13 Ikona stabilności
7 Symbol zaznaczenia: zakończono pomiar w danym miejscu	

5.2 Opis bloku przycisków

Skorzystaj z [Rysunek 6](#), aby zapoznać się z opisem klawiatury oraz z informacjami o nawigacji.

Rysunek 6 Opis bloku przycisków



1 Przycisk ZASILANIE	4 PRAWY przycisk wyboru (kontekstowo): odczytywanie próbek; usuwanie, zaznaczanie lub potwierdzanie opcji; otwieranie podmenu
2 Przycisk MENU GŁÓWNE: weryfikacja, kalibracja, ścieżki, ustawienia, rejestr danych, informacje, diagnostyka, identyfikatory operatora i miejsca	5 Przyciski nawigacyjne W GÓRĘ, W DÓŁ, W PRAWO, W LEWO ¹ : przewijanie przez menu, wprowadzenie liczb i liter.
3 LEWY przycisk wyboru (kontekstowo): dostęp do opcji Szczegóły; zaznaczanie i cofanie zaznaczenia; zamykanie bieżącego ekranu menu i przechodzenie do poprzedniego.	6 GŁÓWNY: powrót do głównego ekranu pomiarowego.

Rozdział 6 Rozruch

6.1 Włączanie zasilania

Nacisnąć przycisk **ZASILANIE**, aby włączyć miernik lub wyłączyć go. Jeśli zasilanie miernika nie włączy się, upewnić się, czy akumulator jest prawidłowo zainstalowany.

6.2 Zmiana ustawienia języka

Po włączeniu miernika po raz pierwszy należy ustawić język. W menu **Ustawienia** wybrać język.

1. Wybrać pozycję **Ustawienia>Język**.
2. Wybierz odpowiednią wersję językową.

6.3 Ustawianie daty i godziny

Istnieją dwie opcje ustawiania daty, godziny i formatu godziny:

- Ustawienie daty i godziny przy pierwszym włączeniu miernika.
- Ustawienie daty i godziny z menu Data i godzina.

1. Wybrać **Ustawienia>Miernik>Data i godzina**.
2. Za pomocą klawiszy strzałek wybrać format daty i godziny, a następnie wprowadzić aktualne wartości.
Aktualna data i godzina zostaną wyświetlone na wyświetlaczu i w zapisanych danych pomiarowych.

¹ W GÓRĘ, W DÓŁ: przechodzenie między pomiarami, jeśli są więcej niż cztery wartości;
W PRAWO, W LEWO: przechodzenie między identyfikatorami operatora i miejsca.

Rozdział 7 Standardowa obsługa

7.1 Używanie identyfikatorów operatorów

ID (identyfikator) operatora służy do przypisywania pomiarów osobom, które je wykonują. Wszystkie dane są zapisywane wraz z tym identyfikatorem.

Aby w prosty sposób zarządzać identyfikatorami operatora, można użyć aplikacji internetowej „tool.htm”. Skorzystaj z witryny internetowej producenta, aby uzyskać więcej informacji.

1. Nacisnąć przycisk **Menu główne>ID operatora**.
2. Wybrać opcję.

Opcja	Opis
Tryb	Włącza lub wyłącza funkcję identyfikatora operatora (domyślnie).
Wybierz	Umożliwia wybranie identyfikatora z listy. Bieżące ID zostanie powiązane z daną próbką aż do wyboru innego ID. Za pomocą przycisków strzałek W GÓRĘ i W DÓŁ na ekranie powitalnym wybrać identyfikator operatora. Na ekranie pomiarowym można wybrać identyfikator operatora przed umieszczeniem klucza Chemkey w gnieździe lub podłączeniem sondy.
Utwórz	Wprowadzić nazwę dla nowego identyfikatora operatora.
Usuń	Umożliwia usunięcie istniejącego identyfikatora operatora.

7.2 Używanie identyfikatorów miejsca

Wybrać znacznik identyfikatora miejsca, aby powiązać pomiary z określoną próbką lub lokalizacją. Zapisane dane będą zawierać ten identyfikator, jeśli został przypisany.

Aby w prosty sposób zarządzać identyfikatorami miejsca, można użyć aplikacji internetowej „tool.htm”. Skorzystaj z witryny internetowej producenta, aby uzyskać więcej informacji.

1. Nacisnąć przycisk **Menu główne>ID miejsca**.
2. Wybrać opcję.

Opcja	Opis
Tryb	Ustawianie funkcji identyfikatora miejsca do pracy w trybach: automatyczny, ręczny, wyłączony lub ścieżki. Manual (Ręczny) — służy do ręcznego wybierania identyfikatora miejsca. Auto (Automatyczny) — próbki są numerowane zgodnie z kolejnością pomiarów, dopóki nie zostanie wybrany inny identyfikator. Off (Wyłączony) — funkcja ID miejsca jest wyłączona (domyślnie). Routes (Ścieżki) — dostarcza uporządkowane podzestawy list zawierających zmierzone identyfikatory miejsca.
Wybierz	Umożliwia wybranie identyfikatora z listy. Bieżący identyfikator będzie powiązany z danymi tej próbki, dopóki nie zostanie wybrany inny identyfikator. Ustawić opcję ID miejsca>Pokaż w pozycji Tak. Za pomocą przycisków strzałek W PRAWO i W LEWO na ekranie pomiarowym wybrać aktualny identyfikator miejsca. Sprawdzić, czy opcja ID miejsca>Pokaż jest ustawiona w pozycji Tak, i czy do gniazda podłączono co najmniej jeden klucz Chemkey lub jedną sondę.
Utwórz	Dodaje nowy identyfikator miejsca.
Usuń	Usuwa istniejące identyfikatory miejsca. Uwaga: Aby usunąć identyfikator miejsca, wybrać tryb Manual (Ręczny) .
Show (Pokaż)	Wyświetla identyfikator miejsca na ekranie pomiarowym. Włączyć lub wyłączyć.
Routes (Ścieżki)	Wyświetla uporządkowaną listę identyfikatorów miejsca. Jeśli ścieżka została wybrana, identyfikatory miejsca są automatycznie wyświetlane na ekranie pomiarowym i zapisywane. Naciśnij strzałkę W PRAWO , aby wybrać następną lokalizację. Do ustawiania ścieżek można użyć aplikacji internetowej „tool.htm”. Skorzystaj z witryny internetowej producenta, aby uzyskać więcej informacji.
Uwagi	Zapisuje informacje i dodaje je do dziennika zdarzeń.

7.3 Wykonywanie pomiarów za pomocą kluczy Chemkey

POWIADOMIENIE

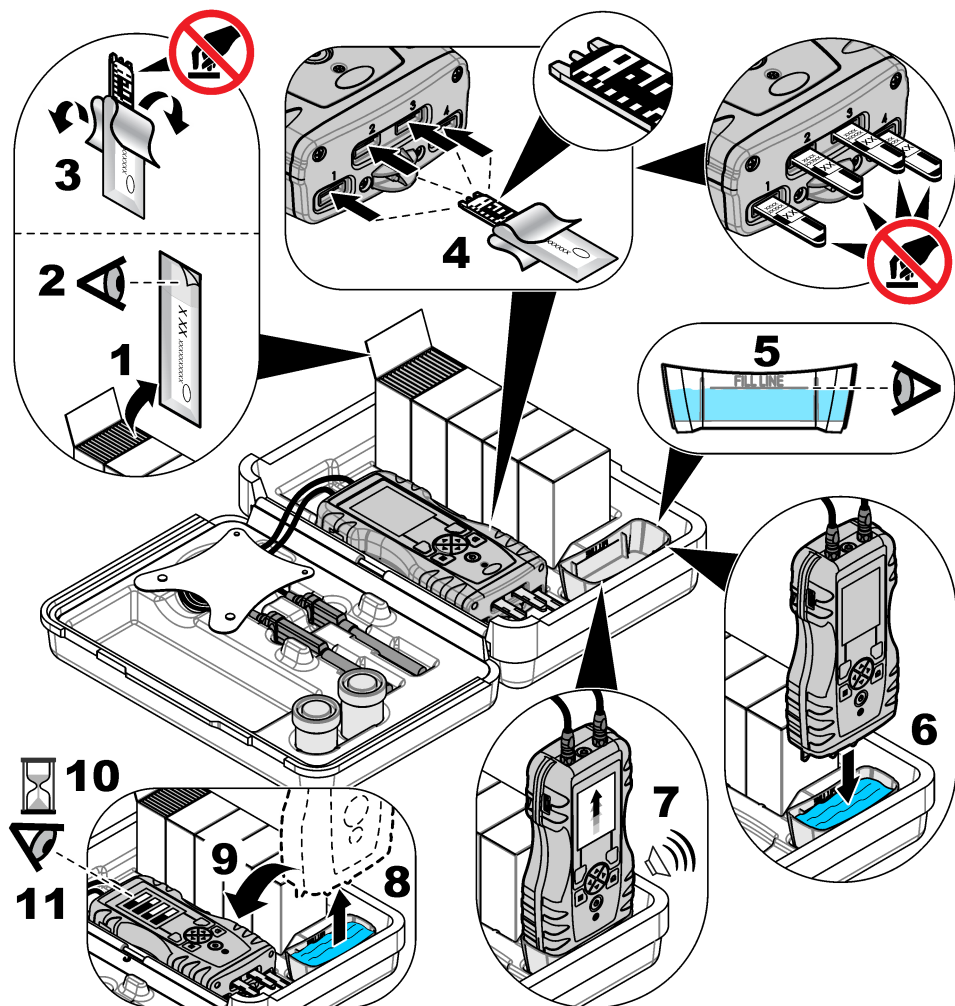
Nie rozpoczynać nowego pomiaru kluczem Chemkey przed ukończeniem innego pomiaru kluczem Chemkey. W celu przeprowadzenia pomiaru kluczem Chemkey umieścić miernik w próbce tylko raz.

Aby dokonać pomiaru za pomocą klucza lub kluczy Chemkey, wykonać procedury opisane poniżej. Zobacz [Rysunek 7](#). Można wykonywać pomiary za pomocą wielu sond jednocześnie. Zobacz [Przeprowadzanie pomiarów za pomocą sondy](#) na stronie 200.

1. Włączyć zasilanie miernika.
2. Jeśli wymagana jest całkowita identyfikowalność, przed rozpoczęciem pomiaru wprowadzić identyfikator miejsca i identyfikator operatora. Zobacz [Używanie identyfikatorów operatorów](#) na stronie 197 i [Używanie identyfikatorów miejsca](#) na stronie 197.
3. Jednym ruchem całkowicie wsunąć klucz Chemkey do gniazda od 1 do 4. Do każdego pomiaru stosować nowy klucz Chemkey. Ważne, aby do końca wsunąć klucz Chemkey do gniazda. Nie dotykać ani nie ruszać klucza Chemkey po umieszczeniu go w gnieździe.²
4. Oplukać pojemnik na próbkę testowaną próbką.
5. Pojemnik napęlić próbką do zaznaczonego poziomu.
6. Umieścić miernik w pojemniku na próbkę.
7. Odczekać do usłyszenia sygnału dźwiękowego lub wyświetlenia symbolu usunięcia miernika (po ok. 1 – 2 sekundach), następnie natychmiast usunąć miernik z pojemnika na próbkę. Odłożyć miernik do futerału i poczekać do zakończenia pomiaru. Parametry mają inne czasy reakcji. Na ekranie zostanie wyświetlony pasek postępu i czas pozostały do zakończenia pomiaru.
8. Wartości pomiaru są widoczne na wyświetlaczu.
*Uwaga: Aby uzyskać więcej informacji o wyświetlonym błędzie, wybrać opcję **Szczegóły**.*

² Do przeprowadzenia pomiaru wolnego amoniaku są potrzebne klucze Chemkey do badania monochloraminy i wolnego amoniaku.

Rysunek 7 Pomiar próbki za pomocą klucza Chemkey



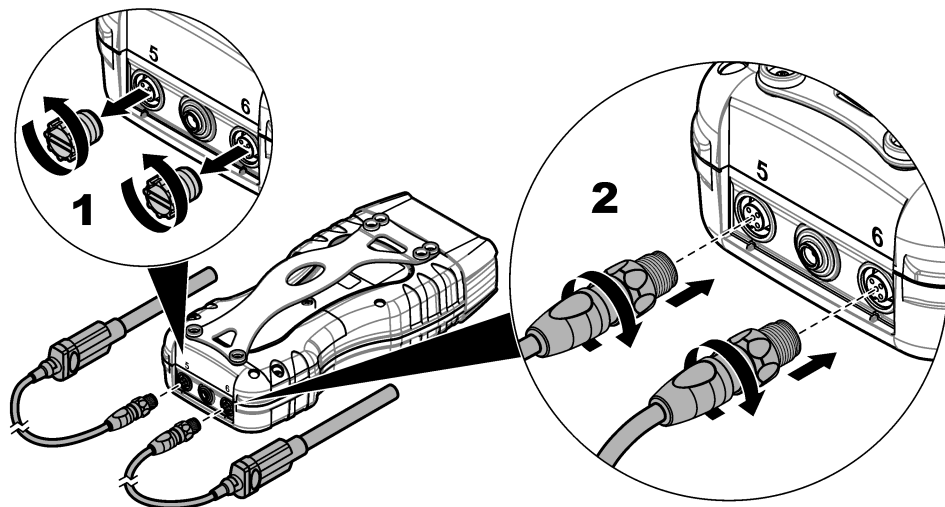
7.4 Podłączenie sondy

POWIADOMIENIE

Nie wyrzucać zaślepek gniazd do podłączania sond. Sprawdzić, czy zaślepki gniazd do podłączania sond są założone, jeśli nie jest podłączona żadna sonda.

Przed podłączeniem sondy sprawdzić czy na ekranie miernika wyświetlane są prawidłowe wartości daty i czasu. Zobacz [Rysunek 8](#).

Uwaga: Sygnatura czasowa dla sondy jest tworzona po podłączeniu jej po raz pierwszy do miernika. Dzięki utworzeniu tej sygnatury możliwe jest rejestrowanie danych historycznych i danych o czasie wykonania poszczególnych pomiarów.



7.5 Przeprowadzanie pomiarów za pomocą sondy

Aby przeprowadzić pomiary za pomocą sondy, należy wykonać następujące czynności. Zobacz [Rysunek 9](#). Można wykonywać pomiary za pomocą wielu modułów Chemkey jednocześnie. Zobacz [Wykonywanie pomiarów za pomocą kluczy Chemkey](#) na stronie 198.

1. Przed pierwszym użyciem należy skalibrować sondy. Patrz [Kalibracja sondy](#) na stronie 201.

Uwaga: Aby uzyskać najlepszą dokładność, należy kalibrować sondy codziennie.

2. Zanim sonda zostanie podłączona, w mierniku ustawić datę i czas. Zobacz [Ustawianie daty i godziny](#) na stronie 196.

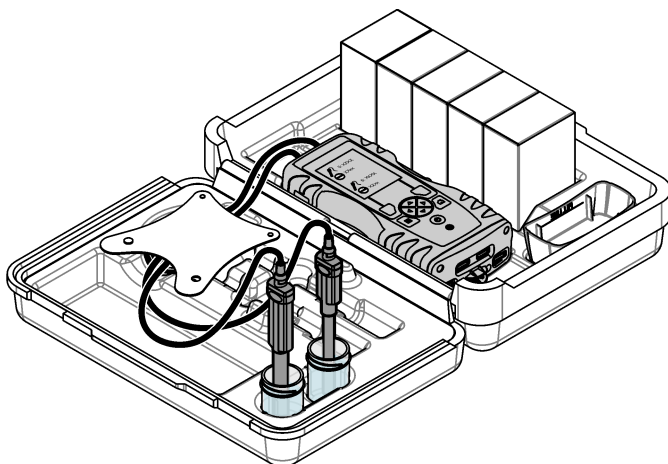
Miernik musi mieć ważne oznaczenie czasu przydatności do użycia.

3. Jeśli wymagana jest całkowita identyfikowalność, przed rozpoczęciem pomiaru wprowadzić identyfikator miejsca i identyfikator operatora. Zobacz [Używanie identyfikatorów operatorów](#) na stronie 197 i [Używanie identyfikatorów miejsca](#) na stronie 197.

4. Usunąć zaśleпки i podłączyć sondy do gniazd. Patrz [Rysunek 8](#) na stronie 200, aby podłączyć sondy.

Uwaga: Nie wyrzucać zaślepek gniazd do podłączania sond. Jeśli żadna sonda nie jest podłączona, ponownie założyć zaśleпки gniazd do podłączania sond.

5. Przepłukać butelkę próbką.
6. Wypełnić butelkę próbką, tak aby czujnik w całości znajdował się w próbce.
7. Włożyć próbkę lub próbki do butelki i nacisnąć opcję **Read (Odczyt)**, jeśli tryb pomiaru został ustawiony na **Press to Read (Naciśnij, aby odczytać)**. Szczegółowe informacje znajdują się w dokumentacji sondy.
8. Wartości pomiaru są widoczne na wyświetlaczu.




Rozdział 8 Kalibracja

▲ UWAGA



Narażenie na działanie substancji chemicznych. Stosować się do procedur bezpieczeństwa w laboratoriach i zakładach sprzęt ochrony osobistej, odpowiedni dla używanych substancji chemicznych. Protokoły warunków bezpieczeństwa można znaleźć w aktualnych kartach charakterystyki (MSDS/SDS) materiałów.

8.1 Kalibracja sondy

W przypadku każdej z sond jest używany inny rodzaj roztworu kalibracyjnego. Kalibrację sond należy wykonywać jak najczęściej, aby zapewnić możliwie najwyższy poziom dokładności pomiarów. Na mierniku zostanie wyświetlony status kalibracji. Jeśli kalibracja się nie powiedzie, zostanie wyświetlona ikona znaku zapytania  i pozostanie widoczna do czasu pomyślnego przeprowadzenia kalibracji. Jeśli kalibracja zostanie przeprowadzona pomyślnie, zostanie wyświetlony zielony symbol zaznaczenia. Szczegółowe instrukcje dotyczące procedury kalibracji można znaleźć w dokumentacji dołączanej do sondy danego typu. Skorzystaj z witryny internetowej producenta, aby uzyskać więcej informacji.

1. Podłączanie sondy.
2. Nacisnąć przycisk **Menu główne>Kalibracja**, aby rozpocząć kalibrację.
3. Wybrać odpowiednią sondę, jeśli podłączono więcej niż jedną.
Uwaga: Jeśli tylko jedna sonda jest podłączona, niniejszy krok nie zostanie wyświetlony.

4. Wykonać wyświetlane na ekranie instrukcje kalibracji sondy.

Uwaga: W przypadku sondy ISE w razie potrzeby należy nacisnąć strzałkę W PRAWO, aby przejść do kolejnej normy kalibracji. Pomierzyć normy zaczynając od niskiego stężenia i kończąc na wysokim.

5. Jeśli to konieczne, przeprowadzić weryfikację. Zobacz [Weryfikacja sondy](#) na stronie 202.

8.2 Kalibracja fabryczna

Producent zaleca coroczną pełną kalibrację fabryczną, aby upewnić się, że system działa zgodnie z przeznaczeniem. Należy skontaktować się z centrum serwisowym Hach obsługującym daną lokalizację.

8.3 Kalibrowanie miernika dla określonego parametru klucza Chemkey

Każdy klucz Chemkey wykorzystuje inne ustawienia kalibracji. Skorzystaj z witryny internetowej producenta, aby uzyskać więcej informacji.

1. Jednym ruchem powoli wsunąć klucz Chemkey do gniazda od 1 do 4.
2. Nacisnąć przycisk **Menu główne>Kalibracja**, aby rozpocząć kalibrację.
3. Wybrać odpowiedni klucz Chemkey.
4. Wprowadzić odpowiednią standardową wartość dopasowania.
5. Wykonać wyświetlane na ekranie instrukcje kalibracji klucza Chemkey.
6. Jeśli to konieczne, przeprowadzić weryfikację. Zobacz [Weryfikacja kluczy Chemkey](#) na stronie 202.

8.4 Weryfikacja sondy

1. Nacisnąć przycisk **Menu główne>Weryfikacja**, aby rozpocząć weryfikację.
2. Wybrać odpowiednie urządzenie.
3. Wykonać instrukcje wyświetlane na ekranie w celu weryfikacji.

*Uwaga: Aby zmienić normę używaną do weryfikacji, wybierz opcję **Menu główne > Ustawienia > Sonda >[Wybierz sondę] >Opcje weryfikacji >Norma**.*

8.5 Weryfikacja kluczy Chemkey

Weryfikację kluczy Chemkey można przeprowadzić na dwa sposoby. Do przeprowadzenia weryfikacji użyć klucza Chemkey o określonym parametrze lub klucza Chemkey weryfikacji systemowej. Zobacz [Części zamienne i akcesoria](#) na stronie 209.

• Klucz Chemkey o określonym parametrze:

1. Do gniazda od 1 do 4 jednym ruchem powoli wsunąć klucz Chemkey o określonym parametrze.
2. Następnie nacisnąć przycisk **Menu główne>Weryfikacja**, aby rozpocząć weryfikację.
3. Wykonać czynności według wskazówek w menu.

• Klucz Chemkey weryfikacji systemowej:

1. Nacisnąć przycisk **Menu główne>Weryfikacja**, aby rozpocząć weryfikację.
2. Następnie jednym ruchem włożyć powoli klucz Chemkey weryfikacji systemowej do pierwszego gniazda.
3. Wykonać czynności według wskazówek w menu.

Rozdział 9 Rejestr danych

Rejestr danych zawiera wszystkie zapisane pomiary.

1. Nacisnąć przycisk **Menu główne>Rejestr danych**.
2. Wybrać opcję.

Opcja	Opis
All Logs by Date (Wszystkie wpisy według daty)	Wyświetla wyniki pomiaru próbki, takie jak: nazwa próbki, numer seryjny próbki, wartość, jednostka, temperatura, godzina, data, uwagi, identyfikator operatora, identyfikator miejsca oraz informacje dotyczące kalibracji. Na ekranie wyświetlany jest ostatni pomiar. Nacisnąć strzałkę W LEWO, aby wyświetlić poprzednie pomiary.
Current Cal on Probe (Bieżąca kalibracja próbek)	Wyświetla informacje dotyczące ostatniej kalibracji. Jeśli sonda nie została jeszcze skalibrowana przez użytkownika, pokazywane są dane dotyczące kalibracji fabrycznej.

Opcja	Opis
Cal History on Probe (Historia kalibracji próbek)	Wyświetla listę kalibracji sondy z datami. Wybranie pozycji opatrzonej żądaną datą i godziną spowoduje wyświetlenie podsumowania dotyczącego danych kalibracji.
Delete data log (Usuń rejestr danych)	Usuwa od razu wszystkie dane miernika. Dane urządzenia zostaną zachowane.

9.1 Importowanie danych do programu Excel

⚠ OSTRZEŻENIE



Niebezpieczeństwo porażenia prądem. Podłączone urządzenia zewnętrzne muszą spełniać normy bezpieczeństwa danego kraju.

Rejestr danych jest przechowywany w mierniku w formacie XML. W arkuszu kalkulacyjnym programu Excel można przechowywać następujące informacje: identyfikator miejsca, sekwencja, data i godzina, parametr, wartość pomiaru, identyfikator operatora, gniazdo #, numer partii klucza Chemkey oraz numer seryjny miernika.

1. Włącz zasilanie miernika.
2. Za pomocą kabla USB podłącz miernik do komputera. Miernik zostanie wyświetlony na komputerze jako dysk o nazwie „Hach Portable Parallel Analysis” (Przenośny analizator równoległy firmy Hach).
3. Na dysku otworzyć folder „DataTemplate”.
4. Otworzyć plik „LogTemplate.xltx”.
5. Prawym przyciskiem myszy kliknąć komórkę „A2” i wybrać pozycję XML>Importuj.
6. Na dysku „Hach Portable Parallel Analysis” (Przenośny analizator równoległy firmy Hach) z folderu „Data” (Dane) wybrać wszystkie pliki rejestru.
7. Kliknąć polecenie **Importuj**.
Rejestr danych zostaje wyświetlony w arkuszu kalkulacyjnym programu Excel.
8. Jeśli to konieczne, zapisać plik na komputerze lub pamięci USB.
9. Bezpiecznie odłączyć miernik od komputera. Na pasku zadań kliknąć ikonę zielonej strzałki „Bezpieczne usuwanie sprzętu i wysuwanie nośników”.
Uwaga: Niektóre ikony mogą się pojawić dopiero po naciśnięciu przycisku „Pokaż ukryte ikony” znajdującego się na pasku zadań.
10. Odłączyć kabel USB od miernika.

9.2 Wyświetlanie danych w przeglądarce internetowej

Aby wyświetlić rejestr danych w przeglądarce internetowej, należy wykonać następujące czynności. W wybranej przeglądarce internetowej można przechowywać następujące informacje: identyfikator miejsca, sekwencja, data i godzina, parametr, wartość pomiaru, identyfikator operatora, gniazdo #, numer partii klucza Chemkey oraz numer seryjny miernika.

1. Włącz zasilanie miernika.
2. Za pomocą kabla USB podłącz miernik do komputera. Miernik zostanie wyświetlony na komputerze jako dysk o nazwie „Hach Portable Parallel Analysis” (Przenośny analizator równoległy firmy Hach).
3. Na dysku otworzyć folder „Data” (Dane).
4. Otworzyć plik rejestru danych.
 - W dowolnej przeglądarce otworzyć dokument „LogNN.XML” (NN = liczby od 0 do 9).
 - W przeglądarce internetowej kliknąć polecenie **Plik>Otwórz** i odszukać folder „Data” (Dane).
5. Jeśli to konieczne, zapisać plik na komputerze lub pamięci USB.

- Bezpiecznie odłączyć miernik od komputera. Na pasku zadań kliknąć ikonę zielonej strzałki „Bezpieczne usuwanie sprzętu i wysuwanie nośników”.

Uwaga: Niektóre ikony mogą się pojawić dopiero po naciśnięciu przycisku „Pokaż ukryte ikony” znajdującego się na pasku zadań.

- Odłączyć kabel USB od miernika.

Rozdział 10 Konserwacja

▲ OSTRZEŻENIE



Wiele zagrożeń. Tylko wykwalifikowany personel powinien przeprowadzać prace opisane w tym rozdziale niniejszego dokumentu.

▲ UWAGA



Narażenie na działanie substancji chemicznych. Stosować się do procedur bezpieczeństwa w laboratoriach i zakładać sprzęt ochrony osobistej, odpowiedni dla używanych substancji chemicznych. Protokoły warunków bezpieczeństwa można znaleźć w aktualnych kartach charakterystyki (MSDS/SDS) materiałów.

▲ UWAGA



Narażenie na działanie substancji chemicznych. Usuwać substancje chemiczne i odpady zgodnie z przepisami lokalnymi, regionalnymi i państwowymi.

10.1 Czyszczenie rozłąk

▲ UWAGA



Narażenie na działanie substancji chemicznych. Usuwać substancje chemiczne i odpady zgodnie z przepisami lokalnymi, regionalnymi i państwowymi.

- Należy stosować się do wszystkich zakładowych przepisów bezpieczeństwa w zakresie kontroli rozłąk.
- Odpady należy wyrzucać zgodnie z obowiązującymi przepisami.

10.2 Czyszczenie urządzenia

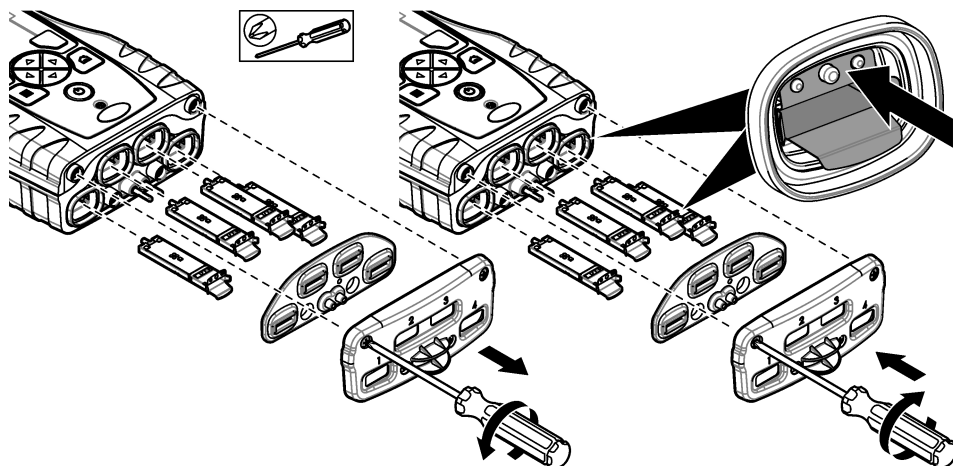
Oczyść zewnętrzną powierzchnię urządzenia wilgotną ściereczką i łagodnym roztworem mydła, a następnie wytrzyj urządzenie do sucha.

10.3 Czyszczenie lub wymiana części

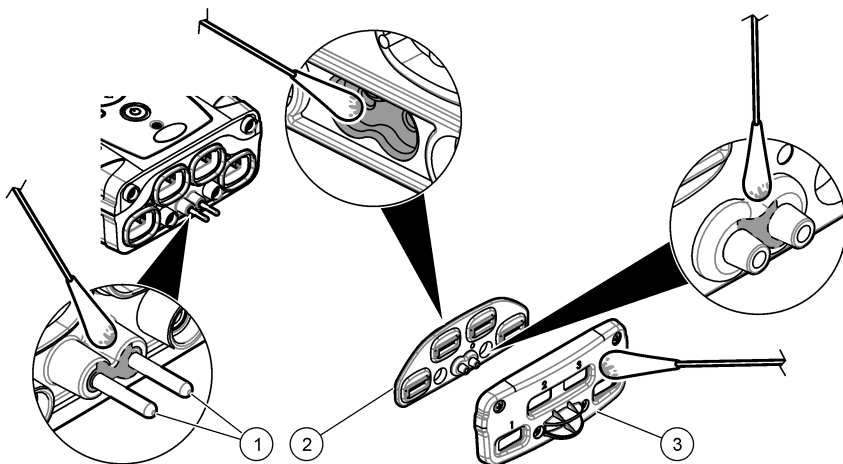
W przypadku wystąpienia określonych błędów i ostrzeżeń wymagane jest przeprowadzenie czyszczenia gniazd kluczy Chemkey, okna optycznego, okienka kodu kreskowego, detektora próbek lub należy wymienić tacki. Do czyszczenia części używać alkoholu izopropylowego. Osłonę światła czyścić wodą i łagodnym środkiem czyszczącym. Przesuwać aplikator z końcówką bawełnianą wyłącznie w jednym kierunku. Patrz [Rysunek 10](#), aby usunąć pokrywę systemu optycznego, osłonę światła oraz tacki. Więcej informacji na temat procedury czyszczenia można znaleźć w sekcjach [Rysunek 11](#) i [Rysunek 12](#).

Potrzebne elementy: Aplikator z bawełnianą końcówką, alkohol izopropylowy, woda i łagodny środek czyszczący

Rysunek 10 Demontowanie i ponowne składanie elementów

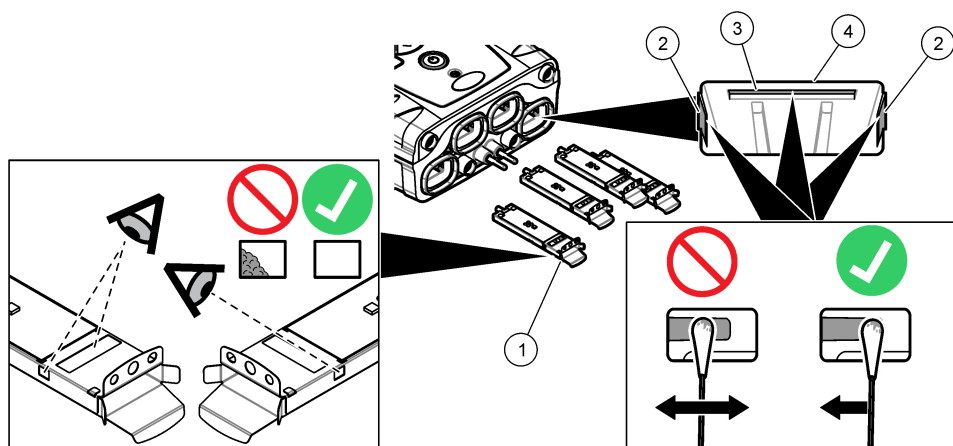


Rysunek 11 Czyszczenie detektora próbek, osłony światła i pokrywy



1 Detektor próbek	3 Pokrywa systemu optycznego
2 Osłona światła	

Rysunek 12 Czyszczenie tacek i gniazd kluczy Chemkey



1 Tacka	3 Okienko kodu kreskowego
2 Okno optyczne	4 Gniazdo klucza Chemkey

10.4 Ładowanie lub wymiana akumulatora

Naładować akumulator, jeśli jego poziom naładowania jest niski. Wymieniać akumulator, gdy osiągnięcie stanu pełnego naładowania nie jest możliwe. Należy używać akumulatorów zgodnych ze specyfikacją dostarczoną przez producenta. Zobacz [Wkładanie akumulatora](#) na stronie 193 i [Części zamienne i akcesoria](#) na stronie 209.

10.5 Przygotowanie do wysyłki

POWIADOMIENIE

Potencjalne uszkodzenie urządzenia. Przed wysyłką osuszyć przyrząd, aby nie doszło do jego uszkodzenia w wyniku działania niskich temperatur.

Przed wysłaniem przyrządu do producenta skontaktować się z działem pomocy technicznej.

- Przed wysyłką wyczyścić i odkazić przyrząd.
- Wysłać przyrząd z zainstalowanym, ale nie podłączonym akumulatorem.
- Przed wysyłką odłączyć sondy i usunąć klucze Chemkey.
- Wysłać przyrząd w oryginalnym pudełku lub w innym bezpiecznym opakowaniu.

Rozdział 11 Usuwanie usterek

Błąd/Ostrzeżenie	Możliwa przyczyna	Rozwiązanie
Błąd odczytu kodu kreskowego Wymij i wóź odczynnik Chemkey.	Moduł Chemkey nie działa prawidłowo. Moduł Chemkey nie jest zainstalowany prawidłowo.	<ul style="list-style-type: none"> Ponownie włożyć moduł Chemkey do gniazda. Użyć nowego modułu Chemkey. Wyczyścić okienko kodu kreskowego. Zobacz Rysunek 12 na stronie 206. Jeżeli problem nadal występuje, skontaktować się z działem pomocy technicznej.
Błąd pobierania próbki.	Moduł Chemkey nie działa prawidłowo. Moduł Chemkey nie jest całkowicie wsunięty do gniazda.	Użyć nowego modułu Chemkey i włożyć go do końca do gniazda. Jeżeli problem nadal występuje, skontaktować się z działem pomocy technicznej.
Nieszczelny moduł Chemkey. Użyć innego odczynnika		
Moduł Chemkey stracił ważność.	Czas ważności modułu Chemkey dobiegł końca.	
Błąd pomiaru (1 – 4)	W określonym gnieździe wystąpił błąd.	
Parametr nie jest obsługiwany	Parametr jest niedostępny w zainstalowanym oprogramowaniu urządzenia.	Zaktualizować oprogramowanie urządzenia. Wyszukać „SL1000” na stronie www.hach.com . Przejść do części Downloads>Software/Firmware (Pobieranie>Oprogramowanie/oprogramowanie układowe) i postępować zgodnie z instrukcjami na stronie.
Moduł Chemkey zużyty — wymienić	Moduł Chemkey już został użyty lub do gniazda dostała się woda.	Użyć nowego modułu Chemkey. Jeśli problem nadal występuje, osuszyć gniazdo i urządzenie, po czym spróbować ponownie. Jeżeli problem nadal występuje, skontaktować się z działem pomocy technicznej.
Tacka nieszczelna. Wymienić tackę.	Wystąpił problem z tacką, na której dokonywany jest pomiar.	Wymienić tackę. Zobacz Rysunek 10 na stronie 205. Jeżeli problem nadal występuje, skontaktować się z działem pomocy technicznej.
Błąd grzejnika Wymień tackę	Tacka nie działa prawidłowo.	
Usunąć z próbki.	Miernik został włożony do próbki zanim osiągnął stan gotowości do użycia.	Zaczekać, aż miernik będzie gotowy do umieszczenia w próbce.
Zbyt wcześnie usunięto próbkę		Wprowadzić inny moduł Chemkey do gniazda. Zaczekać, aż miernik będzie gotowy do umieszczenia w próbce.
Zbyt dużo czasu w próbce	Moduł Chemkey pozostawiony w próbce zbyt długo. Wystąpił błąd pomiaru.	Po pojawieniu się komunikatu natychmiast usunąć moduły Chemkey.
	Jeśli pojawia się to ostrzeżenie, a miernik nie znajduje się w próbce, oznacza to, że obszar styku detektora próbek jest zabrudzony.	Wyczyścić obszar styku detektora próbek. Zobacz Czyszczenie lub wymiana części na stronie 204. Jeżeli problem nadal występuje, skontaktować się z działem pomocy technicznej.
Wykroczone poza górną granicę zakresu	Stężenie wynosi więcej niż górny limit dla aktualnej metody.	Rozcieńczyć próbkę i wykonać pomiar ponownie.
Wykroczone poza dolną granicę zakresu	Stężenie wynosi mniej niż dolny limit dla aktualnej metody.	—

Błąd/Ostrzeżenie	Możliwa przyczyna	Rozwiązanie
Tacka zbyt zimna.	Miernik może być zbyt zimny, aby ogrzać tackę lub podgrzewacz nie działa prawidłowo.	Przenieść miernik do miejsca, w którym jest wyższa temperatura otoczenia i wykonać pomiar ponownie. Wymienić tackę.
Tacka zbyt gorąca.	Miernik jest zbyt gorący, aby wykonać prawidłowy pomiar.	Ochłodzić miernik lub przenieść w miejsce, w którym temperatura otoczenia jest niższa.
Zbyt dużo światła z otoczenia. Wkładać moduł Chemkey w bardziej zaciemnionym miejscu	Zbyt dużo światła z otoczenia, aby odczytać kod kreskowy.	Umieścić miernik w bardziej zaciemnionym miejscu i włożyć ponownie moduł Chemkey do gniazda.
Zbyt mało światła. Wyczyścić gniazdo modułu Chemkey.	Moduł Chemkey nie działa prawidłowo. Moduł Chemkey nie jest zainstalowany prawidłowo.	<ul style="list-style-type: none"> Jednym ruchem włożyć moduł Chemkey do gniazda. Użyć nowego modułu Chemkey. Wyczyścić gniazdo modułu Chemkey. Zobacz Rysunek 12 na stronie 206. Jeżeli problem nadal występuje, skontaktować się z działem pomocy technicznej.
Przyrząd wymaga serwisowania.	Błąd modułu.	Użyć modułów, które działają prawidłowo. W celu naprawy uszkodzonego modułu skontaktować się z działem pomocy technicznej.
Nie znaleziono próbki.	<ul style="list-style-type: none"> Pojemnik na próbkę nie jest wypełniony do oznaczonego poziomu. Przewodność próbki wynosi mniej niż 2 $\mu\text{S}/\text{cm}$. 	<ul style="list-style-type: none"> Sprawdzić, czy pojemnik na próbkę jest wypełniony do oznaczonego poziomu. Sprawdzić, czy przewodność próbki jest większa niż 2 $\mu\text{S}/\text{cm}$. Czyszczenie detektora próbek. Zobacz Rysunek 11 na stronie 205. Jeżeli problem nadal występuje, skontaktować się z działem pomocy technicznej.

11.1 Wykonaj test diagnostyczny

Menu diagnostyczne zawiera informacje dotyczące bieżącej wersji miernika i opcje formatowania karty pamięci.

- Nacisnąć przycisk **Menu główne>Diagnostyka**.
- Wybrać opcję.

Opcja	Opis
Miejsce na dysku	Pokazuje ilość wolnego miejsca na pamięci użytkownika i na pamięci wewnętrznej.
Config Versions (Konfiguracja wersji)	Pokazuje wersje konfiguracji ustawień miernika.
Method Versions (Wersje metody)	Wyświetla wersje metody miernika.
Format Memory (Formatowanie pamięci)	Usuwa wszystkie dane miernika. Uwaga: Po zastosowaniu opcji Format Memory (Formatowanie pamięci) wszystkie dane (np. konfiguracja miernika, identyfikatory miejsca, identyfikatory operatora, szlaki, notatki, wzory i wiele innych) zostaną utracone.

Rozdział 12 Części zamienne i akcesoria

▲ OSTRZEŻENIE



Niebezpieczeństwo uszkodzenia ciała. Stosowanie niezatwierdzonych części grozi obrażeniami ciała, uszkodzeniem urządzenia lub nieprawidłowym działaniem osprzętu. Części zamienne wymienione w tym rozdziale zostały zatwierdzone przez producenta.

Uwaga: Numery produktów i części mogą być różne w różnych regionach. Należy skontaktować się z odpowiednim dystrybutorem albo znaleźć informacje kontaktowe na stronie internetowej firmy.

Informacje znajdują się w części „Części zamienne i akcesoria” rozszerzonej wersji instrukcji obsługi.

Innehållsförteckning

- | | |
|--|---|
| 1 Onlineanvändarhandbok på sidan 210 | 7 Standardåtgärd på sidan 218 |
| 2 Specifikationer på sidan 210 | 8 Kalibrering på sidan 222 |
| 3 Allmän information på sidan 211 | 9 Datalogg på sidan 223 |
| 4 Installation på sidan 213 | 10 Underhåll på sidan 225 |
| 5 Användargränssnitt och navigering på sidan 215 | 11 Felsökning på sidan 228 |
| 6 Start på sidan 217 | 12 Reservdelar och tillbehör på sidan 229 |

Avsnitt 1 Onlineanvändarhandbok

Den här grundläggande användarhandboken innehåller mindre information än användarhandboken, som finns på tillverkarens webbplats.

Avsnitt 2 Specifikationer

Specifikationer kan ändras utan föregående meddelande.

Specifikation	Detaljer
Dimensioner (B x D x H)	13,08 x 5,89 x 25,83 cm (5,15 x 2,32 x 10,17 tum)
Höljets skyddsklass	IP64 med skydd isatta för mätarens anslutningsportar för elektroder eller med elektroderna anslutna till instrumentet
Vikt	1,2 kg (2,7 lb)
Strömförsörjning (intern)	Laddningsbart litiumjonbatteri, 7,4V, 5.0Ah (5000mAh)
Strömförsörjning (extern)	100 V–240 VAC, 50/60 Hz ineffekt, 12 V vid 3 A uteffekt
Drifttemperatur (Lämna ut)	5 till 50 °C (41 till 122 °F), maximalt 85 % relativ luftfuktighet, icke-kondenserande
Temperatur vid laddning	5 till 45 °C (41 till 113 °F), maximalt 85 % relativ luftfuktighet, icke-kondenserande
Lagringstemperatur	–20 till 60 °C (–4 till 140 °F), maximalt 85 % relativ luftfuktighet, icke-kondenserande
Gränssnitt	Mini-USB-port
5-stifts ingångskontakt	Två M12-kontakter för IntelliCal-prober
Extern nätanslutning	2,5 mm-jack
Chemkey-öppningar.	4
Dataminne	1 000 mätvärden (resultat, datum, tid, plats-ID, användar-ID)
Datalagring	Automatisk i läget Press to Read (tryck för att läsa av). Manuellt i läget för kontinuerlig mätning
Temperaturkorrigering (för IntelliCal™-elektroder)	Av, automatisk och manuell (parameterberoende)
Mätdisplaylås (för IntelliCal™-elektroder)	Läget Press to Read (tryck för att läsa av) och kontinuerlig mätning
Skyddsklass	III
Certifieringar	CE, UKCA, FCC, ISED, RCM, KC
Garanti	1 år

Avsnitt 3 Allmän information

Tillverkaren kommer under inga omständigheter att hållas ansvarig för skador som uppstår på grund av felaktig användning av produkten eller underlåtenhet att följa instruktionerna i manualen. Tillverkaren förbehåller sig rätten att göra ändringar i denna bruksanvisning och i produkterna som beskrivs i den när som helst och utan föregående meddelande och utan skyldigheter. Reviderade upplagor finns på tillverkarens webbsida.

3.1 Säkerhetsinformation

Tillverkaren tar inget ansvar för skador till följd av att produkten används på fel sätt eller missbrukas. Det omfattar utan begränsning direkta skador, oavsiktliga skador eller följskador. Tillverkaren avsäger sig allt ansvar i den omfattning gällande lag tillåter. Användaren är ensam ansvarig för att identifiera kritiska användningsrisker och installera lämpliga mekanismer som skyddar processer vid eventuella utrustningsfel.

Läs igenom hela handboken innan instrumentet packas upp, monteras eller startas. Följ alla färo- och varningshänvisningar. Om dessa anvisningar inte följs kan användaren utsättas för fara eller utrustningen skadas.

Kontrollera att skyddet som ges av den här utrustningen inte är skadat. Utrustningen får inte användas eller installeras på något annat sätt än så som specificeras i den här handboken.

3.1.1 Anmärkning till information om risker

▲ FARA

Indikerar en potentiellt eller överhängande riskfylld situation som kommer att leda till livsfarliga eller allvarliga skador om den inte undviks.

▲ VARNING

Indikerar en potentiellt eller överhängande riskfylld situation som kan leda till livsfarliga eller allvarliga skador om situationen inte undviks.

▲ FÖRSIKTIGHET



Indikerar en potentiellt riskfylld situation som kan resultera i lindrig eller måttlig skada.

ANMÄRKNING:

Indikerar en potentiellt riskfylld situation som kan medföra att instrumentet skadas. Information som användaren måste ta hänsyn till vid hantering av instrumentet.

3.1.2 Varningsdekal

Beakta samtliga dekaler och märken på instrumentet. Personskador eller skador på instrumentet kan uppstå om de ej beaktas. En symbol på instrumentet beskrivs med en försiktighetsvarning i bruksanvisningen .

	Denna symbol, om den finns på instrumentet, refererar till bruksanvisningen angående drifts- och/eller säkerhetsinformation.
	Elektrisk utrustning markerad med denna symbol får inte avyttras i europeiska hushållsavfallssystem eller allmänna avfallssystem. Returnera utrustning som är gammal eller har nått slutet på sin livscykel till tillverkaren för avyttring, utan kostnad för användaren.

3.1.3 Certifiering

EN 55011/CISPR 11-varningsmeddelande

Det här är en klass A-produkt. I hemmiljö kan denna produkt orsaka radiostörningar, och då kan användaren behöva vidta lämpliga åtgärder.

Canadian Radio Interference-causing Equipment Regulation, ICES-003, Klass A:

Referenstestresultat finns hos tillverkaren.

Den digitala apparaten motsvarar klass A och uppfyller alla krav enligt kanadensiska föreskrifter för utrustning som orsakar störning.

Cet appareil numérique de classe A répond à toutes les exigences de la réglementation canadienne sur les équipements provoquant des interférences.

FCC del 15, klass "A" gränser

Referenstestresultat finns hos tillverkaren. Denna utrustning uppfyller FCC-reglerna, del 15.

Användning sker under förutsättning att följande villkor uppfylls:

1. Utrustningen bör inte orsaka skadlig störning.
2. Utrustningen måste tåla all störning den utsätts för, inklusive störning som kan orsaka driftsstörning.

Ändringar eller modifieringar av utrustningen, som inte uttryckligen har godkänts av den part som ansvarar för överensstämelsen, kan ogiltigförklara användarens rätt att använda utrustningen. Den här utrustningen har testats och faller inom gränserna för en digital enhet av klass A i enlighet med FCC-reglerna, del 15. Dessa gränser har tagits fram för att ge rimligt skydd mot skadlig störning när utrustningen används i en kommersiell omgivning. Utrustningen genererar, använder och kan utstråla radiofrekvensenergi och kan, om den inte installeras och används enligt handboken, leda till skadlig störning på radiokommunikation. Användning av utrustningen i bostadsmiljö kan orsaka skadlig störning. Användaren ansvarar då för att på egen bekostnad korrigera störningen. Följande tekniker kan användas för att minska problemen med störningar:

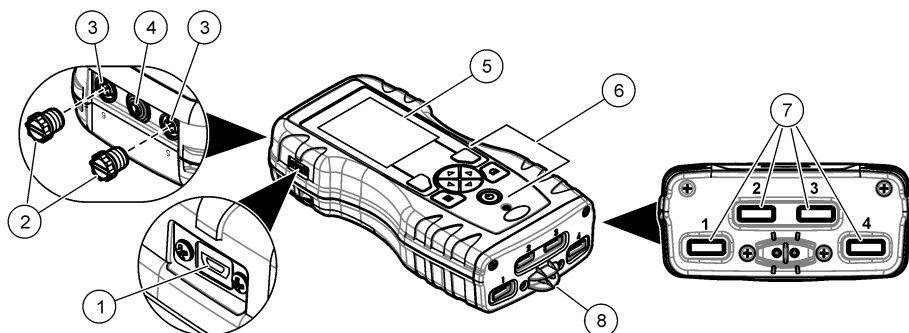
1. Koppla ifrån utrustningen från strömkällan för att kontrollera om detta utgör orsaken till störningen eller inte.
2. Om utrustningen är kopplad till samma uttag som enheten som störs ska den kopplas till ett annat uttag.
3. Flytta utrustningen bort från den utrustning som tar emot störningen.
4. Positionera om mottagningsantennen för den utrustning som tar emot störningen.
5. Prova med kombinationer av ovanstående.

3.2 Produktöversikt

Den bärbara parallellanalysatorn SL1000 mäter maximalt sex parametrar samtidigt i dricksvatten och andra renvattenstillämpningar. Mätaren använder Chemkeys® och digitala IntelliCAL™-elektroder för att mäta olika parametrar i vatten. Mätaren identifierar automatiskt typen av Chemkey som installerats eller den typ av elektrod som är ansluten till mätaren.

Mätaren kan använda maximalt fyra Chemkey-enheter och maximalt två elektroder för mätningar. Se [Figur 1](#).

Figur 1 Produktöversikt



1 Mini-USB-port	5 Display
2 Skydd till portanslutning för elektroder	6 Knappsats
3 Anslutningsportar för elektroder	7 Chemkey-öppningar.
4 Strömanslutningsport	8 Provdetektor

3.3 Produktens komponenter

Se till att alla delar har tagits emot. Se den medföljande dokumentationen. Om några komponenter saknas eller är skadade ska du genast kontakta tillverkaren eller en återförsäljare.

Avsnitt 4 Installation

⚠ VARNING



Flera risker. Endast kvalificerad personal får utföra de moment som beskrivs i den här delen av dokumentet.

4.1 Säkerhet för litiumbatteri

⚠ VARNING



Risk för brand och explosion. Litiumbatterier kan bli varma, explodera eller antändas och orsaka allvarliga skador om de behandlas ovarsamt.

- Använd inte batteriet om det finns synliga skador.
- Använd inte batteriet efter kraftiga stötar eller vibrationer.
- Utsätt inte batteriet för eld.
- Förvara batteriet vid temperaturer under 60 °C (140 °F).
- Förvara batteriet torrt och borta från vatten.
- Förhindra kontakt mellan positiva och negativa poler.
- Låt inte obehöriga personer vidröra batteriet.
- Kassera batteriet i enlighet med lokala, regionala och nationella bestämmelser.
- Använd eller förvara inte instrumentet i direkt solljus, nära en värmekälla eller i omgivningar med hög temperatur, t.ex. i ett fordon som står i direkt solljus.

4.2 Installera batteriet

⚠ VARNING



Risk för brand och explosion. Denna utrustning innehåller ett litumbatteri med hög energinivå vilket kan antändas och orsaka brand eller explosion, även utan ström. För att bibehålla säkerheten som tillhandahålls av instrumentets skyddskåpa, måste instrumenthöljen monteras och säkras med medföljande maskinvara.



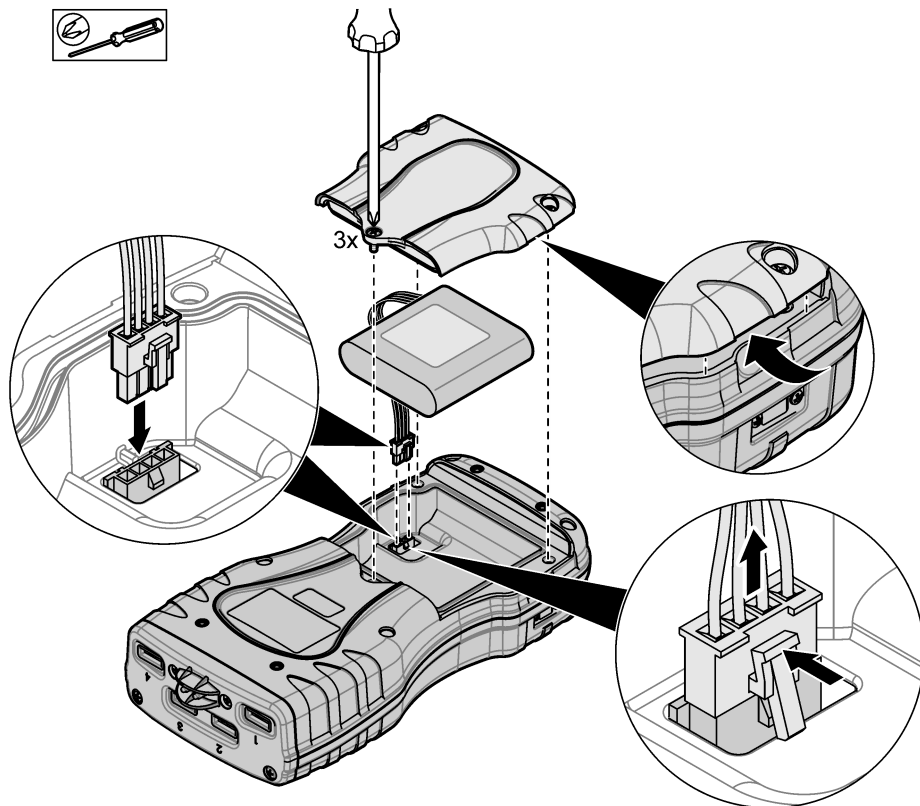
⚠ VARNING



Risk för explosion och brand. Batteriersättning är inte tillåtet. Använd endast batterier som levereras från instrumenttillverkaren.

Använd endast det laddningsbara litiumjonbatteriet som tillhandahålls av tillverkaren. Se [Figur 2](#) för information om isättning och borttagning av batteri.

Figur 2 Isättning och borttagning av batteri



4.3 Ladda batteriet

▲ VARNING



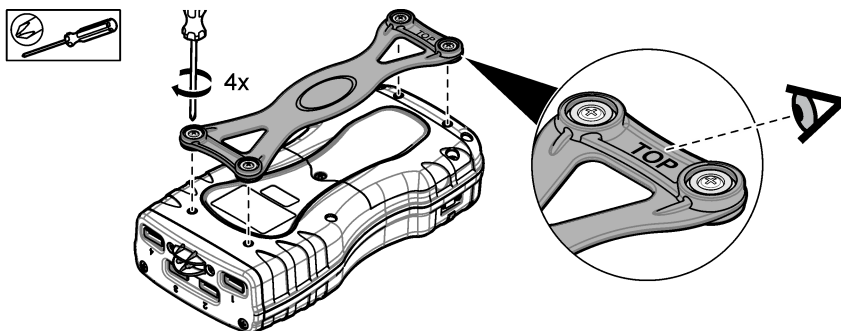
Brandfara. Använd endast det externa nätaggregatet som är specificerat för det här instrumentet.

1. Anslut den externa strömförsörjningsenheten till ett nätuttag med växelström.
2. Anslut den externa strömförsörjningsenheten till strömporten på mätaren. Se [Produktöversikt](#) på sidan 212.
 - Instrumentet kan användas medan batteriet laddas.
 - Den externa strömförsörjningsenheten får inte ersättas. Använd endast den externa strömförsörjningsenhet som specificerats i listan över delar och tillbehör för instrumentet. Se [Reservdelar och tillbehör](#) på sidan 229.
 - Ladda inte batteriet i mer än 24 timmar.

4.4 Sätt fast snodden

Sätt fast snodden så att du kan hålla mätaren på ett säkert sätt. Se [Figur 3](#).

Figur 3 Fastsättning av snodd

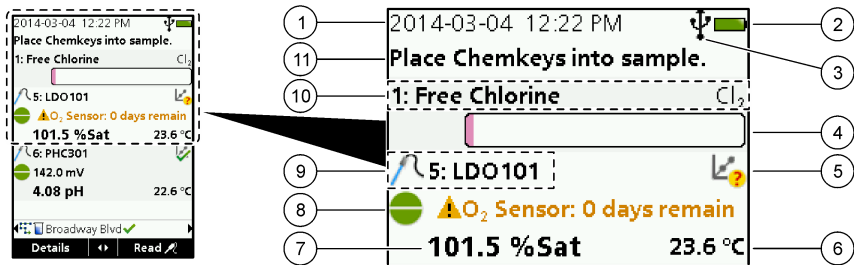


Avsnitt 5 Användargränssnitt och navigering

5.1 Beskrivning av displayen.

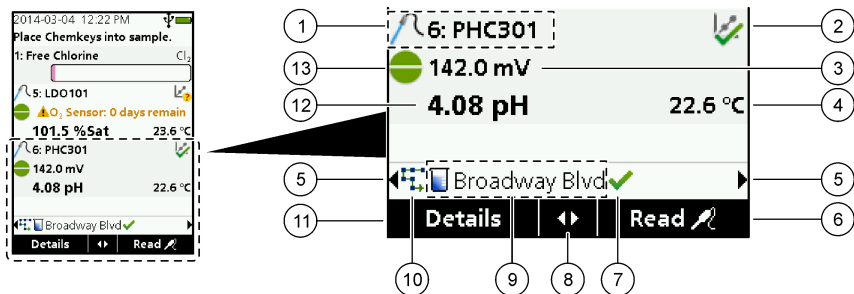
Se [Figur 4](#) och [Figur 5](#) för beskrivningen av mätskärmen.

Figur 4 Mätsskärmen (övre del)



1 Datum och tid	7 Primärt mätvärde (användarvald parameter)
2 Batteristatus	8 Stabilitetsikon med varningsikon och varningsmeddelande
3 USB (COM-port) - ikon för aktiv anslutning när kommunikationsklass har valts	9 Elektrodon, portnummer, parameter eller elektrodonnamn
4 Förloppsindikator (ej slutförda mätningar)	10 Öppningsnummer, parameternamn och kemisk symbol
5 Kalibreringsstatusikon (kalibrering ej korrekt)	11 Mycket viktigt meddelande för enheter (följt av ett fel och sedan ett varningsmeddelande)
6 Sekundär mätning (användarvald parameter)	

Figur 5 Mätsskärmen (nedre del)

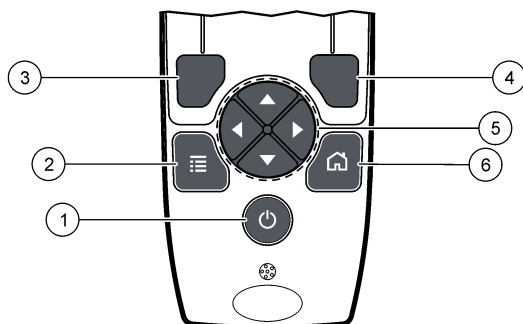


1 Elektrodon, portnummer, parameter eller elektrodonnamn	8 Aktiva pilknappar
2 Kalibreringsstatusikon (kalibrering korrekt)	9 Ikon för plats-ID och platsnamn
3 Sekundärt mätvärde (användarvald parameter)	10 Platsikon (visas när routes (platser) har aktiverats)
4 Tertiärt mätvärde (användarvald parameter)	11 Alternativ (i kontext: information, avsluta, avbryt, markera, avmarkera)
5 Höger- och vänsterpilar för att välja tillämpligt plats-ID	12 Primärt mätvärde (användarvald)
6 Alternativ (i kontext: läs av, välj, OK, ta bort)	13 Stabilitetsikon
7 Bockmarkering: slutförd mätning på plats	

5.2 Beskrivning av knappsatsen

Se [Figur 6](#) för beskrivning av knappsatsen och navigeringsinformation.

Figur 6 Beskrivning av knappsatsen



1 Strömknapp	4 HÖGER valknapp (i kontext): läser av prover, tar bort, markerar eller bekräftar alternativ, öppnar undermenyer
2 Knapp för MAIN MENU (huvudmeny): Välj verifiering, kalibrering, platser, inställningar, datalogg, information, diagnostik, användar-ID och plats-ID	5 Navigeringsknappar UPP, NED, HÖGER, VÄNSTER ¹ : Bläddra genom menyer, ange siffror och bokstäver.
3 VÄNSTER valknapp (i kontext): information, markera/avmarkera, avbryter eller avslutar aktuell meny och går till den föregående	6 HOME (start): Gå till huvudskärmen för mätningar.

Avsnitt 6 Start

6.1 Slå på strömmen

Tryck på **strömknappen** för att slå på eller av mätaren. Om mätaren inte slås på kontrollerar du att batteriet är rätt isatt.

6.2 Byt språk

Ange displayspråk när mätaren slås på för första gången. Byt språk på menyn **Settings** (inställningar).

1. Tryck på **Settings>Language** (inställningar>språk).
2. Välj önskat språk.

6.3 Ändra datum och tid

Det finns två alternativ för att ange datum- och tidsformat:

- Ange datum och tid när mätaren slås på för första gången.
- Ange datum och tid från menyn Datum & tid.

1. Välj **Settings>Meter>Date & Time** (inställningar>mätare>datum och tid).
2. Använd pilknapparna till att välja format för datum och tid och ange sedan aktuell tids- och datuminformation.
Aktuellt datum och tid visas på displayen och på loggade mätdata.

¹ UPP, NED: Bläddra genom mätningar när det finns fler än fyra mätningar, HÖGER, VÄNSTER: Bläddra genom användar- och prov-ID:n.

Avsnitt 7 Standardåtgärd

7.1 Använda användar-ID

Användar-ID-etiketten kopplar ihop mätningar med en enskild användare. Alla lagrade data kommer att inkludera användar-ID.

Använd webbapplikationen "tool.htm" för att på ett enkelt sätt hantera användar-ID:n. Mer information finns på tillverkarens webbplats.

1. Tryck på **Main Menu>Operator ID** (huvudmeny>användar-ID).
2. Välj ett alternativ.

Alternativ	Beskrivning
Mode(läge)	Ställ in funktionen Operator ID (användar-ID) till on (på) eller off (av) (standard).
Select (välj)	Välj ett ID från en lista. Aktuellt ID kommer att kopplas till provdata tills ett annat ID väljs. Använd upp- och nedpilarna för att välja ett användar-ID från startskärmen. Det går att välja användar-ID på mätskärmen innan en Chemkey är i öppningen eller en elektrod har anslutits.
Create(skapa)	Ange ett namn för ett nytt användar-ID.
Delete(ta bort)	Radera ett befintligt användar-ID.

7.2 Använd ett plats-ID

Använd taggen för plats-ID för att koppla mätningar till ett särskilt prov eller till en plats. Om ID tilldelats kommer lagrade data att inkludera detta ID.

Använd webbapplikationen "tool.htm" för att på ett enkelt sätt hantera plats-ID:n. Mer information finns på tillverkarens webbplats.

1. Tryck på **Main Menu>Site ID** (huvudmeny>plats-ID).
2. Välj ett alternativ.

Alternativ	Beskrivning
Mode (läge)	Ställ in funktionen för plats-ID på manual (manuellt), auto, off (av) eller routes (platser). Manual (manuellt) —Välj ett plats-ID manuellt. Auto —Proverna numreras i sekvens för varje mätning tills ett annat ID väljs. Off (av) —Funktionen för plats-ID är ställd till off (av) (standard). Routes (platser) —Ger en underuppsättning av den kompletta listan med plats-ID:n.
Select (välj)	Välj ett ID från en lista. Det nuvarande ID:t kopplas med provdata tills ett annat ID väljs. Ställ in Site ID>Show (plats-ID>visa) till Yes (ja). Använd höger- och vänsterpilarna för att välja aktuellt plats-ID på mätskärmen. Kontrollera att Site ID>Show (plats-ID>visa) är inställt på Yes (ja) och att minst en Chemkey är i öppningen eller att en elektrod är ansluten.
Create (skapa)	Lägg till ett nytt plats-ID.
Delete (ta bort)	Ta bort befintliga plats-ID:n. Observera: Se till att välja läget Manual (manuellt) för att ta bort ett plats-ID.
Show (visa)	Visar plats-ID:t på mätskärmen. Ställ in på on (på) eller off (av).
Routes (platser)	Ger en ordnad lista av plats-ID:n. Om en plats har valts visas plats-ID:n automatiskt på mätskärmarna och registreras. Tryck på HÖGER pil för att välja nästa plats. Använd webbapplikationen "tool.htm" för att ställa in platserna. Mer information finns på tillverkarens webbplats.
Anmärkningar	Registrera särskild information och lägg denna information till en händelselogg.

7.3 Utföra Chemkey-mätningar

ANMÄRKNING:

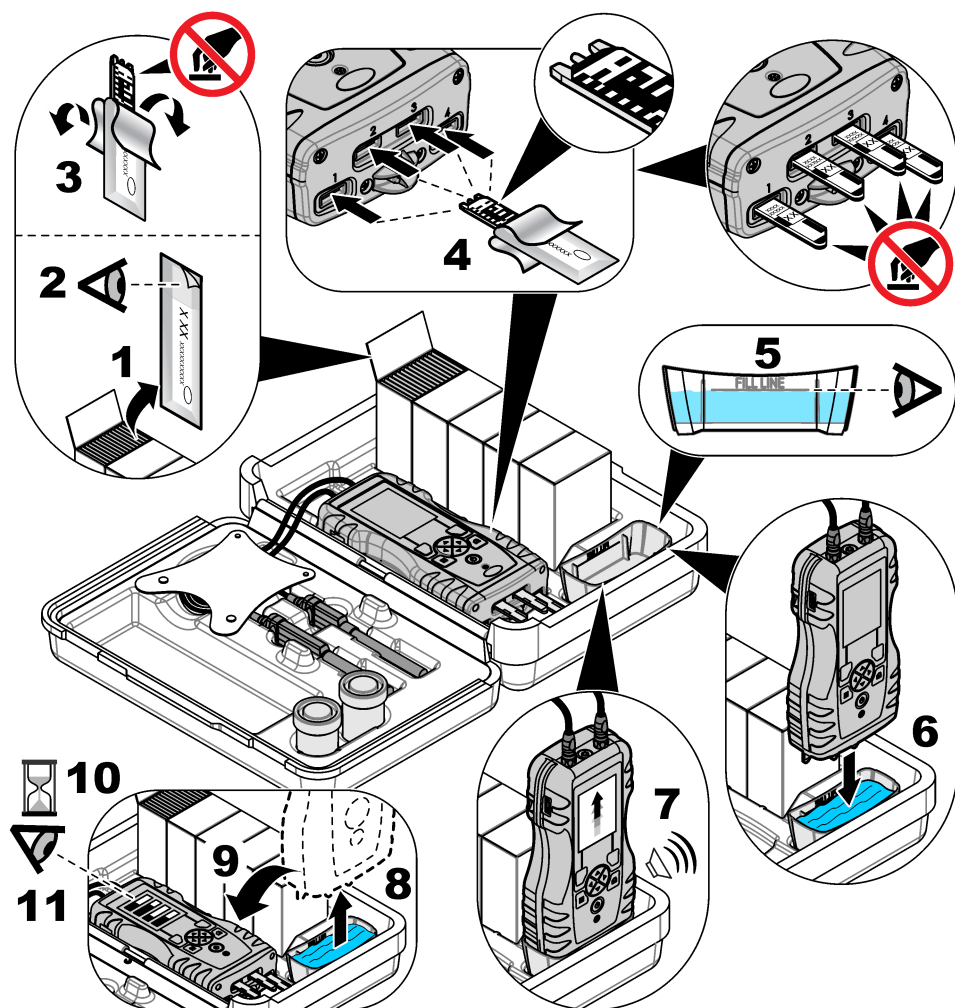
Påbörja inte en ny Chemkey-mätning när en annan Chemkey-mätning ännu inte har slutförts. Sätt endast mätaren i provet en gång för en Chemkey-mätning.

För att slutföra en mätning med Chemkey utför du följande procedur. Se [Figur 7](#). Flera olika elektrod-mätningar kan utföras samtidigt. Se [Slutföra elektrod-mätningar](#) på sidan 221.

1. Sätt på mätaren.
2. Om fullständig spårbarhet är nödvändig anger du ett plats-ID och ett användar-ID innan mätningen. Se [Använda användar-ID](#) på sidan 218 och [Använd ett plats-ID](#) på sidan 218.
3. Tryck tillämplig(a) Chemkey långsamt, i en enda rörelse, in i öppning(ar) 1 till 4. Se alltid till att en ny Chemkey används för varje mätning. Det är viktigt att Chemkey trycks hela vägen in i öppningen
När en Chemkey är i en öppning ska du inte flytta på eller vidröra Chemkey.²
4. Skölj provkoppen med provet.
5. Fyll mätarens provkopp till fyllnadslinjen med provet.
6. Sätt mätaren i mätarens provkopp.
7. Vänta på ljudsignalen och/eller animeringen för avlägsnande av mätaren (inom 1 till 2 sekunder), och ta därefter omedelbart bort mätaren från provkoppen.
Sätt tillbaka mätaren i fodralet och vänta tills mätningen är slutförd. Parametrarna har olika reaktionstider. På displayen visas en förloppsindikator med tiden som återstår innan mätningen är klar.
8. Mätvärdena visas på displayen.
Observera: När ett fel visas trycker du på **Details** (information) för att få mer information.

² En Chemkey med monokloramin och en Chemkey med fritt ammoniak är båda nödvändiga för att erhålla en mätning av fritt ammoniak.

Figur 7 Chemkey-provmätning



7.4 Ansluta en elektrod

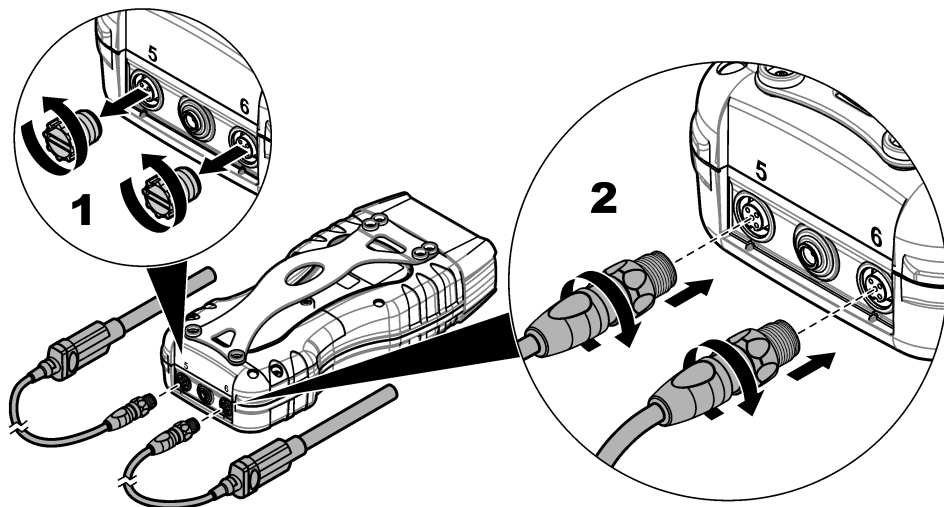
ANMÄRKNING:

Kasta inte skydden till anslutningsportarna för elektroder. Kontrollera att skydden till anslutningsportarna för elektroder sitter i när elektrod är ansluten.

Kontrollera att displayen visar aktuell tid och datum och anslut därefter elektroden till mätaren. Se [Figur 8](#).

Observera: Tidstämpeln för elektroden anges när elektroden först ansluts till mätaren. Denna tidstämpel gör det möjligt att registrera elektrodens historik och den tidpunkt då mätningarna görs.

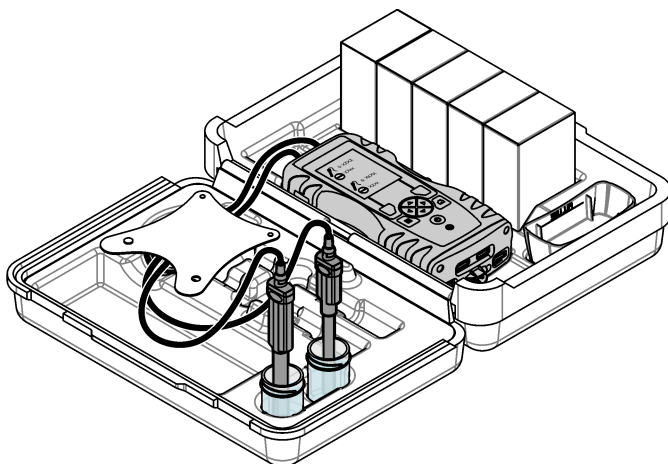
Figur 8 Elektrodanslutningar



7.5 Slutföra elektrod-mätningar

Utför proceduren som följer för att slutföra en mätning med elektrod(er). Se [Figur 9](#). Flera olika Chemkey-mätningar kan utföras samtidigt. Se [Utföra Chemkey-mätningar](#) på sidan 219.

1. Kalibrera elektroderna innan första användningen. Se [Kalibrera elektroden](#) på sidan 222.
Observera: För bästa noggrannhet, kalibrera elektroderna dagligen.
2. Ange datum och tid i mätaren innan elektroden ansluts. Se [Ändra datum och tid](#) på sidan 217.
Elektroden måste ha korrekt märkning med avseende på sista användningsdatum.
3. Om fullständig spårbarhet är nödvändig anger du ett plats-ID och ett användar-ID innan mätningen. Se [Använda användar-ID](#) på sidan 218 och [Använd ett plats-ID](#) på sidan 218.
4. Ta bort skydden från anslutningsportarna för elektroderna och anslut elektroderna. Se [Figur 8](#) på sidan 221 för elektrodanslutning.
Observera: Kasta inte skydden till anslutningsportarna för elektroder. Sätt i skydden till anslutningsportarna för elektroder när inga elektroder är anslutna.
5. Skölj provflaskorna med prov.
6. Fyll provflaskan med prov så att givaren är helt i provet.
7. Sätt elektroden/elektroderna i provflaskorna för elektroder och tryck på **Read** (läs av) om mätläget är inställt på **Press to Read** (tryck för att läsa av). I dokumentationen till elektroderna finns mer information.
8. Mätvärdena visas på displayen.




Avsnitt 8 Kalibrering

▲ FÖRSIKTIGHET



Risk för kemikalieexponering. Följ laboratoriets säkerhetsanvisningar och bär all personlig skyddsutrustning som krävs vid hantering av kemikalier. Läs aktuella datablad (MSDS/SDS) om säkerhetsanvisningar.

8.1 Kalibrera elektroden

Varje elektrod har en unik kalibreringslösning. Se till att kalibrera elektroderna regelbundet för att bibehålla högsta noggrannhet. Mätaren visar kalibreringsstatus. Om kalibreringen inte är korrekt visas kalibreringsikonen med frågetecknet  tills elektroden kalibrerats korrekt. När kalibreringen är korrekt visas kalibreringsikonen med den gröna bocken. Steg-för-steg-instruktioner finns i dokumentationen som medföljer respektive elektrod. Mer information finns på tillverkarens webbplats.

1. Ansluta en elektrod.
2. Tryck på **Main Menu>Calibrate** (huvudmeny>kalibrera) för att starta en kalibrering.
3. Välj tillämplig elektrod om fler än en är ansluten till instrumentet.
Observera: Om endast en elektrod är ansluten visas inte det här steget.
4. Följ alla anvisningar som visas på displayen för att kalibrera elektroden.
Observera: För en ISE-elektrod, tryck på den HÖGRA pilen för att gå till nästa kalibreringsstandard vid behov. Mät standarder från låg koncentration till hög koncentration.
5. Utför vid behov en verifiering. Se [Elektrodverifiering](#) på sidan 223.

8.2 Fabrikskalibrering

Tillverkaren rekommenderar att en fabrikskalibrering utförs årligen för att kontrollera att systemet fungerar som det ska. Kontakta ditt lokala Hach Service Center.

8.3 Kalibrera mätaren för en specifik Chemkey-parameter

Varje Chemkey använder olika kalibreringsinställningar. Mer information finns på tillverkarens webbplats.

1. Tryck tillämplig Chemkey långsamt, i en enda rörelse, in i öppning 1 till 4.
2. Tryck på **Main Menu>Calibrate** (huvudmeny>kalibrera) för att starta en kalibrering.
3. Välj tillämplig Chemkey.
4. Ange tillämpligt standardjusteringsvärde.
5. Följ alla anvisningar som visas på displayen för att kalibrera Chemkey.
6. Utför vid behov en verifiering. Se [Chemkey-verifiering](#) på sidan 223.

8.4 Elektroverifiering

1. Tryck på **Main Menu>Verification** (huvudmeny>verifiering) för att starta en verifiering.
2. Välj tillämplig enhet.
3. Följ alla anvisningar som visas på displayen för att utföra verifieringen.

Observera: För att ändra standard som används för verifieringen, tryck på **Main Menu>Settings>Probe>[Select Probe]>Verification**

Options>Standard(huvudmeny>inställningar>elektrod>[välj elektrod]>verifieringsalternativ>standard).

8.5 Chemkey-verifiering

Det finns två alternativ för att utföra en Chemkey-verifiering. Använd en parameterspecifik Chemkey eller en Chemkey för systemverifiering för verifieringen. Se [Reservdelar och tillbehör](#) på sidan 229.

• Parameterspecifik Chemkey

1. Tryck den parameterspecifika Chemkey långsamt, i en enda rörelse, in i öppning 1 till 4.
2. Tryck därefter på **Main Menu>Verification** (huvudmeny>verifiering) för att starta verifieringen.
3. Utför den menyvägleda processen.

• Chemkey för systemverifiering

1. Tryck på **Main Menu>Verification** (huvudmeny>verifiering) för att starta en verifiering.
2. Tryck därefter Chemkey för systemverifiering långsamt, i en enda rörelse, in i den första öppningen.
3. Utför den menyvägleda processen.

Avsnitt 9 Datalogg

Dataloggen visar alla sparade mätningar.

1. Tryck på **Main Menu>Data Log** (huvudmeny>datalogg).
2. Välj ett alternativ.

Alternativ	Beskrivning
All Logs by Date (alla loggar efter datum)	Visar provmättningsresultat: elektrodnamnet, elektrodens serienummer, värde, enhet, temperatur, tid, datum, kommentarer, användar-ID, plats-ID och kalibreringsinformation. Den senaste mätningen visas på displayen. Tryck på den VÄNSTRA pilen för att titta på tidigare mätningar.
Current Cal on Probe (aktuell kalibrering på elektroden)	Visar kalibreringsinformation för den senaste kalibreringen. Om elektroden inte har kalibrerats av någon användare visas data från fabrikskalibreringen.

Alternativ	Beskrivning
Cal History on Probe (kalibreringshistorik på elektroden)	Visar en lista över de gånger då elektroden kalibrerades. Välj ett datum och en tidpunkt för att visa en sammanfattning av önskade kalibreringsdata.
Delete data log (ta bort datalogg)	Tar bort alla data för mätaren på en gång. Enhetsdata behålls.

9.1 Importera data i Excel

⚠ VARNING	
	Risk för elektriska stötar. Externt ansluten utrustning måste ha en gällande säkerhetsstandardbedömning.

Mätaren sparar dataloggen i ett XML-format. Plats-ID, sekvens, datum och tid, parameter, mätvärde, enheter, användar-ID, öppningsnummer, Chemkey-lotkod och mätarens serienummer kan sparas i ett Excel-blad.

- Sätt på mätaren.
- Anslut mätaren till datorn med hjälp av USB-kabeln. Mätaren visas som en enhet, "Hach Portable Parallel Analysis" (Hach bärbar parallellanalys), på datorn.
- Öppna mappen "DataTemplate" (datamall) på enheten.
- Öppna filen "LogTemplate.xltx" (loggmall).
- Högerklicka på cellen "A2" och välj XML>Import (XML>importera).
- Välj alla loggfiler från mappen "Data" på enheten "Hach Portable Parallel Analysis" (Hach bärbar parallellanalys).
- Klicka på **Import** (importera). Dataloggen visas i Excel-bladet.
- Spara filen till datorn eller till ett USB-minne om det är nödvändigt.
- Ta på ett säkert sätt bort mätaren från datorn. Klicka på ikonen med den gröna pilen "Säker borttagning av maskinvara".
Observera: Vissa ikoner finns under "Visa dolda ikoner"
- Ta ut USB-kabeln ur mätaren.

9.2 Granska data i en webbläsare

För att granska dataloggen i en webbläsare utför du stegen som följer. Plats-ID, sekvens, datum och tid, parameter, mätvärde, enheter, användar-ID, öppningsnummer, Chemkey-lotkod och mätarens serienummer visas i vald webbläsare.

- Sätt på mätaren.
- Anslut mätaren till datorn med hjälp av USB-kabeln. Mätaren visas som en enhet, "Hach Portable Parallel Analysis" (Hach bärbar parallellanalys) på datorn.
- Öppna mappen "Data" på enheten.
- Öppna dataloggfilen.
 - Öppna "LogNN.XML" (NN = siffror från 0 till 9) i valfri webbläsare.
 - I webbläsaren klickar du på **File>Open menu** (fil>öppna meny) och bläddrar till mappen "Data".
- Spara filen till datorn eller till ett USB-minne om det är nödvändigt.
- Ta på ett säkert sätt bort mätaren från datorn. Klicka på ikonen med den gröna pilen "Säker borttagning av maskinvara".
Observera: Vissa ikoner finns under "Visa dolda ikoner"
- Ta ut USB-kabeln ur mätaren.

Avsnitt 10 Underhåll

⚠ VARNING



Flera risker. Endast kvalificerad personal får utföra de moment som beskrivs i den här delen av dokumentet.

⚠ FÖRSIKTIGHET



Risk för kemikalieexponering. Följ laboratoriets säkerhetsanvisningar och bär all personlig skyddsutrustning som krävs vid hantering av kemikalier. Läs aktuella datablad (MSDS/SDS) om säkerhetsanvisningar.

⚠ FÖRSIKTIGHET



Risk för kemikalieexponering. Kassera kemikalier och avfall enligt lokala, regionala och nationella lagar.

10.1 Rengöra spill

⚠ FÖRSIKTIGHET



Risk för kemikalieexponering. Kassera kemikalier och avfall enligt lokala, regionala och nationella lagar.

1. Följ alla rutiner i anläggningen för hantering av spill.
2. Kassera avfall enligt gällande lagar och regler.

10.2 Rengöra instrumentet

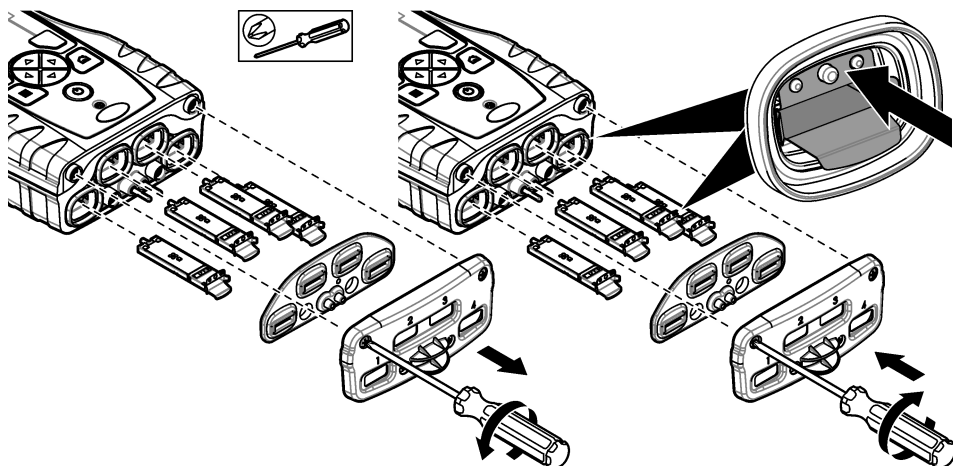
Rengör instrumentets utsida med en fuktig duk och en mild tvällösning, och torka sedan av instrumentet efter behov.

10.3 Rengöra och byta ut delar

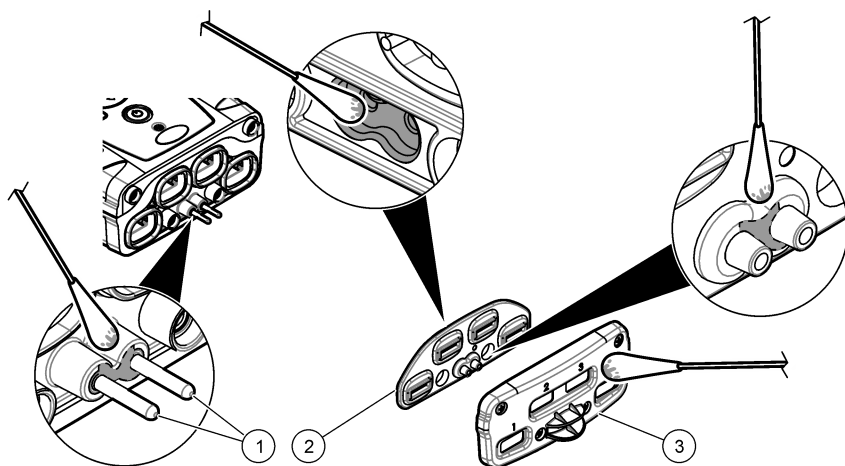
För vissa fel och varningar är det ett krav att Chemkey-öppningarna, de optiska fönstren, streckkods-fönstret, provdetektor rengörs eller att brickorna byts ut. Använd isopropylalkohol vid rengöring av delarna. Använd vatten och mildt rengöringsmedel för att rengöra ljusskyddet. Se till att applikatorn med bomullsspets endast förs i en riktning. Se [Figur 10](#) för avlägsnande av höljet för åtkomst till optiken, ljusskyddet och brickorna. Se [Figur 11](#) och [Figur 12](#) för detaljerad information om rengöringsprocessen.

Saker som behövs: applikator med bomullsspets, isopropylalkohol, vatten och ett mildt rengöringsmedel

Figur 10 Avlägsnande av delar och återmontering



Figur 11 Rengör provdetektorn, ljusskyddet och åtkomsthöljet

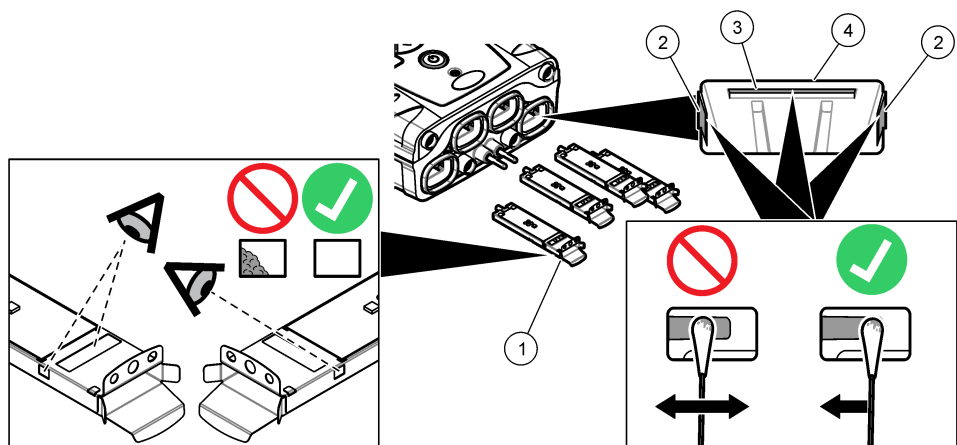


1 Provdetektor

2 Ljusskydd

3 Hölje för åtkomst till optiken

Figur 12 Rengöra bricker och Chemkey-öppningar



1 Bricka	3 Streckkodsfönster
2 Optiskt fönster	4 Chemkey-öppning

10.4 Ladda eller byt ut batteriet

Ladda batteriet när batterinivån är låg. Byt ut batteriet när batteriet inte kan hålla kvar laddningen. Använd endast det specificerade batteri som tillhandahålls av tillverkaren. Se [Installera batteriet](#) på sidan 214 och [Reservdelar och tillbehör](#) på sidan 229.

10.5 Förbered för transport

ANMÄRKNING:

Möjlig skada på instrumentet. Ta ut allt vatten från enheten före transport för att förhindra skada vid frystemperaturer.

Kontakta teknisk support för anvisningar före transporten till tillverkaren.

- Rengör och dekontaminera instrumentet före transport.
- Transportera instrumentet med batteriet isatt i mätaren, men se till att batteriet inte är anslutet till någon kontakt.
- Koppla från elektroderna och ta ut Chemkey-enheter före transport.
- Transportera instrumentet i originalförpackningen eller i en annan säker förpackning.

Avsnitt 11 Felsökning

Fel/varning	Möjlig orsak	Lösning
Streckkod avläsningsfel Sätt in Chemkey(s) igen	Chemkey fungerar inte på rätt sätt. Chemkey är inte korrekt isatt.	<ul style="list-style-type: none"> Sätt in Chemkey i öppningen igen. Använd en ny Chemkey. Rengör streckkodsfontstret. Se Figur 12 på sidan 227. Om problemet kvarstår, kontakta teknisk support.
Sample aspiration error. (Provaspirationsfel.)	Chemkey fungerar inte på rätt sätt. Chemkey är inte helt intryckt i öppningen.	Använd en ny Chemkey och se till att trycka in Chemkey hela vägen in i öppningen. Om problemet kvarstår, kontakta teknisk support.
Chemkey Leaked. (Chemkey läckte.) Försök en annan		
Chemkey expired (Chemkey har gått ut)		
Mätfel (1–4)	Ett mätfel inträffade i den angivna öppningen.	
Parametern stöds inte	Parametern finns inte för den installerade instrumentprogramvaran.	Uppgradera instrumentprogramvaran. Sök efter "SL1000" på www.hach.com . Gå till Downloads>Software/Firmware section och följ instruktionerna.
Begagnad Chemkey—Byt ut	Chemkey har redan använts eller så finns det vatten i öppningen.	Använd en ny Chemkey. Om problemet kvarstår låter du öppningen och instrumentet torka och prövar igen. Om problemet kvarstår, kontakta teknisk support.
Brickan läckte. Replace tray. (Byt ut brickan.)	Ett problem med mätbrickan inträffade.	Byt ut brickan. Se Figur 10 på sidan 226. Om problemet kvarstår, kontakta teknisk support.
Värmarfel Byt ut brickan	Brickan fungerar inte korrekt.	
Remove from sample. (Ta bort från provet.)	Mätaren sattes i provet innan mätaren var redo.	Vänta tills mätaren är redo att sättas i provet.
Provet togs bort för tidigt		Sätt en annan Chemkey i öppningen. Vänta tills mätaren är redo att sättas i provet.
För mycket tid i provet	Chemkey-enheterna lämnades kvar i provet för länge. Ett mätfel inträffade.	Ta omedelbart bort Chemkey-enheterna när du ombeds göra detta.
	Provdetektorns stiftyta är smutsigt om varningen visas medan mätaren inte är i provet.	Rengör provdetektorns stiftyta. Se Rengöra och byta ut delar på sidan 225. Om problemet kvarstår, kontakta teknisk support.
Över mätområdet	Koncentrationen är över den övre gränsen för den aktuella metoden.	Späd provet och utför mätningen igen.
Under mätområdet	Koncentrationen är under den lägsta gränsen för den aktuella metoden.	—
Tray too cold. (Brickan är för kall.)	Mätaren är eventuellt för kall för att värma brickan eller så fungerar inte värmaren.	Flytta mätaren till en varmare omgivningstemperatur och mät igen. Byt ut brickan.
Tray too hot. (Brickan är för varm.)	Mätaren är för varm för att en korrekt mätning ska kunna utföras.	Se till att kyla mätaren utanför området med varm temperatur.

Fel/varning	Möjlig orsak	Lösning
För mycket omgivningsljus. Sätt Chemkey i en mörkare omgivning	Omgivningsljuset är för starkt för att streckkoden ska kunna läsas av.	Flytta mätaren till en mörkare miljö och sätt in Chemkey i öppningen igen.
Low Light. (Svagt ljus.) Clean Chemkey slot. (Rengör Chemkey-öppningen.)	Chemkey fungerar inte på rätt sätt. Chemkey är inte korrekt isatt.	<ul style="list-style-type: none"> Sätt i Chemkey i öppningen med ett enda tryck. Använd en ny Chemkey. Rengör Chemkey-öppningen. Se Figur 12 på sidan 227. Om problemet kvarstår, kontakta teknisk support.
Instrumentet kräver service.	Modulfel.	Använd modulerna som fungerar korrekt. Kontakta teknisk support för att reparera den defekta modulen.
Provet hittas inte.	<ul style="list-style-type: none"> Provkoppen är inte fylld till fyllningslinjen. Provets konduktivitet är mindre än 2 $\mu\text{S/cm}$. 	<ul style="list-style-type: none"> Kontrollera att provkoppen är fylld till fyllningslinjen. Kontrollera att provets konduktivitet är större än 2 $\mu\text{S/cm}$. Rengör provdetektorn. Se Figur 11 på sidan 226. Om problemet kvarstår, kontakta teknisk support.


11.1 Utföra en diagnostisk kontroll

På diagnostikmenyn visas informationen om mätarens aktuella version och alternativet att formatera minneskortet.

- Tryck på **Main Menu>Diagnostics** (huvudmeny>diagnostik).
- Välj ett alternativ.

Alternativ	Beskrivning
Disk Space (diskutrymme)	Visar diskutrymmet för användarminnet och för det interna minnet.
Config Versions (konfigurationsversioner)	Visar konfigurationsversionerna för mätarens inställningar.
Method Versions (metodversioner)	Visar mätarens metodversioner.
Format Memory (formatera minne)	Tar bort alla mätardata. Observera: Alla mätardata (till exempel mätarkonfiguration, plats-ID:n, användar-ID:n, platser, kommentarer, mallar m.m.) tas bort när Format Memory (formatera minne) utförs.

Avsnitt 12 Reservdelar och tillbehör

⚠ VARNING	
	Risk för personskada. Användning av icke godkända delar kan orsaka personskador eller skador på maskinen eller utrustningen. Reservdelar i detta avsnitt är godkända av tillverkaren.

Observera: Produkt- och artikelnummer kan variera i olika försäljningsregioner. Kontakta lämplig återförsäljare eller se företagets webbsida för att få kontaktinformation.

Se Reservdelar och tillbehör i den utökade versionen av bruksanvisningen.

Sisällysluettelo

- | | |
|---|--------------------------------------|
| 1 Online-käyttöopas sivulla 230 | 7 Peruskäyttö sivulla 238 |
| 2 Tekniset tiedot sivulla 230 | 8 Kalibrointi sivulla 242 |
| 3 Yleistietoa sivulla 230 | 9 Datan keruu sivulla 243 |
| 4 Asentaminen sivulla 233 | 10 Huoltaminen sivulla 244 |
| 5 Käyttööliittymä ja selaaminen sivulla 235 | 11 Vianmääritys sivulla 247 |
| 6 Käynnistys sivulla 237 | 12 Varaosat ja varusteet sivulla 249 |

Osa 1 Online-käyttöopas

Tässä peruskäyttöoppaassa on vähemmän tietoja kuin käyttöoppaassa, joka on saatavilla valmistajan verkkosivuilla.

Osa 2 Tekniset tiedot

Tekniset tiedot voivat muuttua ilman ennakkoilmoitusta.

Ominaisuus	Tiedot
Mitat (L x S x K)	13,08 x 5,89 x 25,83 cm (5,15 x 2,32 x 10,17 tuumaa)
Kotelointiluokitus	IP64, kun mittarin anturiliitäntöjen korkit ovat paikoillaan tai kun anturiliitäntöihin on kytketty anturit.
Paino	1,2 kg (2,7 lb)
Virtalähde (sisäinen)	Ladattava litiumioniakku, 7.4V, 5.0Ah (5000mAh)
Virtalähde (ulkoinen)	Tulo 100–240 V AC, 50/60 Hz, 12 V, kun lähtö on 3 A
Käyttölämpötila (purkaminen)	5–50 °C (41–122 °F), tiivistymätön suhteellinen kosteus enintään 85 %
Latauslämpötila	5–45 °C (41–113 °F), tiivistymätön suhteellinen kosteus enintään 85 %
Säilytyslämpötila	-20–60 °C (-4–140 °F), tiivistymätön suhteellinen kosteus enintään 85 %
Liitäntä	Mini USB -portti
5-nastainen syöttöliitin	Kaksi M12-liitäntää IntelliCal-antureille
Ulkoisen virtalähteen liitäntä	2,5 mm:n pistoke
Chemkey-paikat	4
Tietomuisti	1 000 mittausarvoa (tulos, päivämäärä, kellonaika, paikan tunnus, käyttäjätunnus)
Muisti	Automaattinen Yksittäismittaus-mittaustilassa. Manuaalinen Jatkuva-mittaustilassa
Lämpötilakorjaus (IntelliCal™-anturit)	Poissa käytöstä, automaattinen tai manuaalinen (parametrin mukaan)
Mittausnäytön lukitus (IntelliCal™-anturit)	Yksittäismittaus- ja Jatkuva-mittaustilat
Suojausluokka	III
Sertifioinnit	CE, UKCA, FCC, ISED, RCM, KC
Takuu	1 vuosi

Osa 3 Yleistietoa

Valmistaja ei ole missään tilanteessa vastuussa vahingoista, jotka aiheutuvat tuotteen epäasianmukaisesta käytöstä tai käyttöoppaan ohjeiden noudattamatta jättämisestä. Valmistaja

varaa oikeuden tehdä tähän käyttöohjeeseen ja kuvaamaan tuotteeseen muutoksia koska tahansa ilman eri ilmoitusta tai veloitteita. Päivitetyt käyttöohjeet ovat saatavilla valmistajan verkkosivuilta.

3.1 Turvallisuustiedot

Valmistaja ei ole vastuussa mistään virheellisestä käytöstä aiheuvista vahingoista mukaan lukien rajoituksetta suorista, satunnaisista ja välillisistä vahingoista. Valmistaja sanoutuu irti tällaisista vahingoista soveltuvien lakien sallimissa rajoissa. Käyttäjä on yksin vastuussa sovellukseen liittyvien kriittisten riskien arvioinnista ja sellaisten asianmukaisten mekanismien asentamisesta, jotka suojaavat prosesseja laitteen toimintahäiriön aikana.

Lue nämä käyttöohjeet kokonaan ennen tämän laitteen pakkauksesta purkamista, asennusta tai käyttöä. Kiinnitä huomiota kaikkiin vaara- ja varoitusilausekkeisiin. Niiden laiminlyönti voi johtaa käyttäjän vakavaan vammaan tai laitteistovaurioon.



Jotta laitteen suojaus ei heikentyisi, sitä ei saa käyttää tai asentaa muuten kuin näissä ohjeissa kuvatulla tavalla.

3.1.1 Vaaratilanteiden merkintä

▲ VAARA
Ilmoittaa mahdollisesti vaarallisesta tai välittömän vaaran aiheuttavasta tilanteesta, joka aiheuttaa kuoleman tai vakavan vamman.
▲ VAROITUS
Ilmoittaa potentiaalisesti tai uhkaavasti vaarallisen tilanteen, joka, jos sitä ei vältetä, voi johtaa kuolemaan tai vakavaan vammaan.
▲ VAROTOIMI
Ilmoittaa mahdollisesti vaarallisesta tilanteesta, joka voi aiheuttaa lievän tai kohtalaisen vamman.
HUOMAUTUS
Ilmoittaa tilanteesta, joka saattaa aiheuttaa vahinkoa laitteelle. Tieto, joka vaatii erityistä huomiota.

3.1.2 Varoistarrat

Lue kaikki laitteen tarrat ja merkinnät. Ohjeiden laiminlyönnistä voi seurata henkilövamma tai laitevaurio. Laitteen symboliin viitataan käyttöohjeessa, ja siihen on liitetty varoitus.

	Tämä symboli, jos se on merkitty laitteeseen, viittaa laitteen käyttöohjeeseen käyttö- ja/tai turvallisuustietoja varten.
	Sähkölaitteita, joissa on tämä symboli, ei saa hävittää yleisille tai kotitalousjätteille tarkoitetuissa eurooppalaisissa jätteiden hävitysjärjestelmissä. Vanhat tai käytöstä poistetut laitteet voi palauttaa maksutta valmistajalle hävittämistä varten.

3.1.3 Sertifiointi

EN 55011/CISPR 11 -standardin mukainen ilmoitus

Tämä on luokan A tuote. Tämä tuote saattaa kotikäytössä aiheuttaa radiohäiriöitä, jolloin käyttäjän on ryhdyttävä asianmukaisiin toimenpiteisiin.

Canadian Radio Interference-Causing Equipment Regulation, ICES-003, luokka A:

Tarkemmat testitulokset ovat valmistajalla.

Tämä luokan A digitaalinen laite vastaa kaikkia Kanadan häiriöitä tuottavista laitteista annettujen säästösten vaatimuksia.

Cet appareil numérique de classe A répond à toutes les exigences de la réglementation canadienne sur les équipements provoquant des interférences.

FCC Osa 15, luokan "A" rajoitukset

Tarkemmat testitulokset ovat valmistajalla. Laite vastaa FCC-säädösten osaa 15. Laitteen toimintaa koskevat seuraavat ehdot:

1. Laite ei saa aiheuttaa haitallisia häiriöitä.
2. Laitteen on voitava vastaanottaa häiriöitä, mukaan lukien häiriöt, jotka voivat olla syynä epätoivottuun toimintaan.

Tähän laitteeseen tehdyt, muut kuin yhteensopivuudesta vastaavan osapuolen hyväksymät muutokset tai muokkaukset saattavat johtaa käyttäjän menettämään oikeutensa käyttää tätä laitetta. Tämä laite on testattu ja sen on todettu olevan luokan A digitaalinen laite, joka vastaa FCC-säädösten osaa 15. Nämä rajoitukset on laadittu antamaan kohtuullinen suoja haitallisilta häiriöiltä, kun laitetta käytetään kaupallisessa ympäristössä. Tämä laite kehittää, käyttää ja saattaa säteillä radiotaajuusenergiaa, ja näiden ohjeiden vastaisesti asennettuna tai käytettynä se saattaa aiheuttaa haitallisia häiriöitä radioliikenteeseen. Tämän laitteen käyttö asuinalueella aiheuttaa todennäköisesti haitallisia häiriöitä, missä tapauksessa käyttäjän on korjattava tilanne omalla kustannuksellaan. Häiriöitä voidaan vähentää seuraavilla tavoilla:

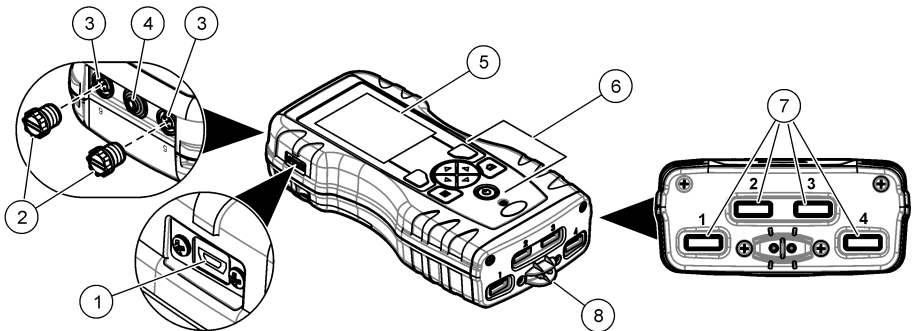
1. Irrota laite sähköverkosta varmistaaksesi, onko laite häiriöiden syy.
2. Jos laite on kytketty samaan pistorasiaan kuin häiriöitä vastaanottava laite, kytke tämä laite toiseen pistorasiaan.
3. Siirrä laite kauemmas häiriötä vastaanottavasta laitteesta.
4. Sijoita häiriötä vastaanottavan laitteen antenni toiseen paikkaan.
5. Kokeile edellä annettujen ohjeiden yhdistelmiä.

3.2 Tuotteen yleiskuvaus

Kannettavalla SL1000-paralleelianalysaattorilla voi mitata samanaikaisesti jopa kuusi parametria juomavedestä. Sitä voi käyttää myös muihin puhtaan veden sovelluksiin. Laite mittaa eri parametreja vedestä Chemkeyiden® ja digitaalisten IntelliCAL™-anturien avulla. Mittari tunnistaa siihen asennetun Chemkeyn tai siihen kytketyn anturin tyyppin automaattisesti.

Mittari voi käyttää mittauksiin samanaikaisesti enintään neljää Chemkeytä ja enintään kahta anturia. Katso kohta [Kuva 1](#).

Kuva 1 Tuotteen yleiskuvaus



1 Mini USB -portti	5 Näyttö
2 Anturiliitäntöjen korkit	6 Näppäimistö
3 Anturiliitännät	7 Chemkey-paikat
4 Verkkovirtaliitäntä	8 Näytetunnistin

3.3 Tuotteen osat

Varmista, että laitteen mukana on toimitettu kaikki tarvittavat osat. Katso mukana toimitetut ohjeet. Jos jokin tarvikkeista puuttuu tai on viallinen, ota välittömästi yhteys valmistajaan tai toimittajaan.

Osa 4 Asentaminen

⚠ VAROITUS



Useita vaaroja. Vain ammattitaitoinen henkilö saa suorittaa käyttöohjeen tässä osassa kuvatut tehtävät.

4.1 Lithium battery safety

⚠ VAROITUS



Tulipalo- ja räjähdysvaara. Väärinkäytetyt litiumakut voivat kuumeta, räjähtää tai syttyä palamaan ja aiheuttaa vakavia vammoja.

- Älä käytä akkua, jos siinä on näkyviä vaurioita.
- Älä käytä akkua, jos se on altistunut kovalle iskulle tai tärinälle.
- Älä altista akkua tulelle.
- Pidä akun ympäristön lämpötila alle 60 °C:ssa (140 °F).
- Pidä akku kuivana ja pois veden lähetyviltä.
- Estä akun eri napoja koskettamasta toisiaan.
- Älä anna valtuuttamattomien henkilöiden koskea akkuun.
- Hävitä paristo paikallisten ja kansallisten asetusten mukaisesti.
- Älä käytä tai säilytä laitetta suorassa auringonvalossa, lämmönlähteen lähellä tai kuumissa ympäristöissä, kuten auringonpaisteessa olevissa suljetuissa ajoneuvoissa.

4.2 Akun asentaminen

⚠ VAROITUS



Tulipalo- ja räjähdysvaara. Tässä laitteessa on suurienergiainen litiumakku, joka voi syttyessään aiheuttaa tulipalon tai räjähdysen, vaikka laitteeseen ei olisi kytketty virtaa. Jotta laitteen kotelon suojaus säilyy, kotelon suojukset on asennettava ja kiinnitettävä mukana toimitettavilla työkaluilla.

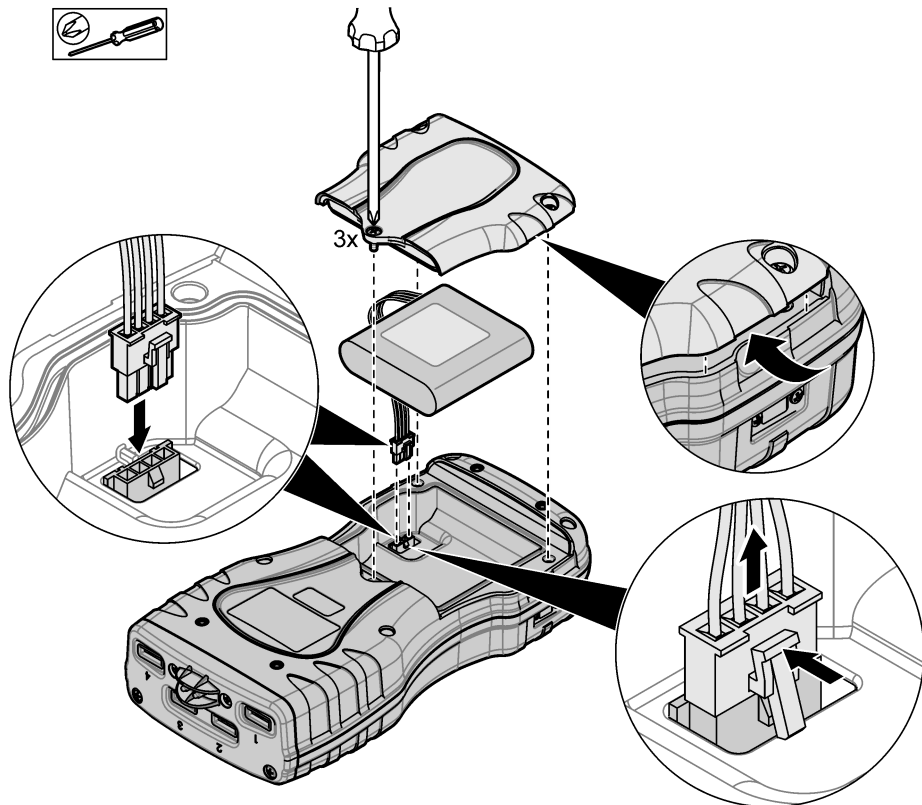
⚠ VAROITUS



Räjähdys- ja tulipalovaara. Akun korvaaminen on kiellettyä. Käytä vain sellaisia akkuja, jotka laitteen valmistaja on toimitannut.

Käytä vain valmistajan toimittamaa ladattavaa litiumioniakkua. [Kuva 2](#) esittää akun asentamista ja irrottamista.

Kuva 2 Akun asentaminen ja irrottaminen



4.3 Akun lataaminen

▲ VAROITUS



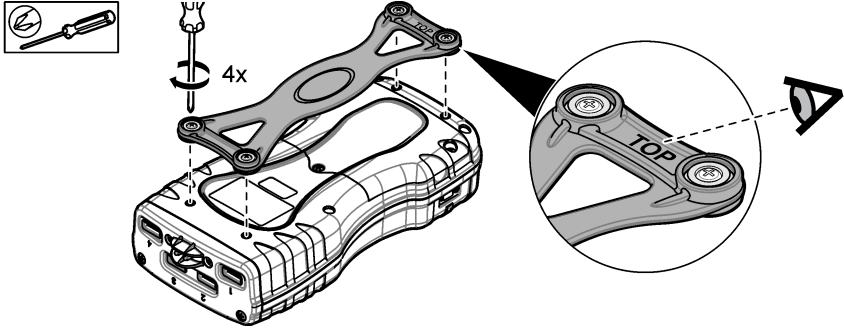
Tulipalon vaara. Käytä vain tälle instrumentille tarkoitettua ulkoista virtalähdettä.

1. Kytke ulkoinen virtalähde vaihtovirtapistoraasiaan.
2. Kytke ulkoinen virtalähde mittarin verkkovirtaliitäntään. Katso kohta [Tuotteen yleiskuvaus](#) sivulla 232.
 - Laitetta voi käyttää akun lataamisen aikana.
 - Ulkoista virtalähdettä ei saa vaihtaa. Käytä ainoastaan laitteen varaosa- ja lisävarusteluettelossa mainittua ulkoista virtalähdettä. Katso kohta [Varaosat ja varusteet](#) sivulla 249.
 - Älä anna akun latautua yli 24 tunnin ajan.

4.4 Hihnan asentaminen

Kiinnitä mittariin hihna, jonka avulla mittaria on tukeva pidellä. Katso [Kuva 3](#).

Kuva 3 Hihnan asentaminen

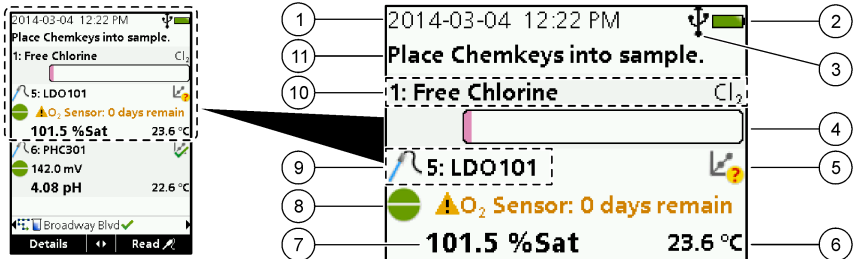


Osa 5 Käyttöliittymä ja selaaminen

5.1 Näytön kuvaus

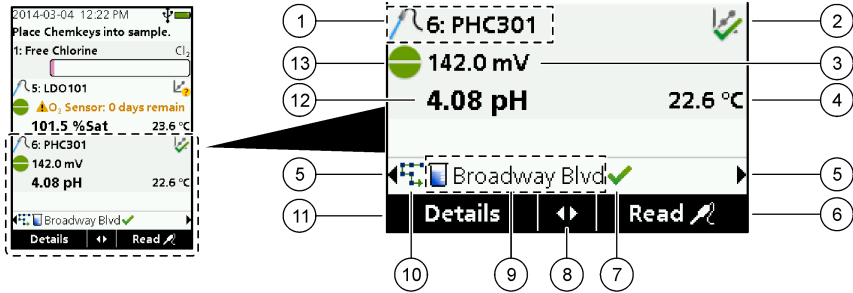
Mittausnäytön eri osat on esitelty tarkemmin kuvissa [Kuva 4](#) ja [Kuva 5](#).

Kuva 4 Mittausnäyttö (yläosa)



1 Päivämäärä ja kellonaika	7 Ensijainen mittausarvo (käyttäjän valitsema parametri)
2 Akun tila	8 Vakauskuvake, varoituskuvake ja varoitusviesti
3 USB-portin (sarjaportin) yhteys aktiivinen -kuvake, kun tiedonsiirtoluokka on valittu	9 Anturikuvake, liittännän numero, parametrin tai anturin nimi
4 Mittauksen edistymispalkki (mittaus on kesken)	10 Chemkey-paikan nimi, parametrin nimi ja kemikaalin symboli
5 Kalibroinnin tilakuvake (virheellinen kalibrointi)	11 Tärkeä laitteita koskeva viesti (tätä seuraa virheviesti ja varoitusviesti)
6 Toissijainen mittaus (käyttäjän valitsema parametri)	

Kuva 5 Mittausnäyttö (alaosa)

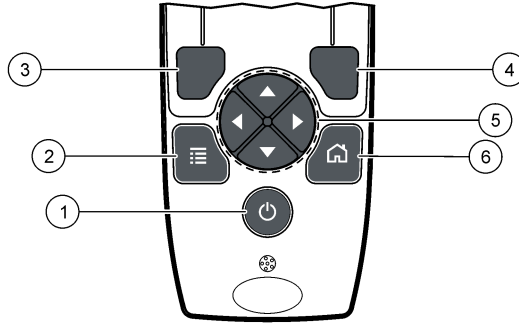


1 Anturikuvake, liitännän numero, parametrin tai anturin nimi	8 Aktiiviset nuolinäppäimet
2 Kalibroinnin tilakuvake (kalibrointi kunnossa)	9 Paikan tunnuskuvake ja paikan nimi
3 Toissijainen mittausarvo (käyttäjän valitsema parametri)	10 Reittikuvake (näkyvä, kun Reitit-asetus on käytössä)
4 Kolmas mittausarvo (käyttäjän valitsema parametri)	11 Komennot (tilanneriippuvaisia: Lisätietoja, Poistu, Peruuta, Valitse, Poista valinta)
5 Oikea ja vasen nuoli paikan tunnuksen valitsemiseen	12 Ensisijainen mittausarvo (käyttäjän valitsema)
6 Komennot (tilanneriippuvaisia: Lue, Valitse, OK, Poista)	13 Vakauskuvake
7 V-symboli: paikalla tehty mittaus on valmis	

5.2 Näppäimistön kuvaus

Kohdassa [Kuva 6](#) kuvataan näppäimistö ja valikoissa siirtymiseen liittyviä tietoja.

Kuva 6 Näppäimistön kuvaus



1 Virtapainike	4 OIKEA valintapainike (tilanteen mukaan): lukee näytteen, poistaa, valitsee tai vahvistaa vaihtoehtoja, avaa alivalikot.
2 Päävalikkopainike: valitse varmennus, kalibrointi, reitit, asetukset, dataloki, tiedot, vianmääritys, käyttäjätunnus tai paikan tunnus.	5 Siirtymisnäppäimet YLÖS, ALAS, OIKEALLE, VASEMMALLE. ¹ : valikoiden selaaminen, numeroiden ja kirjainten syöttö.
3 VASEN valintapainike (tilanteen mukaan): avaa asetukset, peruuttaa nykyisen valikkonäytön tai siirtyä siitä edelliseen.	6 ALOITUS: palauttaa päämittausnäyttöön.

Osa 6 Käynnisty

6.1 Virran kytkeminen

Kytke ja sammuta mittarin virta painamalla **virtapainiketta**. Jos mittari ei käynnisty, varmista että akku on asennettu oikein.

6.2 Kielen vaihtaminen

Valitse näytön kieli, kun käynnistät mittarin ensimmäistä kertaa. Vaihda kieli **Asetukset**-valikossa.

1. Valitse **Asetukset > Kieli**.
2. Valitse haluamasi kieli.

6.3 Päiväyksen ja ajan muuttaminen

Päivämäärän ja kellonajan sekä niiden näyttömuodon määrittämiseen on kaksi vaihtoehtoa:

- Aseta päivämäärä ja kellonaika, kun käynnistät mittarin ensimmäistä kertaa.
- Aseta päivämäärä ja kellonaika Pvm ja kellonaika -valikosta.

1. Valitse **Asetukset > Mittari > Pvm ja aika**.
2. Valitse päivämäärän ja kellonajan esitysmuoto nuolinäppäimillä ja syötä sitten oikeat päivämäärä- ja kellonaikatiedot.
Päivämäärä ja kellonaika näkyvät laitteen näytössä ja lokiin tallentuissa mittaustiedoissa.

¹ YLÖS, ALAS: selaa mittauksia, kun niitä on enemmän kuin neljä; OIKEALLE, VASEMMALLE: selaa käyttäjätunnuksia ja paikkojen tunnuksia.

Osa 7 Peruskäyttö

7.1 Käyttäjätunnuksen käyttäminen

Käyttäjätunnus yhdistää mittaukset ne suorittaneeseen käyttäjään. Kaikkiin tallennettuihin mittaustietoihin sisältyy käyttäjätunnus.

Voit hallita käyttäjätunnuksia helposti verkkosovelluksella tool.htm. Lisätietoja on valmistajan verkkosivuilla.

1. Valitse **Päävalikko > Käyttäjätunnus**.
2. Valitse vaihtoehto.

Vaihtoehto	Kuvaus
Tila	Käyttäjätunnuksen ottaminen käyttöön tai pois käytöstä (oletusasetus).
Valitse	Valitse tunnus luettelosta. Nykyinen tunnus liitetään näytetietoihin, kunnes valitaan toinen tunnus. Valitse käyttäjätunnus aloitusnäytöstä YLÖS- ja ALAS-nuolinäppäimillä. Voit valita käyttäjätunnuksen mittausnäytössä ennen Chemkeyn asettamista Chemkey-paikkaan tai anturin kytkemistä.
Luo	Anna nimi uudelle käyttäjätunnukselle.
Poista	Poista olemassa oleva käyttäjätunnus.

7.2 Paikan tunnuksen käyttö

Paikan tunnus on tunniste, jota käyttämällä mittaukset voi liittää tiettyyn näytteeseen tai paikkaan. Jos toiminto on käytössä, tallennettu mittaustieto sisältää kyseisen tunnuksen.

Voit hallita paikan tunnuksia helposti verkkosovelluksella tool.htm. Lisätietoja on valmistajan verkkosivuilla.

1. Valitse **Päävalikko > Paikan tunnus**.
2. Valitse vaihtoehto.

Vaihtoehto	Kuvaus
Tila	Aseta Paikan tunnuksen asetukseksi Manuaalinen, Automaattinen, Pois käytöstä tai Reitit. Manuaalinen: Paikan tunnus määritetään manuaalisesti. Automaattinen: Kunkin mittauksen näytteet numeroidaan järjestyksessä, kunnes toinen tunnus valitaan. Pois käytöstä: Paikan tunnus ei ole käytössä (oletusasetus). Reitit: Näyttää koko Paikan tunnus -luettelon järjestelynä.
Valitse	Valitse tunnus luettelosta. Nykyinen tunnus liitetään näytetietoihin, kunnes valitaan toinen tunnus. Määritä asetuksen Paikan tunnus > Näytä arvoksi Kyllä. Valitse näytöstä nykyinen paikan tunnus VASEMMALLA tai OIKEALLA nuolinäppäimellä. Varmista, että asetuksen Paikan tunnus > Näytä arvo on Kyllä, ja että vähintään yksi Chemkey on paikassaan tai mittariin on kytketty vähintään yksi anturi.
Luo	Lisää uuden paikan tunnuksen.
Poista	Poistaa olemassa olevan paikan tunnuksen. Huomautus: Jos haluat poistaa paikan tunnuksen, muista valita tilaksi Manuaalinen .
Näytä	Näyttää paikan tunnuksen mittausnäytössä. Asetusvaihtoehdot ovat käytössä ja ei käytössä.
Reitit	Näyttää paikan tunnukset järjestelynä luettelona. Kun valitset jonkin reitin, paikan tunnukset näkyvät automaattisesti mittausnäytössä ja tallentuvat lokiin. Valitse seuraava sijainti painamalla oikeaa nuolinäppäintä. Voit määrittää reittejä verkkosovelluksella tool.htm. Lisätietoja on valmistajan verkkosivuilla.
Huomautukset	Tallentaa lisätietoja ja lisää ne tapahtumalokiin.

7.3 Mittausten suorittaminen Chemkeyllä

HUOMAUTUS

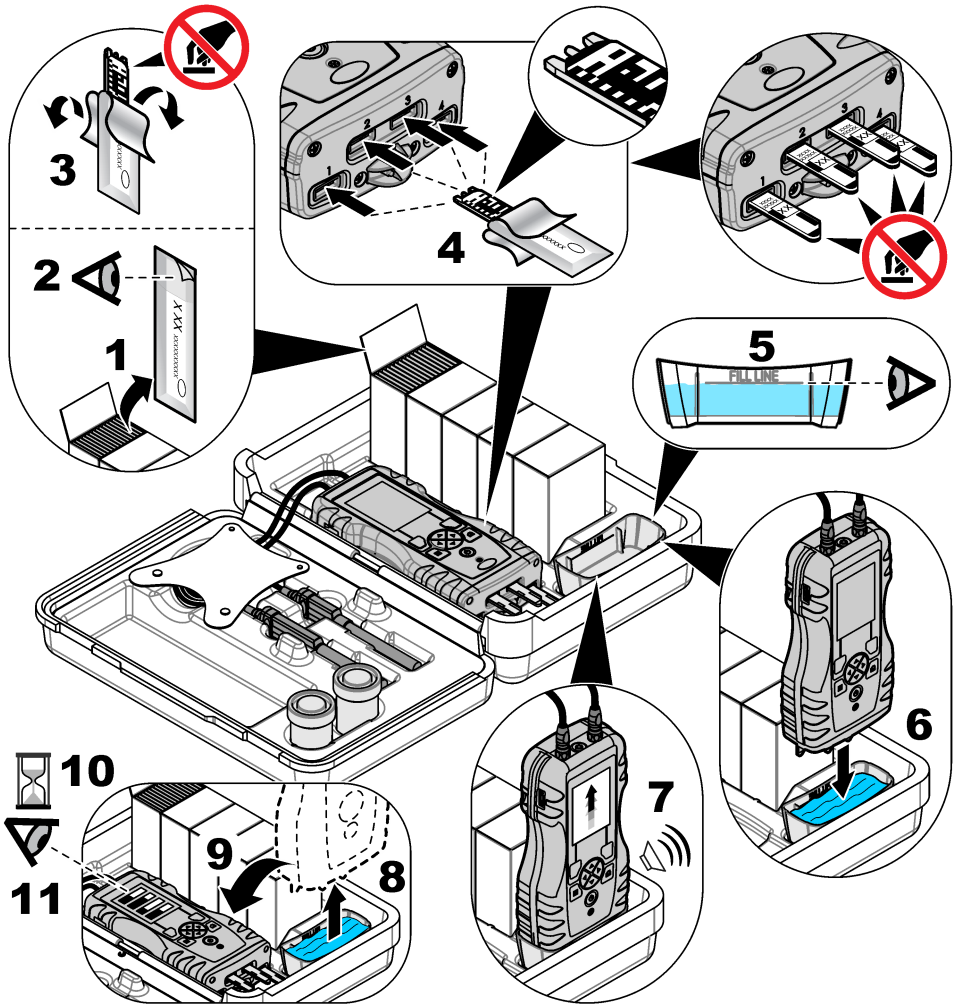
Älä aloita uutta Chemkey-mittausta, jos jokin muu Chemkey-mittaus on vielä kesken. Aseta mittari näytteeseen vain kerran Chemkey-mittausta varten.

Suorita mittaus yhdellä tai useammalla Chemkeyllä seuraavien ohjeiden mukaisesti. Katso kohta [Kuva 7](#). Voit suorittaa samanaikaisesti useita anturimittauksia. Katso kohta [Mittausten suorittaminen anturilla](#) sivulla 241.

1. Kytke mittariin virta.
2. Jos jäljitettävyyttä on tarpeen, anna ennen mittausta paikan tunnus ja käyttäjätunnus. Katso kohdat [Käyttäjätunnuksen käyttäminen](#) sivulla 238 ja [Paikan tunnuksen käyttö](#) sivulla 238.
3. Työnnä tarvittava(t) Chemkey(t) hitaasti yhdellä liikkeellä paikkaan (paikkoihin) 1-4. Käytä jokaiseen mittaukseen aina uutta Chemkeyä. Muista työntää Chemkey kokonaan paikalleen. Kun Chemkey on paikallaan, älä liikuta sitä tai koske siihen.²
4. Huuhtelee näyttekuppi näytteellä.
5. Täytä mittarin näyttekuppi näytteellä täyttöviivaan saakka.
6. Aseta mittari näyttekuppiin.
7. Odota äänimerkkiä ja/tai mittarin poistamisen merkkianimaatiota (tapahtuu 1–2 sekunnin kuluessa). Nosta sen jälkeen mittari heti pois näyttekupista. Laita sitten mittari takaisin kotelonsa ja odota mittauksen valmistumista. Eri parametreilla on eri reaktioajat. Näytössä näkyvä palkki kertoo, kauanko mittauksen valmistumiseen on vielä aikaa.
8. Mittausarvot näkyvät näytössä.
Huomautus: Jos näyttöön tulee virheviesti, voit katsoa lisätietoja valitsemalla **Lisätietoja**.

² Vapaan ammoniakkin mittaukseen tarvitaan sekä monoklooriamiinin Chemkey että vapaan ammoniakkin Chemkey.

Kuva 7 Näytteen mittaaminen Chemkeyn avulla



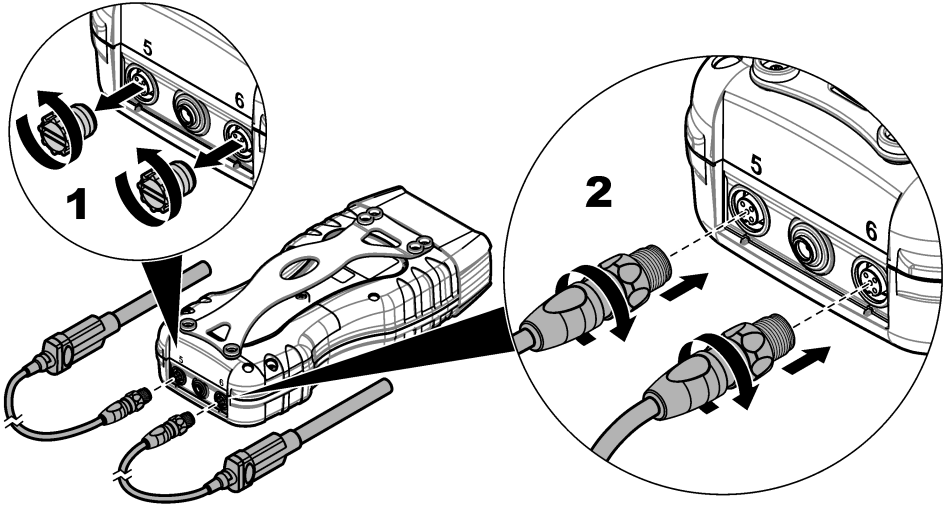
7.4 Anturin kytkeminen

HUOMAUTUS

Älä hävitä anturiliitännöiden korkkeja. Varmista, että anturiliitännöiden korkit ovat paikoillaan, kun mittariin ei ole kytketty antureita.

Varmista, että näytössä näkyvät kellonaika- ja päivämäärätiedot ovat oikeat, ja kytke sitten anturi mittariin. Katso kohta [Kuva 8](#).

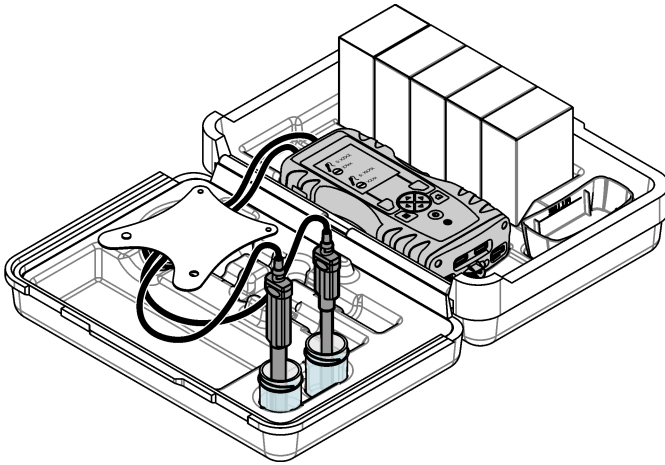
Huomautus: Anturin aikaleima määritetään, kun anturi kytketään mittariin ensimmäisen kerran. Aikaleima mahdollistaa anturin käyttöhistorian tallentamisen sekä mittausajankohtien tallentamisen.



7.5 Mittausten suorittaminen anturilla

Suorita mittaus yhdellä tai useammalla anturilla seuraavien ohjeiden mukaan. Katso kohta [Kuva 9](#). Voit suorittaa samanaikaisesti useita Chemkey-mittauksia. Katso kohta [Mittausten suorittaminen Chemkeyllä](#) sivulla 239.

1. Kalibroi anturit ennen ensimmäistä käyttöä. Katso kohta [Anturin kalibrointi](#) sivulla 242.
Huomautus: Paras tarkkuus saavutetaan, kun anturit kalibroidaan päivittäin.
2. Aseta mittarin päivämäärä- ja kellonaika-asetukset ennen anturin kytkemistä. Katso kohta [Päiväyksen ja ajan muuttaminen](#) sivulla 237.
Anturin käyttöiän aikaleiman on oltava oikea.
3. Jos jäljitettävyyden on tarpeen, anna ennen mittausta paikan tunnus ja käyttäjätunnus. Katso kohdat [Käyttäjätunnuksen käyttäminen](#) sivulla 238 ja [Paikan tunnuksen käyttö](#) sivulla 238.
4. Irrota anturiliitännöiden korkit ja kytke anturit. [Kuva 8](#) sivulla 241 esittää anturien kytkemistä.
Huomautus: Älä hävitä anturiliitännöiden korkkeja. Asenna anturiliitännöiden korkit takaisin paikoilleen, kun mittariin ei ole kytketty antureita.
5. Huuhtele näytepullo näytteellä.
6. Täytä näytepullo näytteellä niin, että anturi tulee kokonaan näytteen pinnan alle.
7. Työnnä anturit näytepulloihin ja valitse **Lue**, jos mittaustilaksi on asetettu **Yksittäismittaus**. Lisätietoja on anturin dokumentaatiossa.
8. Mittausarvot näkyvät näytössä.




Osa 8 Kalibrointi

▲VAROTOIMI



Kemikaalille altistumisen vaara. Noudata laboratorion turvallisuusohjeita ja käytä käsiteltäville kemikaaleille soveltuvia suojavarusteita. Lue turvallisuusprotokollat ajan tasalla olevista käyttöturvatiiedoista (MSDS/SDS).

8.1 Anturin kalibrointi

Kukin anturi käyttää erilaista kalibrointiratkaisua. Anturien kalibroiminen säännöllisesti on välttämätöntä niiden tarkkuuden ylläpitämiseksi. Mittari näyttää kalibroinnin tilan. Jos kalibrointi on virheellinen, kysymysmerkillä varustettu kalibrointikuvake  näkyy näytössä, kunnes anturi on kalibroitu oikein. Kun kalibrointi on kunnossa, kalibrointikuvakkeessa näkyy vihreä V-symboli. Katso tarkempia ohjeita kyseisen anturin mukana toimitetuista oppaista. Lisätietoja on valmistajan verkkosivuilla.

1. Kytke anturi.
2. Aloita kalibrointi valitsemalla **Päävalikko > Kalibroi**.
3. Jos laitteeseen on kytketty useampi kuin yksi anturi, valitse oikea anturi.
Huomautus: Jos laitteeseen on kytketty vain yksi anturi, tämä vaihe jää väliin.
4. Kalibroi anturi näytön ohjeiden mukaan.

Huomautus: Jos kyseessä on ISE-anturi, siirry seuraavaan kalibrointistandardiin painamalla OIKEANPUOLEISTA nuolta. Mittaa standardit alhaisesta pitoisuudesta korkeaan pitoisuuteen.

5. Tee tarvittaessa varmennus. Katso kohta [Anturivarmennus](#) sivulla 243.

8.2 Tehdaskalibrointi

Valmistaja suosittelee täydellistä tehdaskalibrointia tehtäväksi vuosittain, jotta voidaan olla varmoja, että järjestelmä toimii odotetusti. Ota yhteys lähimpään Hach-huoltoon.

8.3 Mittarin kalibrointi tiettyä Chemkey-parametria varten

Jokaisella Chemkeyllä on omat kalibrointiasetuksensa. Lisätietoja on valmistajan verkkosivuilla.

1. Työnnä tarvittava(t) Chemkey(t) hitaasti yhdellä liikkeellä paikkaan (paikkoihin) 1-4.
2. Aloita kalibrointi valitsemalla **Päävalikko > Kalibroi**.
3. Valitse haluamasi Chemkey.
4. Syötä oikea perussäätöarvo.
5. Kalibroi Chemkey näytön ohjeiden mukaan.
6. Tee tarvittaessa varmennus. Katso kohta [Chemkey-varmennus](#) sivulla 243.

8.4 Anturivarmennus

1. Aloita varmennus valitsemalla **Päävalikko > Varmennus**.
2. Valitse oikea laite.
3. Suorita varmennus näytön ohjeiden mukaan.

Huomautus: *Vaihda varmennukseen käytettävää standardia valitsemalla **Päävalikko>Asetukset>Anturi>[Valitse anturi]>Varmennusvaihtoehdot>Standardi**.*

8.5 Chemkey-varmennus

Chemkey-varmennuksen voi tehdä kahdella eri tavalla. Voit käyttää varmennukseen joko parametrikohtaista Chemkeytä tai järjestelmän varmennus-Chemkeytä. Katso kohta [Varaosat ja varusteet](#) sivulla 249.

• Parametrikohtainen Chemkey:

1. Työnnä parametrikohtainen Chemkey hitaasti yhdellä liikkeellä paikkaan (paikkoihin) 1-4.
2. Aloita sitten varmennus valitsemalla **Päävalikko > Varmennus**.
3. Suorita prosessi näytön ohjeiden mukaan.

• Järjestelmän varmennus-Chemkey:

1. Aloita varmennus valitsemalla **Päävalikko > Varmennus**.
2. Paina sitten järjestelmän varmennus-Chemkey hitaasti yhdellä liikkeellä ensimmäiseen paikkaan.
3. Suorita prosessi näytön ohjeiden mukaan.

Osa 9 Datan keruu

Kaikki tallennetut mittaukset ovat datalokissa.

1. Valitse **Päävalikko > Dataloki**.
2. Valitse vaihtoehto.

Vaihtoehto	Kuvaus
Kaikki lokit pvm:n mukaan	Näyttää näytteiden mittaustulosten tiedot: anturin nimen, anturin sarjanumeron, mitatun arvon, yksikön, lämpötilan, kellonajan, päivämäärän, huomautukset, käyttäjätunnuksen, paikan tunnuksen ja kalibrointitiedot. Näytössä näkyy viimeinen mittaustulos. Voit tarkastella edellisiä mittaustuloksia painamalla VASENTA nuolinäppäintä.
Anturin nyk. kalibrointi	Näyttää viimeisimmän kalibroinnin tiedot. Mikäli käyttäjä ei ole kalibroinut anturia, näytetään tehdaskalibroinnin tiedot.
Anturin kalibr.historia	Näyttää luettelon anturin kalibrointiajankohdista. Valitsemalla päivämäärän ja kellonajan saat näkyviin yhteenvetotiedot kyseisestä kalibroinnista.
Poista dataloki	Poistaa kaikki mittariin tallennetut tiedot välittömästi. Laitetietoja ei poisteta.

9.1 Tietojen tuonti Excelliin

▲ VAROITUS



Sähköiskun vaara. Ulkoisesti kytketyillä laitteilla on oltava kyseisen maan turvallisuusstandardiarvio.

Mittari tallentaa datalokin XML-tiedostomuodossa. Paikan tunnuksen, jakson, päivämäärän ja kellonajan, parametrin, mittausarvon, yksiköt, käyttäjätunnuksen, Chemkey-paikan numeron, Chemkeyn eräkoodin ja mittarin sarjanumeron voi tallentaa Excel-laskentataulukkoon.

1. Kytke mittariin virta.
2. Kytke mittari tietokoneeseen USB-kaapelilla. Mittari näkyy tietokoneella asemana nimeltä Hach Portable Parallel Analysis.
3. Avaa asemalta kansio DataTemplate.
4. Avaa tiedosto LogTemplate.xlsx.
5. Napsauta solua A2 hiiren kakkospainikkeella ja valitse XML > Tuo.
6. Valitse kaikki aseman Hach Portable Parallel Analysis -aseman Data-kansiossa olevat lokitiedostot.
7. Valitse **Tuo**.
Dataloki avautuu Excel-laskentataulukkoon.
8. Voit tarvittaessa tallentaa tiedoston tietokoneelle tai USB-muistiin.
9. Irrota mittari turvallisesti tietokoneesta. Napsauta tehtäväpalkin vihreällä nuolella varustettua Poista laite turvallisesti ja poista tietoväline asemasta -kuvaketta.
Huomautus: Saat kaikki tehtäväpalkin kuvakkeet näkyviin valitsemalla Näytä piilotetut kuvakkeet.
10. Irrota USB-kaapeli mittarista.

9.2 Tietojen tarkastelu selaimessa

Jos haluat tarkastella datalokin sisältöä selaimessa, toimi seuraavasti. Paikan tunnuksen, jakson, päivämäärän ja kellonajan, parametrin, mittausarvon, yksiköt, käyttäjätunnuksen, Chemkey-paikan numeron, Chemkeyn eräkoodin ja mittarin sarjanumeron voi näyttää selaimessa.

1. Kytke mittariin virta.
2. Kytke mittari tietokoneeseen USB-kaapelilla. Mittari näkyy tietokoneella asemana nimeltä Hach Portable Parallel Analysis.
3. Avaa asemalta kansio Data.
4. Avaa jokin datalokitiedosto.
 - Avaa tiedosto LogNN.XML (NN = numeroita väliltä 0–9) missä tahansa selaimessa.
 - Valitse selaimessa **File (Tiedosto) > Open (Avaa)** ja selaa Data-kansioon.
5. Voit tarvittaessa tallentaa tiedoston tietokoneelle tai USB-muistiin.
6. Irrota mittari turvallisesti tietokoneesta. Napsauta tehtäväpalkin vihreällä nuolella varustettua Poista laite turvallisesti ja poista tietoväline asemasta -kuvaketta.
Huomautus: Saat kaikki tehtäväpalkin kuvakkeet näkyviin valitsemalla Näytä piilotetut kuvakkeet.
7. Irrota USB-kaapeli mittarista.

Osa 10 Huoltaminen

▲ VAROITUS



Useita vaaroja. Vain ammattitaitoinen henkilö saa suorittaa käyttöohjeen tässä osassa kuvatut tehtävät.

▲ VAROTOIMI



Kemikaalille altistumisen vaara. Noudata laboratorion turvallisuusohjeita ja käytä käsiteltäville kemikaaleille soveltuvia suojavarusteita. Lue turvallisuusprotokollat ajan tasalla olevista käyttöturvatiedoista (MSDS/SDS).

▲ VAROTOIMI



Kemikaalille altistumisen vaara. Hävitä kemikaalit ja muut jätteet paikallisten ja kansallisten säädösten mukaisesti.

10.1 Roiskeiden puhdistaminen

▲ VAROTOIMI



Kemikaalille altistumisen vaara. Hävitä kemikaalit ja muut jätteet paikallisten ja kansallisten säädösten mukaisesti.

1. Noudata kaikkia laitoksen roiskeita koskevia turvallisuusohjeita.
2. Hävitä jätteet sovellettavien säädösten mukaisesti.

10.2 Laitteen puhdistaminen

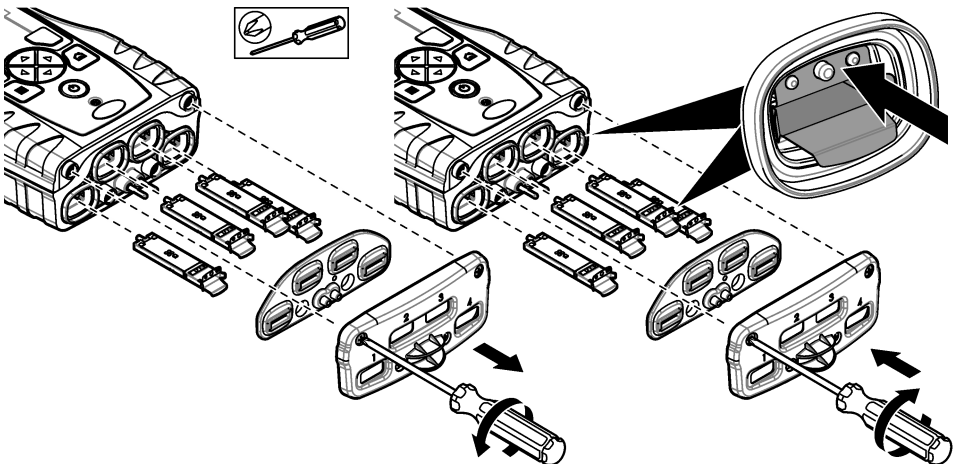
Puhdista laitteen ulkopinta kostealla liinalla ja laimealla saippuuliuksella ja pyyhi se sitten kuivaksi.

10.3 Osien puhdistaminen ja vaihtaminen

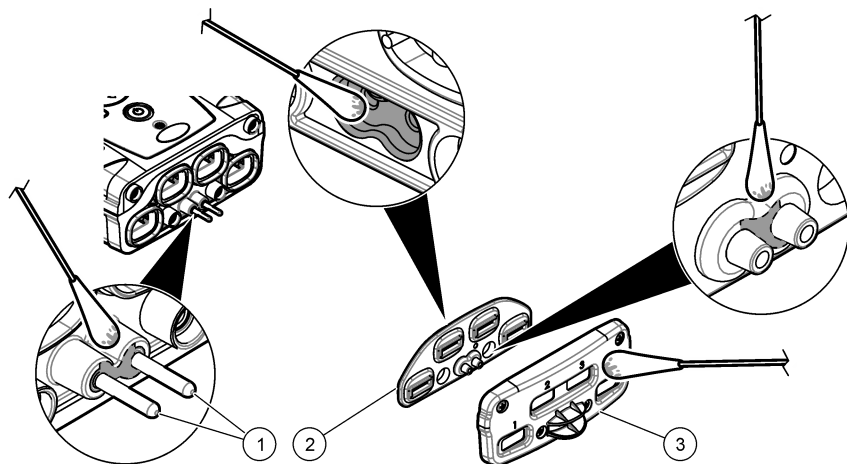
Jotkin virheviestit ja varoitukset edellyttävät laitteen Chemkey-paikkojen, optisten ikkunoiden, viivakoodin lukuikkunan tai näytetunnistimen puhdistusta tai alustojen vaihtoa. Puhdista osat isopropyylialkoholilla. Puhdista valosuoja vedellä ja miedolla puhdistusaineella. Pyyhi pumpulipuikolla vain yhteen suuntaan. [Kuva 10](#) esittää optiikan kannen, valosuojan ja alustojen irrottamista. [Kuva 11](#) ja [Kuva 12](#) kuvaavat puhdistusta tarkemmin.

Tarvittavat välineet: pumpulipuikko, isopropyylialkoholia, vettä ja mietoja puhdistusainetta.

Kuva 10 Osien irrottaminen ja asentaminen

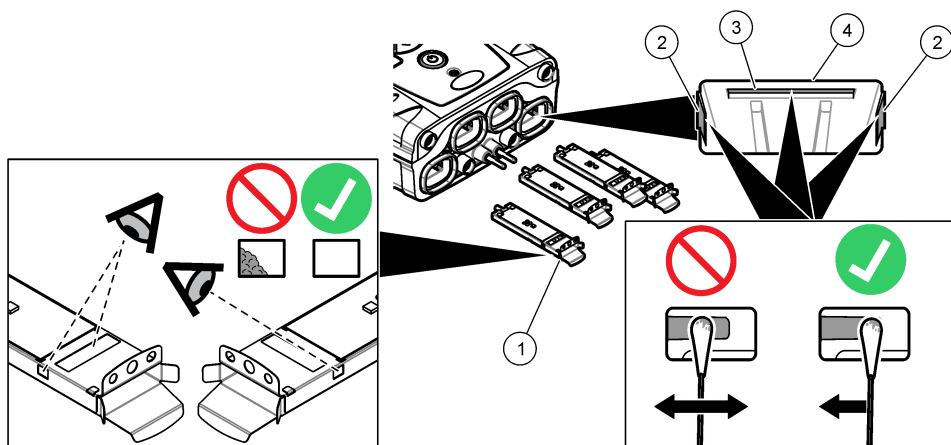


Kuva 11 Näytetunnistimen, valosuojan ja optiikan kannen puhdistaminen



1 Näytetunnistin	3 Optiikan kansi
2 Valosuojaus	

Kuva 12 Alustojen ja Chemkey-paikkojen puhdistaminen



1 Alusta	3 Viivakoodin lukuikkuna
2 Optinen ikkuna	4 Chemkey-paikka

10.4 Akun lataaminen ja vaihtaminen

Lataa akku, kun sen varaus on alhainen. Jos akun varaus ei pysy, vaihda akku. Käytä ainoastaan valmistajan toimittamia teknisissä tiedoissa mainittuja akkuja. Katso kohdat [Akun asentaminen](#) sivulla 233 ja [Varaosat ja varusteet](#) sivulla 249.

10.5 Lähetyksen valmistelu

HUOMAUTUS

Laitteen vaurioitumisen vaara. Tyhjennä laitteesta kaikki vesi ennen lähettämistä, jotta se ei vaurioituisi pakkasella.

Ota yhteys tekniseen tukeen ennen laitteen lähettämistä valmistajalle.

- Puhdista ja desinfioi laite ennen lähettämistä.
- Lähettävässä mittarissa on oltava akku asennettuna. Varmista kuitenkin, ettei akku ole kytkettynä liittimeen.
- Irrota kaikki anturit ja poista Chemkeyt laitteesta ennen sen lähettämistä.
- Lähetä laite alkuperäisessä pakkauksessaan tai muussa turvallisessa pakkauksessa.

Osa 11 Vianmääritys

Virheilmoitus/varoitus	Mahdollinen syy	Ratkaisu
Viivakoodin lukuvirhe Aseta Chemkey(t) uudelleen	Chemkey toimii virheellisesti. Chemkey on asennettu väärin.	<ul style="list-style-type: none"> • Aseta Chemkey uudelleen paikkaansa. • Käytä uutta Chemkeytä. • Puhdista viivakoodin lukuikkuna. Katso kohta Kuva 12 sivulla 246. • Jos ongelma ei ratkea, ota yhteys tekniseen tukeen.
Näytteen virhe.	Chemkey toimii virheellisesti. Chemkeytä ei ole työnnetty kokonaan paikalleen.	Käytä uutta Chemkeytä ja työnnä Chemkey kokonaan paikalleen. Jos ongelma ei ratkea, ota yhteys tekniseen tukeen.
Chemkey vuotanut. Kokeile toista		
Chemkey vanhentunut	Chemkeyn käyttöaika on kulunut loppuun.	
Mittausvirhe (1–4)	Ilmoitetussa Chemkey-paikassa tapahtui mittausvirhe.	
Parametria ei tueta	Parametri ei ole käytettävissä asennetussa laiteohjelmistossa.	Päivitä laiteohjelmisto. Hae sivustosta www.hach.com kohdetta "SL1000". Siirry osioon Lataukset > Ohjelmisto/laitteisto ja noudata verkkosivujen ohjeita.
Käytet. Chemkey - vaihda	Chemkeytä on jo käytetty tai Chemkey-paikassa on vettä.	Käytä uutta Chemkeytä. Jos ongelma ei ratkea, kuivaa Chemkey-paikka ja laite ja yritä uudelleen. Jos ongelma ei ratkea, ota yhteys tekniseen tukeen.
Alusta vuotanut. Vaihda alusta.	Mittausalustan ongelma.	Vaihda alusta. Katso kohta Kuva 10 sivulla 245. Jos ongelma ei ratkea, ota yhteys tekniseen tukeen.
Lämmitinvirhe Vaihda alusta	Alusta toimii virheellisesti.	
Poista näytteestä.	Mittari on asetettu näytteeseen ennen kuin se oli valmis.	Odota, että mittari on valmis näytteeseen asetettavaksi.
Näyte poistettiin liian aik.		Aseta Chemkey-paikkaan toinen Chemkey. Odota, että mittari on valmis näytteeseen asetettavaksi.

Virheilmoitus/varoitus	Mahdollinen syy	Ratkaisu
Liian pitkään näytteessä	Chemkeyt ovat olleet näytteessä liian kauan. Seurauksena oli mittausvirhe.	Nosta Chemkeyt näytteestä heti laitteen kehottaessa.
	Jos tämä varoitus näkyy, kun mittari ei ole näytteessä, näytetunnistimen tappi tai sen ympäristö on likainen.	Puhdista näytetunnistimen tappi ja sen ympäristö. Katso kohta Osien puhdistaminen ja vaihtaminen sivulla 245. Jos ongelma ei ratkea, ota yhteys tekniseen tukeen.
Sallitun alueen yläpuolella	Pitoisuus ylittää nykyiselle menetelmälle määritetyn ylärajan.	Laimenna näyte ja tee mittaus uudelleen.
Sallitun alueen alapuolella	Pitoisuus alittaa nykyiselle menetelmälle määritetyn alarajan.	—
Alusta liian kylmä.	Mittari saattaa olla liian kylmä alustan lämmittämiseen tai lämmitin ei toimi.	Vie mittari lämpimämpään paikkaan ja tee mittaus uudelleen. Vaihda alusta.
Alusta liian kuuma	Mittari on niin kuuma, ettei oikeita mittaustuloksia voi saada.	Jäähdytä mittaria tai vie mittari viileämpään paikkaan.
Liikaa valoa. Aseta Chemkey pimeämmässä paikassa	Ympäristön valaistus on liian kirkas viivakoodin lukemiseen.	Vie mittari hämärapään paikkaan ja aseta Chemkey uudelleen paikkaansa.
Heikko valo. Puhdista Chemkey-paikka.	Chemkey toimii virheellisesti. Chemkey on asennettu väärin.	<ul style="list-style-type: none"> • Työnnä Chemkey paikalleen yhdellä liikkeellä. • Käytä uutta Chemkeytä. • Puhdista Chemkey-paikka. Katso kohta Kuva 12 sivulla 246. • Jos ongelma ei ratkea, ota yhteys tekniseen tukeen.
Laite vaatii huoltoa.	Moduulin vika.	Käytä virheettömästi toimivia moduuleita. Ota yhteys tekniseen tukeen ja korjauta viallinen moduuli.
Näytettä ei löytynyt.Liikaa valoa	<ul style="list-style-type: none"> • Näytekuppia ei ole täytetty viivaan saakka. • Näytteen johtavuus on alle 2 µS/cm. 	<ul style="list-style-type: none"> • Varmista, että näytekuppi on täytetty viivaan saakka. • Varmista, että näytteen johtavuus on yli 2 µS/cm. • Puhdista näytetunnistin. Katso kohta Kuva 11 sivulla 246. • Jos ongelma ei ratkea, ota yhteys tekniseen tukeen.

11.1 Vianmäärittystarkastuksen tekeminen

Vianmäärittysvalikko sisältää tiedot mittarin nykyisistä versioista ja muistikortin alustuskomennon.

1. Valitse **Päävalikko > Vianmäärittys**.
2. Valitse vaihtoehto.

Vaihtoehto	Kuvaus
Levytila	Näyttää käyttäjän muistin ja sisäisen muistin käytettävissä olevan levytilan.
Määrit.tiedostoversiot	Näyttää mittarin asetusten määritystiedostojen versiotiedot.

Vaihtoehto	Kuvaus
Menetelmäversiot	Näyttää mittarin menetelmäversiotiedot.
Alusta muisti	Poistaa kaikki mittarin tiedot. Huomautus: Kun Alusta muisti -toiminto on suoritettu, kaikki mittarin tiedot, kuten määrittelyt, paikkojen tunnukset, käyttäjätunnukset, reitit, huomautukset, mallit yms. on poistettu.

Osa 12 Varaosat ja varusteet

⚠ VAROITUS



Henkilövahinkojen vaara. Hyväksymättömien osien käyttö voi aiheuttaa henkilövahingon tai laitteen toimintahäiriön tai vaurioittaa laitetta. Tässä osassa esitellyt varaosat ovat valmistajan hyväksymiä.

Huomautus: Tuote- ja artikkelinumerot voivat vaihdella joillain markkina-alueilla. Ota yhteys asianmukaiseen jälleenmyyjään tai hae yhteystiedot yhtiön Internet-sivustolta.

Katso oppaan laajennetun version kohta Varaosat ja lisävarusteet.

Съдържание

- 1 [Онлайн ръководство за потребителя](#) на страница 250
- 2 [Спецификации](#) на страница 250
- 3 [Обща информация](#) на страница 251
- 4 [Инсталиране](#) на страница 253
- 5 [Потребителски интерфейс и навигация](#) на страница 256
- 6 [Включване](#) на страница 258
- 7 [Стандартна операция](#) на страница 259
- 8 [Калибриране](#) на страница 263
- 9 [Регистър данни](#) на страница 264
- 10 [Поддръжка](#) на страница 266
- 11 [Откриване и отстраняване на неизправности](#) на страница 269
- 12 [Резервни части и принадлежности](#) на страница 271

Раздел 1 Онлайн ръководство за потребителя

Основното ръководство за потребителя съдържа по-малко информация от ръководството за потребителя, което се намира на уебсайта на производителя.

Раздел 2 Спецификации

Спецификациите подлежат на промяна без уведомяване.

Спецификация	Данни
Размери (Ш x Д x В)	13,08 x 5,89 x 25,83 cm (5,15 x 2,32 x 10,17 in.)
Категория на корпуса	IP64 с инсталирани тапи на портовете за конекторите на сондите на измервателния уред или със сонди, свързани към инструмента
Тегло	1,2 kg (2,7 lb)
Изисквания за захранването (вътрешно)	Литиево-йонна акумулаторна батерия, 7,4V, 5,0Ah (5000mAh)
Изисквания за захранването (външно)	100 V – 240 VAC, 50/60 Hz вход, 12 V при изход 3 A
Работна температура (разтоварване)	От 5 до 50 °C (от 41 до 122 °F), максимум 85% относителна влажност (без конденз)
Температура на зареждане	От 5 до 45 °C (от 41 до 113 °F), максимум 85% относителна влажност (без конденз)
Температура на съхранение	От –20 до 60 °C (–4 до 140 °F), максимум 85% относителна влажност, (без конденз)
Интерфейс	Mini USB порт
Конектор за вход с 5 извода	Два конектора M12 за сонди IntelliCal
Връзка за външно електрозахранване	2,5 mm жак
Слотове за Chemkey	4
Памет за данни	1000 измерени стойности (резултат, дата, час, ID на проба, ID на потребител)
Съхраняване на данни	Автоматично в измервателен режим "Натиснете за отчитане". Ръчно в режим "Непрекъснато измерване"
Корекция на температурата (за сонди IntelliCal™)	Изключено, автоматично и ръчно (според параметъра)
Заклучен измервателен дисплей (за сонди IntelliCal™)	Режим "Натиснете за отчитане" и "Непрекъснато измерване"
Клас на защита	III

Спецификация	Данни
Сертификации	CE, UKCA, FCC, ISED, RCM, KC
Гаранция	1 година

Раздел 3 Обща информация

В никакъв случай производителят няма да бъде отговорен за щети, произлизащи от каквато и да било неправилна употреба на продукта или неспазване на инструкциите в ръководството. Производителят си запазва правото да прави промени в това ръководство и в описаните в него продукти във всеки момент и без предупреждение или поемане на задължения. Коригираните издания можете да намерите на уебсайта на производителя.

3.1 Информация за безопасността

Производителят не носи отговорност за никакви повреди, възникнали в резултат на погрешно приложение или използване на този продукт, включително, без ограничения, преки, случайни или възникнали впоследствие щети, и се отхвърля всяка отговорност към такива щети в пълната позволена степен от действащото законодателство. Потребителят носи пълна отговорност за установяване на критични за приложението рискове и монтаж на подходящите механизми за подсигуриране на процесите по време на възможна неизправност на оборудването.

Моля, внимателно прочетете ръководството преди разопаковане, инсталиране и експлоатация на оборудването. Обръщайте внимание на всички твърдения за опасност и предпазливост. Пренебрегването им може да доведе до сериозни наранявания на оператора или повреда на оборудването.

(Уверете се, че защитата, осигурена от това оборудване, не е занижена. Не го използвайте и не го монтирайте по начин, различен от определения в това ръководство.

3.1.1 Използване на информация за опасностите

▲ ОПАСНОСТ

Указва наличие на потенциална или непосредствена опасна ситуация, която, ако не бъде избегната, ще предизвика смърт или сериозно нараняване.

▲ ПРЕДУПРЕЖДЕНИЕ

Указва потенциално или непосредствено опасна ситуация, която, ако не бъде избегната, може да доведе до смърт или сериозно нараняване.

▲ ВНИМАНИЕ



Указва наличие на потенциално опасна ситуация, която може да предизвика леко или средно нараняване.

Забележка

Показва ситуация, която ако не бъде избегната, може да предизвика повреда на инструмента. Информация, която изисква специално изтъкване.

3.1.2 Предпазни надписи

Прочетете всички надписи и етикети, поставени на инструмента. Неспазването им може да доведе до физическо нараняване или повреда на инструмента. Към символ върху инструмента е направена препратка в ръководството с предупредително известие.

	<p>Ако е отбелязан върху инструмента, настоящият символ означава, че е необходимо да се направи справка с ръководството за работа и/или информацията за безопасност.</p>
	<p>Електрическо оборудване, което е обозначено с този символ, не може да бъде изхвърляно в европейските частни или публични системи за изхвърляне на отпадъци. Оборудването, което е оstarяло или е в края на жизнения си цикъл, трябва да се връща на производителя, без да се начисляват такси върху потребителя.</p>

3.1.3 Сертифициране

EN 55011/CISPR 11 Известие за предупреждение

Този продукт е от клас "А". В домашна среда този продукт може да причини радиосмущения, в който случай може да се наложи потребителят да направи адекватни измервания.

Канадски регламент за оборудване, предизвикващо радиосмущения, ICES-003, клас А:

Поддържането на тестовите записи е задължение на производителя.

Тази цифрова апаратура от клас "А" съответства на всички изисквания на канадските разпоредби за съоръжения, предизвикващи смущения.

Cet appareil numérique de classe A répond à toutes les exigences de la réglementation canadienne sur les équipements provoquant des interférences.

ФКК (Федерална комисия по комуникациите) част 15, ограничения относно клас "А"

Поддържането на тестовите записи е задължение на производителя. Това устройство съответства на част 15 от наредбите на ФКК. Работата с него представлява предмет на следните условия:

1. Оборудването не може да причинява вредни смущения.
2. Оборудването трябва да приема всички получени смущения, включително такива, които могат да причинят нежелан начин на работа.

Промени или модификации на това оборудване, които не са изрично одобрени от страните, отговорни за неговата съвместимост, могат да доведат до анулиране на правото за експлоатация на оборудването. Оборудването е тествано, като е установена неговата съвместимост с ограниченията за цифрово устройство от клас "А", което е в съответствие с част 15 от наредбите на ФКК. Тези ограничения са предназначени да осигурят разумна защита срещу вредни смущения при работа на оборудването, когато това става в търговска среда. Оборудването генерира, използва и може да излъчва радиочестотна енергия, като в случай че не бъде инсталирано и експлоатирано в съответствие с ръководството за употреба, може да предизвика вредни смущения на радио комуникациите. Възможно е работата на това оборудване в жилищни зони да доведе до вредни смущения, при който случай потребителят ще трябва да коригира смущенията за своя сметка. За намаляване на проблемите със смущенията могат да се използват следните техники:

1. Изключете оборудването от захранването, за да проверите дали то причинява смущенията.
2. Ако оборудването е свързано към един и същ контакт с устройството, при което се проявяват смущенията, свържете оборудването към друг контакт.
3. Отдалечете оборудването от устройството, което приема смущенията.
4. Променете положението на приемателната антена на устройството, което приема смущенията.
5. Опитайте да приложите комбинация от горните мерки.

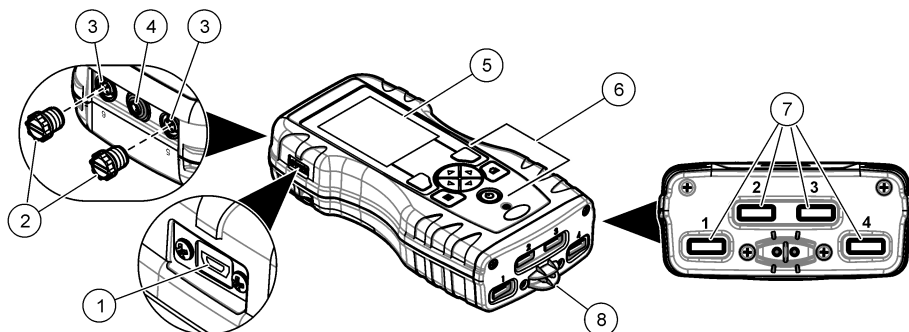
3.2 Общ преглед на продукта

Преносимият паралелен анализатор SL1000 измерва най-много шест параметъра едновременно в питейна вода и други приложения с питейна вода. Измервателният уред използва Chemkeys® и дигитални сонди IntelliCAL™ за измерване на различни параметри във

вода. Измервателният уред автоматично определя вида на поставения Chemkey или вида на сондата, която е свързана към измервателния уред.

Измервателният уред може да използва най-много четири Chemkeys и най-много две сонди за измерване. Вижте [Фигура 1](#).

Фигура 1 Общ преглед на продукта



1	Mini USB порт	5	Дисплей
2	Тапи на порта за конектор на сонда	6	Клавиатура
3	Портове за свързване на сонди	7	Слотове за Chemkey
4	Порт за достъп до захранване	8	Детектор на проба

3.3 Компоненти на продукта

Проверете дали всички компоненти са получени. Вижте приложената документация. Ако някои от компонентите липсват или са повредени, незабавно се свържете с производителя или с търговски представител.

Раздел 4 Инсталиране

▲ ПРЕДУПРЕЖДЕНИЕ



Множество опасности. Задачите, описани в този раздел на документа, трябва да се извършват само от квалифициран персонал.

4.1 Lithium battery safety

▲ ПРЕДУПРЕЖДЕНИЕ



Опасност от пожар и експлозия. Литиевите батерии може да се нагреят, експлодират или да се възпламенят и да причинят сериозни наранявания, ако се намират при неблагоприятни условия.

- Не използвайте батерията, ако видимо е повредена.
- Не използвайте батерията, ако е била изложена на силен удар или вибрация.
- Не излагайте батерията на въздействието на огън.
- Съхранявайте батерията при температури по-ниски от 60 °C (140 °F).
- Пазете батерията суха и далече от вода.

- Не позволявайте положителния и отрицателния терминал на батерията да контактуват помежду си.
- Не позволявайте неоторизирани лица да имат достъп до батерията.
- Изхвърляйте батерията в съответствие с местните, регионални и държавни разпоредби.
- Не използвайте или съхранявайте инструмента на пряка слънчева светлина, близо до източник на топлина или в среди с висока температура, като например затворено превозно средство, изложено на директна слънчева светлина.

4.2 Поставяне на батерията

▲ ПРЕДУПРЕЖДЕНИЕ



Опасност от пожар и експлозия. Това оборудване съдържа високоенергийна литиева батерия, която може да се възпламени и да причини пожар или експлозия, дори без захранване. С цел да се гарантира безопасността, осигурена от корпуса на инструмента, капаците на корпуса трябва да са поставени и закрепени чрез предоставените крепежни елементи.

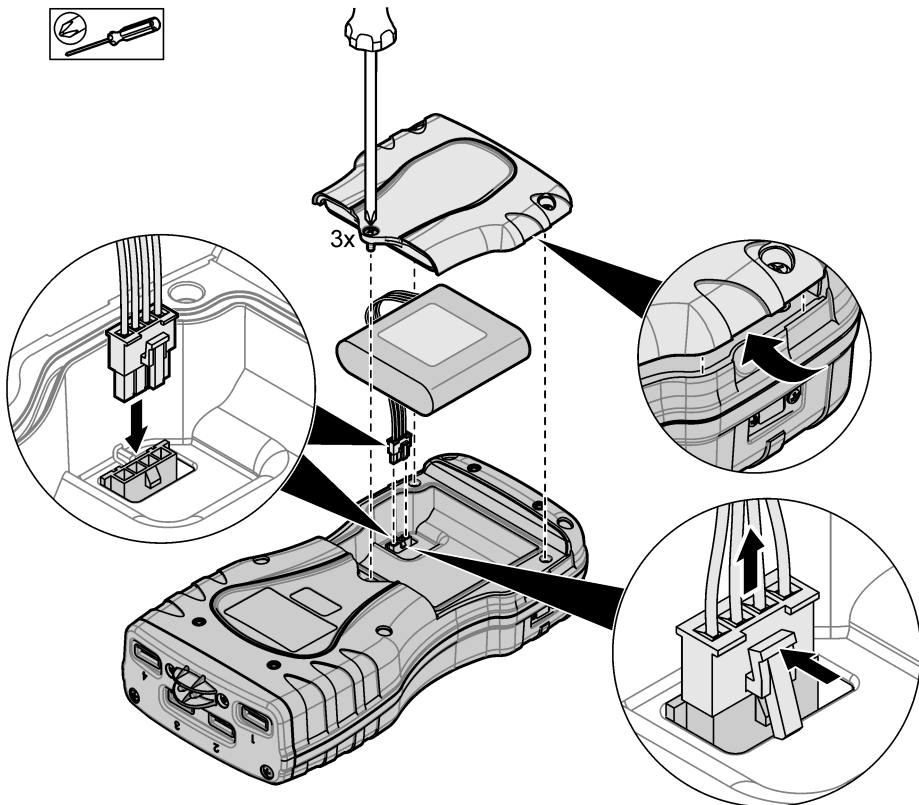
▲ ПРЕДУПРЕЖДЕНИЕ



Опасност от експлозия и пожар. Не се разрешава подмяна на батерията с друг тип батерия. Използвайте само батерии, които се предлагат от производителя на уреда.

Използвайте само предоставената от производителя литиево-йонна акумулаторна батерия. Направете справка с [Фигура 2](#) относно поставянето или отстраняването на батерията.

Фигура 2 Поставяне и отстраняване на батерия



4.3 Зареждане на батерията

▲ ПРЕДУПРЕЖДЕНИЕ



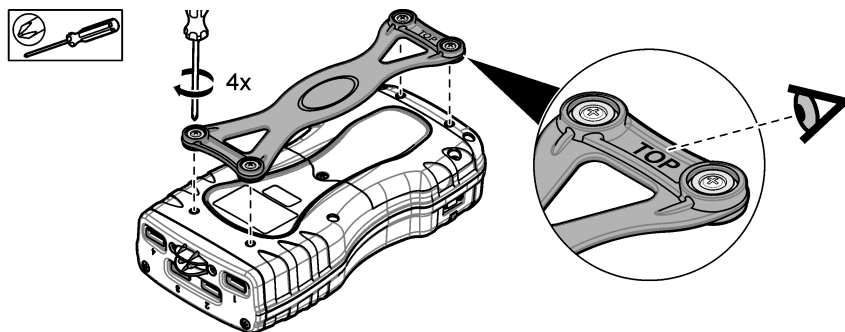
Опасност от пожар. Използвайте само това външно захранване, което е посочено за този инструмент.

1. Свържете външното захранване към контакт с променливо напрежение.
 2. Свържете външното захранване към порта за достъп до захранване на измервателния уред. Вижте [Общ преглед на продукта](#) на страница 252.
- С инструмента може да се работи, докато батерията му се зарежда.
 - Не се разрешава замяна на външното захранване. Използвайте само външно захранване, посочено в списъка с части и аксесоари на инструмента. Вижте [Резервни части и принадлежности](#) на страница 271.
 - Не зареждайте батерията повече от 24 часа.

4.4 Поставяне на каишката

Поставете каишката, за да държите безопасно измервателния уред. Направете справка с [Фигура 3](#).

Фигура 3 Поставяне на каишка

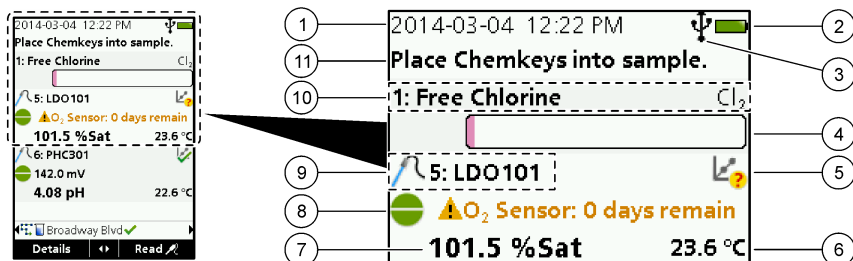


Раздел 5 Потребителски интерфейс и навигация

5.1 Описание на дисплея

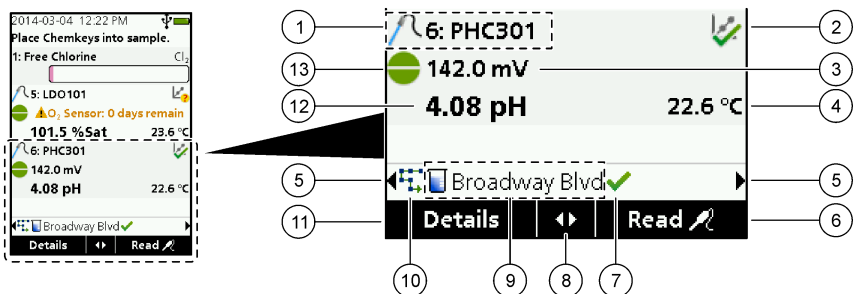
Вижте [Фигура 4](#) и [Фигура 5](#) относно описанието на екрана за измерване.

Фигура 4 Измервателен екран (горна част)



1 Дата и час	7 Стойност на първично измерване (параметър, избран от потребителя)
2 Състояние на батерията	8 Икона на стабилността с икона за предупреждение и предупредително съобщение
3 Икона за активна USB (COM порт) връзка, когато е избран комуникационен клас	9 Икона на сонда, номер на порт, параметър или име на сонда
4 Лента за напредъка (незавършено измерване)	10 Номер на слот, име на параметър и химически знак
5 Икона за статуса на калибриране (некоректно калибриране)	11 Много важно съобщение за устройствата (последвано от грешка и след това от предупредително съобщение)
6 Вторично измерване (параметър, избран от потребителя)	

Фигура 5 Измервателен екран (долна част)

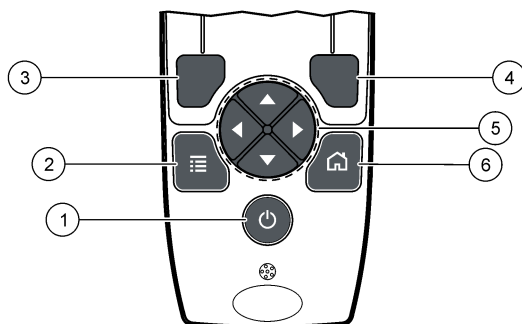


1 Икона на сонда, номер на порт, параметър или име на сонда	8 Активни клавиши със стрелки
2 Икона за статус на калибрирането (коректно калибриране)	9 Икона за ID на обекта и име на обекта
3 Стойност на вторично измерване (параметър, избран от потребителя)	10 Икона за маршрути (показва кога са включени маршрутите)
4 Стойност на третично измерване (параметър, избран от потребителя)	11 Опции (контекстни: Данни, изход, отказ, маркирай, отмаркирай)
5 Стрелки надясно и наляво за избор на приложимия ID на обекта	12 Стойност на първично измерване (избрана от потребителя)
6 Опции (контекстни: Отчитане, маркирай, ОК, изтриване)	13 Икона за стабилност
7 Отметка: Изпълнено измерване на обекта	

5.2 Описание на клавиатурата

Вижте [Фигура 6](#) за описание на клавиатурата и информация за навигирането.

Фигура 6 Описание на клавиатурата



1 Бутон "ЗАХРАНВАНЕ"	4 Клавиш за избор НАДЯСНО (контекстен): Отчитане на проби, изтриване, маркиране или потвърждаване на опции, отваряне на подменюта
2 Клавиш "ОСНОВНО МЕНЮ": Избор на проверка, калибриране, маршрути, настройки, регистър данни, информация, диагностика, ID на оператор и ID на обект	5 Клавиши за навигация НАГОРЕ, НАДОЛУ, НАЛЯВО, НАДЯСНО ¹ : Превъртане в менютата, въвеждане на числа и букви.
3 Клавиш за избор НАЛЯВО (контекстен): данни, маркиране/отмаркиране, откази или изходи от екрана на текущото меню към предходния	6 НАЧАЛО: преминаване към основния екран за измервания.

Раздел 6 Включване

6.1 Включване на захранването

Натиснете бутона за **ЗАХРАНВАНЕ**, за да включите или изключите инструмента. Ако измервателният уред не се включи, проверете дали батериите са поставени правилно.

6.2 Смяна на езика

Изберете езика на дисплея, когато измервателният уред се включи за пръв път. Смяна на езика от меню **Настройки**.

1. Натиснете **Настройки>Език**.
2. Изберете приложимия език.

6.3 Промяна на датата и часа

Има две опции за задаване на датата, часа и формата:

- Задаване на дата и час, когато измервателният уред се включи за пръв път.
- Задаване на дата и час от меню "Дата и час".

1. Изберете **Настройки>Изм. уред>Дата и час**.
2. Използвайте клавишите със стрелки, за да изберете формата за датата и часа, и след това въведете информацията за текущите час и дата. Текущите дата и час ще се изведат на дисплея и на регистрираните данни от измерванията.

¹ НАГОРЕ, НАДОЛУ: Превъртане в измерванията, когато има повече от четири измервания
НАДЯСНО, НАЛЯВО: Превъртане в ID на операторите и обектите.

Раздел 7 Стандартна операция

7.1 Използване на ID на оператор

Маркерът за ID на оператор свързва измерванията с конкретен оператор. Всички запазени данни включват този ID на оператор.

За лесно управление на ID на оператора използвайте мрежовото приложение "tool.htm". За повече информация вижте уеб сайта на производителя.

1. Натиснете **Основно меню>ID на оператор**.
2. Изберете опция.

Опция	Описание
Режим	Настройте функцията за ID на оператор на вкл. или изкл. (по подразбиране).
Избор	Изберете ID от списък. Текущият ID ще остане свързан с данните за пробите, докато не бъде избран различен ID. Използвайте стрелките за НАГОРЕ и НАДОЛУ, за да изберете ID на оператор от началния екран. Възможно е да изберете ID на оператор от екрана за измерване преди Chemkey да е в слота или да е свързана сонда.
Създаване	Въведете име за нов ID на оператор.
Изтриване	Изтриване на съществуващ ID на оператор.

7.2 Използване на ID на обект

Изберете ID маркер на обект, за да се свързват измерванията с определена проба или с местоположение. Запазените данни включват този ID, ако е зададен.

За лесно управление на ID на обектите използвайте мрежовото приложение "tool.htm". За повече информация вижте уеб сайта на производителя.

1. Натиснете **Основно меню>ID на обект**.
2. Изберете опция.

Опция	Описание
Режим	Настройте функцията ID на обект на ръчно, автоматично, изключено или маршрути. Ръчно – Избор на ID на обект ръчно. Автоматично – Пробите се номерират последователно за всяко измерване, докато не се избере друг ID. Изключено – Функцията за ID на обект е изключена (по подразбиране). Маршрути – Представя подредено множество на списък с изпълнените ID на обекти.
Избор	Изберете ID от списък. Текущият ID ще бъде свързан с данните за пробите, докато не бъде избран друг ID. Настройте ID на обект>Покажи на "Да". Използвайте стрелка за НАДЯСНО или НАЛЯВО, за да изберете текущия ID на обект на екрана за измерване. Уверете се, че ID на обект>Покажи е настроен на "Да" и поне един Chemkey е в слота или е свързана поне една сонда.
Създаване	Добавяне на нов ID на обект.
Изтриване	Изтриване на съществуващи ID на обекти. Забележка: Уверете се, че сте избрали режим Ръчно , за да изтриете ID на обект.
Покажи	Показва ID на обект на екрана за измерване. Настроено на вкл. или изкл.
Маршрути	Доставя списък с ID на обекти. Ако е избран маршрут, ID на обектите автоматично се появяват на екрана за измерване и се записват. Натиснете стрелката НАДЯСНО , за да изберете следващото местоположение. Използвайте мрежовото приложение "tool.htm", за да зададете маршрутите. За повече информация вижте уеб сайта на производителя.
Забележки	Запишете специалната информация и я добавете към регистър на събитията.

7.3 Изпълнение на измерванията на Chemkey

Забележка

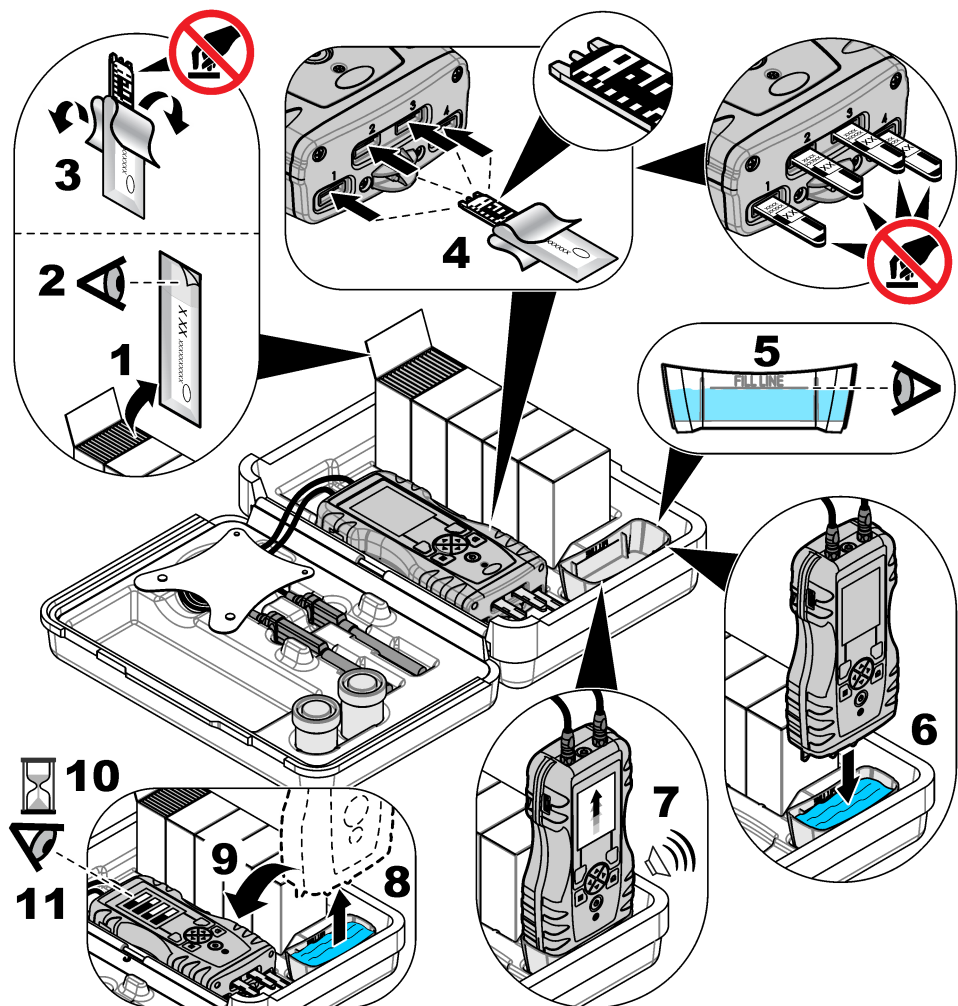
Не стартирайте ново измерване на Chemkey, когато останалите измервания на Chemkey все още не са завършили. Поставете измервателния уред в пробата само веднъж за измерване на Chemkey.

За да направите измерване с Chemkey, изпълнете следната процедура. Вижте [Фигура 7](#). Едновременно могат да се направят измервания с няколко сонди. Вижте [Извършване на измервания със сонда](#) на страница 262.

1. Включете захранването на измервателния уред.
2. Ако е необходима пълна проследяемост, преди измерването въведете ID на обекта и ID на оператора. Вижте [Използване на ID на оператор](#) на страница 259 и [Използване на ID на обект](#) на страница 259.
3. Бутнете приложимия Chemkey напълно, с едно движение, в слотовете от 1 до 4. Уверете се, че винаги за всяко измерване използвате нов Chemkey. Важно е да бутнете Chemkey изцяло в слота.
Когато Chemkey е в даден слот, не избутвайте и не докосвайте Chemkey.²
4. Изплакнете чашата за проба с пробата.
5. Напълнете чашата за проба на измервателния уред до линията за пълнене с пробата.
6. Поставете измервателния уред в чашата му за проба.
7. Изчакайте звуковия сигнал и/или анимацията за изваждане на измервателния уред (в рамките на 1 до 2 секунди), след което веднага извадете измервателния уред от чашата с проба.
Върнете измервателния уред в калъфа му и изчакайте измерването да приключи. Параметрите имат различно време на реакция. На дисплея е показана лента за оставащото време до приключване на измерването.
8. Стойностите от измерванията са показани на дисплея.
Забележка: Когато се появи грешка, натиснете **Данни** за повече информация.

² За да се измери свободния амоняк, са необходими Chemkey за монохлорамин и Chemkey за свободен амоняк.

Фигура 7 Измерване на проба с Chemkey



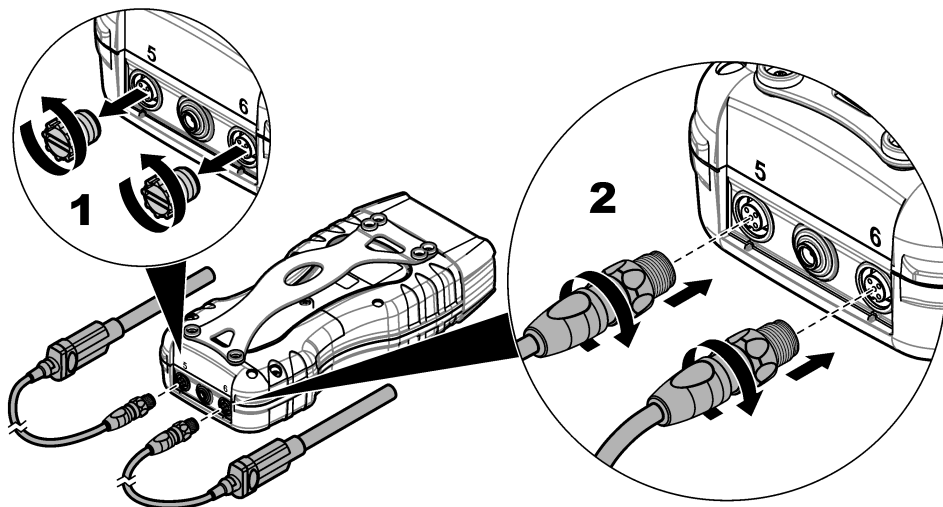
7.4 Свързване на сонда

Забележка

Не изхвърляйте тапите на портовете за конектора на сондите. Уверете се, че тапите на портовете за конектора на сондата се поставени, когато няма свързана сонда.

Уверете се, че дисплеят показва текущото време и дата и след това включете сондата в измервателния уред. Вижте [Фигура 8](#).

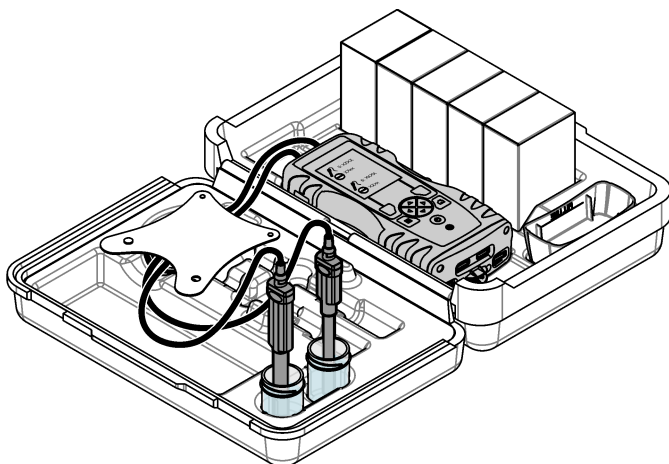
Забележка: Клеймото за дата за сондата се задава при първото ѝ свързване към измервателното устройство. Това клеймо позволява записването на история на сондата, както и записване на часа, в който е извършено измерването.



7.5 Извършване на измервания със сонда

Изпълнете следната процедура, за да направите измерване със сонда(и). Вижте [Фигура 9](#). Няколко измервания с Chemkey могат да се изпълнят едновременно. Вижте [Изпълнение на измерванията на Chemkey](#) на страница 260.

1. Калибрирайте сондите преди първоначална употреба. Вижте [Калибриране на сондата](#) на страница 263.
Забележка: За най-висока точност калибрирайте сондите ежедневно.
2. Преди да поставите сондата, задайте дата и час на измервателния уред. Вижте [Промяна на датата и часа](#) на страница 258.
Сондата трябва да има правилната лепенка с неизтекъл срок на годност.
3. Ако е необходима пълна проследяемост, преди измерването въведете ID на обекта и ID на оператора. Вижте [Използване на ID на оператор](#) на страница 259 и [Използване на ID на обект](#) на страница 259.
4. Махнете тапите на портовете за конектора на сондата и поставете сондата (сондите).
Относно свързването на сондата вижте [Фигура 8](#) на страница 262.
Забележка: Не изхвърляйте тапите на портовете за конектора на сондите. Отново поставете тапите на портовете за конектора на сондите, когато няма свързана сонда.
5. Изплакнете колбите за проба с проба.
6. Напълнете колбата с проба, така че сензорът да се потопи напълно в пробата.
7. Поставете сондата (сондите) в колбите с проба и натиснете **Отчети**, ако режимът на измерване е настроен на **Натиснете за отчетане**. Вижте документацията за сондата за допълнителна информация.
8. Стойностите от измерванията са показани на дисплея.




Раздел 8 Калибриране

⚠ ВНИМАНИЕ



Опасност от химическа експозиция. Спазвайте лабораторните процедури за безопасност и носете пълното необходимо лично предпазно оборудване при боравене със съответните химически вещества. За информация относно протоколите по безопасност направете справка с информационните листове за безопасност на материала (MSDS/SDS).

8.1 Калибриране на сондата

Всяка сонда използва различен тип разтвор за калибриране. Калибрирайте сондите често, за да поддържате възможно най-високото ниво на точност. Измервателният уред ще показва статуса на калибрирането. Ако калибрирането не е правилно, се показва иконата за калибриране с въпросителен знак  и остава, докато сондата не се калибрира правилно. Когато калибрирането е правилно, се появява иконата за калибриране със зелена отметка. За поетапни указания вижте документите, включени към всяка сонда. За повече информация вижте уеб сайта на производителя.

1. Свързване на сонда.
2. Натиснете **Основно меню>Калибриране** за начало на калибрирането.
3. Изберете приложимата сонда, ако към инструмента са свързани повече от една.
Забележка: Ако е свързана само една сонда, тази стъпка няма да се покаже.
4. Изпълнете инструкциите, показани на дисплея, за да калибрирате сондата.
Забележка: За ISE сонда натиснете стрелката НАДЯСНО, за да отидете към следващия стандарт за калибриране, ако е необходимо. Измерете стандартите от ниска до висока концентрация.
5. Ако е необходимо, направете проверка. Вижте [Проверка на сонда](#) на страница 264.

8.2 Фабрично калибриране

Производителят препоръчва ежегодно да се извършва пълно фабрично калибриране, за да се гарантира, че системата работи по предназначение. Моля свържете се със сервизния център на Nash, обслужващ вашата зона.

8.3 Калибрирайте измервателния уред за определен параметър на Chemkey

Всеки Chemkey използва различни настройки за калибриране. За повече информация вижте уеб сайта на производителя.

1. Бутнете приложимия Chemkey бавно, с едно движение, в слотовете от 1 до 4.
2. Натиснете **Основно меню>Калибриране** за начало на калибрирането.
3. Изберете приложимия Chemkey.
4. Въведете приложимата стандартна стойност за настройка.
5. Изпълнете инструкциите, показани на дисплея, за да калибрирате Chemkey.
6. Ако е необходимо, направете проверка. Вижте [Проверка на Chemkey](#) на страница 264.

8.4 Проверка на сонда

1. Натиснете **Основно меню>Проверка** за начало на проверката.
2. Изберете приложимото устройство.
3. Изпълнете показаните на дисплея инструкции, за да направите проверката.
*Забележка: За да промените използвания за проверка стандарт, натиснете **Основно меню>Настройки>Сонда>Избор на сонда>Опции за проверка>Стандарт**.*

8.5 Проверка на Chemkey

Има две опции за изпълнение на проверка на Chemkey. За проверката използвайте Chemkey за специални параметри или Chemkey за проверка на системата. Вижте [Резервни части и принадлежности](#) на страница 271.

• Chemkey за специален параметър:

1. Бутнете Chemkey за специален параметър бавно, с едно движение, в слотовете от 1 до 4.
2. След това натиснете **Основно меню>Проверка** за начало на проверката.
3. Изпълнете процеса, като следвате менюто.

• Chemkey за проверка на системата:

1. Натиснете **Основно меню>Проверка** за начало на проверката.
2. След това бутнете Chemkey за проверка на системата бавно, с едно движение, в първия слот.
3. Изпълнете процеса, като следвате менюто.

Раздел 9 Регистър данни

Регистърът на данни показва всички съхранени измервания.

1. Натиснете **Основно меню>Регистър данни**.
2. Изберете опция.

Опция	Описание
Всички регистри по дата	Показва резултати от измерванията на пробите: име на сондата, сериен номер на сондата, стойност, мерна единица, температура, време, дата, забележки, ID на оператора, ID на обекта и подробности за калибрирането. Последното измерване се показва на дисплея. Натиснете стрелката НАЛЯВО, за да прегледате предишните измервания.
Текущо кал. в сонда	Показва данни за най-последното калибриране. Ако сондата не е била калибрирана от потребителя, ще се покажат данни за фабричното калибриране.

Опция	Описание
Кал. ист. в сондата	Показва списък на случаите, в които сондата е калибрирана. Изберете дата и час и прегледайте обобщените данни за калибрирането.
Изтрив. рег.: данни	Изтрива всички данни на измервателния уред едновременно. Данните на устройството ще се запазят.

9.1 Импортиране на данни в Excel

▲ ПРЕДУПРЕЖДЕНИЕ



Опасност от токов удар. Външно свързаното оборудване трябва да имат оценка по приложимите за страната стандарти за безопасност.

Измервателният уред съхранява регистъра данни в XML формат. В електронна таблица на Excel може да се съхраняват ID на обекта, последователност, дата и час, параметър, измерена стойност, мерни единици, ID на оператора, слот №, партиден номер на Chemkey и серийния номер на измервателния уред.

1. Включете захранването на измервателния уред.
2. Свържете измервателния уред към компютъра с помощта на USB кебела. Измервателният уред се показва като устройство на компютъра "Hach Portable Parallel Analysis" ("Анализ с преносим паралелен анализатор на Hach").
3. Отворете папката "DataTemplate" от това устройство.
4. Отворете файла "LogTemplate.xltx".
5. Щракнете с десен бутон върху клетката "A2" и изберете XML>Import (Импортиране).
6. Маркирайте всички файлове от папка "Data" ("Данни") на устройството "Hach Portable Parallel Analysis" ("Анализ с преносим паралелен анализатор на Hach").
7. Щракнете върху **Import (Импортиране)**. Регистърът за данни се показва в електронна таблица на Excel.
8. Съхранете файла на компютъра или на USB устройство, ако е необходимо.
9. Изключете измервателния уред от компютъра по безопасен начин. Щракнете върху иконата със зелена стрелка "Safely Remove Hardware and Eject Media" ("Безопасно премахване на хардуер и изваждане на носителя") в лентата за задачите.
Забележка: Някои икони може да се намерят в раздел "Show hidden icons" ("Покажи скритите икони") в лентата за задачите.
10. Извадете USB кабела от измервателния уред.

9.2 Преглед на данни в уеб браузър

За да прегледате регистъра с данни в уеб браузър, изпълнете следните стъпки. ID на обект, последователност, дата и час, параметър, измерена стойност, мерни единици, ID на оператор, слот №, партиден номер на Chemkey и сериен номер на измервателния уред се показват с избрания уеб браузър.

1. Включете захранването на измервателния уред.
2. Свържете измервателния уред към компютъра с помощта на USB кебела. Измервателният уред се показва като устройство на компютъра "Hach Portable Parallel Analysis" ("Анализ с преносим паралелен анализатор на Hach").
3. Отворете папка "Data" ("Данни") на устройството.
4. Отворете файла на регистър данни.
 - Отворете "LogNN.XML" (NN = цифри от 0 до 9) в който и да е браузър.
 - От уеб браузъра щракнете върху **File (Файл)>Open menu (Отваряне на меню)** и се придвижете до папката "Данни".

5. Съхранете файла на компютъра или на USB устройство, ако е необходимо.
6. Изключете измервателния уред от компютъра по безопасен начин. Щракнете върху иконата със зелена стрелка "Safely Remove Hardware and Eject Media" ("Безопасно премахване на хардуер и изваждане на носителя") в лентата за задачите.
Забележка: Някои икони може да се намерят в раздел "Show hidden icons" ("Покажи скритите икони") в лентата за задачите.
7. Извадете USB кабела от измервателния уред.

Раздел 10 Поддръжка

▲ ПРЕДУПРЕЖДЕНИЕ



Множество опасности. Задачите, описани в този раздел на документа, трябва да се извършват само от квалифициран персонал.

▲ ВНИМАНИЕ



Опасност от химическа експозиция. Спазвайте лабораторните процедури за безопасност и носете пълното необходимо лично предпазно оборудване при боравене със съответните химически вещества. За информация относно протоколите по безопасност направете справка с информационните листове за безопасност на материала (MSDS/SDS).

▲ ВНИМАНИЕ



Опасност от химическа експозиция. Изхвърляйте химическите и отпадъчни вещества в съответствие с местните, регионални и национални разпоредби.

10.1 Почистване на разливи

▲ ВНИМАНИЕ



Опасност от химическа експозиция. Изхвърляйте химическите и отпадъчни вещества в съответствие с местните, регионални и национални разпоредби.

1. Трябва да се спазват всички протоколи за безопасност на обекта за контрол на разливи.
2. Отпадъците трябва да се изхвърлят в съответствие с приложимите разпоредби.

10.2 Почистване на уреда

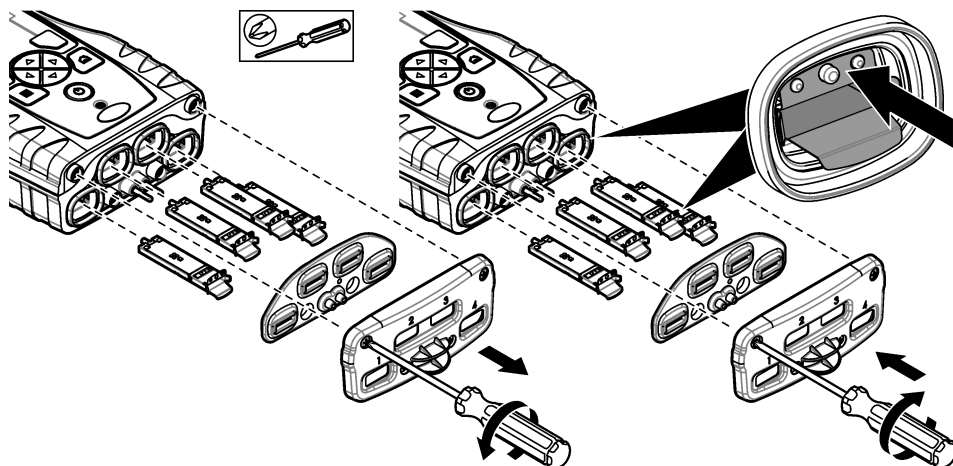
Почистете външните повърхности на инструмента с влажна кърпа и слаб сапунен разтвор и след това изтрийте инструмента, за да се подсуши, ако е необходимо.

10.3 Почистване или замяна на части

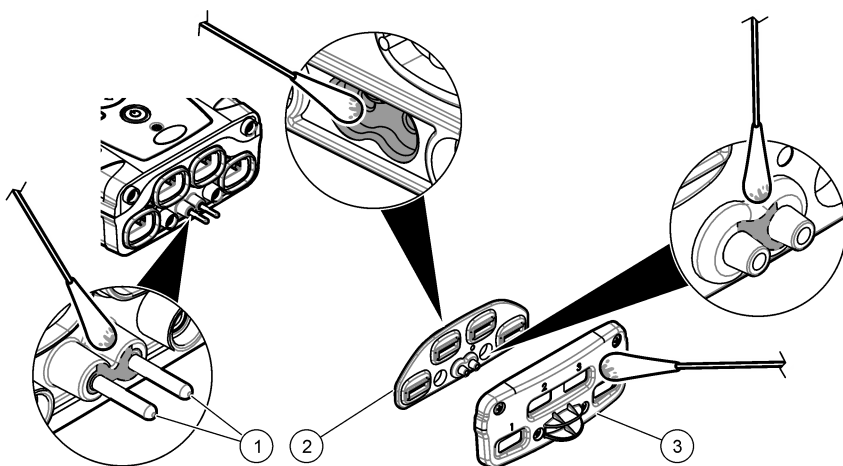
При някои грешки и предупреждения задължително трябва да се почистят слотовете за Chemkey, оптичните стъкла, прозорчето на баркода, детектора на пробата или да се сменят тавите. За почистване на частите използвайте изопропилов алкохол. За почистване на светлинния щит използвайте вода и мек почистващ препарат. Уверете се, че движите апликатора с памучен връх само в една посока. Вижте [Фигура 10](#) относно отстраняването на капака за достъп до оптиката, светлинния щит и тавите. Вижте [Фигура 11](#) и [Фигура 12](#) относно подробната процедура за почистване.

Компоненти за събиране: Апликатор с памучен връх, изопропилов алкохол, вода и мек почистващ препарат

Фигура 10 Отстраняване и повторно поставяне на частите

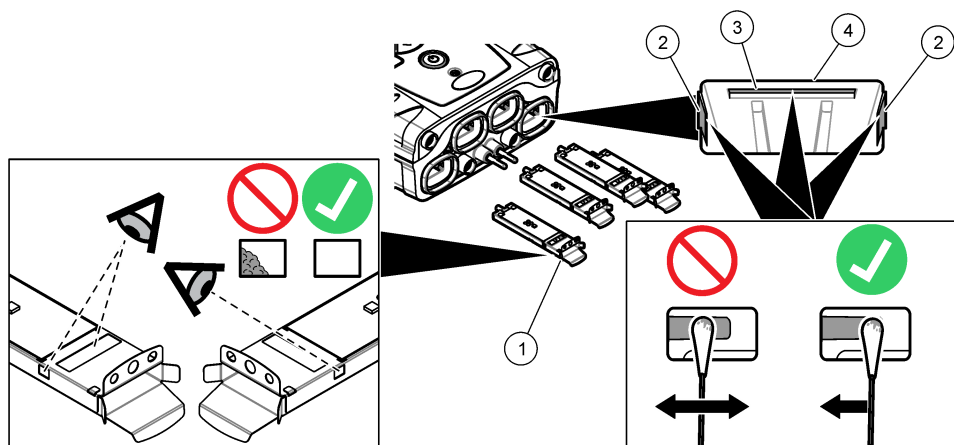


Фигура 11 Почистване на детектора на проба, светлинния щит и капака за достъп



1 Детектор на проба	3 Капак за достъп до оптиката
2 Светлинен щит	

Фигура 12 Почистване на тавите и слотовете за Chemkey



1 Вана	3 Прозорче за баркода
2 Оптично прозорче	4 Слот за Chemkey

10.4 Зареждане или смяна на батерията

Заредете батериите, когато нивото на заряд на батерията е ниско. Когато батерията не задържа заряд, я заменете. Използвайте само посочената батерия, доставена от производителя. Вижте [Поставяне на батерията](#) на страница 254 и [Резервни части и принадлежности](#) на страница 271.

10.5 Подготовка за транспортиране

Забележка

Опасност от повреда на инструмента. Източете всичката вода от уреда преди транспортирането му, за да се предотврати повреда вследствие на минусови температури.

Свържете се с техническата поддръжка за инструкции преди транспортирането до производителя.

- Почистете и дезинфектирайте инструмента преди експедиране.
- Транспортирайте инструмента с поставена батерия в измервателния уред, но се уверете, че батерията не е свързана към съединителя.
- Преди транспортирането откачете сондите и махнете Chemkey.
- Транспортирайте инструмента в оригиналната му опаковка или в алтернативна безопасна опаковка.

Раздел 11 Откриване и отстраняване на неизправности

Грешка/предупреждение	Възможна причина	Решение
Грешка в чет. на барк. Поставете отново Chemkey	Chemkey не работи правилно. Chemkey не е поставен правилно.	<ul style="list-style-type: none"> • Поставете отново Chemkey в слота. • Използвайте нов Chemkey. • Почистете прозорчето на баркода. Вижте Фигура 12 на страница 268. • Ако все още има проблем, свържете се с отдела по техническа поддръжка.
Грешка от аспир. на проба. Chemkey тече. Опитайте с друг	Chemkey не работи правилно. Chemkey не е избутан докрай в слота.	Използвайте нов Chemkey и се уверете, че е избутан докрай в слота. Ако все още има проблем, свържете се с отдела по техническа поддръжка.
Остарял Chemkey	Срокът на годност на Chemkey е изтекъл.	
Грешка в измерване (1 – 4)	Грешка от измерване в определения слот.	
Параметърът не се поддържа	Параметърът не е наличен на инсталирания софтуер на инструмента.	Надстройте софтуера на инструмента. Потърсете „SL1000“ на www.hach.com . Отидете на раздел Downloads>Software/Firmware (Изтегляния > Софтуер/фърмуер) и следвайте инструкциите на уебсайта.
Изп. Chemkey – Смяна	Chemkey вече е бил използван или в слота има вода.	Използвайте нов Chemkey. Ако проблемът все още се появява, подсушете слота и инструмента и опитайте отново. Ако все още има проблем, свържете се с отдела по техническа поддръжка.
Ваната тече. Сменете ваната.	Има проблем с измерената вана.	Сменете ваната. Вижте Фигура 10 на страница 267. Ако все още има проблем, свържете се с отдела по техническа поддръжка.
Грешка от нагревател Сменете ваната	Ваната не функционира правилно.	
Извадете от пробата.	Измервателният уред е бил поставен в пробата, преди да е готов за това.	Изчакайте измервателният уред да стане готов за поставяне в пробата.
Твърде рано отстр. проба		Поставете друг Chemkey в слота. Изчакайте измервателният уред да стане готов за поставяне в пробата.
Твърде дълго в пробата	Chemkey са оставени в пробата твърде дълго. Поява на грешка от измерване.	При подкана веднага извадете Chemkey.
	Изводът на детектора за проба е замърсен, ако предупреждението се появява, когато измервателният уред не е в пробата.	Почистете областта на извода на детектора за проба. Вижте Почистване или замяна на части на страница 266. Ако все още има проблем, свържете се с отдела по техническа поддръжка.
Над обхвата	Концентрацията е по-висока от горната гранична стойност за текущия метод.	Разредете пробата и повторете измерването.

Грешка/предупреждение	Възможна причина	Решение
Под обхвата	Концентрацията е по-ниска от долната гранична стойност за текущия метод.	—
Твърде студена вана.	Измервателният уред може да е твърде студен, за да загрее ваната, или нагревателят не работи.	Преместете измервателния уред на място с по-висока температура и измерете отново. Сменете ваната.
Твърде гореща вана.	Измервателният уред е твърде горещ, за да направи коректно измерване.	Уверете се, че измервателният уред ще се охлади, или преместете измервателния уред извън топлатата околна среда.
Твърде много светлина. Пост. Chemkey на по-тъмна среда	Околната светлина е твърде силна, за да се прочете баркодът.	Преместете измервателния уред на по-тъмно място и отново поставете Chemkey в слота.
Слаба светлина. Почистете слота на Chemkey.	Chemkey не работи правилно. Chemkey не е поставен правилно.	<ul style="list-style-type: none"> • Поставете Chemkey в слота с едно натискане. • Използвайте нов Chemkey. • Почистете слота на Chemkey. Вижте Фигура 12 на страница 268. • Ако все още има проблем, свържете се с отдела по техническа поддръжка.
Инструментът се нуждае от сервизно обслужване.	Неизправен модул.	Използвайте модули, които работят правилно. Свържете се с отдела по техническа поддръжка, за да ремонтира дефектирания модул.
Не е намерена проба.	<ul style="list-style-type: none"> • Чашата за проба не е напълнена до линията за пълнене. • Проводимостта на пробата е по-малка от 2 $\mu\text{S/cm}$. 	<ul style="list-style-type: none"> • Уверете се, че чашата с проба е напълнена до линията за пълнене. • Уверете се, че проводимостта на пробата е по-голяма от 2 $\mu\text{S/cm}$. • Почистете детектора за проба. Вижте Фигура 11 на страница 267. • Ако все още има проблем, свържете се с отдела по техническа поддръжка.

11.1 Извършване на диагностична проверка

Менюто за диагностика показва информация за текущата версия на измервателния уред и опцията за форматиране картата с памет.

1. Натиснете **Основно меню>Диагностика**.
2. Изберете опция.

Опция	Описание
Дисково пространство	Показва дисковото пространство за потребителска памет и за вътрешната памет.
Версии на конфиг.	Показва версиите на конфигурацията на настройките на измервателния уред.

Опция	Описание
Версии на метода	Показва версиите на метода на измервателния уред.
Формат на паметта	Изтрива всички данни в измервателния уред. Забележка: Всички данни в измервателния уред (напр. конфигурация на измервателния уред, ID на обекта, ID на оператора, маршрути, забележки, шаблони и др.) ще се загубят, след като се изпълни Формат на паметта .

Раздел 12 Резервни части и принадлежности

▲ ПРЕДУПРЕЖДЕНИЕ



Опасност от нараняване. Използването на части, които не са одобрени за употреба, може да причини нараняване, повреда на инструмента или неизправност на оборудването. Резервните части, упоменати в този раздел, са одобрени от производителя.

Забележка: Продуктовите и каталожните номера може да се различават в някои региони на продажба. Свържете се със съответния дистрибутор или посетете уебсайта на компанията за информация за контакт.

Направете справка с „Резервни части и принадлежности“ в разширената версия на ръководството.

Tartalomjegyzék

- | | |
|---|---|
| 1 Online felhasználói kézikönyv oldalon 272 | 7 Normál üzemeltetés oldalon 280 |
| 2 Műszaki jellemzők oldalon 272 | 8 Kalibrálás oldalon 284 |
| 3 Általános tudnivaló oldalon 273 | 9 Adatnapló oldalon 285 |
| 4 Telepítés oldalon 275 | 10 Karbantartás oldalon 287 |
| 5 Kezelőfelület és navigálás oldalon 277 | 11 Hibaelhárítás oldalon 290 |
| 6 Beindítás oldalon 279 | 12 Cserealkatrészek és tartozékok oldalon 291 |

Szakasz 1 Online felhasználói kézikönyv

Ez az alapvető felhasználói útmutató kevesebb információt tartalmaz, mint a gyártó honlapján található felhasználói kézikönyv.

Szakasz 2 Műszaki jellemzők

A műszaki jellemzők előzetes bejelentés nélkül változhatnak.

Műszaki adatok	Részletek
Méret (Sz x Mé x Ma)	13,08×5,89×25,83 cm (5,15×2,32×10,17 hüvelyk)
Burkolat védelmi osztálya	IP64 a szonda csatlakozóportjaira felhelyezett sapkákkal vagy a műszerhez csatlakoztatott szondákkal
Tömeg	1,2 kg (2,7 font)
Tápellátási igény (belső)	Lítium-ion újratölthető akkumulátor, 7.4V, 5.0Ah (5000mAh)
Tápellátási igény (külső)	100–240 V AC, 50/60 Hz bemenet, 12 V, 3 A kimenet
Üzemi hőmérséklet (kisütés)	5–50 °C (41–122 °F), legfeljebb 85% relatív páratartalom (lecsapódás nélkül)
Töltési hőmérséklet	5–45 °C (41–113 °F), legfeljebb 85% relatív páratartalom (lecsapódás nélkül)
Tárolási hőmérséklet	–20 és 60 °C (–4 és 140 °F) között, legfeljebb 85% relatív páratartalom (lecsapódás nélkül)
Interfész	Mini USB-port
5 tűs bemeneti csatlakozó	Két M12 csatlakozó IntelliCal szondákhoz
Külső tápegység csatlakozása	2,5 mm-es jack
Chemkey nyílások	4
Adatmemória	1000 mért érték (eredmény, dátum, időpont, üzem azonosítója, felhasználó azonosítója)
Adattárolás	Automatikus a „Leolvasáshoz nyomja meg” mérési üzemmódban. Kézi a Folyamatos mérési üzemmódban
Hőmérséklet-korrekció (IntelliCal™ szondákhoz)	Kikapcsolva, automatikus és manuális (paraméterfüggő)
Mérési kijelző zárolása (IntelliCal™ szondákhoz)	Leolvasáshoz nyomja meg és Folyamatos mérési üzemmód
Védelmi osztály	III
Tanúsítványok	CE, UKCA, FCC, ISED, RCM, KC
Jótállás	1 év

Szakasz 3 Általános tudnivaló

A gyártó semmilyen esetben sem vállal felelősséget a termék nem megfelelő használatából vagy a kézikönyv utasításainak be nem tartásából eredő károkért. A gyártó fenntartja a kézikönyv és az abban leírt termékek megváltoztatásának jogát minden értesítés vagy kötelezettség nélkül. Az átdolgozott kiadások a gyártó webhelyén található.

3.1 Biztonsági tudnivalók

A gyártó nem vállal felelősséget a termék nem rendeltetésszerű alkalmazásából vagy használatából eredő semmilyen kárért, beleértve de nem kizárólag a közvetlen, véletlen vagy közvetett károkat, és az érvényes jogszabályok alapján teljes mértékben elhárítja az ilyen kárigényeket. Kizárólag a felhasználó felelőssége, hogy felismerje a komoly alkalmazási kockázatokat, és megfelelő mechanizmusokkal védje a folyamatokat a berendezés lehetséges meghibásodása esetén.

Kérjük, olvassa végig ezt a kézikönyvet a készülék kicsomagolása, beállítása vagy működtetése előtt. Szenteljen figyelmet az összes veszélyjelző és óvatosságra intő mondatra. Ennek elmulasztása a kezelő súlyos sérüléséhez vagy a berendezés megrongálódásához vezethet.



A berendezés nyújtotta védelmi funkciók működését nem szabad befolyásolni. Csak az útmutatóban előírt módon használja és telepítse a berendezést.

3.1.1 A veszélyekkel kapcsolatos tudnivalók alkalmazása

▲ VESZÉLY
Lehetséges vagy közvetlenül veszélyes helyzetet jelez, amely halálhoz vagy súlyos sérüléshez vezet.
▲ FIGYELMEZTETÉS
Lehetséges vagy közvetlenül veszélyes helyzetet jelez, amely halálhoz vagy súlyos sérüléshez vezethet.
▲ VIGYÁZAT
Lehetséges veszélyes helyzetet jelez, amely enyhe vagy kevésbé súlyos sérüléshez vezethet.
MEGJEGYZÉS
A készülék esetleges károsodását okozó helyzet lehetőségét jelzi. Különleges figyelmet igénylő tudnivaló.

3.1.2 Figyelmeztető címkék

Olvassa el a műszerhez csatolt valamennyi címkét és függő címkét. Ha nem tartja be, ami rajtuk olvasható, személyi sérülés vagy műszer rongálódás következhet be. A műszeren látható szimbólum jelentését a kézikönyv egy óvintézkedési mondatnál adja meg.

	Ha a készüléken ez a szimbólum látható, az a használati útmutató kezelési és/vagy biztonsági tudnivalóira utal.
	Az ezzel a szimbólummal jelölt elektromos készülékek Európában nem helyezhetők háztartási vagy lakossági hulladékfeldolgozó rendszerekbe. A gyártó köteles ingyenesen átvenni a felhasználttól a régi vagy elhasznált elektromos készülékeket.

3.1.3 Tanúsítvány

EN 55011/CISPR 11 értesítési figyelmeztetés

Ez a termék „A” osztályú. Háztartási környezetben a termék rádiófrekvenciás zavart okozhat, és ebben az esetben a felhasználónak megfelelő intézkedéseket kell tennie.

A rádió interferenciát okozó eszközök kanadai szabályozása, ICES-003 A osztály:

A vizsgálati eredmények bizonyítása a gyártónál található.

Ez az A osztályú berendezés megfelel A rádió interferenciát okozó eszközök kanadai szabályozásának.

Cet appareil numérique de classe A répond à toutes les exigences de la réglementation canadienne sur les équipements provoquant des interférences.

FCC 15 szakasz, az "A" osztályra vonatkozó határokkal

A vizsgálati eredmények bizonyítása a gyártónál található. Az eszköz megfelel az FCC szabályok 15. szakaszában foglaltaknak. A működés a következő feltételek függvénye:

1. A berendezés nem okozhat káros interferenciát.
2. A berendezésnek minden felvett interferenciát el kell fogadnia, beleértve azokat az interferenciákat is, amelyek nem kívánatos működéshez vezethetnek.

A berendezésben véghezvitt, és a megfelelőségbiztosításra kijelölt fél által kifejezetten el nem fogadott változtatások vagy módosítások a berendezés működtetési jogának megvonását vonhatják maguk után. Ezt a berendezést bevizsgálták, és azt az FCC szabályok 15. szakaszának megfelelően, az A osztályú készülékekre érvényes határértékek szerintinek minősítették. E határértékek kialakításának célja a tervezés során a megfelelő védelem biztosítása a káros interferenciák ellen a berendezés kereskedelmi környezetben történő használata esetén. A berendezés rádió frekvencia energiát gerjeszt, használ és sugároz, és amennyiben nem a használati kézikönyvnek megfelelően telepítik vagy használják, káros interferenciát okozhat a rádiós kommunikációban. A berendezésnek lakott területen való működtetése valószínűleg káros interferenciát okoz, amely következtében a felhasználót saját költségére az interferencia korrekciójára kötelezik. A következő megoldások használhatók az interferencia problémák csökkentésére:

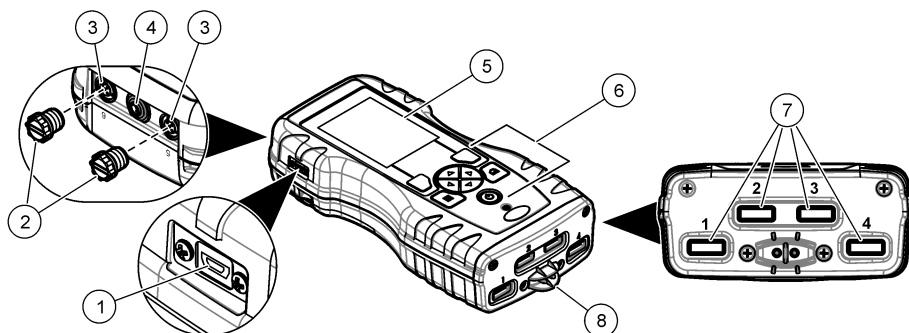
1. Kapcsolja le a berendezést az áramforrásról annak megállapításához, hogy az eszköz az interferencia forrása.
2. Amennyiben a berendezés ugyanarra a csatlakozó aljzatra van téve, mint az interferenciát észlelő készülék, csatlakoztassa a készüléket egy másik csatlakozó aljzatra.
3. Vigye távolabb a készüléket az interferenciát észlelő készüléktől.
4. Állítsa más helyzetbe annak a készüléknek az antennáját, amelyet zavar.
5. Próbálja ki a fenti intézkedések több kombinációját.

3.2 A termék áttekintése

Az SL1000 hordozható, párhuzamos elemző legfeljebb hat paraméter egyidejű mérésére képes ivóvízben vagy más tiszta vizes alkalmazásokban. A műszer Chemkey® eszközöket és digitális IntelliCAL™ szondákat használ a víz különböző paramétereinek méréshez. A műszer automatikusan azonosítja a behelyezett Chemkey típusát, illetve a műszerhez csatlakoztatott szondát.

A műszer legfeljebb négy Chemkey eszközt és legfeljebb két szondát képes használni a mérésekhez. Lásd: [1. ábra](#).

1. ábra A termék áttekintése



1 Mini USB-port	5 Kijelző
2 Szonda csatlakozóportjának sapkája	6 Billentyűzet
3 Szonda csatlakozóportja	7 Chemkey nyílások
4 Tápcsatlakozó	8 Mintaérzékelő

3.3 A termék részegységei

Győződjön meg arról, hogy minden részegységet megkapott. Lásd a mellékelt dokumentációt. Ha valamelyik tétel hiányzik vagy sérült, forduljon azonnal a gyártóhoz vagy a forgalmazóhoz.

Szakasz 4 Telepítés

▲ FIGYELMEZTETÉS



Többszörös veszély. A dokumentumnak ebben a fejezetében ismertetett feladatokat csak képzett szakemberek végezhetik el.

4.1 Lithium battery safety

▲ FIGYELMEZTETÉS



Tűz- és robbanásveszély. A lítium akkumulátorok felmelegedhetnek, felrobbanhatnak vagy meggyulladhatnak, és súlyos sérülést okozhatnak nem megfelelő körülmények esetén.

- Ne használja az akkumulátort látható sérülés esetén.
- Ne használja az akkumulátort erős lökés vagy rázkódás után.
- Ne tegye ki az akkumulátort tűzveszélynek.
- Tartsa az akkumulátort 60 °C (140 °F) alatti hőmérsékleten.
- Tartsa az akkumulátort száraz, víztől távol eső helyen.
- Kerülje a pozitív és negatív akkumulátorterminálok érintkezését.
- Ne engedje, hogy illetéktelen személyek érnének az akkumulátorhoz.
- Az akkumulátor megsemmisítését a helyi, regionális és nemzeti előírásokkal összhangban végezze.
- Ne tárolja a berendezést közvetlen napfénynek kitéve, hőforrás közelében vagy magas hőmérsékletű környezetekben, például közvetlen napfénynek kitett gépkocsiban.

4.2 Az akkumulátor behelyezése

▲ FIGYELMEZTETÉS



Tűz- és robbanásveszély. A jelen készülék nagy energiájú lítium akkumulátort tartalmaz, amely meggyulladhat és tüzet vagy robbanást okozhat, még árammentes állapotban is. A műszerdoboz által nyújtott biztonság fenntartásához a műszerdoboz fedelét a mellékelt kötőelemekkel kell felszerelni és rögzíteni.

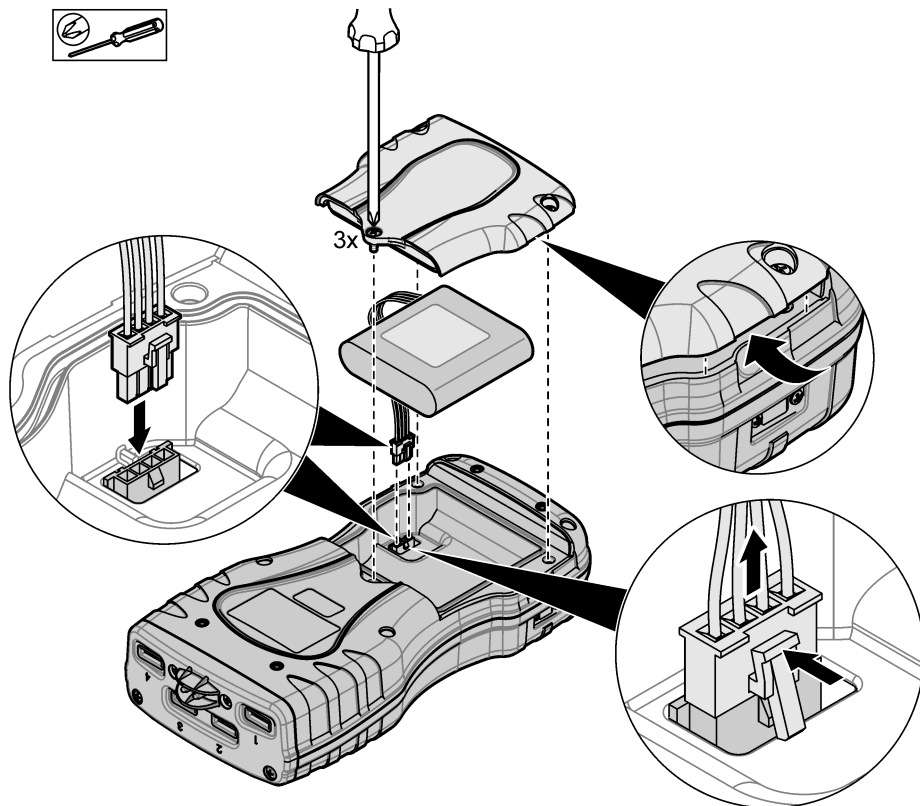
▲ FIGYELMEZTETÉS



Robbanás- és tűzveszély. Más akkumulátort nem szabad használni. Csak a készülék gyártójától kapott akkumulátorokat használja.

Kizárólag a gyártó által szállított lítium-ion akkumulátort használja. Az akkumulátor behelyezéséről és kivételéről lásd: [2. ábra](#).

2. ábra Akkumulátor behelyezése és kivétele



4.3 Az akkumulátor feltöltése

▲ FIGYELMEZTETÉS



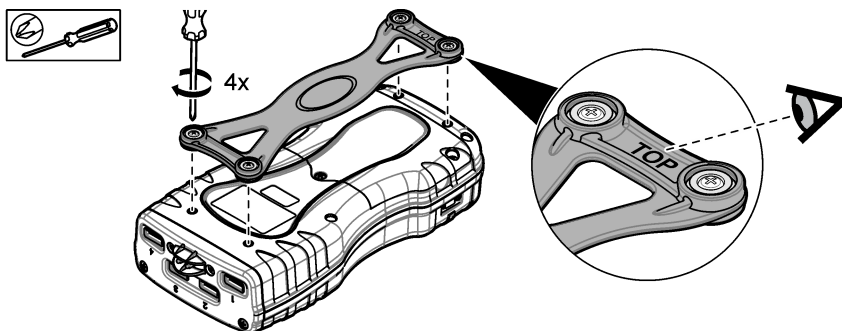
Tűzveszély. Csak a jelen műszerhez előírt külső tápegységet használja.

1. Csatlakoztassa a külső tápegységet hálózati dugaszolóaljzathoz.
2. Csatlakoztassa a külső tápegységet a műszer tápbemenetéhez. Lásd: [A termék áttekintése](#) oldalon 274.
 - Az akkumulátor töltése alatt a műszer működtethető.
 - A külső tápegység helyettesítése nem megengedett. Kizárólag a műszer alkatrészeinek és tartozékainak listáján megadott külső tápegység használható. Lásd: [Cserealkatrészek és tartozékok](#) oldalon 291.
 - Az akkumulátort legfeljebb 24 óráig töltsen.

4.4 A pánt felszerelése

A csuklópánt felszerelésével biztonságosan tarthatja a műszert. Lásd: [3. ábra](#).

3. ábra A pánt felszerelése

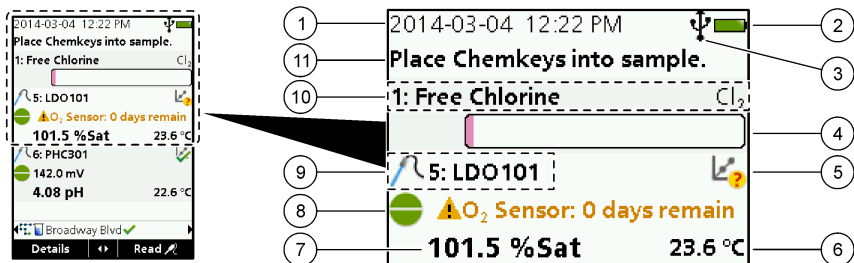


Szakasz 5 Kezelőfelület és navigálás

5.1 A kijelző ismertetése

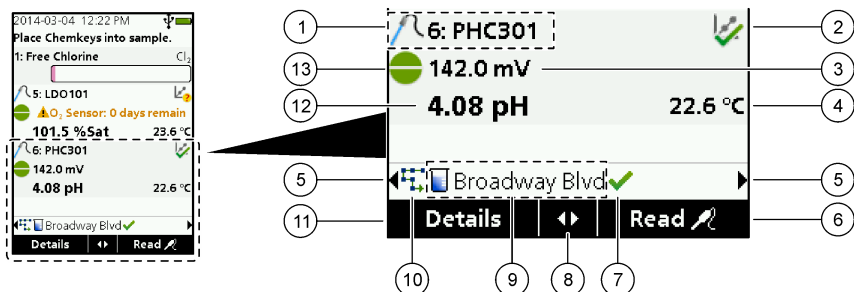
A mérési képernyő ismertetéséről lásd: [4. ábra](#) és [5. ábra](#).

4. ábra Mérési képernyő (felső rész)



1 Dátum és idő	7 Első mérés (felhasználó által választott paraméter)
2 Akkumulátor állapota	8 Stabilitási ikon figyelmeztető ikonnal és üzenettel
3 USB (COM port) aktív kapcsolati ikonja, amikor kommunikációs osztály van kijelölve	9 Szonda ikonja, portszám, paraméter vagy szonda neve
4 Folyamatjelző (nem befejezett mérésnél)	10 Nyílás száma, paraméter neve és vegyjel
5 Kalibrálási állapot ikonja (nem megfelelő kalibrálás)	11 Nagyon fontos üzenet az eszközökről (ezt követően hiba-, majd figyelmeztető üzenet)
6 Második mérés (felhasználó által választott paraméter)	

5. ábra Mérési képernyő (alsó rész)

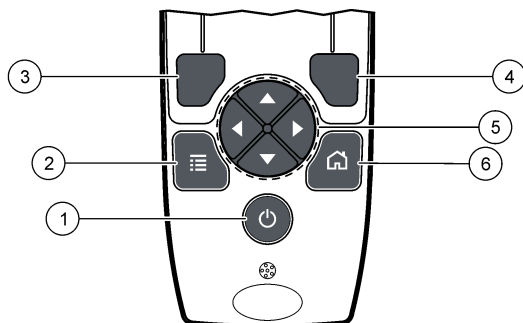


1 Szonda ikonja, portszám, paraméter vagy szonda neve	8 Aktív nyílógombok
2 Kalibrálási állapot ikonja (megfelelő kalibrálás)	9 Üzemazonosító ikonja és az üzem neve
3 Második mérési érték (felhasználó által választott paraméter)	10 Útvonalak ikonja (akkor látható, ha útvonalak vannak beállítva)
4 Harmadik mérési érték (felhasználó által választott paraméter)	11 Műveletek (környezetfüggő: Részletek, kilépés, megszakítás, kijelölés, kijelölés megszüntetése)
5 Jobbra és balra nyíl a megfelelő üzemazonosító választásához	12 Első mérési érték (felhasználó által választott)
6 Műveletek (környezetfüggő: Leolvasás, kijelölés, OK, törlés)	13 Stabilitási ikon
7 Pipajel: befejezett mérés az adott helyen	

5.2 A gombok ismertetése

A gombok ismertetését és a navigációs tudnivalókat lásd: 6. ábra.

6. ábra A gombok ismertetése



1 TÁPELLÁTÁS gomb	4 JOBB választógomb (környezetfüggő): minták leolvasása, törlés, beállítások kijelölése vagy jóváhagyása, almenük megnyitása
2 FŐMENÜ gomb: ellenőrzés, kalibrálás, útvonalak, beállítások, adatnapló, adatok, diagnosztika, kezelőazonosító és üzemazonosító választható	5 FEL, LE, JOBBRA, BALRA navigációs gomb ¹ : menük közötti görgetés, számok és betűk bevitele.
3 BAL választógomb (környezetfüggő): Részletek, kijelölés/kijelölés megszüntetése, megszakítás vagy visszalépés az aktuális menüből az előzőhöz	6 KEZDŐKÉPERNYŐ: visszatérés a fő mérési képernyőre.

Szakasz 6 Beindítás

6.1 A tápellátás bekapcsolása

Nyomja meg a **TÁPELLÁTÁS** gombot a műszer be- vagy kikapcsolásához. Ha a műszer nem kapcsol be, ellenőrizze az akkumulátor megfelelő behelyezését.

6.2 A nyelv megváltoztatása

Állítsa be a kijelző nyelvét a műszer első bekapcsolásakor. A nyelvet a **Beállítások** menün módosíthatja.

1. Válassza a **Beállítások>Nyelv** parancsot.
2. Jelölje ki a megfelelő nyelvet.

6.3 A dátum és az idő megadása

Két lehetőség van a dátum, az idő és a formátum beállítására:

- A dátum és az idő beállítása a műszer első bekapcsolásakor.
- A dátum és az idő beállítása a Dátum és idő menüből.

1. Válassza a **Beállítások>Műszer>Dátum és idő** parancsot.
2. A nyílombok segítségével jelölje ki a dátum és az idő formátumát, majd adja meg a pontos időt és a dátumot.
Az aktuális dátum és idő megjelenik a kijelzőn, valamint a naplózott mérési adatoknál.

¹ FEL, LE: mérések közötti görgetés négynél több mérésnél; JOBBRA, BALRA: kezelői és mintaazonosítók közötti görgetés.

Szakasz 7 Normál üzemeltetés

7.1 Kezelőazonosító használata

A kezelőazonosító címke a méréseket egyedi kezelőhöz társítja. Minden tárolt adat tartalmazni fogja a kezelőazonosítót.

A kezelőazonosítók egyszerű karbantartásához használja a tool.htm webalkalmazást. A további tudnivalókat lásd a gyártó webhelyén.

1. Válassza a **Főmenü>Kezelőazonosító** parancsot.
2. Válasszon beállítást.

Beállítás	Leírás
Mód	A kezelőazonosító funkció be- vagy kikapcsolása (utóbbi az alapértelmezés).
Kijelölés	Azonosító választása listáról. A rendszer az aktuális azonosítót társítja a minta adataihoz, amíg nincs másik azonosító kijelölve. A FEL és a LE nyíl segítségével jelöljön ki egy kezelőazonosítót a kezdőképernyőn. A mérési képernyőn a kezelőazonosító akkor is kijelölhető, ha még nincs Chemkey behelyezve a nyílásba, vagy nincs szonda csatlakoztatva.
Létrehozás	Név megadása az új kezelőazonosítóhoz.
Törlés	Meglévő kezelőazonosító törlése.

7.2 Üzemazonosító használata

Üzemazonosító címke választásával a méréseket adott mintához vagy helyszínhez társíthatja. Kijelölésekor a tárolt adat tartalmazni fogja ezt az azonosítót.

Az üzemazonosítók egyszerű kezeléséhez használja a tool.htm webalkalmazást. A további tudnivalókat lásd a gyártó webhelyén.

1. Válassza a **Főmenü>Üzemazonosító** parancsot.
2. Válasszon beállítást.

Beállítás	Leírás
Mód	Az üzemazonosító működési módjának beállítására szolgál: manuális, automatikus, kikapcsolt vagy útvonalak. Manuális – üzemazonosító kézi kijelölése. Autom. – a minták folyamatos számozása az egyes méréseknél, amíg nincs másik üzemazonosító kijelölve. Ki – az üzemazonosító funkció kikapcsolása (alapértelmezés). Útvonalak – az üzemazonosítók teljes listája rendezett részhalmozának megadása.
Kijelölés	Azonosító választása listáról. A rendszer az aktuális azonosítót társítja a minta adataihoz, amíg nincs másik azonosító kijelölve. Az Üzemazonosító>Megjelenítés beállítása legyen Igen. A JOBBRA vagy a BALRA nyíl segítségével jelölje ki az aktuális üzemazonosítót a mérési képernyőn. Ügyeljen arra, hogy az Üzemazonosító>Megjelenítés beállítása Igen legyen, és legalább egy Chemkey legyen a nyílásban, vagy egy szonda csatlakoztatva legyen.
Létrehozás	Új üzemazonosító felvétele.
Törlés	Meglévő üzemazonosító törlése. Megjegyzés: <i>Ügyeljen arra, hogy üzemazonosító törléséhez a Manuális üzemmódot válassza.</i>
Megjelenítés	Az üzemazonosító megjelenítése a mérési képernyőn. Ez be- vagy kikapcsolható.
Útvonalak	Üzemazonosítók rendezett listájának megadása. Útvonal kijelölésekor az üzemazonosítók automatikusan megjelennek a mérési képernyőn, és ezeket rögzíti a rendszer. A következő helyszín kijelöléséhez nyomja meg a JOBBRA nyilat. Útvonalak beállításához használja a tool.htm webalkalmazást. A további tudnivalókat lásd a gyártó webhelyén.
Megjegyzések	Különleges adatok rögzítése, és ezek hozzáadása az eseménynaplóhoz.

7.3 Chemkey mérések végrehajtása

MEGJEGYZÉS

Ne indítson új Chemkey mérést, ha más Chemkey mérések még nem fejeződtek be. Chemkey méréseknél csak egyszer helyezze a műszert a mintába.

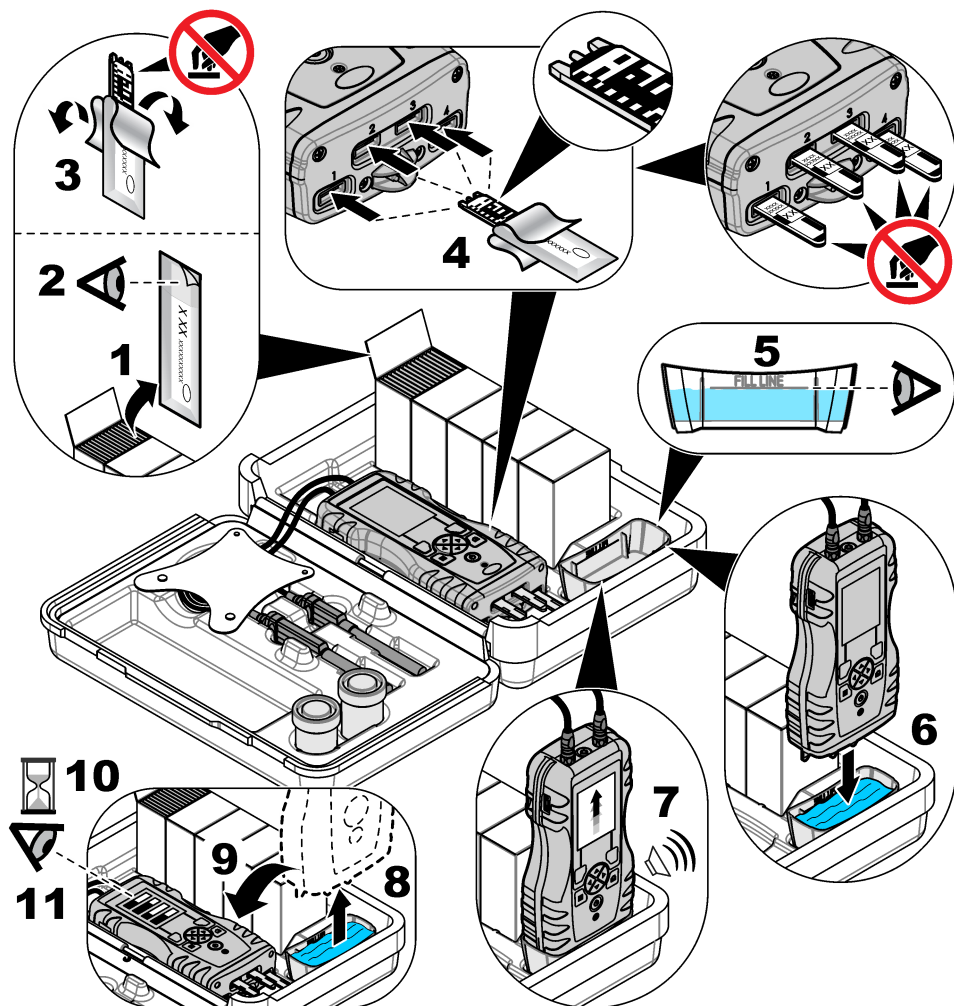
Mérés végrehajtásához a Chemkey eszközzel kövesse az alábbi eljárást. Lásd: [7. ábra](#). Egyidejűleg több szondás mérés végrehajtható. Lásd: [Szondamérések végrehajtása](#) oldalon 283.

1. Kapcsolja be a műszert.
2. Ha teljes nyomon követhetőségre van szükség, a mérés előtt adja meg az üzemazonosítót és a kezelőazonosítót. Lásd [Kezelőazonosító használata](#) oldalon 280 és [Üzemazonosító használata](#) oldalon 280.
3. Tolja be a megfelelő Chemkey eszközt teljesen, egy mozdulattal valamelyik nyílásba (1–4). Ügyeljen arra, hogy az egyes mérésekhez mindig új Chemkey eszközt használjon. Fontos, hogy a Chemkey teljesen be legyen nyomva a nyílásba.
Ha a Chemkey már a nyílásban van, ne mozgassa és ne érintse meg azt.²
4. Öblítse ki a mintacsészét a mintával.
5. Töltse fel a mintacsészét a mintával a töltési vonalig.
6. Helyezze a műszert a műszer mintacsészéjébe.
7. Várja meg a hangos figyelmeztetést és/vagy a műszer kivételének animációját (1–2 másodpercen belül), majd azonnal vegye ki a műszert a mintacsészéből. Tegye vissza a műszert a tartózába, és várja meg a mérés befejeződését. A paraméterek eltérő reakcióidőkkel rendelkeznek. A kijelzőn folyamatjelző és a mérés befejezéséig hátralévő idő látható.
8. A mérési értékek megjelennek a kijelzőn.

Megjegyzés: Ha hibaüzenet jelenik meg, a további tudnivalóért nyomja meg a **Részletek** gombot.

² A monoklóramin Chemkey és a szabad ammónia Chemkey esetében szabad ammónia mérést kell kapni.

7. ábra Chemkey mintamérés



7.4 Szonda csatlakoztatása

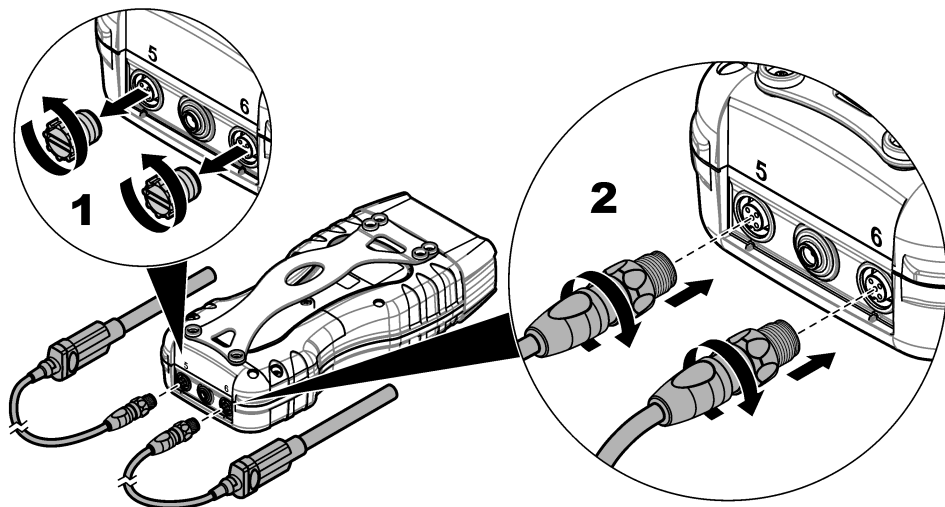
MEGJEGYZÉS

Ne dobja ki a szonda csatlakozóportjának sapkáját. Ügyeljen arra, hogy a sapka vissza legyen helyezve, ha nincs csatlakoztatva szonda.

Ellenőrizze a kijelzőn a pontos időt és a dátumot, majd csatlakoztassa a szondát a műszerhez. Lásd: [8. ábra](#).

Megjegyzés: A szonda időbélyegének beállítása akkor történik, amikor a szondát először csatlakoztatja a műszerhez. Ez az időbélyeg teszi lehetővé a szondaelőzmények és a végrehajtott mérések időpontjának rögzítését.

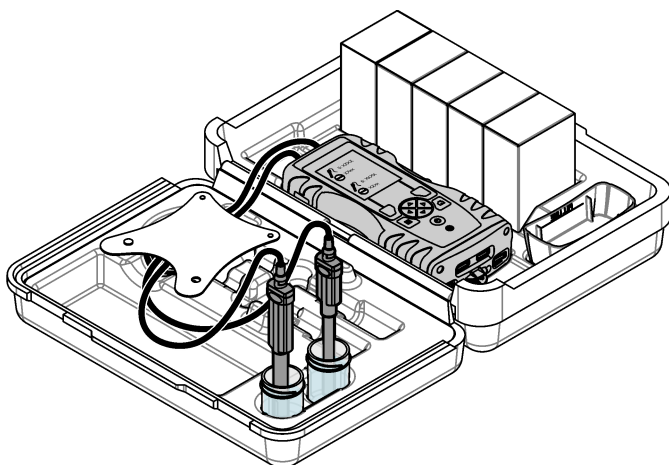
8. ábra Szondacsatlakozás



7.5 Szondamérések végrehajtása

Mérés végrehajtásához szondákkal kövesse az alábbi eljárást. Lásd: [9. ábra](#). Egyidejűleg több Chemkey mérés végrehajtható. Lásd: [Chemkey mérések végrehajtása](#) oldalon 281.

1. Az első használat előtt kalibrálja a szondát. Lásd: [A szonda kalibrálása](#) oldalon 284.
Megjegyzés: A lehető legpontosabb mérés érdekében kalibrálja a szondát naponta.
2. A szonda csatlakoztatása előtt állítsa be a dátumot és az időt a műszeren. Lásd: [A dátum és az idő megadása](#) oldalon 279.
A szondának az élettartamot megadó megfelelő időbélyeggel kell rendelkeznie.
3. Ha teljes nyomon követhetőségre van szükség, a mérés előtt adja meg az üzemazonosítót és a kezelőazonosítót. Lásd [Kezelőazonosító használata](#) oldalon 280 és [Üzemazonosító használata](#) oldalon 280.
4. Vegye le a szonda csatlakozóportjának sapkáját, és csatlakoztassa a szondát. A szonda csatlakoztatásáról lásd: [8. ábra](#) oldalon 283.
Megjegyzés: Ne dobja ki a szonda csatlakozóportjának sapkáját. Helyezze vissza a sapkát, ha nincs csatlakoztatva szonda.
5. Öblítse ki a mintapalackot a mintával.
6. Töltse fel a mintapalackot a mintával úgy, hogy az érzékelő teljesen belemerüljön a mintába.
7. Helyezze a szondát a mintapalackba, és a nyomja meg a **Leolvasás** gombot, ha a mérési üzemmód beállítása **Leolvasáshoz nyomja meg**. A további tudnivalókat lásd a szonda dokumentációjában.
8. A mérési értékek megjelennek a kijelzőn.




Szakasz 8 Kalibrálás

⚠ VIGYÁZAT



Kémiai expozíció veszélye. Kövesse a laboratóriumi biztonsági eljárásokat, és viselje a kezelt vegyszereknek megfelelő összes személyes védőfelszerelést. A biztonsági protokollokkal kapcsolatban lásd az aktuális biztonsági adatlapokat (MSDS/SDS).

8.1 A szonda kalibrálása

Az egyes szondák eltérő típusú kalibrációs oldatot használnak. A legjobb mérési pontosság érdekében elengedhetetlen a szondák kalibrálásának gyakori végrehajtása. A műszer megjeleníti a kalibrálás állapotát. Ha a kalibrálás nem helyes, a kalibrációs ikon a kérdőjellel  lesz látható mindaddig, míg nem kalibrálják megfelelően a szondát. Ha a kalibrálás helyes, a kalibrációs ikon a zöld pipajellel jelenik meg. Lépésenkénti útmutatást az egyes szondákhoz mellékelt tájékoztatók adnak. A további tudnivalókat lásd a gyártó webhelyén.

1. Csatlakoztassa a szondát.
2. A kalibrálás indításához válassza a **Főmenü>Kalibrálás** műveletet.
3. Jelölje ki a megfelelő szondát, ha egynél több van csatlakoztatva a műszerhez.

Megjegyzés: Ha csak egy ilyen van, ez a lépés nem jelenik meg.

4. A szonda kalibrálásához hajtsa végre a kijelzőn megjelenő utasításokat.

Megjegyzés: ISE szonda esetén nyomja meg a **JOBB** oldali nyilat, és szükség szerint menjen a következő kalibrálási szabványhoz. Mérje meg a szabványokat az alacsonytól a magas koncentrációig.

5. Ha szükséges, hajtsa végre ellenőrzést. Lásd: [Szonda ellenőrzése](#) oldalon 285.

8.2 Gyári kalibráció

A gyártó javasolja az évente történő teljes gyári kalibrációt annak garantálására, hogy a rendszer a kívánt módon működjön. Kérjük, hogy az Ön régióját ellátó Hach Szervizközponttal vegye fel a kapcsolatot.

8.3 A műszer kalibrálása adott Chemkey paraméterhez

Minden Chemkey eltérő kalibrálási beállításokat használ. A további tudnivalókat lásd a gyártó webhelyén.

1. Tolja be a megfelelő Chemkey eszközt lassan, egy mozdulattal valamelyik nyílásba (1–4).
2. A kalibrálás indításához válassza a **Főmenü>Kalibrálás** műveletet.
3. Jelölje ki a megfelelő Chemkey eszközt.
4. Adja meg a megfelelő standard beállítási értéket.
5. A Chemkey kalibrálásához hajtsa végre a kijelzőn megjelenő utasításokat.
6. Ha szükséges, hajtson végre ellenőrzést. Lásd: [A Chemkey ellenőrzése](#) oldalon 285.

8.4 Szonda ellenőrzése

1. Az ellenőrzés indításához válassza a **Főmenü>Ellenőrzés** műveletet.
2. Jelölje ki a megfelelő eszközt.
3. Az ellenőrzéshez hajtsa végre a kijelzőn megjelenő utasításokat.

Megjegyzés: Az ellenőrzéshez használt szabvány módosításához nyomja meg a **Főmenü>Beállítások>Szonda>[Szonda kiválasztása]>Ellenőrzési lehetőségek>Szabvány lehetőséget**.

8.5 A Chemkey ellenőrzése

A Chemkey ellenőrzése két módon hajtható végre. Az ellenőrzéshez használható paraméter-specifikus Chemkey vagy rendszer-ellenőrző Chemkey. Lásd: [Cserealkatrészek és tartozékok](#) oldalon 291.

• Paraméter-specifikus Chemkey:

1. Tolja be a paraméter-specifikus Chemkey eszközt lassan, egy mozdulattal valamelyik nyílásba (1–4).
2. Ezután az ellenőrzés indításához válassza a **Főmenü>Ellenőrzés** műveletet.
3. Hajtsa végre a menüvezérelt folyamatot.

• Rendszer-ellenőrző Chemkey:

1. Az ellenőrzés indításához válassza a **Főmenü>Ellenőrzés** műveletet.
2. Ezután tolja be a rendszer-ellenőrző Chemkey eszközt lassan, egy mozdulattal az első nyílásba.
3. Hajtsa végre a menüvezérelt folyamatot.

Szakasz 9 Adatnapló

Az adatnapló az összes mentett mérést mutatja.


1. Válassza a **Főmenü>Adatnapló** parancsot.
2. Válasszon beállítást.

Beállítás	Leírás
Összes napló dátum szerint	A mintamérések eredményeit jeleníti meg a következő adatokkal: szonda neve, szonda sorozatszám, érték, mértékegység, hőmérséklet, időpont, dátum, megjegyzések, kezelő azonosítója, üzem azonosítója és kalibrációs részletek. Az utolsó mérés megjelenik a kijelzőn. Nyomja meg a BAL nyilat az előző mérések megtekintéséhez.
Aktuális kal. a szondán	A legutóbbi kalibrálás részletes adatait jeleníti meg. Ha a szondát a felhasználó még nem kalibrálta, akkor a gyári kalibrálási adatok jelennek meg.

Beállítás	Leírás
Kal. előzm. a szondán	A szonda korábbi kalibrálási időpontjait jeleníti meg. Jelölje ki azt a dátumot és időpontot, amelynél a kalibrálási adatok összefoglalóját látni szeretné.
Adatnapló törlése	Törli a műszer összes adatát. A készülékadatok megőrződnek.

9.1 Adatok átvitele Excel fájlba

▲ FIGYELMEZTETÉS



Áramütés veszélye. A kúlsőleg csatlakoztatott berendezésekhez a megfelelő országra jellemző szabványos biztonsági értékelést kell mellékelni.

A műszer az adatnaplót XML formátumban tárolja. Az üzemazonosító, a sorszám, a dátum és az idő, a paraméter, a mért érték, a mértékegység, a kezelőazonosító, a nyílás száma, a Chemkey tételkódja és a műszer sorozatszama Excel munkafüzetben tárolható.

1. Kapcsolja be a műszert.
2. Csatlakoztassa a műszert USB-kábellel a számítógéphez. A műszer „Hach Portable Parallel Analysis” meghajtóként jelenik meg a számítógépen.
3. Nyissa meg a „DataTemplate” mappát a meghajtóról.
4. Nyissa meg a „LogTemplate.xltx” fájlt.
5. Kattintson a jobb gombbal az „A2” cellára, és válassza az XML>Import parancsot.
6. Jelölje ki az összes naplófájlt a „Data” mappában a „Hach Portable Parallel Analysis” meghajtón.
7. Kattintson az **Import** gombra.
Az adatnapló megjelenik az Excel munkafüzetben.
8. Mentse a fájlt a számítógépre vagy szükség szerint USB flash meghajtóra.
9. Távolítsa el a műszert a számítógépről. Kattintson a zöld nyilat tartalmazó „Hardver biztonságos eltávolítása és az adathordozó kiadása” ikonra a tálcán.
Megjegyzés: Egyes ikonok a „Rejtett ikonok megjelenítése” csoportban találhatóak a tálcán.
10. Válassza le az USB-kábelt a műszerről.

9.2 Adatok megtekintése webböngészőben

Az adatnapló webböngészőben való megtekintéséhez hajtsa végre a következő lépéseket. Az üzemazonosító, a sorszám, a dátum és az idő, a paraméter, a mért érték, a mértékegység, a kezelőazonosító, a nyílás száma, a Chemkey tételkódja és a műszer sorozatszama megjelenik a kijelölt webböngészőben.

1. Kapcsolja be a műszert.
2. Csatlakoztassa a műszert USB-kábellel a számítógéphez. A műszer „Hach Portable Parallel Analysis” meghajtóként jelenik meg a számítógépen.
3. Nyissa meg a „Data” mappát a meghajtóról.
4. Nyisson meg egy adatnapló fájlt.
 - Nyissa meg a „LogNN.XML” fájlt (NN = 0 és 9 közötti számjegy) tetszőlegesen böngészőben.
 - A webböngészőben válassza a **Fájl>Megnyitás** parancsot, és lépjen a „Data” mappára.
5. Mentse a fájlt a számítógépre vagy szükség szerint USB flash meghajtóra.
6. Távolítsa el a műszert a számítógépről. Kattintson a zöld nyilat tartalmazó „Hardver biztonságos eltávolítása és az adathordozó kiadása” ikonra a tálcán.
Megjegyzés: Egyes ikonok a „Rejtett ikonok megjelenítése” csoportban találhatóak a tálcán.
7. Válassza le az USB-kábelt a műszerről.

Szakasz 10 Karbantartás

▲ FIGYELMEZTETÉS



Többszörös veszély. A dokumentumnak ebben a fejezetében ismertetett feladatokat csak képzett szakemberek végezhetik el.

▲ VIGYÁZAT



Kémiai expozíció veszélye. Kövesse a laboratóriumi biztonsági eljárásokat, és viselje a kezelt vegyszereknek megfelelő összes személyes védőfelszerelést. A biztonsági protokollokkal kapcsolatban lásd az aktuális biztonsági adatlapokat (MSDS/SDS).

▲ VIGYÁZAT



Kémiai expozíció veszélye. Semmisítse meg a vegyszereket és a hulladékokat a helyi, területi és nemzeti előírásoknak megfelelően.

10.1 Kiömlések tisztítása

▲ VIGYÁZAT



Kémiai expozíció veszélye. Semmisítse meg a vegyszereket és a hulladékokat a helyi, területi és nemzeti előírásoknak megfelelően.

1. A túlfolyás szabályozása érdekében tartsa be a berendezések biztonságára vonatkozó összes előírást.
2. A hulladék megsemmisítését a vonatkozó szabályoknak megfelelően végezze.

10.2 A készülék tisztítása

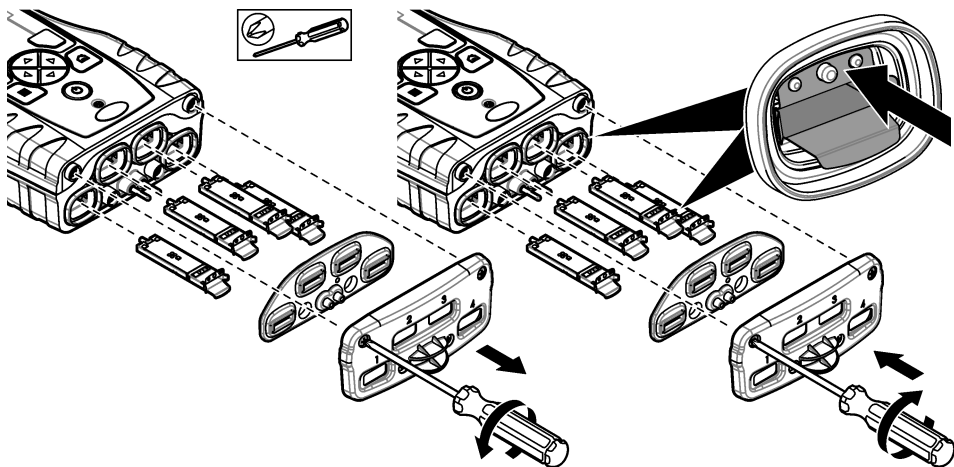
Tisztítsa meg a készülék külsejét nedves ruhával és enyhe szappanos oldattal, majd szükség szerint törölje szárazra.

10.3 Alkatrészek tisztítása vagy cseréje

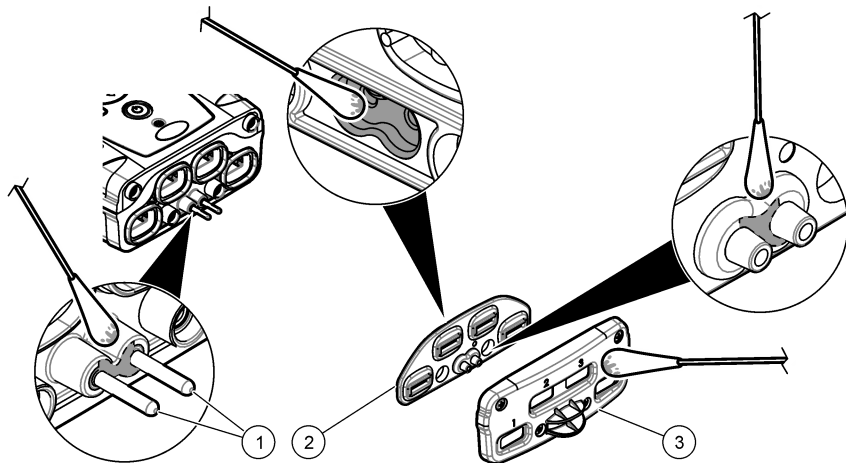
Egyes hibaüzeneteknél és figyelmeztetéseknél előírás lehet a Chemkey nyílások, az optikai ablakok, a vonalkóablak és a mintaérzékelő tisztítására, illetve a tálcák cseréjére. Az alkatrészek tisztításához izopropil-alkoholt használjon. A fényvédő tisztításához vizet és enyhe tisztítószert használjon. Ügyeljen arra, hogy a vattás tisztítóeszközt csak egy irányban mozgassa. Az optikai nyílás fedelének, a fényvédő és a tálcák eltávolításáról lásd: [10. ábra](#). A részletes tisztítási eljárásról lásd: [11. ábra](#) és [12. ábra](#).

Szükséges elemek: vattás tisztítóeszköz, izopropil-alkohol, víz és enyhe tisztítószert

10. ábra Alkatrészek eltávolítása és visszaszerelése



11. ábra A mintaérzékelő, a fényvédő és a nyílásfedél tisztítása

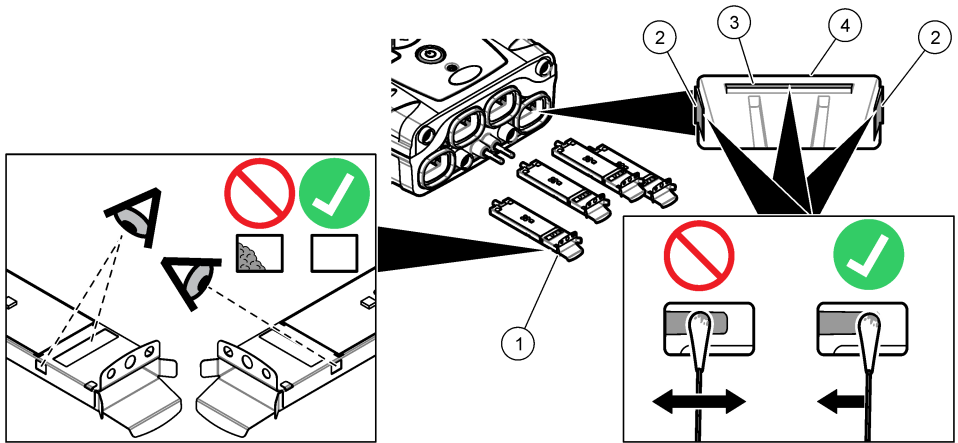


1 Mintaérzékelő

2 Fényvédő

3 Optikai nyílás fedele

12. ábra A tálcák és a Chemkey nyílások tisztítása



1 Tálca	3 Vonalkóablak
2 Optikai ablak	4 Chemkey nyílás

10.4 Az akkumulátor feltöltése vagy cseréje

Ha a töltöttségi szint alacsony, töltsse fel az akkumulátort. Cserélje ki az akkumulátort, ha az nem tartja meg a töltést. Kizárólag a gyártó által szállított akkumulátort használja. Lásd [Az akkumulátor behelyezése](#) oldalon 276 és [Cserealkatrészek és tartozékok](#) oldalon 291.

10.5 Előkészítés szállításra

MEGJEGYZÉS

Lehetséges károsodás a készülékben. Engedjen le minden vizet az egységből a szállítás előtt, így megelőzhető az esetleges fagykár.

A gyártóhoz való szállítás előtt a tudnivalókról érdeklődjön a műszaki támogató részlegnél.

- Tisztítsa meg és fertőtlenítse a műszert a szállítás előtt.
- A műszert behelyezett akkumulátorral szállítsa, de ügyeljen arra, hogy az akkumulátor ne érjen csatlakozóhoz.
- A szállítás előtt válassza le a szondákat, és vegye ki a Chemkey eszközöket.
- A műszert eredeti csomagolásában szállítsa, ha ez nem lehetséges, válasszon biztonságos csomagolást.

Szakasz 11 Hibaelhárítás

Hiba/figyelmeztetés	Lehetséges ok	Megoldás
Vonalkód-leolvasási hiba Helyezze be újra a Chemkey-(ke)t.	A Chemkey nem megfelelően működik. A Chemkey nincs megfelelően behelyezve.	<ul style="list-style-type: none"> Helyezze be újra a Chemkey eszközt a nyílásba. Használjon új Chemkey eszközt. Tisztítsa meg a vonalkódblakot. Lásd: 12. ábra oldalon 289. Ha a probléma továbbra is fennáll, forduljon a műszaki támogató részleghez.
Mintafelszívási hiba.	A Chemkey nem megfelelően működik. A Chemkey nincs teljesen benyomva a nyílásba.	Használjon egy új Chemkey eszközt, és ügyeljen arra, hogy az teljesen be legyen nyomva a nyílásba. Ha a probléma továbbra is fennáll, forduljon a műszaki támogató részleghez.
Szivárgó Chemkey. Próbálkozzon másikkal		
A Chemkey lejárt	A Chemkey ideje lejárt.	
Mérési hiba (1–4)	Mérési hiba történt a megadott nyílásnál.	
Nem támogatott paraméter	A paraméter nem elérhető a telepített műszer szoftverében.	Frissítse a műszer szoftverét. Keresse az „SL1000”-et a www.hach.com weboldalon. Menjen a Letöltések>Szoftver/Firmware részre, és kövesse a weboldalon található utasításokat.
Használt Chemkey – Cseréje	A Chemkey már használatban volt, vagy víz került a nyílásba.	Használjon új Chemkey eszközt. Ha a probléma továbbra is fennáll, szárítsa ki a nyílást és a műszert, majd próbálja újra. Ha a probléma továbbra is fennáll, forduljon a műszaki támogató részleghez.
A tálca szivárog. Cseréljen tálcát.	Hiba történt a mért tálcánál.	Cserélje ki a tálcát. Lásd: 10. ábra oldalon 288. Ha a probléma továbbra is fennáll, forduljon a műszaki támogató részleghez.
Fűtőelem hiba. Tálca cseréje	A tálca nem megfelelően működik.	
Távolítsa el a mintából.	A műszer üzemkész állapota előtt lett a mintába helyezve.	Várja meg, amíg a műszer készen áll a mintába helyezésre.
A mintát túl hamar távolították el		Helyezzen be másik Chemkey eszközt a nyílásba. Várja meg, amíg a műszer készen áll a mintába helyezésre.
Túl hosszú ideig volt a mintában	A Chemkey túl hosszú ideig volt a mintában. Mérési hiba történt.	A kérésre azonnal vegye ki a Chemkey eszközöket.
	A mintaérzékelő érintkezési területe szennyezett, ha a figyelmeztetés akkor jelenik meg, amikor a műszer nincs a mintában.	Tisztítsa meg a mintaérzékelő érintkezési területét. Lásd: Alkatrészek tisztítása vagy cseréje oldalon 287. Ha a probléma továbbra is fennáll, forduljon a műszaki támogató részleghez.
Tartomány felett	A koncentráció nagyobb az aktuális módszer felső határértékénél.	Hígítsa a mintát, és ismétlje meg a mérést.
Tartomány alatt	A koncentráció kisebb az aktuális módszer alsó határértékénél.	—
Túl hideg tálca.	Vélhetőleg túl hideg a műszer a tálca felmelegítéséhez, vagy nem működik a fűtőelem.	Vigye a műszert melegebb környezeti hőmérsékletre, és ismétlje meg a mérést. Cserélje ki a tálcát.

Hiba/figyelmeztetés	Lehetséges ok	Megoldás
Túl meleg tálcá.	A műszer túl meleg pontos mérés végrehajtásához.	Ügyeljen arra, hogy a műszer lehűljön, vagy vigye el a műszert a meleg környezetből.
Túl sok szórt fény. Helyezze be a Chemkey-t sötétebb környezetbe.	Túl erős a környezeti megvilágítás a vonalkód leolvasásához.	Vigye a műszert sötétebb környezetbe, és helyezze a Chemkey eszközt újra a nyílásba.
Kevés fény. Tisztítsa ki a Chemkey-nyílást.	A Chemkey nem megfelelően működik. A Chemkey nincs megfelelően behelyezve.	<ul style="list-style-type: none"> Helyezze a Chemkey eszközt egy mozdulattal a nyílásba. Használgon új Chemkey eszközt. Tisztítsa meg a Chemkey nyílását. Lásd: 12. ábra oldalon 289. Ha a probléma továbbra is fennáll, forduljon a műszaki támogató részleghez.
A műszer szervizelésre szorul.	Modulhiba.	Használja a megfelelően működő modulokat. A hibás modul javítása érdekében forduljon a műszaki támogató részleghez.
A minta nem található.	<ul style="list-style-type: none"> A mintacsésze nincs feltöltve a megfelelő szintig. A minta vezetőképessége kisebb a 2 $\mu\text{S}/\text{cm}$ értéknel. 	<ul style="list-style-type: none"> Ügyeljen arra, hogy a mintacsésze a megfelelő szintig fel legyen töltve. Ügyeljen arra, hogy a minta vezetőképessége nagyobb legyen a 2 $\mu\text{S}/\text{cm}$ értéknel. Tisztítsa meg a mintaérzékelőt. Lásd: 11. ábra oldalon 288. Ha a probléma továbbra is fennáll, forduljon a műszaki támogató részleghez.

11.1 Diagnosztikai ellenőrzés végrehajtása

A diagnosztikai menün a műszer összetevőinek aktuális verziójáról kérhetők le adatok, valamint a memóriakártya formázása hajtható végre.

- Válassza a **Főmenü>Diagnosztika** parancsot.
- Válasszon beállítást.

Beállítás	Leírás
Lemezterület	A felhasználói és a belső memória területének megjelenítése.
Konfig. verziók	A műszer beállításai konfigurációs verzióinak megjelenítése.
Módszerverziók	A műszer módszerverzióinak megjelenítése.
Memória formázása	A műszer összes adatának törlése. Megjegyzés: A Memória formázása művelet végrehajtása után a műszer összes adata elveszik (például a következők: műszer konfigurációja, üzemaazonosítók, kezelőazonosítók, útvonalak, megjegyzések, sablonok).

Szakasz 12 Cserealkatrészek és tartozékok

▲ FIGYELMEZTETÉS	
	Személyi sérülés veszélye. A nem jóváhagyott alkatrészek használata személyi sérüléshez, a műszer károsodásához vagy a berendezés meghibásodásához vezethet. Az ebben a fejezetben található cserealkatrészek a gyártó által jóváhagyott alkatrészek.

Megjegyzés: A termék- és cikkszámok értékesítési régióként eltérhetnek. Lépjen kapcsolatba a megfelelő viszonteladóval, vagy látogasson el a cég honlapjára a kapcsolattartási tudnivalókért.

Lásd a Cserealkatrészek és tartozékok részt a felhasználói útmutató bővített változatában.

Cuprins

- | | |
|---|--|
| 1 Manual de utilizare online de la pagina 292 | 7 Operațiune standard de la pagina 300 |
| 2 Specificații de la pagina 292 | 8 Calibrarea de la pagina 304 |
| 3 Informații generale de la pagina 293 | 9 Jurnal de date de la pagina 305 |
| 4 Instalarea de la pagina 295 | 10 Întreținere de la pagina 307 |
| 5 Interfața cu utilizatorul și navigarea de la pagina 297 | 11 Depanare de la pagina 310 |
| 6 Pornirea sistemului de la pagina 299 | 12 Piese de schimb și accesorii de la pagina 312 |

Secțiunea 1 Manual de utilizare online

Acest manual de utilizare de bază conține mai puține informații decât manualul de utilizare, care este disponibil pe site-ul web al producătorului.

Secțiunea 2 Specificații

Specificațiile pot face obiectul unor modificări fără notificare prealabilă.

Specificație	Detalii
Dimensiuni (l x D x Î)	13.08 x 5.89 x 25.83 cm (5.15 x 2.32 x 10.17 in.)
Clasă carcasă	IP64 cu capacele porturilor pentru sonde instalate, sau cu sondele conectate la instrument
Greutate	1.2 kg (2.7 lb)
Cerințe de alimentare (internă)	Baterie reîncărcabilă litiu-ion, 7.4V, 5.0Ah (5000mAh)
Cerințe de alimentare (externă)	intrare: 100 V – 240 V CA, 50/60Hz ; ieșire: 12 V, 3 A
Temperatură de funcționare (descărcare de gestiune)	De la 5 la 50 °C (de la 41 la 122 °F); umiditate relativă maximă 85%, fără condens
Temperatură de încărcare	De la 5 la 45 °C (de la 41 la 113 °F); umiditate relativă maximă 85%, fără condens
Temperatură de depozitare	Între –20 și 60 °C (–4 și 140 °F); umiditate relativă de maxim 85% (fără condens)
Interfață	Portul Mini USB
Conector de intrare cu 5 pini	Doi conectori M12 pentru sonde IntelliCal
Conexiunea de sursă de curent externă	Jack de 2,5 mm
Sloturi Chemkey	4
Memorie date	1000 valori măsurate (Rezultat, Dată, Oră, ID locație, ID utilizator)
Salvarea datelor	Automată, în modul de măsurare Press to Read (Apăsăți pentru citire) Manuală, în modul Continuous Read (Citire continuă)
Corecție de temperatură (pentru sonde IntelliCal™)	Dezactivată, automată și manuală (în funcție de parametru)
Blocare a ecranului de măsurare (pentru sonde IntelliCal™)	Moduri de măsurare Press to Read (Apăsăți pentru citire) și Continuous Read (Citire continuă)
Clasă de protecție	III
Certificări	CE, UKCA, FCC, ISED, RCM, KC
Garanție	1 an

Secțiunea 3 Informații generale

În niciun caz producătorul nu este responsabil pentru daunele provocate de utilizarea incorectă a produsului sau de nerespectarea instrucțiunilor din manual. Producătorul își rezervă dreptul de a efectua modificări în acest manual și produselor pe care le descrie, în orice moment, fără notificare sau obligații. Edițiile revizuite pot fi găsite pe site-ul web al producătorului.

3.1 Informații referitoare la siguranță

Producătorul nu este responsabil pentru daunele cauzate de utilizarea incorectă a acestui produs, inclusiv și fără a se limita la daunele directe, accidentale sau pe cale de consecință și neagă responsabilitatea pentru astfel de daune în măsura maximă permisă de lege. Utilizatorul este unicul responsabil pentru identificarea riscurilor critice și pentru instalarea de mecanisme corespunzătoare pentru protejarea proceselor în cazul unei posibile defectări a echipamentului.

Citiți în întregime manualul înainte de a despacheta, configura și utiliza aparatura. Respectați toate atenționările de pericol și avertismentele. Nerespectarea acestei recomandări poate duce la vătămări serioase ale operatorului sau la deteriorarea echipamentului.

Verificați dacă protecția cu care este prevăzută aparatura nu este defectă. Nu utilizați sau nu instalați aparatura în niciun alt mod decât cel specificat în prezentul manual.

3.1.1 Informații despre utilizarea produselor periculoase

▲ PERICOL

Indică o situație periculoasă în mod potențial sau iminent care, dacă nu este evitată, va avea ca rezultat decesul sau vătămarea corporală gravă.

▲ AVERTISMENT

Indică o situație periculoasă în mod potențial sau iminent care, dacă nu este evitată, poate conduce la deces sau la o vătămare corporală gravă.

▲ ATENȚIE



Indică o situație periculoasă în mod potențial care poate conduce la o vătămare corporală minoră sau moderată.

NOTĂ

Indică o situație care, dacă nu este evitată, poate provoca defectarea aparatului. Informații care necesită o accentuare deosebită.

3.1.2 Etichete de avertizare

Citiți toate etichetele și avertismentele cu care este prevăzut instrumentul. În caz de nerespectare se pot produce vătămări personale sau avarieri ale instrumentului. Toate simbolurile de pe instrument sunt menționate în manual cu câte o afirmație de avertizare.

	Acest simbol, dacă este notat pe instrument, se regăsește în manualul de instrucțiuni referitoare la funcționare și/sau siguranță.
	Echipamentele electrice inscripționate cu acest simbol nu pot fi eliminate în sistemele publice europene de deșeuri. Returnați producătorului echipamentele vechi sau la sfârșitul duratei de viață în vederea eliminării, fără niciun cost pentru utilizator.

3.1.3 Certificare

Avertisment - Notificare EN 55011/CISPR 11

Acesta este un produs din clasa A. Într-un mediu casnic, acest produs poate cauza interferențe radio, caz în care utilizatorul trebuie să ia măsurile adecvate.

Reglementările canadiene privind echipamentele care produc interferențe radio, ICES-003, clasa A:

Înregistrările testelor relevante se află la producător.

Acest aparat digital de clasă A întrunește toate cerințele reglementărilor canadiene privind echipamentele care produc interferențe.

Cet appareil numérique de classe A répond à toutes les exigences de la réglementation canadienne sur les équipements provoquant des interférences.

FCC Partea 15, limite pentru clasa „A”

Înregistrările testelor relevante se află la producător. Acest dispozitiv este conform cu Partea 15 din Regulile FCC. Funcționarea se supune următoarelor condiții:

1. Este posibil ca echipamentul să nu genereze interferențe dăunătoare.
2. Echipamentul trebuie să accepte orice interferențe recepționate, inclusiv interferențe care pot provoca funcționare nedorită.

Schimbările sau modificările aduse acestui echipament care nu sunt în mod expres aprobate de partea responsabilă pentru respectarea standardelor, pot conduce la anularea autorității utilizatorului de a folosi acest aparat. Acest aparat a fost testat și s-a constatat că respectă limitele pentru aparate digitale de clasă A, conform Părții 15 a Regulilor FCC. Aceste limite sunt stabilite pentru a asigura o protecție rezonabilă împotriva interferențelor dăunătoare atunci când aparatura este exploatată în condiții comerciale. Acest echipament generează, folosește și poate radia energie cu frecvență radio și, dacă nu este instalat și folosit în conformitate cu manualul de instrucțiuni, poate cauza interferențe dăunătoare asupra comunicațiilor radio. Este probabil ca exploatarea acestui echipament într-o zonă rezidențială să producă interferențe dăunătoare, caz în care utilizatorului i se va solicita să remedieze interferența pe propria cheltuială. Pentru a reduce problemele de interferențe, pot fi utilizate următoarele tehnici:

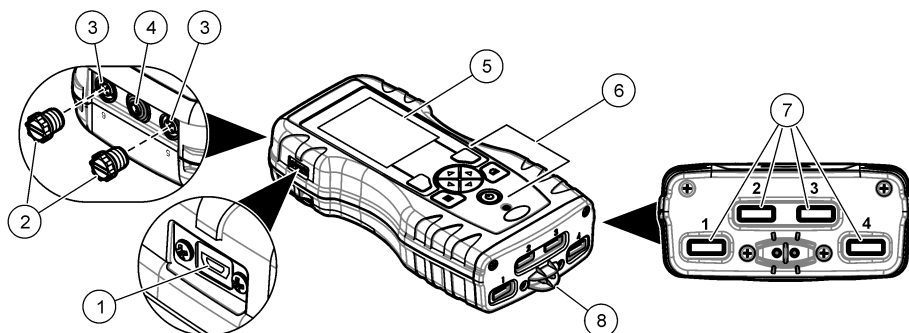
1. Deconectați echipamentul de la sursa de curent pentru a verifica dacă reprezintă sau nu sursa interferențelor.
2. Dacă echipamentul este conectat la aceeași priză ca dispozitivul care prezintă interferențe, conectați echipamentul la o altă priză.
3. Depărtați echipamentul de dispozitivul care recepționează interferențe.
4. Repoziționați antena de recepție a dispozitivului afectat de interferență.
5. Încercați combinații ale soluțiilor de mai sus.

3.2 Prezentare generală a produsului

Analizorul paralel portabil SL1000 poate măsura simultan până la 6 parametri ai apei potabile sau altor ape de puritate similară. Aparatul utilizează Chemkeys®-uri și sonde digitale IntelliCAL™ pentru a măsura diverși parametri ai apei. Aparatul poate identifica automat tipul Chemkey-ului instalat și tipul sondei conectate.

Aparatul poate utiliza cel mult patru Chemkey-uri și cel mult două sonde pentru măsurători. Consultați [Figura 1](#).

Figura 1 Prezentare generală a produsului



1 Port Mini USB	5 Afișaj
2 Capacele porturilor de conectare a sondelor	6 Tastatură
3 Porturi de conectare a sondelor	7 Sloturi Chemkey
4 Port de alimentare	8 Detector eșantion

3.3 Componentele produsului

Asigurați-vă că ați primit toate componentele. Consultați documentația furnizată. Dacă oricare dintre elemente lipsește sau este deteriorat, contactați imediat fie producătorul, fie un reprezentant de vânzări.

Secțiunea 4 Instalarea

⚠ AVERTISMENT



Pericole multiple. Numai personalul calificat trebuie să efectueze activitățile descrise în această secțiune a documentului.

4.1 Lithium battery safety

⚠ AVERTISMENT



Pericol de explozie și incendiu. Bateriile cu litiu pot deveni fierbinți, pot exploda și pot cauza răni grave dacă sunt expuse la condiții extreme.

- Nu utilizați bateria dacă prezintă semne vizibile de deteriorare.
- Nu utilizați bateria după un șoc puternic sau vibrații.
- Nu expuneți bateria la foc.
- Păstrați bateria la temperaturi sub 60 °C (140 °F).
- Păstrați bateria uscată și nu o lăsați în apropierea surselor de apă.
- Împiedicați contactul dintre borna pozitivă și borna negativă a bateriei.
- Nu permiteți persoanelor neautorizate să atingă bateria.
- Eliminați bateria în conformitate cu reglementările locale, regionale și naționale.

- Nu utilizați și nu depozitați instrumentul în lumina directă a soarelui, lângă o sursă de căldură sau în medii cu temperatură ridicată, cum ar fi un vehicul închis, lăsat să stea în lumina directă a soarelui.

4.2 Instalarea bateriei

⚠ AVERTISMENT



Pericol de explozie și incendiu. Acest echipament are o baterie cu litiu cu nivel ridicat de energie. Bateria care se poate aprinde și poate provoca incendii sau explozii, chiar dacă este consumată. Pentru a nu diminua siguranța oferită de carcasa instrumentului, aceasta trebuie să fie montată și fixată cu ajutorul echipamentului furnizat.

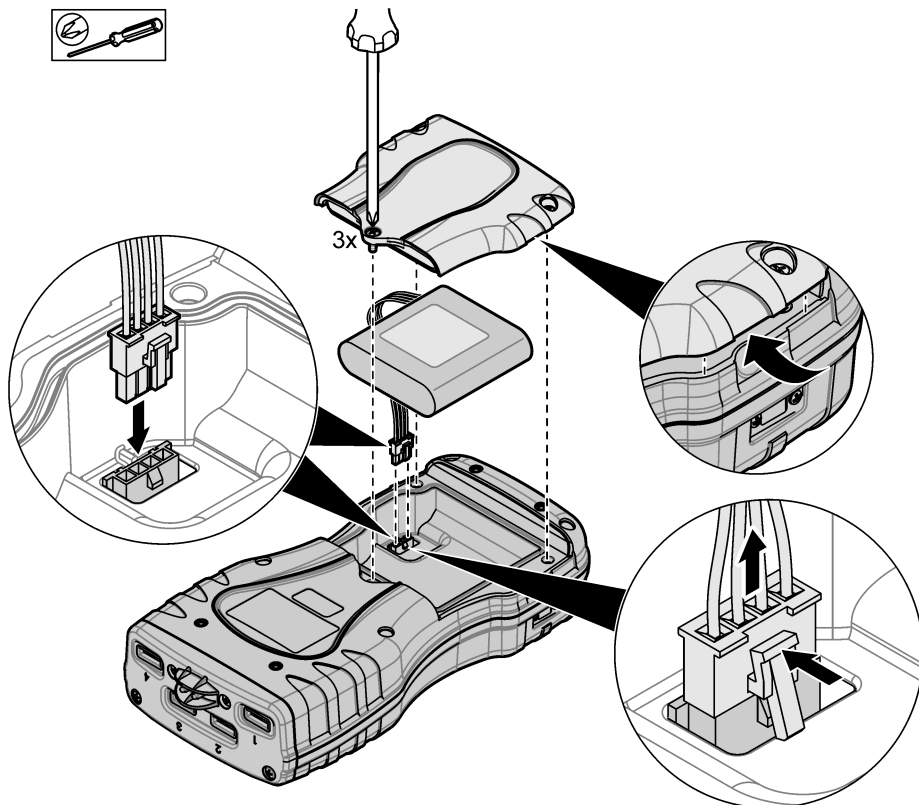
⚠ AVERTISMENT



Pericol de explozie și de incendiu. Înlocuirea bateriei nu este permisă. Utilizați numai bateriile furnizate de producătorul instrumentului.

Utilizați numai baterii reîncărcabile litiu-ion furnizate de către producător. Consultați [Figura 2](#) pentru informații referitoare la instalarea sau dezinstalarea bateriilor.

Figura 2 Instalarea și dezinstalarea bateriilor



4.3 Încărcarea bateriei

⚠️ AVERTISMENT



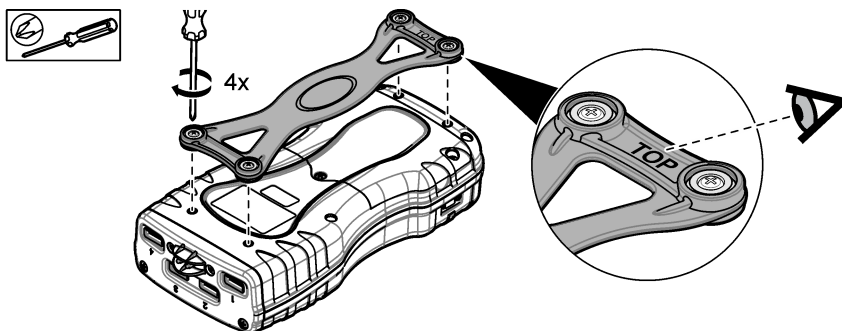
Pericol de incendiu. Utilizați numai surse de alimentare externă care sunt specificate pentru acest instrument.

1. Conectați alimentatorul extern la o priză de curent alternativ.
2. Conectați alimentatorul extern la conectorul corespunzător al aparatului de măsură. Consultați [Prezentare generală a produsului](#) de la pagina 294.
 - Instrumentul poate fi utilizat în timp ce se încarcă.
 - Înlocuirea alimentatorului extern nu este permisă. Utilizați doar alimentatorul specificat în lista de piese și accesorii a instrumentului. Consultați [Piese de schimb și accesorii](#) de la pagina 312.
 - Nu încărcați bateria pentru o perioadă mai lungă de 24 de ore.

4.4 Instalarea șnurului pentru gât

Instalați șnurul pentru gât pentru a ține aparatul de măsurare în siguranță. Consultați [Figura 3](#).

Figura 3 Instalarea șnurului pentru gât

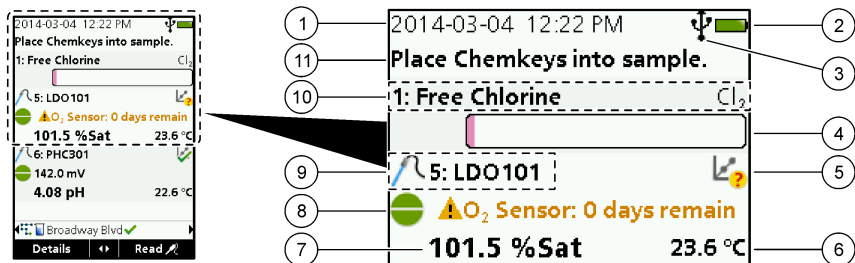


Secțiunea 5 Interfața cu utilizatorul și navigarea

5.1 Descrierea afișajului

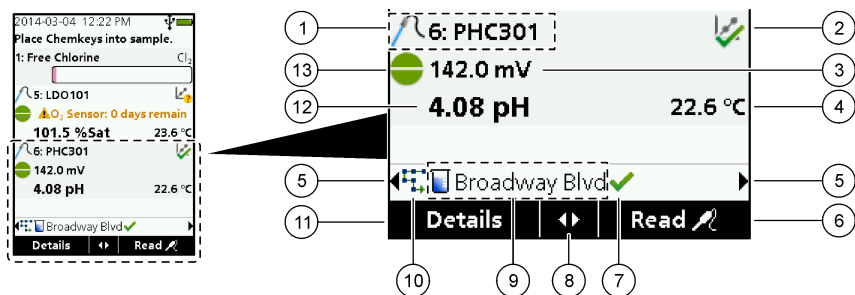
Consultați [Figura 4](#) și [Figura 5](#) pentru descrierea ecranului de măsurare.

Figura 4 Ecranul de măsurare (partea de sus)



1 Date and time (Data și ora)	7 Valoare de măsurare principală (parametru selectat de utilizator)
2 Starea bateriei	8 Pictograma de stabilitate, cu pictograma de avertizare și mesajul de avertizare
3 Pictograma de conectare activă prin USB (port COM) când este selectată clasa de comunicare.	9 Pictograma sondei, numărul portului, parametrul sau numele sondei
4 Bara de progres (măsurătoare nefinalizată)	10 Numărul slotului, numerele parametrului și simbolul chimic
5 Pictograma stării de calibrare (calibrare incorectă)	11 Mesaj foarte important pentru dispozitiv (urmate de eroare și de mesajul de avertizare)
6 Măsurătoare secundară (parametru selectat de utilizator)	

Figura 5 Ecranul de măsurare (partea de jos)

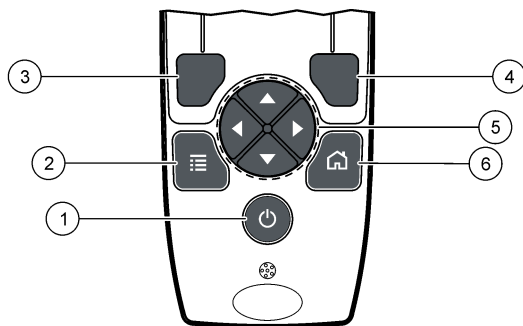


1 Pictograma sondei, numărul portului, parametrul sau numele sondei	8 Taste săgeți active
2 Pictograma stării de calibrare (calibrare corectă)	9 Pictogramă ID locație și nume locație
3 Valoare de măsurare secundară (parametru selectat de utilizator)	10 Pictogramă rute (se afișează când sunt activate rutele)
4 Valoare de măsurare terțiară (parametru selectat de utilizator)	11 Opțiuni contextuale: Details (Detalii), Exit (Ieșire), Cancel (Anulare), Select (Selectare), Deselect (Deselectare)
5 Săgețile dreapta și stânga, pentru selectarea ID-ului de locație corespunzător	12 Valoare măsurătoare primară (selectată de utilizator)
6 Opțiuni contextuale: Read (Citire), Select (Selectare), OK, Delete (Ștergere)	13 Pictogramă stabilitate
7 Bifă: Măsurătoare realizată la locație	

5.2 Descrierea tastaturii

Consultați [Figura 6](#) pentru descrierea tastaturii și informații despre navigare.

Figura 6 Descrierea tastaturii



1 Tasta ALIMENTARE	4 Tasta de selecție DREAPTA: citire eșantioane, ștergere, selectare sau confirmare a opțiunilor, deschidere a submeniurilor
2 Tasta MENIU PRINCIPAL: verificare, calibrare, rute, setări, jurnal de date, informații, diagnostic, ID operator și ID locație	5 Tastele de navigare SUS, JOS, DREAPTA, STÂNGA ¹ : derulare a meniurilor, introducerea numerelor și literelor.
3 Tasta de selecție STÂNGA (contextual): detalieri, selectare/deselectare, anulare sau părăsire a meniului curent și revenire la cel anterior	6 ACASĂ: Accesare a ecranului principal de măsurare.

Secțiunea 6 Pornirea sistemului

6.1 Pornirea

Apăsați pe tasta **ALIMENTARE** pentru a porni sau opri aparatul. Dacă aparatul nu pornește, asigurați-vă că bateria este instalată corect.

6.2 Modificarea limbii

Setați limba de afișare când aparatul de măsură este pornit pentru prima dată. Schimbați limba din meniul **Settings (Setări)**.

1. Selectați **Settings (Setări) > Language (Limbă)**.
2. Selectați limba aplicabilă.

6.3 Schimbarea datei și a orei

Există două opțiuni pentru setarea formatului datei și orei:

- Reglați data și ora când aparatul de măsură este pornit prima dată.
- Reglați data și ora din meniul Date & Time (Dată și oră).

1. Selectați **Settings (Setări) > Meter (Aparat de măsură) > Date & Time (Dată și oră)**.
2. Utilizați tastele săgeți pentru a selecta formatul datei și orei, apoi introduceți ora și data curente. Data și ora curente vor fi afișate pe ecran și împreună cu datele jurnalizate ale măsurătorilor.

¹ SUS, JOS: Derulare a măsurătorilor, atunci când sunt mai mult de 4 măsurători; DREAPTA, STÂNGA: Derulare a ID-urilor de operatori și locații

Secțiunea 7 Operațiune standard

7.1 Utilizarea ID-ului de operator

Eticheta ID operator asociază măsurătorii unui operator individual. Toate datele stocate vor include ID-ul de operator.

Pentru a gestiona mai ușor ID-urile operatorilor, utilizați aplicația web "tool.htm". Pentru informații suplimentare, consultați site-ul web al producătorului.

1. Apăsați pe **Main Menu (Meniu principal) > Operator ID (ID operator)**.
2. Selectați o opțiune.

Opțiune	Descriere
Mode (Mod)	Activează sau dezactivează funcția Operator ID (ID operator).
Select (Selectare)	Selectați un ID dintr-o listă. ID-ul curent va fi asociat cu datele eșantionului până va fi selectat un ID diferit. Utilizați săgețile SUS și JOS pentru a selecta un ID de operator din ecranul principal. Puteți selecta ID-ul operatorului chiar în ecranul de măsurare, înainte de a introduce un Chemkey în slot sau înainte de a atașa o sondă.
Create (Creare)	Introduceți un nume pentru un ID de operator nou.
Delete (Ștergere)	Ștergeți un ID de operator existent.

7.2 Utilizarea unui ID de locație

Selectați un ID de locație pentru a asocia măsurătorile cu un anumit eșantion sau o anumită locație. Dacă sunt atribuite, datele stocate vor include acest ID.

Pentru a gestiona mai ușor ID-urile de locație, utilizați aplicația web "tool.htm". Pentru informații suplimentare, consultați site-ul web al producătorului.

1. Apăsați pe **Main Menu (Meniu principal) > Site ID (ID locație)**.
2. Selectați o opțiune.

Opțiune	Descriere
Mode (Mod)	Permite setarea funcției Site ID (ID locație) la una dintre valorile Manual, Auto, Off (Dezactivat) sau Route (Traseu). Manual —Necesită selectarea manuală a ID-ului de locație. Auto —Eșantioanele sunt numerotate la rând pentru fiecare măsurătoare până la selectarea unui ID diferit. Off (Dezactivat) —Funcția Site ID (ID locație) este dezactivată (setare implicită). Routes (Traseu) —Furnizează un subset al listei complete de ID-uri de locații.
Select (Selectare)	Selectați un ID dintr-o listă. ID-ul curent va fi asociat cu datele eșantionului până când va fi selectat un ID diferit. Setați opțiunea Site ID (ID locație) > Show (Afișare) la Yes (Da). Utilizați săgețile DREAPTA și STÂNGA pentru a selecta ID-ul locației curente pe ecranul de măsurare. Asigurați-vă că opțiunea Site ID (ID locație) > Show (Afișare) este setată la Yes (Da) și că cel puțin un Chemkey este introdus în slot sau cel puțin o sondă este atașată.
Create (Creare)	Creați un nou ID de locație.
Delete (Ștergere)	Ștergeți un ID de locație existent. Notă: Trebuie să selectați modul Manual pentru a șterge un ID de locație.
Show (Afișare)	Afișează ID-ul locației pe ecranul de măsurare. Poate fi setat la On (Activat) sau Off (Dezactivat).
Routes (Traseu)	Furnizează o listă predefinită de ID-uri de locații. Dacă selectați un traseu, ID-urile locațiilor vor fi automat afișate pe ecranul de măsurare și înregistrate. Apăsați pe săgeata DREAPTA pentru a selecta locația următoare. Utilizați aplicația web "tool.htm" pentru a seta trasee. Pentru informații suplimentare, consultați site-ul web al producătorului.
Notes (Note)	Permite înregistrarea unor informații speciale și adaugă aceste informații într-un jurnal de evenimente.

7.3 Realizarea măsurătorilor Chemkey

NOTĂ

Nu începeți o măsurătoare Chemkey nouă înainte de finalizarea celei deja începute. Introduceți aparatul de măsură în eșantion o singură dată pentru măsurătoarea Chemkey.

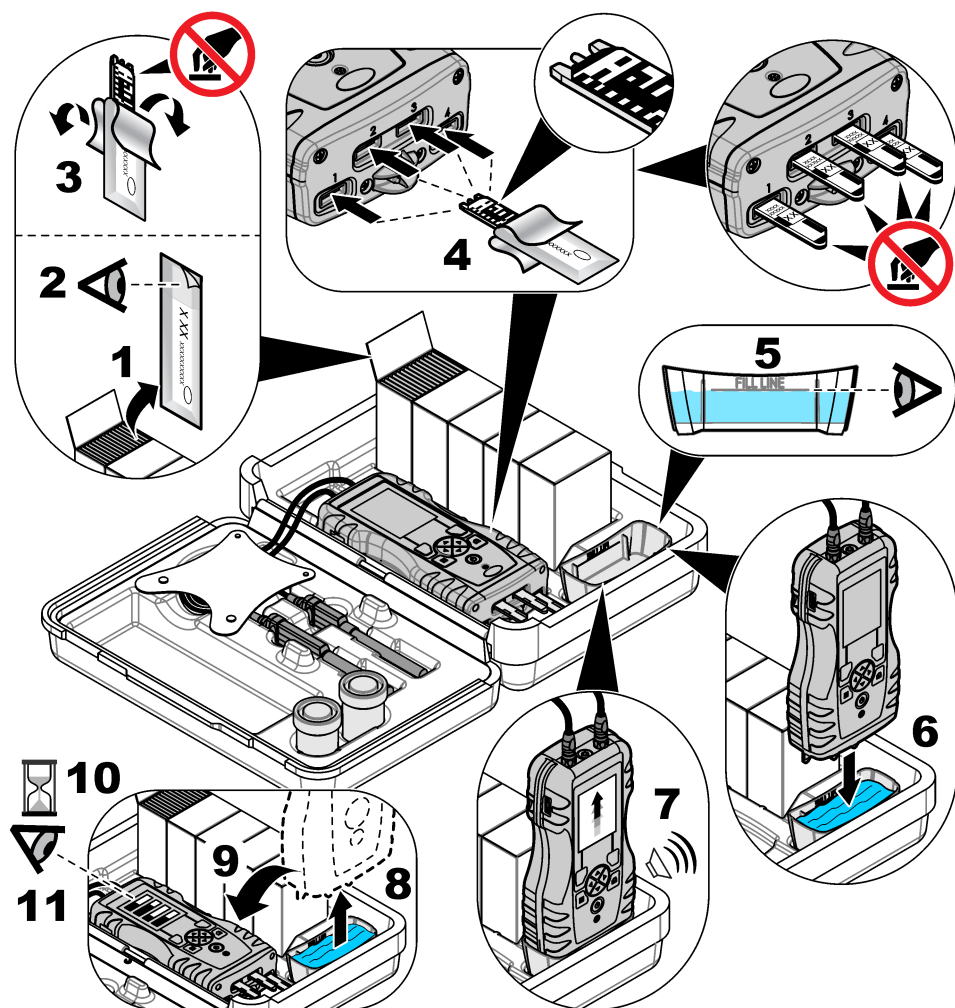
Pentru a realiza o măsurătoare Chemkey, urmați procedura descrisă în continuare. Consultați [Figura 7](#). Puteți realiza în același timp măsurători cu mai multe sonde. Consultați [Măsurători complete cu ajutorul sondelor](#) de la pagina 303.

1. Porniți aparatul de măsură.
2. Dacă este necesară documentarea fiecărui pas, introduceți ID-ul locației și ID-ul operatorului înainte de a începe măsurarea. Consultați [Utilizarea ID-ului de operator](#) de la pagina 300 și [Utilizarea unui ID de locație](#) de la pagina 300.
3. Introduceți Chemkey-urile necesare încet, dintr-o singură mișcare, în sloturile 1 - 4. Utilizați întotdeauna Chemkey-uri noi pentru fiecare măsurătoare. Este esențial să introduceți Chemkey-ul până la capăt în slot.
Atunci când un Chemkey este complet introdus în slot, nu mișcați sau atingeți Chemkey-ul.²
4. Clătiți recipientul de analiză cu eșantionul.
5. Umpleți recipientul de analiză până la linie cu eșantionul.
6. Introduceți aparatul de măsură în recipientul de analiză.
7. Așteptați semnalul sonor sau animația de încheiere (1-2 secunde) și scoateți aparatul de măsură din recipientul de analiză.
Introduceți aparatul de măsură în toc și așteptați finalizarea analizei. Diversi parametri au timpi de reacție diferiți. Pe afișaj este afișată o bară de progres care indică timpul rămas până la finalizarea măsurătorii.
8. Valorile măsurate vor apărea pe afișaj.

Notă: În cazul unei erori, apăsați pe **Details (Detalii)** pentru informații suplimentare.

² Pentru a obține o măsurătoare a amoniacului, sunt necesare două Chemkey-uri: unul pentru monocloramină și unul pentru amoniac.

Figura 7 Măsurarea eșantioanelor Chemkey



7.4 Conectarea unei sonde

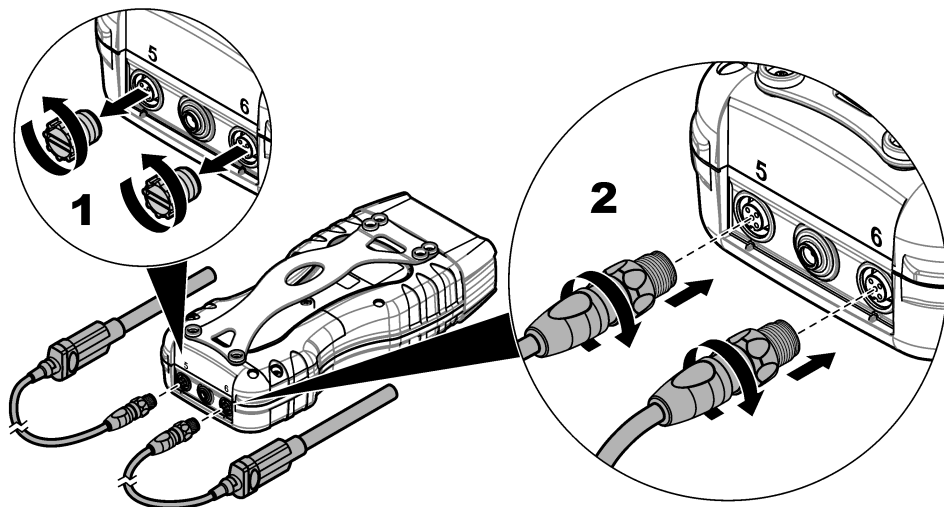
NOTĂ

Nu aruncați capacele conectorilor sondelor. Capacele conectorilor pentru sonde trebuie fixate pe conectori atunci când nu sunt conectate sonde.

Asigurați-vă că pe ecran sunt afișate data și ora curente, apoi conectați sonda/sondele la aparatul de măsură. Consultați [Figura 8](#).

Notă: Marcajul temporal pentru o sondă este setat în momentul primei conectări a sondei la aparatul de măsură. Marcajul temporal face posibilă înregistrarea istoricului sondei și înregistrarea orelor la care sunt efectuate măsurătorile.

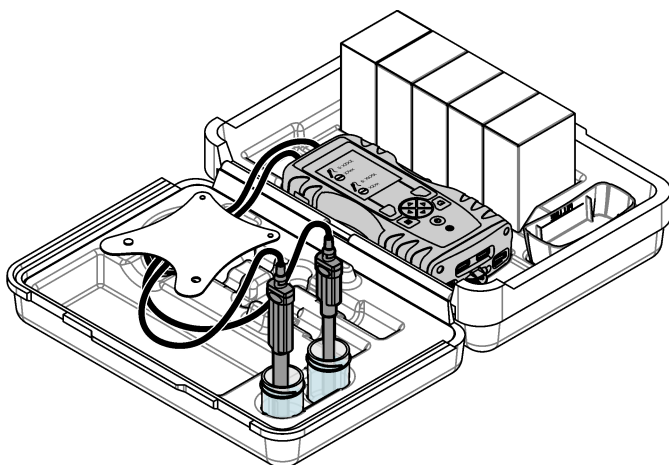
Figura 8 Conexiuni transmise



7.5 Măsurători complete cu ajutorul sondelor

Realizați procedura următoare pentru a realiza o măsurătoare cu ajutorul sondelor. Consultați [Figura 9](#). Puteți realiza în același timp măsurători Chemkey cu mai multe sonde. Consultați [Realizarea măsurătorilor Chemkey](#) de la pagina 301.

1. Calibrați sondele înainte de prima utilizare. Consultați [Calibrați sonda](#) de la pagina 304.
Notă: Pentru cea mai bună acuratețe, calibrați sondele zilnic.
2. Setati data și ora pe aparatul de măsură înainte de a atașa sonda. Consultați [Schimbarea datei și a orei](#) de la pagina 299.
Sonda trebuie să aibă marcajul temporal corespunzător (să se încadreze în durata de viață).
3. Dacă este necesară documentarea fiecărui pas, introduceți ID-ul locației și ID-ul operatorului înainte de a începe măsurarea. Consultați [Utilizarea ID-ului de operator](#) de la pagina 300 și [Utilizarea unui ID de locație](#) de la pagina 300.
4. Îndepărtați capacele conectorilor și atașați sondele necesare. Pentru informații referitoare la conectarea sondelor, consultați [Figura 8](#) de la pagina 303.
Notă: Nu aruncați capacele conectorilor sondelor. După deconectarea sondelor, reinstalați capacele pe conectorii acestora.
5. Clătiți recipientul de analiză cu eșantionul de analizat.
6. Umpleți recipientul cu eșantionul astfel încât senzorul să fie complet scufundat în lichid.
7. Introduceți sondele în recipientul de analiză și apăsați pe **Read (Citire)** dacă modul de măsurare este setat la **Press to Read (Apăsați pentru citire)**. Pentru informații suplimentare, consultați documentația sondelor.
8. Valorile măsurate vor apărea pe afișaj.



Secțiunea 8 Calibrarea


⚠ ATENȚIE



Pericol de expunere chimică. Respectați procedurile de siguranță în laborator și purtați toate echipamentele de protecție personală adecvate pentru substanțele chimice care sunt manipulate. Consultați fișele tehnice de securitate (MSDS/SDS) pentru protocoalele de siguranță.

8.1 Calibrați sonda

Fiecare sondă utilizează un alt tip de soluție pentru calibrare. Nu uitați să calibrați sondele frecvent pentru a menține cel mai ridicat nivel de precizie. Aparatul de măsură va indica starea calibrării.

Dacă calibrarea nu este corectă, va fi afișată pictograma de calibrare cu un semn de întrebare  până la calibrarea corectă a sondei. În momentul în care calibrarea este corectă, va fi afișată pictograma de calibrare cu o bifă verde. Pentru instrucțiuni pas cu pas, consultați documentele incluse împreună cu fiecare sondă. Pentru informații suplimentare, consultați site-ul web al producătorului.

1. Conectarea unei sonde.
2. Selectați **Main Menu (Meniu principal) > Calibrate (Calibrare)** pentru a începe calibrarea.
3. Selectați sonda aplicabilă, dacă sunt conectate mai multe sonde la instrument.

Notă: Dacă este conectată o singură sondă, această etapă nu este afișată.

4. Urmați instrucțiunile de pe ecran pentru a calibra sonda.

Notă: Pentru o sondă ISE, împingeți săgeata DREAPTA și mergeți la următoarea soluție etalon de calibrare, după cum este necesar. Măsurați soluțiile etalon de la cele cu o concentrație scăzută la cele cu o concentrație ridicată.

5. Dacă este necesar, realizați o verificare. Consultați [Verificarea sondelor](#) de la pagina 305.

8.2 Calibrare la valorile din fabrică

Producătorul recomandă efectuarea anuală a unei calibrări complete la valorile din fabrică, pentru a vă asigura că sistemul funcționează conform destinației prevăzute. Vă rugăm să luați legătura cu centrul de service Hach care deservește zona dumneavoastră.

8.3 Calibrarea aparatului de măsură pentru un anumit parametru Chemkey

Fiecare Chemkey utilizează parametri de configurare diferiți. Consultați site-ul producătorului pentru informații suplimentare.

1. Introduceți Chemkey-urile necesare încet, dintr-o singură mișcare, în sloturile 1 - 4.
2. Selectați **Main Menu (Meniu principal) >Calibrate (Calibrare)** pentru a începe calibrarea.
3. Selectați Chemkey-ul aplicabil.
4. Introduceți valoarea de ajustare standard aplicabilă.
5. Urmați instrucțiunile de pe ecran pentru a calibra Chemkey-ul.
6. Dacă este necesar, realizați o verificare. Consultați [Verificarea Chemkey](#) de la pagina 305.

8.4 Verificarea sondelor

1. Selectați **Main Menu (Meniu principal) >Verification (Verificare)** pentru a începe verificarea.
2. Selectați dispozitivul aplicabil.
3. Urmați instrucțiunile de pe ecran pentru a efectua verificarea.

*Notă: Pentru a schimba soluția etalon folosită pentru verificare, apăsați pe **Main Menu (Meniu principal) >Settings (Setări) >Probe (Sondă) >[Select Probe] (Selectare sondă) >Verification Options (Opțiuni de verificare) >Standard (Soluție etalon)**.*

8.5 Verificarea Chemkey

Puteți realiza o verificare Chemkey în două moduri. Utilizând un Chemkey specific pentru un anumit parametru sau un Chemkey pentru verificarea sistemului. Consultați [Piese de schimb și accesorii](#) de la pagina 312.

- **Chemkey specific pentru un anumit parametru**

1. Introduceți Chemkey-ul specific pentru un anumit parametru încet, dintr-o singură mișcare, într-unul din sloturile 1 - 4.
2. Apoi selectați **Main Menu (Meniu principal) >Verification (Verificare)** pentru a începe verificarea.
3. Finalizați procesul conform instrucțiunilor din meniuri.

- **Chemkey pentru verificarea sistemului:**

1. Selectați **Main Menu (Meniu principal) >Verification (Verificare)** pentru a începe verificarea.
2. Introduceți Chemkey-ul pentru verificarea sistemului încet, dintr-o singură mișcare, în primul slot.
3. Finalizați procesul conform instrucțiunilor din meniuri.

Secțiunea 9 Jurnal de date

Jurnalul de date prezintă toate măsurătorile salvate.

1. Apăsați pe **Main Menu (Meniu principal) > Data Log (Jurnalizare date)**.
2. Selectați o opțiune.

Opțiune	Descriere
All Logs by Date (Toate jurnalele după dată)	Afișează rezultatele măsurătorilor. Numele sondei, numărul de serie al sondei, valoarea, unitatea, temperatura, ora, data, notele, ID-ul operatorului, ID-ul locației și detaliile de calibrare. Ultima măsurare apare pe ecran. Apăsați săgeata STÂNGA pentru a vedea măsurătorile anterioare.
Current Cal on Probe (Calibrarea curentă a sondei)	Afișează detaliile de calibrare pentru cea mai recentă calibrare. Dacă sonda nu a fost calibrată de utilizator, sunt afișate datele de calibrare din fabrică.

Opțiune	Descriere
Cal History on Probe (Istoricul calibrării sondei)	Afișează o listă a datelor când a fost calibrată sonda. Selectați o dată și oră pentru a vizualiza un rezumat al datelor de calibrare.
Delete Data Log (Ștergere jurnal de date)	Șterge toate datele jurnalizate din aparatul de măsură. Datele dispozitivului vor fi păstrate.

9.1 Importul datelor în Excel

▲ AVERTISMENT



Pericol de electrocutare. Echipamentul conectat în mod extern trebuie să dispună de o evaluare a standardului de siguranță din țara aplicabilă.

Aparatul de măsură stochează jurnalul de date în format XML. ID-ul locației, secvența, data și ora parametrul, valoarea măsurată, unitățile, ID-ul operatorului, numărului slotului, codul de lot Chemkey și numărul de serie al aparatului pot fi stocate într-o foaie de calcul Excel.

1. Porniți aparatul de măsură.
2. Conectați aparatul de măsură la computer cu ajutorul unui cablu USB. Aparatul de măsură va fi detectat de computer ca o unitate de disc cu numele "Hach Portable Parallel Analysis".
3. Deschideți folderul "Data Template" de pe această unitate de disc.
4. Deschideți fișierul "LogTemplate.xlsx".
5. Faceți clic de dreapta pe celula "A2" și selectați XML > Import.
6. Selectați toate fișierele jurnal din folderul "data" de pe unitatea de disc "Hach Portable Parallel Analysis".
7. Faceți clic pe **Import (Importă)**. Jurnalul de date este afișat în foaia de calcul Excel.
8. Salvați fișierul în computer sau pe o unitate de memorie USB dacă este necesar.
9. Deconectați în siguranță aparatul de măsură de la computer. Faceți clic pe săgeata verde "Safely Remove Hardware and Eject Media" (Îndepărtați în siguranță un dispozitiv hardware și deconectați un suport de memorie) din bara de sarcini.
Notă: Anumite pictograme pot fi găsite în "Show hidden icons" (Afișare pictograme ascunse) din bara de sarcini.
10. Deconectați cablul USB de la aparatul de măsură.

9.2 Afișarea datelor într-un browser web

Pentru a afișa datele într-un browser web, urmați pașii descriși în continuare. ID-ul locației, secvența, data și ora, parametrul, valoarea măsurată, unitățile, ID-ul operatorului, numărului slotului, codul de lot Chemkey și numărul de serie al aparatului pot fi afișate într-un browser web.

1. Porniți aparatul de măsură.
2. Conectați aparatul de măsură la computer cu ajutorul unui cablu USB. Aparatul de măsură va fi detectat de computer ca o unitate de disc cu numele "Hach Portable Parallel Analysis".
3. Deschideți folderul "Data" de pe această unitate de disc.
4. Deschideți un fișier jurnal.
 - Deschideți fișierul "LogNN.XML" (NN = cifre de la 0 la 9) în orice browser.
 - În browser, faceți clic pe **File (Fișier) > Open menu (Deschidere meniu)** și navigați la folderul "Data" (Date).
5. Salvați fișierul în computer sau pe o unitate de memorie USB dacă este necesar.

- Deconectați în siguranță aparatul de măsură de la computer. Faceți clic pe săgeata verde "Safely Remove Hardware and Eject Media" (Îndepărtați în siguranță un dispozitiv hardware și deconectați un suport de memorie) din bara de sarcini.
Notă: Anumite pictograme pot fi găsite în "Show hidden icons" (Afișare pictograme ascunse) din bara de sarcini.
- Deconectați cablul USB de la aparatul de măsură.

Secțiunea 10 Întreținere

⚠️ AVERTISMENT



Pericole multiple. Numai personalul calificat trebuie să efectueze activitățile descrise în această secțiune a documentului.

⚠️ ATENȚIE



Pericol de expunere chimică. Respectați procedurile de siguranță în laborator și purtați toate echipamentele de protecție personală adecvate pentru substanțele chimice care sunt manipulate. Consultați fișele tehnice de securitate (MSDS/SDS) pentru protocoalele de siguranță.

⚠️ ATENȚIE



Pericol de expunere chimică. Substanțele chimice și deșeurile trebuie eliminate în conformitate cu reglementările locale, regionale și naționale.

10.1 Curățarea lichidelor vărsate

⚠️ ATENȚIE



Pericol de expunere chimică. Substanțele chimice și deșeurile trebuie eliminate în conformitate cu reglementările locale, regionale și naționale.

- Respectați toate protocoalele de siguranță ale unității care privesc controlul lichidelor vărsate.
- Eliminați deșeurile respectând reglementările aplicabile.

10.2 Curățarea instrumentului

Curățați exteriorul instrumentului cu o lavetă umedă și cu o soluție de săpun delicat, iar apoi uscați instrumentul prin ștergere, dacă este necesar.

10.3 Curățarea și înlocuirea pieselor

În cazul anumitor erori și avertismente, este necesară curățarea sloturilor Chemkey, a ferestrelor optice, a ferestrei pentru coduri de bare, a detectorului de eșantioane sau înlocuirea tăvițelor. Utilizați alcool izopropilic pentru a curăța piesele. Utilizați apă și un detergent neagresiv pentru a curăța ecranul protector. Mișcați aplicatorul cu vârf învelit în vată într-o singură direcție. Consultați [Figura 10](#) pentru a îndepărta capacul de acces la sistemul optic, ecranul protector și tăvițele. Consultați [Figura 11](#) și [Figura 12](#) pentru informații detaliate despre procedura de curățare.

Articole necesare: Aplicator cu vârf învelit în vată, alcool izopropilic, apă și un detergent neagresiv

Figura 10 Demontarea și reasamblarea pieselor

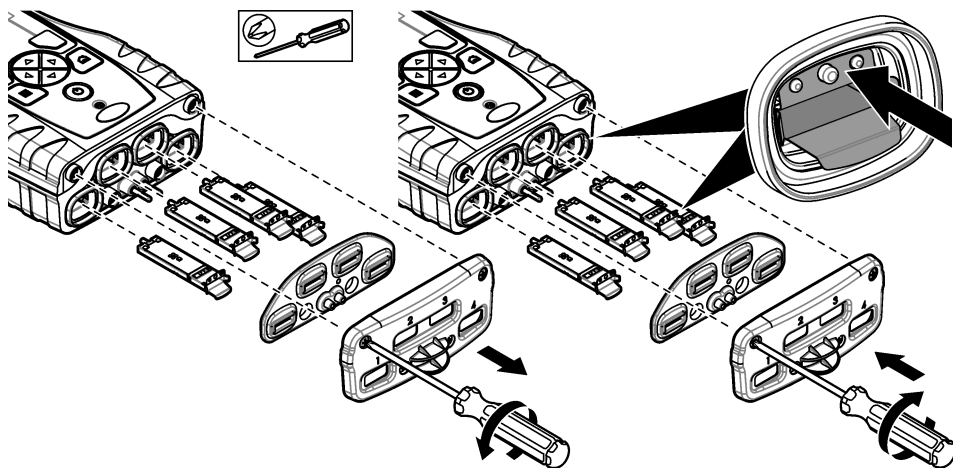
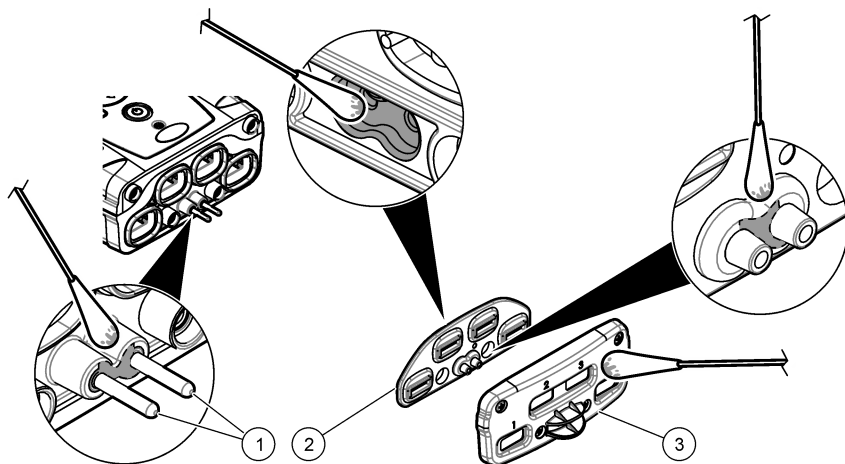


Figura 11 Curățarea detectorului, ecranului protector și capacului de acces

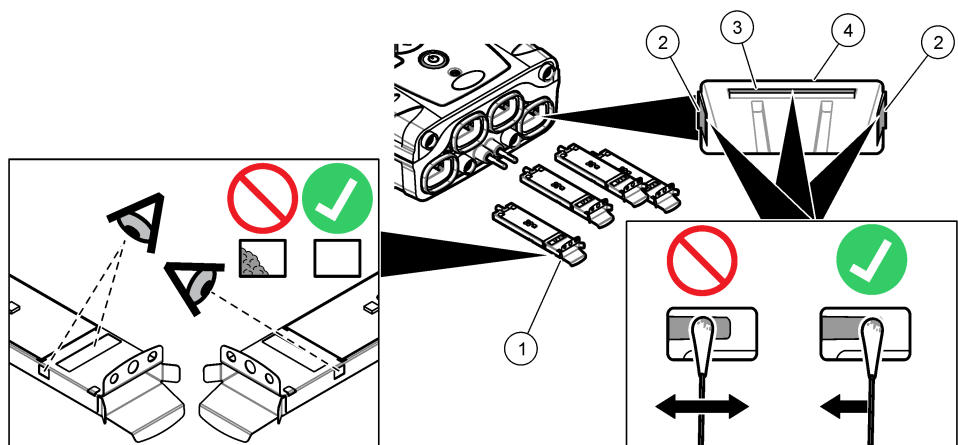


1 Detector de eşantioane

2 Ecran protector

3 Capac de acces la sistemul optic

Figura 12 Curățarea tăvițelor și sloturilor Chemkey



1 Tăviță	3 Fereastră pentru coduri de bare
2 Fereastră optică	4 Slot Chemkey

10.4 Încărcarea sau schimbarea bateriei

Încărcați bateria atuncicând nivelul acesteia este scăzut. Înlocuiți bateria atunci când acesta nu mai păstrează curentul. Utilizați doar bateria specificată, furnizată de producător. Consultați [Instalarea bateriei](#) de la pagina 296 și [Piese de schimb și accesorii](#) de la pagina 312.

10.5 Pregătirea pentru expediere

NOTĂ

Defecțiuni potențiale ale instrumentului. Scurgeți toată apa din aparat înainte de a-l expedia, pentru a preveni deteriorarea acestuia în cazul unor eventuale temperaturi negative.

Contactați departamentul de asistență tehnică pentru instrucțiuni înainte de a expedia aparatul către producător.

- Curățați și decontaminați instrumentul înainte de a-l expedia producătorului.
- Expediați instrumentul cu bateria instalată, dar asigurați-vă că aceasta nu se află în contact cu conectorul.
- Deconectați sondele și îndepărtați Chemkey-urile înainte de expediere.
- Expediați instrumentul în ambalajul original sau într-un ambalaj alternativ sigur.

Secțiunea 11 Depanare

Eroare/Avertisment	Cauză posibilă	Soluție
Barcode read error (Eroare de citire a codurilor de bare) Please reinsert Chemkey(s) (Reintroduceți Chemkey-urile)	Chemkey-ul nu funcționează corect. Chemkey-ul nu este instalat corect.	<ul style="list-style-type: none"> Reintroduceți Chemkey-ul în slot Utilizați un Chemkey nou. Curățați fereastra de citire a codurilor de bare. Consultați Figura 12 de la pagina 309. Dacă problema persistă, adresați-vă serviciului de asistență tehnică.
Sample aspirated error. (Eroare de aspirare a probei)	Chemkey-ul nu funcționează corect. Chemkey-ul nu este complet introdus în slot.	Utilizați un Chemkey nou și introduceți-l în slot până la capăt. Dacă problema persistă, adresați-vă serviciului de asistență tehnică.
Chemkey Leaked. (Chemkey scurs) Try another (Încercați altul)		
Chemkey expired (Chemkey expirat)	Durata de utilizare a Chemkey-ului a expirat.	
Measurement Error (1–4) (Eroare de măsurare)	A survenit o eroare de măsurare la slotul specificat.	
Parametru neacceptat	Parametrul nu este disponibil în software-ul instrumentului instalat.	Actualizați software-ul instrumentului. Căutați „SL 1000” pe www.hach.com . Mergeți la secțiunea Downloads>Software/Firmware (Descărcări>Software/Firmware) și urmați instrucțiunile de pe site-ul web.
Used Chemkey—Replace (Chemkey uzat - Înlocuiți)	Chemkey-ul a fost deja utilizat sau există apă în slot.	Utilizați un Chemkey nou. Dacă problema persistă, uscați slotul și instrumentul și încercați din nou. Dacă problema persistă, adresați-vă serviciului de asistență tehnică.
Tray leaked. (Scurgere în tăviță.) Replace tray. (Înlocuiți tăvița.)	A survenit o problemă cu tăvița de măsurare.	Înlocuiți tăvița. Consultați Figura 10 de la pagina 308. Dacă problema persistă, adresați-vă serviciului de asistență tehnică.
Heater Error (Eroare de încălzire) Replace Tray (Înlocuiți tăvița)	Tăvița nu funcționează corect.	
Remove from sample. (Extrageți aparatul din eșantion.)	Aparatul a fost introdus în eșantion înainte de a fi gata.	Așteptați ca aparatul să fie gata, înainte de a-l introduce în eșantion.
Sample removed too soon (Probă scoasă prea devreme)		Introduceți alt Chemkey în slot. Așteptați ca aparatul să fie gata, înainte de a-l introduce în eșantion.
Too much time in sample (Prea mult timp petrecut în probă)	Chemkey-urile au fost lăsate în eșantion prea mult. A survenit o eroare de măsurare.	Extrageți Chemkey-urile imediat ce vi se indică acest lucru.
	Zona cu pini a detectorului este murdară, dacă avertismentul apare în timp ce aparatul nu este introdus în eșantion.	Curățați zona cu pini a detectorului. Consultați Curățarea și înlocuirea pieselor de la pagina 307. Dacă problema persistă, adresați-vă serviciului de asistență tehnică.
Over Range (Peste interval)	Concentrația depășește limita superioară a metodei actuale.	Diluati eșantionul și reluați măsurarea.
Under Range (Sub interval)	Concentrația este mai mică decât limita inferioară a metodei actuale.	—

Eroare/Avertisment	Cauză posibilă	Soluție
Tray too cold. (Tăviță prea rece.)	Aparatul are o temperatură prea mică pentru a putea încălzi tăvița sau sistemul de încălzire nu funcționează.	Mutați aparatul într-o zonă mai caldă și reluați măsurarea. Înlocuiți tăvița.
Tray too hot. (Tăviță prea fierbinte.)	Aparatul are o temperatură prea ridicată pentru a putea efectua o măsurătoare corectă.	Reduceți temperatura aparatului sau mutați-l într-o zonă mai răcoasă.
Too much ambient light. (Prea multă lumină ambiantă.) Insert Chemkey in darker environment (Introduceți Chemkey într-un mediu mai întunecat)	Lumina ambientală este prea puternică pentru a citire corectă a codului de bare.	Mutați aparatul într-o zonă mai întunecoasă și reintroduceți Chemkey-ul în slot.
Low Light. Clean Chemkey slot. (Lumină insuficientă. Curățați slotul Chemkey.)	Chemkey-ul nu funcționează corect. Chemkey-ul nu este instalat corect.	<ul style="list-style-type: none"> • Reintroduceți Chemkey-ul în slot dintr-o singură mișcare. • Utilizați un Chemkey nou. • Curățați slotul Chemkey. Consultați Figura 12 de la pagina 309. • Dacă problema persistă, adresați-vă serviciului de asistență tehnică.
Instrument requires service. (Instrumentul necesită service.)	Un modul este defect.	Utilizați module care funcționează corect. Contactați serviciul de asistență tehnică pentru a repara modulul defect.
Sample not found. (Proba nu a fost găsită.)	<ul style="list-style-type: none"> • Recipientul de analiză nu este umplut până la linie. • Conductivitatea eșantionului este mai mică de 2 μS/cm. 	<ul style="list-style-type: none"> • Verificați dacă recipientul de analiză este umplut până la linie. • Conductivitatea eșantionului trebuie să fie mai mare de 2 μS/cm. • Curățați detectorul. Consultați Figura 11 de la pagina 308. • Dacă problema persistă, adresați-vă serviciului de asistență tehnică.

11.1 Realizarea unei verificări de diagnosticare

Meniul de diagnosticare conține informații despre versiunile curente ale aparatului de măsură și opțiunea de formatare a cardului de memorie.

1. Apăsăți pe **Main Menu (Meniul principal) > Diagnostics (Diagnosticare)**.
2. Selectați o opțiune.

Opțiune	Descriere
Disc space (Spațiu pe disc)	Afișează spațiul din memoria disponibilă pentru utilizare și memoria internă.
Config Versions (Versiuni configurație)	Afișează versiunile configurației setărilor aparatului de măsură.
Method Versions (Versiuni metodă)	Afișează versiunile metodei aparatului de măsură.
Format Memory (Formatare memorie)	Șterge toate datele de pe aparatul de măsură. Notă: Toate datele de pe aparatul de măsură (configurația, ID-urile locațiilor, ID-urile operatorilor, rutele, notele, șabloanele etc.) vor fi pierdute dacă este rulat opțiunea Format Memory (Formatare memorie) .

Secțiunea 12 Piese de schimb și accesorii

⚠️ AVERTISMENT



Pericol de vătămare corporală. Utilizarea pieselor neaprobate poate cauza vătămare corporală, deteriorarea instrumentului sau defectarea echipamentului. Piesele de schimb din această secțiune sunt aprobate de producător.

Notă: Numerele pentru produs și articol pot varia în anumite regiuni de comercializare. Contactați distribuitorul respectiv sau consultați site-ul Web al companiei pentru informațiile de contact.

Consultați secțiunea Piese de schimb și accesorii din versiunea extinsă a manualului.

Turinys

- | | |
|--|--|
| 1 Internetinis naudotojo vadovas Puslapyje 313 | 7 Įprastas naudojimas Puslapyje 321 |
| 2 Techniniai duomenys Puslapyje 313 | 8 Kalibravimas Puslapyje 325 |
| 3 Bendrojo pobūdžio informacija Puslapyje 314 | 9 Duomenų byla Puslapyje 326 |
| 4 Montavimas Puslapyje 316 | 10 Techninė priežiūra Puslapyje 328 |
| 5 Naudotojo sąsają ir naršymas Puslapyje 318 | 11 Trikių šalinimas Puslapyje 331 |
| 6 Paleidimas Puslapyje 320 | 12 Atsarginės dalys ir priedai Puslapyje 332 |

Skyrius 1 Internetinis naudotojo vadovas

Pagrindiniame naudotojo vadove yra mažiau informacijos negu Naudotojo vadove, kurį galima rasti gamintojo svetainėje.

Skyrius 2 Techniniai duomenys

Techniniai duomenys gali būti keičiami neperspėjus.

Specifikacija	Išsami informacija
Matmenys (P x G x A) (plotis x gylis x aukštis)	13,08 x 5,89 x 25,83 cm (5,15 x 2,32 x 10,17 col.)
Korpuso klasė	IP64 su uždengtais matuoklio zondo jungčių prievadų dangteliais arba su prie prietaiso prijungtais zondais
Svoris	1,2 kg (2,7 lb)
Maitinimo reikalavimai (naudojant baterijas)	Ličio jonų įkraunamoji baterija, 7.4V, 5.0Ah (5000mAh)
Maitinimas (naudojant išorinį šaltinį)	100V–240 V AC, 50/60 Hz įvestis, 12 V esant 3 A išvestis
Darbinė temperatūra (iškrovimo)	5–50° C (41–122° F), ne didesnis nei 85 % santykinis oro drėgnumas be kondensacijos
Įkrovimo temperatūra	5–45° C (41–113° F), ne didesnis nei 85 % santykinis oro drėgnumas be kondensacijos
Laikymo temperatūra	Nuo –20 iki 60° C (nuo –4 iki 140° F), ne didesnis nei 85 % santykinis oro drėgnumas be kondensacijos
Sąsaja	USB miniprievadas
5 kontaktų įvesties jungtis	Dvi M12 jungtys „IntelliCal“ zondams
Išorinio maitinimo šaltinio jungtis	2,5 mm kištukas
„Chemkey“ angos	4
Duomenų atmintinė	1000 išmatuotų verčių (rezultatas, data, laikas, vietos ID, naudotojo ID)
Duomenų saugykla	Automatinis režimu „Press to Read“ (Paspausti nuskaitymui). Rankinis nepertraukiamo nuskaitymo režimu
Temperatūros koregavimas (zondams „IntelliCal™“)	Išjungta, automatinis ir rankinis (priklauso nuo parametro)
Matavimų rodmenų užraktas (zondams „IntelliCal™“)	Režimas „Press to Read“ (Paspausti nuskaitymui) ir nepertraukiamo nuskaitymo režimas.
Apsaugos klasė	III
Sertifikatai	CE, UKCA, FCC, ISED, RCM, KC
Garantija	1 metai

Skyrius 3 Bendrojo pobūdžio informacija

Gamintojas jokiū būdu nebus atsakingas už žalą, atsiradusią dėl netinkamo gaminio naudojimo arba vadove pateiktų instrukcijų nesilaikymo. Gamintojas pasilieka teisę bet kada iš dalies pakeisti šį vadovą ir jame aprašytus produktus nepranešdamas apie keitimą ir neprisiimdamas įsipareigojimų. Pataisytuosius leidimus rasite gamintojo žiniatinklio svetainėje.

3.1 Saugos duomenys

Gamintojas nėra atsakingas už jokiū nuostolius dėl netinkamo šio gaminio taikymo ar naudojimo, įskaitant tiesioginius, atsitiktinius ir šalutinius nuostolius, bet tuo neapsiribojant, ir nepripažįsta jokios atsakomybės už tokiū nuostolius, kiek tai leidžia galiojantys įstatymai. Tik naudotojas yra atsakingas už taikymo lemiamo pavojaus nustatymą ir tinkamų mechanizmų procesams apsaugoti per galimą įrangos triktį įrengimą.

Perskaitykite visą šį dokumentą prieš išpakuodami, surinkdami ir pradėdami naudoti šį įrenginį. Atkreipkite dėmesį į visus įspėjimus apie pavojų ir atsargumo priemones. Priešingu atveju įrenginio naudotojas gali smarkiai susižeisti arba sugadinti įrenginį.

Įsitinkinkite, kad šio įrenginio apsauga nepažeista. Nenaudokite ir nemontuokite šio įrenginio kitokiu būdu, nei nurodyta šiame vadove.

3.1.1 Informacijos apie pavojų naudojimas

▲ PAVOJUS

Žymi galimą arba neišvengiamą pavojingą situaciją, į kurią pakliuvus galima mirtinai ar stipriai susižeisti.

▲ ĮSPĖJIMAS

Žymi galimą arba neišvengiamą pavojingą situaciją, kurios nevengiant gali grėsti mirtis ar stiprus sužeidimas.

▲ ATSARGIAI



Žymi galimą pavojingą situaciją, dėl kurios galima lengvai ar vidutiniškai susižeisti.

PASTABA

Žymi situaciją, kurios neišvengus gali būti sugadintas prietaisas. Informacija, kuriai reikia skirti ypatingą dėmesį.

3.1.2 Apie pavojų perspėjančios etiketės

Perskaitykite visas prie prietaiso pritvirtintas etiketes ir žymas. Nesilaikant nurodytų įspėjimų galima susižaloti arba sugadinti prietaisą. Simbolis, kuriuo pažymėtas prietaisas, vadove yra nurodytas su įspėjamuoju pareiškimu.

	Šis simbolis, jeigu juo pažymėtas įtaisas, reiškia, kad turite skaityti naudojimo vadovą ir (arba) saugos informaciją.
	Šiuo simboliu pažymėto elektros įrenginio negalima išmesti namų arba viešosiose atliekų išmetimo vietose Europoje. Nemokamai grąžinkite nebenaudojamą įrangą gamintojui, kad ji būtų再利用uota.

3.1.3 Sertifikavimas

EN 55011/CISPR 11 įspėjamasis pranešimas

Tai yra A klasės gaminys. Buitinėje aplinkoje šis gaminys gali kelti radijo trukdžius, tokiu atveju naudotojui gali tecti imtis atitinkamų priemonių.

Kanados taisyklės dėl radijo trukdžius keliančios įrangos, ICES-003, A klasė:

Tai patvirtinančių patikrinimų dokumentų teirautis gamintojo.

A klasės skaitmeninis įtaisas atitinka visus Kanados taisyklių dėl radijo trukdžius keliančios įrangos reikalavimus.

Cet appareil numérique de classe A répond à toutes les exigences de la réglementation canadienne sur les équipements provoquant des interférences.

FCC 15 dalis, A klasės apribojimai

Tai patvirtinančių patikrinimų dokumentų teirautis gamintojo. Šis prietaisas atitinka FCC taisyklių 15 dalies reikalavimus. Naudojimui taikomos šios sąlygos:

1. Įranga negali kelti kenksmingų trukdžių.
2. Ši įranga turi priimti visus gaunamus trukdžius, įskaitant tuos, dėl kurių prietaisas veiks netinkamai.

Šios įrangos pakeitimai arba modifikacijos, kurios nėra tiesiogiai patvirtintos už atitiktą atsakingos šalies, gali panaikinti naudotojo teisę naudotis šia įranga. Ši įranga yra patikrinta ir nustatyta, kad ji atitinka A klasės skaitmeninių prietaisų apribojimuose keliamus reikalavimus pagal FCC taisyklių 15 dalį. Šie apribojimai taikomi siekiant suteikti tinkamą apsaugą nuo žalingųjų trukdžių poveikio, kai įranga yra naudojama komercinėse patalpose. Ši įranga sukuria, naudoja ir skleidžia radijo bangų energiją ir, jei naudojama nesilaikant naudotojo instrukcijoje pateiktų nurodymų, gali kelti radijo ryšio žalinguosius trukdžius. Šią įrangą naudojant gyvenamosiose patalpose gali būti keliami žalingieji trukdžiai ir tokiu atveju naudotojas juos turės pašalinti savo lėšomis. Norėdami sumažinti trukdžius, galite pasinaudoti šiais būdais:

1. Atjunkite įrangą nuo maitinimo šaltinio ir patikrinkite, ar jis yra trukdžių šaltinis.
2. Jei įranga prijungta prie to paties maitinimo lizdo kaip ir trukdžius patiriantis prietaisas, prijunkite įrangą prie kito maitinimo lizdo.
3. Perkelkite įrangą toliau nuo trukdžius patiriančio prietaiso.
4. Trukdžius patiriančio prietaiso anteną pastatykite kitoje vietoje.
5. Pabandykite derinti anksčiau pateiktus būdus.

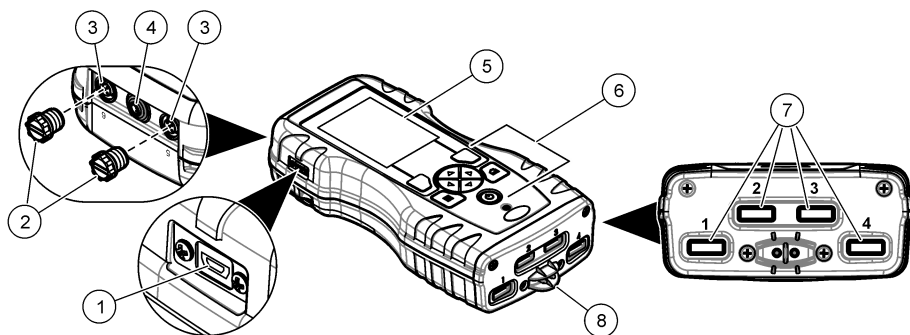
3.2 Gaminio apžvalga

SL1000 nešiojamasis lygiagretusis analizatorius geriamojo vandens ar kito švaraus vandens įrengimuose vienu metu išmatuoja iki šešių parametrų. Įvairiems vandens parametrams išmatuoti matuoklis naudoja „Chemkeys®“ ir skaitmeninius „IntelliCAL™“ zondus. Matuoklis automatiškai įdėto nustato „Chemkey“ tipą arba prie matuoklio prijungto zondo tipą.

Matuoklis matavimams gali naudoti iki keturių „Chemkey“ ir ne daugiau dviejų zondų. Žr.

[Paveikslėlis 1.](#)

Paveikslėlis 1 Gaminio apžvalga



1 USB miniprievadas	5 Ekranas
2 Zondo jungčių prievadų dangteliai	6 Klaviatūra
3 Zondo jungčių prievada	7 „Chemkey“ angos
4 Maitinimo priegios prievadas	8 Mėginių detektorius

3.3 Gaminio sudedamosios dalys

Įsitinkinkite, kad gavote visas sudedamąsias dalis. Žiūrėkite pateiktus dokumentus. Aptikę, kad dalių trūksta ar jos yra apgadintos, nedelsdami susisieki su gamintoju ar prekybos atstovu.

Skyrius 4 Montavimas

⚠ ĮSPĖJIMAS



Įvairūs pavojai. Šiame dokumento skyriuje aprašytas užduotis turi vykdyti tik kvalifikuoti darbuotojai.

4.1 Lithium battery safety

⚠ ĮSPĖJIMAS



Gaisro ir sprogdimo pavojus. Netinkamai naudojamoms ličio baterijoms gali įkaisti, sprogti arba užsidegti ir sukelti sunkių sužalojimų.

- Nenaudokite baterijos, jei matomi jos pažeidimai.
- Nenaudokite baterijos, jei ji patyrė stiprų smūgį arba vibraciją.
- Nemeskite baterijų į ugnį.
- Laikykite baterijas ne aukštesnėje kaip 60 °C (140 °F) temperatūroje.
- Laikykite baterijas sausas ir atokiai nuo vandens.
- Neleiskite susiliesti neigiamai ir teigiamai baterijos jungtims.
- Neleiskite baterijos liesti leidimo neturintiems asmenims.
- Bateriją išmeskite vadovaudamiesi vietos, regiono ir nacionaliniais reglamentais.
- Nenaudokite ir nelaikykite prietaiso tiesioginėje saulėkaitoje, šalia šilumos šaltinio ar aukštos temperatūros aplinkoje, pvz., uždarytoje transporto priemonėje, kuri stovi tiesioginėje saulėkaitoje.

4.2 Baterijos įdėjimas

⚠️ ĮSPĖJIMAS



Gaisro ir sprogimo pavojus. Šioje įrangoje yra didelės energijos ličio baterija, kuri gali užsidegti ir sukelti gaisrą arba sprogimą (net kai netiekiamas maitinimas). Norėdami išlaikyti saugumą, kurį užtikrina prietaiso gaubtas, privalote uždėti prietaiso gaubto dangtelius ir juos pritvirtinti naudodami pateiktą aparatinę įrangą.



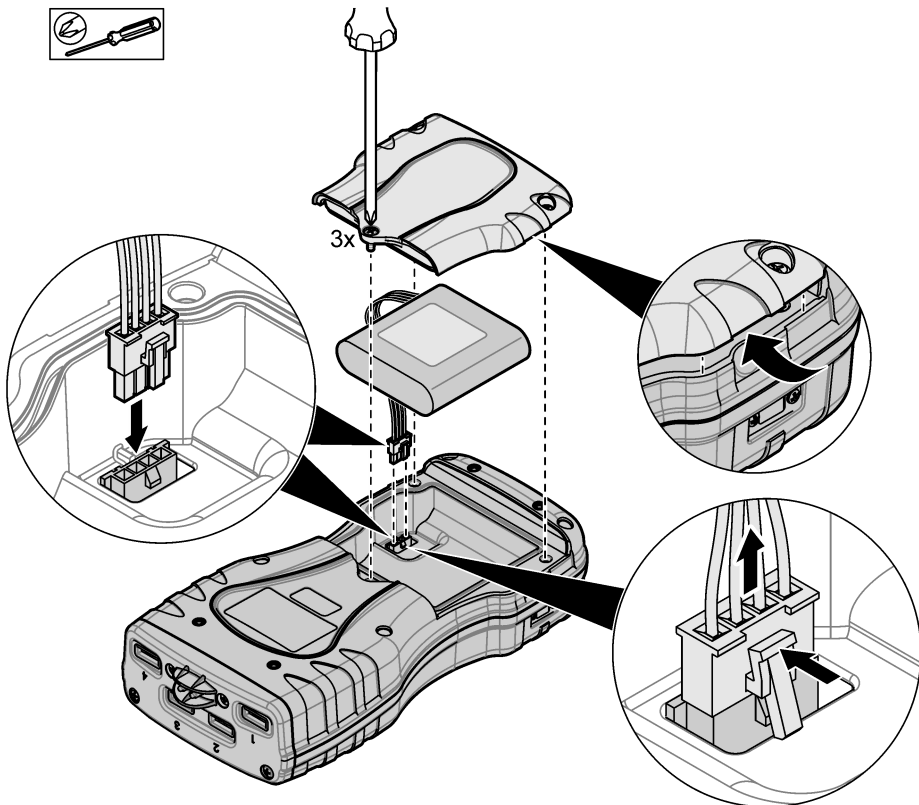
⚠️ ĮSPĖJIMAS



Sprogimo ir gaisro pavojus. Neleidžiama pakeisti baterijos jos pakaitalu. Naudokite tik prietaiso gamintojo tiekiamą ličio jonų įkraunamą bateriją. Apie baterijos įdėjimą ir išėmimą žr. [Paveikslėlis 2](#).

Naudokite tik gamintojo tiekiamą ličio jonų įkraunamą bateriją. Apie baterijos įdėjimą ir išėmimą žr. [Paveikslėlis 2](#).

Paveikslėlis 2 Baterijos įdėjimas ir išėmimas



4.3 Baterijos įkrovimas

⚠ ĮSPĖJIMAS



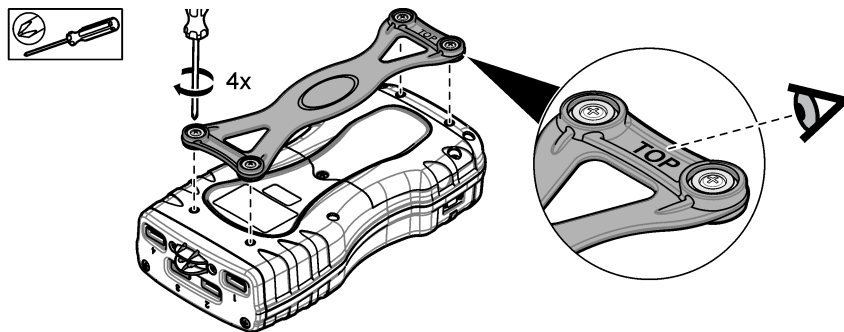
Gaisro pavojus. Naudokite tik šiam prietaisui nurodytą išorinį maitinimo tiekimo bloką.

1. Prijunkite išorinį maitinimo šaltinį prie kintamosios srovės elektros tinklo lizdo.
2. Prijunkite išorinį maitinimo šaltinį prie matuoklio maitinimo lizdo. Žr. [Gaminio apžvalga](#) Puslapyje 315.
 - Kol baterija įkraunama, prietaisą galima naudoti.
 - Išorinio maitinimo šaltinio pakaitalai neleidžiami. Naudokite tik prietaiso dalių ir priedų sąrašė nurodytą išorinį maitinimo šaltinį. Žr. [Atsarginės dalys ir priedai](#) Puslapyje 332.
 - Neįkraukite baterijos daugiau kaip 24 valandas.

4.4 Riešo dirželio pritvirtinimas.

Pritvirtinkite riešo dirželį, kad saugiai laikytumėte matuoklį. Žr. [Paveikslėlis 3](#).

Paveikslėlis 3 Riešo dirželio pritvirtinimas

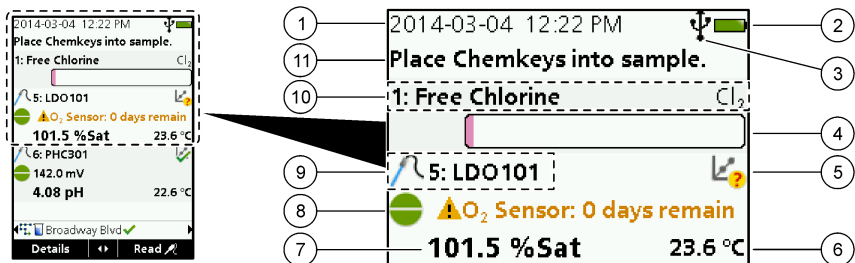


Skyrius 5 Naudotojo sąsąją ir naršymas

5.1 Rodinio aprašymas

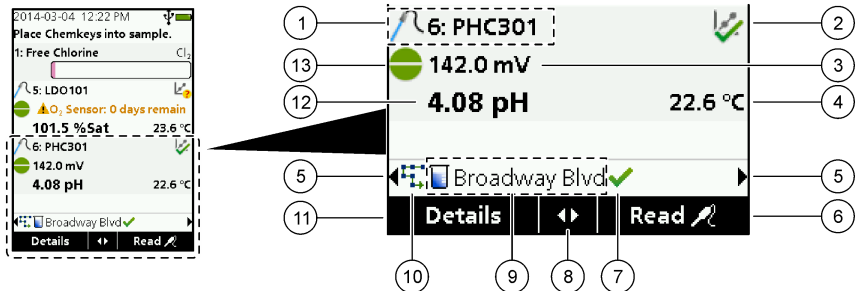
Matavimo ekrano aprašymą žr. [Paveikslėlis 4](#) ir [Paveikslėlis 5](#).

Paveikslėlis 4 Matavimo ekranas (viršutinė dalis)



1 Data ir laikas	7 Pirminė matavimo vertė (naudotojo pasirinktas parametras)
2 Baterijos būsena	8 Stabilumo piktograma su įspėjamąja piktograma ir įspėjamuoju pranešimu
3 USB (COM prievado) aktyvaus ryšio piktograma, kai pasirenkama ryšio klasė	9 Zondo piktograma, prievado numeris, parametras arba zondo pavadinimas
4 Eigos juosta (nebaigtas matavimas)	10 Lizdo numeris, parametro pavadinimas arba cheminis simbolis
5 Kalibravimo būsenos piktograma (neteisingas kalibravimas)	11 Labai svarbus pranešimas įrenginiams (vėliau rodoma klaida ir įspėjamasis pranešimas)
6 Antrinis matavimas (naudotojo pasirinktas parametras)	

Paveikslėlis 5 Matavimo ekranas (apatinė dalis)

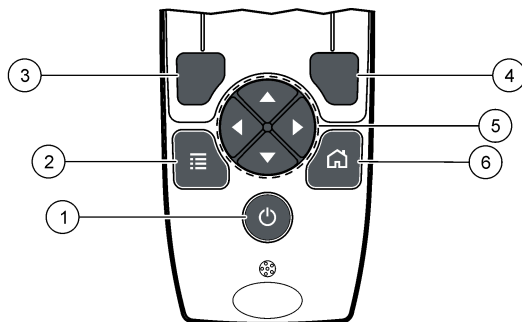


1 Zondo piktograma, prievado numeris, parametras arba zondo pavadinimas	8 Aktyvieji rodyklių klavišai
2 Kalibravimo būsenos piktograma (teisingas kalibravimas)	9 Vietos ID piktograma ir vietos pavadinimas
3 Antrinė matavimo vertė (naudotojo pasirinktas parametras)	10 Maršrutų piktograma (rodoma, kai įjungti maršrutai)
4 Tretinė matavimo vertė (naudotojo pasirinktas parametras)	11 Parinkty (kontekstinės: išsamiau, išeiti, atšaukti, pasirinkti, panaikinti žymėjimą)
5 Dešinioji ir kairioji rodyklės atitinkamam vietos ID pasirinkti	12 Pirminė matavimo vertė (naudotojo pasirinkta)
6 Parinkty (kontekstinės: skaityti, pasirinkti, gerai, ištrinti)	13 Stabilumo piktograma
7 Žymimoji varnelė: matavimas vietoje atliktas	

5.2 Klaviatūros mygtukų aprašymas

Klaviatūros mygtukų aprašymą ir informaciją apie naršymą žr. [Paveikslėlis 6](#).

Paveikslėlis 6 Klaviatūros mygtukų aprašymas



1 Mygtukas POWER (Maitinimas)	4 DEŠINYSIS parinkimo klavišas (kontekstinis): skaityti mėginius, ištrinti, pasirinkti arba patvirtinti parinktis, pagalbinių meniu atvėrimas
2 Mygtukas MAIN MENU (Pagrindinis meniu): pasirinkti patikrinimą, kalibravimą, maršrutus, nuostatas, duomenų bylą, informaciją, diagnostiką, operatoriaus ID ir vietos ID	5 Naršymo klavišai AUKŠTYN, ŽEMYN, DEŠINĖN, KAIRĖN ¹ : slinkti per meniu, įvesti skaičius ir raides.
3 KAIRYSIS parinkimo klavišas (kontekstinis): išsamiau, pasirinkti / panaikinti žymėjimą, atsisakymas arba išėjimas iš esamo meniu ekrano į ankstesnįjį	6 HOME (Pagrindinis): pereinama į pagrindinį matavimo rodinį.

Skyrius 6 Paleidimas

6.1 Įjunkite maitinimą.

Paspauskite mygtuką **POWER** (Maitinimas), kad įjungtumėte arba išjungtumėte matuoklį. Jei matuoklis neįsijungia, patikrinkite, ar baterija įdėta tinkamai.

6.2 Kalbos keitimas

Ekrano kalbą pasirinkite, kai matuoklis įjungiamas pirmąjį kartą. Kalbą pakeiskite per meniu **Settings** (Nuostatos).

1. Paspauskite **Settings > Language** (Nuostatos > Kalba).
2. Pasirinkite tinkamą kalbą.

6.3 Datos ir laiko keitimas

Yra dvi parinktys datai ir laikui bei formatui nustatyti.

- Datą ir laiką nustatykite, kai matuoklis įjungiamas pirmąjį kartą.
- Datą ir laiką nustatykite naudodami datos ir laiko meniu.

1. Pasirinkite **Settings>Meter>Date & Time** (Nuostatos > Matuoklis > Data ir laikas).
2. Rodyklių klavišais pasirinkite datos ir laiko formatą ir įveskite informaciją apie esamą laiką ir datą. Esama data ir laikas bus rodomi ekrane ir užregistruotuose matavimo duomenyse.

¹ AUKŠTYN, ŽEMYN: slinkti per matavimus, kai jų yra daugiau kaip keturi; DEŠINĖN, KAIRĖN: slinkti per operatoriaus ir mėginių ID

Skyrius 7 Įprastas naudojimas

7.1 Operatoriaus ID naudojimas

Operatoriaus ID žymė susieja matavimus su konkrečiu operatoriumi. Visi išsaugoti duomenys turės operatoriaus ID.

Norėdami lengvai valdyti operatoriaus ID, naudokite internetinę programą „tool.htm“. Daugiau informacijos rasite gamintojo interneto svetainėje.

1. Spauskite **Main Menu>Operator ID** (Pagrindinis meniu > Operatoriaus ID).
2. Pasirinkite parinktį.

Parinktis	Aprašymas
Mode (Režimas)	Ijunkite arba išjunkite (numatytoji parinktis) operatoriaus ID funkciją.
Select (Pasirinkti)	Pasirinkite ID iš sąrašo. Dabartinis ID bus susietas su mėginio duomenimis tol, kol bus pasirinktas kitas ID. Naudokite rodykles AUKŠTYN arba ŽEMYN, kad pasirinktumėte operatoriaus ID pagrindiniame ekrano rodynyje. Operatoriaus ID galima pasirinkti matavimo rodynyje prieš įvedant į lizdą „Chemkey“ arba prijungiant zoną.
Create (Sukurti)	Įvedamas naujojo operatoriaus ID pavadinimas.
Delete (Ištrinti)	Panaikinamas esamas operatoriaus ID.

7.2 Naudokite vietos ID

Pasirinkite vietos ID žymę, kad susietumėte matavimus su konkrečiu mėginiu arba su vieta. Saugomi duomenys turės šį ID, jei jis bus tiems duomenims priskirtas.

Norėdami lengvai valdyti vietos ID, naudokite internetinę programą „tool.htm“. Daugiau informacijos rasite gamintojo interneto svetainėje.

1. Spauskite **Main Menu>Site ID** (Pagrindinis meniu > Vietos ID).
2. Pasirinkite parinktį.

Parinktis	Aprašas
Mode (Režimas)	Nustatykite vietos ID funkciją kaip rankinę, automatinę, išjungtą ar maršrutų. Manual (Rankinis): pasirinkite vietos ID ranka. Auto (Automatinis): mėginiai yra sunumeruojami kiekvieno matavimo sekos tvarka, kol nepasirenkamas kitas ID. Off (Išjungta): vietos ID funkcija išjungta (numatytoji parinktis). Routes (Maršrutai): visų vietų ID sąrašo poaibis tam tikra tvarka.
Select (Pasirinkti)	Pasirinkite ID iš sąrašo. Esamas ID bus susietas su mėginio duomenimis tol, kol bus pasirinktas kitas ID. Nustatykite Site ID>Show (Vietos ID > Rodyti) kaip „Yes“ (Taip). DEŠINIĄJA arba KAIRIĄJA rodykle matavimo rodynyje pasirinkite esamos vietos ID. Įsitikinkite, kad Site ID>Show (Vietos ID > Rodyti) nustatyta kaip „Yes“ (Taip) ir kad bent vienas „Chemkey“ yra lizde arba yra prijungtas zondas.
Create (Sukurti)	Pridėti naują vietos ID.
Delete (Ištrinti)	Ištrinti esamus vietos ID. Pastaba: <i>Būtinai pasirinkite režimą Manual (Rankinis), kad ištrintumėte vietos ID.</i>
Show (Rodyti)	Matavimų rodynyje rodomas vietos ID. Galima įjungti arba išjungti.
Routes (Maršrutai)	Pateikiamas vietos ID sąrašas tam tikra tvarka. Jei pasirenkamas maršrutas, vietos ID automatiškai rodomi matavimų ekrane ir įrašomi. Paspauskite DEŠINIĄJA rodyklę, kad pasirinktumėte kitą vietą. Maršrutams nustatyti naudokite programą „tool.htm“. Daugiau informacijos rasite gamintojo interneto svetainėje.
Pastabos	Įrašykite specialią informaciją ir įtraukite šią informaciją į įvykių bylą.

7.3 Atlikite „Chemkey“ matavimus

PASTABA

Nepradėkite naujo „Chemkey“ matavimo, kol dar nebaigti kiti „Chemkey“ matavimai. „Chemkey“ matavimui matuoklį į mėginį įdėkite tik vieną kartą.

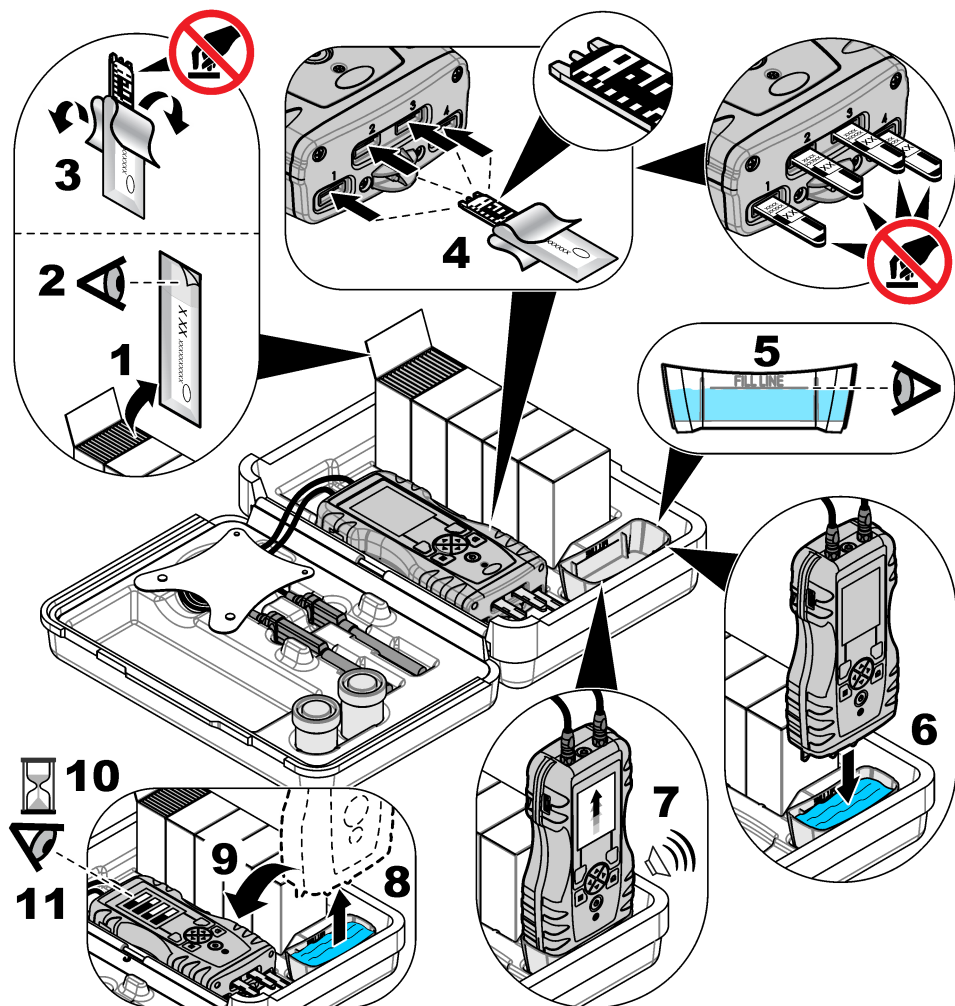
Norėdami baigti matavimą su „Chemkey“, atlikite toliau aprašytą procedūrą. Žr. [Paveikslėlis 7](#). Vienu metu galima užbaigti kelių zondų matavimus. Žr. [Atlikite zondo matavimus](#) Puslapyje 324.

1. Įjunkite matuoklį.
2. Jei būtinas visiškas atsekamumas, prieš matuodami įveskite vietos ID ir operatoriaus ID. Žr. [Operatoriaus ID naudojimas](#) Puslapyje 321 ir [Naudokite vietos ID](#) Puslapyje 321.
3. Vienu judesiu iki galo įstumkite taikytiną „Chemkey“ į 1–4 lizdą (-us). Būtinai kiekvienam naujam matavimui naudokite naują „Chemkey“. Svarbu „Chemkey“ įstumti iki pat galo į lizdą. Kai „Chemkey“ yra lizde, „Chemkey“ nejudinkite ir nelieskite.²
4. Praskalaukite mėginių indelį mėginiu.
5. Į matuoklio mėginių indelį iki pildymo linijos pripilkite mėginio.
6. Įdėkite matuoklį į mėginių indelį.
7. Palaukite garsinio signalo ir (arba) matuoklio išėmimo animacijos (nuo 1 iki 2 sekundžių), tada nedelsdami ištraukite matuoklį iš mėginių indelio. Gražinkite matuoklį į dėklą ir laukite, kol bus baigtas matavimas. Parametrų reakcijos laikas yra skirtingas. Ekране rodoma eigos juosta ir iki matavimo pabaigos likęs laikas.
8. Ekране rodomos matavimo vertės.

Pastaba: Jei pasirodo klaida, paspauskite **Details** (Išsamiau), kad gautumėte daugiau informacijos.

² Norint išmatuoti be amoniako, reikalingas monochloramino „Chemkey“ ir beamoniakis „Chemkey“.

Paveikslėlis 7 „Chemkey“ mėginių matavimas



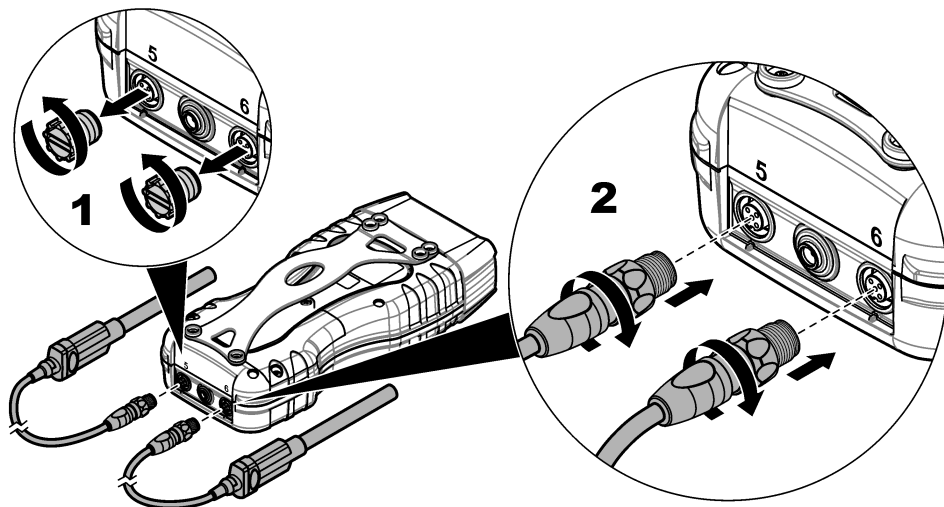
7.4 Prijunkite zondą

PASTABA

Neišmeskite zondo jungčių lizdų dangtelių. Būtinai uždėkite zondo jungčių lizdų dangtelius, kai zondai neprijungti.

Įsitinkite, kad ekrane rodomas esamas laikas ir data, ir prijunkite zondą prie matuoklio. Žr. [Paveikslėlis 8](#).

Pastaba: Zondui skirta laiko žyma yra nustatoma pirmą kartą prijungus zondą prie matavimo prietaiso. Laiko žymoje galima registruoti zondo veiksmus ir matavimų laiką.



7.5 Atlikite zondo matavimus

Atlikite toliau nurodytą procedūrą, kad išmatuotumėte su zondų (-ais). Žr. [Paveikslėlis 9](#). Vienu metu galima užbaigti kelių „Chemkey“ matavimus. Žr. [Atlikite „Chemkey“ matavimus](#) Puslapyje 322.

1. Prieš pradėdami naudoti, zondus sukalibruokite. Žr. [Zondo kalibravimas](#) Puslapyje 325.

Pastaba: Didėsiam tikslumui zondus kalibruokite kasdien.

2. Prieš prijungdami zondą, nustatykite tinkamą datą ir laiką. Žr. [Datos ir laiko keitimas](#) Puslapyje 320.

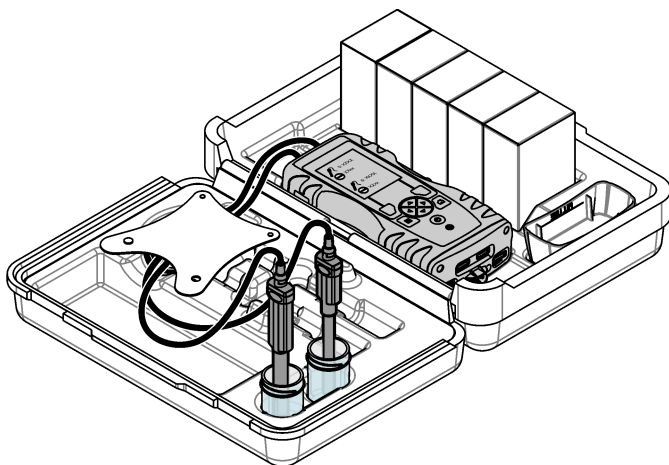
Ant zondo turi būti tinkama eksploatacavimo trukmės žymė.

3. Jei būtinas visišką atsekamumą, prieš matuodami įveskite vietos ID ir operatoriaus ID. Žr. [Operatoriaus ID naudojimas](#) Puslapyje 321 ir [Naudokite vietas ID](#) Puslapyje 321.

4. Nuimkite zondo jungčių lizdų dangtelius ir prijunkite zondą (-us). Apie zondo prijungimą žr. [Paveikslėlis 8](#) Puslapyje 324.

Pastaba: Neišmeskite zondo jungčių lizdų dangtelių. Kai nebus prijungtų zondų, zondo jungčių lizdų dangtelius vėl uždėkite.

5. Praskalaukite mėginių kolbas mėginiu.
6. Pripilkite į mėginio kolbą tiek mėginio, kad jutiklis būtų visiškai paniręs mėginyje.
7. Įdėkite zondą (-us) į zondo mėginių kolbas ir paspauskite **Read** (Skaityti), jei matavimo režimas yra nustatytas kaip **Press to Read** (Paspausti nuskaitymui). Daugiau informacijos ieškokite zondo dokumentacijoje.
8. Ekrane rodomos matavimo vertės.



Skyrius 8 Kalibravimas

⚠️ ATSARGIAI



Sąlyčio su cheminėmis medžiagomis pavojus. Vykdykite laboratorijos saugos procedūras ir dėvėkite visas asmeninės saugos priemones, tinkančias naudojamiems chemikalams. Saugos protokolai nurodyti galiojančiuose saugos duomenų lapuose (MSDS / SDS).

8.1 Zondo kalibravimas

Kiekvienam zondui naudojamas skirtingas kalibravimas. Norėdami užtikrinti didžiausią tikslumą, prietaisą dažnai kalibruokite. Matuoklyje bus parodyta kalibravimo būseną. Jei kalibravimas neteisingas, kol zondas bus tinkamai sukalibruotas, bus rodoma kalibravimo piktograma su klausutuku. Atlikus kalibravimą teisingai, parodoma kalibravimo piktograma su žalia varnele. Išsamių instrukcijų ieškokite prie kiekvieno zondo pridėdamuose dokumentuose. Daugiau informacijos rasite gamintojo interneto svetainėje.

1. Prijunkite zondą.
2. Spauskite **Main Menu>Calibrate** (Pagrindinis meniu > Kalibruoti), kad pradėtumėte kalibravimą.
3. Pasirinkite atitinkamą zondą, jei prie prietaiso jų yra prijungta daugiau kaip vienas.
Pastaba: Jei prijungtas tik vienas zondas, šis etapas nerodomas.
4. Sukalibruokite zondą pagal ekrane rodomas instrukcijas.
Pastaba: ISE zondui paspauskite **DEŠINIĄJĄ** rodyklę, kad pagal poreikį pereitumėte prie kito kalibravimo standarto. Išmatuokite standartus nuo žemos iki aukštos koncentracijos.
5. Jei reikia, atlikite patikrinimą. Žr. [Zondo patikrinimas](#) Puslapyje 326.

8.2 Gamyklinis kalibravimas

Gamintojas rekomenduoja kasmet atlikti visišką sukalibravimą, kad būtų užtikrinta, jog sistema veikia taip, kaip numatyta. Kreipkitės į jūsų vietovėje veikiančią „Hach“ techninės priežiūros centrą.

8.3 Sukalibruokite matuoklį specifinių parametrų „Chemkey“

Kiekvienam „Chemkey“ naudojama skirtinga kalibravimo sąranka. Daugiau informacijos rasite gamintojo interneto svetainėje.

1. Lėtai vienu judesiu įspauskite taikytiną „Chemkey“ į 1–4 lizdą (-us).
2. Spauskite **Main Menu>Calibrate** (Pagrindinis meniu > Kalibruoti), kad pradėtumėte kalibravimą.
3. Pasirinkite atitinkamą „Chemkey“.
4. Įveskite atitinkamą standartinę koregavimo vertę.
5. Sukalibruokite „Chemkey“ pagal ekrane rodomas instrukcijas.
6. Jei reikia, atlikite patikrinimą. Žr. „Chemkey“ patikrinimas. Puslapyje 326.

8.4 Zondo patikrinimas

1. Spauskite **Main Menu>Verification** (Pagrindinis meniu > Patikrinimas), kad pradėtumėte tikrinimą.
2. Pasirinkite atitinkamą įrenginį.
3. Patikrinkite pagal ekrane rodomas instrukcijas.

*Pastaba: Norėdami pakeisti patvirtinimui naudojamą standartą, spauskite **Pagrindinis meniu>Parametrai>Zondas>[Pasirinkite zondą]>Tikrinimo parinktys>Standartas**.*

8.5 „Chemkey“ patikrinimas.

Yra dvi galimybės atlikti „Chemkey“ patikrinimą. Patikrinimui galima naudoti specifinių parametrų „Chemkey“ arba sisteminio patikrinimo „Chemkey“. Žr. **Atsarginės dalys ir priedai** Puslapyje 332.

- **Specifinių parametrų „Chemkey“:**
 1. Lėtai vienu judesiu įstumkite specifinių parametrų „Chemkey“ į 1–4 lizdą (-us).
 2. Tada spauskite **Main Menu>Verification** (Pagrindinis meniu > Patikrinimas), kad pradėtumėte tikrinimą.
 3. Atlikite meniu nurodytą procesą.
- **Sisteminio patikrinimo „Chemkey“:**
 1. Spauskite **Main Menu>Verification** (Pagrindinis meniu > Patikrinimas), kad pradėtumėte tikrinimą.
 2. Tada lėtai, vienu judesiu į pirmąjį lizdą įstumkite sisteminio patikrinimo „Chemkey“.
 3. Atlikite meniu nurodytą procesą.

Skyrius 9 Duomenų byla

Duomenų byloje rodomi visi įrašyti matavimai.

1. Paspauskite **Main Menu>Data Log** (Pagrindinis meniu > Duomenų byla).
2. Pasirinkite parinktį.

Parinktis	Aprašymas
„All Logs by Date“ (Visos bylos pagal datą)	Rodomi mėginių matavimo rezultatai: zondo pavadinimas, zondo serijos numeris, vertė, vienetas, temperatūra, laikas, data, pastabos, operatoriaus ID, vietos ID ir kalibravimo informacija. Ekrane rodomi paskutinio matavimo duomenys. Paspauskite KAIRIAJĄ rodyklę, kad peržiūrėtumėte ankstesnių matavimų duomenis.
„Current Cal on Probe“ (Esamas zondo kalibravimas)	Rodoma naujausias kalibravimo informacija. Jei naudotojas neatliko zondo kalibravimo, bus rodomi gamykloje atlikto kalibravimo duomenys.

Parinktis	Aprašymas
„Cal History on Probe“ (Zondo kalibravimo istorija)	Rodo, kiek kartų anksčiau zondas buvo kalibruojamas. Norėdami peržiūrėti kalibravimo duomenų suvestinę, pasirinkite datą ir laiką.
„Delete Data Log“ (Ištrinti duomenų bylą)	Iškart pašalinami visi matuoklio duomenys. Įrenginio duomenys išliks.

9.1 Duomenų importavimas į programą „Exel“

⚠ ĮSPĖJIMAS	
	<p>Elektros smūgio pavojus. Iš išorės prijungta įranga privalo turėti tinkamą šalies atitikties saugos standartams įvertinimą.</p>

Matuoklio duomenys išsaugomi XML formato duomenų byloje. „Excel“ skaičiuoklėje galima įrašyti vietas ID, seką, datą ir laiką, parametą, išmatuotą vertę, vienetus, operatoriaus ID, angos Nr., „Chemkey“ partijos kodą ir matuoklio serijos numerį.

1. Įjunkite matuoklį.
2. USB laidu prijunkite matuoklį prie kompiuterio. Kompiuteryje matuoklis rodomas kaip diskas „Hach Portable Parallel Analysis“.
3. Atidarykite šio disko aplanką „DataTemplate“.
4. Atidarykite failą „LogTemplate.xltx“.
5. Spustelėkite dešiniuju klavišu ant langelio „A2“ ir pasirinkite „XML>Import“ (XML > Importuoti).
6. Iš disko „Hach Portable Parallel Analysis“ aplanko „Data“ (Duomenys) pasirinkite visus bylos failus.
7. Spustelėkite **Import** (Importuoti).
Duomenų byla parodoma „Excel“ skaičiuoklėje.
8. Jei reikia, įrašykite failą į kompiuterį arba į USB atmintinę.
9. Saugiai atjunkite matuoklį nuo kompiuterio. Spustelėkite užduočių juostoje esančią piktogramą su žalia rodykle „Safely Remove Hardware and Eject Media“ (Saugus aparatūros šalinimas ir laikmenos išstūmimas).
Pastaba: Tam tikros užduočių juostos piktogramos parodomos pasirinkus „Show hidden icons“ (Rodyti paslėptas piktogramas).
10. Atjunkite USB laidą nuo matuoklio.

9.2 Duomenų peržiūra interneto naršyklėje

Norėdami peržiūrėti duomenų bylą interneto naršyklėje, atlikite toliau nurodytus veiksmus. Interneto naršyklėje galima peržiūrėti vietas ID, seką, datą ir laiką, parametą, išmatuotą vertę, vienetus, operatoriaus ID, angos Nr., „Chemkey“ partijos kodą ir matuoklio serijos numerį.

1. Įjunkite matuoklį.
2. USB laidu prijunkite matuoklį prie kompiuterio. Kompiuteryje matuoklis rodomas kaip diskas „Hach Portable Parallel Analysis“.
3. Atidarykite šio disko aplanką „Data“ (Duomenys).
4. Atidarykite duomenų bylos failą.
 - Bet kurioje naršyklėje atidarykite „LogNN.XML“ (NN = skaitmenys nuo 0 iki 9).
 - Interneto naršyklėje spustelėkite **File>Open menu** (Failas > Atidaryti meniu) ir eikite į aplanką „Data“ (Duomenys).
5. Jei reikia, įrašykite failą į kompiuterį arba į USB atmintinę.

6. Saugiai atjunkite matuoklį nuo kompiuterio. Spustelėkite užduočių juostoje esančią piktogramą su žalia rodykle „Safely Remove Hardware and Eject Media“ (Saugus aparatūros šalinimas ir laikmenos išstūmimas).
Pastaba: Tam tikros užduočių juostos piktogramos parodomos pasirinkus „Show hidden icons“ (Rodyti paslėptas piktogramas).
7. Atjunkite USB laidą nuo matuoklio.

Skyrius 10 Techninė priežiūra

⚠ ĮSPĖJIMAS



Ivairūs pavojai. Šiame dokumento skyriuje aprašytas užduotis turi vykdyti tik kvalifikuoti darbuotojai.

⚠ ATSARGIAI



Sąlyčio su cheminėmis medžiagomis pavojus. Vykdykite laboratorijos saugos procedūras ir dėvėkite visas asmeninės saugos priemones, tinkančias naudojamiems chemikalams. Saugos protokolai nurodyti galiojančiuose saugos duomenų lapuose (MSDS / SDS).

⚠ ATSARGIAI



Sąlyčio su cheminėmis medžiagomis pavojus. Chemikalus ir atliekas išmeskite pagal vietos, regiono ir nacionalines taisykles.

10.1 Nuvalykite išsiliejusias medžiagas

⚠ ATSARGIAI



Sąlyčio su cheminėmis medžiagomis pavojus. Chemikalus ir atliekas išmeskite pagal vietos, regiono ir nacionalines taisykles.

1. Laikykitės visų įstaigos saugos protokolų dėl išsiliejusių medžiagų tvarkymo.
2. Išmeskite atliekas pagal taikomas taisykles.

10.2 Prietaiso valymas

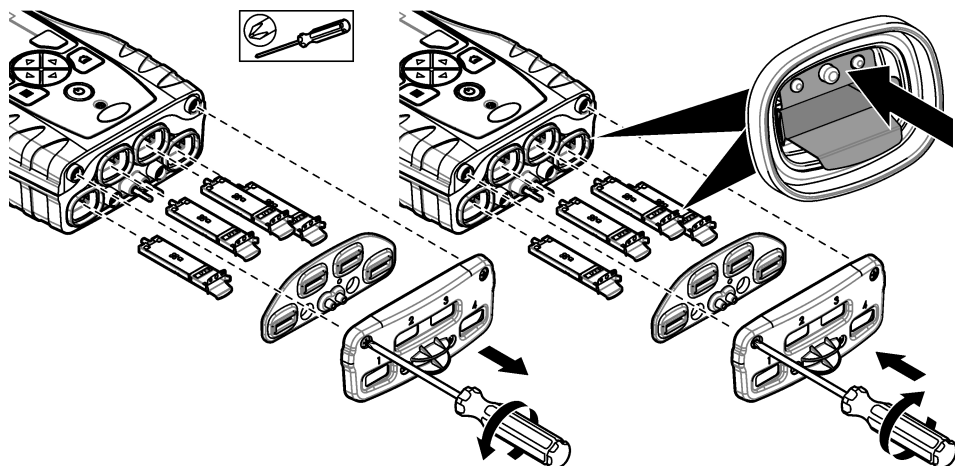
Prietaiso išorę pagal poreikį valykite drėgna audeklo skiaute ir švelniu muilo tirpalu, tada nušluostykite jį sausiai.

10.3 Dalių valymas arba keitimas

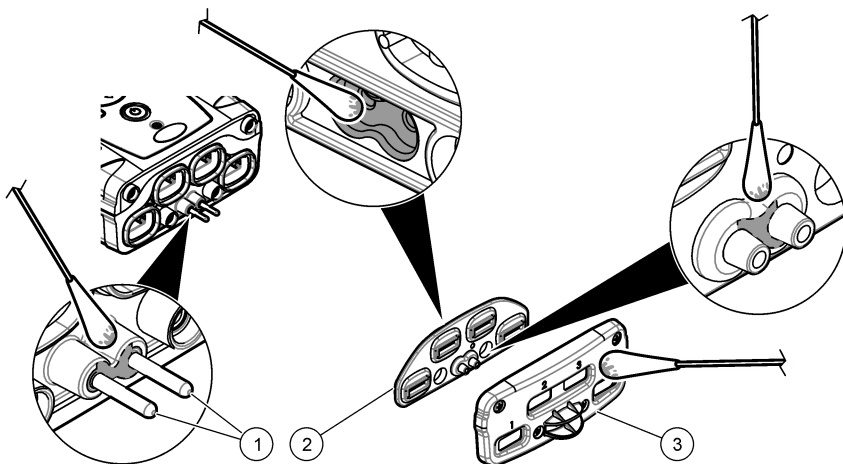
Dėl tam tikrų klaidų ir įspėjimų reikalaujama išvalyti „Chemkey“ lizdus, optinius langelius, brūkšninio kodo langelį, mėginių detektorių arba pakeisti dėklus. Dalims valyti naudokite izopropilo alkoholį. Šviesos skydui nuvalyti naudokite vandenį ir švelnų ploviklį. Aplikatoriaus medvilninę galvutę judinkite tik viena kryptimi. Žr. [Paveikslėlis 10](#), kad nuimtumėte optikos priegijos dangtelį, šviesos skydą ir dėklus. Išsamią valymo procedūrą žr. [Paveikslėlis 11](#) ir [Paveikslėlis 12](#).

Reikiamos priemonės: aplikatoriaus medvilniniu galiuku, izopropilo alkoholis, vanduo ir švelnus ploviklis.

Paveikslėlis 10 Dalių išrinkimas ir surinkimas

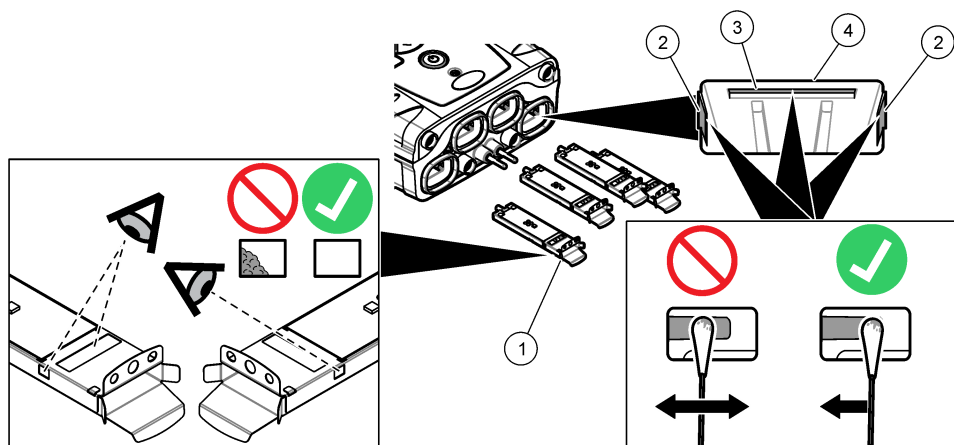


Paveikslėlis 11 Nuvalykite mėginių detektorių, šviesos skydą ir prieigos dangtelį



1 Mėginių detektorius	3 Optikos prieigos dangtelis
2 Šviesos skydas	

Paveikslėlis 12 Nuvalykite dėklus ir „Chemkey“ lizdus



1 Dėklas	3 Brūkšninio kodo langelis
2 Optikos langelis	4 „Chemkey“ lizdas

10.4 Įkraukite arba pakeiskite bateriją

Įkraukite bateriją, kai baterijos galios lygis yra žemas. Pakeiskite bateriją, kai baterija greitai išsikrauna. Naudokite tik nurodytą gamintojo tiekiamą bateriją. Žr. [Baterijos įdėjimas](#) Puslapyje 317 ir [Atsarginės dalys ir priedai](#) Puslapyje 332.

10.5 Pasiruoškite siuntimui

PASTABA

Galima žala prietaisui. Prieš siųsdami, išleiskite iš prietaiso visą vandenį, kad jis neužšaltų minusinėje temperatūroje.

Prieš siųsdami gamintojui, kreipkitės nurodymų į techninio palaikymo tarnybą.

- Prieš siųsdami prietaisą, jį išvalykite ir padarykite nekenksmingą.
- Prietaisą siųskite su matuoklyje įdėta baterija, bet įsitinkinkite, kad ji nebūtų prijungta prie jungties.
- Prieš siųsdami, atjunkite zondus ir išimkite „Chemkey“.
- Prietaisą siųskite originalioje arba kitoje saugioje pakuotėje.

Skyrius 11 Trikčių šalinimas

Klaida / įspėjimas	Galima priežastis	Sprendimas
Brūkšn. kodo skait. klaida Iš naujo įdėkite CHEMKEY	„Chemkey“ veikia netinkamai. „Chemkey“ netinkamai įdėtas.	<ul style="list-style-type: none"> Dar kartą įdėkite „Chemkey“ į lizdą. Naudokite naują „Chemkey“. Nuvalykite brūkšninio kodo langelį. Žr. Paveikslėlis 12 Puslapyje 330. Jei problema kartojasi, kreipkitės į techninio palaikymo tarnybą.
Mėginio išsiurbimo klaida.	„Chemkey“ veikia netinkamai. „Chemkey“ ne iki galo įstumtas į lizdą.	Naudokite naują „Chemkey“ ir būtinai įstumkite jį į lizdą iki pat galo. Jei problema kartojasi, kreipkitės į techninio palaikymo tarnybą.
„Chemkey Leaked. Išmėginkite kitą		
„Chemkey expired“ (Baigėsi „Chemkey“ galiojimo laikas)	Baigėsi „Chemkey“ galiojimo laikas.	
Matavimo klaida (1–4).	Nurodytame lizde kilo matavimo klaida.	
Nepalaikomas parametras	Įdiegtoje prietaiso programinėje įrangoje šio parametro nėra.	Atnaujinkite prietaiso programinę įrangą. Svetainėje www.hach.com ieškokite „SL1000“. Eikite į skiltį „Downloads>Software/Firmware“ ir vadovaukitės svetainėje pateikiamais nurodymais.
Naudot. CHEMKEY. Keisti	„Chemkey“ jau panaudotas arba lizde yra vandens.	Naudokite naują „Chemkey“. Jei problema kartojasi, išdžiovinkite lizdą ir prietaisą, ir mėginkite iš naujo. Jei problema kartojasi, kreipkitės į techninio palaikymo tarnybą.
Nesandarus dėklas. Replace tray.“ (Dėklas nuotėkis. Pakeiskite dėklą)	Problema su matuojamu dėklu.	Pakeiskite dėklą. Žr. Paveikslėlis 10 Puslapyje 329. Jei problema kartojasi, kreipkitės į techninio palaikymo tarnybą.
Šildytuvo klaida Pakeiskite dėklą	Dėklas netinkamai veikia.	
„Remove from sample.“ (Išimkite iš mėginio.)	Matuoklis įdėtas į mėginį, kol dar nebuvo parengtas.	Palaukite, kol matuoklis bus parengtas dėti į mėginį.
Per greitai išimtas mėginys		Įdėkite į lizdą kitą „Chemkey“. Palaukite, kol matuoklis bus parengtas dėti į mėginį.
Per daug laiko mėginyje	„Chemkey“ per ilgai palikti mėginyje. Kilo matavimo klaida.	Kai bus paraginta, nedelsdami ištraukite „Chemkey“.
	Jei įspėjimas pasirodo, kai matuoklis nėra mėginyje, nešvari yra mėginių detektoriaus adatos sritis yra.	Nuvalykite mėginių detektoriaus adatos sritį. Žr. Dalių valymas arba keitimas Puslapyje 328. Jei problema kartojasi, kreipkitės į techninio palaikymo tarnybą.
Viršija normą	Koncentracija didesnė už viršutinę esamo metodo normą.	Praskieskite mėginį ir vėl išmatuokite.
Nesiekia normos	Koncentracija mažesnė už apatinę esamo metodo normą.	—

Klaida / įspėjimas	Galima priežastis	Sprendimas
„Tray too cold.“ (Per šaltas dėklas)	Matuoklis gali būti per šaltas, kad pašildytų dėklą, arba neveikia šildytuvai.	Perkelkite matuoklį į šiltesnę aplinką ir išmatuokite vėl. Pakeiskite dėklą.
„Tray too hot“. (Per karštas dėklas)	Matuoklis per karštas, kad būtų galima išmatuoti.	Ataušinkite matuoklį arba išneškite jį iš šiltos aplinkos.
Per daug aplinkos šviesos. Įdėkite CHEMKEY tamsesnėje aplinkoje.	Aplinkos šviesa per ryški, kad būtų galima nuskaityti brūkšninį kodą.	Perkelkite matuoklį į tamsesnę aplinką ir vėl įdėkite „Chemkey“ į lizdą.
„Low Light. Clean Chemkey slot.“ (Mažai šviesos. Išvalykite „Chemkey“ lizdą)	„Chemkey“ veikia netinkamai. „Chemkey“ netinkamai įdėtas.	<ul style="list-style-type: none"> Įdėkite „Chemkey“ į lizdą vienu paspaudimu. Naudokite naują „Chemkey“. Išvalykite „Chemkey“ lizdą. Žr. Paveikslėlis 12 Puslapyje 330. Jei problema kartojasi, kreipkitės į techninio palaikymo tarnybą.
Prietaisui reikalinga techninė priežiūra.	Modulio gedimas.	Naudokite tinkamai veikiančius modulius. Kreipkitės į techninio palaikymo tarnybą, kad būtų suremontuotas sugedęs modulis.
Mėginys nerastas.	<ul style="list-style-type: none"> Mėginio indelis nepripildytas iki pildymo linijos. Mėginio laidumas mažesnis už 2 μS/cm. 	<ul style="list-style-type: none"> Įsitinkite, kad mėginio indelis užpildytas iki pildymo linijos. Įsitinkite, kad mėginio laidumas didesnis už 2 μS/cm. Išvalykite mėginio detektorius. Žr. Paveikslėlis 11 Puslapyje 329. Jei problema kartojasi, kreipkitės į techninio palaikymo tarnybą.


11.1 Atlikite diagnostinį patikrinimą

Diagnostikos meniu rodoma informacija apie dabartines matuoklio versijas ir galimybę suformatuoti atminties kortelę.

1. Paspauskite **Main Menu>Diagnostics** (Pagrindinis meniu > Diagnostika).
2. Pasirinkite parinktį.

Parinktis	Aprašymas
„Disk Space“ (Vietos diske)	Rodoma, kiek yra vietos diske naudotojo atminčiai ir vidinei atminčiai.
„Config Versions“ (Konfigūracijos versijos)	Rodo matuoklio nustatymų konfigūracijos versijas.
„Method Versions“ (Metodo versijos)	Rodo matuoklio metodo versijas.
„Format Memory“ (Formatuoti atmintį)	Ištrinti visus matuoklio duomenis. Pastaba: Atlikus veiksmą „Format Memory“ (Formatuoti atmintį), bus prarasti visi matuoklio duomenys (pvz., matuoklio konfigūracija, vietos ID, operatoriaus ID, maršrutai, pastabos, šablonai ir kt.).

Skyrius 12 Apsarginės dalys ir priedai

▲ ĮSPĖJIMAS	
	Pavojus susižeisti. Naudojant nepatvirtintas dalis galima sužaloti žmones, sugadinti prietaisą arba įrangą gali netinkamai veikti. Šiame skyriuje nurodytos apsauginės dalys yra patvirtintos gamintojo.

Pastaba: Kai kuriuose pardavimo regionuose gaminių ir prekių numeriai gali skirtis. Kreipkitės į atitinkamą pardavimo agentą arba apsilankykite bendrovės tinklalapyje, kur rasite informaciją apie asmenis, į kuriuos galite kreiptis.

Vadovaukitės išplėstinės šio vadovo versijos skyriumi „Atsarginės dalys ir priedai“.

Оглавление

- | | | | |
|---|--|----|---|
| 1 | Онлайн-руководство пользователя на стр. 334 | 7 | Стандартная операция на стр. 342 |
| 2 | Характеристики на стр. 334 | 8 | Калибровка на стр. 346 |
| 3 | Общая информация на стр. 335 | 9 | Журнал регистрации данных на стр. 347 |
| 4 | Монтаж на стр. 337 | 10 | Обслуживание на стр. 349 |
| 5 | Пользовательский интерфейс и управление курсором на стр. 339 | 11 | Поиск и устранение неполадок на стр. 352 |
| 6 | Начало работы на стр. 341 | 12 | Запасные части и принадлежности на стр. 354 |

Раздел 1 Онлайн-руководство пользователя

Это Базовое руководство пользователя содержит меньше информации, чем руководство пользователя, доступное на веб-сайте производителя.

Раздел 2 Характеристики

Технические характеристики могут быть изменены без предварительного уведомления.

Характеристика	Подробная информация
Габариты (Ш x Г x В)	13,08 x 5,89 x 25,83 см (5,15 x 2,32 x 10,17 дюйма)
Класс защиты корпуса	IP64 с установленными колпачками для отверстий разъема датчика прибора или с подключенными к прибору датчиками
Масса	1,2 кг (2,7 фунта)
Питание (от внутреннего источника)	Литий-ионный аккумулятор с перезарядкой, 7,4 В, 5.0Ah (5000mAh)
Питание (от внешнего источника)	100 В – 240 В перем.тока, вход 50/60 Гц, выход 12 В на 3 А
Рабочая температура (разрядка)	5 - 50 °C (41 - 122 °F), относительная влажность 85% максимум (без конденсации)
Температура зарядки	5 - 45 °C (41 - 113 °F), относительная влажность 85% максимум (без конденсации)
Температура хранения	от –20 до 60 °C (от –4 до 140 °F), максимальная относительная влажность 85% (без конденсации)
Интерфейс	Порт мини-USB
5-контактный входной разъем	Два разъема M12 для датчиков IntelliCal
Разъем внешнего блока питания	Разъем 2,5 мм
Слоты Chemkey	4
Память данных	1000 измеренных значений (результат, дата, время, код места, код пользователя)
Хранение данных	Автоматическое в режиме Press to Read (Нажать для чтения). Ручное в режиме непрерывного измерения
Поправка на температуру (для датчиков IntelliCal™)	Выключена, автоматическая и ручная (определяемая параметром)
Блокировка отображения измерения (для датчиков IntelliCal™)	Режим Press to Read (Нажать для чтения) и Continuous measurement (Непрерывное измерение)
Класс защиты	III
Сертификаты	CE, UKCA, FCC, ISED, RCM, KC
Гарантия	1 год

Раздел 3 Общая информация

Ни при каких обстоятельствах производитель не несет ответственности за ущерб, причиненный в результате ненадлежащего использования прибора или несоблюдения инструкций, приведенных в руководстве. Производитель оставляет за собой право вносить изменения в руководство или описанную в нем продукцию без извещений и обязательств. Обновленные версии руководства можно найти на веб-сайте производителя.

3.1 Информация по безопасности

Изготовитель не несет ответственности за любые повреждения, вызванные неправильным применением или использованием изделия, включая, без ограничения, прямой, неумышленный или косвенный ущерб, и снимает с себя ответственность за подобные повреждения в максимальной степени, допускаемой действующим законодательством. Пользователь несет исключительную ответственность за выявление критических рисков в работе и установку соответствующих механизмов для защиты обследуемой среды в ходе возможных неполадок оборудования.

Внимательно прочтите все руководство пользователя, прежде чем распаковывать, устанавливать или вводить в эксплуатацию оборудование. Соблюдайте все указания и предупреждения относительно безопасности. Их несоблюдение может привести к серьезной травме обслуживающего персонала или выходу из строя оборудования.

Чтобы гарантировать, что обеспечиваемая оборудованием защита не нарушена, не используйте или не устанавливайте данное оборудование никаким иным способом, кроме указанного в данном руководстве.

3.1.1 Информация о потенциальных опасностях

▲ ОПАСНОСТЬ

Указывает на потенциально или непосредственно опасные ситуации, которые, если их не избежать, приведут к смерти или серьезным травмам.

▲ ПРЕДУПРЕЖДЕНИЕ

Указывает на потенциально или непосредственно опасные ситуации, которые, если их не избежать, могут привести к смерти или серьезным травмам.

▲ ОСТОРОЖНО



Указывает на потенциально опасную ситуацию, которая может привести к травмам малой и средней тяжести.

УВЕДОМЛЕНИЕ

Указывает на ситуацию, которая, если ее не избежать, может привести к повреждению оборудования. Информация, на которую следует обратить особое внимание.

3.1.2 Предупредительные надписи

Прочитайте все наклейки и ярлыки на корпусе прибора. При несоблюдении указанных на них требований существует опасность получения травм и повреждений прибора. Нанесенный на корпус прибора предупредительный символ вместе с предостережением об опасности или осторожности содержится в руководстве пользователя.

	Если данный символ нанесен на прибор, в руководстве по эксплуатации необходимо найти информацию об эксплуатации и/или безопасности.
	Возможен запрет на утилизацию электрооборудования, отмеченного этим символом, в европейских домашних и общественных системах утилизации. Пользователь может бесплатно вернуть старое или неработающее оборудование производителю для утилизации.

3.1.3 Сертификация

Сигнал уведомления EN 55011/CISPR 11

Это изделие класса А. В жилых помещениях данное изделие может создавать радиопомехи. В таком случае пользователю нужно предпринять соответствующие меры.

Канадские нормативные требования к оборудованию, вызывающему помехи, ICES-003, класс А:

Прилагающиеся протоколы испытаний находятся у производителя.

Данное цифровое устройство класса А отвечает всем требованиям канадских норм относительно вызывающего помехи оборудования.

Cet appareil numérique de classe A répond à toutes les exigences de la réglementation canadienne sur les équipements provoquant des interférences.

Правила FCC, часть 15, ограничения класса “А”

Прилагающиеся протоколы испытаний находятся у производителя. Данное устройство соответствует требованиям части 15 правил FCC. Эксплуатация может производиться при выполнении двух следующих условий:

1. Устройство не должно создавать опасные помехи.
2. Устройство должно допускать любое внешнее вмешательство, в том числе способное привести к выполнению нежелательной операции.

Изменения и модификации данного устройства без явного на то согласия стороны, ответственной за соответствие стандартам, могут привести к лишению пользователя прав на эксплуатацию данного устройства. Результаты испытаний данного устройства свидетельствуют о соответствии ограничениям для цифровых устройств класса "А", изложенным в части 15 правил FCC. Данные ограничения предназначены для обеспечения разумной защиты от вредных помех при работе оборудования в коммерческой среде. Данное устройство генерирует, использует и может излучать радиочастотную энергию, и в случае установки и использования вопреки требованиям руководства по эксплуатации может стать источником помех, опасных для устройств радиосвязи. Эксплуатация данного устройства в жилых районах может привести к возникновению опасных помех – в этом случае пользователь будет обязан устранить их за свой счет. Для сокращения помех можно использовать следующие методы:

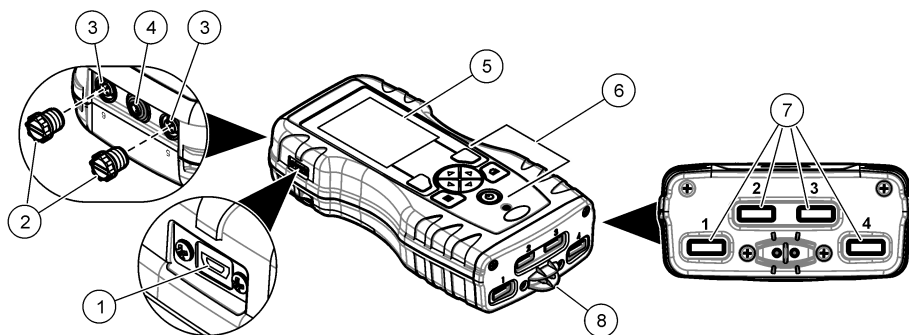
1. Отсоедините устройство от источника питания, чтобы убедиться, что именно оно является источником помех.
2. Если устройство подключено к той же розетке, что и прибор, при работе которого наблюдаются помехи, подключите устройство к другой розетке.
3. Переместите устройство подальше от прибора, для работы которого он создает помехи.
4. Поменяйте положение антенны другого устройства, принимающего помехи.
5. Попробуйте разные сочетания указанных выше мер.

3.2 Основные сведения об измерительном приборе

Портативный параллельный анализатор SL1000 выполняет измерение до шести параметров максимум одновременно в питьевой воде и других вариантах чистой воды. Для измерения различных параметров в воде прибор использует Chemkeys® и цифровые датчики IntelliCAL™. Прибор автоматически определяет тип Chemkey, который установлен, или тип датчика, который подключен к нему.

Для измерений прибор может использовать до четырех Chemkey и до двух датчиков максимум. См. [Рисунок 1](#).

Рисунок 1 Основные сведения об измерительном приборе



1 Порт мини-USB	5 Экран
2 Колпачки отверстий разъема датчика	6 Клавиатура
3 Отверстия подключения датчика	7 Слоты Chemkey
4 Разъем питания	8 Детектор образцов

3.3 Компоненты прибора

Убедитесь в том, что все компоненты в наличии. Обратитесь к прилагаемой документации. Если какой-либо элемент отсутствует или поврежден, немедленно свяжитесь с производителем или торговым представителем.

Раздел 4 Монтаж

▲ ПРЕДУПРЕЖДЕНИЕ



Различные опасности. Работы, описываемые в данном разделе, должны выполняться только квалифицированным персоналом.

4.1 Безопасность при работе с литиевым аккумулятором

▲ ПРЕДУПРЕЖДЕНИЕ



Опасность возгорания и взрыва. В случае неправильной эксплуатации литиевые батареи могут нагреться, взорваться или воспламениться и привести к серьезным травмам.

- Не используйте батарею, если на ней имеются видимые повреждения.
- Не используйте батарею после сильных ударов или вибрацией.
- Не оставляйте батарею рядом с открытым огнем.
- Храните батарею при температуре ниже 60 °C (140 °F).
- Избегайте попадания воды на батарею.
- Избегайте контактов между положительными и отрицательными полюсами батареи.
- Посторонним запрещается прикасаться к батарее.
- Утилизируйте батареи в соответствии с местным, региональным и государственным законодательством.

- Не используйте и не храните прибор в зоне действия прямых солнечных лучей, вблизи источников тепла и помещениях с высокой температурой воздуха, например в закрытом автомобиле, оставленном на солнце.

4.2 Установка батареи

▲ ПРЕДУПРЕЖДЕНИЕ



Опасность возгорания и вероятность взрыва. В данном оборудовании используется высокоэнергетическая литиевая батарея, которая может возгораться и привести к пожару или взрыву, даже при отсутствии электропитания. Чтобы поддерживать безопасность, обеспечиваемую кожухом прибора, необходимо установить и надежно закрепить при помощи предоставленных крепежных деталей панели кожуха прибора.

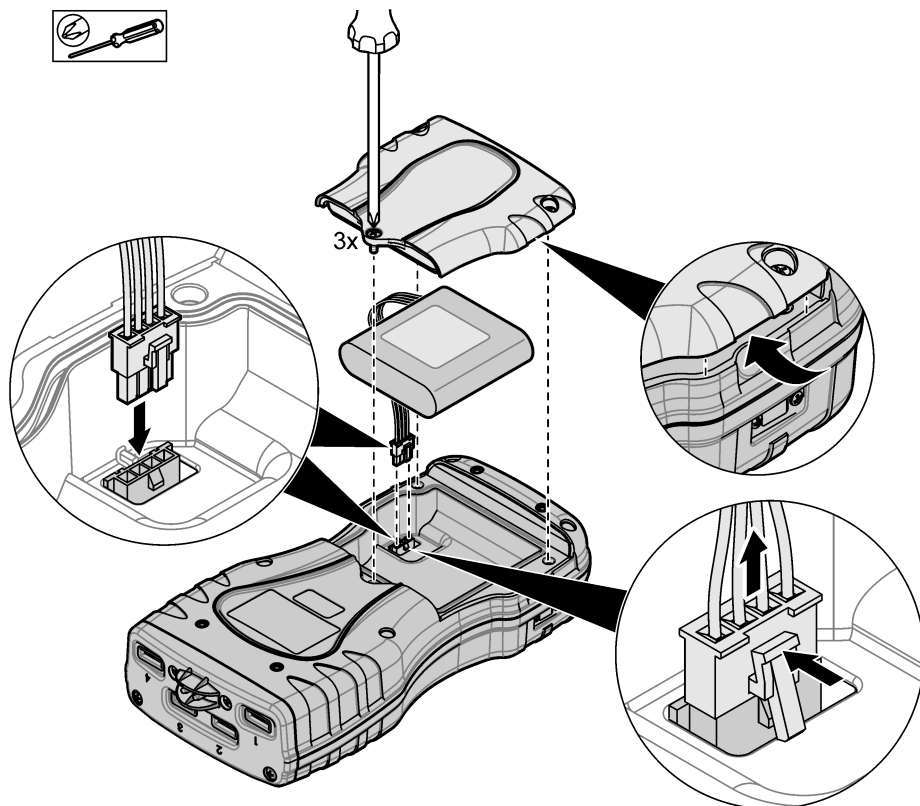
▲ ПРЕДУПРЕЖДЕНИЕ



Опасность взрыва и пожара. Замена батареи не разрешается. Используйте батареи, которые поставляются только производителем оборудования.

Используйте только литий-ионный аккумулятор, поставляемый производителем. Порядок установки и снятия аккумулятора см. в [Рисунок 2](#).

Рисунок 2 Установка и снятие аккумулятора



4.3 Зарядка аккумулятора

▲ ПРЕДУПРЕЖДЕНИЕ



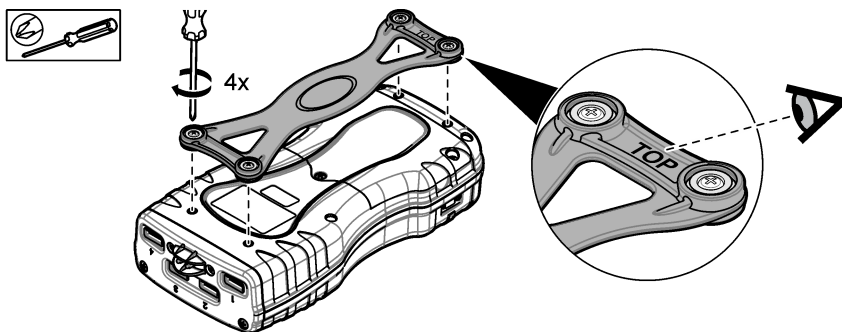
Опасность возникновения пожара. Следует использовать только внешний источник питания, указанный для данного прибора.

1. Подключите внешний источник питания к розетке сети переменного тока.
2. Подключите внешний источник питания в разъем питания на приборе. См. [Основные сведения об измерительном приборе](#) на стр. 336.
 - Во время зарядки аккумулятора предусмотрена возможность эксплуатации прибора.
 - Замена внешнего источника питания не допускается. Используйте только внешний источник питания, указанный в перечне деталей и принадлежностей к данному прибору. См. [Запасные части и принадлежности](#) на стр. 354.
 - Не разрешается зарядка аккумулятора в течение периода свыше 24 часов.

4.4 Установка ремешка

Установите ремешок для безопасного ношения измерительного прибора на руке. См. [Рисунок 3](#).

Рисунок 3 Установка ремешка

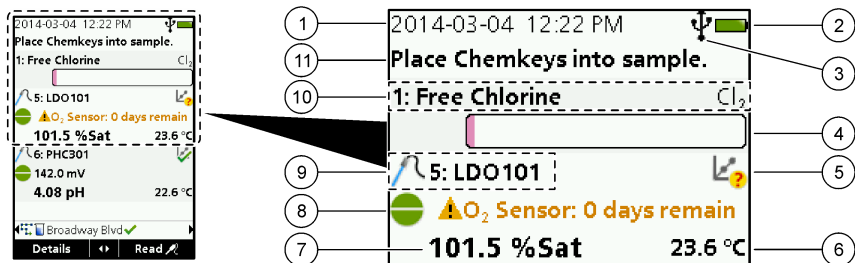


Раздел 5 Пользовательский интерфейс и управление курсором

5.1 Описание дисплея

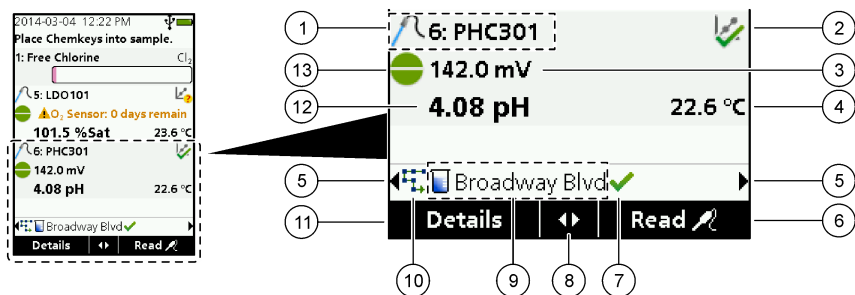
Описание экрана измерений см. в [Рисунок 4](#) и [Рисунок 5](#).

Рисунок 4 Экран измерений (верхняя часть)



1 Дата и время	7 Значение главного измерения (параметр, задаваемый пользователем)
2 Состояние батареи	8 Значок стабильности с предупреждающим значком и предупреждающим сообщением
3 Значок активного соединения с USB (COM-порт), когда выбран класс связи	9 Значок датчика, номер порта, название параметра или датчика
4 Индикатор выполнения (незавершенное измерение)	10 Номер слота, название параметра и обозначение химического вещества
5 Значок статуса калибровки (калибровка неверна)	11 Очень важное сообщение для устройств (за которым следует ошибка, а затем предупреждающее сообщение)
6 Второстепенное измерение (параметр, задаваемый пользователем)	

Рисунок 5 Экран измерений (нижняя часть)

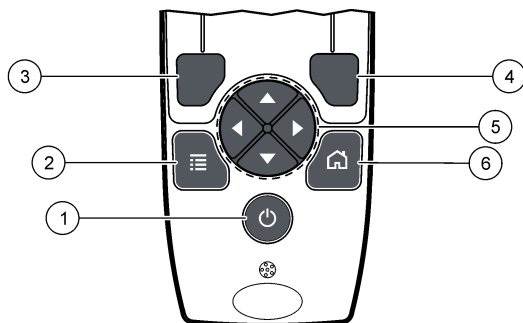


1 Значок датчика, номер порта, название параметра или датчика	8 Активные клавиши со стрелками
2 Значок статуса калибровки (калибровка верна)	9 Значок с кодом и названием места
3 Значение второстепенного измерения (параметр, задаваемый пользователем)	10 Значок маршрутов (виден, когда включена опция маршрутов)
4 Значение третьестепенного измерения (параметр, задаваемый пользователем)	11 Опции (контекстные: Details, exit, cancel, select, deselect (Подробности, выход, отменить, выбрать, отменить выбор))
5 Стрелки вправо и влево для выбора подходящего кода места	12 Значение главного измерения (выбирается пользователем)
6 Опции (контекстные: Read, select, OK, delete (читать, выбрать, ОК, удалить))	13 Значок стабильности
7 Галочка: Завершенное измерение на площадке	

5.2 Описание клавиатуры

Описание клавиатуры и информацию о назначении клавиш см. в [Рисунок 6](#).

Рисунок 6 Описание клавиатуры



1 Клавиша POWER (Питание)	4 Клавиша выбора вправо (контекстная): измерение образца, удалить, выбрать или подтвердить опции, открыть подменю
2 Клавиша MAIN MENU (Главное меню): Выбор верификации, калибровки, маршрутов, настроек, журнала данных, информации, диагностики, кода оператора и места	5 Навигационные клавиши ВВЕРХ, ВНИЗ, ВПРАВО, ВЛЕВО ¹ : Прокрутка меню, ввод чисел и букв.
3 Клавиша выбора влево (контекстная): подробная информация, выбрать/отменить выбор, отмена или выход из текущего экрана меню на предыдущий экран	6 HOME (Домой): переход на главный экран измерений.

Раздел 6 Начало работы

6.1 Включите питание

Нажмите клавишу **POWER** (Питание), чтобы включить или выключить прибор. Если питание прибора не включается, проверьте, установлен ли аккумулятор.

6.2 Change the language

Select the display language when the meter is set to on for the first time. Change the language from the **Settings** menu.

1. Push **Settings>Language**.
2. Select the applicable language.

6.3 Change the date and time

There are two options to set the date and time and format:

- Set the date and time when the meter is set to on for the first time.
- Set the date and time from the Date & Time menu.

1. Select **Settings>Meter>Date & Time**.
2. Use the arrow keys to select the format for the date and time and then enter the current time and date information.

¹ ВВЕРХ, ВНИЗ: прокрутка списка измерений при наличии более четырех измерений.
ВПРАВО, ВЛЕВО: прокрутка кодов операторов и площадок.

The current date and time will be shown on the display and on the logged measurement data.

Раздел 7 Стандартная операция

7.1 Use an operator ID

The operator ID tag associates measurements with an individual operator. All stored data will include the operator ID.

To easily manage operator IDs, use the web application "tool.htm". Refer to the manufacturer's website for more information.

1. Push **Main Menu>Operator ID**.
2. Select an option.

Option	Description
Mode	Set the Operator ID function to on or off (default).
Select	Select an ID from a list. The current ID will be associated with sample data until a different ID is selected. Use the UP and DOWN arrows to select an operator ID from the home screen. It is possible to select the operator ID on the measurement screen before a Chemkey is in the slot or a probe is attached.
Create	Enter a name for a new operator ID.
Delete	Erase an existing operator ID.

7.2 Используйте код места

Выберите ярлык кода места, чтобы закрепить измерения за конкретной пробой или за местом. После закрепления хранимые данные будут содержать в себе данный код.

Для простоты организации идентификационных номеров площадок используйте Интернет-приложение "tool.htm". Подробную информацию см. на веб-сайте производителя.

1. Нажмите **Main Menu>Site ID** (Главное меню>Код места).
2. Выберите опцию.

Опция	Описание
Режим	Установите функцию "Код места" в ручной режим, автоматический режим, выключенное состояние или режим маршрутов. Ручной режим —Выберите код места вручную. Автоматический режим —Образцы получают номера последовательно для каждого измерения, пока не будет выбран другой код места. Выкл. —Функция "Код места" выключена (по умолчанию). Маршруты —Выдает упорядоченное подмножество из полного списка кодов мест.
Выбор	Выберите код из списка. Текущий код будет привязан к данным образца до тех пор, пока не будет выбран иной код. Установите Site ID>Show (Код места>Показать) в положение "Yes" (Да). Воспользуйтесь стрелками вправо или влево, чтобы выбрать на экране измерений текущий код места. Убедитесь, что Site ID>Show (Код места>Показать) установлен в положение "Yes" (Да) и в слот вставлен один Chemkey или подключен один датчик, как минимум.
Создать	Добавить новый код места.
Удаление	Удалить существующий код(ы) места. Примечание: <i>Обязательно выберите режим Manual (Ручной), чтобы удалить код места.</i>
Показать	Показывает код места на экране измерений. Установить в положение "включено" или "выключено".

Опция	Описание
Маршруты	Выдает упорядоченный список кодов мест. Если выбран какой-либо маршрут, коды мест автоматически появляются на экране измерений и записываются. Нажмите клавишу RIGHT (вправо), чтобы выбрать следующее место. Для настройки маршрутов воспользуйтесь Интернет-приложением "tool.htm". Подробную информацию см. на веб-сайте производителя.
Примечания	Запишите специальную информацию и добавьте ее в журнал событий.

7.3 Complete Chemkey measurements

УВЕДОМЛЕНИЕ

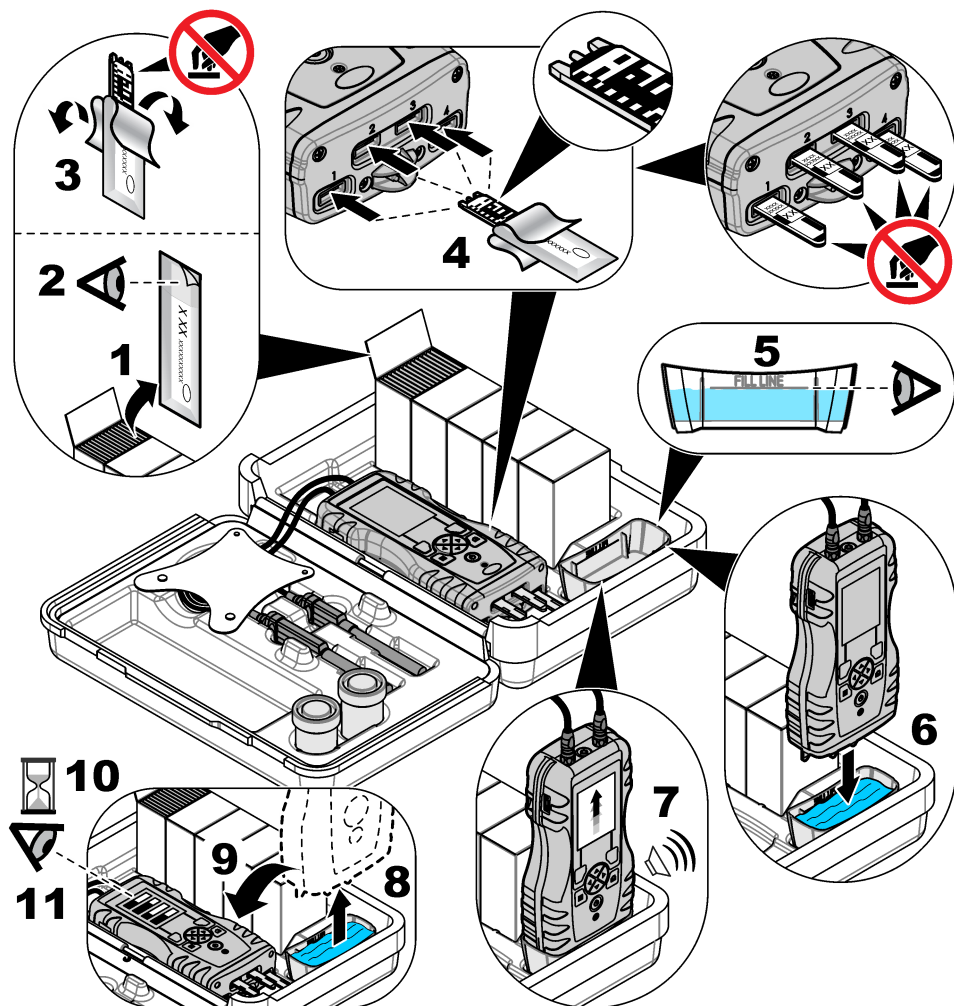
Do not start a new Chemkey measurement when other Chemkey measurements are not yet completed. Only put the meter in the sample once for a Chemkey measurement.

To complete a measurement with the Chemkey(s), do the procedure that follows. Refer to [Рисунок 7](#). Multiple probe measurements can be completed at the same time. Refer to [Выполнение измерения датчиком](#) на стр. 345.

1. Set the meter power to on.
2. If complete traceability is necessary, enter a site ID and operator ID before measurement. Refer to [Use an operator ID](#) на стр. 342 and [Используйте код места](#) на стр. 342.
3. Push the applicable Chemkey(s) fully, in one movement, into the slot(s) 1 to 4. Make sure to always use a new Chemkey for each measurement. It is important to push the Chemkey all of the way into the slot.
When a Chemkey is in a slot, do not move or touch the Chemkey.²
4. Rinse the sample cup with the sample.
5. Fill the meter sample cup to the fill-line with the sample.
6. Put the meter into the meter sample cup.
7. Wait for the sound alert and/or the meter removal animation (within 1 to 2 seconds), then immediately remove the meter from the sample cup.
Put the meter back into the case and wait until the measurement is completed. The parameters have different reaction times. The display shows a progress bar with the time that remains until the measurement is completed.
8. The measurement values are shown on the display.
Примечание: When an error shows, push **Details** for more information.

² A monochloramine Chemkey and a free ammonia Chemkey are both necessary to obtain a free ammonia measurement.

Рисунок 7 Chemkey sample measurement



7.4 Подключите датчик

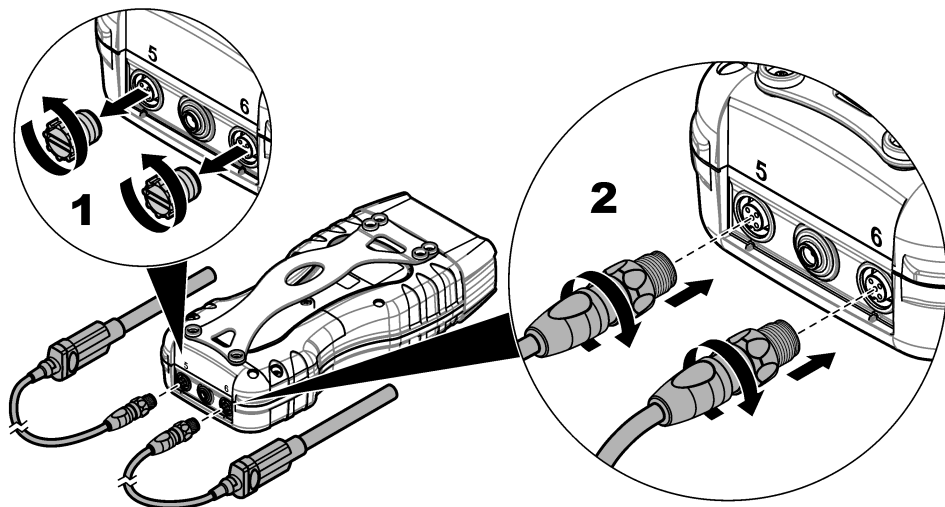
УВЕДОМЛЕНИЕ

Колпачки отверстий разъема датчика выбрасывать не следует. Если нет подключенного датчика, убедитесь в том, что колпачки отверстий разъема датчика установлены на место.

Убедитесь в том, что на дисплее отображаются текущие время и дата, и вставьте датчик в прибор. См. [Рисунок 8](#).

Примечание: Временная отметка для датчика устанавливается при его первом подключении к прибору. Эта временная отметка позволяет записывать историю датчика и время выполнения измерений.

Рисунок 8 Выводы для датчиков



7.5 Выполнение измерения датчиком

Для выполнения измерения датчиком (датчиками) выполните следующую процедуру. См. [Рисунок 9](#). Одновременно можно провести несколько измерений с помощью Chemkey. См. [Complete Chemkey measurements](#) на стр. 343.

1. Перед начальным использованием выполните калибровку датчиков. См. [Выполните калибровку датчика](#) на стр. 346.

Примечание: Для обеспечения максимальной точности выполняйте калибровку датчиков ежедневно.

2. Перед присоединением датчика настройте дату и время на приборе. См. [Change the date and time](#) на стр. 341.

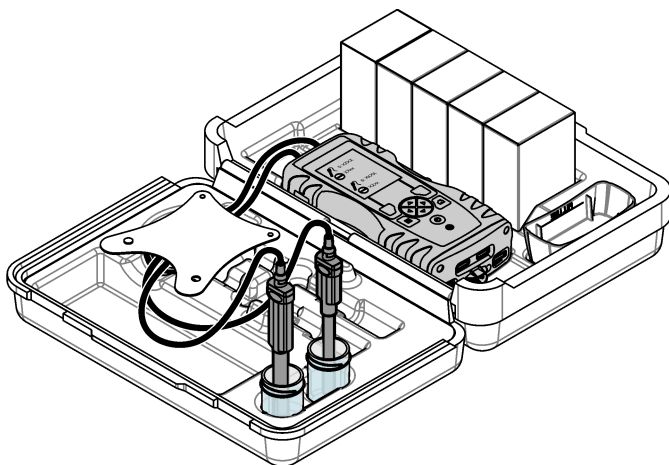
На датчике должен стоять штамп с указанием правильного срока службы.

3. Если необходима полная прослеживаемость, перед измерением введите код места и код оператора. См. [Use an operator ID](#) на стр. 342 и [Используйте код места](#) на стр. 342.

4. Снимите колпачки отверстий разъема датчика и присоедините датчик(и). Порядок подключения датчика см. в [Рисунок 8](#) на стр. 345.

Примечание: Колпачки отверстий разъема датчика выбрасывать не следует. Установите колпачки отверстий разъема датчика на место, если нет подключенного датчика.

5. Ополосните пробные колбы образцом.
6. Наполните пробную колбу образцом, чтобы сенсор полностью находился в образце.
7. Опустите датчик(и) в пробные колбы датчика и нажмите **Read** (Читать), если режим измерения настроен на **Press to Read** (Нажать для чтения). Дополнительную информацию см. в документации на датчик.
8. Значения измерений отображаются на дисплее.




Раздел 8 Калибровка

▲ ОСТОРОЖНО



Опасность вредного химического воздействия. Необходимо соблюдать правила техники безопасности и использовать индивидуальные средства защиты, соответствующие используемым химикатам. При составлении протоколов по технике безопасности воспользуйтесь действующими паспортами безопасности / паспортами безопасности материалов (MSDS/SDS).

8.1 Выполните калибровку датчика

Для каждого датчика используется свой тип калибровочного раствора. Для максимальной точности измерений калибровку датчиков необходимо выполнять регулярно. Статус калибровки будет отображаться на приборе. Если калибровка неверная, на экране будет оставаться значок калибровки с вопросительным знаком , до тех пор пока датчик не пройдет калибровку верно. Когда калибровка будет верной, на экране появится значок калибровки с зеленой галочкой. Пошаговые инструкции см. в документации, прилагаемой к каждому датчику. Подробную информацию см. на веб-сайте производителя.

1. Подключите датчик.
2. Нажмите **Main Menu>Calibrate** (Главное меню>Калибровка), чтобы начать калибровку.
3. Выберите подходящий датчик, если к прибору подключено более одного датчика.
Примечание: Если подключен всего один датчик, данный шаг не появляется на экране.
4. Выполните инструкции, указанные на дисплее, чтобы провести калибровку датчика.

Примечание: Для датчика ISE нажмите на стрелку ВПРАВО, чтобы при необходимости перейти к следующему калибровочному стандарту. Стандарты измерений от низкой концентрации до высокой концентрации.

5. При необходимости, выполните калибровку. См. [Верификация датчика](#) на стр. 347.

8.2 Заводская калибровка

Для надлежащего функционирования системы производитель рекомендует выполнять полную заводскую калибровку один раз в год. Обратитесь в региональный сервисный центр Nach.

8.3 Выполните калибровку прибора для конкретного параметра Chemkey

Настройки калибровки отличаются для каждого Chemkey. Подробную информацию см. на веб-сайте производителя.

1. Медленно, одним движением вставьте подходящий Chemkey в слот(ы) 1 - 4.
2. Нажмите **Main Menu>Calibrate** (Главное меню>Калибровка), чтобы начать калибровку.
3. Выберите подходящий Chemkey.
4. Введите подходящее значение коррекции стандарта.
5. Выполните инструкции, указанные на дисплее, чтобы провести калибровку Chemkey.
6. При необходимости, выполните калибровку. См. [Верификация Chemkey](#) на стр. 347.

8.4 Верификация датчика

1. Нажмите **Main Menu>Verification** (Главное меню>Верификация), чтобы начать верификацию.
2. Выберите подходящее устройство.
3. Выполните инструкции, указанные на дисплее, чтобы провести верификацию.

*Примечание: Чтобы изменить стандарт, используемый для проверки, нажмите **Main Menu (Главное меню)>Settings (Настройки)>Probe (Датчик)>[Select Probe (Выбрать датчик)]>Verification Options (Параметры проверки)>Standard (Стандарт)**.*

8.5 Верификация Chemkey

Существует два варианта выполнения верификации Chemkey. Для верификации следует использовать Chemkey для конкретного параметра или же Chemkey верификации системы. См. [Запасные части и принадлежности](#) на стр. 354.

- **Chemkey для конкретного параметра:**
 1. Медленно, одним движением вставьте Chemkey для конкретного параметра в слот(ы) 1 - 4.
 2. Затем нажмите **Main Menu>Verification** (Главное меню>Верификация), чтобы начать верификацию.
 3. Выполните процесс под управлением меню.
- **Chemkey верификации системы:**
 1. Нажмите **Main Menu>Verification** (Главное меню>Верификация), чтобы начать верификацию.
 2. Затем медленно, одним движением вставьте Chemkey верификации системы в первый слот.
 3. Выполните процесс под управлением меню.

Раздел 9 Журнал регистрации данных

Журнал данных включает все сохраненные измерения.

1. Нажмите **Main Menu>Data Log** (Главное меню>Журнал данных).
2. Выберите опцию.

Опция	Описание
All Logs by Date (Все журналы по дате)	Показывает результаты измерения пробы: название датчика, серийный номер датчика, значение, единицу измерения, температуру, время, дату, примечания, код оператора, код места и данные калибровки. На дисплее отображается последнее измерение. Нажмите стрелку «влево», чтобы отобразить предыдущие измерения.
Current Cal on Probe (Текущая калибровка по датчику)	Показывает данные калибровки для самой последней калибровки. Если пользователь не выполнял калибровку датчика, то приводятся данные заводской калибровки.
Cal History on Probe (История калибровок по датчику)	Показывает перечень времени выполнения калибровки датчика. Выберите дату и время для просмотра сводки данных калибровки.
Delete Data Log (Удалить журнал данных)	Удаляет сразу все данные по прибору. Данные об устройстве при этом будут сохранены.

9.1 Import data to Excel

▲ ПРЕДУПРЕЖДЕНИЕ



Опасность поражения электрическим током. Внешнее подключаемое оборудование должно соответствовать применимым национальным правилам техники безопасности.

The meter stores the data log in an XML format. The site ID, sequence, date and time, parameter, measured value, units, operator ID, slot #, Chemkey lot code and the meter serial number can be stored in an Excel spreadsheet.

1. Set the meter power to on.
2. Connect the meter with the USB cable to the computer. The meter shows as a drive "Hach Portable Parallel Analysis" on the computer.
3. Open the "DataTemplate" folder from the drive.
4. Open the "LogTemplate.xltx" file.
5. Right click on the cell "A2" and select XML>Import.
6. Select all log files from the "Data" folder from the "Hach Portable Parallel Analysis" drive.
7. Click **Import**.
The data log is shown in the Excel spreadsheet.
8. Save the file to the computer or to a USB flash drive if necessary.
9. Safely remove the meter from the computer. Click on the icon with the green arrow "Safely Remove Hardware and Eject Media" in the task bar.
Примечание: Some icons can be found under "Show hidden icons" in the task bar.
10. Disconnect the USB cable from the meter.

9.2 Look at data in a web browser

To look at the data log in a web browser, do the steps that follow. The site ID, sequence, date and time, parameter, measured value, units, operator ID, slot #, Chemkey lot code and the meter serial number are shown in the selected web browser.

1. Set the meter power to on.
2. Connect the meter with the USB cable to the computer. The meter shows as a drive "Hach Portable Parallel Analysis" on the computer.
3. Open the "Data" folder from the drive.

4. Open a data log file.
 - Open the "LogNN.XML" (NN = digits from 0 to 9) in any browser.
 - From the web browser, click **File>Open menu** and browse to the "Data" folder.
5. Save the file to the computer or to a USB flash drive if necessary.
6. Safely remove the meter from the computer. Click on the icon with the green arrow "Safely Remove Hardware and Eject Media" in the task bar.
Примечание: Some icons can be found under "Show hidden icons" in the task bar.
7. Disconnect the USB cable from the meter.

Раздел 10 Обслуживание

▲ ПРЕДУПРЕЖДЕНИЕ



Различные опасности. Работы, описываемые в данном разделе, должны выполняться только квалифицированным персоналом.

▲ ОСТОРОЖНО



Опасность вредного химического воздействия. Необходимо соблюдать правила техники безопасности и использовать индивидуальные средства защиты, соответствующие используемым химикатам. При составлении протоколов по технике безопасности воспользуйтесь действующими паспортами безопасности / паспортами безопасности материалов (MSDS/SDS).

▲ ОСТОРОЖНО



Опасность вредного химического воздействия. Утилизируйте химические вещества и отходы в соответствии с местными, региональными и общегосударственными правилами и законами.

10.1 Очистка пролитой жидкости

▲ ОСТОРОЖНО



Опасность вредного химического воздействия. Утилизируйте химические вещества и отходы в соответствии с местными, региональными и общегосударственными правилами и законами.

1. Следуйте заводским инструкциям по безопасному сбору разлитой жидкости.
2. Утилизируйте отходы согласно применимым нормативным требованиям.

10.2 Очистка прибора

Очистите наружную поверхность прибора влажной тканью, смоченной слабым мыльным раствором, и при необходимости вытрите прибор насухо.

10.3 Очистка или замена деталей

При возникновении некоторых ошибок и предупреждений необходимо выполнить очистку слотов Chemkey, оптических окон, окна штрих-кода, детектора образцов или замену поддонов. Для очистки деталей используйте изопропиловый спирт. Для очистки светозащитного экрана используйте воду и мягкое моющее средство. Смещать аппликатор с ватным наконечником разрешается только в одном направлении. Порядок снятия крышки доступа к оптике, светозащитного экрана и поддонов см. в [Рисунок 10](#). Подробный порядок проведения очистки см. в [Рисунок 11](#) и [Рисунок 12](#).

Необходимые предметы: аппликатор с ватным наконечником, изопропиловый спирт, вода и мягкое моющее средство

Рисунок 10 Демонтаж и сборка деталей

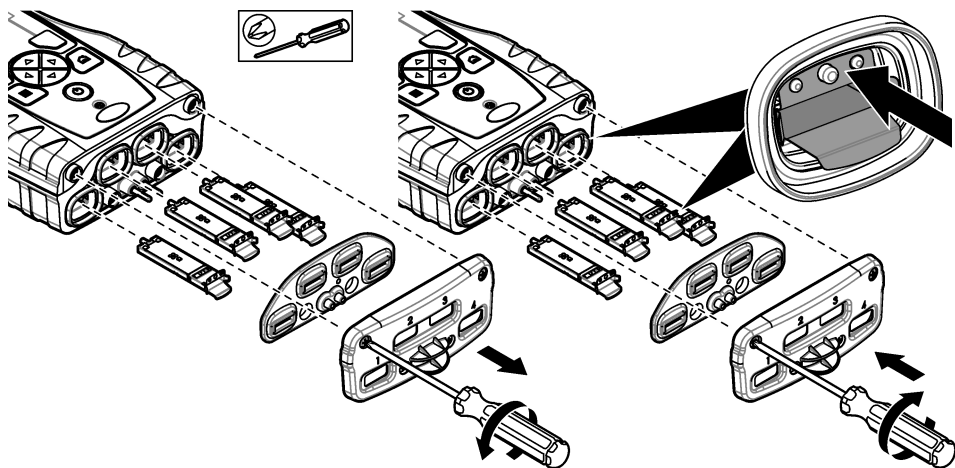
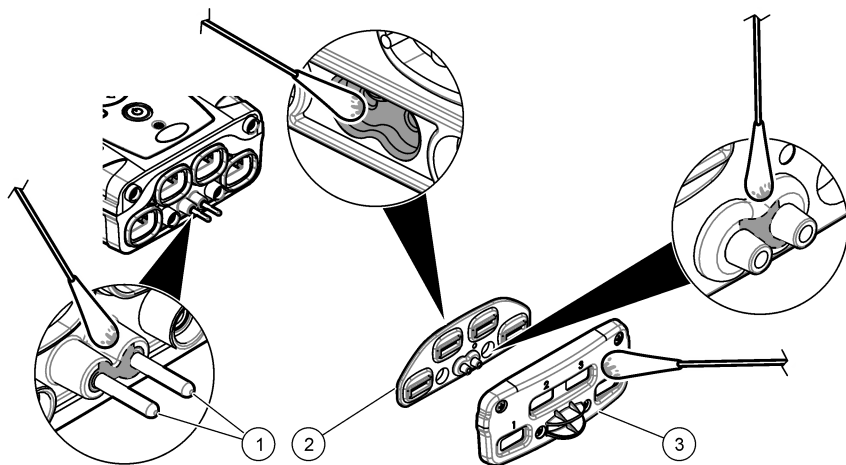


Рисунок 11 Очистка детектора образцов, светозащитного экрана и крышки доступа

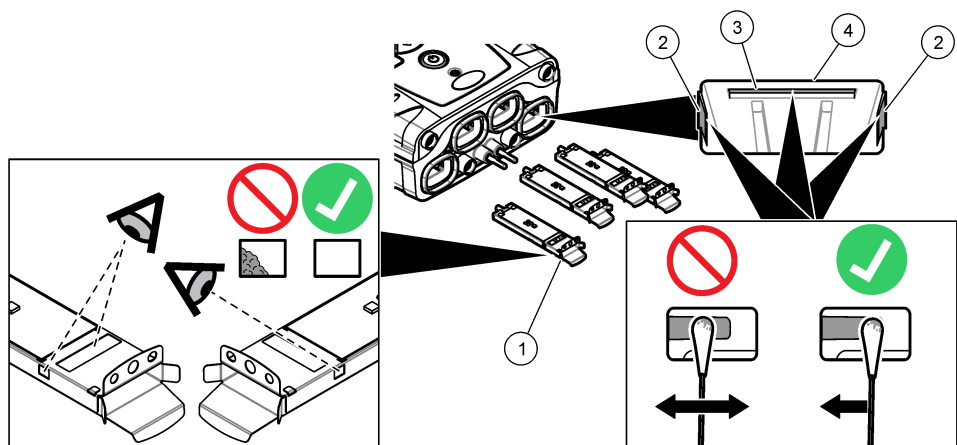


1 Детектор образцов

2 Светозащитный экран

3 Крышка доступа к оптике

Рисунок 12 Очистка поддонов и слотов Chemkey



1 Поддон	3 Окно штрих-кода
2 Оптическое окно	4 Слот Chemkey

10.4 Зарядка или замена аккумулятора

Выполните зарядку аккумулятора, когда уровень питания от аккумулятора становится низким. Замените аккумулятор, если он не держит заряд. Используйте только указанные аккумуляторы, поставляемые изготовителем. См. [Установка батареи](#) на стр. 338 и [Запасные части и принадлежности](#) на стр. 354.

10.5 Подготовка к транспортировке

УВЕДОМЛЕНИЕ

Возможность повреждения прибора. Во избежание повреждения при температуре замерзания слейте всю воду из изделия перед транспортировкой.

Перед отправкой изготовителю обратитесь в службу технической поддержки, чтобы получить инструкции.

- Перед отправкой выполните очистку и обеззараживание прибора.
- Отправлять прибор следует со вставленным в него аккумулятором, но необходимо проверить, чтобы аккумулятор не был подключен к разъему.
- Отсоедините датчики и снимите Chemkey перед отправкой.
- Отправлять прибор следует в заводской упаковке или же в альтернативной безопасной упаковке.

Раздел 11 Поиск и устранение неполадок

Ошибка/Предупреждение	Возможная причина	Решение
Ошибка считывания штрих-кода Вставьте Chemkey еще раз	Неисправная работа Chemkey. Неверная установка Chemkey.	<ul style="list-style-type: none"> • Вставьте Chemkey в слот еще раз. • Используйте новый Chemkey. • Необходимо очистить окно штрих-кода. См. Рисунок 12 на стр. 351. • Если проблема появляется повторно, обратитесь в службу технической поддержки.
Ошибка подачи пробы.	Неисправная работа Chemkey. Chemkey не полностью вставлен в слот.	Используйте новый Chemkey и постарайтесь полностью вставить Chemkey в слот. Если проблема появляется повторно, обратитесь в службу технической поддержки.
Утечка в Chemkey. Попробуйте другой		
Срок Chemkey истек	Время использования данного Chemkey истекло.	
Ошибка измерения (1–4)	В указанном слоте произошла ошибка измерения.	
Параметр не поддерживается	Параметр недоступен на установленном ПО прибора.	Обновить программное обеспечение прибора. Введите «SL1000» в строке поиска на сайте www.hach.com . Перейдите в Downloads>Software/Firmware section (Загрузки>ПО/прошивка) и следуйте инструкциям, указанным на сайте.
Использованный Chemkey — Замените	Данный Chemkey уже был в употреблении или в слот попала вода.	Используйте новый Chemkey. Если проблема появляется повторно, высушите слот и прибор и попробуйте еще раз. Если проблема появляется повторно, обратитесь в службу технической поддержки.
Утечка поддона. Замените поддон.	Произошла проблема с измеряемым поддоном.	Замените поддон. См. Рисунок 10 на стр. 350. Если проблема появляется повторно, обратитесь в службу технической поддержки.
Ошибка нагревателя Замените поддон	Поддон работает неисправно.	
Удалить из образца.	Прибор был помещен в образец до того, как был готов.	Дождитесь, пока прибор будет готов к помещению в образец.
Проба удалена слишком рано		Вставьте в слот другой Chemkey. Дождитесь, пока прибор будет готов к помещению в образец.
Слишком много времени в пробе	Chemkey оставались в образце слишком долго. Произошла ошибка измерения.	Немедленно извлеките Chemkey при появлении соответствующего запроса.
	Область контактов детектора образца загрязнена, если появляется данное предупреждение, когда прибор не находится в образце.	Очистите область контактов детектора образца. См. Очистка или замена деталей на стр. 349. Если проблема появляется повторно, обратитесь в службу технической поддержки.
Выше диапазона	Концентрация выше верхнего пограничного значения для данной методики.	Разведите образец и выполните измерение еще раз.

Ошибка/Предупреждение	Возможная причина	Решение
Ниже диапазона	Концентрация меньше нижнего пограничного значения для данной методики.	—
Поддон слишком холодный.	Прибор может быть слишком холодным для нагрева поддона или нагреватель неисправен.	Переместите прибор в место с более высокой температурой окружающего воздуха и повторите измерение. Замените поддон.
Поддон слишком горячий.	Прибор слишком горячий, чтобы выполнить верное измерение.	Постарайтесь охладить прибор или уберите его из места с высокой температурой окружающего воздуха.
Слишком сильное освещение. Поместите Chemkey в более темное место	Окружающее освещение слишком сильное для считывания штрих-кода.	Переместите прибор в более темное место и вставьте Chemkey в слот еще раз.
Слабое освещение. Очистите слот Chemkey.	Неисправная работа Chemkey. Неверная установка Chemkey.	<ul style="list-style-type: none"> Вставьте Chemkey в слот одним движением. Используйте новый Chemkey. Очистите слот Chemkey. См. Рисунок 12 на стр. 351. Если проблема появляется повторно, обратитесь в службу технической поддержки.
Прибору требуется обслуживание.	Отказ модуля.	Используйте исправные модули. Для ремонта неисправного модуля обратитесь в службу технической поддержки.
Проба не обнаружена.	<ul style="list-style-type: none"> Пробная чашка не заполнена до линии. Электропроводность образца ниже 2 мкСм/см. 	<ul style="list-style-type: none"> Убедитесь в том, что пробная чашка наполнена до линии. Убедитесь в том, что электропроводность образца выше 2 мкСм/см. Очистите детектор образца. См. Рисунок 11 на стр. 350. Если проблема появляется повторно, обратитесь в службу технической поддержки.

11.1 Выполнение диагностической проверки

Меню диагностики включает информацию о текущих версиях прибора и опции форматирования карты памяти.

1. Нажмите **Main Menu>Diagnostics** (Главное меню>Диагностика).
2. Выберите опцию.

Опция	Наименование
Disk Space (Место на диске)	Показывает место на диске для памяти пользователя и внутренней памяти.
Config Versions (Версии конфигурации)	Показывает версии конфигурации настроек прибора.

Опция	Наименование
Method Versions (Версии метода)	Показывает версии методов прибора.
Format Memory (Форматировать память)	Удаляет все данные прибора. Примечание: Все данные прибора (например, конфигурация прибора, коды мест, коды операторов, маршруты, заметки, шаблоны и пр.) будут потеряны в случае выполнения опции Format Memory (Форматировать память).

Раздел 12 Запасные части и принадлежности

▲ ПРЕДУПРЕЖДЕНИЕ



Риск получения травмы. Использование несогласованных деталей может стать причиной травм, повреждения прибора или нарушения в работе оборудования. Запасные детали, описанные в данном разделе, одобрены производителем.

Примечание: Номера изделия и товара могут меняться для некоторых регионов продаж. Свяжитесь с соответствующим дистрибьютором или см. контактную информацию на веб-сайте компании.

См. раздел "Запасные части и принадлежности" в расширенной версии руководства.

İçindekiler

- | | |
|--|--|
| 1 Online kullanım kılavuzu sayfa 355 | 7 Standart çalışma sayfa 363 |
| 2 Teknik özellikler sayfa 355 | 8 Kalibrasyon sayfa 367 |
| 3 Genel bilgiler sayfa 356 | 9 Veri günlüğü sayfa 368 |
| 4 Kurulum sayfa 358 | 10 Bakım sayfa 370 |
| 5 Kullanıcı arayüzü ve gezinme sayfa 360 | 11 Sorun giderme sayfa 373 |
| 6 Başlatma sayfa 362 | 12 Yedek parçalar ve aksesuarlar sayfa 374 |

Bölüm 1 Online kullanım kılavuzu

Bu Temel Kullanım Kılavuzu, üreticinin web sitesinde bulunan Kullanım Kılavuzuna göre daha az bilgi içerir.

Bölüm 2 Teknik özellikler

Teknik özellikler önceden bildirilmeksizin değiştirilebilir.

Teknik Özellik	Ayrıntılar
Boyutlar (G x D x Y)	13,08 x 5,89 x 25,83 cm (5,15 x 2,32 x 10,17 inç)
Muhafaza derecelendirmesi	Cihaz prob konektörü portları için kapakları takılı veya cihaza bağlı problemlerle IP64
Ağırlık	1.2 kg (2.7 lb)
Güç gereksinimleri (dahili)	Lityum iyon yeniden şarj edilebilir pil, 7.4V, 5.0Ah (5000mAh)
Güç gereksinimleri (harici)	100 V–240 VAC, 50/60 Hz giriş, 3 A çıkışta 12 V
Çalışma sıcaklığı (boşaltma)	5 ile 50°C (41 ile 122°F), maksimum %85 bağıl nem (yoğuşmasız)
Şarj sıcaklığı	5 ile 45°C (41 ile 113°F), maksimum %85 bağıl nem (yoğuşmasız)
Depolama sıcaklığı	–20 ile 60°C (–4 ile 140°F), maksimum %85 bağıl nem (yoğuşmasız)
Arayüz	Mini USB portu
5 pimli giriş konektörü	IntelliCal problemleri için iki adet M12 konektörü
Harici güç kaynağı bağlantısı	2,5 mm Jak
Chemkey yuvaları	4
Veri belleği	1000 ölçülmüş değer (sonuç, tarih, saat, saha kimliği, kullanıcı kimliği)
Veri saklama	Okumak İçin Basın ölçüm modunda otomatik. Sürekli ölçüm modunda manuel
Sıcaklık düzeltmesi (IntelliCal™ sondalar için)	Kapalı, otomatik ve manuel (parametreye bağlı olarak)
Ölçüm gösterim kilidi (IntelliCal™ sondalar için)	Okumak İçin Basın ve Sürekli ölçüm modu
Koruma sınıfı	III
Sertifikalar	CE, UKCA, FCC, ISED, RCM, KC
Garanti	1 yıl

Bölüm 3 Genel bilgiler

Üretici, hiçbir koşulda ürünün yanlış kullanımından veya kılavuzdaki talimatlara uyulmamasından kaynaklanan hasarlardan sorumlu tutulamaz. Üretici, bu kılavuzda ve açıkladığı ürünlerde, önceden haber vermeden ya da herhangi bir zorunluluğa sahip olmadan değişiklik yapma hakkını saklı tutmaktadır. Güncellenmiş basımlara, üreticinin web sitesinden ulaşılabilir.

3.1 Güvenlik bilgileri

Üretici, doğrudan, arıza ve sonuç olarak ortaya çıkan zararlar dahil olacak ancak bunlarla sınırlı olmayacak şekilde bu ürünün hatalı uygulanması veya kullanılmasından kaynaklanan hiçbir zarardan sorumlu değildir ve yürürlükteki yasaların izin verdiği ölçüde bu tür zararları reddeder. Kritik uygulama risklerini tanımlamak ve olası bir cihaz arızasında prosesleri koruyabilmek için uygun mekanizmaların bulunmasını sağlamak yalnızca kullanıcının sorumluluğundadır.

Bu cihazı paketinden çıkarmadan, kurmadan veya çalıştırmadan önce lütfen bu kılavuzun tümünü okuyun. Tehlikeler ve uyarılarla ilgili tüm ifadeleri dikkate alın. Aksi halde, kullanıcının ciddi şekilde yaralanması ya da ekipmanın hasar görmesi söz konusu olabilir.



Bu cihazın korumasının bozulmadığından emin olun. Cihazı bu kılavuzda belirtilenden başka bir şekilde kullanmayın veya kurmayın.

3.1.1 Tehlikeyle ilgili bilgilerin kullanılması

▲ TEHLİKE
Kaçınılmadığı takdirde ölüm veya ciddi yaralanmaya yol açan potansiyel veya tehdit oluşturacak tehlikeli bir durumu belirtir.
▲ UYARI
Kaçınılmadığı takdirde ölüm veya ciddi yaralanmaya yol açabilecek potansiyel veya tehdit oluşturabilecek tehlikeli bir durumu belirtir.
▲ DİKKAT
Küçük veya orta derecede yaralanmalarla sonuçlanabilecek potansiyel bir tehlikeli durumu gösterir.
BİLGİ
Engellenmediği takdirde cihazda hasara neden olabilecek bir durumu belirtir. Özel olarak vurgulanması gereken bilgiler.

3.1.2 Uyarı etiketleri

Cihazın üzerindeki tüm etiketleri okuyun. Talimatlara uyulmadığı takdirde yaralanma ya da cihazda hasar meydana gelebilir. Cihaz üzerindeki bir sembol, kılavuzda bir önlem ibaresiyle belirtilir.

	Bu sembol cihazın üzerinde mevcutsa çalışma ve/veya güvenlik bilgileri için kullanım kılavuzuna referansta bulunur.
	Bu sembolü taşıyan elektrikli cihazlar, Avrupa evsel ya da kamu atık toplama sistemlerine atılamaz. Eski veya kullanım ömrünün doldurmuş cihazları, kullanıcı tarafından ücret ödenmesine gerek olmadan atılması için üreticiye iade edin.

3.1.3 Sertifikasyon

EN 55011/CISPR 11 Bildirimi Uyarısı

Bu, bir Sınıf A üründür. Bu ürün, ev çevresinde radyo girişimine neden olabilir, böyle bir durumda kullanıcının uygun önlemleri alması gerekebilir.

Kanada Radyo Girişimine Neden Olan Cihaz Yönetmeliği, ICES-003, A Sınıfı:

Destekleyen test kayıtları, üreticide bulunmaktadır.

Bu A Sınıfı dijital cihaz, Kanada Parazite Neden Olan Cihaz Yönetmeliğinin tüm şartlarını karşılamaktadır.

Cet appareil numérique de classe A répond à toutes les exigences de la réglementation canadienne sur les équipements provoquant des interférences.

FCC PART 15, "A" Sınıfı Limitleri

Destekleyen test kayıtları, üreticide bulunmaktadır. Bu cihaz, FCC Kurallarının 15. bölümüne uygundur. Çalıştırma için aşağıdaki koşullar geçerlidir:

1. Cihaz, zararlı girişime neden olmaz.
2. Bu cihaz, istenmeyen işleyişe yol açabilecek parazit de dahil olmak üzere, alınan her türlü paraziti kabul edecektir.

Bu cihaz üzerinde, uyumluluktan sorumlu tarafın açıkça onaylamadığı her türlü değişiklik, kullanıcının cihazı çalıştırma yetkisini geçersiz kılacaktır. Bu cihaz, test edilmiş ve FCC kuralları, Bölüm 15 uyarınca A Sınıfı bir dijital cihaz limitlerini karşıladığı tespit edilmiştir. Bu limitler, ekipmanın bir işyeri ortamında çalıştırılması durumunda zararlı parazitlere karşı uygun koruma sağlayacak şekilde tasarlanmıştır. Bu cihaz, telsiz frekansı enerjisi üretir, kullandır ve yayabilir ve kullanım kılavuzuna uygun olarak kurulmazsa ve kullanılmazsa telsiz iletişimlerine zararlı parazitlere neden olabilir. Bu cihazın bir konut alanında kullanılması zararlı parazitlere neden olabilir. Böyle bir durumda kullanıcının masrafları kendisine ait olmak üzere bu parazitleri düzeltmesi gerekecektir. Parazit sorunlarını azaltmak için aşağıdaki teknikler kullanılabilir:

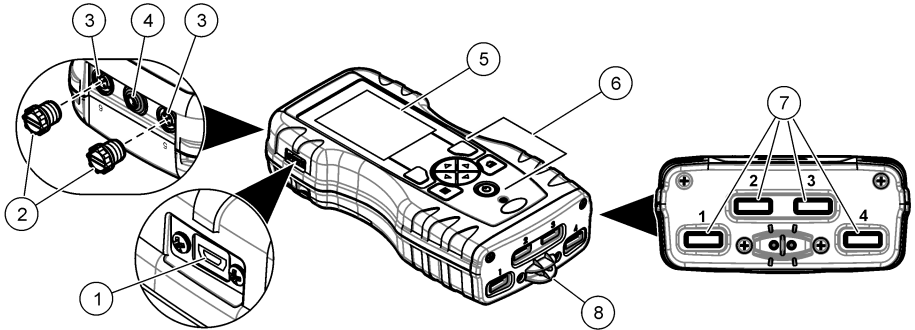
1. Parazitin kaynağı olup olmadığını öğrenmek için bu ekipmanın güç kaynağı bağlantısını kesin.
2. Eğer cihaz, parazit sorunu yaşayan cihazla aynı prize bağlıysa, cihazı farklı bir prize takın.
3. Cihazı parazit alan cihazdan uzaklaştırın.
4. Cihazın parazite neden olduğu cihazın alıcı antenini başka bir yere taşıyın.
5. Yukarıda sıralanan önlemleri birlikte uygulamayı deneyin.

3.2 Ürüne genel bakış

SL1000 taşınabilir paralel analizör, içme suyu ve diğer temiz su uygulamalarında aynı anda en fazla altı parametreyi ölçer. Cihaz, suda farklı parametreleri ölçmek için Chemkey®'ler ve dijital IntelliCAL™ problemleri kullanır. Cihaz, takılı Chemkey'in veya bağlı probun tipini otomatik olarak tanımlar.

Cihaz, ölçümler için en fazla dört Chemkey ve en fazla iki prob kullanabilir. Bkz. [Şekil 1](#).

Şekil 1 Ürüne genel bakış



1 Mini USB portu	5 Ekran
2 Prob konektörü port kapakları	6 Tuş takımı
3 Prob bağlantı portları	7 Chemkey yuvaları
4 Güç erişim portu	8 Numune dedektörü

3.3 Ürün bileşenleri

Bütün bileşenlerin teslim alındığından emin olun. Birlikte verilen belgelere bakın. Eksik veya hasarlı bir öge varsa derhal üretici ya da satış temsilcisiyle iletişime geçin.

Bölüm 4 Kurulum

⚠ UYARI



Birden fazla tehlike. Belgenin bu bölümünde açıklanan görevleri yalnızca yetkili personel gerçekleştirmelidir.

4.1 Lityum pil güvenliği

⚠ UYARI



Yangın ve patlama tehlikesi. Lityum piller kötü kullanım koşullarına maruz kalırsa ısınabilir, patlayabilir veya alev alabilir ve ciddi yaralanmalara sebep olabilir.

- Pilde gözle görünür hasar varsa kullanmayın.
- Pil sert bir darbe veya titreşime maruz kalırsa pili kullanmayın.
- Pili ateşten uzak tutun.
- Pili 60°C'den (140°F) daha düşük sıcaklıkta muhafaza edin.
- Pili kuru şekilde ve sudan uzakta muhafaza edin.
- Pilin pozitif ve negatif terminallerinin temas etmesini önleyin.
- Yetki sahibi olmayan kişilerin pile dokunmasına izin vermeyin.
- Pili yerel, bölgesel ve ulusal yönetmeliklere uygun olarak bertaraf edin.
- Cihazı doğrudan güneş ışığı altında, bir ısı kaynağının yakınında veya yüksek sıcaklık içeren ortamlarda (örneğin doğrudan güneş ışığı altındaki kapalı bir aracın içinde) kullanmayın veya saklamayın.

4.2 Pili takma

⚠ UYARI



Yangın ve patlama tehlikesi. Bu ekipmanda, elektrik akımı olmasa dahi alev alarak yangına veya patlamaya sebebiyet verebilen yüksek enerjili lityum pil yer alır. Cihaz muhafazasının sağladığı güvenliği korumak için cihaz muhafazasının kapakları, verilen donanım kullanılarak takılmalı ve sabitlenmelidir.

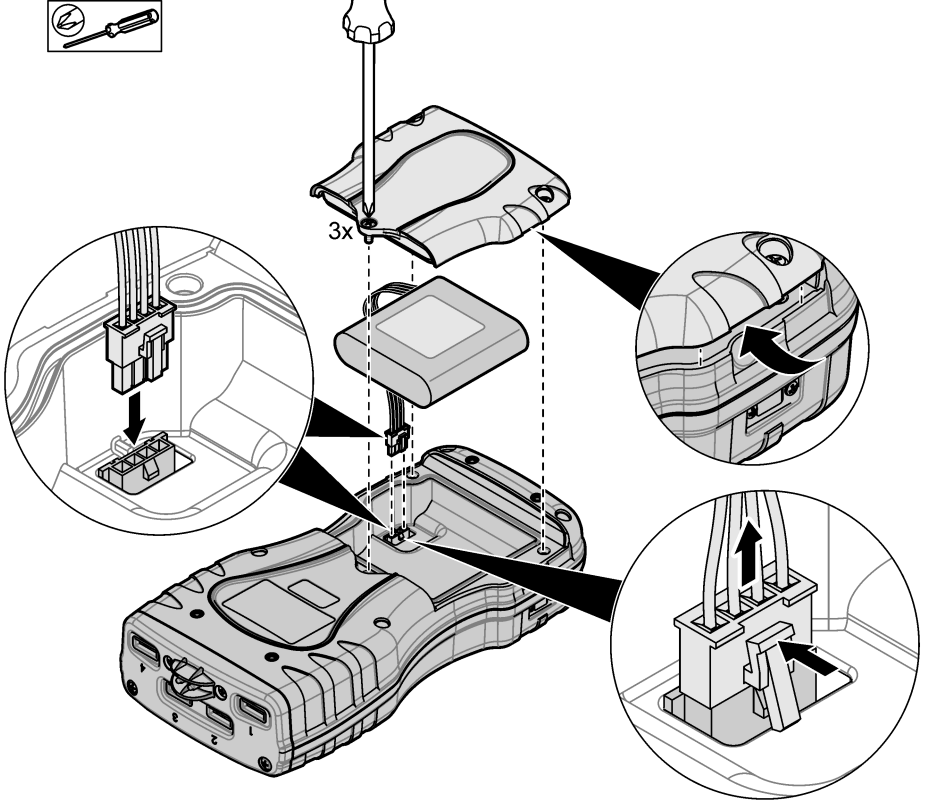
⚠ UYARI



Patlama ve yangın tehlikesi. Başka pil kullanımına izin verilmez. Sadece cihaz üreticisi tarafından verilen pilleri kullanın.

Yalnızca üretici tarafından tedarik edilen şarj edilebilir lityum iyon bazlı pil kullanın. Pili takmak veya çıkarmak için bkz. [Şekil 2](#).

Şekil 2 Pili takma ve çıkarma



4.3 Pilin şarj edilmesi

⚠ UYARI



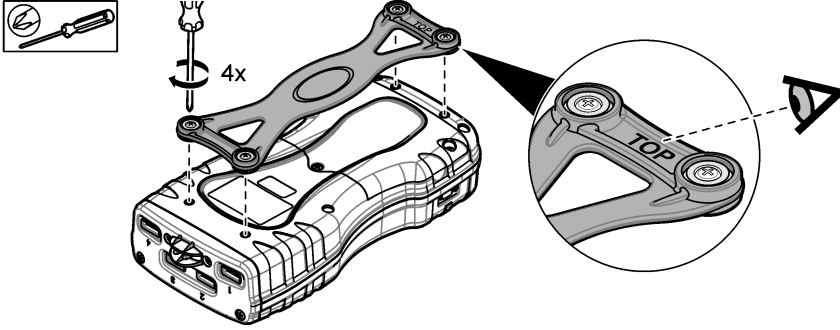
Yangın tehlikesi. Sadece bu ekipman için belirtilmiş harici güç kaynağı kullanınız.

1. Harici güç kaynağını bir AC şebeke çıkış soketine bağlayın.
 2. Harici güç kaynağını, cihazdaki güç erişim portuna bağlayın. Bkz. [Ürüne genel bakış](#) sayfa 357.
- Cihaz, pil şarj edilirken çalıştırılabilir.
 - Başka bir harici güç kaynağı kullanılmasına izin verilmez. Yalnızca cihaz için belirtilen parça ve aksesuar listesindeki harici güç kaynağını kullanın. Bkz. [Yedek parçalar ve aksesuarlar](#) sayfa 374.
 - Pili 24 saatten daha uzun süre şarj etmeyin.

4.4 El bağlama askısını takma

Ölçüm cihazınızı güvenli bir şekilde tutmak için el bağlama askısını takın. Şekil 3'e bakın.

Şekil 3 El bağlama askısını takma

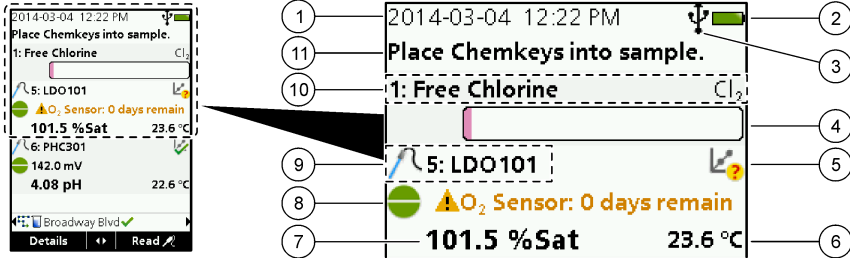


Bölüm 5 Kullanıcı arayüzü ve gezinme

5.1 Ekran açıklaması

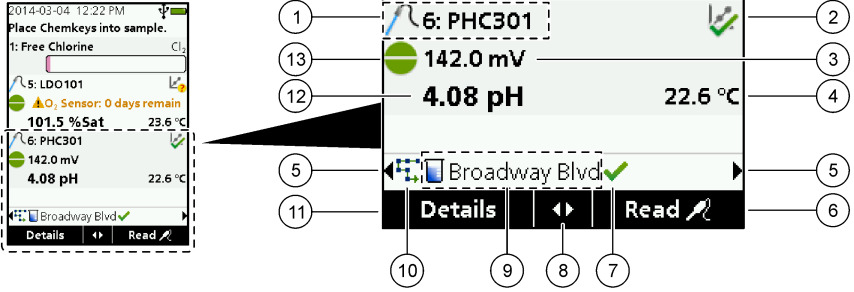
Ölçüm ekranı açıklaması için bkz. Şekil 4 ve Şekil 5.

Şekil 4 Ölçüm ekranı (üst kısım)



1 Tarih ve saat	7 Birincil ölçüm değeri (kullanıcı tarafından seçilen parametre)
2 Pili durumu	8 Uyarı sembolü ve uyarı mesajıyla stabilite sembolü
3 İletişim sınıfı seçildiğinde USB (COM portu) aktif bağlantı sembolü	9 Prob sembolü, port numarası, parametre veya prob adı
4 İlerleme çubuğu (tamamlanmamış ölçüm)	10 Yuva numarası, parametre adı ve kimyasal sembol
5 Kalibrasyon durumu sembolü (kalibrasyon doğru değil)	11 Cihazlar için çok önemli mesaj (ardından hata ve uyarı mesajı gelir)
6 İkincil ölçüm (kullanıcı tarafından seçilen parametre)	

Şekil 5 Ölçüm ekranı (alt kısım)

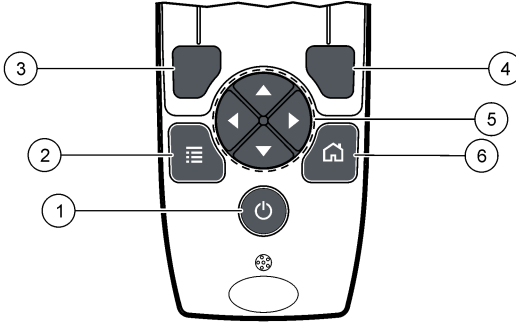


1	Prob sembolü, port numarası, parametre veya prob adı	8	Aktif ok tuşları
2	Kalibrasyon durumu sembolü (kalibrasyon doğru)	9	Saha kimliği sembolü ve saha adı
3	İkincil ölçüm değeri (kullanıcı tarafından seçilen parametre)	10	Rota sembolü (rotalar açık değerine ayarlandığında gösterilir)
4	Üçüncül ölçüm değeri (kullanıcı tarafından seçilen parametre)	11	Seçenekler (duruma bağlı: Ayrıntılar, çık, iptal, seç, seçimi kaldır)
5	Geçerli saha kimliğini seçmek için sağ ve sol oklar	12	Birincil ölçüm değeri (kullanıcı tarafından seçilen)
6	Seçenekler (duruma bağlı: Oku, seç, tamam, sil)	13	Stabilite simgesi
7	Onay işareti: Ölçüm sahada tamamlandı		

5.2 Tuş takımının açıklaması

Tuş takımı açıklamaları ve gezinme bilgileri için bkz. [Şekil 6](#).

Şekil 6 Tuş takımının açıklaması



1 GÜÇ tuşu	4 SAĞ seçim tuşu (duruma bağlı): Numuneleri okuma, silme, seçenekleri belirleme veya onaylama, alt menüleri açma
2 ANA MENÜ tuşu: Doğrulama, kalibrasyon, rotalar, ayarlar, veri günlüğü, bilgi, tanılamalar, operatör kimliği ve site kimliği seçme	5 YUKARI, AŞAĞI, SAĞ, SOL gezinme tuşları ¹ : Menülerde gezinme, sayılar ve harfler girme.
3 SOL seçim tuşu (duruma bağlı): Ayrıntılar, seçme/seçimi kaldırma, geçerli menü ekranını iptal edip öncekine geçme	6 ANA EKРАН: Ana ölçüm ekranına gitme.

Bölüm 6 Başlatma

6.1 Gücün açılması

Cihazı açık veya kapalı konuma getirmek için **GÜÇ** tuşuna basın. Cihaz açılmazsa pilin düzgün takıldığından emin olun.

6.2 Dili değiştirme

Cihaz ilk kez açıldığında, gösterim dilini seçin. Dili, **Ayarlar** menüsünden değiştirin.

1. **Ayarlar>Dil** seçeneğine basın.
2. Geçerli dili seçin.

6.3 Tarihi ve saati değiştirme

Tarih/saat ve bunların formatını belirlemek için iki seçenek mevcuttur:

- Cihaz ilk kez açıldığında tarih ve saat ayarlanabilir.
- Tarih & Saat menüsünden ayarlanabilir.

1. **Ayarlar>Cihaz>Tarih ve Saat**'i seçin.
2. Ok tuşlarını kullanarak tarihin ve saatin formatını seçin, ardından geçerli saat ve tarih bilgilerini girin.
Geçerli tarih ve saat ekran ile kaydedilen ölçüm verilerinde gösterilir.

¹ YUKARI, AŞAĞI: Dörtten fazla ölçüm olduğunda ölçümlerde gezinme, SAĞ, SOL: Operatör ve numune kimliklerinde gezinme.

Bölüm 7 Standart çalıştırma

7.1 Bir kullanıcı kimliği kullanılması

Kullanıcı ismi, ölçümleri kullanıcılarla ilişkilendirir. Tüm saklanan verilerde kullanıcı ismi bulunur. Operatör kimliklerini kolayca yönetmek için "tool.htm" web uygulamasını kullanın. Daha fazla bilgi için üreticinin web sitesine bakın.

1. **Ana Menü>Operatör Kimliği** seçeneğine basın.
2. Bir seçenek belirleyin.

Seçenek	Açıklama
Mod	Operatör Kimliği işlevini açık veya kapalı (varsayılan) değerine ayarlayın.
Seç	Listeden bir kimlik seçin. Geçerli isim, farklı bir isim seçilene kadar numune verileriyle ilişkilendirilecektir. Ana ekranda bir operatör kimliği seçmek için YUKARI ve AŞAĞI okları kullanın. Yuvarlak bir Chemkey yerleştirilmeden veya bir prob bağlanmadan önce, ölçüm ekranından operatör kimliğini seçmek mümkündür.
Oluştur	Yeni operatör kimliği için bir ad girin.
Silme	Varolan bir operatör kimliğini siler.

7.2 Saha kimliği kullanma

Ölçümleri belirli bir numune veya bir konumla ilişkilendirmek için saha kimliği etiketini seçin. Atanırsa, saklanan verilerde bu kimlik bulunur. Saha kimliklerini kolayca yönetmek için "tool.htm" web uygulamasını kullanın. Daha fazla bilgi için üreticinin web sitesine bakın.

1. **Ana Menü>Saha Kimliği** seçeneğine basın.
2. Bir seçenek belirleyin.

Seçenek	Açıklama
Mod	Saha Kimliği işlevini manuel, otomatik, kapalı veya rota değerine ayarlayın. Manuel —Manuel olarak bir saha kimliği seçin. Otomatik —Numuneler, farklı bir kimlik seçilinceye kadar her bir ölçüm için sırayla numaralandırılır. Kapalı —Site kimliği işlevi kapalı (varsayılan) değerine ayarlanır. Rota —Tam saha kimliği listesinin sıralanmış bir alt kümesini sağlar.
Seç	Listeden bir kimlik seçin. Farklı bir kimlik seçilene kadar geçerli kimlik numune verileriyle ilişkilendirilir. Saha Kimliği>Göster seçeneğini Evet değerine ayarlayın. Ölçüm ekranındaki geçerli saha kimliğini seçmek için SAĞ veya SOL oku kullanın. Saha Kimliği>Göster seçeneğinin Evet değerine ayarlandığından ve yuvada en az bir Chemkey'in bulunduğundan veya bir sondanın bağlı olduğundan emin olun.
Oluştur	Yeni bir saha kimliği ekleyin.
Silme	Mevcut saha kimliklerini silin. Not: Bir saha kimliğini silmek için Manuel modunu seçtiğinizden emin olun.
Göster	Ölçüm ekranında saha kimliğini gösterir. Açık veya kapalı değerine ayarlayın.
Rota	Saha kimliklerinin sıralı bir listesini sağlar. Bir rota seçilirse ölçüm ekranında saha kimlikleri otomatik olarak gösterilir ve kaydedilir. Bir sonraki konumu seçmek için SAĞ oka basın. Rotaları ayarlamak için "tool.htm" web uygulamasını kullanın. Daha fazla bilgi için üreticinin web sitesine bakın.
Notlar	Özel bilgileri kaydedin ve bu bilgileri bir olay günlüğüne ekleyin.

7.3 Chemkey ölçümlerini tamamlama

BİLGİ

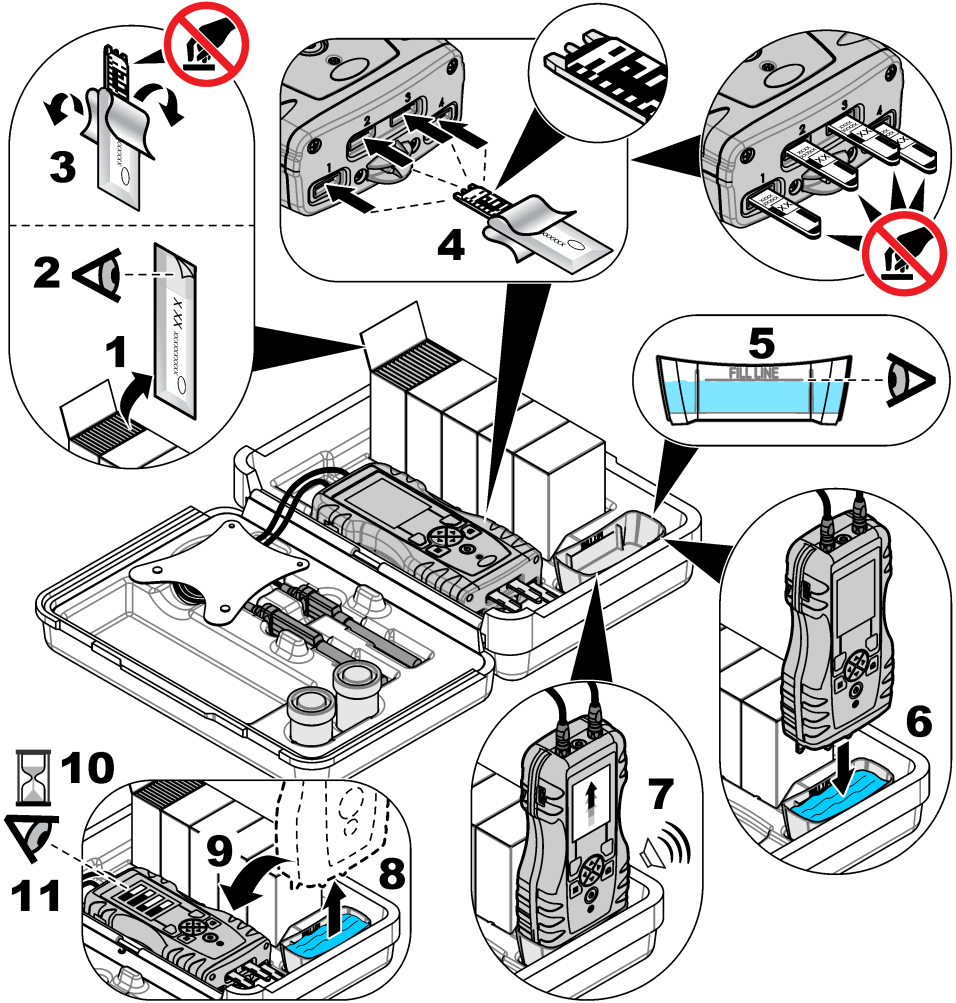
Başka Chemkey ölçümleri tamamlanmadan yeni bir Chemkey ölçümü başlatmayın. Cihazı, bir Chemkey ölçümü için numunenin içine yalnızca bir kez yerleştirin.

Bir ölçümü Chemkey'lerle tamamlamak için aşağıdaki prosedürü uygulayın. Bkz. [Şekil 7](#). Birden çok prob ölçümü aynı anda tamamlanabilir. Bkz. [Prob ölçümlerini tamamlama](#) sayfa 366.

1. Cihazın gücünü açın.
2. Tam izlenebilirlik önemliyse ölçümden önce bir saha kimliği ve operatör kimliği girin. Bkz. [Bir kullanıcı kimliği kullanılması](#) sayfa 363 ve [Saha kimliği kullanma](#) sayfa 363.
3. Geçerli Chemkey'leri tek bir harekette 1-4 numaralı yuvaların içine tam olarak itin. Her bir ölçüm için her zaman yeni bir Chemkey kullandığınızdan emin olun. Chemkey'in yuvanın içine sonuna kadar itilmesi önemlidir.
Chemkey bir yuvanın içindeyken Chemkey'i hareket ettirmeyin veya Chemkey'e dokunmayın.²
4. İçinde numune bulunan numune kabını durulayın.
5. Cihaz numune kabını, doldurma çizgisine kadar numuneyle doldurun.
6. Cihazı, cihaz numune kabının içine yerleştirin.
7. Sesli uyarı ve/veya cihaz çıkarma animasyonunu (1-2 saniye içinde görünür) bekleyin, ardından cihazı hemen numune kabından çıkarın.
Cihazı tekrar kılıfına yerleştirin ve ölçüm tamamlanıncaya kadar bekleyin. Parametrelerin farklı reaksiyon süreleri vardır. Ekranda, ölçümün tamamlanması için kalan süreyle bir ilerleme çubuğu gösterilir.
8. Ölçüm değerleri ekranda gösterilir.
Not: Bir hata gösterildiğinde, daha fazla bilgi için [Ayrıntılar](#) seçeneğine basın.

² Bir serbest amonyak ölçümü için bir monokloramin Chemkey'i ve bir serbest amonyak Chemkey'i gerekir.

Şekil 7 Chemkey numune ölçümü



7.4 Bir prob bağlayın

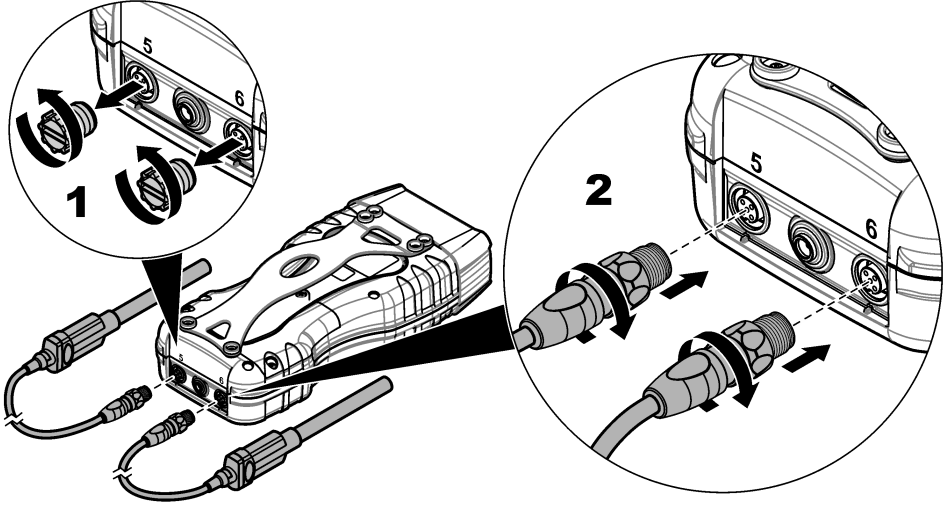
BİLGİ

Prob konektörü port kapaklarını atmayın. Prob bağlı değilken, prob konektörü port kapaklarının takılı olduğundan emin olun.

Ekranda geçerli saatin ve tarihin gösterildiğinden emin olun, daha sonra probu cihaza takın. Bkz. Şekil 8.

Not: Probin zaman damgası, prob ölçüm cihazına ilk bağlandığında konur. Bu zaman damgası, probun geçişini ve ölçümün yapıldığı zamanı kaydetmeyi olanaklı kılar.

Şekil 8 Prob bağlantıları



7.5 Prob ölçümlerini tamamlama

Problarla bir ölçümü tamamlamak için aşağıdaki prosedürü uygulayın. Bkz. [Şekil 9](#). Birden çok Chemkey ölçümü aynı anda tamamlanabilir. Bkz. [Chemkey ölçümlerini tamamlama](#) sayfa 364.

1. İlk kullanımdan önce problemleri kalibre edin. Bkz. [Sondayı kalibre etme](#) sayfa 367.

Not: *En doğru sonuç için problemleri günlük olarak kalibre edin.*

2. Prob bağlanmadan önce cihazın tarihini ve saatini ayarlayın. Bkz. [Tarihi ve saati değiştirme](#) sayfa 362.

Probun servis ömrü zaman damgası doğru olmalıdır.

3. Tam izlenebilirlik önemliyse ölçümden önce bir saha kimliği ve operatör kimliği girin. Bkz. [Bir kullanıcı kimliği kullanılması](#) sayfa 363 ve [Saha kimliği kullanma](#) sayfa 363.

4. Prob konektörü port kapaklarını çıkarın ve problemleri bağlayın. Prob bağlantısı için bkz. [Şekil 8](#) sayfa 366.

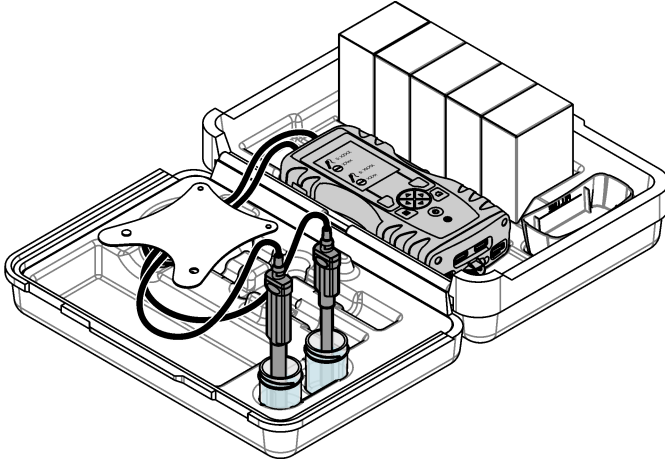
Not: *Prob konektörü port kapaklarını atmayın. Prob konektörü port kapaklarını, prob bağlı değilken tekrar takın.*

5. İçinde numune bulunan numune kaplarını durulayın.

6. Numune kabını, sensör tamamıyla numunenin içinde olacak şekilde numuneyle doldurun.

7. Problemleri prob numune kaplarının içine koyun ve ölçüm modu için **Okumak İçin Basın** değerine ayarlanmışsa **Oku** seçeneğine basın. Daha fazla bilgi için prob belgelerine bakın.

8. Ölçüm değerleri ekranda gösterilir.




Bölüm 8 Kalibrasyon

⚠ DİKKAT



Kimyasal maddelere maruz kalma tehlikesi. Laboratuvar güvenlik talimatlarına uyun ve kullanılan kimyasallara uygun tüm kişisel koruma ekipmanlarını kullanın. Güvenlik protokolleri için mevcut güvenlik veri sayfalarına (MSDS/SDS) başvurun.

8.1 Sondayı kalibre etme

Her sonda farklı bir kalibrasyon çözeltisi kullanır. Ölçümlerin doğruluğunun en üst düzeyde kalmasını sağlamak için problemleri sık sık kalibre etmeyi unutmayın. Cihaz, kalibrasyon durumunu gösterir. Kalibrasyon doğru değilse prob doğru bir şekilde kalibre edilinceye kadar kalibrasyon sembolüyle birlikte bir soru işareti  gösterilir. Kalibrasyon doğru olduğunda, kalibrasyon sembolü yeşil onay işaretiyle gösterilir. Adım adım talimatlar için problemlerle birlikte verilen belgelere başvurun. Kalibrasyon ayarları için Daha fazla bilgi için üreticinin web sitesine bakın.

1. Bir prob bağlayın.
2. Bir kalibrasyon başlatmak için **Ana Menü>Kalibre Et** seçeneğini belirleyin.
3. Cihaza birden fazla prob bağlıysa geçerli probu seçin.
Not: Yalnızca bir prob bağlıysa bu adım gösterilmez.
4. Prob kalibre etmek için ekranda gösterilen talimatları tamamlayın.
Not: Bir ISE probu için gereken şekilde bir sonraki kalibrasyon standardına gitmek üzere SAĞ oka basın. Standartları düşük konsantrasyondan yüksek konsantrasyona doğru ölçün.
5. Gerekirse bir doğrulama yapın. Bkz. [Prob doğrulaması](#) sayfa 368.

8.2 Fabrika kalibrasyonu

Üretici, sistemin amacına uygun şekilde çalışabilmesi için yıllık olarak eksiksiz fabrika kalibrasyonunun tamamlanmasını önerir. Lütfen bölgenizde hizmet veren Hach Servis Merkezi ile iletişimi kurun.

8.3 Belirli bir Chemkey parametresine ilişkin ölçüm cihazını kalibre etme

Her bir Chemkey farklı kalibrasyon ayarları kullanır. Kalibrasyon ayarları için Daha fazla bilgi için üreticinin web sitesine bakın.

1. Geçerli Chemkey'leri yavaşça, tek bir harekette 1-4 numaralı yuvaların içine itin.
2. Bir kalibrasyon başlatmak için **Ana Menü>Kalibre Et** seçeneğini belirleyin.
3. Geçerli Chemkey'i seçin.
4. Geçerli standart ayarlama değerini girin.
5. Chemkey'i kalibre etmek için ekranda gösterilen talimatları tamamlayın.
6. Gerekirse bir doğrulama yapın. Bkz. [Chemkey doğrulaması](#) sayfa 368.

8.4 Prob doğrulaması

1. Bir doğrulama başlatmak için **Ana Menü>Doğrulama** seçeneğini belirleyin.
2. Geçerli cihazı seçin.
3. Doğrulamayı yapmak için ekranda gösterilen talimatları tamamlayın.

Not: Doğrulama için kullanılan standardı değiştirmek üzere **Main Menu>Settings>Probe>[Select Probe]>Verification Options>Standard** (Ana Menü>Ayarlar>Prob>[Prob Seçin]>Doğrulama Seçenekleri>Standart) öğelerine basın.

8.5 Chemkey doğrulaması

Bir Chemkey doğrulaması iki seçenekle tamamlanabilir. Doğrulama için parametreye özel bir Chemkey veya bir sistem doğrulama Chemkey'i kullanın. Bkz. [Yedek parçalar ve aksesuarlar](#) sayfa 374.

• Parametreye özel Chemkey:

1. Parametreye özel Chemkey'i yavaşça, tek bir harekette 1-4 numaralı yuvaların içine itin.
2. Daha sonra, doğrulamayı başlatmak için **Ana Menü>Doğrulama** seçeneğini belirleyin.
3. Menüyle yönlendirilen süreci tamamlayın.

• Sistem doğrulama Chemkey'i:

1. Bir doğrulama başlatmak için **Ana Menü>Doğrulama** seçeneğini belirleyin.
2. Daha sonra, sistem doğrulama Chemkey'ini yavaşça, tek bir harekette ilk yuvanın içine doğru itin.
3. Menüyle yönlendirilen süreci tamamlayın.

Bölüm 9 Veri günlüğü

Veri günlüğü kayıtlı ölçümlerin tümünü gösterir.


1. **Ana Menü>Veri Günlüğü** seçeneğine basın.
2. Bir seçenek belirleyin.

Seçenek	Açıklama
Tarihe Göre Tüm Günlükler	Numune ölçüm sonuçlarını gösterir: Prob adı, prob seri numarası, değer, birim, sıcaklık, saat, tarih, notlar, operatör kimliği, site kimliği ve kalibrasyon ayrıntıları. Son ölçüm ekranda görüntülenir. Önceki ölçümlere bakmak için SOL ok işaretine basın.
Probdaki Geçerli Hesaplama	En son kalibrasyona ilişkin kalibrasyon ayrıntılarını gösterir. Prob kullanıcı tarafından kalibre edilmemişse fabrika kalibrasyon verileri gösterilir.

Seçenek	Açıklama
Probdaki Hesaplama Geçmişi	Probu kalibre edildiği zamanların bir listesini gösterir. Kalibrasyon verilerinin bir özetini görmek için tarih ve saati seçin.
Veri Günlüğünü Sil	Ölçüm cihazının tüm verilerini hemen siler. Cihaz verileri tutulur.

9.1 Verileri Excel'e içe aktarma

⚠ UYARI



Elektrik çarpma tehlikesi. Harici olarak takılı aygıtların uygun ülke güvenliği standart değerlendirmesi bulunmalıdır.

Cihaz, veri günlüğünü XML formatında saklar. Saha kimliği, sıra, tarih ve saat, parametre, ölçülen değer, birimler, operatör kimliği, yuva numarası, Chemkey lot kodu ve cihaz seri numarası, bir Excel elektronik tablosunda saklanabilir.

1. Cihazın gücünü açın.
2. Cihazı, USB kabloyla bilgisayara bağlayın. Cihaz, bilgisayarda bir "Hach Taşınabilir Paralel Analiz" sürücüsü olarak gösterilir.
3. Sürücüden "DataTemplate" klasörünü açın.
4. "LogTemplate.xltx" dosyasını açın.
5. "A2" hücrene sağ tıklayın ve XML>İçe Aktar seçeneğini belirleyin.
6. "Hach Taşınabilir Paralel Analiz" sürücüsünün "Data" klasöründeki tüm günlük dosyalarını seçin.
7. **Import (A)** öğesine tıklayın.
Veri günlüğü, Excel elektronik tablosunda gösterilir.
8. Dosyayı, gerekiyorsa bilgisayara veya bir USB flash sürücüsüne kaydedin.
9. Cihazı güvenli bir şekilde bilgisayardan kaldırın. Görev çubuğundaki "Donanımı Güvenle Kaldır ve Medyayı Çıkar" yeşil okunun olduğu sembole tıklayın.
Not: Bazı semboller, görev çubuğunda "Gizli simgeleri göster" altında bulunabilir.
10. USB kablusunu cihazdan sökün.

9.2 Bir web tarayıcısından verilere bakma

Bir web tarayıcısından veri günlüğe bakmak için aşağıdaki adımları izleyin. Saha kimliği, sıra, tarih ve saat, parametre, ölçülen değer, birimler, operatör kimliği, yuva numarası, Chemkey lot kodu ve cihaz seri numarası, seçilen web tarayıcısında gösterilir.

1. Cihazın gücünü açın.
2. Cihazı, USB kabloyla bilgisayara bağlayın. Cihaz, bilgisayarda bir "Hach Taşınabilir Paralel Analiz" sürücüsü olarak gösterilir.
3. Sürücüden "Data" klasörünü açın.
4. Bir veri günlüğü dosyası açın.
 - Herhangi bir tarayıcıda "LogNN.XML" (NN = 0-9 arasındaki rakamlar) dosyasını açın.
 - Web tarayıcısından **Dosya>Aç menüsüne** tıklayın ve "Data" klasörüne gidin.
5. Dosyayı, gerekiyorsa bilgisayara veya bir USB flash sürücüsüne kaydedin.
6. Cihazı güvenli bir şekilde bilgisayardan kaldırın. Görev çubuğundaki "Donanımı Güvenle Kaldır ve Medyayı Çıkar" yeşil okunun olduğu sembole tıklayın.
Not: Bazı semboller, görev çubuğunda "Gizli simgeleri göster" altında bulunabilir.
7. USB kablusunu cihazdan sökün.

Bölüm 10 Bakım

▲ UYARI



Birden fazla tehlike. Belgenin bu bölümünde açıklanan görevleri yalnızca yetkili personel gerçekleştirmelidir.

▲ DİKKAT



Kimyasal maddelere maruz kalma tehlikesi. Laboratuvar güvenlik talimatlarına uyun ve kullanılan kimyasallara uygun tüm kişisel koruma ekipmanlarını kullanın. Güvenlik protokolleri için mevcut güvenlik veri sayfalarına (MSDS/SDS) başvurun.

▲ DİKKAT



Kimyasal maddelere maruz kalma tehlikesi. Kimyasal maddeleri ve atıkları yerel, bölgesel ve ulusal yönetmeliklere uygun şekilde atın.

10.1 Dökülmeleri temizleme

▲ DİKKAT



Kimyasal maddelere maruz kalma tehlikesi. Kimyasal maddeleri ve atıkları yerel, bölgesel ve ulusal yönetmeliklere uygun şekilde atın.

1. Dökülme kontrolü için tesisin tüm güvenlik protokollerine uyun.
2. Atıkları uygun düzenlemelere göre atın.

10.2 Cihazı temizleme

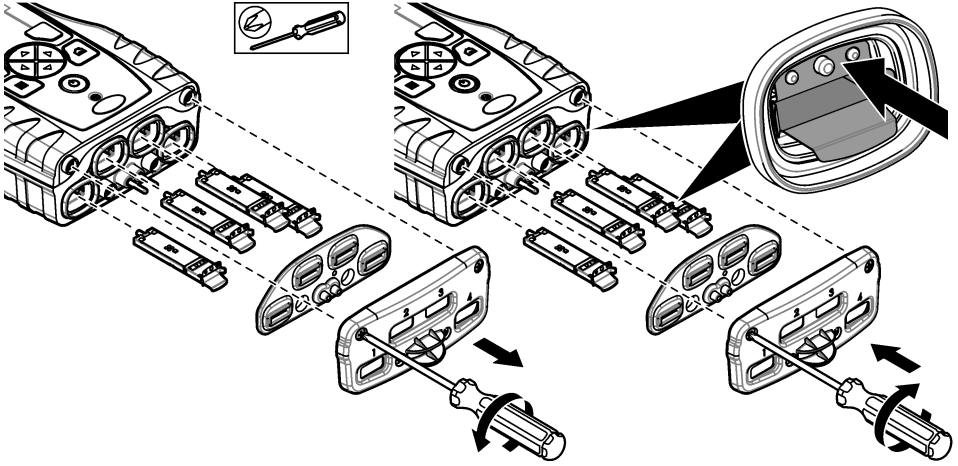
Cihazın dış kısmını nemli bir bezle ve hafif sabunlu bir solüsyonla temizleyin, daha sonra cihazı silerek gereken şekilde kurulaşın.

10.3 Parçaları temizleme veya deęiştirme

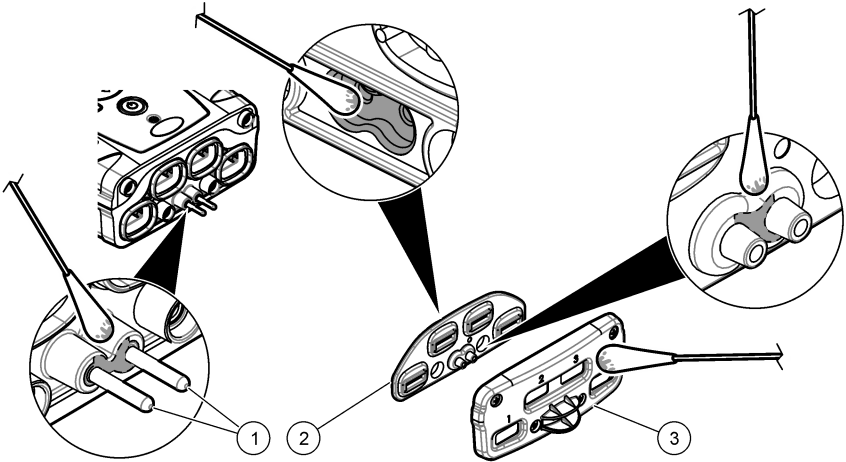
Bazı hatalar ve uyarılar için Chemkey yuvalarının, optik pencerelerin, barkod penceresinin, numune dedektörünün temizlenmesi veya teplsilerin deęiştirilmesi gerekir. Parçaları temizlemek için izopropil alkol kullanın. Işık kalkanını temizlemek için su ve yumuşak bir deterjan kullanın. Pamuk uçlu uygulayıcıyı yalnızca bir yönde hareket ettirdiğinizden emin olun. Optik erişim kapağını, ışık kalkanını ve teplsileri çıkarmak için bkz. [Şekil 10](#). Ayrıntılı temizlik prosedürü için bkz. [Şekil 11](#) ve [Şekil 12](#).

Gerekli öğeler: Pamuk uçlu uygulayıcı, izopropil alkol, su ve yumuşak bir deterjan

Şekil 10 Parçaları çıkarma ve tekrar monte etme



Şekil 11 Numune dedektörü, ışık kalkanını ve erişim kapağını temizleme

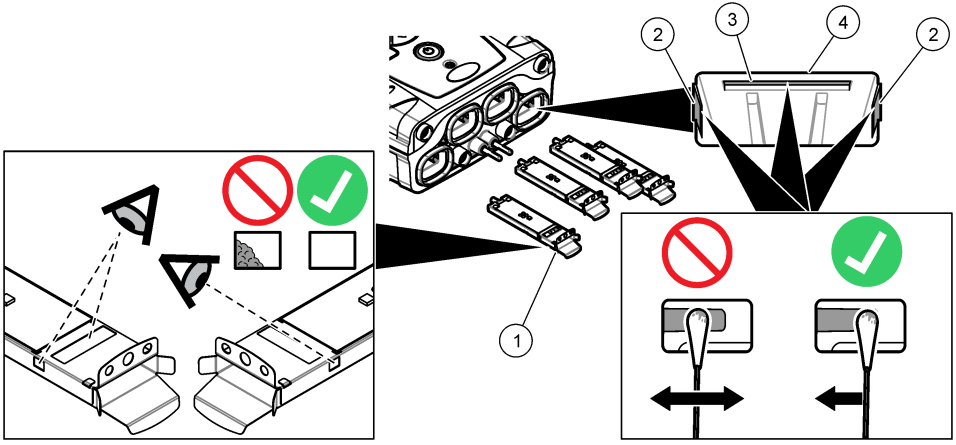


1 Numune dedektörü

2 Işık kalkanı

3 Optik erişim kapağı

Şekil 12 Tepsileri ve Chemkey yuvalarını temizleme



1 Tepsi	3 Barkod penceresi
2 Optik pencere	4 Chemkey yuvası

10.4 Pili şarj etme veya değiştirme

Pili, güç düzeyi düşük olduğunda şarj edin. Pili, şarj tutmadığında değiştirin. Yalnızca üretici tarafından verilen pili kullanın. Bkz. [Pili takma](#) sayfa 358 ve [Yedek parçalar ve aksesuarlar](#) sayfa 374.

10.5 Sevkiyat hazırlığı

BİLGİ

Potansiyel cihaz hasarı. Donma sıcaklıklarından zarar görmemesi için sevkattan önce birimin içindeki tüm suyu boşaltın.

Üreticiye göndermeden önce talimatlar için teknik destek bölümüyle iletişim kurun.

- Göndermeden önce cihazı temizleyip zararlı maddelerden arındırın.
- Aleti, pil cihaza takılı bir halde gönderin, ancak pilin konektöre bağlı olmadığından emin olun.
- Göndermeden önce problemleri sökün ve Chemkey'leri çıkarın.
- Cihazı orijinal ambalajında veya alternatif bir güvenli ambalajda gönderin.

Bölüm 11 Sorun giderme

Hata/Uyarı	Olası neden	Çözelti
Barkod okuma hatası Lütfen Chemkey'leri yeniden yerleştirin	Chemkey düzgün çalışmamaktadır. Chemkey doğru takılmamıştır.	<ul style="list-style-type: none"> Chemkey'i yuvaya tekrar yerleştirin. Yeni bir Chemkey kullanın. Barkod penceresini temizleyin. Bkz. Şekil 12 sayfa 372. Sorun devam ederse teknik destekle iletişim kurun.
Numune içine çekme hatası.	Chemkey düzgün çalışmamaktadır. Chemkey tam olarak yuvaya itilmemiştir.	Yeni bir Chemkey kullanın ve Chemkey'i yuvanın içine sonuna kadar ittiğinizden emin olun. Sorun devam ederse teknik destekle iletişim kurun.
Chemkey Sızıntı Yaptı. Başka birini deneyin		
Chemkey süresi doldu		
Ölçüm Hatası (1-4)		
Parametre desteklenmiyor	Parametre, yüklenen cihaz yazılımında mevcut değil.	Cihaz yazılımını yükseltin. www.hach.com adresinde "SL1000" ürününü arayın. İndirmeler>Yazılım/Bellenim bölümüne gidin ve web sitesindeki talimatları uygulayın.
Kullanılmış Chemkey —Değiştirin	Chemkey önceden kullanılmıştır veya yuvada su vardır.	Yeni bir Chemkey kullanın. Sorun devam ederse yuvayı ve cihazı kurutup işlemi tekrar deneyin. Sorun devam ederse teknik destekle iletişim kurun.
Tepsi sızıntı yaptı. Tepsiyi değiştirin.	Ölçülen tepsiyle ilgili bir sorun ortaya çıkmıştır.	Tepsiyi değiştirin. Bkz. Şekil 10 sayfa 371. Sorun devam ederse teknik destekle iletişim kurun.
Isıtıcı Hatası Tepsiyi Değiştirin	Tepsi doğru şekilde çalışmamaktadır.	
Numuneden çıkarın.	Cihaz, hazır olmadan önce numunenin içine koyulmuştur.	Cihazı numunenin içine koymak için hazır olmasını bekleyin.
Numune çok erken çıkarıldı		Yuvaya başka bir Chemkey yerleştirin. Cihazı numunenin içine koymak için hazır olmasını bekleyin.
Numunede çok uzun süre geçirildi	Chemkey'ler numunede çok uzun süre bırakıldı. Bir ölçüm hatası oluştu.	Yapmanız istendiğinde Chemkey'leri hemen çıkarın.
	Cihaz numunenin içinde değilken uyarı gösterilirse numune dedektörü pim alanı kirlidir.	Numune dedektörü pim alanını temizleyin. Bkz. Parçaları temizleme veya değiştirme sayfa 370. Sorun devam ederse teknik destekle iletişim kurun.
Aralığın Üzerinde	Konsantrasyon, geçerli metodun üst limitinden fazladır.	Numuneyi seyreltin ve ölçümü tekrar yapın.
Aralığın Altında	Konsantrasyon, geçerli metodun alt limitinden azdır.	—
Tepsi çok soğuk.	Cihaz, tepsiyi ısıtamayacak kadar soğuk olabilir veya ısıtıcı çalışmamaktadır.	Cihazı daha sıcak bir ortam sıcaklığına taşıyın ve ölçümü tekrar yapın. Tepsiyi değiştirin.
Tepsi çok sıcak.	Cihaz, doğru bir ölçüm yapmak için çok sıcaktır.	Cihazı soğutun veya sıcak ortamdaki dışarı çıkarın.

Hata/Uyarı	Olası neden	Çözelti
Ortam çok aydınlık. Chemkey'i daha karanlık ortamda yerleştirin	Ortam, barkodun okunması için çok aydınlıktır.	Cihazı daha karanlık bir ortama taşıyın ve Chemkey'i tekrar yuvaya yerleştirin.
Düşük Işık. Chemkey yuvasını temizleyin.	Chemkey düzgün çalışmamaktadır. Chemkey doğru takılmamıştır.	<ul style="list-style-type: none"> Chemkey'i bir itişte yuvanın içine yerleştirin. Yeni bir Chemkey kullanın. Chemkey yuvasını temizleyin. Bkz. Şekil 12 sayfa 372. Sorun devam ederse teknik destekle iletişim kurun.
Cihaz, servis gerektirir.	Modül arızası.	Düzgün çalışan modülleri kullanın. Arızalı modülü onarmak için teknik destekle iletişim kurun.
Numune bulunamadı.	<ul style="list-style-type: none"> Numune kabı dolum çizgisine kadar doldurulmamıştır. Numune iletkenliği 2 $\mu\text{S}/\text{cm}$'nin altındadır. 	<ul style="list-style-type: none"> Numune kabının dolum çizgisine kadar doldurulduğundan emin olun. Numune iletkenliğinin 2 $\mu\text{S}/\text{cm}$ değerinin üzerinde olduğundan emin olun. Numune dedektörünü temizleyin. Bkz. Şekil 11 sayfa 371. Sorun devam ederse teknik destekle iletişim kurun.

11.1 Tanılama kontrolü yapma

Tanılama menüsü, cihazın geçerli sürümleriyle ilgili bilgileri ve bellek kartını biçimlendirme seçeneğini gösterir.

1. **Ana Menü>Tanılamalar** seçeneğine basın.
2. Bir seçenek belirleyin.

Seçenek	Açıklama
Disk Alanı	Kullanıcı belleği ve dahili bellek için kullanılabilir disk alanını gösterin.
Konfigürasyon Sürümleri	Cihaz ayarlarının konfigürasyon sürümlerini gösterin.
Yöntem Sürümleri	Cihazın yöntem sürümlerini gösterin.
Belleği Biçimlendir	Tüm cihaz verilerini silin. Not: Tüm cihaz verileri (ör. cihaz konfigürasyonu, saha kimlikleri, rotalar, notlar, şablonlar ve daha fazlası) Belleği Biçimlendir işlemi tamamlandığında kaybedilir.

Bölüm 12 Yedek parçalar ve aksesuarlar

⚠ UYARI



Fiziksel yaralanma tehlikesi. Onaylanmayan parçaların kullanımı kişisel yaralanmalara, cihazın zarar görmesine ya da donanım arızalarına neden olabilir. Bu bölümdeki yedek parçalar üretici tarafından onaylanmıştır.

Not: Bazı satış bölgelerinde Ürün ve Madde numaraları değişebilir. İrtibat bilgileri için ilgili distribütörle iletişime geçin veya şirketin web sitesine başvurun.

Kılavuzun uzun versiyonundaki Yedek parça ve aksesuarlar kısmına bakın.

Obsah

- | | |
|---|---|
| 1 Používateľská príručka online na strane 375 | 7 Štandardná prevádzka na strane 383 |
| 2 Technické údaje na strane 375 | 8 Kalibrácia na strane 387 |
| 3 Všeobecné informácie na strane 376 | 9 Protokol dát na strane 388 |
| 4 Inštalácia na strane 378 | 10 Údržba na strane 390 |
| 5 Užívateľské rozhranie a navigácia na strane 380 | 11 Riešenie problémov na strane 393 |
| 6 Spustenie do prevádzky na strane 382 | 12 Náhradné diely a príslušenstvo na strane 395 |

Odsek 1 Používateľská príručka online

Základná používateľská príručka obsahuje menej údajov než používateľská príručka, ktorá je dostupná na webovej stránke výrobcu.

Odsek 2 Technické údaje

Technické údaje podliehajú zmenám bez upozornenia.

Technické údaje	Podrobnosti
Rozmery (Š x H x V)	13,08 x 5,89 x 25,83 cm (5,15 x 2,32 x 10,17 palcov)
Stupeň krytia krytu	IP664 s nainštalovanými krytkami pre porty konektorov sondy alebo so sondami pripojenými k prístroju
Hmotnosť	1,2 kg (2,7 lb)
Požiadavky na napájanie (interné)	Lítiovo-iónová dobijateľná batéria, 7.4V, 5.0Ah (5000mAh)
Požiadavky na napájanie (externé)	100 V – 240 VAC, 50/60Hz vstup, 12 V pri 3 A výstup
Prevádzková teplota (vypúšťanie)	5 až 50 °C (41 až 122 °F), relatívna vlhkosť maximálne 85 % (bez kondenzácie)
Teplota nabíjania	5 až 45 °C (41 až 113 °F), relatívna vlhkosť maximálne 85 % (bez kondenzácie)
Teplota počas skladovania	-20 až 60 °C (-4 až 140 °F), relatívna vlhkosť maximálne 85 % (bez kondenzácie)
Rozhranie	Port mini-USB
5-pinový vstupný konektor	Dva konektory M12 pre sondy IntelliCal
Pripojenie externého zdroja napájania	2,5 mm jack
Otvory pre detektor Chemkey	4
Pamäť údajov	1 000 nameraných hodnôt (výsledok, dátum, čas, ID miesta, ID operátora)
Ukladanie údajov	Automaticky v režime merania Stlačiť pre načítanie. Manuálne v kontinuálnom režime merania.
Korekcia teploty (pre sondy IntelliCal™)	Vypnutá, automatická a manuálna (závislé od parametra)
Uzamknutie displeja merania (pre sondy IntelliCal™)	Režim merania Stlačiť pre načítanie a Kontinuálny
Trieda kryty	III
Certifikácie	CE, UKCA, FCC, ISED, RCM, KC
Záruka	1 rok

Odsek 3 Všeobecné informácie

Za žiadnych okolností výrobca nebude niesť zodpovednosť za škody spôsobené nesprávnym používaním produktu alebo nedodržaním pokynov v príručke. Výrobca si vyhradzuje právo na vykonávanie zmien v tomto návode alebo na predmetnom zariadení kedykoľvek, bez oznámenia alebo záväzku. Revidované vydania sú k dispozícii na webových stránkach výrobcu.

3.1 Bezpečnostné informácie

Výrobca nie je zodpovedný za škody spôsobené nesprávnym alebo chybným používaním tohto zariadenia vrátane, okrem iného, priamych, náhodných a následných škôd, a odmieta zodpovednosť za takéto škody v plnom rozsahu povolenom príslušným zákonom. Používateľ je výhradne zodpovedný za určenie kritického rizika pri používaní a zavedenie náležitých opatrení na ochranu procesov počas prípadnej poruchy prístroja.

Pred vybalením, nastavením alebo prevádzkou tohto zariadenia si prečítajte celý návod. Venujte pozornosť všetkým výstrahám a upozorneniam na nebezpečenstvo. Zanedbanie môže mať za následok vznik vážnych zranení obsluhy alebo poškodenie zariadenia.

Ak si chcete byť istí, že ochrana tohto zariadenia nebude porušená, toto zariadenie nepoužívajte ani nemontujte iným spôsobom, ako je uvedený v tomto návode.

3.1.1 Informácie o možnom nebezpečenstve

▲ NEBEZPEČIE

Označuje potenciálne alebo bezprostredne nebezpečnú situáciu, ktorá, ak sa jej nezabráni, spôsobí smrť alebo vážne zranenie.

▲ VAROVANIE

Označuje potenciálne alebo bezprostredne nebezpečnú situáciu, ktorá, ak sa jej nezabráni, by mohla spôsobiť smrť alebo vážne zranenie.

▲ UPOZORNENIE



Označuje potenciálne ohrozenie s možným ľahkým alebo stredne ťažkým poranením.

POZNÁMKA

Označuje situáciu, ktorá, ak sa jej nezabráni, môže spôsobiť poškodenie prístroja. Informácie, ktoré vyžadujú zvýšenú pozornosť.

3.1.2 Výstražné štítky

Preštudujte si všetky štítky a značky, ktoré sa nachádzajú na zariadení. Pri nedodržaní pokynov na nich hrozí poranenie osôb alebo poškodenie prístroja. Symbol na prístroji je vysvetlený v príručke s bezpečnostnými pokynmi.

	Tento symbol na prístroji upozorňuje na prevádzkovú alebo bezpečnostnú informáciu v príručke s pokynmi.
	Elektrické zariadenie označené týmto symbolom sa v rámci Európy nesmie likvidovať v systémoch likvidácie domového alebo verejného odpadu. Staré zariadenie alebo zariadenie na konci životnosti vráťte výrobcovi na bezplatnú likvidáciu.

3.1.3 Certifikáty

EN 55011/CISPR 11; Upozornenie

Toto je produkt triedy A. V prostredí domácnosti môže tento produkt spôsobiť rádiové rušenie. V takom prípade musí používateľ vykonať príslušné opatrenia.

Kanadská smernica týkajúca sa zariadenia spôsobujúceho rádiové rušenie (Canadian Radio Interference-Causing Equipment Regulation), ICES-003, trieda A:

Príslušné protokoly zo skúšok sú uchovávané u výrobcu zariadenia.

Tento digitálny prístroj Triedy A vyhovuje všetkým požiadavkám Kanadskej smernice o zariadeniach spôsobujúcich elektromagnetické rušenie.

Cet appareil numérique de classe A répond à toutes les exigences de la réglementation canadienne sur les équipements provoquant des interférences.

Obmedzenia podľa smernice FCC, Časť 15, Trieda „A“

Príslušné protokoly zo skúšok sú uchovávané u výrobcu zariadenia. Toto zariadenie vyhovuje požiadavkám Časti 15 smernice FCC. Používanie zariadenia podlieha nasledujúcim podmienkam:

1. Zariadenie nesmie spôsobovať elektromagnetické rušenie.
2. Toto zariadenie musí byť schopné prijať akékoľvek rušenie, vrátane takého, ktoré môže spôsobiť nežiadajú prevádzku.

V dôsledku zmien alebo úprav na tomto zariadení vykonaných bez výslovného schválenia organizáciou zodpovednou za posúdenie zhody môže používateľ stratiť oprávnenie prevádzkovať toto zariadenie. Skúškou bolo potvrdené, že toto zariadenie vyhovuje obmedzeniam pre digitálne zariadenia Triedy A, podľa Časti 15 smernice FCC. Tieto obmedzenia sú určené na zabezpečenie primeranej miery ochrany proti elektromagnetickému rušeniu pri prevádzke zariadenia v priemyselnom prostredí. Toto zariadenie vytvára, využíva a môže vyžarovať energiu v pásme rádiových frekvencií a v prípade, ak nie je nainštalované a používané v súlade s návodom na obsluhu, môže spôsobovať rušenie rádiovkej komunikácie. Pri používaní tohto zariadenia v obytnej zóne je vysoká pravdepodobnosť, že dôjde k takémuto rušeniu. V takom prípade je používateľ zariadenia povinný obmedziť elektromagnetické rušenie na vlastné náklady. Pri odstraňovaní problémov s elektromagnetickým rušením možno použiť nasledujúce postupy:

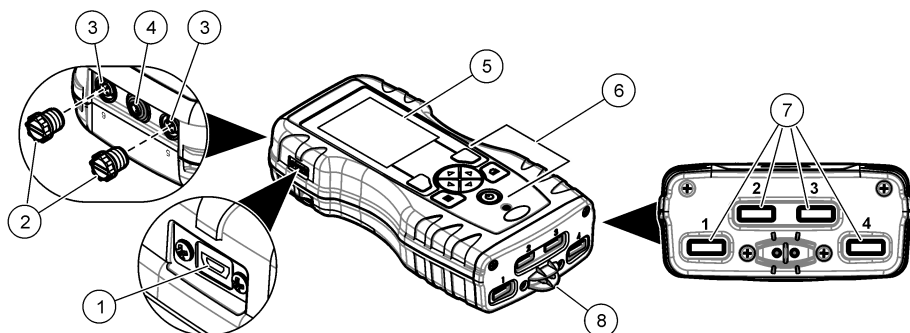
1. Odpojte zariadenie od zdroja napájania a overte, či je skutočne zdrojom elektromagnetického rušenia.
2. Ak je zariadenie pripojené k tej istej zásuvke ako zariadenie zasiahnuté rušením, pripojte ho k inej zásuvke.
3. Presuňte zariadenie ďalej od zariadenia zasiahnutého rušením.
4. Zmeňte polohu prijímacej antény na zariadení zasiahnutom rušením.
5. Skúste kombináciu vyššie uvedených postupov.

3.2 Popis výrobku

Preносný paralelný analyzátor SL1000 meria maximálne šesť parametrov naraz v aplikáciách pitnej vody a iných aplikáciách čistej vody. Na meranie rôznych parametrov vo vode merací prístroj používa detektory Chemkey® a digitálne sondy IntelliCAL™. Merací prístroj automaticky identifikuje typ detektora Chemkey, ktorý je nainštalovaný, alebo typ sondy, ktorá je pripojená k meraciemu prístroju.

Merací prístroj môže na merania použiť maximálne štyri detektory Chemkey a maximálne dve sondy. Pozri [Obrázok 1](#).

Obrázok 1 Popis výrobku



1 Mini port USB	5 Displej
2 Krytky portov konektorov sondy	6 Klávesnica
3 Porty konektorov sondy	7 Otvory pre Chemkey
4 Port elektrického napájania	8 Detektor vzoriek

3.3 Súčasti produktu

Uistite sa, že vám boli doručené všetky súčasti. Pozrite si dodanú dokumentáciu. Ak nejaká položka chýba alebo je poškodená, okamžite sa obráťte na výrobcu alebo obchodného zástupcu.

Odsek 4 Inštalácia

▲ VAROVANIE



Viacnásobné nebezpečenstvo. Úkony popísané v tejto časti návodu smú vykonávať iba kvalifikovaní pracovníci.

4.1 Lithium battery safety

▲ VAROVANIE



Riziko požiaru a výbuchu. Lítiové batérie sa môžu zahriať, explodovať alebo vznietiť a spôsobiť vážne poranenia, ak sú vystavené nevhodným podmienkam.

- Batériu nepoužívajte, ak je viditeľne poškodená.
- Batériu nepoužívajte, ak bola vystavená silnému nárazu alebo vibráciám.
- Batériu nevystavujte ohňu.
- Batériu uchovávajte pri teplote nižšej ako 60 °C (140 °F).
- Batériu uchovávajte v suchu a chráňte pred vodou.
- Zabráňte kontaktu medzi kladnými a zápornými svorkami batérie.
- Nedovoľte, aby sa nepovolané osoby dotýkali batérie.
- Batériu zlikvidujte v súlade s miestnymi, regionálnymi a štátnymi právnymi predpismi.
- Prístroj nepoužívajte ani neskladujte na priamom slnečnom svetle, v blízkosti tepelného zdroja ani v prostredí s vysokou teplotou, ako napr. zatvorené vozidlo na priamom slnečnom svetle.

4.2 Inštalácia batérie

▲ V AROVANIE



Riziko požiaru a výbuchu. Vybavenie obsahuje lítiovú batériu s vysokou energiou, ktorá sa môže vznietiť a spôsobiť požiar alebo explóziu dokonca aj vo vypnutom stave. Aby bolo zabezpečenie tvorené puzdrom nástroja účinné, musia byť kryty zariadenia namontované a zabezpečené pomocou dodaných montážnych prvkov.



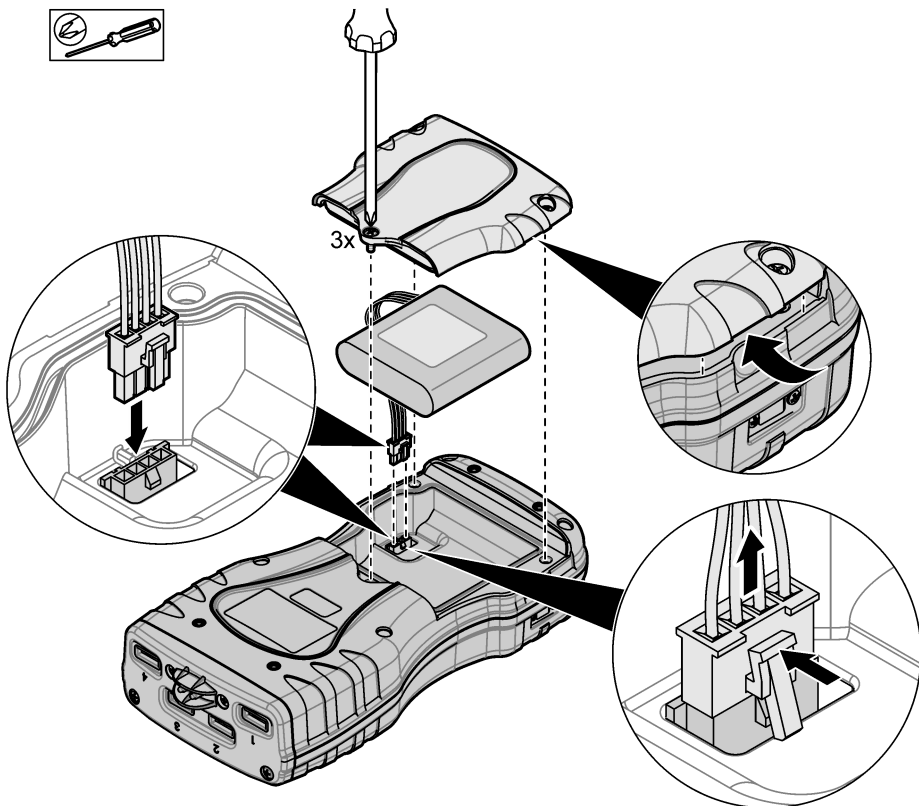
▲ V AROVANIE



Nebezpečenstvo výbuchu a požiaru. Náhraďa batérie nie je povolená. Používajte iba batérie dodané výrobcom prístroja.

Používajte výlučne výrobcom dodávanú lítium-iónovú nabíjateľnú batériu. Inštaláciu alebo vybratie batérie nájdete v časti [Obrázok 2](#).

Obrázok 2 Inštalácia alebo vybratie batérie



4.3 Nabitie batérie

▲ VAROVANIE



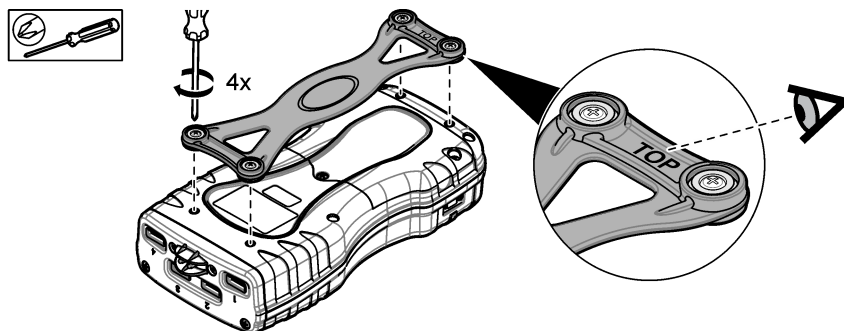
Nebezpečenstvo vzniku požiaru. Používajte iba taký externý napájací zdroj, ktorý je určený pre tento prístroj.

1. Pripojte externý zdroj napájania do sieťovej zásuvky striedavého prúdu.
 2. Pripojte externý zdroj napájania do portu elektrického napájania na meracom prístroji. Pozri [Popis výrobku](#) na strane 377.
- Prístroj sa dá používať aj počas nabíjania batérie.
 - Výmena externého zdroja napájania nie je povolená. Používajte iba externý zdroj napájania špecifikovaný na zozname súčastí a príslušenstva prístroja. Pozri [Náhradné diely a príslušenstvo](#) na strane 395.
 - Batériu nenabíjajte dlhšie ako 24 hodín.

4.4 Inštalácia lanka

Lanko slúži na zaistenie bezpečnosti umiestnenia meracieho prístroja. Pozri časť [Obrázok 3](#).

Obrázok 3 Inštalácia lanka

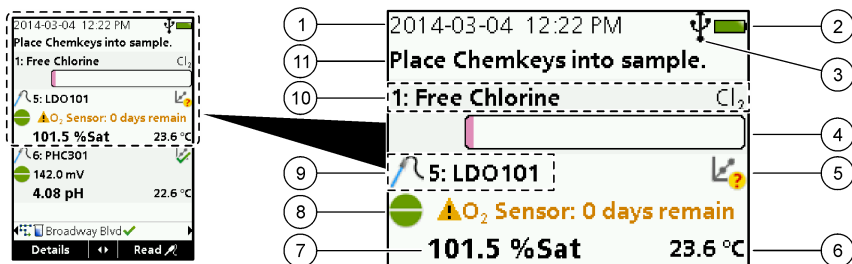


Odsek 5 Užívateľské rozhranie a navigácia

5.1 Popis displeja

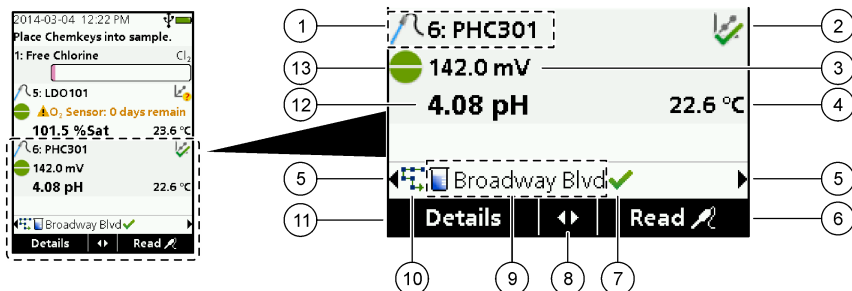
Popis obrazovky merania nájdete v časti [Obrázok 4](#) a [Obrázok 5](#).

Obrázok 4 Obrazovka merania (horná časť)



1 Dátum a čas	7 Hodnota primárneho merania (používateľom zvolený parameter)
2 Stav batérie	8 Ikona stability s výstražnou ikonou a výstražným hlásením
3 Ikona aktívneho pripojenia USB (port COM) pri voľbe triedy komunikácie	9 Ikona sondy, číslo portu, názov parametra alebo sondy
4 Indikátor postupu (nedokončené meranie)	10 Číslo otvoru, názov parametra a chemický symbol
5 Ikona stavu kalibrácie (kalibrácia nie je správna)	11 Veľmi dôležité hlásenie pre zariadenia (potom nasleduje chybové, a potom výstražné hlásenie)
6 Sekundárne meranie (používateľom zvolený parameter)	

Obrázok 5 Obrazovka merania (dolná časť)

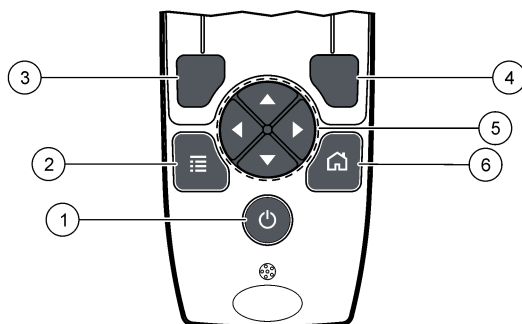


1 Ikona sondy, číslo portu, názov parametra alebo sondy	8 Aktívne klávesy so šípkami
2 Ikona stavu kalibrácie (kalibrácia je správna)	9 Ikona ID miesta a názov miesta
3 Hodnota sekundárneho merania (používateľom zvolený parameter)	10 Ikona trás (zobrazí sa, ak sú trasy zapnuté)
4 Hodnota terciárneho merania (používateľom zvolený parameter)	11 Možnosti (kontextové: Detaily, Skončiť, Zrušiť, Zvoliť, Zrušiť voľbu)
5 Šípky doprava a doľava na výber príslušného ID miesta	12 Hodnota primárneho merania (používateľom zvolený)
6 Možnosti (kontextové: Načítať, Zvoliť, OK, Odstrániť)	13 Ikona stability
7 Značka zaškrtnutia: Meranie na danom mieste dokončené	

5.2 Popis klávesnice

Pozri **Obrázok 6** s popisom klávesnice a informáciami o navigácii.

Obrázok 6 Popis klávesnice



1 Kláves VYPÍNAČ	4 Kláves voľby VPRAVO: (podľa kontextu): načítanie vzoriek, odstraňovanie, výber alebo potvrdenie možností, otvorenie vedľajšej ponuky
2 Kláves Hlavná ponuka: výber verifikácie, kalibrácie, trás, nastavenia, protokolu údajov, informácií, diagnostiky, ID operátora a ID miesta	5 Navigačné klávesy HORE, DOLE, VPRAVO, VĽAVO ¹ : prechádzanie ponukami, zadávanie čísel a písmen.
3 Kláves voľby VĽAVO (podľa kontextu): detaily, výber/zrušenie výberu, zrušenie alebo výstup z aktuálnej ponuky na obrazovke a prechod na predchádzajúcu	6 DOMOVSKÁ OBRAZOVKA: prechod na hlavnú obrazovku merania.

Odsek 6 Spustenie do prevádzky

6.1 Zapnutie napájania

Stlačením klávesu **VYPÍNAČ** merací prístroj zapnete alebo vypnete. Ak sa merací prístroj nezapne, uistite sa, či je batéria správne vložená.

6.2 Zmena jazyka

Zvoľte nastavenie jazyka pri prvom zapnutí meracieho prístroja. Jazyk zmeňte pomocou ponuky **Nastavenia**.

1. Stlačte **Nastavenia > Jazyk**.
2. Zvoľte príslušný jazyk.

6.3 Zmena dátumu a času

Pri nastavení dátumu a času a formátu sú k dispozícii dve možnosti:

- Dátum a čas nastavte pri prvom zapnutí meracieho prístroja.
- Dátum a čas nastavte pomocou ponuky Dátum a čas.

1. Zvoľte **Nastavenia > Mer. prístroj > Dátum a čas**.
2. Pomocou klávesov so šípkami zvoľte formát pre dátum a čas a potom zadajte informácie o aktuálnom dátume a čase.
Na displeji a na protokole s údajmi merania bude zobrazený aktuálny dátum a čas.

¹ HORE, DOLE: prechádzanie meraniami v prípade, ak existujú viac ako štyri merania, VPRAVO, VĽAVO: prechádzanie ID operátorov a ID vzoriek.

Odsek 7 Štandardná prevádzka

7.1 Použitie ID operátora

Značka ID operátora pridruhuje merania k jednotlivému pracovníkovi operátora. Všetky uložené údaje budú obsahovať ID obsluhy.

Na jednoduché spravovanie ID operátorov použite webovú aplikáciu „tool.htm“. Viac informácií nájdete na webovej stránke výrobcu.

1. Stlačte **Hlavná ponuka > ID operátora**.
2. Vyberte voľbu.

Voľba	Popis
Režim	Nastavte funkciu ID operátora na zapnutú alebo vypnutú (východiskové nastavenie).
Vybrať	Zvoľte ID zo zoznamu. Aktuálne ID bude pridružené k údajom vzorky, kým sa nezvolí iné ID. Použitím šípok HORE a DOLE zvolíte ID operátora z domovskej obrazovky. ID operátora sa dá zvoliť na obrazovke merania pred vložením detektora Chemkey do otvoru alebo pripojením sondy.
Vytvoriť	Zadajte meno pre ID nového operátora.
Odstrániť	Vymaže sa existujúce ID operátora.

7.2 Použitie ID miesta

Zvoľte značku ID miesta na priradenie meraní ku konkrétnej vzorke alebo umiestneniu. Ak je priradená, uložené údaje budú obsahovať toto ID.

Na jednoduché spravovanie ID operátorov použite webovú aplikáciu „tool.htm“. Viac informácií nájdete na webovej stránke výrobcu.

1. Stlačte **Hlavná ponuka > ID miesta**.
2. Vyberte voľbu.

Možnosť	Popis
Režim	Nastavte funkciu ID miesta na manuálnu, automatickú, vypnutú alebo na trasy. Manuálne – Zvoľte ID miesta manuálne. Automaticky – Vzorky sú očíslované pre každé meranie postupne, kým sa nezvolí iné ID. Vyp. – Funkcia ID miesta je vypnutá. Trasy – Priradí určený súbor údajov zo zoznamu ID miest.
Vybrať	Zvoľte ID zo zoznamu. Aktuálne ID bude pridružené k údajom vzorky, kým sa nezvolí iné ID. Nastavte ID miesta > Zobrazit' na možnosť Áno. Použitím šípky VPRAVO alebo VĽAVO zvolíte aktuálne ID miesta na obrazovke merania. Zabezpečte, aby bola možnosť ID miesta > Zobrazit' nastavená na Áno a aby bol aspoň jeden detektor Chemkey v otvore alebo aby bola pripojená aspoň jedna sonda.
Vytvoriť	Pridajte nové ID miesta
Odstrániť	Odstráňte existujúce ID miesta/miest. <i>Poznámka: Zabezpečte, aby bol pre odstránenie ID miesta zvolený režim Manuálny.</i>
Zobrazit'	Zobrazí sa ID miesta na obrazovke merania. Nastavte na zapnutie alebo vypnutie.
Trasy	Dodáva usporiadaný zoznam ID miest. Ak je zvolená možnosť trás, ID miest sa automaticky zobrazia na obrazovke merania a zaznamenajú sa. Stlačením šípky VPRAVO zvolíte nasledujúce umiestnenie. Na nastavenie trás použite webovú aplikáciu „tool.htm“. Viac informácií nájdete na webovej stránke výrobcu.
Poznámky	Zaznamenajte zvláštne informácie a pridajte ich do denníka udalostí.

7.3 Merania Chemkey

POZNÁMKA

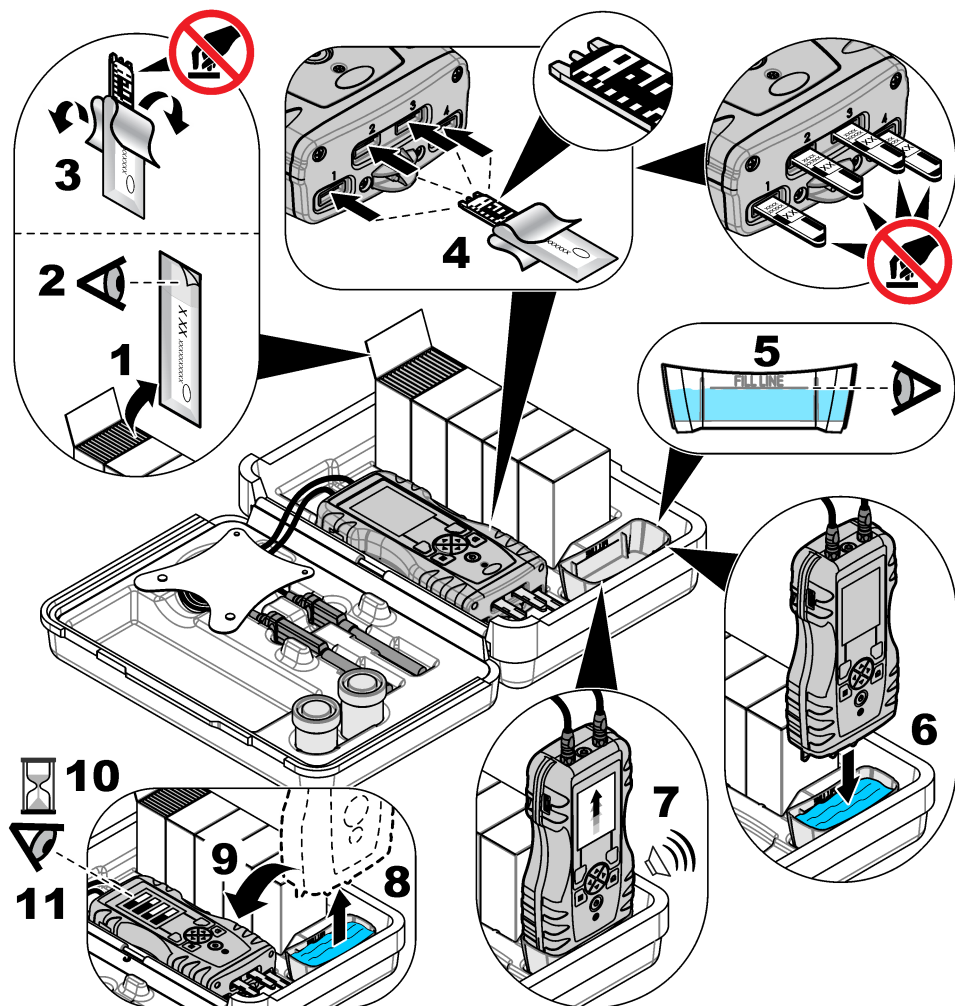
Nezačínajte nové meranie Chemkey, kým ešte nie sú dokončené iné merania Chemkey. Pri meraní Chemkey vložte merací prístroj do vzorky iba raz.

Meranie Chemkey vykonajte podľa nasledujúceho postupu. Pozri [Obrázok 7](#). Merania viacerými sondami sa dajú vykonávať naraz. Pozri [Meranie so sondami](#) na strane 386.

1. Zapnite napájanie meracieho prístroja.
2. Ak je potrebná úplná nadväznosť, pred meraním zadajte ID miesta a ID operátora. Pozri [Použitie ID operátora](#) na strane 383 a [Použitie ID miesta](#) na strane 383.
3. Jedným pohybom úplne zatlačte príslušný/príslušné Chemkey do otvoru/otvorov 1 až 4. Nezabudnite pre každé meranie použiť nový Chemkey. Je dôležité zatlačiť Chemkey úplne do otvoru.
Keď je Chemkey v otvore, nepohybujte ním, ani sa ho nedotýkajte.²
4. Opláchnite nádobku na vzorku so vzorkou.
5. Naplňte nádobku na vzorku meracieho prístroja vzorkou do výšky označenej ryskou.
6. Vložte merací prístroj do nádobky na meranie vzorky.
7. Počkajte na zvukový signál a/alebo na animáciu vybratia meracieho prístroja (do 1 až 2 sekúnd), potom merací prístroj okamžite vyberte z nádobky so vzorkou.
Merací prístroj uložte späť do kufríka a počkajte, kým sa dokončí meranie. Parametre majú rôzne reakčné doby. Displej zobrazuje indikátor s postupom s uvedeným časom, ktorý zostáva do dokončenia merania.
8. Na displeji sa zobrazujú údaje merania.
Poznámka: Keď sa zobrazí chyba, viac informácií zistíte stlačením tlačidla **Detaily**.

² Na meranie voľného amoniaku je potrebný Chemkey pre monochloramín aj Chemkey pre voľný amoniak.

Obrázok 7 Meranie vzoriek pomocou Chemkey



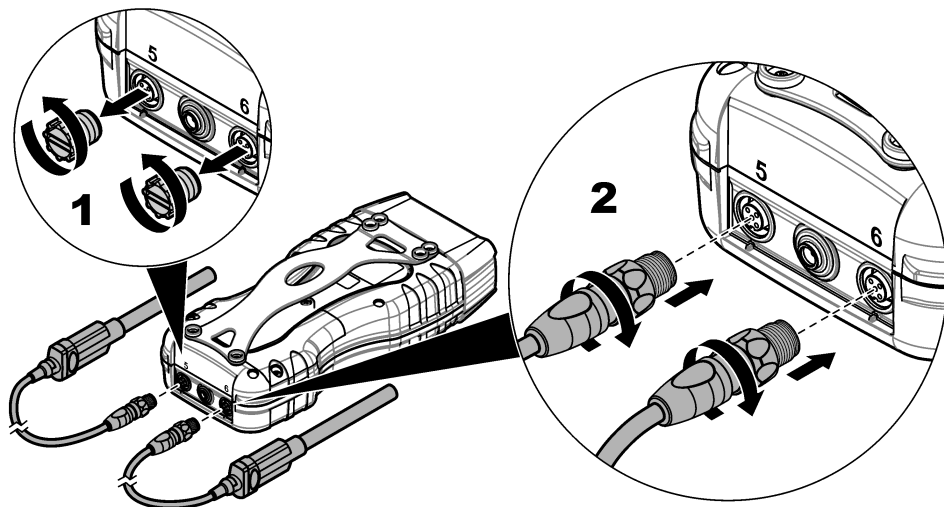
7.4 Pripojenie sondy

POZNÁMKA

Krytky portov konektorov sondy neodhadzujte. Keď nie je pripojená žiadna sonda, zabezpečte, aby boli nasadané krytky portov konektorov sondy.

Skontrolujte, či displej zobrazuje aktuálny čas a dátum, a potom zapojte sondu do meracieho prístroja. Pozri [Obrázok 8](#).

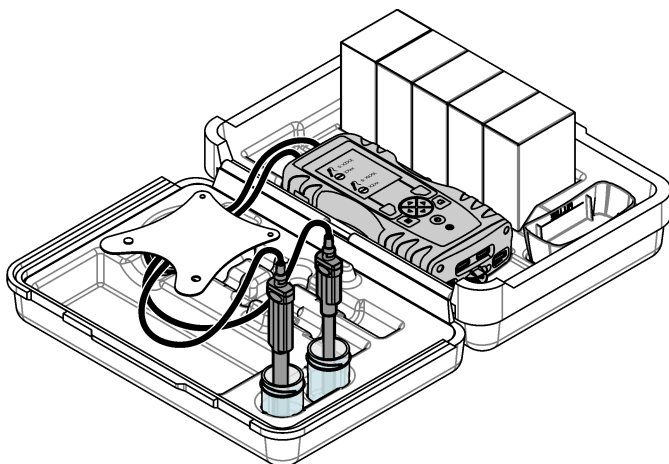
Poznámka: Časová značka sondy sa nastavuje pri prvom pripojení sondy k meraciemu prístroju. Časová značka umožňuje zaznamenávať operácie sondy v chronologickom postupe a zaznamenávať čas vykonania merania.



7.5 Meranie so sondami

Merania so sondou/sondami vykonajte nasledovne. Pozri [Obrázok 9](#). Viacnásobné merania Chemkey sa dajú vykonávať naraz. Pozri [Merania Chemkey](#) na strane 384.

1. Pred prvým použitím vykonajte kalibráciu sond. Pozri časť [Kalibrácia sondy](#) na strane 387.
Poznámka: Najpresnejšie výsledky dosiahnete každodennou kalibráciou sond.
2. Pred pripojením sondy nastavte na meracom prístroji dátum a čas. Pozri [Zmena dátumu a času](#) na strane 382.
Sonda musí mať správnu časovú známku servisnej životnosti.
3. Ak je potrebná úplná nadväznosť, pred meraním zadajte ID miesta a ID operátora. Pozri [Použitie ID operátora](#) na strane 383 a [Použitie ID miesta](#) na strane 383.
4. Odstráňte krytky portov konektorov sondy a pripojte sondu/sondy. Pripojenia sondy nájdete v časti [Obrázok 8](#) na strane 386.
Poznámka: Krytky portov konektorov sondy neodhadzujte. Keď nie je pripojená žiadna sonda, krytky portov konektorov sondy opäť nasadte.
5. Vymyte fľašky na vzorku vzorkou.
6. Naplňte fľašku vzorkou tak, aby bol snímač do vzorky úplne ponorený.
7. Vložte sondu/sondy do fľašky na vzorku sondy a stlačte **Načítať**, ak je režim merania nastavený na **Stlačiť pre meranie**. Ďalšie informácie nájdete v dokumentácii k sonde.
8. Na displeji sa zobrazujú údaje merania.




Odsek 8 Kalibrácia

▲ UPOZORNENIE



Nebezpečenstvo expozície chemikáliám. Dodržiavajte laboratórne bezpečnostné postupy a používajte všetky osobné ochranné pomôcky zodpovedajúce chemikáliám, s ktorými pracujete. Bezpečnostné protokoly nájdete v aktuálnych kartách bezpečnostných údajov (KBÚ).

8.1 Kalibrácia sondy

Pri každej sonde sa používa iný druh kalibračného roztoku. Zaisťujte častú kalibráciu sond, aby sa uchovala vysoká úroveň presnosti. Merací prístroj vám ukáže stav kalibrácie. Ak je kalibrácia nesprávna, zobrazí sa ikona kalibrácie s otáznikom , kým sa sonda nenakalibruje správne. Keď je kalibrácia správna, zobrazí sa ikona kalibrácie so zeleným znakom zaškrtnutia. Podrobné pokyny nájdete v dokumentácii dodanej s každou sondou. Viac informácií nájdete na webovej stránke výrobcu.

1. Pripojte sondu.
2. Na spustenie kalibrácie stlačte **Hlavná ponuka > Kalibrovať**.
3. Ak je k prístroju pripojená viac ako jedna sonda, vyberte príslušnú sondu.
Poznámka: Ak je pripojená iba jedna sonda, tento krok sa nezobrazí.
4. Na dokončenie kalibrácie sondy postupujte podľa pokynov zobrazených na displeji.
Poznámka: V prípade sondy ISE stlačte podľa potreby šípku DOPRAVA a prejdite na ďalší kalibračný štandard. Odmerajte štandardy od najnižšej koncentrácie po najvyššiu.
5. Ak je to potrebné, vykonajte overenie. Pozri [Verifikácia sondy](#) na strane 388.

8.2 Továrnska kalibrácia

Výrobca odporúča, aby sa každoročne vykonávala kompletná továrnska kalibrácia. Tým sa zaisťuje, že systém bude fungovať podľa špecifikácií. Kontaktujte svoje oblasť servisné centrum spoločnosti Hach.

8.3 Kalibrácia meracieho prístroja pre špecifický parameter detektora Chemkey

Každý detektor Chemkey používa odlišné nastavenia kalibrácie. Viac informácií nájdete na webovej stránke výrobcu.

1. Jedným pohybom pomaly zatlačte príslušný Chemkey do otvoru/otvorov 1 až 4.
2. Na spustenie kalibrácie stlačte **Hlavná ponuka > Kalibrovat'**.
3. Zvoľte príslušný Chemkey.
4. Zadajte príslušnú hodnotu štandardného nastavenia.
5. Na dokončenie kalibrácie detektora Chemkey postupujte podľa pokynov zobrazených na displeji.
6. Ak je to potrebné, vykonajte verifikáciu. Pozri [Verifikácia detektorom Chemkey](#) na strane 388.

8.4 Verifikácia sondy

1. Na spustenie overenia stlačte **Hlavná ponuka > Verifikácia**.
2. Zvoľte príslušné zariadenie.
3. Na vykonanie overenia postupujte podľa pokynov zobrazených na displeji.
*Poznámka: Ak chcete zmeniť štandard použitý na overenie, stlačte **Hlavné menu > Nastavenia > Sonda > [Zvoliť sondu] > Možnosti verifikácie > Štandard**.*

8.5 Verifikácia detektorom Chemkey

Verifikáciu detektorom Chemkey možno vykonať dvoma spôsobmi. Na overenie použite buď detektor Chemkey špecifický pre parameter, alebo detektor Chemkey na verifikáciu systému. Pozri [Náhradné diely a príslušenstvo](#) na strane 395.

- **Detektor Chemkey špecifický pre parameter:**
 1. Jedným pohybom pomaly zatlačte Chemkey špecifický pre parameter do otvoru/otvorov 1 až 4.
 2. Potom na spustenie verifikácie stlačte **Hlavná ponuka > Verifikácia**.
 3. Dokončíte proces podľa inštrukcií.
- **Detektor Chemkey na verifikáciu systému:**
 1. Na spustenie overenia stlačte **Hlavná ponuka > Verifikácia**.
 2. Jedným pohybom pomaly zatlačte Chemkey pre verifikáciu systému do prvého otvoru.
 3. Dokončíte proces podľa inštrukcií.

Odsek 9 Protokol dát


Protokol údajov zobrazuje všetky uložené merania.

1. Stlačte **Hlavná ponuka > Protokol dát**.
2. Vyberte voľbu.

Voľba	Popis
Všetky protokoly podľa dátumu	Zobrazia sa výsledky meraní vzoriek: názov sondy, výrobné číslo sondy, hodnota, jednotka, teplota, čas, dátum, poznámky, ID operátora, ID miesta a podrobnosti o kalibrácii. Na displeji sa zobrazí posledné meranie. Predchádzajúce merania zobrazíte stlačením šípky DOLAVA.
Aktuálna kal. na sonde	Zobrazia sa podrobnosti o najaktuálnejšej kalibrácii. Ak sondu nekalibroval používateľ, zobrazia sa údaje kalibrácie z výroby.

Voľba	Popis
História kal. na sonde	Zobrazí sa zoznam časov kalibrácie sondy. Zvoľte dátum a čas na zobrazenie súhmu kalibračných údajov.
Odstránenie protokolu dát	Vymaže naraz všetky údaje meracieho prístroja. Údaje o zariadení sa zachovávajú.

9.1 Import údajov do aplikácie Excel

VAROVANIE	
	<p>Nebezpečenstvo zásahu elektrickým prúdom. Externe pripojené príslušenstvo musí spĺňať požiadavky platných vnútroštátnych bezpečnostných predpisov.</p>

Merací prístroj ukladá protokol údajov vo formáte XML. V tabuľkovom procesore Excel sa dá ukladať ID miesta, poradie, dátum a čas, meraná hodnota, jednotky, ID operátora, č. otvoru, kód šarže Chemkey a výrobné číslo meracieho prístroja.

1. Zapnite napájanie meracieho prístroja.
2. Pripojte merací prístroj pomocou kábla USB k počítaču. Merací prístroj sa v počítači zobrazí ako mechanika „Hach Portable Parallel Analysis“.
3. Z mechaniky otvorte zložku „DataTemplate“.
4. Otvorte súbor „LogTemplate.xlsx“.
5. Pravým tlačidlom kliknite na bunku A2 a zvoľte XML > Import.
6. Zvoľte všetky súbory protokolov zo zložky „Data“ v mechanike „Hach Portable Parallel Analysis“.
7. Kliknite na možnosť **Import**.
Protokol údajov sa zobrazí v tabuľkovom procesore Excel.
8. Ak je to potrebné, uložte súbor do počítača alebo na kľúč USB.
9. Bezpečne odpojte merací prístroj od počítača. Kliknite na ikonu so zelenou šípkou „Bezpečné odstránenie hardvéru a vybratie média“ na paneli nástrojov.
Poznámka: Niektoré ikony sa dajú nájsť pomocou možnosti „Zobraziť skryté ikony“ na paneli nástrojov.
10. Odpojte kábel USB od meracieho prístroja.

9.2 Prezeranie údajov vo webovom prehliadači

Protokol údajov vo webovom prehliadači si prezriete nasledovným spôsobom. Vo zvolenom webovom prehliadači sa zobrazuje ID miesta, poradie, dátum a čas, meraná hodnota, jednotky, ID operátora, č. otvoru, kód šarže Chemkey a výrobné číslo meracieho prístroja.

1. Zapnite napájanie meracieho prístroja.
2. Pripojte merací prístroj pomocou kábla USB k počítaču. Merací prístroj sa v počítači zobrazí ako mechanika „Hach Portable Parallel Analysis“.
3. Z mechaniky otvorte zložku „Data“.
4. Otvorte súbor protokolu údajov.
 - Otvorte „LogNN.XML“ (NN = číslice od 1 do 9) v akomkoľvek prehliadači.
 - Vo webovom prehliadači kliknite na **Súbor > Otvoriť ponuku** a prejdite k zložke „Data“.
5. Ak je to potrebné, uložte súbor do počítača alebo na kľúč USB.
6. Bezpečne odpojte merací prístroj od počítača. Kliknite na ikonu so zelenou šípkou „Bezpečné odstránenie hardvéru a vybratie média“ na paneli nástrojov.
Poznámka: Niektoré ikony sa dajú nájsť pomocou možnosti „Zobraziť skryté ikony“ na paneli nástrojov.
7. Odpojte kábel USB od meracieho prístroja.

Odsek 10 Údržba

▲ VAROVANIE



Viacnásobné nebezpečenstvo. Úkony popísané v tejto časti návodu smú vykonávať iba kvalifikovaní pracovníci.

▲ UPOZORNENIE



Nebezpečenstvo expozície chemikáliám. Dodržiavajte laboratórne bezpečnostné postupy a používajte všetky osobné ochranné pomôcky zodpovedajúce chemikáliám, s ktorými pracujete. Bezpečnostné protokoly nájdete v aktuálnych kartách bezpečnostných údajov (KBÚ).

▲ UPOZORNENIE



Nebezpečenstvo expozície chemikáliám. Chemikálie a odpad likvidujte podľa miestnej, regionálnej a štátnej legislatívy.

10.1 Čistenie rozliatych vzoriek

▲ UPOZORNENIE



Nebezpečenstvo expozície chemikáliám. Chemikálie a odpad likvidujte podľa miestnej, regionálnej a štátnej legislatívy.

1. Riadte sa všetkými laboratórnymi bezpečnostnými protokolmi na kontrolu rozliatych vzoriek.
2. Odpad likvidujte v súlade s príslušnými nariadeniami.

10.2 Čistenie prístroja

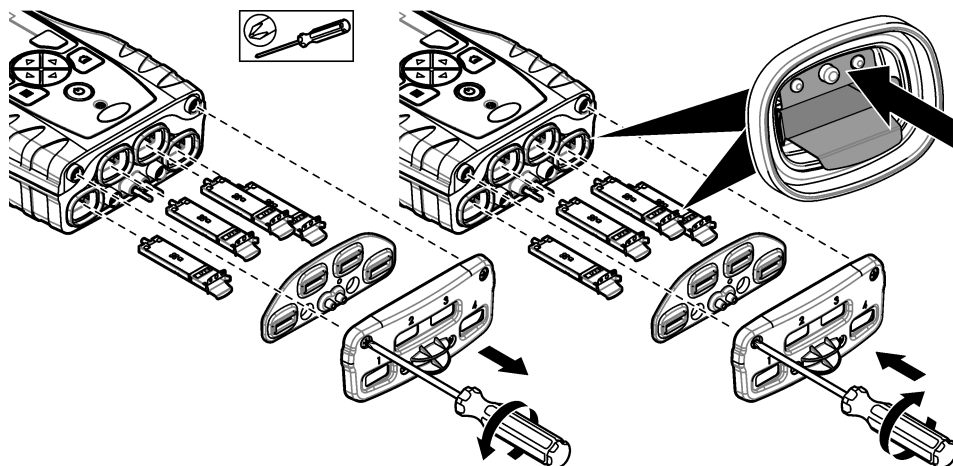
Podľa potreby očistite vonkajší povrch prístroja pomocou utierky navlhčenej v roztoku jemného saponátu a potom prístroj utrite dosucha.

10.3 Čistenie a výmena súčastí

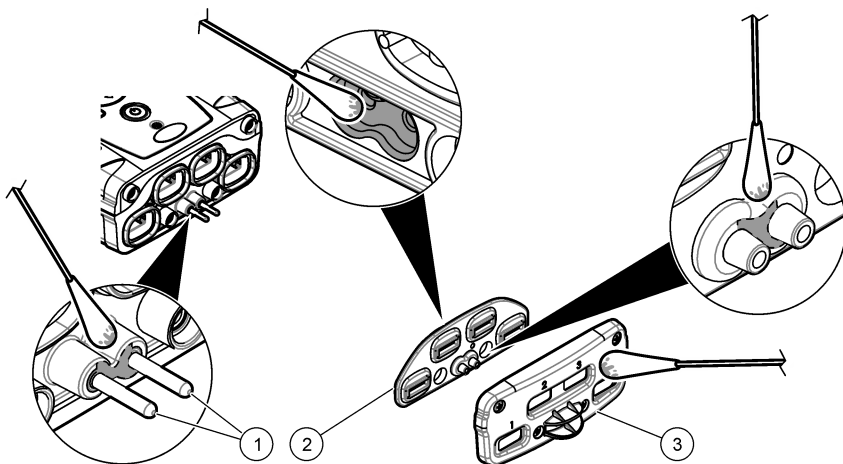
Niektoré chyby a výstrahy si vyžadujú vyčistenie otvorov Chemkey, optických okien, okna snímania čiarového kódu, detektora vzoriek, prípadne výmenu podnosov. Na čistenie súčastí používajte izopropylalkohol. Na čistenie tienidla použite vodu s jemným saponátom. Vatovou tyčinkou pohybujte iba v jednom smere. Postup, ako odstrániť kryt prístupu optiky, tienidlo a podnosy, nájdete na [Obrázok 10](#). Podrobný postup čistenia nájdete v časti [Obrázok 11](#) a [Obrázok 12](#).

Budete potrebovať: vatovú tyčinku, izopropylalkohol, vodu a jemný saponát.

Obrázok 10 Odstraňovanie a opätovná montáž súčastí

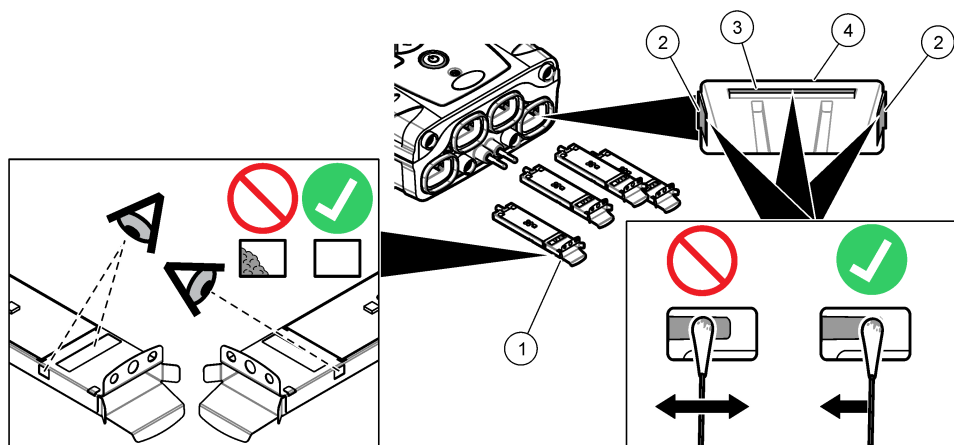


Obrázok 11 Čistenie detektora vzoriek, tienidla a krytu



1 Detektor vzoriek	3 Kryt prístupu optiky
2 Tienidlo	

Obrázok 12 Vyčistite podnosy a otvory Chemkey



1 Podnos	3 Okno snímania čiarového kódu
2 Optické okno	4 Otvor Chemkey

10.4 Nabíjanie alebo výmena batérií

Keď je úroveň nabitia batérie nízka, nabite ju. Keď sa batéria rýchlo vybíja, vymeňte ju. Používajte iba určenú batériu dodávanú výrobcom. Pozri [Inštalácia batérie](#) na strane 379 a [Náhradné diely a príslušenstvo](#) na strane 395.

10.5 Príprava na prepravu

POZNÁMKA

Hrozí poškodenie zariadenia. Pred prepravou z jednotky vypustite všetku vodu, aby ste predišli poškodeniu spôsobenému teplotami pod bodom mrazu.

Pred prepravou k výrobcovi kontaktujte technickú podporu ohľadom príslušných pokynov.

- Pred prepravou prístroj vyčistite a dekontaminujte.
- Merací prístroj prepravujte s nainštalovanou batériou, zabezpečte však, aby batéria nebola pripojená ku konektoru.
- Pred prepravou odpojte sondy a odstráňte Chemkey.
- Prístroj prepravujte v pôvodnom balení alebo v alternatívnom bezpečnom balení.

Odsek 11 Riešenie problémov

Chyba/Výstraha	Možná príčina	Riešenie
Barcode read error Please reinsert Chemkey(s) (Chyba pri snímaní čiarového kódu; Opätovne vložte detektor Chemkey)	Chemkey nepracuje správne. Chemkey nie je nainštalovaný správne.	<ul style="list-style-type: none"> • Opäť vložte Chemkey do otvoru. • Použite nový Chemkey. • Vyčistite okno snímania čiarového kódu. Pozri Obrázok 12 na strane 392. • Ak problém pretrváva, kontaktujte technickú podporu.
Sample aspirate error. (Chyba pri aspirácii vzorky.)	Chemkey nepracuje správne. Chemkey nie je úplne zasunutý do otvoru.	Použite nový Chemkey alebo sa uistite, že je Chemkey úplne zasunutý do otvoru. Ak problém pretrváva, kontaktujte technickú podporu.
Chemkey Leaked. Try another (Došlo k úniku z detektora Chemkey; Použite iný Chemkey)		
Chemkey expired (Detektor Chemkey exspiroval)	Doba životnosti detektora Chemkey vypršala.	
Measurement Error (1–4) (Chyba pri meraní (1 – 4))	V určenom otvore došlo k chybe merania.	
Parameter nie je podporovaný	Parameter nie je podporovaný nainštalovaným softvérom prístroja.	Inovujte softvér prístroja. Na webe www.hach.com zadajte do vyhľadávania výraz „SL1000“. Prejdite do časti Na stiahnutie>Softvér a firmvér a riadte sa pokynmi na webovej stránke.
Used Chemkey—Replace (Použitý detektor Chemkey – výmena)	Detektor Chemkey už bol predtým použitý alebo sa v otvore nachádza voda.	Použite nový Chemkey. Ak problém pretrváva, vysušte otvor a prístroj a vyskúšajte znovu. Ak problém pretrváva, kontaktujte technickú podporu.
Tray leaked. Replace tray. (Únik z podnosu. Vymeňte podnos.)	Došlo k problému s podnosom meracieho prístroja.	Vymeňte podnos. Pozri Obrázok 10 na strane 391. Ak problém pretrváva, kontaktujte technickú podporu.
Heater Error Replace Tray (Chyba ohrievača; Vymeňte podnos)	Podnos nepracuje správne.	
Vyberte zo vzorky.	Merací prístroj bol vložený do vzorky skôr, než bol pripravený.	Počkajte, kým nebude merací prístroj pripravený na vloženie do vzorky.
Sample removed too soon (Vzorka odstránená príliš skoro)		Do otvoru vložte iný Chemkey. Počkajte, kým nebude merací prístroj pripravený na vloženie do vzorky.
Too much time in sample (Príliš dlho vo vzorke)	Detektory Chemkey boli vo vzorke ponechané príliš dlho. Došlo k chybe merania.	Detektory Chemkey vyberte ihneď po výzve.
	Ak sa výstraha zobrazí, keď sa merací prístroj ešte nenachádza vo vzorke, oblasť kolíkov detektora vzoriek je špinavá.	Vyčistite oblasť kolíkov detektora vzoriek. Pozri Čistenie a výmena súčastí na strane 390. Ak problém pretrváva, kontaktujte technickú podporu.
Over Range (Prekročený horný limit)	Koncentrácia je vyššia ako horná hranica pri aktuálnej metóde.	Vzorku zriedte a meranie zopakujte.
Under Range (Prekročený dolný limit)	Koncentrácia je nižšia ako dolná hranica pri aktuálnej metóde.	—

Chyba/Výstraha	Možná příčina	Riešenie
Tray too cold. (Podnos je príliš chladný.)	Merací prístroj je možno príliš chladný na zohriatie podnosu alebo ohrievač nefunguje.	Presuňte merací prístroj do priestoru s vyššou okolitou teplotou a meranie zopakujte. Vymeňte podnos.
Tray too hot. (Podnos je príliš horúci.)	Merací prístroj je príliš horúci na vykonanie správneho merania.	Vychladte merací prístroj alebo ho presuňte z priestoru s vysokou okolitou teplotou.
Too much ambient light. Insert Chemkey in darker environment (Príliš veľa okolitého svetla. Umiestnite detektor Chemkey do tmavšieho priestoru)	Okolité svetlo je príliš jasné na snímanie čiarového kódu.	Presuňte merací prístroj do tmavšieho prostredia a opäť zasuňte Chemkey do otvoru.
Low Light. Clean Chemkey slot. (Málo svetla. Vyčistite otvor Chemkey.)	Chemkey nepracuje správne. Chemkey nie je nainštalovaný správne.	<ul style="list-style-type: none"> Jedným pohybom zasuňte Chemkey do otvoru. Použite nový Chemkey. Vyčistite otvor Chemkey. Pozri Obrázok 12 na strane 392. Ak problém pretrváva, kontaktujte technickú podporu.
Instrument requires service. (Vyžaduje sa servis prístroja.)	Zlyhanie modulu.	Použite moduly, ktoré pracujú správne. Ohľadom opravy chybného modulu kontaktujte technickú podporu.
Sample not found. (Vzorka sa nenašla.)	<ul style="list-style-type: none"> Nádobka na vzorky nie je naplnená po rysku. Vodivosť vzorky je menšia než 2 $\mu\text{S/cm}$. 	<ul style="list-style-type: none"> Zabezpečte, aby bola nádobka na vzorky naplnená po rysku. Zabezpečte, aby bola vodivosť vzorky väčšia než 2 $\mu\text{S/cm}$. Vyčistite detektor vzoriek. Pozri Obrázok 11 na strane 391. Ak problém pretrváva, kontaktujte technickú podporu.

11.1 Vykonanie diagnostickej kontroly

Ponuka diagnostiky zobrazuje informácie o aktuálnych verziách meracieho prístroja a o možnosti formátovania pamätevej karty.

1. Stlačte **Hlavná ponuka > Diagnostika**
2. Vyberte voľbu.

Voľba	Popis
Priestor na disku	Zobrazí sa priestor na disku pre používateľskú pamäť a pre internú pamäť.
Verzie konfigurácií	Zobrazia sa verzie konfigurácií nastavení meracieho prístroja.
Verzie metód	Zobrazia sa verzie metód meracieho prístroja.
Formátovať pamäť	Vymaže všetky údaje meracieho prístroja. Poznámka: Po dokončení činnosti Formátovať pamäť budú stratené všetky údaje meracieho prístroja (napr. konfigurácia meracieho prístroja, ID miest, ID operátorov, trasy, poznámky, šablóny a ďalšie).

Odsek 12 Náhradné diely a príslušenstvo

⚠ V A R O V A N I E



Nebezpečenstvo poranenia osôb. Používanie neschválených častí môže spôsobiť poranenie osôb, poškodenie prístroja alebo poruchy zariadenia. Náhradné diely uvedené v tejto časti sú schválené výrobcom.

Poznámka: Čísla produktov a položiek sa môžu odlišovať v niektorých predajných oblastiach. Pre kontaktné informácie sa obráťte na príslušného distribútora alebo si pozrite webovú stránku spoločnosti.

Pozrite si časť Náhradné diely a príslušenstvo v rozšírenej verzii príručky.

Vsebina

- | | |
|--|--|
| 1 Spletna navodila za uporabo na strani 396 | 7 Standardni postopki na strani 404 |
| 2 Specifikacije na strani 396 | 8 Umerjanje na strani 408 |
| 3 Splošni podatki na strani 397 | 9 Podatkovni dnevnik na strani 409 |
| 4 Namestitvev na strani 399 | 10 Vzdrževanje na strani 411 |
| 5 Uporabniški vmesnik in pomikanje na strani 401 | 11 Odpravljanje težav na strani 414 |
| 6 Zagon na strani 403 | 12 Nadomestni deli in dodatna oprema na strani 415 |

Razdelek 1 Spletna navodila za uporabo

Ta osnovna navodila za uporabo vsebujejo manj informacij, kot jih vsebujejo navodila za uporabo, ki so na voljo na spletnem mestu proizvajalca.

Razdelek 2 Specifikacije

Pridržana pravica do spremembe tehničnih podatkov brez predhodnega obvestila.

Tehnični podatki	Podrobnosti
Mere (Š × G × V)	13,08 × 5,89 × 25,83 cm (5,15 × 2,32 × 10,17 palca)
Zaščita ohišja	IP64 z nameščenimi pokrovčka vrat za priklop sond ali priklopljenimi sondami
Teža	1.2 kg (2.7 funta)
Zahteve za napajanje (notranje)	Akumulatorska litij-ionska baterija, 7.4V, 5.0Ah (5000mAh)
Napajanje (zunanje)	100–240 V AC, 50/60 Hz (dovod), 12 V pri izhodni moči 3 A
Delovna temperatura (praznjenje)	5–50 °C (41–122 °F), največ 85 % relativne vlažnosti (brez kondenzacije)
Temperatura za polnjenje	5–45 °C (41–113 °F), največ 85 % relativne vlažnosti (brez kondenzacije)
Temperatura skladiščenja	–20–60 °C (–4–140 °F), največ 85 % relativne vlažnosti (brez kondenzacije)
Vmesnik	Vrata Mini USB
5-pinski vhodni konektor	Dva priključka M12 za sonde IntelliCal
Priključek zunanjega napajalnika	2,5–mm vtičnica
Reže za reagent Chemkey	4
Pomnilnik	1000 izmerjenih vrednosti (rezultat, datum, čas, ID mesta, ID uporabnika)
Shranjevanje podatkov	Samodejno v načinu Press to Read (Pritisni za meritev). Ročno v načinu Continuous measurement (Neprekinjeno merjenje).
Popravek temperature (za sonde IntelliCal™)	Izklopljen, samodejni ali ročni (glede na parameter)
Zaklep prikaza meritve (za sonde IntelliCal™)	Načina Press to Read (Pritisni za meritev) in Continuous measurement (Neprekinjeno merjenje)
Razred zaščite	III
Certifikati	CE, UKCA, FCC, ISED, RCM, KC
Garancija	1 leto

Razdelek 3 Splošni podatki

Proizvajalec v nobenem primeru ni odgovorjen za škodo, ki bi bila posledica nepravilne uporabe izdelka ali neupoštevanja navodil v priročniku. Proizvajalec si pridržuje pravico do sprememb v navodilih in izdelku, ki ga opisuje, brez vnaprejšnjega obvestila. Prenovljene različice najdete na proizvajalčevi spletni strani.

3.1 Varnostni napotki

Proizvajalec ne odgovarja za škodo, ki bi nastala kot posledica napačne aplikacije ali uporabe tega izdelka, kar med drugim zajema neposredno, naključno in posledično škodo, in zavrača odgovornost za vso škodo v največji meri, dovoljeni z zadevno zakonodajo. Uporabnik je v celoti odgovoren za prepoznavo tveganj, ki jih predstavljajo kritične aplikacije, in namestitev ustreznih mehanizmov za zaščito procesov med potencialno okvaro opreme.

Še pred razpakiranjem, zagonom ali delovanjem te naprave v celoti preberite priložena navodila. Še posebej upoštevajte vse napotke o nevarnostih in varnostne napotke. V nasprotnem primeru obstaja nevarnost hudih poškodb uporabnika oz. škode na opremi.



Zaščita te opreme mora biti brezhibna. Uporabljajte in nameščajte jo izključno tako, kot je navedeno v tem priročniku.

3.1.1 Uporaba varnostnih informacij

⚠ NEVARNOST
Označuje možno ali neposredno nevarno situacijo, ki lahko povzroči smrt ali hude poškodbe.
⚠ OPOZORILO
Označuje možno ali neposredno nevarno situacijo, ki lahko privede do hude poškodbe ali povzroči smrt, če se ji ne izognete.
⚠ PREVIDNO
Označuje možno nevarno situacijo, ki lahko povzroči manjše ali srednje težke poškodbe.
OPOMBA
Označuje situacijo, ki lahko, če se ji ne izognete, povzroči poškodbe instrumenta. Informacija, ki zahteva posebno pozornost.

3.1.2 Opozorilne oznake

Upoštevajte vse oznake in tablice, ki so nahajajo na napravi. Neupoštevanje tega lahko privede do telesnih poškodb ali poškodb naprave. Simbol na merilni napravi se nanaša na navodila s

	Če je na napravi ta simbol, preberite podrobnosti o njem v navodilih za uporabo in/ali v razdelku za informacije o varnosti.
	Električne opreme, označene s tem simbolom, v EU ni dovoljeno odlagati v domačih ali javnih sistemih za odstranjevanje odpadkov. Staro ali izrabljeno opremo vrnite proizvajalcu, ki jo mora odstraniti brez stroškov za uporabnika.

3.1.3 Potrdila

Opozorilo EN 55011/CISPR 11

To je izdelek razreda A V gospodinjstvem okolju lahko ta izdelek povzroči radijske motnje, ki jih bo uporabnik morda moral odpraviti z ustreznimi ukrepi.

Pravilnik za opremo, ki povzroča motnje (Kanada), ICES-003, razred A:

Zapiske o opravljenih preizkusih hrani proizvajalec.

Digitalna naprava razreda A izpolnjuje vse zahteve kanadskega pravilnika glede opreme, ki povzroča motnje.

Cet appareil numérique de classe A répond à toutes les exigences de la réglementation canadienne sur les équipements provoquant des interférences.

FCC del 15, omejitve razreda "A"

Zapiske o opravljenih preizkusih hrani proizvajalec. Ta naprava je skladna s 15. delom pravil FCC. Delovanje mora ustrezati naslednjima pogojema:

1. Oprema lahko ne sme povzročati škodljivih motenj.
2. Oprema mora sprejeti katerokoli sprejeto motnjo, vključno z motnjo, ki jo lahko povzroči neželeno delovanje.

Spremembe ali prilagoditve opreme, ki jih izrecno ne odobri oseba, odgovorna za zagotavljanje skladnosti, lahko razveljavijo uporabnikovo pravico do uporabe te naprave. Oprema je bila preizkušena in je preverjeno skladna z omejitvami za digitalne naprave razreda A glede na 15. del pravil FCC. Te omejitve omogočajo zaščito pred škodljivim sevanjem, ko se naprava uporablja v komercialnem okolju. Ta oprema ustvarja, uporablja in lahko oddaja radiofrekvenčno energijo. Če ni nameščena ali uporabljena v skladu s priročnikom z navodili, lahko povzroča škodljive motnje pri radijski komunikaciji. Uporaba te opreme v bivalnem okolju verjetno povzroča škodljive motnje, zato mora uporabnik motnje na lastne stroške odpraviti. Za zmanjšanje težav z motnjami lahko uporabite naslednje tehnike:

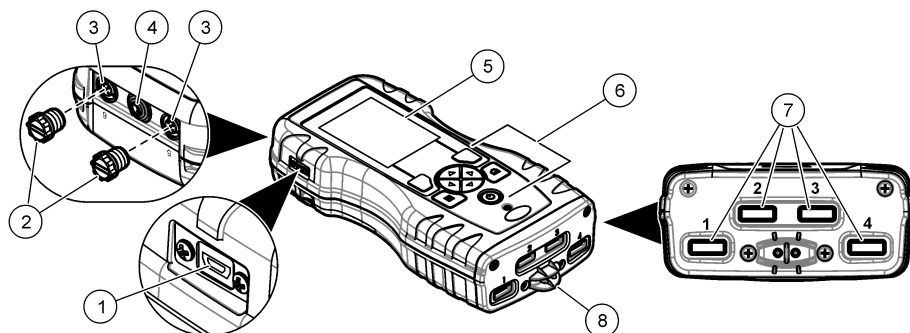
1. Odklopite opremo iz vira napajanja, da preverite, ali je to vzrok motnje.
2. Če je oprema priključena na enako vtičnico kot naprava z motnjami, jo priključite na drugo vtičnico.
3. Opremo umaknite stran od opreme, ki dobiva motnje.
4. Prestavite anteno naprave, ki prejema motnje.
5. Poskusite kombinacijo zgornjih možnosti.

3.2 Pregled izdelka

Prenosni vzporedni analizator SL1000 meri v pitni vodi in pri drugih aplikacijah, povezanih z vodo, največ šest parametrov sočasno. Za meritev različnih parametrov v vodi uporablja merilnik reagente Chemkey® in digitalne sonde IntelliCAL™. Merilnik samodejno zazna vrsto reagenta Chemkey ali vrsto sonde, priklopljene na merilnik.

Merilnik lahko pri meritvah uporablja največ štiri reagente Chemkey in največ dve sondi. Glejte [Slika 1](#).

Slika 1 Pregled izdelka



1 Vrata Mini USB	5 Zaslona
2 Pokrovčka vrat za priklop sond	6 Tipkovnica
3 Vrata za priklop sond	7 Reže za reagent Chemkey
4 Vrata napajalnega priključka	8 Detektor vzorcev

3.3 Sestavni deli izdelka

Preverite, ali ste prejeli vse sestavne dele. Glejte priloženo dokumentacijo. Če kateri koli del manjka ali je poškodovan, se nemudoma obrnite na proizvajalca ali prodajnega zastopnika.

Razdelek 4 Namestitvev

⚠ OPOZORILO



Različne nevarnosti Opravila, opisana v tem delu dokumenta, lahko izvaja samo usposobljeno osebje.

4.1 Varnost litijeve baterije

⚠ OPOZORILO



Nevarnost požara in eksplozije. Litijeve baterije se lahko zaradi zlorabe močno segrejejo, eksplodirajo ali se vnamejo.

- Če je baterija vidno poškodovana, je ne uporabljajte.
- Baterije ne uporabljajte, če so bile izpostavljene močnemu udarcu ali tresenju.
- Baterije ne izpostavljajte ognju.
- Baterijo hranite pri temperaturah pod 60 °C (140 °F).
- Baterijo hranite na suhem mestu, ki ne sme biti izpostavljeno vodi.
- Preprečite stik med pozitivnim in negativnim priključkom baterij.
- Stik z baterijo dovolite samo pooblaščenim osebam.
- Baterijo zavrzite v skladu z lokalnimi in državnimi predpisi.
- Ne uporabljajte in hranite naprave na neposredni sončni svetlobi, blizu vira toplote ali v območjih z visoko temperaturo, kot je npr. zaprto vozilo na neposredni sončni svetlobi.

4.2 Vstavite baterijo

▲ OPOZORILO



Nevarnost požara in eksplozije. V opremo je vgrajena visokozmogljiva litijeva baterija, ki se lahko vname in povzroči požar ali eksplozijo, tudi če ni pod napetostjo. Da ohranite zaščito, ki jo nudi ohišje instrumenta, morate na ohišje instrumenta namestiti pokrove in jih pritrditi s priloženo opremo.

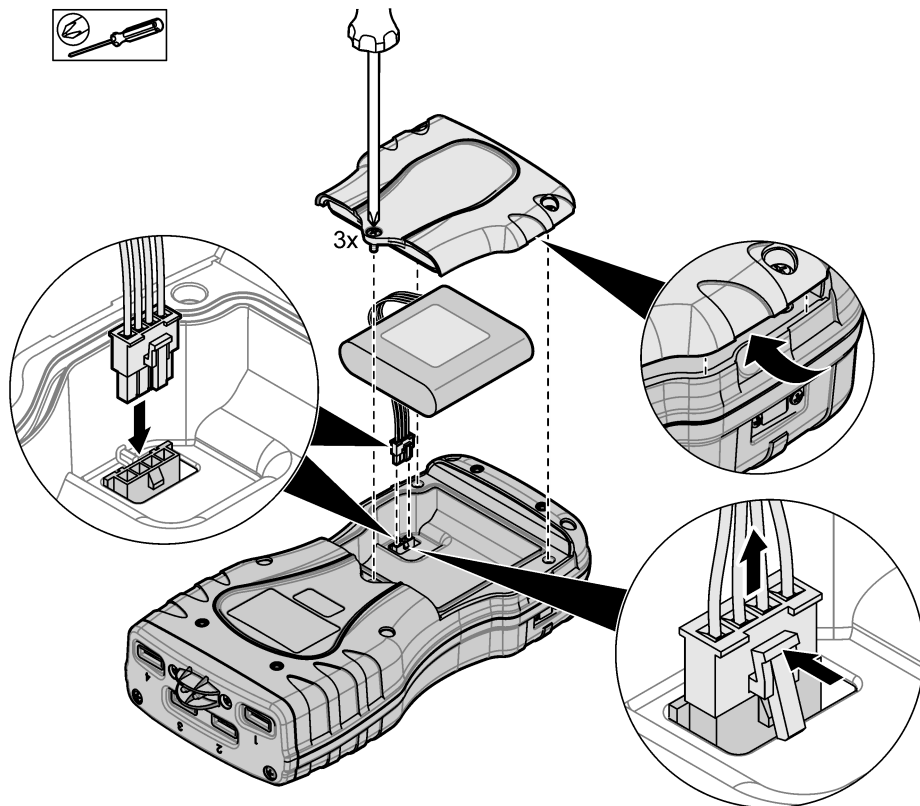
▲ OPOZORILO



Nevarnost eksplozije in požara. Nadomeščanje baterij ni dovoljeno. Uporabljajte samo baterije, ki jih dobavi proizvajalec pripomočka.

Uporabljajte izključno litij-ionske baterije za ponovno polnjenje, ki jih dobavi proizvajalec. Za navodila za namestitvev in odstranitev baterije glejte [Slika 2](#).

Slika 2 Namestitvev in odstranitev baterije



4.3 Polnjenje baterije

▲ OPOZORILO



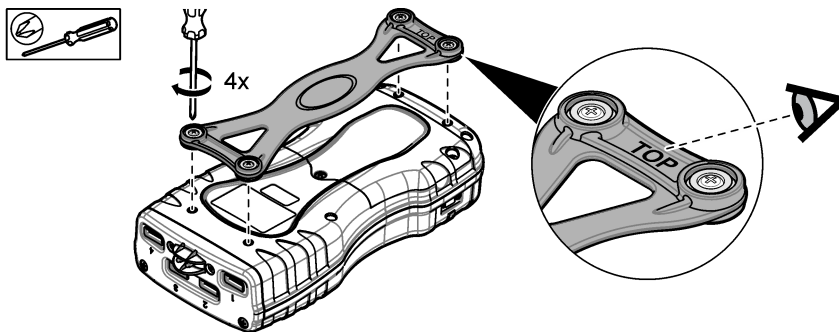
Nevarnost požara. Uporabljajte samo zunanje napajanje, ki je podano za ta instrument.

1. Zunanji napajalnik vklopite v vtičnico električnega omrežja (izmenični tok).
2. Zunanji napajalnik vklopite v vtičnico v merilniku. Glejte [Pregled izdelka](#) na strani 398.
 - Instrument je mogoče uporabljati že med polnjenjem baterije.
 - Zamenjava zunanjega napajalnika ni dovoljena. Uporabljajte samo zunanje napajalnike, navedene v seznamu delov in dodatne opreme instrumenta. Glejte [Nadomestni deli in dodatna oprema](#) na strani 415.
 - Baterije ne polnite več kot 24 ur.

4.4 Namestitev vrvice

Namestite vrstico za varno držanje merilnika. Glejte [Slika 3](#).

Slika 3 Namestitev vrvice

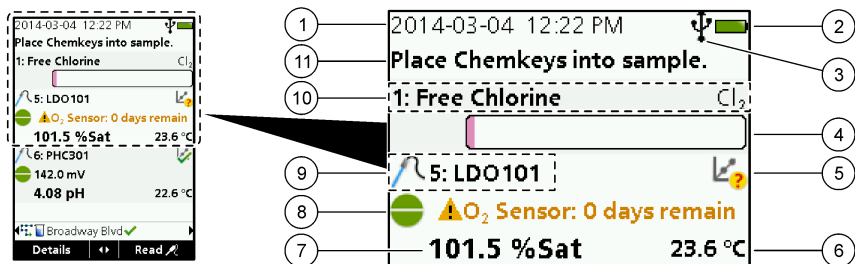


Razdelek 5 Uporabniški vmesnik in pomikanje

5.1 Opis zaslona

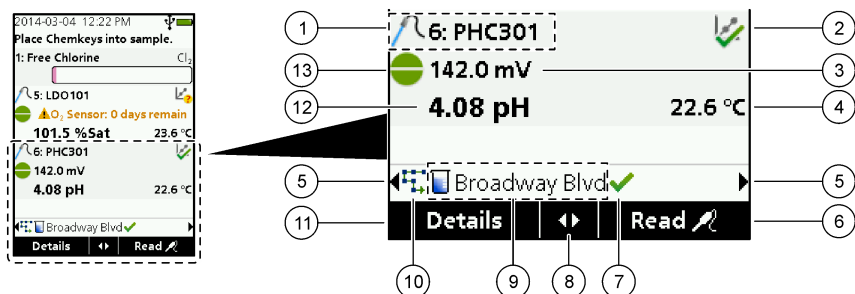
Za opis zaslona z meritvami glejte [Slika 4](#) in [Slika 5](#).

Slika 4 Zgornji del zaslona z meritvami



1 Datum in čas	7 Vrednost primarne meritve (uporabniško izbran parameter)
2 Stanje baterije	8 Ikona stabilnosti z ikono za opozarjanje in opozorilo
3 Ikona za komunikacijo prek USB (vrata COM) ko je izbrana vrsta komunikacijskega kanala	9 Ikona sonde, št. vrat, ime parametra ali sonde
4 Vrstica poteka (nedokončane meritve)	10 Št. reže, ime parametra in simbol kemijskega elementa
5 Ikona stanja umerjanja (neustrezno umerjanje)	11 Zelo pomembno sporočilo za naprave (sledita napaka in opozorilo)
6 Sekundarna meritev (uporabniško izbran parameter)	

Slika 5 Spodnji del zaslona z meritvami

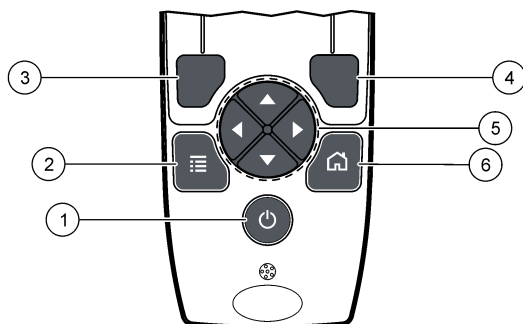


1 Ikona sonde, št. vrat, ime parametra ali sonde	8 Aktivni puščični tipki
2 Ikona stanja umerjanja (ustrezno umerjanje)	9 Ikona ID mesta in ime mesta
3 Vrednost sekundarne meritve (uporabniško izbran parameter)	10 Ikona poti (prikazana, ko so poti vklopljene)
4 Vrednost terciarne meritve (uporabniško izbran parameter)	11 Možnosti (glede na kontekst: Details (Podrobnosti), Exit (Izhod), Cancel (Prekliči), Select (Izberi), Deselect (Počisti izbiro))
5 Puščiči v levo in desno za izbiranje ustreznega ID mesta	12 Vrednost primarne meritve (uporabniško izbrano)
6 Možnosti (glede na kontekst: Read (Meritev), Select (Izberi), OK (V redu), Delete (Izbrisi))	13 Ikona za stabilnost
7 Kljukica: dokončana meritev na mestu	

5.2 Opis tipkovnice

Glejte **Slika 6** za opis tipkovnice in podatke o navigaciji.

Slika 6 Opis tipkovnice



1 Tipka za VKLOP/IZKLOP	4 DESNA izbirna tipka (glede na kontekst): meritev vzorca, izbris, izbira ali potrditev možnosti, odpiranje podmenijev
2 Tipka za GLAVNI MENI: izbira preverjanja, umerjanja, poti, nastavitvev, podatkovnega dnevnika, podatkov, diagnostike, ID-ja upravljavca in ID-ja mesta	5 Smerne tipke NAVZGOR, NAVZDOL, DESNO, LEVO ¹ : premikanje po menijih, vnos števil in črk.
3 LEVA izbirna tipka (glede na kontekst): podrobnosti, izberi/počisti izbiro, preklic ali izhod iz trenutnega menijskega zaslona in premik na prejšnjega	6 DOMOV: premik na glavni zaslon meritev.

Razdelek 6 Zagon

6.1 Vklop enote

Pritisnite tipko **VKLOP/IZKLOP** za vklop ali izklop merilnika. Če se merilnik ne vklopi, se prepričajte, da je baterija pravilno vstavljena.

6.2 Change the language

Select the display language when the meter is set to on for the first time. Change the language from the **Settings** menu.

1. Push **Settings>Language**.
2. Select the applicable language.

6.3 Change the date and time

There are two options to set the date and time and format:

- Set the date and time when the meter is set to on for the first time.
- Set the date and time from the Date & Time menu.

1. Select **Settings>Meter>Date & Time**.
2. Use the arrow keys to select the format for the date and time and then enter the current time and date information.
The current date and time will be shown on the display and on the logged measurement data.

¹ NAVZGOR, NAVZDOL: premikanje po meritvah, ko je na voljo več meritev, DESNO, LEVO: premikanje po ID-jih upravljavcev in vzorcev.

Razdelek 7 Standardni postopki

7.1 Use an operator ID

The operator ID tag associates measurements with an individual operator. All stored data will include the operator ID.

To easily manage operator IDs, use the web application "tool.htm". Refer to the manufacturer's website for more information.

1. Push **Main Menu>Operator ID**.
2. Select an option.

Option	Description
Mode	Set the Operator ID function to on or off (default).
Select	Select an ID from a list. The current ID will be associated with sample data until a different ID is selected. Use the UP and DOWN arrows to select an operator ID from the home screen. It is possible to select the operator ID on the measurement screen before a Chemkey is in the slot or a probe is attached.
Create	Enter a name for a new operator ID.
Delete	Erase an existing operator ID.

7.2 Uporaba ID-ja mesta

Izberite oznako ID-ja mesta in meritve povežite s točno določenim vzorcem ali mestom. Če je ID dodeljen, bo poleg podatkov shranjen tudi ID.

Za enostavno upravljanje ID-jev mest uporabite spletno aplikacijo "tool.htm". Več informacij si oglejte na spletni strani proizvajalca.

1. Pritisnite **Main Menu>Site ID** (Glavni meni > ID mesta).
2. Izberite možnost.

Možnost	Opis
Mode (Način)	Funkcijo ID-ja mesta nastavite na ročno, samodejno, izklopljeno ali poti. Manual (Ročno) –ročen vnos ID-ja mesta. Auto (Samodejno) –Vzorci so oštevilčeno zaporedno za vsako meritev, dokler ni izbran nov ID. Off (Izklopljeno) –dodeljevanje ID-jev mest je izklopljeno (privzeto). Routes (Poti) –urejen celosten nabor ID-jev mest v seznamu.
Select (Izberi)	Izberite ID s seznama. Trenutni ID bo povezan s podatki o vzorcu do izbire novega ID-ja. Site ID>Show (ID mesta > Prikaži) nastavite na Yes (Da). Z DESNO ali LEVO puščico izberite trenutni ID mesta na zaslonu z meritvami. Prepričajte se, da je možnost Site ID>Show (ID mesta > Prikaži) nastavljena na Yes (Da) in je v režo vstavljen vsaj en Chemkey ali je nameščena vsaj ena sonda.
Create (Ustvari)	Dodajanje novega ID-ja mesta.
Delete (Izbrisi)	Izbris obstoječih ID-jev mest. Napotek: Za izbris ID-ja mesta mora biti izbran ročni način Manual .
Show (Prikaži)	Prikaz ID-ja mesta na zaslonu z meritvami. Možnost vklopa ali izklopa.
Routes (Poti)	Urejen seznam ID-jev mest. Če je izbrana pot, so ID-ji mest samodejno prikazani na zaslonu z meritvami in so zabeleženi. Za izbiro naslednjega mesta pritisnite puščico v DESNO . Za nastavitev poti uporabite spletno aplikacijo "tool.htm". Več informacij si oglejte na spletni strani proizvajalca.
Opombe	Zabeležite posebne podatke in jih dodajte dnevniku dogodkov.

7.3 Complete Chemkey measurements

OPOMBA

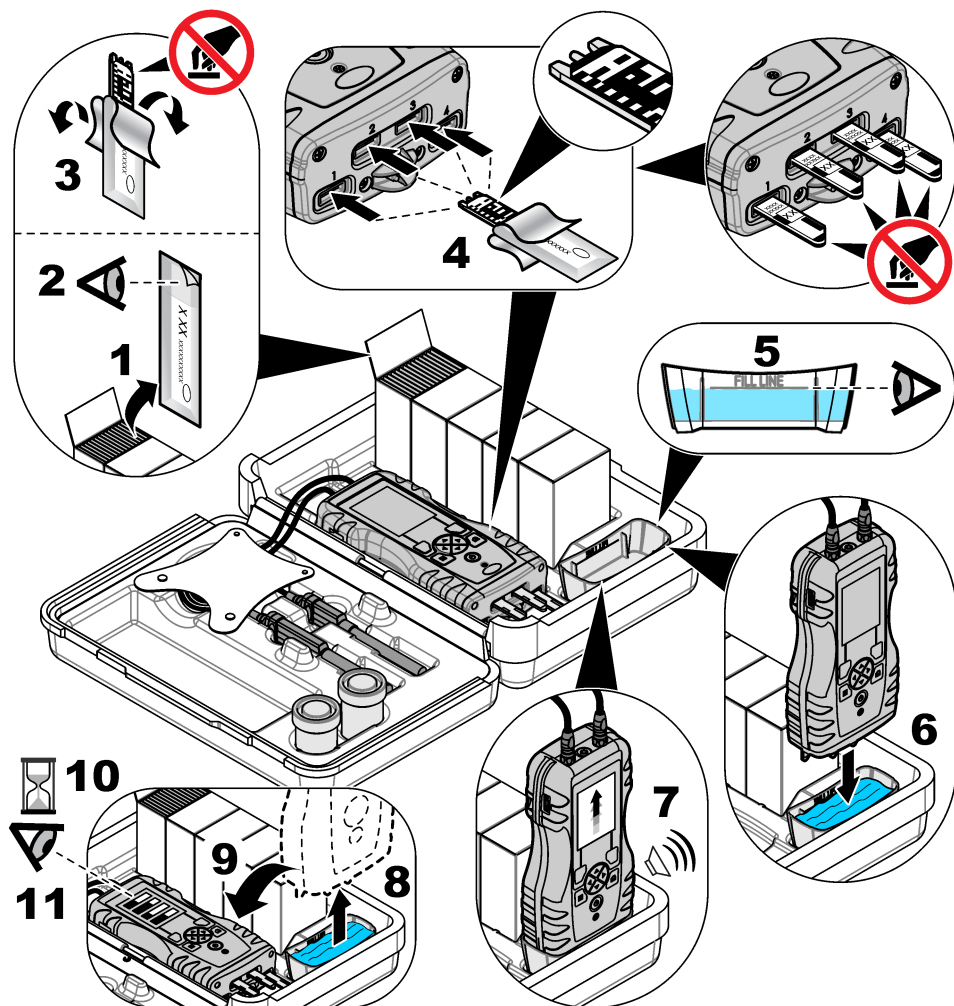
Do not start a new Chemkey measurement when other Chemkey measurements are not yet completed. Only put the meter in the sample once for a Chemkey measurement.

To complete a measurement with the Chemkey(s), do the procedure that follows. Refer to [Slika 7](#). Multiple probe measurements can be completed at the same time. Refer to [Popolne meri](#) na strani 407.

1. Set the meter power to on.
2. If complete traceability is necessary, enter a site ID and operator ID before measurement. Refer to [Use an operator ID](#) na strani 404 and [Uporaba ID-ja mesta](#) na strani 404.
3. Push the applicable Chemkey(s) fully, in one movement, into the slot(s) 1 to 4. Make sure to always use a new Chemkey for each measurement. It is important to push the Chemkey all of the way into the slot.
When a Chemkey is in a slot, do not move or touch the Chemkey.²
4. Rinse the sample cup with the sample.
5. Fill the meter sample cup to the fill-line with the sample.
6. Put the meter into the meter sample cup.
7. Wait for the sound alert and/or the meter removal animation (within 1 to 2 seconds), then immediately remove the meter from the sample cup.
Put the meter back into the case and wait until the measurement is completed. The parameters have different reaction times. The display shows a progress bar with the time that remains until the measurement is completed.
8. The measurement values are shown on the display.
Napotek: When an error shows, push **Details** for more information.

² A monochloramine Chemkey and a free ammonia Chemkey are both necessary to obtain a free ammonia measurement.

Slika 7 Chemkey sample measurement



7.4 Priklop sonde

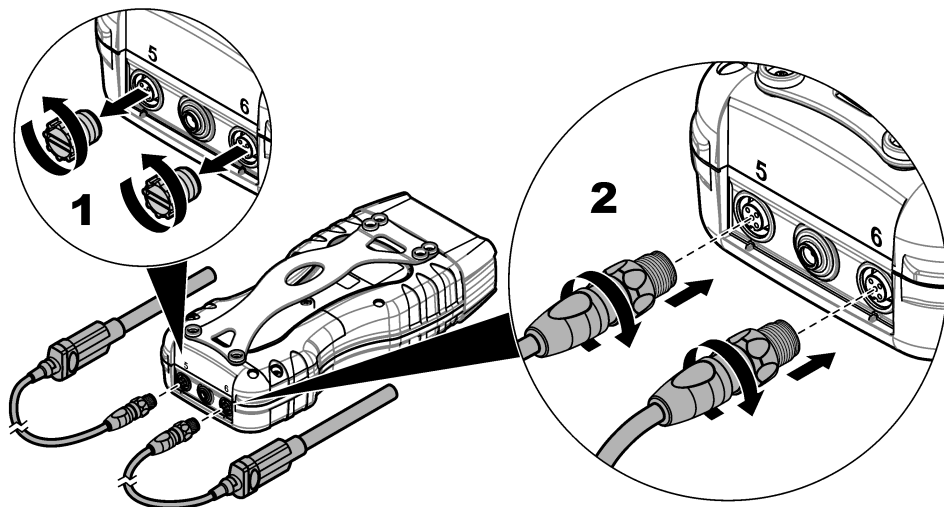
OPOMBA

Ne zavrzite pokrovcikov vrat za priklop sond. Ko ni priklopljene nobene sonde, morata biti pokrovčka vrat za priklop sond nameščena.

Prepričajte se, da sta prikazana pravilen datum in čas, nato pa sondi vklopite v merilnik. Glejte [Slika 8](#).

Napotek: Časovni žig sonde je nastavljen ob prvem priklopu sonde na merilnik. Ta časovni žig omogoča beleženje zgodovine sonde in časa opravljanja meritev.

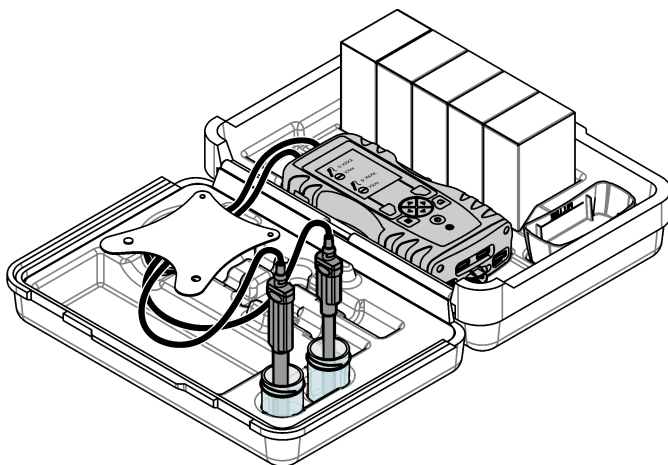
Slika 8 Priključki za sonde



7.5 Popolne meri

Za dokončanje meritev s sondami opravite naslednji postopek. Glejte [Slika 9](#). Sočasno je mogoče opraviti več meritev Chemkey. Glejte [Complete Chemkey measurements](#) na strani 405.

1. Pred prvo uporabo umerite sondo. Glejte [Umerjanje sonde](#) na strani 408.
Napotek: Za čim večjo natančnost je treba sonde umerjati vsakodnevno.
2. Pred priklopom sonde na merilnik nastavite pravi datum in čas. Glejte [Change the date and time](#) na strani 403.
Sonda mora imeti pravi datum za življenjsko dobo.
3. Če je zahtevana popolna sledljivost, pred merjenjem vnesite ID mesta in ID upravljavca. Glejte [Use an operator ID](#) na strani 404 in [Uporaba ID-ja mesta](#) na strani 404.
4. Odstranite pokrovčka vrat za priklop sond in priklopite sonde. Za priklop sonde glejte [Slika 8](#) na strani 407.
Napotek: Ne zavrzite pokrovčkov vrat za priklop sond. Ko ni priklopljene nobene sonde, znova namestite pokrovčka vrat za priklop sond.
5. Sperite stekleničko z vzorcem.
6. Stekleničko napolnite z vzorcem do te mere, da bo senzor popolnoma potopljen v vzorec.
7. Sonde vstavite v stekleničke z vzorci in pritisnite **Read** (Meritev), če je način za meritve nastavljen na **Press to Read** (Pritisni za meritev). Za več informacij si oglejte navodila za ustrezno sondo.
8. Vrednosti meritve so prikazane na zaslonu.



Razdelek 8 Umerjanje

⚠ PREVIDNO



Nevarnost izpostavljenosti kemikalijam. Upoštevajte varnostne predpise v laboratoriju in nosite vsa osebno zaščitno opremo, primerno za delo s kemikalijami, ki jih trenutno uporabljate. Za varnostne protokole glejte veljaven varnostni list (MSDS/SDS).

8.1 Umerjanje sonde

Način umerjanja je za vsako sondo drugačen. Sonde umerjajte pogosto, da zagotovite najvišjo raven natančnosti. Na merilniku bo prikazano stanje umerjanja. Če umerjanje ni pravilno dokončano, je ikona umerjanja z vprašajem prikazana, dokler sonde ne umerite pravilno. Ko je umerjanje pravilno, je prikazana ikona umerjanja z zeleno kljukico. Za navodila po korakih glejte dokumente, ki so priloženi posameznim sondam. Več informacij si oglejte na spletni strani proizvajalca.

1. Priklon sonde.
2. Za začetek umerjanja pritisnite **Main Menu>Calibrate** (Glavni meni > Umerjanje).
3. Če je na instrument priklopljenih več sond, izberite ustrezno.
Napotek: Če je priključena samo ena sonda, ta korak ni prikazan.
4. Za umerjanje sonde sledite navodilom na zaslonu.
Napotek: Če uporabljate sondo ISE, po potrebi pritisnite **DESNO** puščico in se premaknite na naslednji umeritveni standard. Meritveni standardi od nizke do visoke koncentracije.
5. Po potrebi opravite preverjanje. Glejte [Preverjanje sonde](#) na strani 409.

8.2 Tovarniško umerjanje

Za brezhibno delovanje sistema proizvajalec priporoča, da letno opravite popolno tovarniško umerjanje. Obrnite se na lokalni servisni center Hach.

8.3 Merilnik umerite za parameter za specifičen Chemkey

Za vsak Chemkey je treba opraviti posebne nastavitve za umerjanje. Več informacij si oglejte na spletni strani proizvajalca.

1. Ustrezen reagent ali reagente Chemkey počasi in v enem gibu potisnite v reže od 1 do 4.
2. Za začetek umerjanja pritisnite **Main Menu>Calibrate** (Glavni meni > Umerjanje).
3. Izberite ustrezen Chemkey.
4. Vnesite ustrezno standardno prilagoditveno vrednost.
5. Za umerjanje reagenta Chemkey izpolnite navodila na zaslonu.
6. Po potrebi opravite preverjanje. Glejte [Preverjanje reagentov Chemkey](#) na strani 409.

8.4 Preverjanje sonde

1. Za začetek preverjanja pritisnite **Main Menu>Verification** (Glavni meni > Preverjanje).
2. Izberite zeleno napravo.
3. Za preverjanje sledite navodilom na zaslonu.

Napotek: Za spreminjanje standarda preverjanja pritisnite **Main Menu>Settings>Probe>[Izberite sondo]>Verification Options>Standard**.

8.5 Preverjanje reagentov Chemkey

Preverjanje reagentov Chemkey je mogoče opraviti na dva načina. Za preverjanje uporabite reagent Chemkey, specifičen za parameter, ali Chemkey za sistemsko preverjanje. Glejte [Nadomestni deli in dodatna oprema](#) na strani 415.

• Reagent Chemkey, specifičen za parameter:

1. Reagent Chemkey, specifičen za parameter, počasi in v enem gibu potisnite v režo ali reže od 1 do 4.
2. Nato za začetek preverjanja pritisnite **Main Menu>Verification** (Glavni meni > Preverjanje).
3. Dokončajte voden postopek.

• Chemkey za sistemsko preverjanje:

1. Za začetek preverjanja pritisnite **Main Menu>Verification** (Glavni meni > Preverjanje).
2. Reagent Chemkey za sistemsko preverjanje nato počasi in v enem gibu potisnite v prvo režo.
3. Dokončajte voden postopek.

Razdelek 9 Podatkovni dnevnik

V podatkovnem dnevniku so prikazane vse opravljene meritve.


1. Pritisnite **Main Menu>Data Log** (Glavni meni > Podatkovni dnevnik).
2. Izberite možnost.

Možnost	Opis
All Logs by Date (Vsi dnevniki po datumih)	Prikaz rezultatov meritev vzorcev: ime sonde, serijska številka sonde, vrednost, enota, temperatura, čas, datum, opombe, ID upravljalca, ID mesta in podrobnosti umerjanja. Zadnja meritev je prikazana na zaslonu. Za ogled prejšnjih meritev pritisnite LEVO puščico.
Current Cal on Probe (Trenutno umerjanje sonde)	Podrobnosti umerjanja za najnovejše umerjanje Če sonde ni umeril uporabnik, so prikazani podatki o tovarniškem umerjanju.

Možnost	Opis
Cal History on Probe (Zgodovina umerjanja sonde)	Prikaz seznama časov vseh preteklih umerjanj senzorja. Izberite datum in čas za ogled povzetka podatkov o umerjanju.
Delete data log (Brisanje podatkovnega dnevnika)	Izbris vseh podatkov merilnika naenkrat. Podatki naprave bodo ohranjeni.

9.1 Import data to Excel

⚠ OPOZORILO



Nevarnost električnega udara. Zunanje priključena oprema mora imeti ustrezno državno oceno varnostnega standarda.

The meter stores the data log in an XML format. The site ID, sequence, date and time, parameter, measured value, units, operator ID, slot #, Chemkey lot code and the meter serial number can be stored in an Excel spreadsheet.

1. Set the meter power to on.
2. Connect the meter with the USB cable to the computer. The meter shows as a drive "Hach Portable Parallel Analysis" on the computer.
3. Open the "DataTemplate" folder from the drive.
4. Open the "LogTemplate.xlsx" file.
5. Right click on the cell "A2" and select XML>Import.
6. Select all log files from the "Data" folder from the "Hach Portable Parallel Analysis" drive.
7. Click **Import**.
The data log is shown in the Excel spreadsheet.
8. Save the file to the computer or to a USB flash drive if necessary.
9. Safely remove the meter from the computer. Click on the icon with the green arrow "Safely Remove Hardware and Eject Media" in the task bar.
***Napotek:** Some icons can be found under "Show hidden icons" in the task bar.*
10. Disconnect the USB cable from the meter.

9.2 Look at data in a web browser

To look at the data log in a web browser, do the steps that follow. The site ID, sequence, date and time, parameter, measured value, units, operator ID, slot #, Chemkey lot code and the meter serial number are shown in the selected web browser.

1. Set the meter power to on.
2. Connect the meter with the USB cable to the computer. The meter shows as a drive "Hach Portable Parallel Analysis" on the computer.
3. Open the "Data" folder from the drive.
4. Open a data log file.
 - Open the "LogNN.XML" (NN = digits from 0 to 9) in any browser.
 - From the web browser, click **File>Open menu** and browse to the "Data" folder.
5. Save the file to the computer or to a USB flash drive if necessary.
6. Safely remove the meter from the computer. Click on the icon with the green arrow "Safely Remove Hardware and Eject Media" in the task bar.
***Napotek:** Some icons can be found under "Show hidden icons" in the task bar.*
7. Disconnect the USB cable from the meter.

Razdelek 10 Vzdrževanje

⚠ OPOZORILO



Različne nevarnosti Opravila, opisana v tem delu dokumenta, lahko izvaja samo usposobljeno osebje.

⚠ PREVIDNO



Nevarnost izpostavljenosti kemikalijam. Upoštevajte varnostne predpise v laboratoriju in nosite vso osebno zaščitno opremo, primerno za delo s kemikalijami, ki jih trenutno uporabljate. Za varnostne protokole glejte veljaven varnostni list (MSDS/SDS).

⚠ PREVIDNO



Nevarnost izpostavljenosti kemikalijam. Kemikalije in odpadke zavržite v skladu z lokalnimi, regionalnimi in nacionalnimi predpisi.

10.1 Čiščenje razliti

⚠ PREVIDNO



Nevarnost izpostavljenosti kemikalijam. Kemikalije in odpadke zavržite v skladu z lokalnimi, regionalnimi in nacionalnimi predpisi.

1. Upoštevajte vse varnostne protokole obrata za nadzor razlita.
2. Odpadke zavržite v skladu z veljavnimi predpisi.

10.2 Čiščenje senzorja

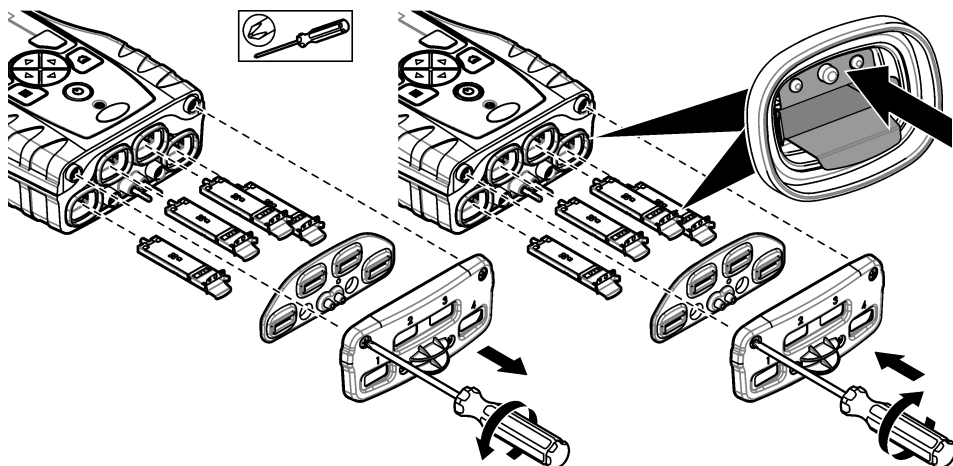
Zunanost senzorja očistite z vlažno krpo in blago milno raztopino ter ga obrišite, če je to potrebno.

10.3 Čiščenje ali zamenjava delov

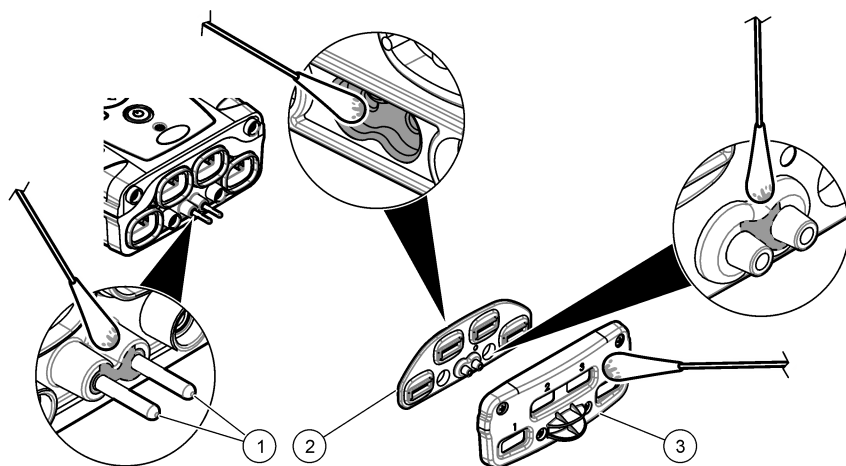
Pri nekaterih napakah in opozorilih je treba obvezno očistiti reže za reagent Chemkey, nadzorna okenca, okence za črtno kodo, detektor vzorcev ali zamenjati pladnje. Dele očistite z izopropilnim alkoholom. Svetlobni ščitnik očistite z blagim detergentom. Vatirano palčko je dovoljeno premikati samo v eni smeri. Za odstranitev pokrovcov nadzornih okenc, svetlobnega ščitnika in pladnje glejte [Slika 10](#). Za podrobnejši opis postopka čiščenja glejte [Slika 11](#) in [Slika 12](#).

Potrebujete: vatirano palčko, izopropilni alkohol, vodo in blagi detergent

Slika 10 Odstranitev in sestavljanje delov



Slika 11 Očistite detektor vzorcev, svetlobni ščitnik in pokrovček

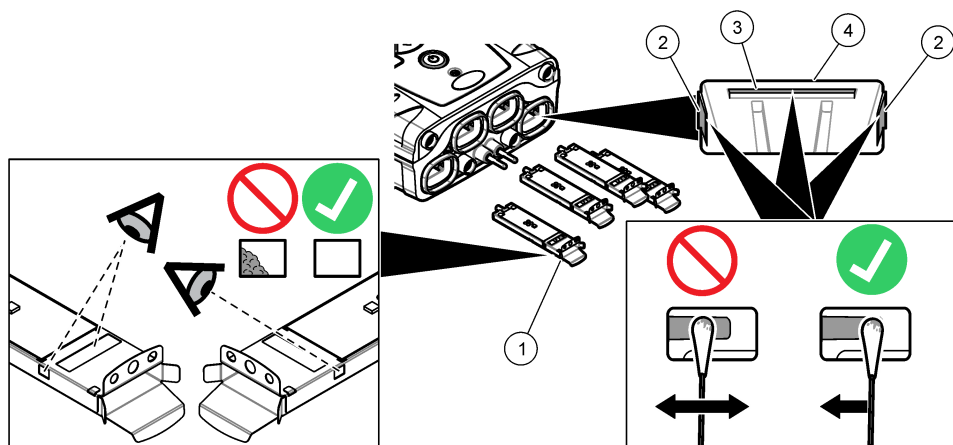


1 Detektor vzorcev

2 Svetlobni ščitnik

3 Pokrovček nadzornega okenca

Slika 12 Čiščenje pladnjev in rež za reagent Chemkey



1 Pladenj	3 Okence za črno kodo
2 Nadzorno okence	4 Reža za reagent Chemkey.

10.4 Polnjenje ali zamenjava baterije

Ko je baterija skoraj prazna, jo napolnite. Ko baterija ne ohranja napolnjenosti, jo zamenjajte. Uporabljajte samo točno določeno baterijo, ki jo dobavi proizvajalec. Glejte [Vstavite baterijo](#) na strani 400 in [Nadomestni deli in dodatna oprema](#) na strani 415.

10.5 Priprava na pošiljanje

OPOMBA

Možne poškodbe opreme. Pred pošiljanjem iz enote iztočite vso vodo in tako preprečite poškodbe zaradi temperatur pod lediščem.

Pred pošiljanjem enote se za navodila obrnite na tehnično podporo proizvajalca.

- Pred pošiljanjem instrument očistite in razkužite.
- Instrument odpošljite z baterijo, nameščeno v merilniku, vendar se pred tem prepričajte, da ta ni priključena na konektor.
- Pred pošiljanjem odklopite sonde in odstranite reagente Chemkey.
- Instrument odpošljite v originalni embalaži ali kateri koli drugi zaščitni embalaži.

Razdelek 11 Odpravljanje težav

Napaka/opozorilo	Možen vzrok	Rešitev
Barcode read error (Napaka branja črtno kodo) Please reinsert Chemkey(s) (Znova vstavite reagent Chemkey)	Chemkey ne deluje pravilno. Chemkey ni pravilno vstavljen.	<ul style="list-style-type: none"> Chemkey znova vstavite v režo. Uporabite nov Chemkey. Očistite okence za črtno kodo. Glejte Slika 12 na strani 413. Če se težava ponavlja, stopite v stik s tehnično službo.
Sample aspirate error. Chemkey Leaked. Try another (Poskusite z drugim reagentom Chemkey)	Chemkey ne deluje pravilno. Chemkey ni popolnoma vstavljen v režo.	Uporabite nov Chemkey in se pripravite, da je Chemkey popolnoma vstavljen v režo. Če se težava ponavlja, stopite v stik s tehnično službo.
Chemkey expired. (Chemkey je potekel.)	Čas za Chemkey je potekel.	
Measurement Error (1–4)	V določeni reži je prišlo do napake.	
Parameter ni podprt	Parameter ni na voljo v nameščenem programski opremi instrumenta.	
Used Chemkey—Replace (Izrabljen Chemkey – zamenjajte)	Chemkey je že izrabljen ali pa je v režo vdrla voda.	Uporabite nov Chemkey. Če se težava ponavlja, osušite režo in instrument ter poskusite znova. Če se težava ponavlja, stopite v stik s tehnično službo.
Tray leaked. (Pladenj pušča.) Replace tray. (Puščanje pladnja. Zamenjajte pladenj.)	Prišlo je do napake z izmerjenim pladnjem.	Zamenjajte pladenj. Glejte Slika 10 na strani 412. Če se težava ponavlja, stopite v stik s tehnično službo.
Heater Error (Napaka grelnika) Replace Tray. (Zamenjajte pladenj)	Pladenj ne deluje pravilno.	
Remove from sample. (Odstranite iz vzorca.)	Merilnik je bil vstavljen v vzorec preden je bil merilnik pripravljen.	Počakajte, da je merilnik pripravljen za vstavljanje v vzorec.
Sample removed too soon (Vzorec je bil odstranjen prehitro)		V režo vstavite drug Chemkey. Počakajte, da je merilnik pripravljen za vstavljanje v vzorec.
Too much time in sample (Predolgo v vzorcu)	Reagenti Chemkey so bili predolgo v vzorcu. Prišlo je do napake pri meritvi.	Ob pozivu nemudoma odstranite reagent Chemkey.
	Če je opozorilo prikazano, ko merilnik ni več v vzorcu, je območje nožic detektorja vzorca umazano.	Očistite območje nožic detektorja vzorca. Glejte Čiščenje ali zamenjava delov na strani 411. Če se težava ponavlja, stopite v stik s tehnično službo.
Over Range (Nad merilnim območjem)	Koncentracija presega zgornjo mejo trenutne metode.	Razredčite vzorec in izmerite znova.
Under Range (Pod merilnim območjem)	Koncentracija ne dosegajo spodnje meje trenutne metode.	—

Napaka/opozorilo	Možen vzrok	Rešitev
Tray too cold. (Prehladen pladenj.)	Merilnik je morda prehladen za segrevanje pladnja ali pa grelnik ne deluje.	Merilnik premaknite v območje z višjo temperaturo okolice in ponovite meritve. Zamenjajte pladenj.
Tray too hot. (Prevroč pladenj.)	Merilnik je prevroč za pravilno meritev.	Ohladite merilnik ali pa ga premaknite v območje z nižjo temperaturo okolice.
Premočna osvetlitev iz okolja. Insert Chemkey in darker environment	Svetloba okolice je premočna za branje črtne kode.	Merilnik prestavite v temnejši prostor in Chemkey znova vstavite v režo.
Low Light. Clean Chemkey slot. (Prešibka svetloba. Očistite režo za Chemkey.)	Chemkey ne deluje pravilno. Chemkey ni pravilno vstavljen.	<ul style="list-style-type: none"> Chemkey vstavite v režo z enim gibom. Uporabite nov Chemkey. Očistite režo za Chemkey. Glejte Slika 12 na strani 413. Če se težava ponavlja, stopite v stik s tehnično službo.
Instrument requires service. (Instrument potrebuje servis.)	Napaka modula.	Uporabite module, ki delujejo pravilno. Za popravilo pokvarjenega modula se obrnite na tehnično službo.
Sample not found. (Vzorca ni mogoče najti.)	<ul style="list-style-type: none"> Kiveta ni napolnjena do oznake za polno. Prevodnost vzorca je nižja od 2 μS/cm. 	<ul style="list-style-type: none"> Kiveta mora biti napolnjena do oznake za polno. Prevodnost vzorca mora biti višja od 2 μS/cm. Očistite detektor vzorca. Glejte Slika 11 na strani 412. Če se težava ponavlja, stopite v stik s tehnično službo.


11.1 Opravite diagnostični pregled

V diagnostičnem meniju so prikazani podatki o trenutni različici merilnika in možnosti za formatiranje pomnilniške kartice.

1. Pritisnite **Main Menu>Diagnostics** (Glavni meni > Diagnostika).
2. Izberite možnost.

Možnost	Opis
Disk Space (Prostor na disku)	Prikaz prostora na uporabnikovem in notranjem pomnilniku.
Config Versions (Različice nastavitvev)	Prikaz različic nastavitvev merilnika.
Method Versions (Različice metod)	Prikaz različic metod merilnika.
Format Memory (Formatiraj pomnilnik)	Izbris vseh podatkov merilnika Napotek: Vsi podatki merilnika (npr., nastavitve merilnika, ID-ji mest, ID-ji upravljavcev, poti, opombe, predloge in več) bodo po izvedbi ukaza Format Memory (Formatiraj pomnilnik) izbrisani.

Razdelek 12 Nadomestni deli in dodatna oprema

⚠ OPOZORILO	
	Nevarnost telesnih poškodb. Z uporabo neodobrenih delov tvegate telesne poškodbe, materialno škodo na instrumentih ali okvaro opreme. Nadomestne dele v tem razdelku je odobril proizvajalec.

Napotek: Za nekatere prodajne regije se lahko številka izdelka in artikla razlikuje. Za kontaktne informacije stopite v stik z ustreznim prodajalcem ali pa jih poiščite na spletni strani podjetja.

Glejte Nadomestni deli in dodatna oprema v razširjeni različici priročnika.

Sadržaj

- | | |
|---|--|
| 1 Mrežni korisnički priručnik na stranici 417 | 7 Standardni rad na stranici 425 |
| 2 Specifikacije na stranici 417 | 8 Kalibracija na stranici 429 |
| 3 Opći podaci na stranici 418 | 9 Dnevnik podataka na stranici 430 |
| 4 Ugradnja na stranici 420 | 10 Održavanje na stranici 432 |
| 5 Korisničko sučelje i navigacija na stranici 422 | 11 Rješavanje problema na stranici 435 |
| 6 Pokretanje na stranici 424 | 12 Zamjenski dijelovi i dodaci na stranici 436 |

Odjeljak 1 Mrežni korisnički priručnik

Ovaj Osnovni korisnički priručnik sadrži manje podataka od Korisničkog priručnika koji je dostupan na web-mjestu proizvođača.

Odjeljak 2 Specifikacije

Specifikacije se mogu promijeniti bez prethodne najave.

Specifikacije	Pojedinosti
Dimenzije (Š x D x V)	13.08 x 5.89 x 25.83 cm (5.15 x 2.32 x 10.17 inča)
Klasa kućišta	IP64 sa štitnicima u priključcima za sonde ili sa sondama priključenima na instrument
Težina	1.2 kg (2.7 lb)
Zahtjevi napajanja (interni)	Punjiva litij-ionska baterija, 7.4V, 5.0Ah (5000mAh)
Zahtjevi napajanja (vanjski)	100V–240 VAC, ulaz 50/60 Hz, izlaz 12 V pri 3 A
Radne temperature (pražnjenje)	5 do 50 °C (41 do 122 °F), maksimalno 85% relativne vlažnosti (nekondenzirajuće)
Temperatura punjenja	5 do 45 °C (41 do 113 °F), maksimalno 85% relativne vlažnosti (nekondenzirajuće)
Temperatura za pohranu	–20 do 60 °C (–4 do 140 °F), maksimalno 85% relativne vlažnosti (nekondenzirajuće)
Sučelje	Mini USB priključak
Ulazni priključak s 5 izvoda	Dva priključka M12 za sonde IntelliCal
Priključnica vanjskog napajanja	Priključak od 2,5 mm
Utori za Chemkeyeve	4
Memorija podataka	1000 izmjerenih vrijednosti (rezultat, datum, vrijeme, ID lokacije, ID korisnika)
Pohrana podataka	Automatska u načinu rada Press to Read (Pritisnite za očitavanje). Ručna u načinu rada Continuous Read (Neprekidno očitavanje).
Korekcija temperature (za sonde IntelliCal™)	Isključeno, automatski i ručno (ovisno o parametru)
Blokada prikaza mjerenja (za sonde IntelliCal™)	Načini mjerenja Press to Read (Pritisnite za očitavanje) i Continuous Read (Neprekidno očitavanje)
Klasa zaštite	III
Certifikati	CE, UKCA, FCC, ISED, RCM, KC
Jamstvo	Jedna godina

Odjeljak 3 Opći podaci

Proizvođač ni u kojem slučaju neće biti odgovoran za štetu koja proizlazi iz neispravne uporabe proizvoda ili nepridržavanja uputa u priručniku. Proizvođač zadržava pravo na izmjene u ovom priručniku te na opise proizvoda u bilo kojem trenutku, bez prethodne najave ili obaveze. Revizije priručnika mogu se pronaći na web-stranici proizvođača.

3.1 Sigurnosne informacije

Proizvođač nije odgovoran za štetu nastalu nepravilnom primjenom ili nepravilnom upotrebom ovog proizvoda, uključujući, bez ograničenja, izravnu, slučajnu i posljedičnu štetu, te se odriče odgovornosti za takvu štetu u punom opsegu, dopuštenom prema primjenjivim zakonima. Korisnik ima isključivu odgovornost za utvrđivanje kritičnih rizika primjene i za postavljanje odgovarajućih mehanizama za zaštitu postupaka tijekom mogućeg kvara opreme.

Prije raspakiranja, postavljanja ili korištenja opreme pročitajte cijeli ovaj korisnički priručnik. Poštujte sva upozorenja na opasnost i oprez. Nepoštivanje ove upute može dovesti do tjelesnih ozljeda operatera ili oštećenja na opremi.

Uvjerite se da zaštita koja se nalazi uz ovu opremu nije oštećena. Ne koristite i ne instalirajte ovu opremu na bilo koji način koji nije naveden u ovom priručniku.

3.1.1 Korištenje informacija opasnosti

▲ OPASNOST

Označava potencijalno ili neposredno opasnu situaciju koja će, ako se ne izbjegne, dovesti do smrti ili ozbiljnih ozljeda.

▲ UPOZORENJE

Označava potencijalno ili neposredno opasnu situaciju koja će, ako se ne izbjegne, dovesti do smrti ili ozbiljnih ozljeda.

▲ OPREZ



Označava potencijalno opasnu situaciju koja će dovesti do manjih ili umjerenih ozljeda.

OBAVIJEST

Označava situaciju koja, ako se ne izbjegne će dovesti do oštećenja instrumenta. Informacije koje je potrebno posebno istaknuti.

3.1.2 Oznake mjera predostrožnosti

Pročitajte sve naljepnice i oznake na instrumentu. Ako se ne poštuju, može doći do tjelesnih ozljeda ili oštećenja instrumenta. Simbol na instrumentu odgovara simbolu u priručniku uz navod o mjerama predostrožnosti.

	Ovaj simbol, ako se nalazi na instrumentu, navodi korisnički priručnik kao referencu za informacije o radu i/ili zaštiti.
	Električna oprema označena ovim simbolom ne smije se odlagati u europskim domaćim ili javnim odlagalištima. Staru ili isteklu opremu vratite proizvođaču koji će je odložiti bez naknade.

3.1.3 Certifikati

Upozorenje na EN 55011/CISPR 11 obavijest

Ovo je proizvod Klase A. U kućnoj okolini ovaj proizvod može izazvati smetnje radiovalovima, pa će u tom slučaju korisnik možda trebati poduzeti odgovarajuće korake.

Kanadska odredba o opremi koja uzrokuje smetnje, ICES-003, klasa A:

Izvjешća s testiranja nalaze se kod proizvođača.

Ovo digitalno pomagalo klase A udovoljava svim zahtjevima Kanadskog zakona o opremi koja uzrokuje smetnje.

Cet appareil numérique de classe A répond à toutes les exigences de la réglementation canadienne sur les équipements provoquant des interférences.

FCC dio 15, ograničenja klase "A"

Izvjешća s testiranja nalaze se kod proizvođača. Uređaj je sukladan s dijelom 15 FCC pravila. Rad uređaja mora ispunjavati sljedeće uvjete:

1. Oprema ne smije uzrokovati štetne smetnje.
2. Oprema mora prihvatiti svaku primljenu smetnju, uključujući smetnju koja može uzrokovati neželjen rad.

Zbog promjena ili prilagodbi ovog uređaja koje nije odobrila stranka nadležna za sukladnost korisnik bi mogao izgubiti pravo korištenja opreme. Ova je oprema testirana i u sukladnosti je s ograničenjima za digitalne uređaje klase A, koja su u skladu s dijelom 15 FCC pravila. Ta ograničenja su osmišljena da bi se zajamčila razmjerna zaštita od štetnih smetnji kada se oprema koristi u poslovnom okruženju. Ova oprema proizvodi, koristi i odašilje energiju radio frekvencije, te može prouzročiti smetnje u radio komunikaciji ako se ne instalira i koristi prema korisničkom priručniku. Koristite li ovu opremu u naseljenim područjima ona može prouzročiti smetnje, a korisnik će sam snositi odgovornost uklanjanja smetnji o vlastitom trošku. Sljedeće tehnike mogu se koristiti kao bi se smanjili problemi uzrokovani smetnjama:

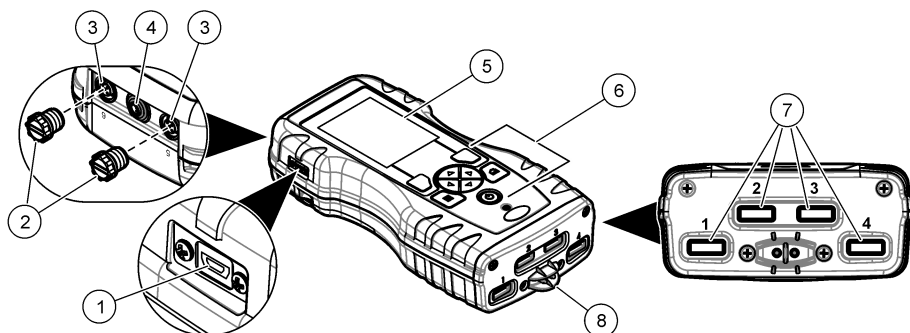
1. Isključite opremu iz izvora napajanja kako biste provjerili je li ili nije uzrok smetnji.
2. Ako je oprema uključena u istu utičnicu kao i uređaj kod kojeg se javljaju smetnje, uključite opremu u drugu utičnicu.
3. Odmaknite opremu od uređaja kod kojeg se javljaju smetnje.
4. Promijenite položaj antene uređaja kod kojeg se javljaju smetnje.
5. Isprobajte kombinacije gore navedenih rješenja.

3.2 Pregled proizvoda

Prijenosni paralelni analizator istovremeno mjeri maksimalno šest parametara u vodi za piće i drugim aplikacijama za čistu vodu. Mjerač koristi Chemkeys® i digitalne IntelliCAL™ sonde za mjerenje različitih parametara u vodi. Mjerač automatski identificira vrstu umetnutog Chemkeya ili sonde koja je priključena na mjerač.

Mjerač može koristiti maksimalno četiri Chemkeya i maksimalno dvije sonde za mjerenja. Pogledajte [Slika 1](#).

Slika 1 Pregled proizvoda



1 Mini USB priključak	5 Zaslom
2 Štitnici priključaka za sonde	6 Tipkovnica
3 Priključci za sonde	7 Utori za Chemkeyeve
4 Priključak napajanja	8 Detektor uzoraka

3.3 Komponente proizvoda

Provjerite jeste li dobili sve komponente. Pogledajte priloženu dokumentaciju. Ako neki od ovih elemenata nedostaje ili je oštećen, odmah se obratite proizvođaču ili prodajnom predstavniku.

Odjeljak 4 Ugradnja

⚠ UPOZORENJE



Višestruka opasnost. Zadatke opisane u ovom odjeljku priručnika treba obavljati isključivo kvalificirano osoblje.

4.1 Sigurnost litijske baterije

⚠ UPOZORENJE



Opasnost od požara i eksplozije. Litijske baterije mogle bi se zagrijati, zapaliti ili eksplodirati i uzrokovati ozbiljne povrede ako ih izložite nepovoljnim uvjetima.

- Ne koristite bateriju ako je vidljivo oštećena.
- Ne koristite bateriju nakon jakog udara ili vibracije.
- Ne izlažite bateriju vatri.
- Držite bateriju na temperaturama ispod 60 °C (140 °F).
- Držite bateriju na suhom i podalje od vode.
- Sprječite kontakt između pozitivnih i negativnih terminala baterije.
- Neovlaštene osobe ne smiju dirati bateriju.
- Bateriju odložite u skladu s lokalnom, regionalnom i nacionalnom regulativom.
- Nemojte koristiti ili spremati instrument na izravno sunčevo svjetlo, pored izvora topline ili u okruženju visokih temperatura, poput zatvorenih vozila na izravnom sunčevom svjetlu.

4.2 Umetanje baterije

▲ UPOZORENJE



Opasnost od požara i eksplozije. Ova oprema sadrži snažnu litijsku bateriju koja se može zapaliti i uzrokovati požar ili eksploziju čak i kad nije u funkciji. Kako biste održali razinu sigurnosti koju pruža kućište instrumenta, poklopci kućišta instrumenta moraju se postaviti i učvrstiti pomoću isporučenog alata.



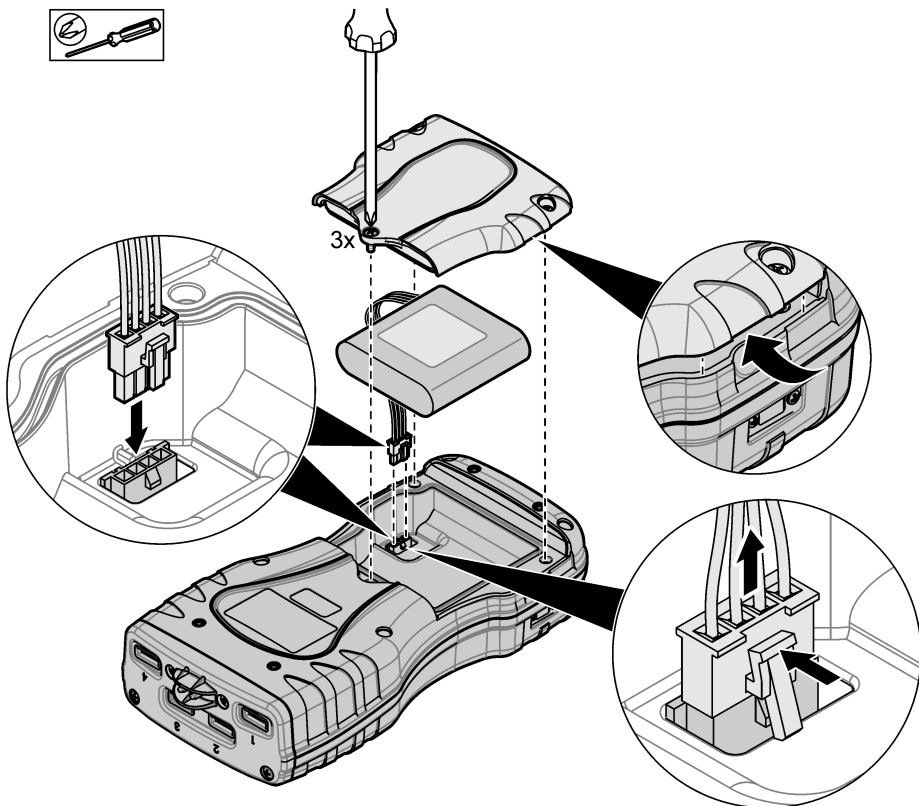
▲ UPOZORENJE



Opasnost od požara i eksplozije. Nije dopuštena zamjena baterija. Koristite isključivo dijelove dostavljene od strane proizvođača instrumenta.

Upotrebljavajte samo punjivu litij-ionsku bateriju koju isporučuje proizvođač. [Slika 2](#) prikazuje umetanje i vađenje baterije.

Slika 2 Umetanje i vađenje baterije



4.3 Promjena baterije

▲ UPOZORENJE



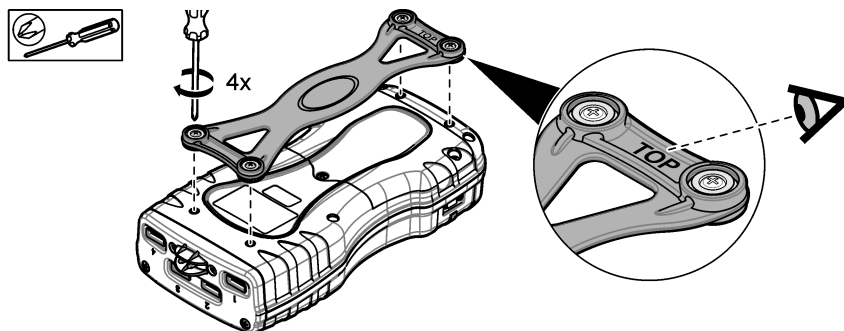
Opasnost od požara. Koristite samo vanjsko napajanje odobreno za ovaj instrument.

1. Priključite vanjsko napajanje u utičnicu s izmjeničnom strujom.
2. Priključite vanjsko napajanje u priključaka napajanja na mjerач. Pogledajte [Pregled proizvoda](#) na stranici 419.
 - Instrument se može koristiti dok se baterija puni.
 - Zamjena vanjskog napajanja nije dopuštena. Koristite samo vanjsko napajanje navedeno na popisu dijelova i dodatnog pribora za instrument. Pogledajte [Zamjenski dijelovi i dodaci](#) na stranici 436.
 - Bateriju nemojte puniti dulje od 24 sata.

4.4 Postavljanje vezice

Postavite vezicu kako biste mogli sigurno držati mjerач. Pogledajte [Slika 3](#).

Slika 3 Postavljanje vezice

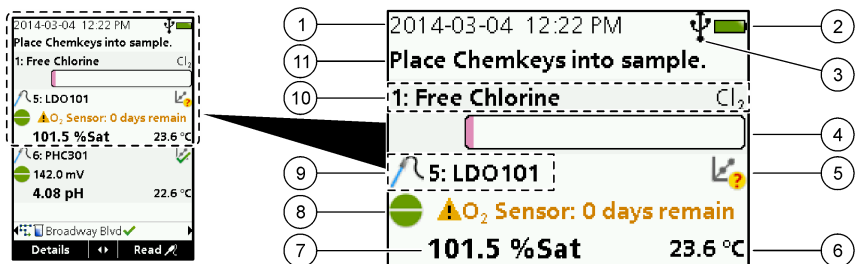


Odjeljak 5 Korisničko sučelje i navigacija

5.1 Opis zaslona

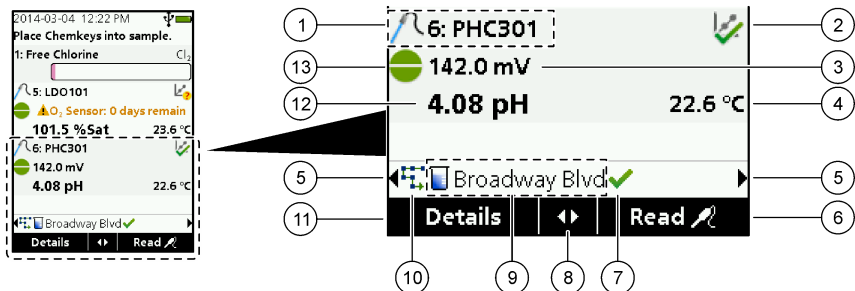
[Slika 4](#) i [Slika 5](#) daju opis zaslona mjerenja.

Slika 4 Zaslom mjerenja (gornji dio)



1 Datum i vrijeme	7 Vrijednost primarnog mjerenja (korisnički odabrani parametar)
2 Status baterije	8 Ikona stabilnosti s ikonom upozorenja i porukom upozorenja
3 Ikona aktivne USB veze (COM priključak) kad se odabere klasa komunikacije	9 Ikona sonde, broj priključka, naziv parametra ili sonde
4 Traka napretka (za nedovršena mjerenja)	10 Broj utora, naziv parametra i kemijski simbol
5 Ikona statusa kalibracije (neispravna kalibracija)	11 Iznimno važne poruke za uređaje (iza kojih slijede poruka o pogrešci i poruka upozorenja)
6 Sekundarno mjerenje (korisnički odabrani parametar)	

Slika 5 Zaslom mjerenja (donji dio)

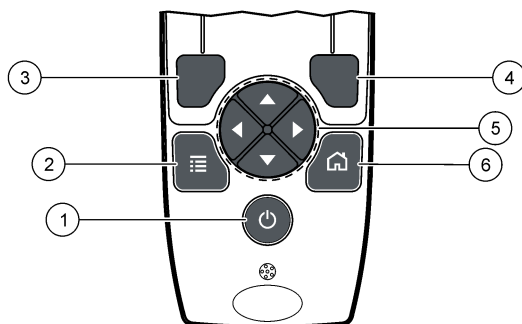


1 Ikona sonde, broj priključka, naziv parametra ili sonde	8 Aktivne strelice
2 Ikona statusa kalibracije (ispravna kalibracija)	9 Ikona ID-a lokacije i naziv lokacije
3 Vrijednost sekundarnog mjerenja (korisnički odabrani parametar)	10 Ikona ruta (prikazuje kad su rute uključene)
4 Vrijednost tercijarnog mjerenja (korisnički odabrani parametar)	11 Opcije (kontekstualne: Details (Detalji), exit (izlaz), cancel (odustani), select (odaberi), deselect (poništi odabir))
5 Lijeva i desna strelica za odabir odgovarajućeg ID-a lokacije	12 Vrijednost primarnog mjerenja (korisnički odabrano)
6 Opcije (kontekstualne: Read (Očitaj), select (odaberi), OK (U redu), delete (izbriši))	13 Ikona stabilnosti
7 Kvačica: dovršeno mjerenje na lokaciji	

5.2 Opis tipkovnice

Za opis tipkovnice i podatke o navigaciji pogledajte [Slika 6](#).

Slika 6 Opis tipkovnice



1 Tipka NAPAJANJE	4 DESNA tipka za odabir (kontekstualno): očitavanje uzoraka, brisanje, odabir ili potvrda opcija, otvaranje podizbornika
2 Tipka GLAVNI IZBORNIK: odabir provjere, kalibracije, ruta, postavki, dnevnika podataka, informacija, dijagnostike, ID-a operatera i ID-a lokacije	5 Navigacijske tipke GORE, DOLJE, LIJEVO, DESNO ¹ : kretanje kroz izbornike, unos brojeva i slova.
3 LIJEVA tipka za odabir (kontekstualno): detalji, odabir / poništavanje odabira, poništavanje ili izlaz iz trenutnog zaslona izbornika u prethodni	6 POČETNA STRANICA: otvaranje glavnog zaslona za mjerenja.

Odjeljak 6 Pokretanje

6.1 Uključivanje napajanja

Pritisnite tipku **NAPAJANJE** za postavljanje instrumenta na uključeno ili isključeno. Ako se mjerač ne uključi, provjerite je li baterija ispravno postavljena.

6.2 Promjena jezika

Odaberite jezik zaslona kada se mjerač prvi put uključi. Promijenite jezik u izborniku **Settings** (Postavke).

1. Pritisnite **Settings>Language** (Postavke > Jezik).
2. Odaberite odgovarajući jezik.

6.3 Promjena datuma i vremena

Datum i vrijeme te format mogu se namjestiti na dva načina:

- Postavite datum i vrijeme kad se mjerač prvi put uključi.
 - Postavite datum i vrijeme iz izbornika za datum i vrijeme.
1. Odaberite **Settings>Meter>Date & Time** (Postavke > Mjerač > Datum i vrijeme).
 2. Putem strelica odaberite format datuma i vremena, a zatim unesite tekući datum i vrijeme. Tekući datum i vrijeme prikazivat će se na zaslonu i na zabilježenim podacima mjerenja.

¹ GORE, DOLJE: kretanje kroz mjerenja kad ima više od četiri mjerenja, LIJEVO, DESNO: kretanje kroz ID-ove operatera i uzoraka.

Odjeljak 7 Standardni rad

7.1 Korištenje ID operatera

Pomoću oznake ID-a korisnika mjerenja se povezuju s pojedinim korisnikom. Svi spremljeni podaci sadržavat će ID korisnika.

Putem web-aplikacije "tool.htm" možete jednostavno upravljati ID-ovima korisnika. Dodatne informacije potražite na web-stranici proizvođača.

1. Pritisnite **Main Menu>Operator ID** (Glavni izbornik > ID korisnika).
2. Odaberite opciju.

Opcija	Opis
Mode (Način rada)	Postavite funkciju ID-a korisnika na uključeno ili isključeno (zadano).
Select (Odabir)	Odaberite ID s popisa. Trenutačni ID bit će pridružen s podacima uzorka sve dok se ne odabere drugačiji ID. Putem strelica GORE i DOLJE odaberite ID korisnika s početnog zaslona. ID korisnika može se odabrati na zaslonu mjerenja prije umetanja Chemkey u otvor ili priključivanja sonde.
Create (Stvori)	Unesite naziv za novi ID uzorka.
Izbriši	Briše postojeći ID uzorka.

7.2 Korištenje ID-a lokacije

Odaberite ID lokacije kako biste mjerenja povezali s određenim uzorkom ili lokacijom. Ako je pridružen, pohranjeni podaci uključivat će ovaj ID.

Putem web-aplikacije "tool.htm" možete jednostavno upravljati ID-ovima lokacija. Dodatne informacije potražite na web-stranici proizvođača.

1. Pritisnite **Main Menu>Site ID** (Glavni izbornik > ID lokacije).
2. Odaberite opciju.

Opcija	Opis
Način rada	Postavite funkciju ID-a lokacije na ručno, automatski, isključeno ili rute. Manual (Ručno) – ručno odaberite ID lokacije. Auto (Automatski) – uzorci su numerirani u nizu za svako mjerenje sve dok se ne odabere drugačiji ID. Off (Isključeno) – funkcija ID-a lokacije je isključena (zadano). Routes (Rute) – daje uređeni podskup kompletnog popisa ID-ova lokacija.
Select (Odabir)	Odaberite ID s popisa. Trenutačni ID bit će pridružen s podacima uzorka sve dok se ne odabere drugačiji ID. Postavite Site ID>Show (ID lokacije > Prikaz) na Yes (Da). Putem LIJEVE ili DESNE strelice odaberite ID trenutne lokacije na zaslonu mjerenja. Provjerite je li opcija Site ID>Show (ID lokacije > Prikaz) postavljena na Yes (Da) te da je barem jedan Chemkey u oturu ili da je priključena sonda.
Create (Stvori)	Dodajte novi ID lokacije.
Delete (Izbriši)	Izbrišite postojeće ID-ove lokacije. Napomena: Za brisanje ID-a lokacije obavezno odaberite način rada Manual (Ručno) .
Show (Prikaz)	Prikazuje ID lokacije na zaslonu mjerenja. Može se uključiti ili isključiti.
Routes (Rute)	Daje uređeni popis ID-ova lokacija. Ako se odabere ruta, ID-ovi lokacije automatski se bilježe i prikazuju na zaslonu mjerenja. Pritisnite DESNU strelicu kako biste odabrali sljedeću lokaciju. Za postavljanje ruta koristite web-aplikaciju "tool.htm". Dodatne informacije potražite na web-stranici proizvođača.
Notes (Napomene)	Zabilježite posebne informacije i dodajte iz u dnevnik događaja.

7.3 Dovršavanje mjerenja Chemkeyevima

OBAVIJEST

Ne pokrećite novo mjerenje Chemkeyem ako druga mjerenja Chemkeyevima još nisu dovršena. Za mjerenje Chemkeyem uronite mjerач u uzorak samo jednom.

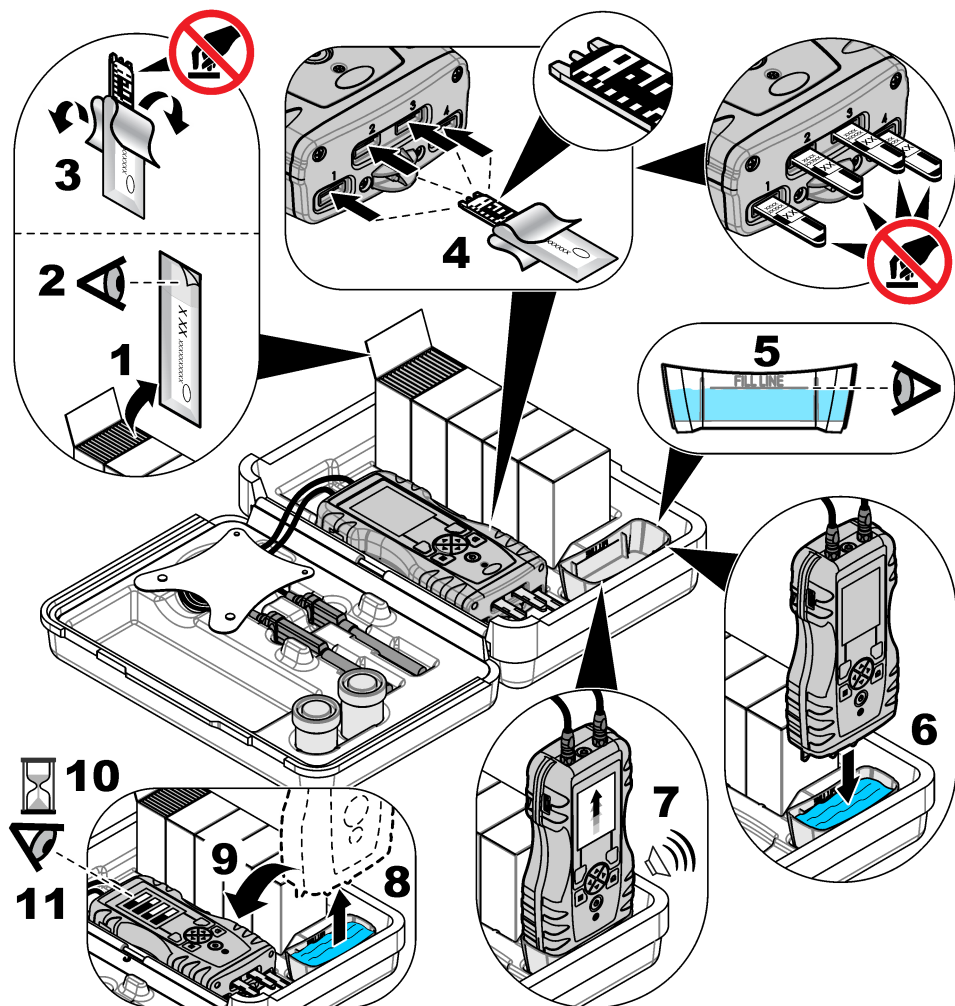
Za dovršavanje mjerenja s Chemkeyevima slijedite postupak u nastavku. Pogledajte [Slika 7](#). Istovremeno se mogu dovršiti mjerenja iz više sondi. Pogledajte [Dovršavanje mjerenja sondom](#) na stranici 428.

1. Uključite napajanje mjerачa.
2. Ako je potrebna potpuna sljedivost, prije mjerenja unesite ID lokacije i ID operatera. Pogledajte [Korištenje ID operatera](#) na stranici 425 i [Korištenje ID-a lokacije](#) na stranici 425.
3. Gurnite odgovarajuće Chemkeyeve u jednom potezu do kraja u utoru 1 do 4. Obavezno uvijek za svako mjerenje koristite novi Chemkey. Važno je da se Chemkey gurne do kraja u utor. Kad je Chemkey u utoru, nemojte pomicati niti dodirivati Chemkey.²
4. Epruvetu uzorka isperite uzorkom.
5. Epruvetu uzorka za mjerач ispunite uzorkom do linije.
6. Uronite mjerач u epruvetu uzorka za mjerач.
7. Pričekajte zvučni signal i/ili animaciju za vađenje mjerачa (unutar 1 do 2 sekunde), a zatim odmah izvadite mjerач iz epruvete za uzorak. Vratite mjerач u kutiju i pričekajte da se mjerenje dovrši. Parametri imaju različita vremena reakcije. Zaslون prikazuje traku napretka zajedno s vremenom preostalim do dovršavanja mjerenja.
8. Vrijednosti mjerenja prikazuju se na zaslonu.

Napomena: Kad se prikaže strelica, pritisnite **Details** (Detalji) kako bi se prikazale dodatne informacije.

² Za dobivanje mjerenja slobodnog amonijaka potrebni su i Chemkey za monokloramin i Chemkey za slobodni amonijak.

Slika 7 Mjerenje uzorka Chemkeyem



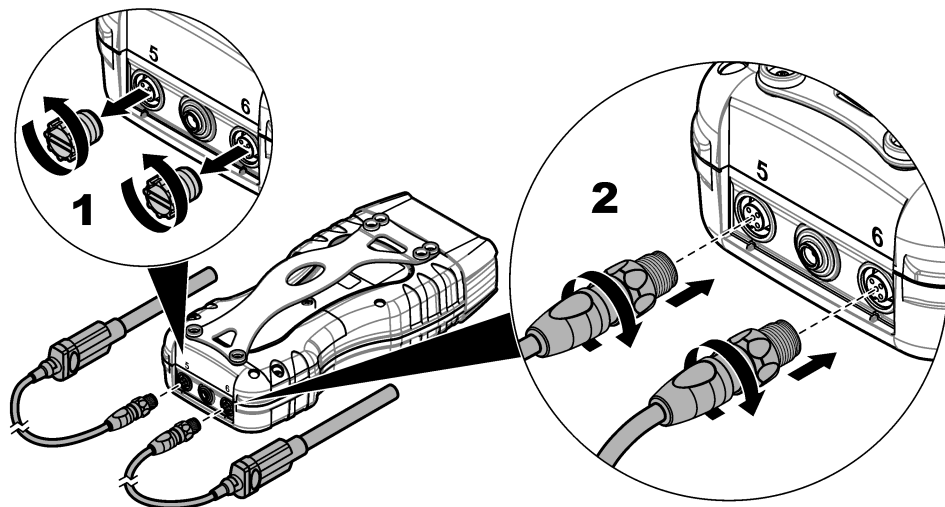
7.4 Priklučivanje sonde

OBAVIJEST

Nemojte baciti štitnike priključaka za sonde. Kad nisu priključene sonde, štitnici moraju biti u priključcima za sonde.

Provjerite prikazuje li zaslon trenutni datum i vrijeme, a zatim priključite sondu u mjerac. Pogledajte Slika 8.

Napomena: Vremenska oznaka za sondu postaviti će se nakon što sondu prvi put priključite na mjerac. Vremenska oznaka omogućava bilježenje prethodnih akcija sonde i vremena izvršavanja mjerenja.



7.5 Dovršavanje mjerenja sondom

Kako biste dovršili mjerenja sondama slijedite postupak u nastavku. Pogledajte [Slika 9](#). Istovremeno se mogu dovršiti mjerenja iz više Chemkeyeva. Pogledajte [Dovršavanje mjerenja Chemkeyevima](#) na stranici 426.

1. Prije prve upotrebe kalibrirajte sonde. Pogledajte [Kalibrirajte sondu](#) na stranici 429.

Napomena: *Kako biste imali najveću preciznost, kalibrirajte sonde svaki dan.*

2. Prije povezivanja sonde postavite datum i vrijeme na mjerачu. Pogledajte [Promjena datuma i vremena](#) na stranici 424.

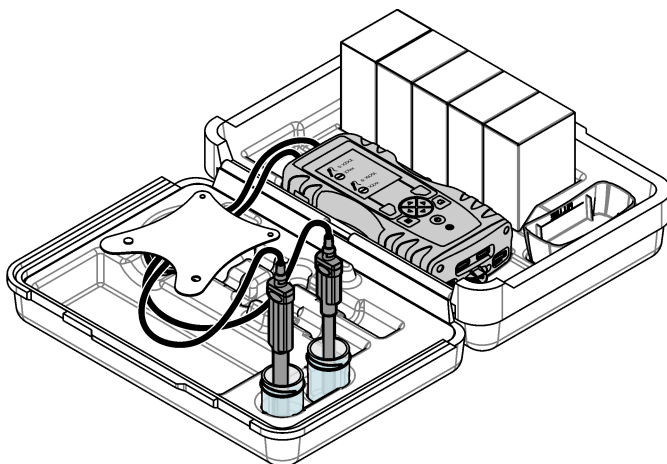
Sonda mora imati ispravnu oznaku vijeka rada.

3. Ako je potrebna potpuna sljedivost, prije mjerenja unesite ID lokacije i ID operatera. Pogledajte [Korištenje ID operatera](#) na stranici 425 i [Korištenje ID-a lokacije](#) na stranici 425.

4. Skinite štitnike priključaka za sonde i priključite sonde. [Slika 8](#) na stranici 428 prikazuje povezivanje sonde.

Napomena: *Nemojte baciti štitnike priključaka za sonde. Kad nisu priključene sonde, vratite štitnike priključaka za sonde na mjesto.*

5. Bočice uzorka isperite uzorkom.
6. Ispunite bočice uzorka uzorkom tako da senzor bude u potpunosti uronjen u uzorak.
7. Uronite sonde u bočice s uzorkom i pritisnite **Read** (Očitaj) ako je način mjerenja postavljen na **Press to Read** (Pritisak za očitavanje). Dodatne informacije potražite u dokumentaciji sonde.
8. Vrijednosti mjerenja prikazuju se na zaslonu.




Odjeljak 8 Kalibracija

▲ OPREZ



Opasnost od izlaganja kemikalijama. Poštujte laboratorijske sigurnosne propise i opremite se svom odgovarajućom osobnom zaštitnom opremom s obzirom na kemikalije kojima ćete rukovati. Sigurnosne protokole potražite na trenutno važećim sigurnosno tehničkim listovima materijala (MSDS/SDS).

8.1 Kalibrirajte sondu

Svaka sonda koristi različitu vrstu kalibracije. Sonde često kalibrirajte radi održavanja najviše razine preciznosti. Mjerač će prikazati status kalibracije. Ako kalibracija nije ispravna, prikazivat će se ikona kalibracije s upitnikom  dok se sonda ne kalibrira ispravno. Kad je kalibracija ispravna, prikazuje se ikona kalibracije sa zelenom kvačicom. Detaljne upute potražite u dokumentima koji su priloženi uz svaku od sonda. Dodatne informacije potražite na web-stranici proizvođača.

1. Priključite sondu.
2. Pritisnite **Main Menu>Calibrate** (Glavni izbornik > Kalibriraj) kako biste pokrenuli kalibraciju.
3. Ako je s instrumentom povezano više sonda, odaberite onu ispravnu.
Napomena: Ako je povezana samo jedna sonda, ovaj se korak ne prikazuje.
4. Slijedite upute prikazane na zaslonu kako biste kalibrirali sondu.
Napomena: Za ISE sondu pritisnite DESNU strelicu po potrebi kako biste prešli na sljedeći kalibracijski standard. Standarde mjerite od niske koncentracije do visoke koncentracije.
5. Ako bude potrebno, obavite provjeru. Pogledajte [Provjera sonde](#) na stranici 430.

8.2 Tvornička kalibracija

Proizvođač preporučuje da se svake godine izvrši potpuna tvornička kalibracija kako biste se uvjerali da sustav radi kako je namijenjeno. Molimo vas da se obratite centru za servis tvrtke Hach koji radi na vašoj lokaciji.

8.3 Kalibriranje mjerača za određeni parametar Chemkeya

Svaki Chemkey koristi različite postavke kalibracije. Dodatne informacije potražite na web-stranici proizvođača.

1. Odgovarajuće Chemkeyeve gurnite polako, u jednom potezu, u utore 1 do 4.
2. Pritisnite **Main Menu>Calibrate** (Glavni izbornik > Kalibriraj) kako biste pokrenuli kalibraciju.
3. Odaberite odgovarajući Chemkey.
4. Unesite odgovarajuću vrijednost podešavanja standardne otopine.
5. Slijedite upute prikazane na zaslonu kako biste kalibrirali Chemkey.
6. Ako bude potrebno, obavite provjeru. Pogledajte [Provjera Chemkeyem](#) na stranici 430.

8.4 Provjera sonde

1. Pritisnite **Main Menu>Verification** (Glavni izbornik > Provjera) kako biste pokrenuli provjeru.
2. Odaberite odgovarajući uređaj.
3. Slijedite upute prikazane na zaslonu kako biste izveli provjeru.

Napomena: Kako biste promijenili standard koji se koristi za provjeru pritisnite **Glavni izbornik>Postavke>Sonda>[odaberite sondu]>Opcije provjere>Standard**.

8.5 Provjera Chemkeyem

Provjera Chemkeyem može se obaviti na dva načina. Za provjeru koristite Chemkey za određeni parametar ili Chemkey za provjeru sustava. Pogledajte [Zamjenski dijelovi i dodaci](#) na stranici 436.

• Chemkey za određeni parametar:

1. Chemkey za određeni parametar gurnite polako, u jednom potezu, u utor 1 do 4.
2. Zatim pritisnite **Main Menu>Verification** (Glavni izbornik > Provjera) kako biste pokrenuli provjeru.
3. Dovršite postupak navođen izbornicima.

• Chemkey za provjeru sustava:

1. Pritisnite **Main Menu>Verification** (Glavni izbornik > Provjera) kako biste pokrenuli provjeru.
2. Zatim gurnite Chemkey za provjeru sustava polako, u jednom potezu, u prvi utor.
3. Dovršite postupak navođen izbornicima.

Odjeljak 9 Dnevnik podataka

Dnevnik podataka prikazuje sva spremljena mjerenja.

1. Pritisnite **Main Menu>Data Log** (Glavni izbornik > Dnevnih podataka).
2. Odaberite opciju.

Opcija	Opis
All Logs by Date (Svi dnevnicima prema datumu)	Prikazuje rezultate mjerenja uzorka: Naziv sonde, serijski broj sonde, vrijednost, jedinica, temperatura, vrijeme, datum, napomene, ID operatera, ID lokacije i detalji kalibracije. Posljednje mjerenje prikazuje se na zaslonu. Pritisnite LIJEVU strelicu kako biste vidjeli prethodna mjerenja.
Current Cal on Probe (Trenutna kalibracija sonde)	Prikazuje detalje kalibracije za najnoviju kalibraciju. Ako korisnik nije kalibrirao sondu, prikazat će se tvornički podaci kalibracije.
Cal History on Probe (Povijest kalibracije sonde)	Prikazuje popis vremena kada je sonda kalibrirana. Za pregled sažetka podataka kalibracije odaberite datum i vrijeme.
Delete Data Log (Izbriši dnevnik podataka)	Odjednom briše sve podatke iz mjerača. Podaci uređaja bit će zadržani.

9.1 Uvoz podataka u Excel

▲ UPOZORENJE



Opasnost od strujnog udara. Vanjska priključena oprema mora imati primjenjive standardne ocjene za sigurnost.

Mjerač sprema dnevnik podataka u XML formatu. ID lokacije, slijed, datum i vrijeme, parametar, izmjerena vrijednost, jedinice, ID operatera, broj utora, šifra partije Chemkeya i serijski broj mjerača mogu se spremiti u Excel tablicu.

1. Uključite napajanje mjerača.
2. USB kabelom povežite mjerač i računalo. Mjerač se na računalu prikazuje kao pogon "Hach Portable Parallel Analysis" (Hach prijenosna paralelna analiza).
3. Na pogonu otvorite mapu "DataTemplate" (Predložci podataka).
4. Otvorite datoteku "LogTemplate.xlsx".
5. Desnom tipkom miša pritisnite ćeliju "A2" i odaberite XML > Import (Izvoz).
6. Odaberite sve datoteke dnevnika u mapi "Data" (Podaci) na pogonu "Hach Portable Parallel Analysis" (Hach prijenosna paralelna analiza).
7. Pritisnite **Import** (Uvoz).
Dnevnik podataka prikazuje se u Excel tablici.
8. Spremite datoteku na računalo ili, ako je potrebno, na USB flash pogon.
9. Sigurno prekinite vezu računala i mjerača. Pritisnite ikonu za zelenom strelicom "Safely Remove Hardware and Eject Media" (Sigurno uklanjanje hardvera i izbacivanje medija) na traci zadataka.
Napomena: Neke se ikone mogu pronaći pod opcijom "Show hidden icons" (Pokaži skrivene ikone) na traci zadataka.
10. Isključite USB kabel s mjerača.

9.2 Pregled podataka u web-pregledniku

Za pregled podataka u web-pregledniku slijedite korake u nastavku. ID lokacije, slijed, datum i vrijeme, parametar, izmjerena vrijednost, jedinice, ID operatera, broj utora, šifra partije Chemkeya i serijski broj mjerača prikazuju se u odabranom web-pregledniku.

1. Uključite napajanje mjerača.
2. USB kabelom povežite mjerač i računalo. Mjerač se na računalu prikazuje kao pogon "Hach Portable Parallel Analysis" (Hach prijenosna paralelna analiza).
3. Na pogonu otvorite mapu "Data" (Podaci).
4. Otvorite datoteku dnevnika podataka.
 - Otvorite "LogNN.XML" (NN = brojevi od 0 do 9) u bilo kojem pregledniku.
 - U web-pregledniku pritisnite izbornik **File>Open** (Datoteka > Otvori) i idite na mapu "Data" (Podaci).
5. Spremite datoteku na računalo ili, ako je potrebno, na USB flash pogon.
6. Sigurno prekinite vezu računala i mjerača. Pritisnite ikonu za zelenom strelicom "Safely Remove Hardware and Eject Media" (Sigurno uklanjanje hardvera i izbacivanje medija) na traci zadataka.
Napomena: Neke se ikone mogu pronaći pod opcijom "Show hidden icons" (Pokaži skrivene ikone) na traci zadataka.
7. Isključite USB kabel s mjerača.

Odjeljak 10 Održavanje

▲ UPOZORENJE



Višestruka opasnost. Zadatke opisane u ovom odjeljku priručnika treba obavljati isključivo kvalificirano osoblje.

▲ OPREZ



Opasnost od izlaganja kemikalijama. Poštujte laboratorijske sigurnosne propise i opremite se svom odgovarajućom osobnom zaštitnom opremom s obzirom na kemikalije kojima ćete rukovati. Sigurnosne protokole potražite na trenutno važećim sigurnosno tehničkim listovima materijala (MSDS/SDS).

▲ OPREZ



Opasnost od izlaganja kemikalijama. Kemikalije i otpad odložite sukladno lokalnim, regionalnim i državnim propisima.

10.1 Čišćenje prolivenih tekućina

▲ OPREZ



Opasnost od izlaganja kemikalijama. Kemikalije i otpad odložite sukladno lokalnim, regionalnim i državnim propisima.

1. Pridržavajte se svih sigurnosnih protokola ustanove za kontroliranje prolijevanja.
2. Otpad odložite prema primjenjivim propisima.

10.2 Čišćenje instrumenta

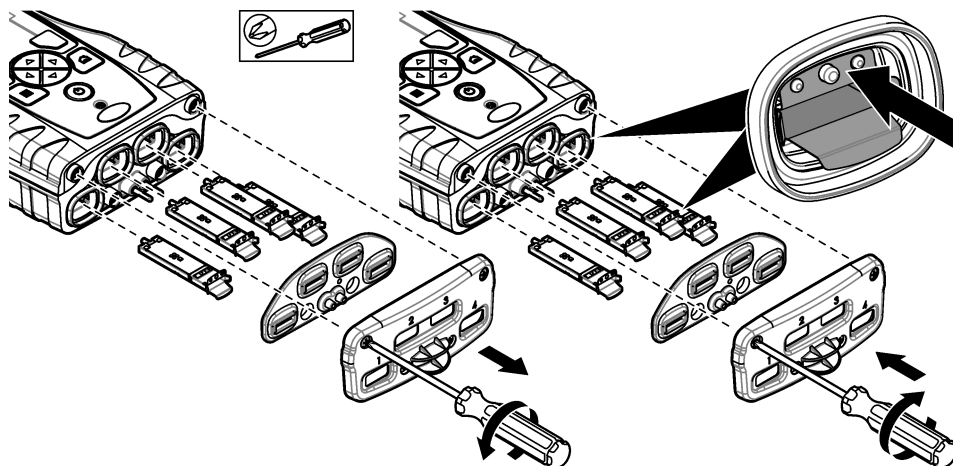
Očistite vanjski dio instrumenta vlažnom krpom i otopinom blagog sapuna, a zatim krpom po potrebi osušite instrument.

10.3 Čišćenje ili zamjena dijelova

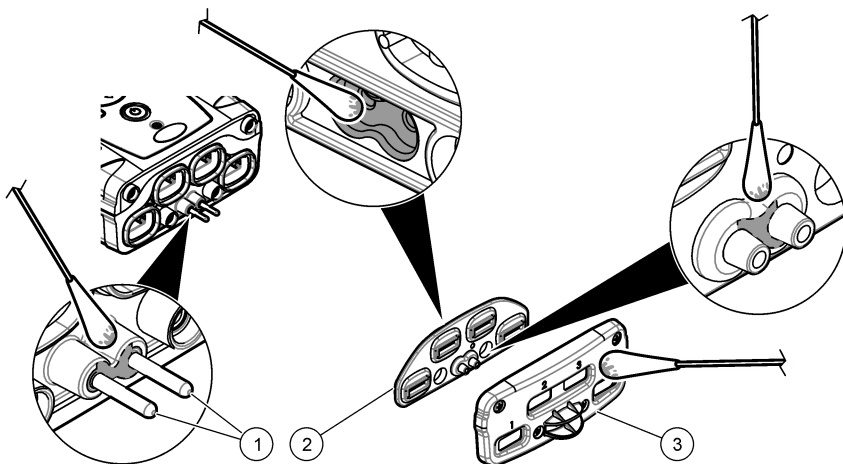
Kod nekih pogreški i upozorenja obavezno je čišćenje utora za Chemkeyeve, optičkih prozora, prozora crtičnog koda, detektora uzoraka ili je potrebno zamijeniti ladice. Za čišćenje dijelova koristite izopropilni alkohol. Za čišćenje zaštite od svjetla koristite vodu i blagi deterđent. Aplikator s vatom obloženim vrhom obavezno pomičite samo u jednom smjeru. [Slika 10](#) prikazuje kako treba ukloniti poklopac za pristup optici, zaštitu od svjetla i ladice. [Slika 11](#) i [Slika 12](#) detaljno prikazuju postupak čišćenja.

Potrebni elementi: Aplikator s vatom obloženim vrhom, izopropilni alkohol, voda i blagi deterđent

Slika 10 Skidanje i vraćanje dijelova

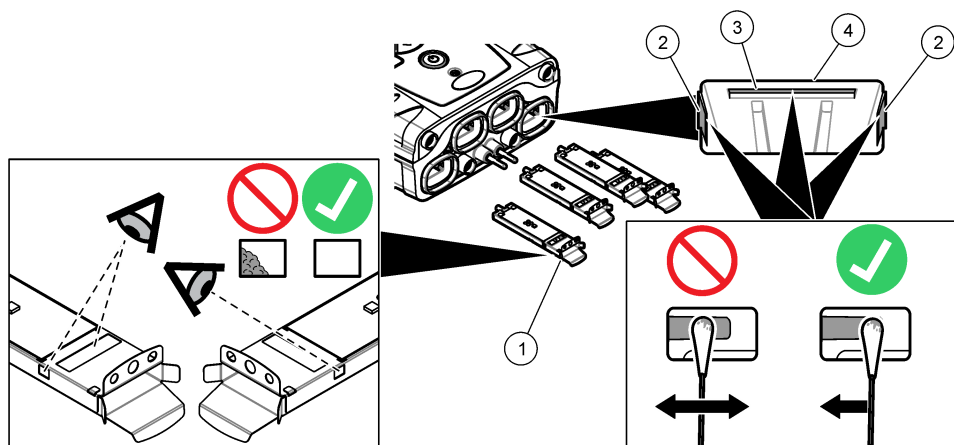


Slika 11 Čišćenje detektora uzoraka, zaštite od svjetla i poklopca za pristup



1 Detektor uzoraka	3 Poklopac za pristup optici
2 Zaštita od svjetla	

Slika 12 Čišćenje ladica i utora za Chemkeyeve



1 Ladica	3 Prozor crtičnog koda
2 Optički prozor	4 Utor za Chemkey

10.4 Punjenje ili zamjena baterije

Bateriju punite kad je gotovo prazna. Zamijenite bateriju kad se baterija jako brzo prazni. Koristite samo bateriju koju je dostavio proizvođač. Pogledajte [Umetanje baterije](#) na stranici 421 i [Zamjenski dijelovi i dodaci](#) na stranici 436.

10.5 Priprema za otpremu

OBAVIJEST

Opasnost od nastanka štete na instrumentu. Prije otpreme isпустite svu vodu kako biste spriječili oštećenja zbog smrzavanja.

Prije otpreme proizvođaču, obratite se tehničkoj podršci kako biste dobili upute.

- Prije otpreme očistite i dekontaminirajte instrument.
- Otpremite instrument s baterijom umetnutom u mjerac, ali tako da nije priključena u konektor.
- Prije otpreme uklonite sonde i izvadite Chemkeyeve.
- Instrument otpremite u originalnoj ambalaži ili u alternativnoj sigurnosnoj ambalaži.

Odjeljak 11 Rješavanje problema

Pogreška/upozorenje	Mogući uzrok	Rješenje
Pogreška očitavanja crtičnog koda Ponovo umetnite Chemkeyeve	Chemkey ne radi ispravno. Chemkey nije ispravno umetnut.	<ul style="list-style-type: none"> Ponovo umetnite Chemkey u utor. Koristite novi Chemkey. Očistite prozor crtičnog koda. Pogledajte Slika 12 na stranici 434. Ako se problem i dalje pojavljuje, obratite se Službi za tehničku podršku.
Pogreška pri aspiriranju uzorka	Chemkey ne radi ispravno. Chemkey nije do kraja gurnut u utor.	Koristite novi Chemkey i obavezno ga gurnite do kraj u utor. Ako se problem i dalje pojavljuje, obratite se Službi za tehničku podršku.
Chemkey Leaked. (Chemkey je procurio.) Pokušajte s drugim		
Chemkey expired (Chemkey je istekao)	Vrijeme za Chemkey je isteklo.	
Pogreška pri mjerenju (1–4)	Došlo je do mjerne pogreške u navedenom utoru.	
Parameter not supported (Parametar nije podržan)	Parametar nije dostupan u instaliranom softveru uređaja.	Ažurirajte softver uređaja. Potražite "SL1000" na stranici www.hach.com . Idite na odjeljak Preuzimanja > Softver / Programske datoteke i slijedite upute na web-stranici.
Korišteni Chemkey - Zamjena	Chemkey je već korišten ili u utoru ima vode.	Koristite novi Chemkey. Ako se problem i dalje pojavljuje, osušite utor i instrument i pokušajte ponovo. Ako se problem i dalje pojavljuje, obratite se Službi za tehničku podršku.
Stalak je procurio. Replace tray. (Zamijenite ladicu.)	Došlo je do problema s ladicom za mjerenje.	Zamijenite ladicu. Pogledajte Slika 10 na stranici 433. Ako se problem i dalje pojavljuje, obratite se Službi za tehničku podršku.
Pogreška grijača. Zamijenite stalak	Ladica ne funkcionira ispravno.	Mjerač uranjajte u uzorak tek kad bude spreman. Stavite drugi Chemkey u utor. Mjerač uranjajte u uzorak tek kad bude spreman.
Remove from sample. (Izvadite iz uzorka.)	Mjerač je uronjen u uzorak, a da nije bio spreman.	
Prerano uklonjen uzorak		
Predugo vremena u uzorku	Chemkeyevi su predugo ostavljeni u uzorku. Došlo je do pogreške u mjerenju.	Izvadite Chemkeyeve čim dobijete obavijest.
	Područje igle detektora uzorka je prljavo ako se ovo upozorenje prikazuje dok mjerač nije uronjen u uzorak.	Očistite područje igle detektora uzorka. Pogledajte Čišćenje ili zamjena dijelova na stranici 432. Ako se problem i dalje pojavljuje, obratite se Službi za tehničku podršku.
Iznad raspona	Koncentracija je viša od gornje granice za trenutnu metodu.	Razrijedite uzorak i ponovite mjerenje.
Ispod raspona	Koncentracija je niža od donje granice za trenutnu metodu.	—
Tray too cold. (Ladica je prehladna.)	Mjerač je možda prehladan da zagrije ladicu ili grijač ne radi.	Premjestite mjerač na toplije mjesto i ponovite mjerenje. Zamijenite ladicu.
Tray too hot. (Ladica je prevruća.)	Mjerač je prevruć da bi izveo točno mjerenje.	Obavezno ohladite mjerač i odmaknite ga od toplog područja.

Pogreška/upozorenje	Mogući uzrok	Rješenje
Previše svjetla u okolini. Previše svjetla u okolini	Ambijentalno svjetlo je prejako za očitavanje crtičnog koda.	Premjestite mjerач u tamniji prostor i ponovo umetnite Chemkey u utor.
Low Light. (Slabo svjetlo.) Clean Chemkey slot. (Očistite utor Chemkeya).	Chemkey ne radi ispravno. Chemkey nije ispravno umetnut.	<ul style="list-style-type: none"> Gurnite Chemkey u utor jednim potezom. Koristite novi Chemkey. Očistite utor Chemkeya. Pogledajte Slika 12 na stranici 434. Ako se problem i dalje pojavljuje, obratite se Službi za tehničku podršku.
Umetnite Chemkey u tamnijem okruženju.	Kvar modula.	Koristite module koji ispravno rade. Obratite se tehničkoj podršci kako bi se neispravni modul popravio.
Uzorak nije pronađen.	<ul style="list-style-type: none"> Epruveta za uzorak nije napunjena do crte. Vodljivost uzorka manja je od 2 $\mu\text{S}/\text{cm}$. 	<ul style="list-style-type: none"> Provjerite je li epruveta za uzorak napunjena do crte. Provjerite je li vodljivost uzorka veća od 2 $\mu\text{S}/\text{cm}$. Očistite detektor uzorka. Pogledajte Slika 11 na stranici 433. Ako se problem i dalje pojavljuje, obratite se Službi za tehničku podršku.

11.1 Izvršavanje dijagnostičke provjere

Dijagnostički izbornik prikazuje informacije o trenutnim verzijama mjerачa i opciju za formatiranje memorijske kartice.

1. Pritisnite **Main Menu>Diagnostics** (Glavni izbornik > Dijagnostika).
2. Odaberite opciju.

Opcija	Opis
Disk Space (Prostor na disku)	Prikazuje prostor na disku za korisničku memoriju i internu memoriju.
Config Versions (Verzije konfiguracija)	Prikazuje verzije konfiguracije za postavke mjerачa.
Method Versions (Verzije metoda)	Prikazuje verzije metoda za mjerач.
Format Memory (Formatiraj memoriju)	Briše sve podatke mjerачa. Napomena: Svi podaci mjerачa (npr. konfiguracija mjerачa, ID-ovi lokacija, ID-ovi operatera, rute, napomene, predlošci i tako dalje) bit će izbrisani kad se formatiranje memorije dovrši.

Odjeljak 12 Zamjenski dijelovi i dodaci

▲ UPOZORENJE



Opasnost od ozljede. Korištenje neodobrenih dijelova može uzrokovati osobne ozljede, oštećenje instrumenta ili neispravno funkcioniranje opreme. Proizvođač je odobrio upotrebu rezervnih dijelova navedenih u ovom odjeljku.

Napomena: Brojevi proizvoda i artikla mogu varirati za neke regije prodaje. Obratite se odgovarajućem distributeru ili pogledajte web stranicu tvrtke za kontaktne podatke.

Pogledajte Zamjenski dijelovi i dodatni pribor u proširenoj verziji priručnika.

Πίνακας περιεχομένων

- | | |
|---|---|
| 1 Ηλεκτρονικό εγχειρίδιο χρήσης στη σελίδα 437 | 7 Τυπική λειτουργία στη σελίδα 445 |
| 2 Προδιαγραφές στη σελίδα 437 | 8 Βαθμονόμηση στη σελίδα 449 |
| 3 Γενικές πληροφορίες στη σελίδα 438 | 9 Μητρώο καταγραφής δεδομένων στη σελίδα 450 |
| 4 Εγκατάσταση στη σελίδα 440 | 10 Συντήρηση στη σελίδα 452 |
| 5 Περιβάλλον και πλοήγηση χρήστη στη σελίδα 442 | 11 Αντιμετώπιση προβλημάτων στη σελίδα 455 |
| 6 Εκκίνηση στη σελίδα 444 | 12 Ανταλλακτικά και εξαρτήματα στη σελίδα 457 |

Ενότητα 1 Ηλεκτρονικό εγχειρίδιο χρήσης

Το παρόν βασικό εγχειρίδιο χρήσης περιέχει λιγότερες πληροφορίες από το εγχειρίδιο χρήσης, το οποίο είναι διαθέσιμο στην ιστοσελίδα του κατασκευαστή.

Ενότητα 2 Προδιαγραφές

Οι προδιαγραφές ενδέχεται να αλλάξουν χωρίς προειδοποίηση.

Προδιαγραφή	Λεπτομέρειες
Διαστάσεις (Π x Β x Υ)	13,08 x 5,89 x 25,83 cm (5.15 x 2.32 x 10.17 in.)
Κατάταξη περιβλήματος	IP64 με τοποθετημένα τα καπάκια στους συνδέσμους του αισθητηρίου του μετρητή ή με τα αισθητήρια συνδεδεμένα στο όργανο
Βάρος	1,2 kg (2.7 lb)
Απαιτήσεις τροφοδοσίας (εσωτερική)	Επαναφορτιζόμενη μπαταρία ιόντων λιθίου, 7.4V, 5.0Ah (5000mAh)
Απαιτήσεις τροφοδοσίας (εξωτερική)	100 V–240 VAC, είσοδος 50/60 Hz, 12 V σε έξοδο 3 A
Θερμοκρασία κατά τη λειτουργία (εκκένωση)	5 έως 50°C (41 έως 122°F), σχετική υγρασία έως 85% το μέγιστο (χωρίς συμπύκνωση υδρατμών)
Θερμοκρασία φόρτισης	5 έως 45°C (41 έως 113°F), σχετική υγρασία έως 85% το μέγιστο (χωρίς συμπύκνωση υδρατμών)
Θερμοκρασία κατά την αποθήκευση	–20 έως 60°C (–4 έως 140°F), σχετική υγρασία έως 85% το μέγιστο (χωρίς συμπύκνωση υδρατμών)
Διεπαφή	Θύρα Mini USB
Σύνδεσμος εισόδου 5 ακίδων	Δύο σύνδεσμοι M12 για αισθητήρια IntelliCal
Υποδοχή εξωτερικής τροφοδοσίας	Βύσμα Jack 2,5 mm
Υποδοχές Chemkey	4
Μνήμη δεδομένων	1000 τιμές μέτρησης (αποτελέσματα, ημερομηνία, ώρα, ID τοποθεσίας, ID χειριστή)
Αποθήκευση δεδομένων	Αυτόματη στον τρόπο λειτουργίας μέτρησης "Μέτρηση με το πάτημα". Μη αυτόματη στον τρόπο λειτουργίας μέτρησης "Συνεχής".
Διόρθωση θερμοκρασίας (για αισθητήρια IntelliCal™)	Απενεργοποιημένη, αυτόματα και χειροκίνητη (ανάλογα με τη παράμετρο)
Κλειδώμα οθόνης μέτρησης (για αισθητήρια IntelliCal™)	Τρόποι λειτουργίας μέτρησης "Μέτρηση με το πάτημα" και "Συνεχής".
Κατηγορία προστασίας	III
Πιστοποιήσεις	CE, UKCA, FCC, ISED, RCM, KC
Εγγύηση	1 έτος

Ενότητα 3 Γενικές πληροφορίες

Σε καμία περίπτωση δεν θα είναι ο κατασκευαστής υπεύθυνος για ζημιές που προκύπτουν από οποιαδήποτε μη κατάλληλη χρήση του προϊόντος ή από αστοχία συμμόρφωσης με τις οδηγίες στο εγχειρίδιο. Ο κατασκευαστής διατηρεί το δικαίωμα να πραγματοποιήσει αλλαγές στο παρόν εγχειρίδιο και στα προϊόντα που περιγράφει ανά στιγμή, χωρίς ειδοποίηση ή υποχρέωση. Αναθεωρημένες εκδόσεις διατίθενται από τον ιστοχώρο του κατασκευαστή.

3.1 Πληροφορίες σχετικά με την ασφάλεια

Ο κατασκευαστής δεν φέρει ευθύνη για τυχόν ζημιές που οφείλονται σε λανθασμένη εφαρμογή ή κακή χρήση αυτού του προϊόντος, συμπεριλαμβανομένων, χωρίς περιορισμό, των άμεσων, συμπτωματικών και παρεπόμενων ζημιών, και αποποιείται την ευθύνη για τέτοιες ζημιές στο μέγιστο βαθμό που επιτρέπει το εφαρμοστέο δίκαιο. Ο χρήστης είναι αποκλειστικά υπεύθυνος για την αναγνώριση των σημαντικών κινδύνων εφαρμογής και την εγκατάσταση των κατάλληλων μηχανισμών για την προστασία των διεργασιών κατά τη διάρκεια μιας πιθανής δυσλειτουργίας του εξοπλισμού.

Παρακαλούμε διαβάστε ολόκληρο αυτό το εγχειρίδιο προτού αποσυσκευάσετε, ρυθμίσετε ή λειτουργήσετε αυτόν τον εξοπλισμό. Προσέξτε όλες τις υποδείξεις κινδύνου και προσοχής. Η παράλειψη μπορεί να οδηγήσει σε σοβαρούς τραυματισμούς του χειριστή ή σε ζημιές της συσκευής.

Διασφαλίστε ότι δεν θα προκληθεί καμία βλάβη στις διατάξεις προστασίας αυτού του εξοπλισμού. Μην χρησιμοποιείτε και μην εγκαθιστάτε τον συγκεκριμένο εξοπλισμό με κανέναν άλλον τρόπο, εκτός από αυτούς που προσδιορίζονται στο παρόν εγχειρίδιο.

3.1.1 Χρήση των πληροφοριών προειδοποίησης κινδύνου

▲ ΚΙΝΔΥΝΟΣ

Υποδεικνύει κάποια ενδεχόμενη ή επικείμενη επικίνδυνη κατάσταση, η οποία, εάν δεν αποτραπεί, θα οδηγήσει σε θάνατο ή σοβαρό τραυματισμό.

▲ ΠΡΟΕΙΔΟΠΟΙΗΣΗ

Υποδεικνύει μια ενδεχόμενη ή επικείμενη επικίνδυνη κατάσταση, η οποία, αν δεν αποτραπεί, μπορεί να προκαλέσει θάνατο ή σοβαρό τραυματισμό.

▲ ΠΡΟΣΟΧΗ

Υποδεικνύει κάποια ενδεχόμενη επικίνδυνη κατάσταση, η οποία μπορεί να καταλήξει σε ελαφρό ή μέτριο τραυματισμό.

ΕΙΔΟΠΟΙΗΣΗ

Υποδεικνύει κατάσταση που, εάν δεν αποτραπεί, μπορεί να προκληθεί βλάβη στο όργανο. Πληροφορίες που απαιτούν ειδική έμφαση.

3.1.2 Ετικέτες προειδοποίησης

Διαβάστε όλες τις ετικέτες και τις πινακίδες που είναι επικολλημένες στο όργανο. Εάν δεν τηρήσετε τις οδηγίες, ενδέχεται να προκληθεί τραυματισμός ή ζημιά στο όργανο. Η ύπαρξη κάποιου συμβόλου επάνω στο όργανο παραπέμπει στο εγχειρίδιο με κάποια δήλωση προειδοποίησης.



Το σύμβολο αυτό, εάν υπάρχει επάνω στο όργανο, παραπέμπει σε πληροφορίες σχετικά με την ασφάλεια ή/και το χειρισμό, στο εγχειρίδιο λειτουργίας.



Αν ο ηλεκτρικός εξοπλισμός φέρει το σύμβολο αυτό, δεν επιτρέπεται η απόρριψή του σε ευρωπαϊκά οικιακά και δημόσια συστήματα συλλογής απορριμμάτων. Μπορείτε να επιστρέψετε παλιό εξοπλισμό ή εξοπλισμό του οποίου η ωφέλιμη διάρκεια ζωής έχει παρέλθει στον κατασκευαστή για απόρριψη, χωρίς χρέωση για το χρήστη.

3.1.3 Πιστοποίηση

Προειδοποιητική ανακοίνωση προτύπων EN 55011/CISPR 11

Το παρόν είναι προϊόν κατηγορίας Α. Σε οικιακό περιβάλλον, αυτό το προϊόν ενδέχεται να προκαλέσει παρεμβολές ραδιοσυχνοτήτων, οπότε σε αυτήν την περίπτωση ο χρήστης μπορεί να χρειαστεί να λάβει κατάλληλα μέτρα.

Καναδικός Κανονισμός Εξοπλισμού Πρόκλησης Παρεμβολών, ICES-003, Κατηγορία Α:

Ο κατασκευαστής διατηρεί τα αρχεία των ελέγχων υποστήριξης.

Η παρούσα ψηφιακή συσκευή Κατηγορίας Α ανταποκρίνεται σε όλες τις προδιαγραφές του Καναδικού Κανονισμού Εξοπλισμού Πρόκλησης Παρεμβολών (ICES).

Cet appareil numérique de classe A répond à toutes les exigences de la réglementation canadienne sur les équipements provoquant des interférences.

FCC Κεφάλαιο 15, Κατηγορία "Α" Όρια

Ο κατασκευαστής διατηρεί τα αρχεία των ελέγχων υποστήριξης. Η συσκευή συμμορφώνεται με το Κεφ. 15 των Κανόνων της FCC. Η λειτουργία υπόκειται στις ακόλουθες προϋποθέσεις:

1. Ο εξοπλισμός μπορεί να μην προκαλέσει επιβλαβείς παρεμβολές.
2. Ο εξοπλισμός πρέπει να δέχεται οποιοσδήποτε παρεμβολές λαμβάνονται, καθώς και παρεμβολές που μπορεί να προκαλέσουν ανεπιθύμητη λειτουργία.

Αλλαγές ή τροποποιήσεις αυτού του εξοπλισμού που δεν έχουν ρητά εγκριθεί από τον υπεύθυνο συμμόρφωσης, μπορεί να ακυρώσουν την αρμοδιότητα του χρήστη να λειτουργήσει τον εξοπλισμό. Ο εξοπλισμός αυτός έχει δοκιμαστεί και κρίθηκε ότι συμμορφώνεται με τους περιορισμούς περί ψηφιακών συσκευών Κατηγορίας Α, σύμφωνα με το Κεφάλαιο 15 των κανόνων της FCC. Αυτά τα όρια έχουν σχεδιαστεί για να παρέχουν εύλογη προστασία από τις επιβλαβείς παρεμβολές όταν ο εξοπλισμός λειτουργεί σε εμπορικό περιβάλλον. Αυτό ο εξοπλισμός λειτουργεί, χρησιμοποιεί και μπορεί να εκπέμπει ενέργεια ραδιοσυχνοτήτων και, εάν δεν εγκατασταθεί και δεν χρησιμοποιηθεί σύμφωνα με το εγχειρίδιο οδηγιών, ενδέχεται να προκαλέσει επιβλαβείς παρεμβολές στις ραδιοεπικοινωνίες. Η λειτουργία του εξοπλισμού σε οικιστική περιοχή ενδεχομένως να προκαλέσει επιβλαβείς παρεμβολές, στην οποία περίπτωση ο χρήστης θα χρειαστεί να καλύψει με δικά του έξοδα την αποκατάσταση των παρεμβολών. Για τη μείωση των προβλημάτων παρεμβολών, μπορούν να χρησιμοποιηθούν οι ακόλουθες τεχνικές:

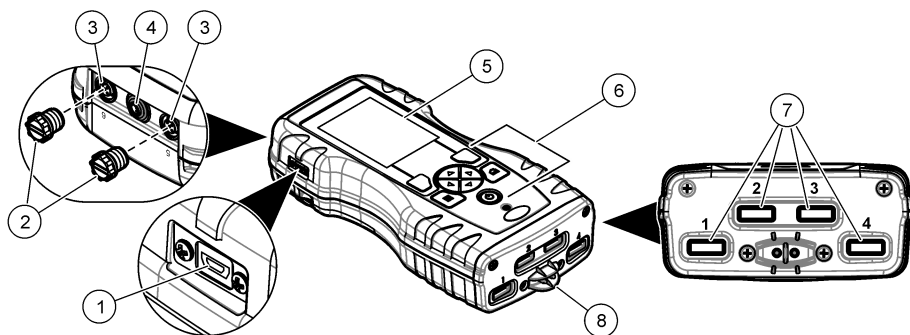
1. Αποσυνδέστε τον εξοπλισμό από την πηγή ισχύος της, προκειμένου να διαπιστωθεί εάν είναι ή δεν είναι η πηγή της παρεμβολής.
2. Αν ο εξοπλισμός είναι συνδεδεμένος με την ίδια έξοδο όπως και η συσκευή που παρουσιάζει παρεμβολές, συνδέστε τον εξοπλισμό σε μια διαφορετική έξοδο.
3. Μετακινήστε τον εξοπλισμό μακριά από τη συσκευή που λαμβάνει την παρεμβολή.
4. Επανατοποθετήστε την κεραία λήψης της συσκευής που λαμβάνει την παρεμβολή.
5. Δοκιμάστε συνδυασμούς των παραπάνω.

3.2 Επισκόπηση προϊόντος

Ο φορητός παράλληλος αναλυτής SL1000 μετρά έως και έξι παραμέτρους ταυτόχρονα στο πόσιμο νερό και σε άλλες εφαρμογές καθαρού νερού. Ο μετρητής χρησιμοποιεί Chemkeys® και ψηφιακά ηλεκτρόδια IntelliCAL™ για μέτρηση διαφόρων παραμέτρων σε νερό. Ο μετρητής αναγνωρίζει αυτόματα τον τύπο Chemkey που έχει τοποθετηθεί ή τον τύπο αισθητηρίου που είναι συνδεδεμένο με το μετρητή.

Ο μετρητής μπορεί να χρησιμοποιήσει το πολύ τέσσερα Chemkey και το πολύ δύο αισθητήρια για μετρήσεις. Ανατρέξτε στην [Εικόνα 1](#).

Εικόνα 1 Επισκόπηση προϊόντος



1 Θύρα Mini USB	5 Οθόνη
2 Καπάκια θύρας συνδέσμου αισθητηρίου	6 Πληκτρολόγιο
3 Θύρες σύνδεσης αισθητηρίου	7 Υποδοχές Chemkey
4 Θύρα πρόσβασης τροφοδοσίας	8 Ανιχνευτής δείγματος

3.3 Εξαρτήματα προϊόντος

Βεβαιωθείτε ότι έχετε λάβει όλα τα εξαρτήματα. Ανατρέξτε στην τεκμηρίωση που παρέχεται. Εάν κάποιο αντικείμενο λείπει ή έχει υποστεί ζημιά, επικοινωνήστε αμέσως με τον κατασκευαστή ή με έναν αντιπρόσωπο πωλήσεων.

Ενότητα 4 Εγκατάσταση

▲ ΠΡΟΕΙΔΟΠΟΙΗΣΗ



Πολλαπλοί κίνδυνοι. Μόνο ειδικευμένο προσωπικό πρέπει να εκτελεί τις εργασίες που περιγράφονται σε αυτήν την ενότητα του εγχειριδίου.

4.1 Lithium battery safety

▲ ΠΡΟΕΙΔΟΠΟΙΗΣΗ



Κίνδυνος πυρκαγιάς και έκρηξης. Οι μπαταρίες λιθίου μπορεί να υπερθερμανθούν, να εκραγούν ή να αναφλεγούν και να προκληθεί σοβαρός τραυματισμός σε περίπτωση κακής χρήσης.

- Μην χρησιμοποιείτε την μπαταρία σε περίπτωση ορατής βλάβης.
- Μην χρησιμοποιείτε την μπαταρία σε περίπτωση ισχυρού κραδασμού ή δόνησης.
- Μην εκθέτετε την μπαταρία σε εστίες φωτιάς.
- Διατηρείτε την μπαταρία σε θερμοκρασίες κάτω των 60 °C (140 °F).
- Διατηρείτε την μπαταρία στεγνή και μακριά από νερό.
- Αποτρέψτε την επαφή του θετικού και του αρνητικού πόλου της μπαταρίας.
- Μην αφήνετε μη εξουσιοδοτημένα άτομα να έρθουν σε επαφή με την μπαταρία.
- Απορρίψτε την μπαταρία σύμφωνα με τους τοπικούς, περιφερειακούς και εθνικούς κανονισμούς.
- Μην χρησιμοποιείτε ή αποθηκεύετε το όργανο σε άμεσο ηλιακό φως, κοντά σε πηγή θερμότητας ή σε περιβάλλοντα με υψηλές θερμοκρασίες όπως σε κλειστό όχημα σε άμεσο ηλιακό φως.

4.2 Τοποθέτηση μπαταριών

▲ ΠΡΟΕΙΔΟΠΟΙΗΣΗ



Κίνδυνος πυρκαγιάς/έκρηξης. Ο παρών εξοπλισμός περιέχει μπαταρία λιθίου υψηλής ενέργειας, η οποία μπορεί να αναφλεχθεί και να προκαλέσει πυρκαγιά ή έκρηξη, ακόμη και όταν δεν διαρρέεται από ρεύμα. Για τη διατήρηση της ασφάλειας που παρέχεται από το περιβλήμα του οργάνου, το περιβλήμα του οργάνου πρέπει να εγκατασταθεί και να ασφαλιστεί με τον παρεχόμενο υλικό εξοπλισμό.



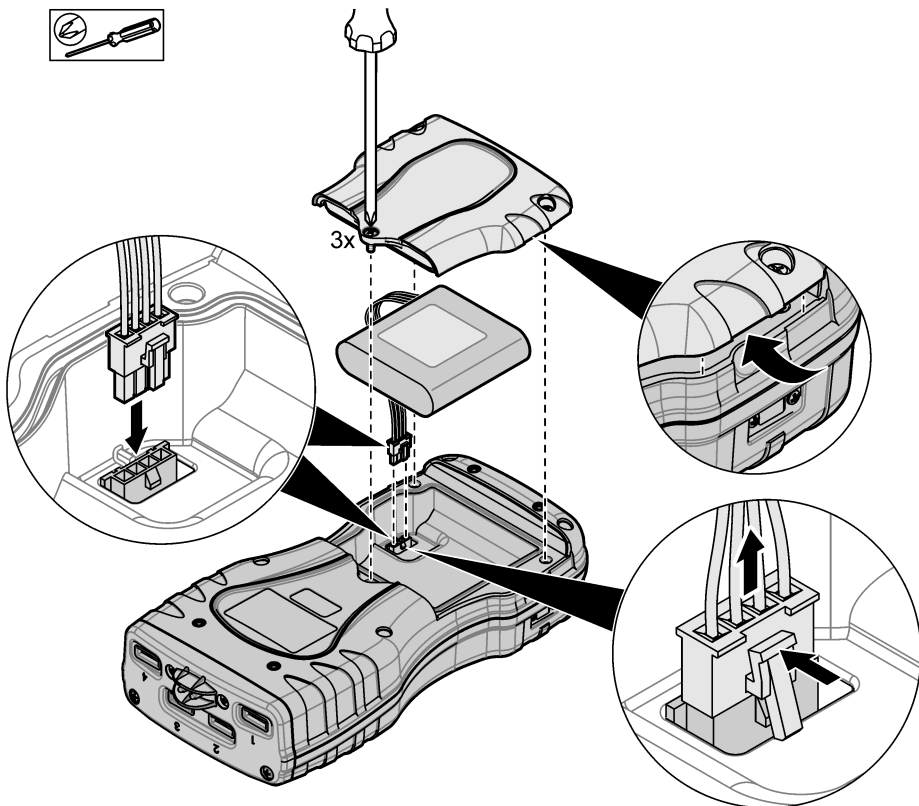
▲ ΠΡΟΕΙΔΟΠΟΙΗΣΗ



Κίνδυνος έκρηξης και πυρκαγιάς. Η αντικατάσταση μπαταριών δεν επιτρέπεται. Χρησιμοποιείτε μόνο μπαταρίες που παρέχονται από τον κατασκευαστή του οργάνου.

Χρησιμοποιείτε μόνο την επαναφορτιζόμενη μπαταρία ιόντων λιθίου που παρέχεται από τον κατασκευαστή. Ανατρέξτε στην [Εικόνα 2](#) για τοποθέτηση ή αφαίρεση της μπαταρίας.

Εικόνα 2 Τοποθέτηση και αφαίρεση μπαταρίας



4.3 Φόρτιση της μπαταρίας

▲ ΠΡΟΕΙΔΟΠΟΙΗΣΗ



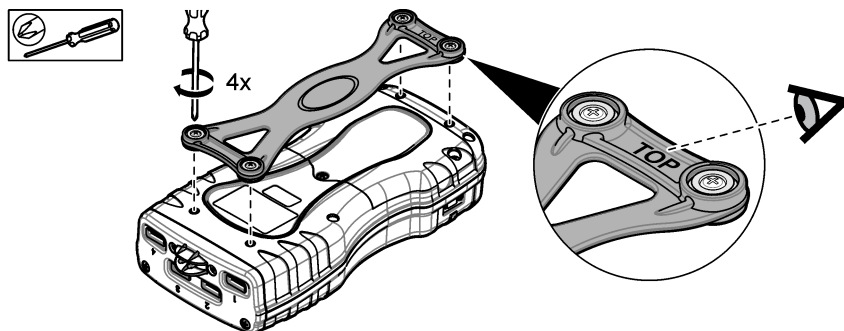
Κίνδυνος πυρκαγιάς. Χρησιμοποιείτε μόνο το εξωτερικό τροφοδοτικό που προβλέπεται για αυτό το όργανο.

1. Συνδέστε το εξωτερικό τροφοδοτικό σε μια πρίζα κεντρικής παροχής εναλλασσόμενου ρεύματος.
2. Συνδέστε το εξωτερικό τροφοδοτικό στη θύρα πρόσβασης τροφοδοσίας του μετρητή. Ανατρέξτε στην [Επισκόπηση προϊόντος](#) στη σελίδα 439.
 - Το όργανο μπορεί να λειτουργεί ενόσω η μπαταρία φορτίζεται.
 - Δεν επιτρέπεται η αντικατάσταση του εξωτερικού τροφοδοτικού. Χρησιμοποιείτε μόνο το εξωτερικό τροφοδοτικό που καθορίζεται στη λίστα ανταλλακτικών και εξαρτημάτων για το όργανο. Ανατρέξτε στην [Ανταλλακτικά και εξαρτήματα](#) στη σελίδα 457.
 - Μην φορτίζετε την μπαταρία για περισσότερο από 24 ώρες.

4.4 Τοποθέτηση του αναδέτη

Τοποθετήστε τον αναδέτη για να κρατάτε με ασφάλεια το μετρητή. Βλ. [Εικόνα 3](#).

Εικόνα 3 Τοποθέτηση αναδέτη

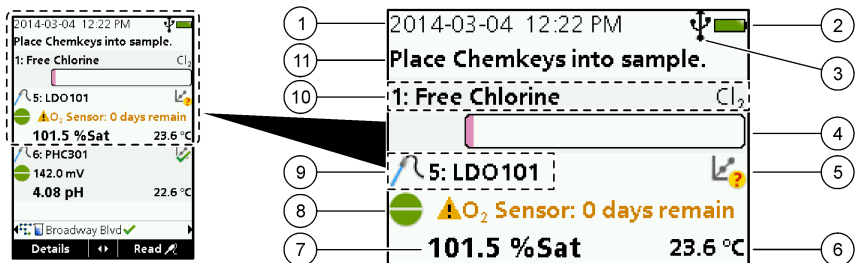


Ενότητα 5 Περιβάλλον και πλοήγηση χρήση

5.1 Περιγραφή οθόνης

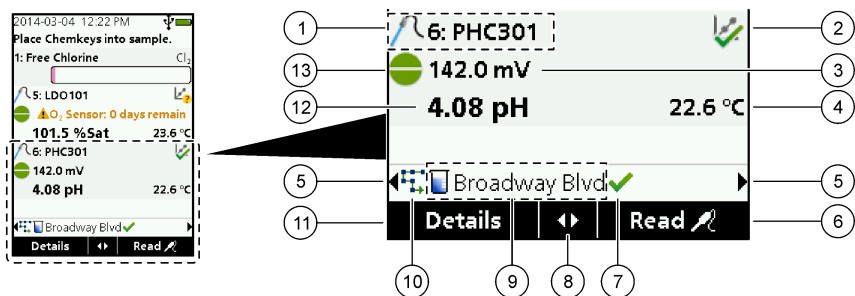
Ανατρέξτε στην [Εικόνα 4](#) και την [Εικόνα 5](#) για την περιγραφή της οθόνης μέτρησης.

Εικόνα 4 Οθόνη μέτρησης (άνω τμήμα)



1 Ημερομηνία και ώρα	7 Τιμή κύριας μέτρησης (παράμετρος επιλεγμένη από το χρήστη)
2 Κατάσταση μπαταρίας	8 Εικονίδιο σταθεροποίησης με εικονίδιο προειδοποίησης και μήνυμα προειδοποίησης
3 Εικονίδιο ενεργής σύνδεσης USB (θύρα COM) όταν έχει επιλεγεί επικοινωνία	9 Εικονίδιο αισθητηρίου, αριθμός θέσης, όνομα παραμέτρου ή αισθητηρίου
4 Γραμμή προόδου (μη ολοκληρωμένη μέτρηση)	10 Αριθμός υποδοχής, όνομα παραμέτρου και χημικό σύμβολο
5 Εικονίδιο κατάστασης βαθμονόμησης (εσφαλμένη βαθμονόμηση)	11 Πολύ σημαντικό μήνυμα για συσκευές (που ακολουθείται από μήνυμα σφάλματος και κατόπιν μήνυμα προειδοποίησης)
6 Δεύτερη μέτρηση (παράμετρος επιλεγμένη από το χρήστη)	

Εικόνα 5 Οθόνη μέτρησης (κάτω τμήμα)

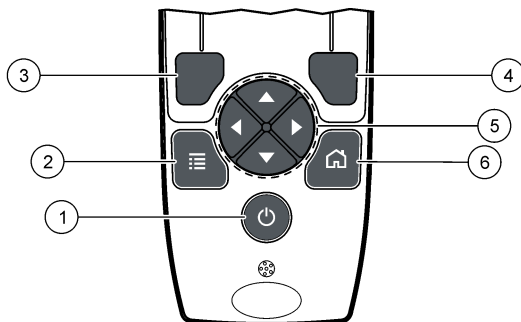


1 Εικονίδιο αισθητηρίου, αριθμός θέσης, όνομα παραμέτρου ή αισθητηρίου	8 Ενεργά πλήκτρα βέλους
2 Εικονίδιο κατάστασης βαθμονόμησης (σωστή βαθμονόμηση)	9 Εικονίδιο ID τοποθεσίας και όνομα τοποθεσίας
3 Τιμή δεύτερης μέτρησης (παράμετρος επιλεγμένη από το χρήστη)	10 Εικονίδιο διαδρομών (εμφανίζεται όταν οι διαδρομές είναι ενεργοποιημένες)
4 Τιμή τρίτης μέτρησης (παράμετρος επιλεγμένη από το χρήστη)	11 Επιλογές (σχετικές με το περιεχόμενο: Λεπτομέρειες, έξοδος, ακύρωση, επιλογή, αποεπιλογή)
5 Δεξιά και αριστερά βέλη για επιλογή του κατάλληλου ID τοποθεσίας	12 Τιμή κύριας μέτρησης (επιλεγμένη από το χρήστη)
6 Επιλογές (σχετικές με το περιεχόμενο: Μέτρηση, επιλογή, OK, διαγραφή)	13 Εικονίδιο σταθερότητας
7 Σημάδι ελέγχου: Ολοκληρωμένη μέτρηση στην τοποθεσία	

5.2 Περιγραφή πληκτρολογίου

Για την περιγραφή του πληκτρολογίου και για πληροφορίες πλοήγησης, ανατρέξτε στην [Εικόνα 6](#).

Εικόνα 6 Περιγραφή πληκτρολογίου



1 Πλήκτρο ΕΝΕΡΓΟΠΟΙΗΣΗΣ	4 Πλήκτρο επιλογής ΔΕΞΙΑ (εξαρτάται από το μενού): Μέτρηση δειγμάτων, διαγραφή, επιλογή ή επιβεβαίωση επιλογών, άνοιγμα υπομενού
2 Πλήκτρο ΚΥΡΙΟΥ ΜΕΝΟΥ: Επαλήθευση επιλογής, βαθμονόμηση, διαδρομές, ρυθμίσεις, μητρώο καταγραφής δεδομένων, πληροφορίες, διαγνωστικός έλεγχος, ID χειριστή και ID τοποθεσίας	5 Πλήκτρα πλοήγησης: ΑΝΩ, ΚΑΤΩ, ΔΕΞΙΑ, ΑΡΙΣΤΕΡΑ ¹ : Κύλιση στα μενού, εισαγωγή αριθμών και γραμμάτων.
3 Πλήκτρο επιλογής ΑΡΙΣΤΕΡΑ (εξαρτάται από το μενού): Λεπτομέρειες, επιλογή/αποεπιλογή, ακύρωση ή έξοδος από την τρέχουσα οθόνη μενού και μετάβαση στην προηγούμενη	6 ΑΡΧΙΚΗ: Μετάβαση στην κύρια οθόνη μετρήσεων.

Ενότητα 6 Εκκίνηση

6.1 Ενεργοποίηση συσκευής

Πατήστε το πλήκτρο **ΕΝΕΡΓΟΠΟΙΗΣΗΣ** για να ενεργοποιήσετε ή να απενεργοποιήσετε το μετρητή. Αν δεν ενεργοποιείται ο μετρητής, βεβαιωθείτε ότι η μπαταρία έχει τοποθετηθεί σωστά.

6.2 Αλλαγή γλώσσας

Ρυθμίστε τη γλώσσα εμφάνισης όταν ενεργοποιήσετε το μετρητή για πρώτη φορά. Αλλάξτε τη γλώσσα από το μενού **Ρυθμίσεις**.

1. Πατήστε **Ρυθμίσεις>Γλώσσα**.
2. Επιλέξτε τη γλώσσα που επιθυμείτε.

6.3 Αλλαγή ημερομηνίας και ώρας

Υπάρχουν δύο επιλογές ρύθμισης της ημερομηνίας και της ώρας και της μορφής με την οποία εμφανίζονται:

- Ρυθμίστε την ημερομηνία και την ώρα όταν ενεργοποιήσετε το μετρητή για πρώτη φορά.

¹ ΑΝΩ, ΚΑΤΩ: Κύλιση σε μετρήσεις όταν υπάρχουν περισσότερες από τέσσερις μετρήσεις, ΔΕΞΙΑ, ΑΡΙΣΤΕΡΑ: Κύλιση σε ID χειριστών και δειγμάτων.

- Ρυθμίστε την ημερομηνία και την ώρα από το μενού Ημ/νία & ώρα.

1. Επιλέξτε **Ρυθμίσεις>Μετρητής>Ημ/νία & ώρα**.

- Χρησιμοποιήστε τα κουμπιά με τα βέλη για να επιλέξετε τη μορφή της ημερομηνίας και της ώρας και στη συνέχεια εισαγάγετε τις πληροφορίες τρέχουσας ημερομηνία και ώρας.
Η τρέχουσα ημερομηνία και η ώρα θα εμφανιστούν στην οθόνη και στα δεδομένα μέτρησης του μητρώου καταγραφής.

Ενότητα 7 Τυπική λειτουργία

7.1 Χρήση ενός ID χειριστή

Η ετικέτα του ID χειριστή συσχετίζει μετρήσεις με ένα χειριστή. Όλα τα αποθηκευμένα δεδομένα θα περιλαμβάνουν το ID χειριστή.

Για εύκολη διαχείριση των ID χειριστή, χρησιμοποιήστε την εφαρμογή web "tool.htm". Ανατρέξτε στην τοποθεσία Web του κατασκευαστή για περισσότερες πληροφορίες.

- Πατήστε **Κύριο μενού>ID χειριστή**
- Ορίστε μια επιλογή.

Επιλογή	Περιγραφή
Λειτουργία	Ορίστε τη λειτουργία ID χειριστή σε ενεργή ή ανενεργή (προεπιλογή).
Επιλογή	Επιλέξτε ένα ID από μια λίστα. Το τρέχον ID θα συσχετιστεί με τα δεδομένα δείγματος μέχρι να επιλεγεί διαφορετικό ID. Χρησιμοποιήστε τα ANQ και KATQ βέλη για να επιλέξετε ένα ID χειριστή από την αρχική οθόνη. Μπορείτε να επιλέξετε το ID χειριστή στην οθόνη μέτρησης προτού εισαχθεί ένα Chemkey στην υποδοχή ή συνδεθεί ένα αισθητήριο.
Δημιουργία	Εισαγάγετε ένα όνομα για το νέο ID χειριστή.
Διαγραφή	Διαγράψτε ένα υπάρχον ID χειριστή.

7.2 Χρήση ενός ID τοποθεσίας

Επιλέξτε την ετικέτα ID τοποθεσίας για να συσχετίσετε μετρήσεις με ένα συγκεκριμένο δείγμα ή με μια τοποθεσία. Αν ανατεθεί, τα αποθηκευμένα δεδομένα θα περιλαμβάνουν αυτό το ID.

Για εύκολη διαχείριση των ID τοποθεσίας, χρησιμοποιήστε την εφαρμογή web "tool.htm". Ανατρέξτε στην τοποθεσία Web του κατασκευαστή για περισσότερες πληροφορίες.

- Πατήστε **Κύριο μενού>ID τοποθεσίας**
- Ορίστε μια επιλογή.

Επιλογή	Περιγραφή
Λειτουργία	Ορίστε τη λειτουργία του ID τοποθεσίας σε μη αυτόματα, αυτόματα, ανενεργό ή διαδρομές. Μη αυτόματα —Επιλέξτε ένα ID τοποθεσίας μη αυτόματα. Αυτόματα —Τα δείγματα αριθμούνται με σειρά για κάθε μέτρηση μέχρι να επιλεγεί ένα διαφορετικό ID. Ανενεργό —Η λειτουργία ID τοποθεσίας είναι ρυθμισμένη σε ανενεργή (προεπιλογή). Διαδρομές —Παρέχει ένα ταξινομημένο υποσύνολο της πλήρους λίστας των ID τοποθεσίας.
Επιλογή	Επιλέξτε ένα ID από μια λίστα. Το τρέχον ID θα συσχετιστεί με τα δεδομένα δείγματος μέχρι να επιλεγεί διαφορετικό ID. Ορίστε την επιλογή ID τοποθεσίας>Εμφάνιση σε Ναι. Χρησιμοποιήστε το ΔΕΞΙ ή το ΑΡΙΣΤΕΡΟ βέλος για να επιλέξετε το τρέχον ID τοποθεσίας στην οθόνη μέτρησης. Βεβαιωθείτε ότι η επιλογή ID τοποθεσίας>Εμφάνιση έχει οριστεί σε Ναι και ότι υπάρχει τουλάχιστον ένα Chemkey στην υποδοχή ή έχει συνδεθεί ένα αισθητήριο.
Δημιουργία	Προσθέτει ένα νέο ID τοποθεσίας.
Διαγραφή	Διαγραφή ενός ή περισσότερων υπαρχόντων ID τοποθεσίας. Σημείωση: Για να διαγράψετε ένα ID τοποθεσίας, βεβαιωθείτε ότι έχετε επιλέξει τον τρόπο λειτουργίας Μη αυτόματα .
Εμφάνιση	Εμφανίζει το ID τοποθεσίας στην οθόνη μέτρησης. Ορίστε το σε ενεργό ή ανενεργό.

Επιλογή	Περιγραφή
Διαδρομές	Παρέχει μια ταξινομημένη λίστα των ID τοποθεσίας. Αν έχει επιλεγεί μια διαδρομή, τα ID τοποθεσίας εμφανίζονται αυτόματα στην οθόνη μέτρησης και καταγράφονται. Πατήστε το ΔΕΞΙ βέλος για να επιλέξετε την επόμενη τοποθεσία. Χρησιμοποιήστε την εφαρμογή web "tool.htm" για να ορίσετε τις διαδρομές. Ανατρέξτε στην τοποθεσία Web του κατασκευαστή για περισσότερες πληροφορίες.
Σημειώσεις	Καταγράψτε ειδικές πληροφορίες και προσθέστε αυτές τις πληροφορίες σε ένα μητρώο συμβάντων.

7.3 Ολοκλήρωση μετρήσεων με Chemkey

ΕΙΔΟΠΟΙΗΣΗ

Μην αρχίζετε μια νέα μέτρηση Chemkey όταν υπάρχουν άλλες μετρήσεις Chemkey που δεν έχουν ακόμα ολοκληρωθεί. Τοποθετήστε το μετρητή μόνο μία φορά στο δείγμα για μια μέτρηση Chemkey.

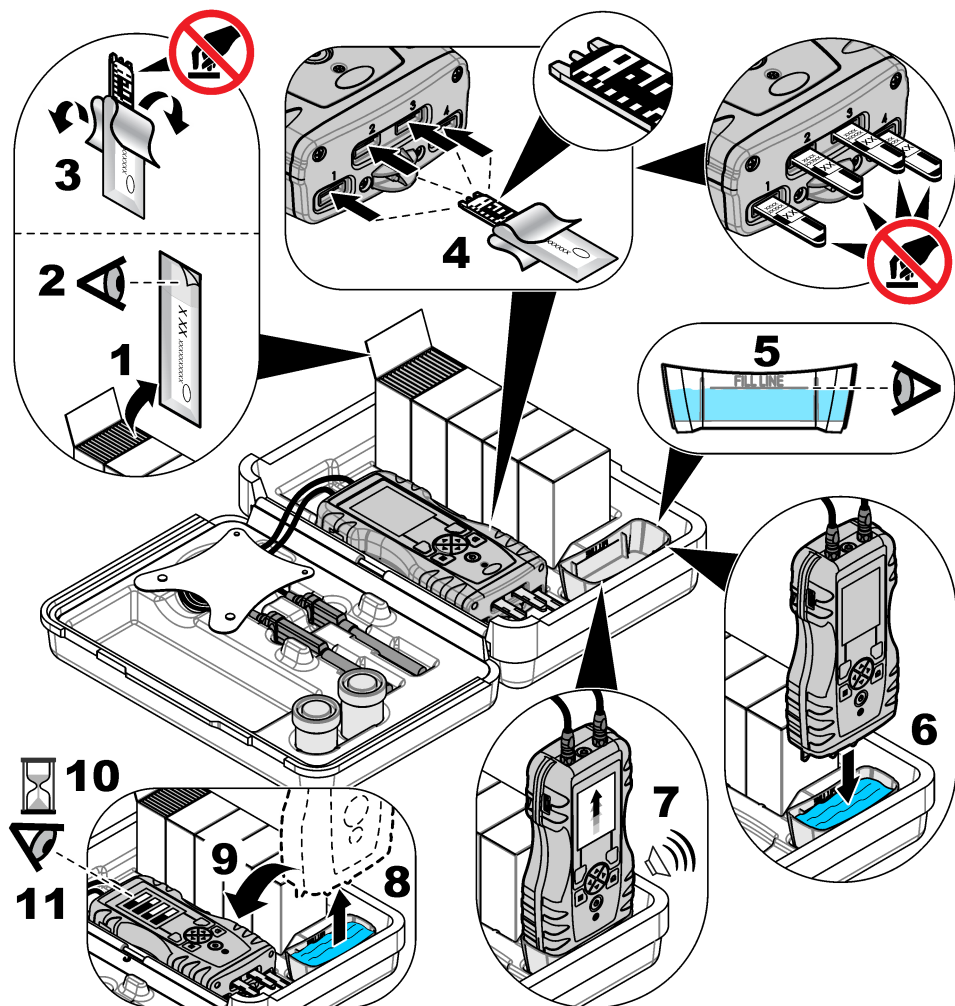
Για να ολοκληρώσετε μια μέτρηση με ένα ή περισσότερα Chemkey, ακολουθήστε την παρακάτω διαδικασία. Ανατρέξτε στην [Εικόνα 7](#). Μπορείτε να ολοκληρώσετε μετρήσεις πολλαπλών αισθητηρίων ταυτόχρονα. Ανατρέξτε στην [Ολοκλήρωση μετρήσεων αισθητηρίων](#) στη σελίδα 448.

1. Ενεργοποιήστε το μετρητή.
2. Αν είναι απαραίτητη η πλήρης ιχνηλασιμότητα, εισαγάγετε ένα ID τοποθεσίας και ένα ID χειριστή πριν από τη μέτρηση. Ανατρέξτε στην [Χρήση ενός ID χειριστή](#) στη σελίδα 445 και στην [Χρήση ενός ID τοποθεσίας](#) στη σελίδα 445.
3. Πιέστε πλήρως το κατάλληλο ή τα κατάλληλα Chemkey, με μία κίνηση, στην υποδοχή ή στις υποδοχές 1 έως 4. Βεβαιωθείτε ότι χρησιμοποιείτε ένα νέο Chemkey για κάθε μέτρηση. Είναι σημαντικό να πιέζετε το Chemkey εντελώς μέσα στην υποδοχή. Όταν ένα Chemkey βρίσκεται μέσα στην υποδοχή, μην μετακινείτε και μην αγγίζετε το Chemkey.²
4. Εκπλύνετε τον υποδοχέα δείγματος με το δείγμα.
5. Γεμίστε τον υποδοχέα δείγματος του μετρητή με δείγμα έως τη γραμμή πλήρωσης.
6. Τοποθετήστε το μετρητή εντός του υποδοχέα δείγματος του μετρητή.
7. Περιμένετε έως ότου ακούσετε την ηχητική ειδοποίηση ή/και δείτε το κινούμενο σχέδιο απομάκρυνσης του μετρητή (εντός 1 ή 2 δευτερολέπτων) και κατόπιν απομακρύνετε το μετρητή από τον υποδοχέα δείγματος. Τοποθετήστε το μετρητή πίσω στη θήκη του και περιμένετε μέχρι να ολοκληρωθεί η μέτρηση. Οι παράμετροι έχουν διαφορετικούς χρόνους αντίδρασης. Η οθόνη εμφανίζει μια γραμμή προόδου με το χρόνο που απομένει έως την ολοκλήρωση της μέτρησης.
8. Οι τιμές μέτρησης εμφανίζονται στην οθόνη.

Σημείωση: Όταν εμφανιστεί κάποιο σφάλμα, πατήστε **Λεπτομέρειες** για περισσότερες πληροφορίες.

² Για λήψη μιας μέτρησης ελεύθερης αμμωνίας, είναι απαραίτητο ένα Chemkey μονοχλωραμίνης και ένα Chemkey ελεύθερης αμμωνίας.

Εικόνα 7 Μέτρηση δείγματος με Chemkey



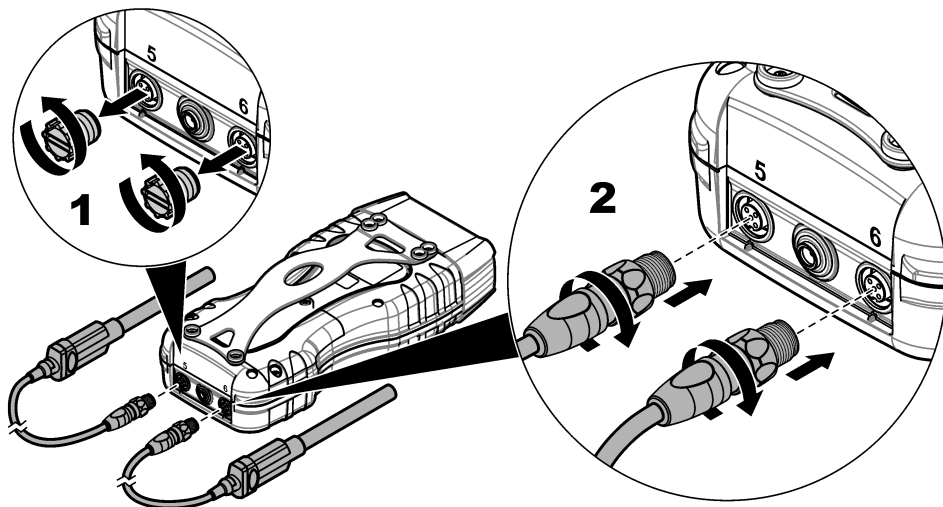
7.4 Συνδέστε ένα ηλεκτρόδιο

ΕΙΔΟΠΟΙΗΣΗ

Μην απορρίπτετε τα καπάκια της θύρας συνδέσμου του αισθητήριου. Βεβαιωθείτε ότι τα καπάκια της θύρας συνδέσμου του αισθητήριου είναι τοποθετημένα όταν δεν υπάρχει συνδεδεμένο αισθητήριο.

Βεβαιωθείτε ότι η οθόνη εμφανίζει την τρέχουσα ημερομηνία και ώρα και κατόπιν συνδέστε το αισθητήριο στο μετρητή. Ανατρέξτε στην [Εικόνα 8](#).

Σημείωση: Η χρονοσήμανση για το ηλεκτρόδιο ρυθμίζεται κατά την πρώτη σύνδεση του ηλεκτροδίου στο μετρητή. Αυτή η χρονοσήμανση καθιστά δυνατή την καταγραφή του ιστορικού ηλεκτροδίων και την καταγραφή της ώρας κατά την εκτέλεση των μετρήσεων.



7.5 Ολοκλήρωση μετρήσεων αισθητηρίων

Εκτελέστε την παρακάτω διαδικασία για να ολοκληρώσετε μια μέτρηση με αισθητήρια. Ανατρέξτε στην [Εικόνα 9](#). Μπορείτε να ολοκληρώσετε μετρήσεις πολλαπλών Chemkey ταυτόχρονα. Ανατρέξτε στην [Ολοκλήρωση μετρήσεων με Chemkey](#) στη σελίδα 446.

1. Βαθμονομήστε τα αισθητήρια πριν από την αρχική χρήση. Ανατρέξτε στην ενότητα [Βαθμονόμηση του αισθητηρίου](#) στη σελίδα 449.

Σημείωση: Για μέγιστη ακρίβεια, βαθμονομείτε τα αισθητήρια σε καθημερινή βάση.

2. Ρυθμίστε την ημερομηνία και την ώρα προτού συνδέσετε το αισθητήριο. Ανατρέξτε στην [Αλλαγή ημερομηνίας και ώρας](#) στη σελίδα 444.

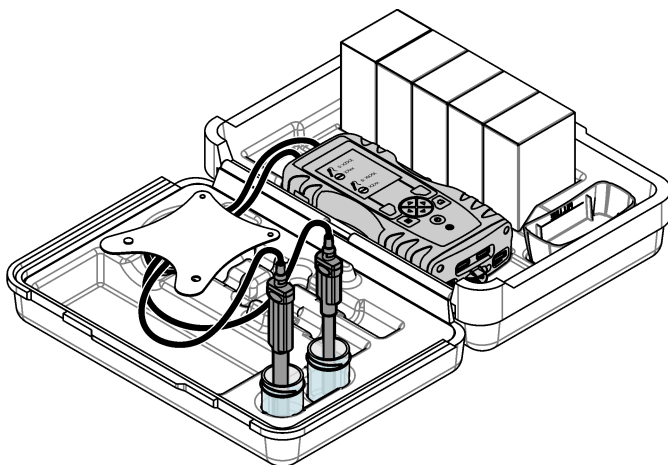
Το αισθητήριο πρέπει να φέρει τη σωστή χρονοσήμανση διάρκειας ζωής.

3. Αν είναι απαραίτητη η πλήρης ιχνηλασιμότητα, εισαγάγετε ένα ID τοποθεσίας και ένα ID χειριστή πριν από τη μέτρηση. Ανατρέξτε στην [Χρήση ενός ID χειριστή](#) στη σελίδα 445 και στην [Χρήση ενός ID τοποθεσίας](#) στη σελίδα 445.

4. Αφαιρέστε τα καπάκια της θύρας συνδέσμου του αισθητηρίου και συνδέστε το(α) αισθητήριο(α). Ανατρέξτε στην [Εικόνα 8](#) στη σελίδα 448 για τη σύνδεση αισθητηρίων.

Σημείωση: Μην απορρίπτετε τα καπάκια της θύρας συνδέσμου του αισθητηρίου. Τοποθετήστε ξανά τα καπάκια της θύρας συνδέσμου του αισθητηρίου όταν δεν υπάρχει συνδεδεμένο αισθητήριο.

5. Εκπλύνετε τις ογκομετρικές φιάλες δείγματος με δείγμα.
6. Γεμίστε την ογκομετρική φιάλη δείγματος με δείγμα, έτσι ώστε το αισθητήριο να βρίσκεται πλήρως εντός του δείγματος.
7. Τοποθετήστε το αισθητήριο μέσα στις ογκομετρικές φιάλες δείγματος του αισθητηρίου και πατήστε **Μέτρηση** αν ο τρόπος λειτουργίας μέτρησης έχει οριστεί σε **Μέτρηση με το πάτημα**. Για περισσότερες πληροφορίες, ανατρέξτε στα έγγραφα τεκμηρίωσης του αισθητηρίου.
8. Οι τιμές μέτρησης εμφανίζονται στην οθόνη.




Ενότητα 8 Βαθμολόγηση

⚠ ΠΡΟΣΟΧΗ



Κίνδυνος έκθεσης σε χημικά. Τηρείτε τις εργαστηριακές διαδικασίες ασφάλειας και φοράτε όλα τα μέσα ατομικής προστασίας που είναι κατάλληλα για τα χημικά που χειρίζεστε. Ανατρέξτε στα υπάρχοντα φύλλα δεδομένων ασφαλείας υλικού (MSDS/SDS) για τα πρωτόκολλα ασφαλείας.

8.1 Βαθμολόγηση του αισθητήριου

Κάθε αισθητήριο χρησιμοποιεί διαφορετικό τύπο διαλύματος βαθμολόγησης. Βεβαιωθείτε ότι βαθμονομείτε τα αισθητήρια συχνά, προκειμένου να διατηρείται το υψηλότερο επίπεδο ακρίβειας. Ο μετρητής εμφανίζει την κατάσταση βαθμολόγησης. Αν η βαθμολόγηση δεν είναι σωστή, εμφανίζεται το εικονίδιο βαθμολόγησης με το ερωτηματικό  μέχρις ότου βαθμονομηθεί σωστά το αισθητήριο. Όταν η βαθμολόγηση είναι σωστή, εμφανίζεται το εικονίδιο βαθμολόγησης με το πράσινο σημάδι ελέγχου. Για οδηγίες βήμα-βήμα, ανατρέξτε στα έγγραφα που συνοδεύουν κάθε αισθητήριο. Ανατρέξτε στην τοποθεσία Web του κατασκευαστή για περισσότερες πληροφορίες.

1. Συνδέστε ένα ηλεκτρόδιο.
2. Πατήστε **Κύριο μενού>Βαθμολόγηση** για να ξεκινήσετε μια βαθμολόγηση.
3. Σε περίπτωση που στο όργανο είναι συνδεδεμένα περισσότερα από ένα αισθητήρια, επιλέξτε το κατάλληλο αισθητήριο.

Σημείωση: Αν είναι συνδεδεμένο μόνο ένα αισθητήριο, αυτό το βήμα δεν εμφανίζεται.

4. Ολοκληρώστε τις οδηγίες που εμφανίζονται στην οθόνη για βαθμολόγηση του αισθητήριου.

Σημείωση: Για ένα αισθητήριο ISE, πατήστε το ΔΕΞΙ βέλος για να μεταβείτε στο επόμενο πρότυπο βαθμολόγησης, όπως απαιτείται. Μετρήστε τα πρότυπα ξεκινώντας από εκείνα με χαμηλή συγκέντρωση προς εκείνα με υψηλή συγκέντρωση.

5. Αν είναι απαραίτητο, εκτελέστε μια επαλήθευση. Ανατρέξτε στην [Επαλήθευση αισθητήριου](#) στη σελίδα 450.

8.2 Εργοστασιακή βαθμολόγηση

Ο κατασκευαστής συνιστά να πραγματοποιείται ετησίως πλήρης εργοστασιακή βαθμολόγηση, ώστε να διασφαλίζεται ότι το σύστημα λειτουργεί όπως προβλέπεται. Επικοινωνήστε με το κέντρο εξυπηρέτησης της Hach για την τοποθεσία σας.

8.3 Βαθμονόμηση του μετρητή για μια ειδική παράμετρο Chemkey

Κάθε Chemkey χρησιμοποιεί διαφορετική ρύθμιση βαθμονόμησης. Ανατρέξτε στην τοποθεσία Web του κατασκευαστή για περισσότερες πληροφορίες.

1. Πιέστε απαλά το κατάλληλο Chemkey, με μία κίνηση, στην υποδοχή ή στις υποδοχές 1 έως 4.
2. Πατήστε **Κύριο μενού>Βαθμονόμηση** για να ξεκινήσετε μια βαθμονόμηση.
3. Επιλέξτε το κατάλληλο Chemkey.
4. Εισαγάγετε την τιμή ρύθμισης του κατάλληλου πρότυπου διαλύματος.
5. Ολοκληρώστε τις οδηγίες που εμφανίζονται στην οθόνη για βαθμονόμηση του Chemkey.
6. Αν είναι απαραίτητο, εκτελέστε μια επαλήθευση. Ανατρέξτε στην [Επαλήθευση με χρήση Chemkey](#) στη σελίδα 450.

8.4 Επαλήθευση αισθητηρίου

1. Πατήστε **Κύριο μενού>Επαλήθευση** για να ξεκινήσετε μια επαλήθευση.
2. Επιλέξτε την κατάλληλη συσκευή.
3. Ολοκληρώστε τις οδηγίες που εμφανίζονται στην οθόνη για την επαλήθευση.

Σημείωση: Για να αλλάξετε το πρότυπο που χρησιμοποιείται για επαλήθευση, πατήστε **Κύριο μενού>Ρυθμίσεις>Αισθητήριο>[Επιλέξτε αισθητήριο]>Επιλογή επαλήθευσης>Πρότυπο**.

8.5 Επαλήθευση με χρήση Chemkey

Υπάρχουν δύο επιλογές για την ολοκλήρωση μιας επαλήθευσης με χρήση Chemkey. Χρησιμοποιήστε ένα ειδικό για κάθε παράμετρο Chemkey ή ένα Chemkey επαλήθευσης συστήματος για την επαλήθευση. Ανατρέξτε στην [Ανταλλακτικά και εξαρτήματα](#) στη σελίδα 457.

• Chemkey ειδικό για κάθε παράμετρο:

1. Πιέστε απαλά το ειδικό για κάθε παράμετρο Chemkey, με μία κίνηση, στην υποδοχή ή στις υποδοχές 1 έως 4.
2. Κατόπιν, πατήστε **Κύρ. μενού>Επαλήθευση** για να ξεκινήσετε την επαλήθευση.
3. Ολοκληρώστε την καθοδηγούμενη από το μενού διαδικασία.

• Chemkey επαλήθευσης συστήματος:

1. Πατήστε **Κύριο μενού>Επαλήθευση** για να ξεκινήσετε μια επαλήθευση.
2. Στη συνέχεια, πιέστε απαλά το Chemkey επαλήθευσης συστήματος, με μία κίνηση, στην πρώτη υποδοχή.
3. Ολοκληρώστε την καθοδηγούμενη από το μενού διαδικασία.

Ενότητα 9 Μητρώο καταγραφής δεδομένων

Το μητρώο καταγραφής δεδομένων εμφανίζει όλες τις αποθηκευμένες μετρήσεις.

1. Πατήστε **Κύριο μενού>Καταγραφή δεδ..**
2. Ορίστε μια επιλογή.

Επιλογή	Περιγραφή
Αρχ. καταγρ. κατά ημ/νία	Εμφανίζει τα αποτελέσματα της μέτρησης δείγματος: το όνομα του αισθητηρίου, το σειριακό αριθμό του αισθητηρίου, τιμή, μονάδα, θερμοκρασία, χρόνο, ημερομηνία, σημειώσεις, ID χειριστή, ID τοποθεσίας και λεπτομέρειες βαθμονόμησης. Η τελευταία μέτρηση εμφανίζεται στην οθόνη. Πατήστε το ΑΡΙΣΤΕΡΟ βέλος για να δείτε τις προηγούμενες μετρήσεις.
Τρέχ. βαθμ. αισθητ.	Εμφανίζει τις λεπτομέρειες βαθμονόμησης για την πλέον πρόσφατη βαθμονόμηση. Εάν το αισθητήριο δεν έχει βαθμονομηθεί από το χρήστη, εμφανίζονται τα εργοστασιακά δεδομένα βαθμονόμησης.

Επιλογή	Περιγραφή
Ιστορικό βαθμ.αισθητ.	Εμφανίζει μια λίστα με τις φορές που βαθμονομήθηκε το αισθητήριο. Επιλέξτε μια ημερομηνία και ώρα για να δείτε μια σύνοψη των δεδομένων βαθμονόμησης.
Διαγρ. αρχ.καταγ.δεδ.	Διαγράφει αμέσως όλα τα δεδομένα του μετρητή. Τα δεδομένα της συσκευής θα διατηρηθούν.

9.1 Εξαγωγή δεδομένων σε αρχείο Excel

▲ ΠΡΟΕΙΔΟΠΟΙΗΣΗ



Κίνδυνος ηλεκτροπληξίας. Ο εξοπλισμός που συνδέεται εξωτερικά πρέπει να έχει περάσει από ισχύουσα αξιολόγηση με βάση τα πρότυπα ασφαλείας της χώρας.

Ο μετρητής αποθηκεύει το μητρώο καταγραφής δεδομένων σε μορφή XML. Το ID τοποθεσίας, η ακολουθία, η ημερομηνία και ώρα, η παράμετρος, η μετρηθείσα τιμή, οι μονάδες, το ID χειριστή, ο αριθμός υποδοχής, ο κωδικός παρτίδας Chemkey και ο σειριακός αριθμός του μετρητή μπορούν να αποθηκευτούν σε ένα υπολογιστικό φύλλο Excel.

1. Ενεργοποιήστε το μετρητή.
2. Συνδέστε το μετρητή μέσω του καλωδίου USB στον υπολογιστή. Ο μετρητής εμφανίζεται ως μονάδα δίσκου "Hach Portable Parallel Analysis" στον υπολογιστή.
3. Ανοίξτε το φάκελο "DataTemplate" από τη μονάδα δίσκου.
4. Ανοίξτε το αρχείο "LogTemplate.xlsx".
5. Κάντε δεξί κλικ στο κελί "A2" και επιλέξτε XML>Import (Εισαγωγή).
6. Επιλέξτε όλα τα αρχεία καταγραφής δεδομένων από το φάκελο "Data", από τη μονάδα δίσκου "Hach Portable Parallel Analysis".
7. Κάντε κλικ στο στοιχείο **Import** (Εισαγωγή).
Το μητρώο καταγραφής δεδομένων εμφανίζεται στο υπολογιστικό φύλλο Excel.
8. Αποθηκεύστε το αρχείο στον υπολογιστή ή σε μια μονάδα USB flash, αν είναι απαραίτητο.
9. Αφαιρέστε με ασφάλεια το μετρητή από τον υπολογιστή. Κάντε κλικ στο εικονίδιο με το πράσινο βέλος "Ασφαλής κατάργηση συσκευών υλικού και εξαγωγή αποθ/κών μέσω/ων" στη γραμμή εργασιών.
***Σημείωση:** Ορισμένα εικονίδια εμφανίζονται αν πατήσετε την επιλογή "Εμφάνιση κρυφών εικονιδίων" στη γραμμή εργασιών.*
10. Αποσυνδέστε το καλώδιο USB από το μετρητή.

9.2 Αναζήτηση δεδομένων σε ένα πρόγραμμα περιήγησης Web

Για να δείτε το μητρώο καταγραφής δεδομένων σε ένα πρόγραμμα περιήγησης Web, εκτελέστε τα ακόλουθα βήματα. Το ID τοποθεσίας, η ακολουθία, η ημερομηνία και ώρα, η παράμετρος, η μετρηθείσα τιμή, οι μονάδες, το ID χειριστή, ο αριθμός υποδοχής, ο κωδικός παρτίδας Chemkey και ο σειριακός αριθμός του μετρητή εμφανίζονται στο επιλεγμένο πρόγραμμα περιήγησης Web.

1. Ενεργοποιήστε το μετρητή.
2. Συνδέστε το μετρητή μέσω του καλωδίου USB στον υπολογιστή. Ο μετρητής εμφανίζεται ως μονάδα δίσκου "Hach Portable Parallel Analysis" στον υπολογιστή.
3. Ανοίξτε το φάκελο "Data" από τη μονάδα δίσκου.
4. Ανοίξτε ένα αρχείο καταγραφής δεδομένων.
 - Ανοίξτε το αρχείο "LogNN.XML" (NN = ψηφία από 0 έως 9) σε οποιοδήποτε πρόγραμμα περιήγησης.
 - Από το πρόγραμμα περιήγησης web, κάντε κλικ στο **File>Open menu** (Αρχείο>Ανοιγμα μενού) και μεταβείτε στο φάκελο "Data".
5. Αποθηκεύστε το αρχείο στον υπολογιστή ή σε μια μονάδα USB flash, αν είναι απαραίτητο.

- Αφαιρέστε με ασφάλεια το μετρητή από τον υπολογιστή. Κάντε κλικ στο εικονίδιο με το πράσινο βέλος "Ασφαλής κατάργηση συσκευών υλικού και εξαγωγή αποθ/κών μέσω" στη γραμμή εργασιών.
Σημείωση: Ορισμένα εικονίδια εμφανίζονται αν πατήσετε την επιλογή "Εμφάνιση κρυφών εικονιδίων" στη γραμμή εργασιών.
- Αποσυνδέστε το καλώδιο USB από το μετρητή.

Ενότητα 10 Συντήρηση

▲ ΠΡΟΕΙΔΟΠΟΙΗΣΗ



Πολλαπλοί κίνδυνοι. Μόνο ειδικευμένο προσωπικό πρέπει να εκτελεί τις εργασίες που περιγράφονται σε αυτήν την ενότητα του εγχειριδίου.

▲ ΠΡΟΣΟΧΗ



Κίνδυνος έκθεσης σε χημικά. Τηρείτε τις εργαστηριακές διαδικασίες ασφάλειας και φοράτε όλα τα μέσα ατομικής προστασίας που είναι κατάλληλα για τα χημικά που χειρίζεστε. Ανατρέξτε στα υπάρχοντα φύλλα δεδομένων ασφάλειας υλικού (MSDS/SDS) για τα πρωτόκολλα ασφάλειας.

▲ ΠΡΟΣΟΧΗ



Κίνδυνος έκθεσης σε χημικά. Απορρίπτετε τα χημικά και τα απόβλητα σύμφωνα με τους τοπικούς, περιφερειακούς και εθνικούς κανονισμούς.

10.1 Καθαρισμός εκχύσεων

▲ ΠΡΟΣΟΧΗ



Κίνδυνος έκθεσης σε χημικά. Απορρίπτετε τα χημικά και τα απόβλητα σύμφωνα με τους τοπικούς, περιφερειακούς και εθνικούς κανονισμούς.

- Ακολουθείτε πιστά όλα τα πρωτόκολλα ασφαλείας των εγκαταστάσεων για τον έλεγχο της έκχυσης υλικών.
- Απορρίπτετε τα απόβλητα σύμφωνα με τους ισχύοντες κανονισμούς.

10.2 Καθαρισμός του οργάνου

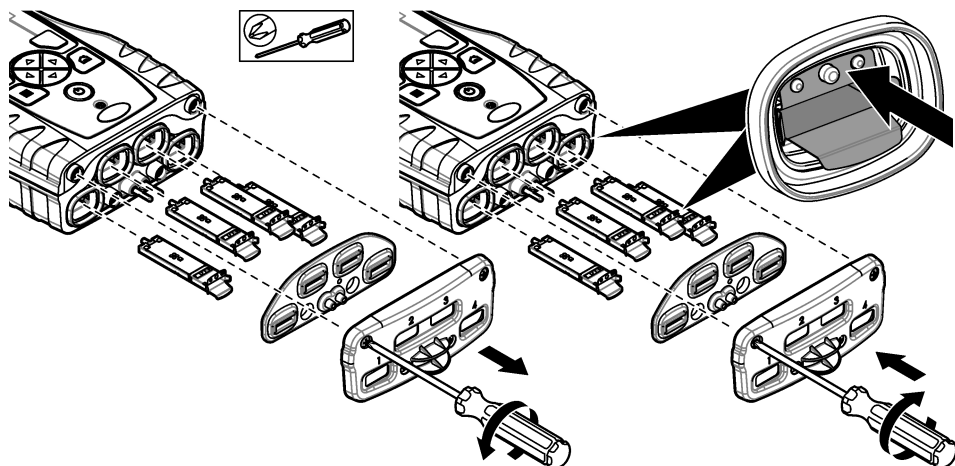
Καθαρίστε το εξωτερικό μέρος της συσκευής με ένα υγρό πανί και ήπιο διάλυμα σαπουνιού και, στη συνέχεια, σκουπίστε τη συσκευή για να την στεγνώσετε, όπως είναι απαραίτητο.

10.3 Καθαρισμός ή αντικατάσταση εξαρτημάτων

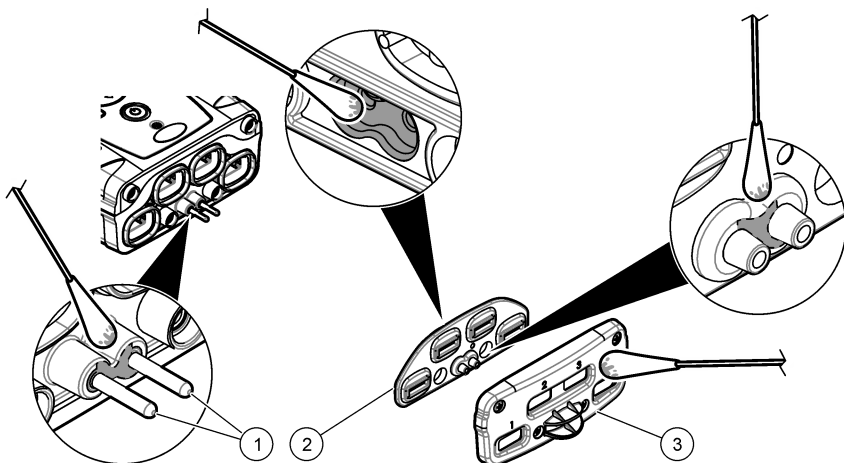
Για την αντιμετώπιση ορισμένων σφαλμάτων και προειδοποιήσεων, είναι υποχρεωτικό να καθαρίζετε τις υποδοχές Chemkey, το οπτικό παράθυρο, το παράθυρο γραμμικού κώδικα, τον ανιχνευτή δείγματος ή να αντικαθιστάτε τους δίσκους. Χρησιμοποιήστε ισοπροπυλική αλκοόλη για τον καθαρισμό των εξαρτημάτων. Χρησιμοποιήστε νερό και ένα ήπιο απορρυπαντικό για τον καθαρισμό της διάταξης προστασίας φωτός. Φροντίστε να κινείτε το βαμβακοφόρο στυλεό προς μία κατεύθυνση μόνο. Ανατρέξτε στην [Εικόνα 10](#) για την αφαίρεση του καλύμματος πρόσβασης στα οπτικά συστήματα, της διάταξης προστασίας φωτός και των δίσκων. Ανατρέξτε στην [Εικόνα 11](#) και την [Εικόνα 12](#) για τη λεπτομερή διαδικασία καθαρισμού.

Απαιτούμενα αντικείμενα: Βαμβακοφόρος στυλεός, ισοπροπυλική αλκοόλη, νερό και ήπιο απορρυπαντικό

Εικόνα 10 Αφαίρεση και επανασυναρμολόγηση εξαρτημάτων

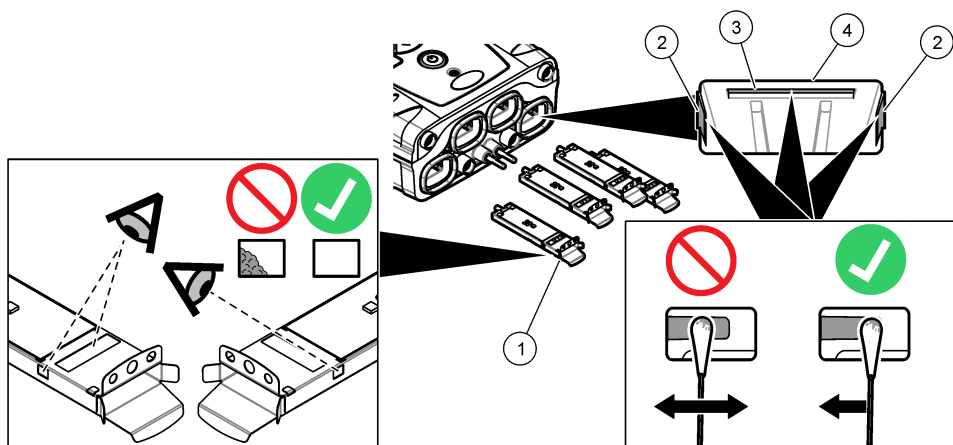


Εικόνα 11 Καθαρισμός ανιχνευτή δείγματος, διάταξης προστασίας φωτός και καλύμματος πρόσβασης



1 Ανιχνευτής δείγματος	3 Κάλυμμα πρόσβασης στα οπτικά συστήματα
2 Προστασία φωτός	

Εικόνα 12 Καθαρισμός δίσκων και υποδοχών Chemkey



1 Δίσκος	3 Παράθυρο γραμμικού κώδικα
2 Οπτικό παράθυρο	4 Υποδοχή Chemkey

10.4 Φόρτιση ή αντικατάσταση της μπαταρίας

Φορτίστε την μπαταρία όταν η στάθμη ισχύος της είναι χαμηλή. Αντικαταστήστε την μπαταρία όταν δεν περιέχει πλέον φορτίο. Χρησιμοποιείτε μόνο την καθορισμένη μπαταρία που παρέχεται από τον κατασκευαστή. Ανατρέξτε στην [Τοποθέτηση μπαταριών](#) στη σελίδα 441 και στην [Αναλλακτικά και εξαρτήματα](#) στη σελίδα 457.

10.5 Προετοιμασία για αποστολή

ΕΙΔΟΠΟΙΗΣΗ

Δυνητική βλάβη οργάνου. Αποστραγγίστε όλο το νερό από τη μονάδα πριν από την αποστολή για να αποτρέψετε την πρόκληση ζημιάς από θερμοκρασίες πήξης.

Επικοινωνήστε με το τμήμα τεχνικής υποστήριξης για οδηγίες πριν από την αποστολή στον κατασκευαστή.

- Καθαρίστε και απολυμάνετε το όργανο πριν από την αποστολή.
- Αποστείλετε το όργανο με την μπαταρία τοποθετημένη στο μετρητή, βεβαιωθείτε όμως ότι η μπαταρία δεν είναι συνδεδεμένη στο σύνδεσμο.
- Αποσυνδέστε τα αισθητήρια και αφαιρέστε τα Chemkey πριν από την αποστολή.
- Αποστείλετε το όργανο στην αρχική του συσκευασία ή σε μια εναλλακτική ασφαλή συσκευασία.

Ενότητα 11 Αντιμετώπιση προβλημάτων

Σφάλμα/Προειδοποίηση	Πιθανή αιτία	Λύση
Σφάλμα ανάγν. γραμ. κώδ. Επανατοποθ. τα Chemkey	Το Chemkey δεν λειτουργεί σωστά. Το Chemkey δεν έχει τοποθετηθεί σωστά.	<ul style="list-style-type: none"> • Τοποθετήστε ξανά το Chemkey στην υποδοχή. • Χρησιμοποιήστε ένα νέο Chemkey. • Καθαρίστε τη θυρίδα ανάγνωσης γραμμικού κώδικα. Ανατρέξτε στην Εικόνα 12 στη σελίδα 454. • Αν το πρόβλημα παραμένει, επικοινωνήστε με την τεχνική υποστήριξη.
Σφάλμα εισπν. δείγματος	Το Chemkey δεν λειτουργεί σωστά. Το Chemkey δεν έχει εισαχθεί εντελώς μέσα στην υποδοχή.	Χρησιμοποιήστε ένα νέο Chemkey και φροντίστε να πιέσετε το Chemkey εντελώς μέσα στην υποδοχή. Αν το πρόβλημα παραμένει, επικοινωνήστε με την τεχνική υποστήριξη.
Διαρροή από Chemkey. Προσπαθήστε με άλλο.		
Το Chemkey έχει λήξει	Ο χρόνος για το Chemkey έχει λήξει.	
Σφάλμα μέτρησης (1–4)	Προέκυψε σφάλμα μέτρησης στη συγκεκριμένη υποδοχή.	
Η παράμετρος δεν υποστηρίζεται	Η παράμετρος δεν είναι διαθέσιμη στο εγκατεστημένο λογισμικό οργάνου.	Αναβαμίστε το λογισμικό οργάνου. Αναζητήστε το "SL1000" στη διεύθυνση www.hach.com . Μεταβείτε στην ενότητα Λήψεις>Λογισμικό/Υλικολογισμικό και ακολουθήστε τις οδηγίες στον ιστότοπο.
Αντικατάστ.- Chemkey	Το Chemkey έχει ήδη χρησιμοποιηθεί ή υπάρχει νερό στην υποδοχή.	Χρησιμοποιήστε ένα νέο Chemkey. Αν το πρόβλημα παραμένει, στεγνώστε την υποδοχή και το όργανο και δοκιμάστε ξανά. Αν το πρόβλημα παραμένει, επικοινωνήστε με την τεχνική υποστήριξη.
Διαρροή από δίσκο. Αντικαταστήστε το δίσκο.	Προέκυψε πρόβλημα με το μετρούμενο δίσκο.	Αντικαταστήστε το δίσκο. Ανατρέξτε στην Εικόνα 10 στη σελίδα 453. Αν το πρόβλημα παραμένει, επικοινωνήστε με την τεχνική υποστήριξη.
Σφάλμα θερμαντικού Αντικαταστήστε το δίσκο	Ο δίσκος δεν λειτουργεί σωστά.	
Αφαιρέστε από το δείγμα.	Ο μετρητής τοποθετήθηκε μέσα στο δείγμα προτού να είναι έτοιμος.	Περιμένετε ωστόσο να είναι έτοιμος ο μετρητής για να τον εισαγάγετε στο δείγμα.
Το δείγμα αφαιρ. γρήγορα		Τοποθετήστε άλλο Chemkey στην υποδοχή. Περιμένετε ωστόσο να είναι έτοιμος ο μετρητής για να τον εισαγάγετε στο δείγμα.
Υπερβ. παραμονή σε δείγμα	Τα Chemkey παρέμειναν στο δείγμα για υπερβολικά μεγάλο χρονικό διάστημα. Προέκυψε κάποιο σφάλμα μέτρησης.	Αφαιρέστε αμέσως τα Chemkey όταν σας ζητηθεί.
	Η περιοχή ακίδας ανιχνευτή δείγματος είναι ακάθαρτη αν η προειδοποίηση εμφανίζεται όσο ο μετρητής δεν βρίσκεται μέσα στο δείγμα.	Καθαρίστε την περιοχή ακίδας ανιχνευτή δείγματος. Ανατρέξτε στην Καθαρισμός ή αντικατάσταση εξαρτημάτων στη σελίδα 452. Αν το πρόβλημα παραμένει, επικοινωνήστε με την τεχνική υποστήριξη.
Πάνω από το εύρος	Η συγκέντρωση είναι μεγαλύτερη από το άνω όριο της τρέχουσας μεθόδου.	Αραιώστε το δείγμα και εκτελέστε ξανά τη μέτρηση.

Σφάλμα/Προειδοποίηση	Πιθανή αιτία	Λύση
Κάτω από το εύρος	Η συγκέντρωση είναι μικρότερη από το κάτω όριο της τρέχουσας μεθόδου.	—
Δίσκος πολύ κρύος.	Ο μετρητής μπορεί να είναι υπερβολικά κρύος ώστε να θερμάνει το δίσκο ή το θερμοαντικό δεν λειτουργεί.	Μετακινήστε το μετρητή σε ένα περιβάλλον με υψηλότερη θερμοκρασία και μετρήστε ξανά. Αντικαταστήστε το δίσκο.
Δίσκος πολύ θερμός.	Ο μετρητής είναι υπερβολικά θερμός για να εκτελέσει μια σωστή μέτρηση.	Φροντίστε να κρυώσετε το μετρητή ή μετακινήστε τον έξω από την περιοχή με υψηλή θερμοκρασία περιβάλλοντος.
Υπερβ.φως περιβάλλοντος. Τοποθ. το Chemkey σε πιο σκοτεινό περιβάλλον	Το φως περιβάλλοντος είναι υπερβολικά έντονο και είναι αδύνατη η ανάγνωση του γραμμικού κώδικα.	Μετακινήστε το μετρητή σε ένα πιο σκοτεινό περιβάλλον και τοποθετήστε ξανά το Chemkey στην υποδοχή.
Χαμηλός φωτισμός. Καθαρ. τη θέση Chemkey.	Το Chemkey δεν λειτουργεί σωστά. Το Chemkey δεν έχει τοποθετηθεί σωστά.	<ul style="list-style-type: none"> • Τοποθετήστε το Chemkey στην υποδοχή πιέζοντας με μία κίνηση. • Χρησιμοποιήστε ένα νέο Chemkey. • Καθαρίστε την υποδοχή Chemkey. Ανατρέξτε στην Εικόνα 12 στη σελίδα 454. • Αν το πρόβλημα παραμένει, επικοινωνήστε με την τεχνική υποστήριξη.
Το όργανο χρειάζεται service.	Αστοχία της μονάδας.	Χρησιμοποιήστε τις μονάδες που λειτουργούν σωστά. Επικοινωνήστε με την τεχνική υποστήριξη για επισκευή της ελαττωματικής μονάδας.
Δεν βρέθηκε δείγμα.	<ul style="list-style-type: none"> • Ο υποδοχέας δείγματος δεν είναι γεμάτος έως τη γραμμή πλήρωσης. • Η αγωγιμότητα του δείγματος είναι μικρότερη από 2 $\mu\text{S}/\text{cm}$. 	<ul style="list-style-type: none"> • Βεβαιωθείτε ότι ο υποδοχέας δείγματος είναι γεμάτος έως τη γραμμή πλήρωσης. • Βεβαιωθείτε ότι η αγωγιμότητα του δείγματος είναι μεγαλύτερη από 2 $\mu\text{S}/\text{cm}$. • Καθαρίστε τον ανιχνευτή δείγματος. Ανατρέξτε στην Εικόνα 11 στη σελίδα 453. • Αν το πρόβλημα παραμένει, επικοινωνήστε με την τεχνική υποστήριξη.

11.1 Εκτέλεση διαγνωστικού ελέγχου

Το μενού διαγνωστικών ελέγχων εμφανίζει τις πληροφορίες σχετικά με τις τρέχουσες εκδόσεις του μετρητή και την επιλογή μορφοποίησης της κάρτας μνήμης.

1. Πατήστε **Κύριο μενού>Διαγνωστ.**
2. Ορίστε μια επιλογή.

Επιλογή	Περιγραφή
Χώρος στο δίσκο	Εμφανίζει το χώρο που υπάρχει διαθέσιμος στο δίσκο για τη μνήμη χρήστη και την εσωτερική μνήμη.
Εκδόσ. αρχ. διαμόρφ.	Εμφανίζει τις εκδόσεις διαμόρφωσης των ρυθμίσεων του μετρητή.

Επιλογή	Περιγραφή
Εκδόσεις μεθόδων	Εμφανίζει τις εκδόσεις μεθόδου του μετρητή.
Μορφοπ. μνήμης	<p>Διαγραφή όλων των δεδομένων του μετρητή.</p> <p>Σημείωση: Όλα τα δεδομένα του μετρητή (π.χ. διαμόρφωση μετρητή, ID τοποθεσιών, ID χειριστή, διαδρομές, σημειώσεις, υποδείγματα και άλλα) θα χαθούν μόλις ολοκληρωθεί η διαδικασία Μορφοπ. μνήμης.</p>

Ενότητα 12 Ανταλλακτικά και εξαρτήματα

▲ ΠΡΟΕΙΔΟΠΟΙΗΣΗ



Κίνδυνος τραυματισμού. Η χρήση μη εγκεκριμένων εξαρτημάτων ενδέχεται να προκαλέσει τραυματισμό, ζημιά στο όργανο ή δυσλειτουργία του εξοπλισμού. Τα ανταλλακτικά εξαρτήματα της παρούσας ενότητας είναι εγκεκριμένα από τον κατασκευαστή.

Σημείωση: Οι κωδικοί προϊόντος και οι αριθμοί καταλόγου μπορεί να διαφέρουν σε ορισμένες περιοχές πώλησης. Επικοινωνήστε με τον κατάλληλο διανομέα ή ανατρέξτε στη δικτυακή τοποθεσία της εταιρείας για τα στοιχεία επικοινωνίας.

Ανατρέξτε στην ενότητα Ανταλλακτικά και εξαρτήματα στην εκτεταμένη έκδοση του εγχειριδίου.

Sisukord

- | | |
|--|--|
| 1 Veebipõhine kasutusjuhend leheküljel 458 | 7 Tavatoimingud leheküljel 466 |
| 2 Tehnilised andmed leheküljel 458 | 8 Kalibreerimine leheküljel 470 |
| 3 Üldteave leheküljel 459 | 9 Andmelogi leheküljel 471 |
| 4 Paigaldamine leheküljel 461 | 10 Hooldus leheküljel 472 |
| 5 Kasutajaliides ja navigeerimine leheküljel 463 | 11 Veatsing leheküljel 475 |
| 6 Käivitamin leheküljel 465 | 12 Varuosad ja tarvikud leheküljel 476 |

Osa 1 Veebipõhine kasutusjuhend

Põhiline kasutusjuhend sisaldab vähem teavet kui tootja veebilehel saadaolev kasutusjuhend.

Osa 2 Tehnilised andmed

Tehnilisi andmeid võidakse ette teatamata muuta.

Tehniline näitaja	Üksikasjad
Mõõtmed (L x S x K)	13,08 x 5,89 x 25,83 cm (5,15 x 2,32 x 10,17 tolli)
Korpuse standard	IP64, kui mõõturi sondi ühendusliitmiku korgid on kinnitatud või sondid on seadmega ühendatud
Kaal	1,2 kg (2,7 naela)
Toitenõuded (sisemine)	Laetav liitiumioonaku, 7.4V, 5.0Ah (5000mAh)
Toitenõuded (väline)	100–240 V (vahelduvvool), 50/60 Hz sisend, 12 V 3 A väljundi korral
Töötemperatuur (tühjendamine)	5 kuni 50 °C (41 kuni 122 °F), suhteline õhuniiskus kuni 85%, mittekondenseeruv
Laadimistemperatuur	5 kuni 45 °C (41 kuni 113 °F), suhteline õhuniiskus kuni 85%, mittekondenseeruv
Säilitustemperatuur	–20 kuni 60 °C (–4 kuni 140 °F), suhteline õhuniiskus kuni 85%, mittekondenseeruv
Liides	Mini-USB-port
5 kontaktiga sisendühendus	Kaks M12-ühendusliitmikku IntelliCal-i sondide jaoks
Välise toiteallika ühendusliides	2,5 mm pesa
Chemkey pesad	4
Andmemälu	1000 mõõdetud väärtust (tulemus, kuupäev, kellaaeg, koha ID, kasutaja ID)
Andmete salvestamine	Automaatne mõõtmisrežiimis Lugemiseks vajutage. Kätsiti mõõtmisrežiimis Pidev
Temperatuuri korrigeerimine (IntelliCal™-i sondide jaoks)	Väljas, automaatne ja kätsiti (sõltuvalt parameetrist)
Mõõtekuvade lukustus (IntelliCal™-i sondide jaoks)	Mõõtmisrežiimid Lugemiseks vajutage ja Pidev
Kaitseklass	III
Sertifikaadid	CE, UKCA, FCC, ISED, RCM, KC
Garantii	1 aasta

Osa 3 Üldteave

Tootja ei vastuta mingil juhul toote väärkasutusest või juhendis olevate juhiste eiramisest tulenevate kahjustuste eest. Tootja jätab endale õiguse igal ajal teha käesolevas kasutusjuhendis ja tootes muudatusi, ilma neist teatamata või kohustusi võtmata. Uuendatud väljaanded on kättesaadavad tootja veebilehel.

3.1 Ohutusteave

Tootja ei vastuta mis tahes kahjude eest, mida põhjustab toote vale kasutamine, sealhulgas (kuid mitte ainult) otsesed, juhuslikud ja tegevuse tulemusest tingitud kahjud, ning ütleb sellistest kahjunõuetest lahti kohaldatava seadusega lubatud täielikul määral. Kasutaja vastutab ainuisikuliselt oluliste kasutusohutude tuvastamise ja sobivate kaitsemeetodite rakendamise eest protsesside kaitsmiseks seadme võimaliku rikke puhul.

Palun lugege enne lahtipakkimist, häälestamist või kasutamist läbi kogu käesolev juhend. Järgige kõiki ohutus- ja ettevaatusjuhiseid. Vastasel juhul võib kasutaja saada raskeid kehavigastusi või võib seade vigastada saada.



Tagage, et seadmega tarnitud ohutusseadised ei ole vigastatud. Ärge kasutage või paigaldage seadet mingil muul viisil kui käesolevas kasutusjuhendis kirjeldatud.

3.1.1 Ohutusteabe kasutamine

▲ OHT
Näitab võimalikku või vahetult ohtlikku olukorda, mis selle eiramisel põhjustab surma või raskeid vigastusi.
▲ HOIATUS
Näitab võimalikku või vahetult ohtlikku olukorda, mis selle eiramisel võib põhjustada surma või raskeid vigastusi.
▲ ETTEVAATUST
Näitab võimalikku ohtlikku olukorda, mis selle eiramisel võib põhjustada kergeid või keskmisi vigastusi.
TEADE
Tähistab olukorda, mis selle eiramisel võib seadet kahjustada. Eriti tähtis teave.

3.1.2 Hoiatussildid

Lugege läbi kõik seadmele kinnitatud sildid ja märgised. Juhiste eiramise korral võite saada kehavigastusi või võib seade kahjustada saada. Mõõteriistal olevad sümbolid viitavad kasutusjuhendis esitatud ettevaatusabinõudele.

	See mõõteriistal olev sümbol viitab kasutusjuhendile ja/või ohutuseeskirjadele.
	Selle sümboliga tähistatud elektriseadmeid ei tohi käidelda Euroopa kodustes või avalikes jäätmekäitlussüsteemides. Tagastage vanad ja kasutuskoõlbmatud seadmed tasuta utiliseerimiseks tootjale.

3.1.3 Sertifikaadid

EN 55011/CISPR 11 Hoiatusteade

See toode kuulub klassi A. Kodukeskkonnas võib toode põhjustada raadiohäireid, mille korral kasutaja peab rakendama vastavaid abinõusid.

Kanada raadiohäireid põhjustavate seadmete määrus, ICES-003, klass A:

Tootja valduses on kinnitavad katseandmed.

See A-klassi digitaalseade vastab kõigile Kanada häireid põhjustavate seadmete määruse nõuetele.

Cet appareil numérique de classe A répond à toutes les exigences de la réglementation canadienne sur les équipements provoquant des interférences.

FCC 15. osa, klassi "A" piirangud

Tootja valduses on kinnitavad katseandmed. See seade vastab FCC eeskirjade 15. osale. Kasutamisele kehtivad järgmised tingimused:

1. Seade ei tohi põhjustada kahjulikke häireid.
2. Seade peab vastu võtma mistahes häired, sealhulgas häired, mis võivad põhjustada seadme töös tõrkeid.

Selle seadme muutused või täiendused, mis ei ole nõuetele vastavuse eest vastutava osapoole poolt heaks kiidetud, võivad tühistada kasutaja õiguse seadet kasutada. Seda seadet on testitud ning on leitud selle vastavus A-klassi digitaalsete seadmete piirangutele vastavalt FCC eeskirjade 15. osale. Need piirangud on loodud, et tagada mõistlik kaitse kahjulike häirete eest, kui seda seadet kasutatakse ärikeskkonnas. See seade toodab, kasutab ja võib kiirata raadiosageduslikku energiat ning kui seda ei paigaldata ja ei kasutata vastavalt kasutusjuhendile, võib see põhjustada raadioside häireid. Selle seadme kasutamine elamupiirkonnas põhjustab tõenäoliselt kahjulikke häireid. Sellisel juhul on kasutaja kohustatud häired omal kulul parandama. Häiretega seotud probleemide lahendamiseks võib kasutada järgmisi võtteid:

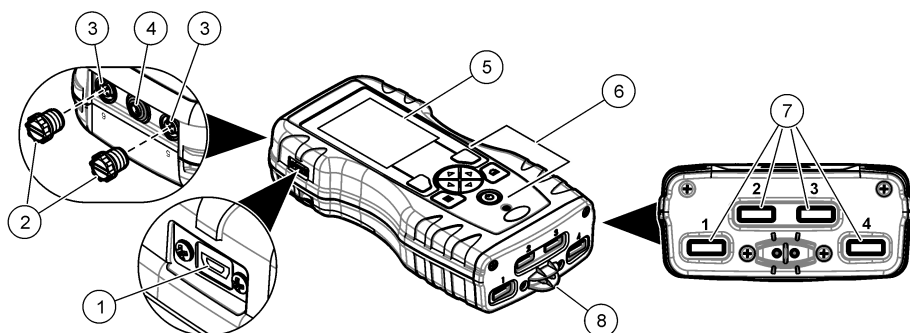
1. Lahutage seade toiteallikast, et kontrollida, kas seade on häirete põhjustajaks.
2. Kui seade on ühendatud samasse seinakontakti mõne muu häiritud seadmega, ühendage seade teise seinakontakti.
3. Liigutage seade teistest häiritud seadmetest eemale.
4. Paigutage häiritud seadme vastuvõtuantenn teise asendisse.
5. Proovige eelmiste võtete kombinatsioone.

3.2 Toote ülevaade

Kaasaskantava paralleelanalüsaatoriga SL1000 saab mõõta joogivees ja muudes puhta vee süsteemides korraga kuni kuut parameetrit. Mõõtur kasutab erinevate vees olevate parameetrite mõõtmiseks Chemkey®-sid ja digitaalseid IntelliCAL™-i sonde. Mõõtur tuvastab automaatselt sisestatud Chemkey tüübi ja mõõturiga ühendatud sondi tüübi.

Mõõturis saab mõõtmiseks kasutada kuni nelja Chemkeyd ja kuni kaht sondi. Vt [Joonis 1](#).

Joonis 1 Toote ülevaade



1 Mini-USB-port	5 Näidik
2 Sondi ühendusliitmike korgid	6 Klaviatuur
3 Sondi ühendusliitmikud	7 Chemkey pesad
4 Toitepesa	8 Proovidetektor

3.3 Toote osad

Veenduge, et olete kõik osad kätte saanud. Vt lisatud dokumentatsiooni. Kui mõned esemed puuduvad või on kahjustatud, siis pöörduge kohe tootja või müügiesindaja poole.

Osa 4 Paigaldamine

▲ HOIATUS



Erinevad ohud. Selles dokumendi osas kirjeldatud toiminguid tohivad teha vaid pädevad töötajad.

4.1 Lithium battery safety

▲ HOIATUS



Tulekahju ja plahvatusoht. Mittesihotstarbelisel kasutamisel võivad liitiumakud kuumeneda, plahvatada või süttida ja tekitada raskeid kehavigastusi.

- Ärge kasutage nähtavalt kahjustatud akusid.
- Ärge kasutage akut, kui see on tugevalt vibreerinud või saanud tugeva löögi.
- Ärge visake akut tulle.
- Hoidke akusid temperatuuril alla 60 °C.
- Hoidke akud kuivad ja veest eemal.
- Vältige aku pluss- ja miinus клеммide lühisesse ajamist.
- Ärge lubage kõrvalistel isikutel akusid puutada.
- Täitke aku kasutuselt kõrvaldamisel kohalikke, piirkondlikke ja riiklikke eeskirju.
- Ärge kasutage ega hoidke seadet otsese päikesekiirguse käes, kuumusallikate lähedal ega kõrge temperatuuriga keskkonnas, nt päikese käes olevas suletud sõidukis.

4.2 Aku paigaldamine

▲ HOIATUS



Tulekahju ja plahvatusoht. See seade sisaldab suure energiasaldusega liitiumpatareid, mis võib süttida ja põhjustada tulekahju või plahvatuse ka toiteta olekus. Seadme korpuse antava ohutuse säilitamiseks tuleb paigaldada seadme katted ja need kaasasolevate metallkinnitustega kinnitada.

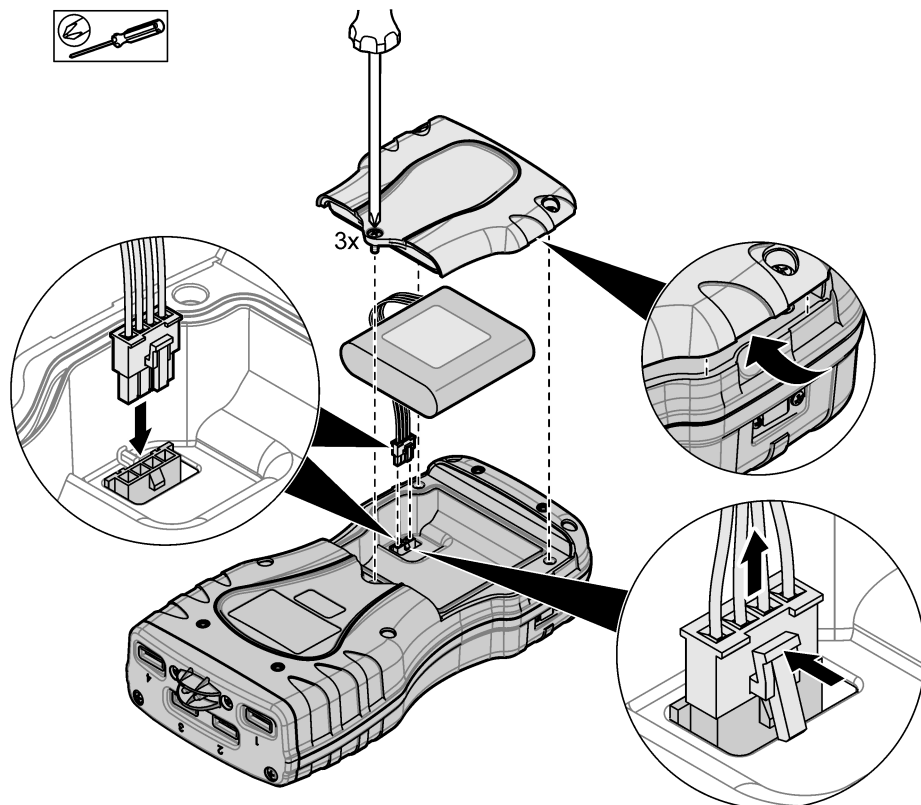
▲ HOIATUS



Plahvatus- ja tuleoht. Patareide asendus pole lubatud. Kasutage vaid seadme tootja tarnitud patareid.

Kasutage ainult tootja tarnitavat laetavat liitiumioonakut. Aku paigaldamise ja eemaldamise teavet vt [Joonis 2](#).

Joonis 2 Aku paigaldamine ja eemaldamine



4.3 Aku laadimine

▲ HOIATUS



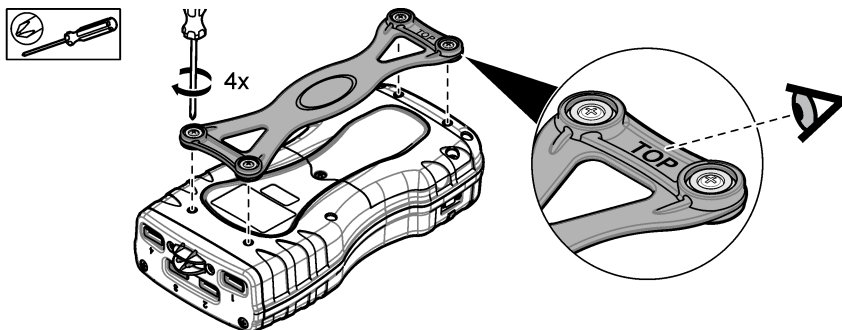
Tuleoht. Kasutage ainult selle seadme jaoks ette nähtud välist toiteallikat.

1. Ühendage väline toiteallikas vahelduvvooluallika pistikupessa.
2. Ühendage väline toiteallikas mõõturi toitepessa. Vt [Toote ülevaade](#) leheküljel 460.
 - Mõõteseadet saab aku laadimise ajal kasutada.
 - Väliste toiteallika asendamine pole lubatud. Kasutage ainult mõõteseadme osade ja tarvikute loendis määratletud välist toiteallikat. Vt [Varuosad ja tarvikud](#) leheküljel 476.
 - Ärge laadige akut kauem kui 24 tundi.

4.4 Käsirihma paigaldamine

Mõõturi ohutuks hoidmiseks paigaldage käsirihm Vt [Joonis 3](#).

Joonis 3 Käsirihma paigaldamine

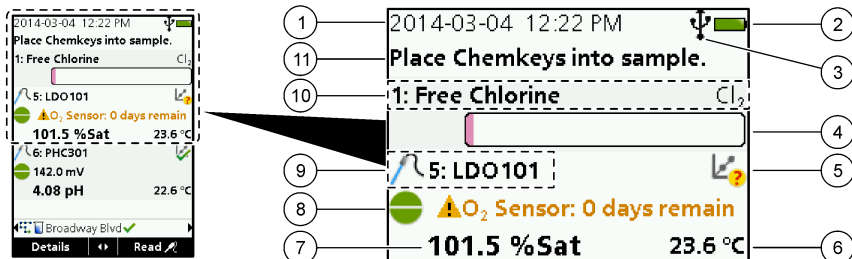


Osa 5 Kasutajaliides ja navigeerimine

5.1 Kuva kirjeldus

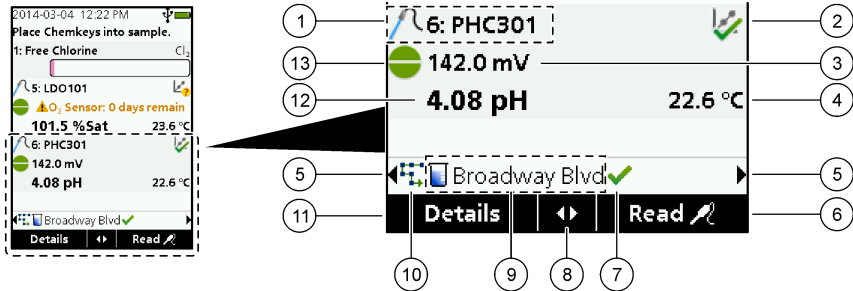
Mõõtekava kirjeldust vt [Joonis 4](#) ja [Joonis 5](#).

Joonis 4 Mõõtekava (ülaosa)



1 Kuupäev ja kellaaeg	7 Primaarne mõõteväärtus (kasutaja valitud parameeter)
2 Aku olek	8 Stabiilsusikoon koos hoiatusikooni ja hoiatusteatega
3 Aktiivse USB-ühenduse (COM-port) ikoon, kui valitud on sideklass	9 Sondi ikoon, pordi number, parameetri või sondi nimi
4 Edenemisriba (poolleliolev mõõtmine)	10 Pesa number, parameetri nimi ja keemilise elemendi tähis
5 Kalibreerimisoleku ikoon (kalibreerimine pole õige)	11 Eriti olulised teated seadmete kohta (millele järgneb tõrke- ja hoiatusteade)
6 Sekundaarne mõõtmine (kasutaja valitud parameeter)	

Joonis 5 Mõõtekuvaga (allosa)

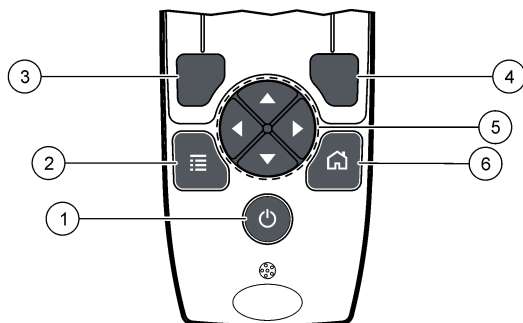


1 Sondi ikoon, pordi number, parameetri või sondi nimi	8 Aktiivsed noolenupud
2 Kalibreerimisoleku ikoon (kalibreerimine on õige)	9 Koha ID ikoon ja koha nimi
3 Sekundaarne mõõteväärtus (kasutaja valitud parameeter)	10 Marsruutide ikoon (kuvatud siis, kui marsruudid on sisse lülitatud)
4 Tertsiaarne mõõteväärtus (kasutaja valitud parameeter)	11 Valikud (kontekstipõhine: Üksikasjad, Välju, Loobu, Vali, Tühista valik)
5 Pare- ja vasaknool asjakohase koha-ID valimiseks	12 Primaarne mõõteväärtus (kasutaja valitud)
6 Valikud (kontekstipõhine: Loe, Vali, OK, Kustuta)	13 Stabiilsusikoon
7 Märge: mõõtmine on mõõtmiskohas lõpule viidud	

5.2 Klahvistiku kirjeldus

Teavet klahvistiku kirjelduse ja navigeerimise kohta vt [Joonis 6](#).

Joonis 6 Klahvistiku kirjeldus



1 Klahv TOIDE	4 PAREM valikuklahv (kontekstipõhine): proovide lugemine, kustutamine, valikute tegemine või kinnitamine, alammenüüde avamine
2 Klahv PÕHIMENÜÜ: kontrollimine, kalibreerimine, marsruudid, sätted, andmelogi, teave, diagnostika, operaatori ID ja koha ID	5 Navigeerimisklahvi ÜLES, ALLA, PAREMALE ja VASAKULE ¹ : menüüdes liikumine, numbrite ja tähtede sisestamine
3 VASAK valikuklahv (kontekstipõhine): üksikasjad, valimine / valiku tühistamine, kuvatud menüükuva tühistamine (või sellest väljumine) ja eelmisele naasmine	6 AVAKUVA: mõõtmise põhikuvale liikumine

Osa 6 Käivitamine

6.1 Toite sisselülitamine

Mõõtri sisse- või väljalülitamiseks vajutage klahvi **TOIDE**. Kui mõõtur ei lülitu sisse, veenduge, et aku on õigesti paigaldatud.

6.2 Keele muutmise

Valige kuvakeel mõõtri esmakordsel sisselülitamisel. Muutke keelt menüüs **Sätted**.

1. Valige **Sätted>Keel**.
2. Valige soovitud keel.

6.3 Kuupäeva ja kellaaja muutmise

Kuupäeva, kellaaja ja vormingu muutmiseks on kaks võimalust.

- Valige kuupäev ja kellaeg seadme esmakordsel sisselülitamisel.
- Valige kuupäev ja kellaeg menüüs Kuupäev ja kellaeg.

1. Valige **Sätted>Mõõtur>Kuupäev ja kellaeg**.
2. Valige noolenuppude abi kuupäeva ja kellaaja vorming ning sisestage õige kellaaja- ja kuupäevateave.
Näidikul ja logitud mõõtmisandmetes kuvatakse praegune kuupäev ja kellaeg.

¹ ÜLES, ALLA: mõõtmistes liikumine, kui mõõtmisi on rohkem kui neli, PAREMALE, VASAKULE: operaatori ja proovi ID-des liikumine

Osa 7 Tavatoimingud

7.1 Operaatori ID kasutamine

Operaatori ID silt seostab mõõtmised konkreetse operaatoriga. Kõik salvestatavad andmed sisaldavad ka operaatori ID-d.

Operaatori ID-de hõlpsaks haldamiseks kasutage veebirakendust „tool.htm”. Lisateavet leiate tootja veebisaidilt.

1. Valige **Põhimenüü>Operaatori ID**.
2. Tehke valik.

Suvand	Kirjeldus
Režiim	Seadke operaatori ID funktsioon olekusse „sees” või „väljas” (vaikeväärtus).
Vali	Valige loendist ID. Praegust ID-d seostatakse proovi andmetega, kuni valitakse teine ID. Valige avakuval noole ÜLES ja ALLA abil operaatori ID. Operaatori ID-d saab mõõtekuval valida enne, kui Chemkey on pessa sisestatud või sond on ühendatud.
Loo	Saate sisestada uue operaatori-ID.
Kustuta	Saate olemasoleva operaatori-ID kustutada.

7.2 Koha ID kasutamine

Kui soovite mõõtetulemused seostada konkreetse proovi või kohaga, valige koha ID silt. Kui see on määratud, sisaldavad salvestatavad andmed ka seda ID-d.

Koha ID-de hõlpsaks haldamiseks kasutage veebirakendust „tool.htm”. Lisateavet leiate tootja veebisaidilt.

1. Valige **Põhimenüü>Koha ID**.
2. Tehke valik.

Valik	Kirjeldus
Režiim	Seadke koha ID funktsioon olekusse „käsitsi”, „automaatne”, „väljas” või „marsruudid”. Käsitsi – saate koha ID valida käsitsi. Automaatne – iga mõõtmise korral nummerdatakse proovid järjest, kuni valitakse mõni muu ID. Väljas – koha ID funktsioon seatakse olekusse „väljas” (vaikeväärtus). Marsruudid – kuvab koha ID-de täieliku loendi järjestatud alamkogumi.
Vali	Valige loendist ID. Praegune ID seostatakse proovi andmetega, kuni valitakse mõni muu ID. Seadke sätte Koha ID>Kuva väärtuseks Jah. Valige mõõtekuval noolte PAREMALE või VASAKULE abil praegune koha ID. Veenduge, et sätte Koha ID>Kuva väärtuseks on seatud Jah ja vähemalt üks Chemkey on pesas või üks sond on ühendatud.
Loo	Saate lisada uue koha ID.
Kustuta	Saate olemasolevad koha ID-d kustutada. Märkus. Veenduge, et valite koha ID kustutamiseks režiimi Käsitsi .
Kuva	Kuvab koha ID mõõtekuval. Lülitage see sisse või välja.
Marsruudid	Kuvab koha ID-de järjestatud loendi. Kui valitud on marsruut, kuvatakse mõõtekuval automaatselt koha ID-d ja need salvestatakse. Järgmise asukoha valimiseks vajutage noolt PAREMALE . Kasutage marsruutide seadistamiseks veebirakendust „tool.htm”. Lisateavet leiate tootja veebisaidilt.
Märkmed	Saate salvestada eriteavet ja lisada selle sündmuselogisse.

7.3 Chemkey abil mõõtmine

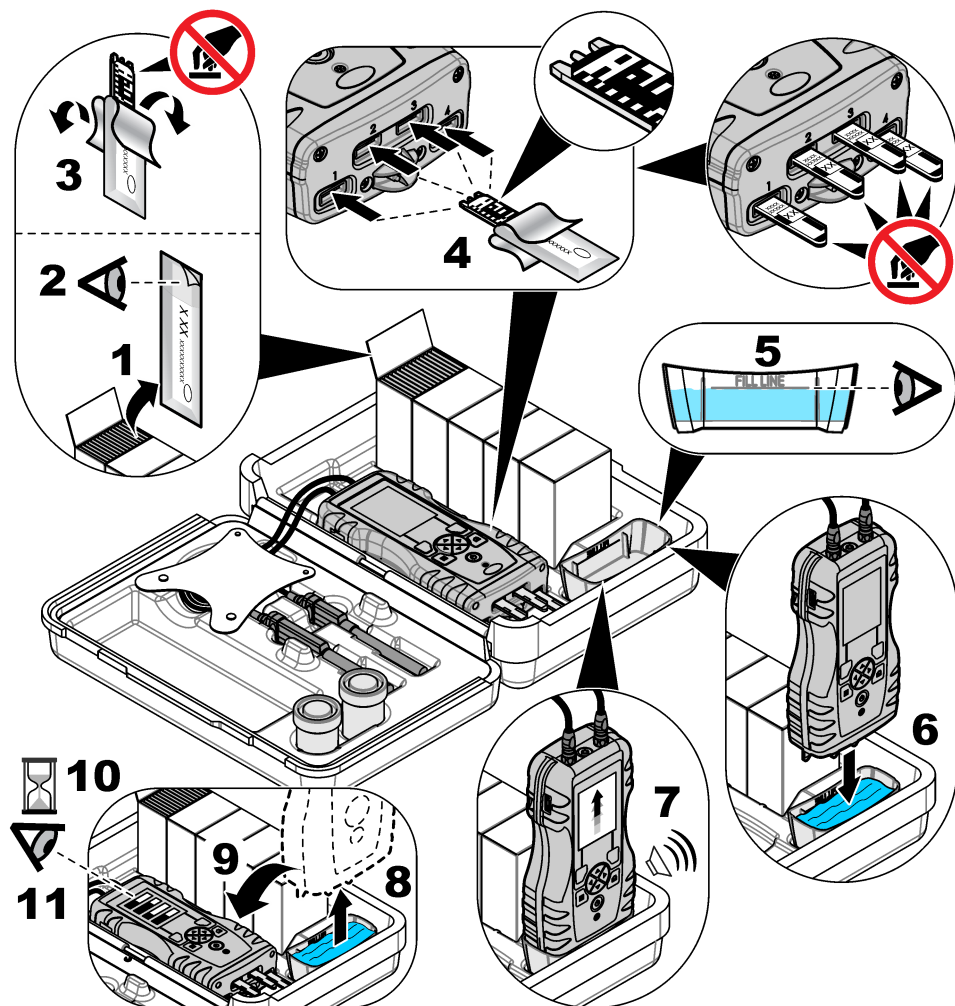
TEADE

Ärge alustage Chemkey abil uut mõõtmist enne, kui muud mõõtmised Chemkey abil on lõpule jõudnud. Chemkey abil mõõtmiseks asetage mõõtur proovi ainult ühe korra.

Chemkeyde abil mõõtmiseks järgige järgmist protseduuri. Vt [Joonis 7](#). Sondide abil saab korraga teha mitu mõõtmist. Vt [Proovi mõõtmine sondi abil](#) leheküljel 469.

1. Lülitage mõõturi toide sisse.
2. Täieliku jälgitavuse tagamiseks sisestage enne mõõtmist koha ID ja operaatori ID. Vt [Operaatori ID kasutamine](#) leheküljel 466 ja [Koha ID kasutamine](#) leheküljel 466.
3. Lükake asjakohased Chemkeyd ühe liigutusega lõpuni pesadesse 1–4. Veenduge, et kasutate igal mõõtmisel alati uut Chemkeyd. Chemkey tuleb kindlasti lükata lõpuni pessa. Kui Chemkey on pesas, ärge Chemkeyd liigutage ega puudutage.²
4. Loputage proovinõud proovivedelikuga.
5. Täitke mõõturi proovinõu mõõtejooneni.
6. Asetage mõõtur proovinõusse.
7. Oodake helimärguannet ja/või mõõturi eemaldamise tähist (1–2 sekundi jooksul) ja siis eemaldage mõõtur kohe proovinõust. Asetage mõõtur tagasi ümbrisesse ja oodake, kuni mõõtmine jõuab lõpule. Parameetritel on erinevad reaktsiooniajad. Näidikul kuvatakse edenemisriba ja mõõtmise lõpulejõudmiseni jäänud aeg.
8. Näidikul kuvatakse mõõteväärtused.
Märkus. Tõrke korral vajutage lisateabe saamiseks nuppu **Üksikasjad**.

² Vaba ammoniaagi mõõtmistulemuse saamiseks on vaja nii monokloramiini Chemkeyd kui ka vaba ammoniaagi Chemkeyd.



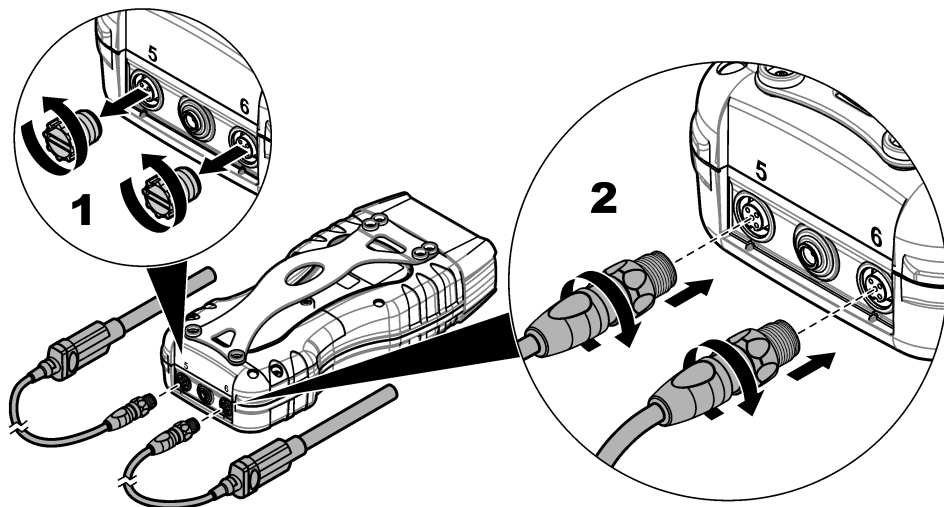
7.4 Sondi ühendamine

TEADE

Ärge visake sondi ühendusliitmike kõrge minema. Kui sondi pole ühendatud, siis veenduge, et sondi ühendusliitmike korgid oleksid kinnitatud.

Veenduge, et näidikul oleks kuvatud õige kuupäev ja kellaaeg ning ühendage sond mõõturiga. Vt [Joonis 8](#).

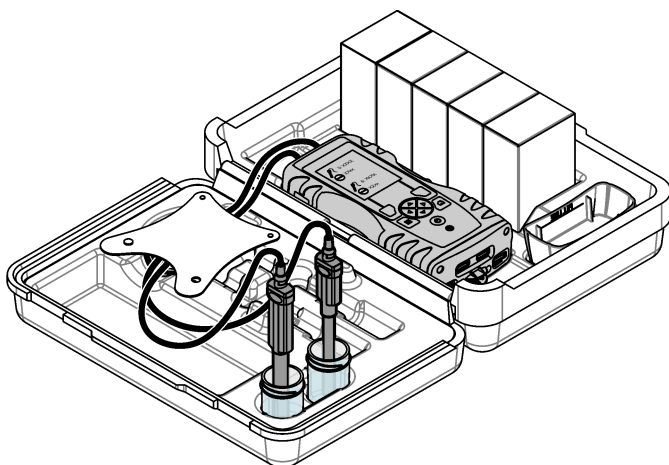
Märkus. Sondi ajatempel määratakse sondi esmakordsel mõõtuuri külge ühendamisel. See ajatempel võimaldab salvestada sondi ajalugu ja mõõtmiste toimumise aega.



7.5 Proovi mõõtmine sondi abil

Sondide abil mõõtmiseks järgige järgmist protseduuri. Vt [Joonis 9](#). Chemkeyde abil saab korraga teha mitu mõõtmist. Vt [Chemkey abil mõõtmine](#) leheküljel 466.

1. Kalibreerige sondid enne esmakordset kasutamist. Vt [Sondi kalibreerimine](#) leheküljel 470.
Märkus. Pärima täpsuse saavutamiseks kalibreerige sonde iga päev.
2. Enne sondi ühendamist määrake mõõturis kuupäev ja kellaaeg. Vt [Kuupäeva ja kellaaja muutmine](#) leheküljel 465.
Sondil peab olema õige kasutusajaga ajatempel.
3. Täieliku jälgitavuse tagamiseks sisestage enne mõõtmist koha ID ja operaatori ID. Vt [Operaatori ID kasutamine](#) leheküljel 466 ja [Koha ID kasutamine](#) leheküljel 466.
4. Eemaldage sondi ühendusliitmike korgid ja ühendage sondid. Sondi ühendamise teavet vt [Joonis 8](#) leheküljel 469.
Märkus. Ärge visake sondi ühendusliitmike kõrge minema. Kui sonde pole ühendatud, kinnitage sondide ühendusliitmike korgid uuesti.
5. Loputage proovikolbe proovivedelikuga.
6. Täitke proovikolb proovivedelikuga, nii et andur on täielikult proovivedelikus.
7. Asetage sondid proovikolbidesse ja kui mõõtmisrežiimiks on seatud **Lugemiseks vajutage**, valige **Loe**. Lisateavet leiate sondi dokumentatsioonist.
8. Näidikul kuvatakse mõõteväärtused.




Osa 8 Kalibreerimine

⚠ ETTEVAATUST



Kemikaalidega kokkupuute oht. Järgige labori ohutusprotseduure ja kasutage käideldavatele kemikaalidele vastavat kaitsevarustust. Ohutuseeskirjad leiata käesolevatelt ohutuskaartidelt (MSDS/SDS).

8.1 Sondi kalibreerimine

Iga sond kasutab erinevat tüüpi kalibreerimislahust. Maksimaalse täpsuse säilitamiseks kalibreerige sonde sageli. Mõõturis kuvatakse kalibreerimise olek. Kui sond pole õigesti kalibreeritud, kuvatakse kalibreerimisikoonil küsimärk  seni, kuni sond kalibreeritakse õigesti. Kui sond on õigesti kalibreeritud, kuvatakse kalibreerimisikoonil roheline märg. Üksikasjalike juhiste saamiseks lugege sondidega kaasas olevaid dokumente. Lisateavet leiata tootja veebisaidilt.

1. Ühendage sond.
2. Valige kalibreerimise alustamiseks **Põhimenüü>Kalibreeri**.
3. Kui mõõteseadmega on ühendatud mitu sondi, valige asjakohane sond.
Märkus. Kui ühendatud on ainult üks sond, siis seda juhust ei kuvata.
4. Täitke sondi kalibreerimiseks näidikul kuvatavad juhised.
Märkus. ISE-sondi korral vajutage **PAREMNOOLT**, et kuvada vastavalt vajadusele järgmine kalibreerimistase. Mõõtketase alates väikesest kontsentratsioonist kuni suure kontsentratsioonini.
5. Vajadusel tehke kontrollimistoiming. Vt **Sondi kontrollimine** leheküljel 471.

8.2 Tehaseseadistus

Tootja soovib süsteemi plaanipärase töö tagamiseks teha kord aastas täielik tehaseseadistus. Pöörduge teie asukohta teenindava Hach'i hoolduskeskuse poole.

8.3 Mõõturi kalibreerimine konkreetse Chemkey parameetri jaoks

Iga Chemkey kasutab erinevat kalibreerimisest. Lisateavet leiate tootja veebisaidilt.

1. Lükake asjakohased Chemkeyd aeglaselt ühe liigutusega pesadesse 1–4.
2. Valige kalibreerimise alustamiseks **Põhimenüü>Kalibreeri**.
3. Valige asjakohane Chemkey.
4. Sisestage asjakohane etaloni korrigeerimise väärtus.
5. Täitke Chemkey kalibreerimiseks näidikul kuvatavad juhised.
6. Vajadusel tehke kontrollimistoiming. Vt [Chemkey kontrollimine](#) leheküljel 471.

8.4 Sondi kontrollimine

1. Valige kontrollimise alustamiseks **Põhimenüü>Kontrollimine**.
2. Valige asjakohane seade.
3. Täitke kontrollimiseks näidikul kuvatavad juhised.

Märkus. Kontrollimiseks kasutatava taseme muutmiseks vajutage **Põhimenüü>Seaded>Sond>[Valige sond]>Kontrollimisvalikud>Tase**.

8.5 Chemkey kontrollimine

Chemkey kontrollimiseks on kaks võimalust. Kasutage kontrollimiseks parameetrikohast Chemkeyd või süsteemikontrolli Chemkeyd. Vt [Varuosad ja tarvikud](#) leheküljel 476.

• Parameetrikohane Chemkey

1. Lükake parameetrikohased Chemkeyd aeglaselt ühe liigutusega pesadesse 1–4.
2. Seejärel valige kontrollimise alustamiseks **Põhimenüü>Kontrollimine**.
3. Täitke menüüjuhitav toiming.

• Süsteemikontrolli Chemkey

1. Valige kontrollimise alustamiseks **Põhimenüü>Kontrollimine**.
2. Seejärel lükake süsteemikontrolli Chemkey aeglaselt ühe liigutusega esimesse pessa.
3. Täitke menüüjuhitav toiming.

Osa 9 Andmelogi

Andmelogis kuvatakse kõik salvestatud mõõteandmed.

1. Valige **Põhimenüü>Andmelogi**.
2. Tehke valik.

Valik	Kirjeldus
Kõik logid kuupäeva järgi	Kuvab proovide mõõtetulemused: sondi nimi, sondi seerianumber, väärtus, ühik, temperatuur, kuupäev, kellaaeg, märkmed, operaatori ID, koha ID ja kalibreerimise üksikasjad. Kval kuvatakse viimane mõõtmine. Eelmiste mõõtmiste kuvamiseks vajutage VASAKULE noolt.
Sondi praegune kal.	Kuvab kõige viimase kalibreerimise üksikasjad. Kui kasutaja pole sondi kalibreerinud, siis kuvatakse kalibreeringu tehaseandmeid.
Sondi kal. ajalugu	Kuvab sondi kalibreerimise ajad. Valige kuupäev ja kellaaeg, et näha kalibreerimisandmete kokkuvõtet.
Kustuta andmelogi	Kustutab korraga kõik mõõturis olevad andmed. Seadme andmed säilitatakse.

9.1 Andmete importimine Excelisse

▲ HOIATUS



Elektrilöögioht. Mõõtesüsteemis välisseadmed peavad olema läbinud riikliku ohutusstandardi hindamise.

Mõõtur talletab andmelogi XML-vormingus. Exceli arvutustabelis saate talletada koha ID, järjekorra, kuupäeva ja kellaja, parameetri, mõõdetud väärtuse, ühikud, operaatori ID, pesa numbr, Chemkey partii koodi ja mõõturi seerianumbri.

1. Lülitage mõõturi toide sisse.
2. Ühendage mõõtur USB-kaabli abil arvutiga. Mõõtur kuvatakse arvutis kettana Hach Portable Parallel Analysis.
3. Avage kettal kaust DataTemplate.
4. Avage fail LogTemplate.xltx.
5. Paremklõpsake lahtrit A2 ja valige XML>Impordi.
6. Valige ketta Hach Portable Parallel Analysis kaustas Andmed kõik logifailid.
7. Klõpsake nuppu **Impordi**.
Andmelogi kuvatakse Exceli arvutustabelis.
8. Salvestage fail arvutisse või vajadusel USB-mäluseadmele.
9. Eemaldage mõõtur ohutult arvutist. Klõpsake tegumiribal rohelise noolega ikooni Riistvara ohutu eemaldamine ja kandja väljutamine.
Märkus. Mõned ikoonid asuvad tegumiriba jaotises Kuva peidetud ikoonid.
10. Lahutage USB-kaabel mõõturist.

9.2 Andmete vaatamine veebibrauseris

Andmelogi kuvamiseks veebibrauseris tehke järgmist. Valitud veebibrauseris kuvatakse koha ID, järjekord, kuupäev ja kellaeg, parameeter, mõõdetud väärtus, ühikud, operaatori ID, pesa number, Chemkey partii kood ja mõõturi seerianumber.

1. Lülitage mõõturi toide sisse.
2. Ühendage mõõtur USB-kaabli abil arvutiga. Mõõtur kuvatakse arvutis kettana Hach Portable Parallel Analysis.
3. Avage kettal kaust Andmed.
4. Avage andmelogi fail.
 - Avage mis tahes brauseris LogNN.XML (NN = arvud 0–9).
 - Klõpsake veebibrauseris **Fail>Ava menüü** ja liikuge sirvides kaustani Andmed.
5. Salvestage fail arvutisse või vajadusel USB-mäluseadmele.
6. Eemaldage mõõtur ohutult arvutist. Klõpsake tegumiribal rohelise noolega ikooni Riistvara ohutu eemaldamine ja kandja väljutamine.
Märkus. Mõned ikoonid asuvad tegumiriba jaotises Kuva peidetud ikoonid.
7. Lahutage USB-kaabel mõõturist.

Osa 10 Hooldus

▲ HOIATUS



Erinevad ohud. Selles dokumendi osas kirjeldatud toiminguid tohivad teha vaid pädevad töötajad.

⚠ ETTEVAATUST



Kemikaalidega kokkupuute oht. Järgige labori ohutusprotseduure ja kasutage käideldavatele kemikaalidele vastavat kaitsevarustust. Ohutuseeskirjad leiata käesolevatelt ohutuskaartidelt (MSDS/SDS).

⚠ ETTEVAATUST



Kemikaalidega kokkupuute oht. Järgige kemikaalide ja jäätmete kõrvaldamisel kohalikke, piirkondlikke ja riiklikke õigusakte.

10.1 Mahavoolanud aine kõrvaldamine

⚠ ETTEVAATUST



Kemikaalidega kokkupuute oht. Järgige kemikaalide ja jäätmete kõrvaldamisel kohalikke, piirkondlikke ja riiklikke õigusakte.

1. Järgige kõiki asutusesiseseid ohutusnõudeid, mis puudutavad mahavoolanud aineid ja lekkeid.
2. Kõik jäätmed tuleb kasutusest kõrvaldada vastavalt kehtivatele seadustele.

10.2 Seadme puhastamine

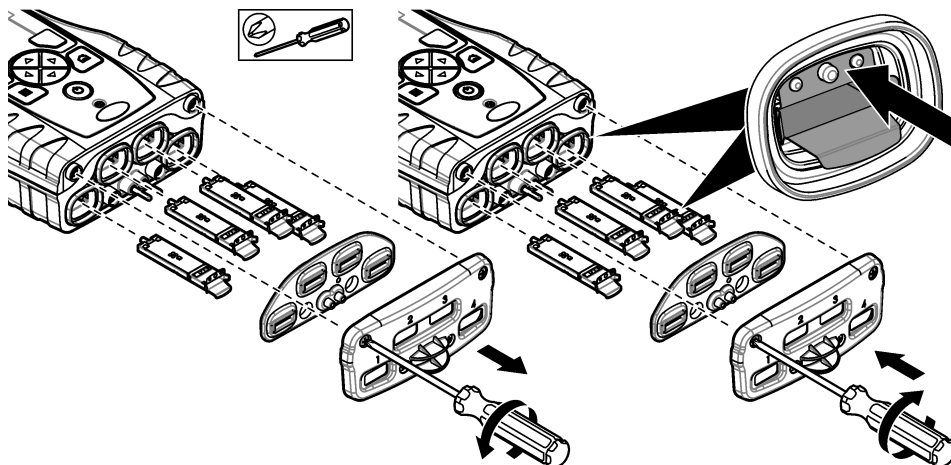
Puhastage seadme pind niiske lapi ja lahja seebilahusega, seejärel kasutage vajaduse korral kuivatamiseks lappi.

10.3 Osade puhastamine ja väljavahetamine

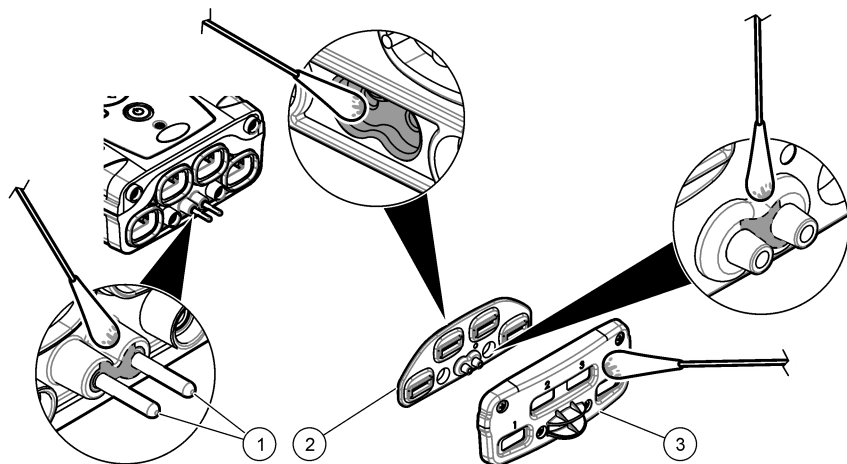
Teatud tõrgete ja hoiatuste korral tuleb Chemkey pesasid, optilisi aknaid, vöötcodeiakent või proovidetektorit puhastada või salved välja vahetada. Kasutage osade puhastamiseks isopropüülalkoholi. Kasutage valgustõkke puhastamiseks vett ja lahjat puhastusainet. Pöörake vatitikk kindlasti ainult ühes suunas. Teavet optikaseadise kaane, valgustõkke ja salvede eemaldamise kohta vt [Joonis 10](#). Üksikasjalikke puhastamisjuhiseid vt [Joonis 11](#) ja [Joonis 12](#).

Vajalikud esemed: vatitikk, isopropüülalkohol, vesi ja lahja puhastusaine

Joonis 10 Osade eemaldamine ja kokkupanek

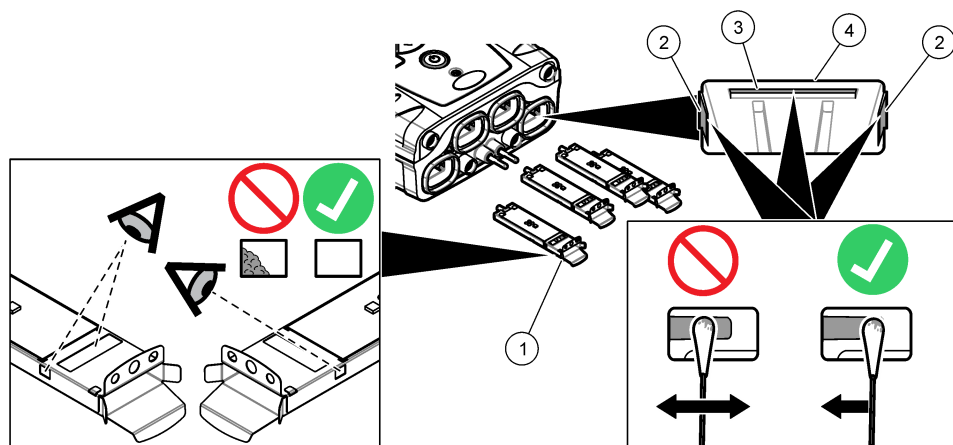


Joonis 11 Proovidetektori, valgustõkke ja optikaseadise kaane puhastamine



1 Proovidetektor	3 Optikaseadise kaas
2 Valgustõkke	

Joonis 12 Salvete ja Chemkey pesade puhastamine



1 Salv	3 Võõtkoodiaken
2 Optiline aken	4 Chemkey pesa

10.4 Aku laadimine ja väljavahetamine

Kui aku laetuse tase on madal, laadige akut. Kui aku saab kiiresti tühjaks, vahetage aku välja. Kasutage ainult tootja pakutatavat akut. Vt [Aku paigaldamine](#) leheküljel 461 ja [Varuosad ja tarvikud](#) leheküljel 476.

10.5 Transportimiseks ettevalmistamine

TEADE

Võimalik seadme kahjustamise oht. Enne transportimist kallake kogu vesi seadmest välja, et vältida selle kahjustumist miinuskraadide korral.

Enne tootjale transportimist pöörduge juhiste saamiseks tehnilise toe poole.

- Puhastage ja desinfitseerige seade enne transportimist.
- Transportige seadet nii, et aku on mõõturisse paigaldatud, kuid veenduge, et aku poleks liitmikuga ühendatud.
- Enne transportimist lahutage sondid ja eemaldage Chemkeyd.
- Transportige seadet originaalpakendis või mõnes muus ohutus pakendis.

Osa 11 Veatsing

Tõrge/hoiatus	Võimalik põhjus	Lahendus
Võõtkoodi lugemise tõrge Sisestage Chemkey(d) uuesti	Chemkey ei tööta õigesti. Chemkey pole õigesti sisestatud.	<ul style="list-style-type: none"> • Asetage Chemkey uuesti pessa. • Kasutage uut Chemkeyd. • Puhastage võõtkoodiaken. Vt Joonis 12 leheküljel 474. • Kui probleem ei lahene, pöörduge tehnilise toe poole.
Proovi aspireerimise tõrge.	Chemkey ei tööta õigesti. Chemkey pole lõpuni pessa lükatud.	Kasutage uut Chemkeyd ja veenduge, et Chemkey on lõpuni pessa lükatud. Kui probleem ei lahene, pöörduge tehnilise toe poole.
Chemkey lekkis. Proovi mõnda muud		
Chemkey on aegunud	Chemkey aegumiskuupäev on möödunud.	
Mõõtmisviga (1–4)	Määratud pesas ilmnes mõõtmisviga.	
Parameetrit ei toetata	Installitud seadme tarkvaras pole parameeter saadaval.	Täiendage seadme tarkvara. Otsige veebilehel www.hach.com tähist „SL1000“. Minge jaotisesse Downloads>Software/Firmware (Allalaadimised>Tarkvara/püsivara) ja järgige veebilehel kuvatud suuniseid.
Kasutatud Chemkey – vahetage välja	Chemkeyd on juba kasutatud või pesas on vett.	Kasutage uut Chemkeyd. Kui probleem ei lahene, kuivatage pesa ja seade ning proovige uuesti. Kui probleem ei lahene, pöörduge tehnilise toe poole.
Salv lekkis. Vahetage salv välja.	Mõõdetud salvega ilmnes probleem.	Vahetage salv välja. Vt Joonis 10 leheküljel 473. Kui probleem ei lahene, pöörduge tehnilise toe poole.
Kuumuti tõrge Vahetage salv välja	Salv ei tööta õigesti.	
Eemaldage proovist.	Mõõtur asetati proovi enne, kui mõõtur oli valmis.	
Proov eemaldati liiga vara		Asetage pessa mõni muu Chemkey. Oodake, kuni mõõtur on proovi asetamiseks valmis.
Liiga kaua proovis	Chemkeyd jäeti liiga kauaks proovi. Ilmnes mõõtmistõrge.	Eemaldage Chemkeyd kohe, kui kuvatakse vastav teade.
	Kui hoiatus kuvati siis, kui mõõtur polnud proovi asetatud, on proovidetektori kontaktiala määrdunud.	Puhastage proovidetektori kontaktiala. Vt Osade puhastamine ja väljavahetamine leheküljel 473. Kui probleem ei lahene, pöörduge tehnilise toe poole.

Tõrge/hoiatus	Võimalik põhjus	Lahendus
Vahemikust ülalpool	Kontsentratsioon ületab kasutatava meetodi ülemist piirväärtust.	Lahjendage proovi ja tehke mõõtmine uuesti.
Vahemikust allpool	Kontsentratsioon on allpool kasutatava meetodi alumist piirväärtust.	—
Salv on liiga külml.	Mõõtur võib olla kuumutamiseks liiga külml või kuumuti ei tööta.	Viige mõõtur kõrgema temperatuuriga keskkonda ja mõõtke uuesti. Vahetage salv välja.
Salv on liiga kuum.	Mõõtur on nõuetekohaseks mõõtmiseks liiga kuum.	Jahutage mõõturit või viige mõõtur kõrge temperatuuriga keskkonnast ära.
Liiga palju valgust. Sisestage Chemkey hämaramas keskkonnas	Ümbrisev keskkond on vöötkoodi lugemiseks liiga valge.	Viige mõõtur hämaramasse keskkonda ja asetage Chemkey uuesti pesa.
Hämar valgus. Puhastage Chemkey pesa.	Chemkey ei tööta õigesti. Chemkey pole õigesti sisestatud.	<ul style="list-style-type: none"> Lükake Chemkey ühe liigutusega pesa. Kasutage uut Chemkeyd. Puhastage Chemkey pesa. Vt Joonis 12 leheküljel 474. Kui probleem ei lahene, pöörduge tehnilise toe poole.
Seade vajab hooldamist.	Mooduli tõrge.	Kasutage õigesti töötavaid mooduleid. Pöörduge defektse mooduli parandamiseks tehnilise toe poole.
Proovi ei leitud.	<ul style="list-style-type: none"> Proovinõu pole täidetud mõõtejooneni. Proovi juhtivus on alla 2 $\mu\text{S/cm}$. 	<ul style="list-style-type: none"> Veenduge, et proovinõu on täidetud mõõtejooneni. Veenduge, et proovi juhtivus on üle 2 $\mu\text{S/cm}$. Puhastage proovidetektor. Vt Joonis 11 leheküljel 474. Kui probleem ei lahene, pöörduge tehnilise toe poole.


11.1 Diagnostikakontrolli tegemine

Diagnostikamenüüs kuvatakse teave mõõturi praeguse versiooni kohta ja mälukaardi vormindamise valik.

- Valige **Põhimenüü>Diagnostika**.
- Tehke valik.

Valik	Kirjeldus
Kettaruum	Kuvab kasutaja mälu ja sisemälu kasutatava kettaruumi.
Konfig. versioonid	Kuvab mõõturi sätete konfiguratsiooniversioonid.
Meetodi versioonid	Kuvab mõõturi meetodiversioonid.
Vorminda mälu	Kustutab kõik mõõturi andmed. Märkus. Kui toiming Vorminda mälu on lõpule jõudnud, lähevad kõik mõõturi andmed (nt mõõturi konfiguratsioon, koha ID-d, operaatori ID-d, marsruudid, märkmed, mallid jm) kaotsi.

Osa 12 Varuosad ja tarvikud

▲ HOIATUS	
	Kehavigastuse oht. Heakskiitmata osade kasutamine võib põhjustada kehavigastusi, kahjustada seadet või põhjustada selle talitlushäireid. Selles jaotises kirjeldatud varuosad on tootja heaks kiitnud.

Märkus. Toote- ja artiklinumbrid võivad müügipiirkonniti erineda. Lisateavet saate edasimüüjatelt või firma veebilehelt.

Vaadake juhendi täieliku versiooni jaotist Varuosad ja tarvikud.



HACH COMPANY World Headquarters

P.O. Box 389, Loveland, CO 80539-0389 U.S.A.
Tel. (970) 669-3050
(800) 227-4224 (U.S.A. only)
Fax (970) 669-2932
orders@hach.com
www.hach.com

HACH LANGE GMBH

Willstätterstraße 11
D-40549 Düsseldorf, Germany
Tel. +49 (0) 2 11 52 88-320
Fax +49 (0) 2 11 52 88-210
info-de@hach.com
www.de.hach.com

HACH LANGE Sàrl

6, route de Compois
1222 Vézenaz
SWITZERLAND
Tel. +41 22 594 6400
Fax +41 22 594 6499