



DOC022.L1.90639

DR300

09/2021, Edition 5

User Manual
Benutzerhandbuch
Manuel d'utilisation
Manual de usuario
Manuale utente
Manual do utilizador
Gebruikershandleiding
دليل المستخدم

Table of Contents

English	3
Deutsch	25
Français	50
Español	75
Italiano	99
Português	122
Nederlands	147
العربية	171

Table of Contents

- | | | | |
|---|---|----|--|
| 1 | Specifications on page 3 | 7 | Show measurements on page 15 |
| 2 | General information on page 4 | 8 | Calibration on page 15 |
| 3 | Install the batteries on page 7 | 9 | Maintenance on page 20 |
| 4 | User interface and navigation on page 8 | 10 | Troubleshooting on page 21 |
| 5 | Set the time on page 10 | 11 | Replacement parts and accessories on page 24 |
| 6 | Do a test on page 11 | | |

Section 1 Specifications

Specifications are subject to change without notice.

Specification	Details
Dimensions (W x H x D)	6.9 x 15.7 x 3.4 cm (2.7 x 6.2 x 1.3 in.)
Enclosure	IP67, waterproof at 1 m (3.3 ft) for 30 minutes when battery compartment is closed and locked.
Light source	Light emitting diode (LED)
Detector	Silicon photodiode
Display	LCD with backlight
Weight	0.25 kg (0.55 lb)
Power requirements	4 AAA batteries; approximate life of 5000 tests (use of backlight decreases this number) Rechargeable batteries are not recommended.
Operating environment	0 to 50 °C (32 to 122 °F), 0 to 90% relative humidity non-condensing
Storage temperature	-20 to 55 °C (-4 to 131 °F), 0 to 80% relative humidity non-condensing
Wavelength	Fixed wavelength ± 2 nm, different for each model
Filter bandwidth	15 nm
Absorbance range	0 to 2.5 Abs
Sample cell	25 mm (10 mL) and 1 cm (10 mL)
Data storage	Last 50 measurements

Specification	Details
Bluetooth® ¹	Bluetooth® is on when the optional Hach Communication Dongle is installed.
Certifications	CE
Warranty	1 year (EU: 2 years)

Section 2 General information

In no event will the manufacturer be liable for direct, indirect, special, incidental or consequential damages resulting from any defect or omission in this manual. The manufacturer reserves the right to make changes in this manual and the products it describes at any time, without notice or obligation. Revised editions are found on the manufacturer's website.

2.1 Safety information

The manufacturer is not responsible for any damages due to misapplication or misuse of this product including, without limitation, direct, incidental and consequential damages, and disclaims such damages to the full extent permitted under applicable law. The user is solely responsible to identify critical application risks and install appropriate mechanisms to protect processes during a possible equipment malfunction.

Please read this entire manual before unpacking, setting up or operating this equipment. Pay attention to all danger and caution statements. Failure to do so could result in serious injury to the operator or damage to the equipment.

Make sure that the protection provided by this equipment is not impaired. Do not use or install this equipment in any manner other than that specified in this manual.

¹ The Bluetooth® word mark and logos are registered trademarks owned by the Bluetooth SIG, Inc. and any use of such marks by HACH is under license.

2.1.1 Use of hazard information

⚠ DANGER

Indicates a potentially or imminently hazardous situation which, if not avoided, will result in death or serious injury.

⚠ WARNING

Indicates a potentially or imminently hazardous situation which, if not avoided, could result in death or serious injury.

⚠ CAUTION

Indicates a potentially hazardous situation that may result in minor or moderate injury.

NOTICE

Indicates a situation which, if not avoided, may cause damage to the instrument. Information that requires special emphasis.

2.1.2 Precautionary labels

Read all labels and tags attached to the instrument. Personal injury or damage to the instrument could occur if not observed. A symbol on the instrument is referenced in the manual with a precautionary statement.

	This symbol, if noted on the instrument, references the instruction manual for operation and/or safety information.
	Electrical equipment marked with this symbol may not be disposed of in European domestic or public disposal systems. Return old or end-of-life equipment to the manufacturer for disposal at no charge to the user.

2.1.3 Certification

Canadian Radio Interference-Causing Equipment Regulation, ICES-003, Class B:

Supporting test records reside with the manufacturer.

This Class B digital apparatus meets all requirements of the Canadian Interference-Causing Equipment Regulations.

Cet appareil numérique de classe B répond à toutes les exigences de la réglementation canadienne sur les équipements provoquant des interférences.

FCC Part 15, Class "B" Limits

Supporting test records reside with the manufacturer. The device complies with Part 15 of the FCC Rules. Operation is subject to the following conditions:

1. The equipment may not cause harmful interference.
2. The equipment must accept any interference received, including interference that may cause undesired operation.

Changes or modifications to this equipment not expressly approved by the party responsible for compliance could void the user's authority to operate the equipment. This equipment has been tested and found to comply with the limits for a Class B digital device, pursuant to Part 15 of the FCC rules. These limits are designed to provide reasonable protection against harmful interference when the equipment is operated in a commercial environment. This equipment generates, uses and can radiate radio frequency energy and, if not installed and used in accordance with the instruction manual, may cause harmful interference to radio communications. Operation of this equipment in a residential area is likely to cause harmful interference, in which case the user will be required to correct the interference at their expense. The following techniques can be used to reduce interference problems:

1. Move the equipment away from the device receiving the interference.
2. Reposition the receiving antenna for the device receiving the interference.
3. Try combinations of the above.

2.2 Product overview

This instrument is a portable filter photometer used for testing water.

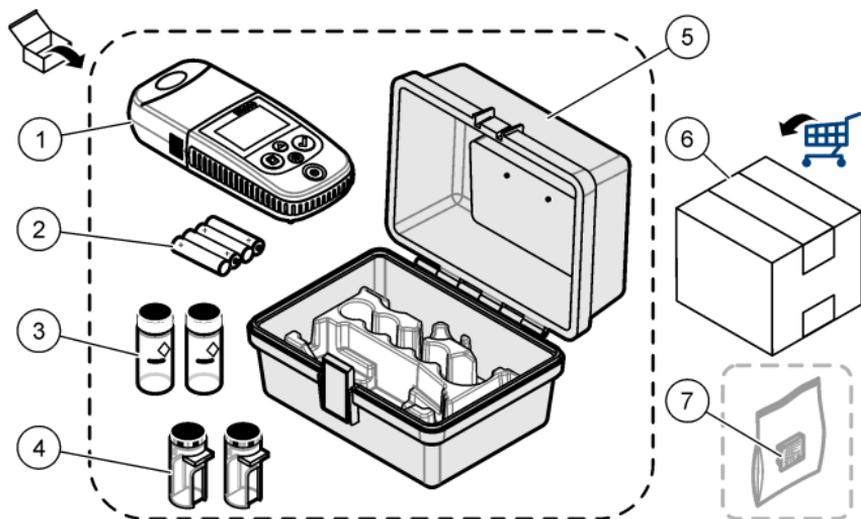
***Note:** This instrument has not been evaluated to measure chlorine and chloramines in medical applications in the United States.*

2.3 Product components

Make sure that all components have been received. Refer to [Figure 1](#). If any items are missing or damaged, contact the manufacturer or a

sales representative immediately. [Figure 1](#) is an example and shows the parts supplied with LPV445.99.00110. Other instruments come with different components.

Figure 1 Product components



1 DR300	5 Storage case
2 AAA alkaline batteries	6 Reagents
3 Sample cells, 25 mm (10 mL), glass	7 Hach Communication Dongle (optional, supplied separately)
4 Sample cells, 1 cm (10 mL), plastic	

Section 3 Install the batteries

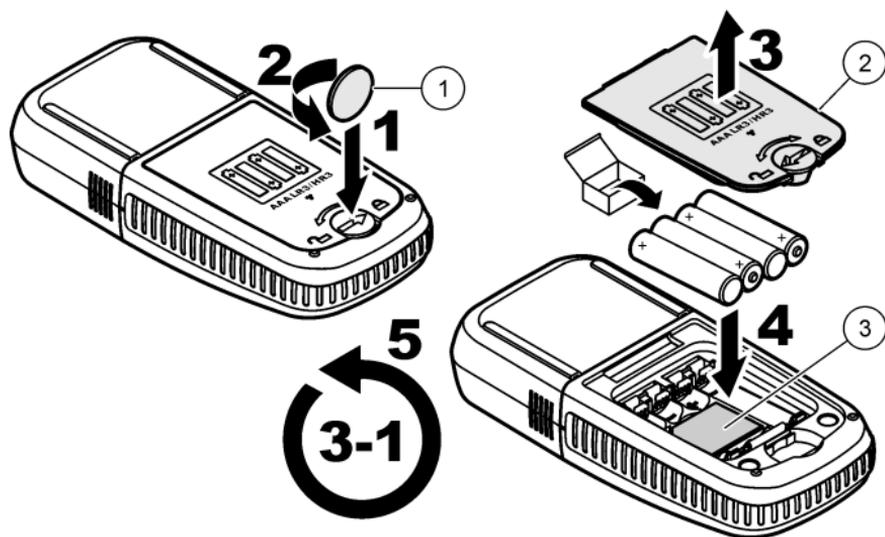
⚠ WARNING



Explosion hazard. Incorrect battery installation can cause the release of explosive gases. Be sure that the batteries are of the same approved chemical type and are inserted in the correct orientation. Do not mix new and used batteries.

Refer to [Figure 2](#) to install the batteries. Then, push  to set the instrument to on.

Figure 2 Install the batteries



1 Coin

2 Battery cover

3 Plastic insert for dongle²

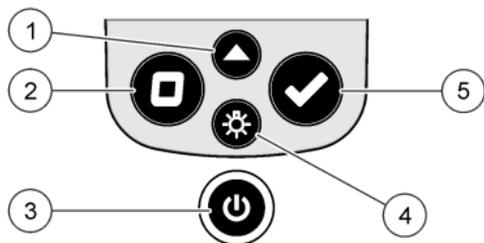
Section 4 User interface and navigation

4.1 Keypad description

Figure 3 shows the keypad and gives the key functions.

² Only remove the plastic insert to install the Hach Communication Dongle. Refer to the installation instructions supplied with the dongle.

Figure 3 Keypad

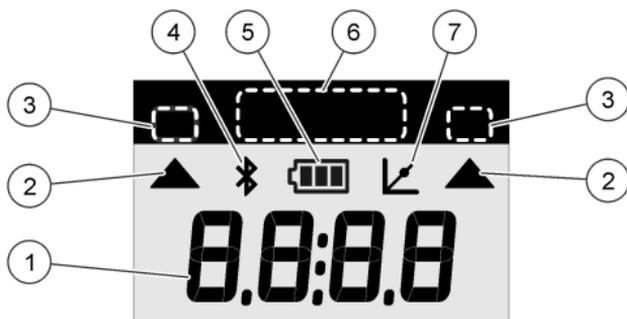


<p>1 Range key: Selects the measurement range (e.g., LR or HR). Push and hold for 3 seconds to enter or exit menu mode. In menu mode, scrolls up or increases the value of the selected digit.</p>	<p>4 Backlight key: Sets the backlight to on and off. In menu mode, scrolls down or decreases the value of the selected digit.</p>
<p>2 Zero key: Sets the zero value before a measurement. In menu mode, goes back one menu level or moves the cursor to the previous digit.</p>	<p>5 Read key: Starts a sample measurement. In menu mode, selects the menu option shown or moves the cursor to the next digit.</p>
<p>3 Power key: Sets the power to on and off. Push and hold for 5 seconds to reset the instrument. The calibration is not deleted.</p>	

4.2 Display description

Figure 4 shows the values and icons shown on the display.

Figure 4 Display



1 Numeric display: Measured value or menu options	5 Battery icon: Battery power level. Flashes when the battery power level is low.
2 Range icon: Points to the selected measurement range	6 Parameter and measurement ranges
3 Measurement ranges or parameters	7 Calibration adjusted icon: The factory default calibration was adjusted or a user-entered calibration curve was entered.
4 Bluetooth® icon: Bluetooth® is on ³ .	

Section 5 Set the time

Set the time (24-hour format).

1. Push and hold ▲ for 3 seconds to enter menu mode.
The time shows (or 00:00).
2. Push ✓ to set the time.
3. Push the ▲ or ⚙ to change the number that flashes. Push ✓ to go to the next digit. Push ◀ to go to the previous digit.

³ Shows when the Hach Communication Dongle is installed.

Section 6 Do a test

▲ DANGER



Chemical or biological hazards. If this instrument is used to monitor a treatment process and/or chemical feed system for which there are regulatory limits and monitoring requirements related to public health, public safety, food or beverage manufacture or processing, it is the responsibility of the user of this instrument to know and abide by any applicable regulation and to have sufficient and appropriate mechanisms in place for compliance with applicable regulations in the event of malfunction of the instrument.

▲ DANGER



Chemical exposure hazard. Obey laboratory safety procedures and wear all of the personal protective equipment appropriate to the chemicals that are handled. Refer to the current safety data sheets (MSDS/SDS) for safety protocols.

▲ CAUTION



Chemical exposure hazard. Dispose of chemicals and wastes in accordance with local, regional and national regulations.

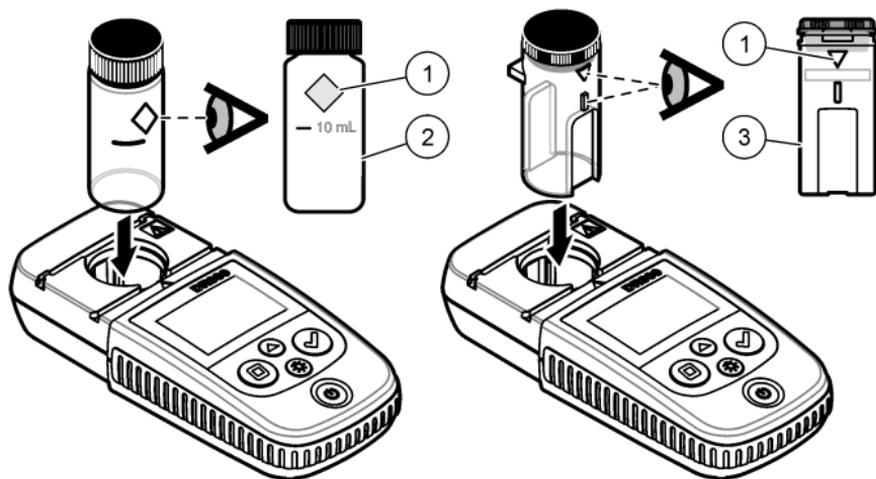
The generic steps to do a test follow.

To do a test for a specific parameter (e.g., chlorine), download the test procedure from the manufacturer's website. Refer to [Download a test procedure](#) on page 14.

1. Push ▲ to select the applicable measurement range (e.g., LR or HR).
2. Prepare the blank. Refer to the test procedure.
3. Clean the sample cell with a no-lint cloth.
4. Insert the blank sample cell into the cell holder. Make sure to install the blank sample cell in the correct and consistent orientation so that the results are more repeatable and precise. Refer to [Figure 5](#).
5. Install the instrument cap over the cell holder. Refer to [Figure 6](#).

6. Push **0** to set the instrument zero.
7. Remove the blank sample cell.
8. Prepare the sample. Refer to the test procedure.
9. Clean the sample cell with a no-lint cloth.
10. Insert the sample cell into the cell holder. Make sure to install the sample cell in the correct and consistent orientation so that the results are more repeatable and precise. Refer to [Figure 5](#).
11. Install the instrument cap over the cell holder. Refer to [Figure 6](#).
12. Push **✓**. The display shows the results in concentration units or absorbance.
Note: *The result flashes if the result is less or more than the instrument range.*
13. Remove the sample cell from the cell holder.
14. Immediately empty and rinse the sample cell. Rinse the sample cell and cap three times with deionized water (or distilled water).
Note: *As an alternative, use tap water to rinse the sample cell if the samples measured have a higher concentration than the tap water.*

Figure 5 Sample cell orientation



1 Orientation mark⁴

2 Sample cell, 25-mm
(10 mL), glass⁵

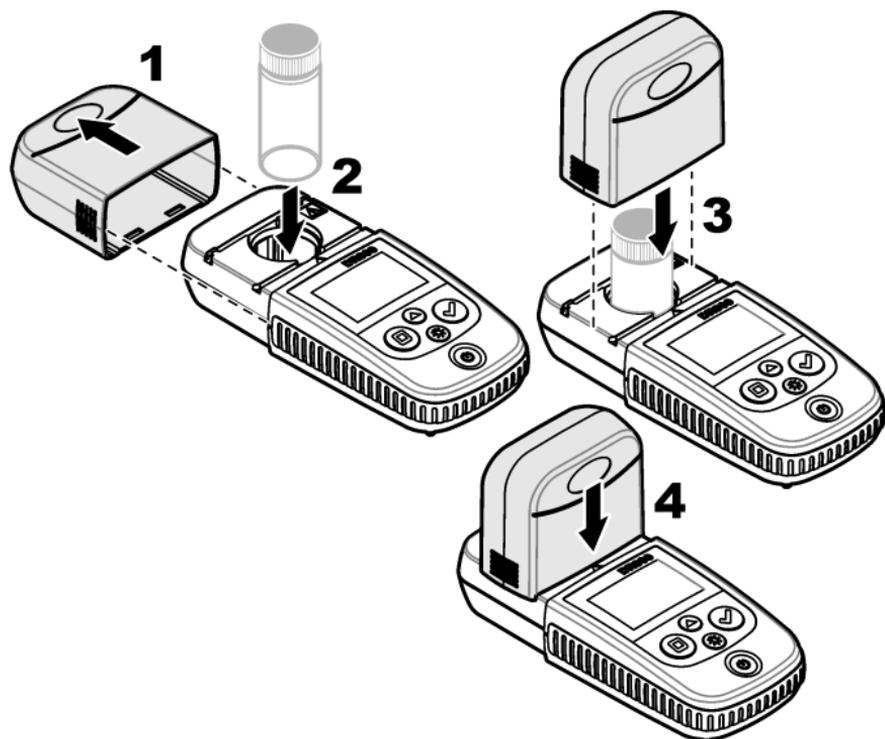
3 Sample cell, 1-cm
(10 mL), plastic⁶

⁴ Some variants of the instrument have sample cells without an orientation mark.

⁵ Use the glass sample cell for low-range chlorine tests.

⁶ Use the plastic sample cell for high-range chlorine tests.

Figure 6 Install the instrument cap over the cell holder



6.1 Download a test procedure

1. Go to <http://www.hach.com>.
2. Enter "DR300" in the Search box.
3. Select the "Downloads" option on the left side in the "Search Type" box.
4. Scroll down to "Methods/Procedures".
5. Click the link for the applicable test procedure to download it.

Section 7 Show measurements

Note: The instrument saves a maximum of 50 measurements. After 50 measurements are done, new measurements replace the oldest measurements.

1. Push and hold ▲ for 3 seconds.
2. Push ▲ until "rCL" (recall) shows, then push ✓.
"– 01 –" shows. Measurement 01 is the last measurement done.
3. Push ✓ to scroll forward.
The measurement number is followed by the measurement value and then the time.
4. To go to a measurement number, push ✓ until a measurement number shows, then push ▲ or ☼.
Note: Measurements cannot be deleted.
5. Push and hold ▲ for 3 seconds to go back to measurement mode.

Section 8 Calibration

This instrument is calibrated at the factory. No user calibration is necessary.

8.1 Standard calibration adjust

Use the standard calibration adjust (SCA) option when a calibration must be adjusted to meet regulatory requirements. The factory calibration is adjusted slightly with the standard calibration adjust (SCA) option so that the instrument shows the expected value of the standard solution. The adjusted calibration is then used for all test results. This adjustment can increase the test accuracy when there are slight variations in the reagents or instruments.

Note: For instruments with factory-calibrated ranges or methods, the standard calibration adjust (SCA) feature is disabled when a user-entered calibration is entered into the instrument. To set SCA back to on, set the instrument to the factory default calibration. Refer to [Set to the factory default calibration](#) on page 20.

8.1.1 Do a standard calibration adjust

1. Complete the test procedure for the range to calibrate. For the sample, use the standard solution concentration given in the test procedure documentation.

Note: If a standard solution concentration is not given in the test procedure documentation, a different known standard can be used.

2. When the test procedure is completed, push and hold ▲ for 3 seconds.
3. Push ▲ until "SCA" shows, then push ✓.
The display shows the standard calibration adjust value.
4. If a different known standard is used, enter the value of the standard:
 - a. Push ▲ until "Edit" shows, then push ✓.
 - b. Enter the value of the standard.

Push the ▲ or ☼ to change the number that flashes. Push ✓ to go to the next digit. Push ◻ to go to the previous digit.

5. Push ✓ to add the standard calibration adjust value to the factory calibration curve.

8.1.2 Set the standard calibration adjust to off

To use the factory default calibration again, set standard calibration adjust (SCA) to off.

1. Push and hold ▲ for 3 seconds to enter menu mode.
2. Push ▲ until "SCA" shows, then push ✓.
3. Push ▲ until "OFF" shows, then push ✓.

Note: To set the SCA function to on again, do a standard calibration adjust.

8.2 User-entered calibration curve

This instrument accepts a user-prepared calibration curve. The calibration curve can be from 0 to 2.5 absorbance. Make sure that the calibration curve includes standard values that are less and more than the range of interest.

The instrument range will be the same as the calibration range. For example, when the standards that are used are 1.00, 2.00 and 4.00. The instrument range is 1.00 to 4.00.

There are two options to enter a user calibration curve:

- **Enter a calibration curve with standards**—The standard solution values are entered with the keypad and the absorbance values are measured.
- **Enter a calibration curve with the keypad**—The standard solution values and absorbance values are entered with the keypad.

Note: If the instrument is set to off or the instrument power is removed before a user-entered calibration curve is completed, the calibration curve is not saved. The instrument automatically switches off in user-entered calibration entry mode after 60 minutes of no activity. User-entered calibrations are completed when the user goes out of calibration (cal) mode or edit mode.

8.2.1 Enter a calibration curve with standards

⚠ WARNING



Chemical exposure hazard. Obey laboratory safety procedures and wear all of the personal protective equipment appropriate to the chemicals that are handled. Refer to the current safety data sheets (MSDS/SDS) for safety protocols.

⚠ CAUTION



Chemical exposure hazard. Dispose of chemicals and wastes in accordance with local, regional and national regulations.

Note: As an alternative, deionized water can be used for the blank unless the sample is significantly more turbid or has more color than deionized water.

1. Push ▲ to set the instrument to the range to calibrate (e.g., LR or HR).
2. Prepare the blank. Refer to the test procedure.
3. Clean the sample cell with a no-lint cloth.
4. Set the instrument to zero.
 - a. Insert the blank sample cell in the cell holder.

- b. Install the instrument cap over the cell holder.
 - c. Push **□**. The display shows “- - -”, then “0.00”.
5. Push and hold **▲** for 3 seconds to enter menu mode.
6. Push **▲** until "USER" shows, then push **✓**.
7. Push **▲** until "CAL" shows, then push **✓**.
8. When "S0" shows on the display, push **✓**.
9. Enter 00.00 (or 000.0) for the blank value.
Push the **▲** or **☼** to change the number that flashes. Push **✓** to go to the next digit. Push **□** to go to the previous digit.
10. When “A0” shows on the display, push **✓** to measure the absorbance of the blank.
The display shows the absorbance value for "S0".
11. Remove the sample cell from the cell holder.
12. Prepare the sample. Refer to the test procedure. For the sample, use the standard solution concentration given in the test procedure documentation.
13. Clean the sample cell with a no-lint cloth.
14. Push **☼** to show "S1" (or "Add"), then push **✓**.
15. Enter the concentration value of the first calibration standard, then push **✓**.
16. When "A1" shows on the display, do the steps that follow to measure the absorbance:
 - a. Insert the reacted standard sample cell in the cell holder.
 - b. Install the instrument cap over the cell holder.
 - c. Push **✓**. The display shows the absorbance value for "S1".
17. The calibration is completed with two calibration points. If additional standards are necessary for calibration:
Do steps 11 – 16 again to measure more calibration standards.
18. Remove the sample cell from the cell holder.

19. Immediately empty and rinse the sample cell. Rinse the sample cell and cap three times with deionized water (or distilled water).

Note: As an alternative, tap water can be used to rinse the sample cell if the concentration of the parameter in the tap water is less than the samples measured.

20. Push and hold ▲ for 3 seconds to go back to measurement mode.

8.2.2 Enter a calibration curve with the keypad

At least two data pairs are necessary to enter a user-prepared calibration curve. A concentration value and the absorbance value for the given concentration is necessary for each data pair. A maximum of 10 data pairs can be entered.

1. Push ▲ to set the instrument to the range to calibrate (e.g., LR or HR).
2. Push and hold ▲ for 3 seconds to enter menu mode.
3. Push ▲ until "USEr" shows, then push ✓.
4. Push ▲ until "Edit" shows, then push ✓.
5. When "S0" shows on the display, push ✓.
6. Enter the first data pair.

The first data pair is S0 (concentration value) and A0 (absorbance value).

- Push ▲ or ☼ to change the number that flashes.
- Push ✓ to go to the next digit.
- Push ◻ to go to the previous digit.

7. Do steps 5 and 6 again to enter the second data pair (S1 and A1).
8. The calibration is completed with two data pairs. If additional data pairs are necessary for calibration:
 - a. When "Add" shows, push ✓.
 - b. Do steps 5 and 6 again to enter more data pairs.
9. Push and hold ▲ for 3 seconds to go back to measurement mode.

8.2.3 Set to the factory default calibration

To remove a user-entered calibration curve from the instrument and use the factory calibration, do the steps that follow:

1. Push and hold ▲ for 3 seconds to enter menu mode.
2. Push ▲ until "USER" shows, then push ✓.
3. Push ▲ until "dFL" (default) shows, then push ✓.

Section 9 Maintenance

▲ CAUTION



Multiple hazards. Only qualified personnel must conduct the tasks described in this section of the document.

NOTICE

Do not disassemble the instrument for maintenance. If the internal components must be cleaned or repaired, contact the manufacturer.

9.1 Clean the instrument

Clean the exterior of the instrument with a moist cloth and a mild soap solution and then wipe the instrument dry as necessary.

9.2 Clean the sample cells

▲ CAUTION



Chemical exposure hazard. Obey laboratory safety procedures and wear all of the personal protective equipment appropriate to the chemicals that are handled. Refer to the current safety data sheets (MSDS/SDS) for safety protocols.

▲ CAUTION



Chemical exposure hazard. Dispose of chemicals and wastes in accordance with local, regional and national regulations.

Most laboratory detergents are used at recommended concentrations. Neutral detergents, such as Liquinox, are safer to use when regular cleaning is necessary. To decrease the cleaning times, increase the temperature or use an ultrasonic bath. To complete the cleaning, rinse a few times with deionized water and then let the sample cell air dry. Sample cells may also be cleaned with acid, followed by a thorough rinse with deionized water.

Note: Always use acid to clean sample cells that were used for low-level metal tests.

Special cleaning methods are necessary for individual procedures. When a brush is used to clean sample cells, take extra care to avoid scratches on the interior surfaces of the sample cells.

9.3 Replace the batteries

Replace the batteries when the battery power level is low. Refer to [Install the batteries](#) on page 7.

Section 10 Troubleshooting

Error	Description	Solution
E-00	No Zero	In user calibration mode, a standard solution was measured before the instrument zero was set. Measure a blank solution to set the instrument to zero.
E-01	Ambient light error ⁷	There is ambient light in the cell holder. Make sure that the instrument cap is fully installed on the cell holder. Refer to Do a test on page 11.
E-02	LED error ⁷	The LED (light source) is out of regulation. Replace the batteries. Make sure that the LED in the cell holder comes on when <input checked="" type="checkbox"/> or <input type="checkbox"/> is pushed.

⁷ When an E-01 or E-02 error occurs on a measurement, the display shows "_._.". The decimal place depends on the chemistry. If the E-01 or E-02 error occurs while the instrument is set to zero, set the instrument to zero again.

Error	Description	Solution
E-03	Standard adjust error	<ul style="list-style-type: none"> • The measured value of the standard solution is more than the adjustment limits. Prepare a fresh standard. • The standard solution is not within the concentration range that can be used for standard calibration adjust. Prepare a standard with a value at or near the recommended concentrations given in the procedure. • Make sure that the concentration of the standard solution is entered correctly.
Reading flashes followed by E-04	The reading is more or less than the instrument range. ⁸	<p>If the reading is less than the instrument range, make sure that the instrument cap is fully installed on the cell holder. Measure a blank. If the blank reading is not zero, set the instrument to zero again.</p> <p>If the reading is more than the instrument range, identify if there is a light blockage in the cell holder. Dilute the sample. Do the test again.</p>
E-06	Absorbance error	The absorbance value is not correct or the user-entered calibration curve has fewer than two points. Enter or measure the absorbance value again.
E-07	Standard value error	The standard solution concentration is equal to another standard solution concentration that is already entered in the user-entered calibration curve. Enter the correct standard concentration.
E-09	Flash error	The instrument is not able to save data. Push and hold  for 5 seconds to reset the instrument.
E-10	Environment temperature too high or too low	The ambient temperature is out of range. Use the instrument only in the specified operating conditions. Refer to Specifications on page 3.

⁸ The value that flashes will be 10% over the upper test range limit.

Error	Description	Solution
E-12	Low battery power	Battery power is too low. Replace the batteries. Refer to Install the batteries on page 7.
E-13	Parameter load failure	The memory of the instrument is defective. Contact technical support.
E-14 followed by "_._" or "0" if no zero was present	Zero measurement invalid	The zero measurement is too low. Use a sample cell filled with water and try again. If the error continues, contact technical support.
E-15 followed by "_._"	Absorbance too high	Identify if there is a light blockage in the cell holder. Clean the cell holder. Dilute the sample. Do the test again. Note: This instrument can not read absorbance values higher than 3.5 Abs.
E-20	Signal measurement out of range	There is too much light on the light detector. Make sure that the instrument cap is fully installed on the cell holder. Do the test again. If the error continues, contact technical support.
E-21	Signal measurement unstable	There is an unstable signal on the light detector. There is too much or unstable ambient light. Make sure that the instrument cap is fully installed on the cell holder. Do the test again. If the error continues, contact technical support.
E-22	Hardware error	The electronic system is defective. Contact technical support.

The following errors can occur immediately after an instrument update.

Error	Description	Solution
E-30	No application	There was an error during the application update. A valid application was not found on the instrument. Update the instrument again.
E31	Bootloader update failed	There was an error during the transmission of the bootloader update. Update the bootloader again.

Error	Description	Solution
E-32	Application update failed	There was an error during the transmission of the application update. Update the instrument again.
E-66	Update failed	The instrument is defective. Contact technical support.

Section 11 Replacement parts and accessories

⚠ WARNING



Personal injury hazard. Use of non-approved parts may cause personal injury, damage to the instrument or equipment malfunction. The replacement parts in this section are approved by the manufacturer.

Note: Product and Article numbers may vary for some selling regions. Contact the appropriate distributor or refer to the company website for contact information.

Replacement parts

Description	Quantity	Item no.
AAA batteries, alkaline	4/pkg	4674300
Instrument cap	1	LPZ445.99.00006
Battery cover	1	LPZ445.99.00007
Sample cell, 25 mm (10 mL), glass	6/pkg	2427606
Sample cell, 1 cm (10 mL), plastic	2/pkg	4864302

Accessories

Description	Quantity	Item no.
Hach Communication Dongle	1	LPV446.99.00012
Soft-sided case/holster	1	5953100

Inhaltsverzeichnis

- | | |
|---|---|
| 1 Technische Daten auf Seite 25 | 7 Anzeigen von Messungen auf Seite 37 |
| 2 Allgemeine Informationen auf Seite 26 | 8 Kalibrierung auf Seite 37 |
| 3 Einlegen der Batterien auf Seite 30 | 9 Wartung auf Seite 43 |
| 4 Benutzerschnittstelle und Navigation auf Seite 31 | 10 Fehlersuche und -behebung auf Seite 45 |
| 5 Einstellen der Uhrzeit auf Seite 32 | 11 Ersatzteile und Zubehör auf Seite 49 |
| 6 Durchführen eines Tests auf Seite 33 | |

Kapitel 1 Technische Daten

Änderungen vorbehalten.

Technische Daten	Details
Größe (B x H x T)	6,9 x 15,7 x 3,4 cm (2,7 x 6,2 x 1,3 Zoll)
Gehäuse	IP67, Schutz bis 1 m (3,3 ft) für 30 Minuten, wenn das Batteriefach geschlossen und verriegelt ist
Lichtquelle	Leuchtdiode (LED)
Detektor	Silizium-Photodiode
Anzeige	LCD mit Hintergrundbeleuchtung
Gewicht	0,25 kg (0,55 lb)
Spannungsversorgung	4 AAA-Batterien; ungefähre Lebensdauer 5.000 Tests (weniger bei Verwendung der Hintergrundbeleuchtung) Wiederaufladbare Batterien werden nicht empfohlen.
Betriebsumgebungstemperatur	0 bis 50 °C (32 bis 122 °F); 0 bis 90 % relative Luftfeuchtigkeit, nicht kondensierend
Lagertemperatur	-20 bis 55 °C (-4 bis 131 °F); 0 bis 80 % relative Luftfeuchtigkeit, nicht kondensierend
Wellenlänge	Feste Wellenlänge ± 2 nm, je nach Modell unterschiedlich
Filterbandbreite	15 nm
Absorbanzbereich	0 bis 2,5 Abs

Technische Daten	Details
Probenküvette	25 mm (10 mL) und 1 cm (10 mL)
Datenspeicher	Letzte 50 Messungen
Bluetooth® ¹	Bluetooth® ist aktiviert, wenn der optionale Hach Kommunikationsdongle installiert ist.
Zertifizierungen	CE
Gewährleistung	1 Jahr (EU: 2 Jahre)

Kapitel 2 Allgemeine Informationen

Der Hersteller ist nicht verantwortlich für direkte, indirekte, versehentliche oder Folgeschäden, die aus Fehlern oder Unterlassungen in diesem Handbuch entstanden. Der Hersteller behält sich jederzeit und ohne vorherige Ankündigung oder Verpflichtung das Recht auf Verbesserungen an diesem Handbuch und den hierin beschriebenen Produkten vor. Überarbeitete Ausgaben der Bedienungsanleitung sind auf der Hersteller-Webseite erhältlich.

2.1 Sicherheitshinweise

Der Hersteller ist nicht für Schäden verantwortlich, die durch Fehlanwendung oder Missbrauch dieses Produkts entstehen, einschließlich, aber ohne Beschränkung auf direkte, zufällige oder Folgeschäden, und lehnt jegliche Haftung im gesetzlich zulässigen Umfang ab. Der Benutzer ist selbst dafür verantwortlich, schwerwiegende Anwendungsrisiken zu erkennen und erforderliche Maßnahmen durchzuführen, um die Prozesse im Fall von möglichen Gerätefehlern zu schützen.

Bitte lesen Sie dieses Handbuch komplett durch, bevor Sie dieses Gerät auspacken, aufstellen oder bedienen. Beachten Sie alle Gefahren- und Warnhinweise. Nichtbeachtung kann zu schweren Verletzungen des Bedienpersonals oder Schäden am Gerät führen.

Stellen Sie sicher, dass die durch dieses Messgerät gebotene Sicherheit nicht beeinträchtigt wird. Verwenden bzw. installieren Sie das Messgerät nur wie in diesem Handbuch beschrieben.

¹ Die Bluetooth®-Wortmarke und -Logos sind eingetragene Marken der Bluetooth SIG, Inc. und jede Verwendung dieser Marken durch HACH erfolgt unter Lizenz.

2.1.1 Bedeutung von Gefahrenhinweisen

▲ GEFAHR

Kennzeichnet eine mögliche oder drohende Gefahrensituation, die, wenn sie nicht vermieden wird, zum Tod oder zu schweren Verletzungen führt.

▲ WARNUNG

Kennzeichnet eine mögliche oder drohende Gefahrensituation, die, wenn sie nicht vermieden wird, zum Tod oder zu schweren Verletzungen führen kann.

▲ VORSICHT

Kennzeichnet eine mögliche Gefahrensituation, die zu leichteren Verletzungen führen kann.

ACHTUNG

Kennzeichnet eine Situation, die, wenn sie nicht vermieden wird, das Gerät beschädigen kann. Informationen, die besonders beachtet werden müssen.

2.1.2 Warnhinweise

Lesen Sie alle am Gerät angebrachten Aufkleber und Hinweise. Nichtbeachtung kann Verletzungen oder Beschädigungen des Geräts zur Folge haben. Im Handbuch wird in Form von Warnhinweisen auf die am Gerät angebrachten Symbole verwiesen.

	Dieses Symbol am Gerät weist auf Betriebs- und/oder Sicherheitsinformationen im Handbuch hin.
	Elektrogeräte, die mit diesem Symbol gekennzeichnet sind, dürfen nicht im normalen öffentlichen Abfallsystem entsorgt werden. Senden Sie Altgeräte an den Hersteller zurück. Dieser entsorgt die Geräte ohne Kosten für den Benutzer.

2.1.3 Zertifizierung

Kanadische Vorschriften zu Interferenz verursachenden Einrichtungen, IECS-003, Klasse B:

Entsprechende Prüfnachweise hält der Hersteller bereit.

Dieses digitale Gerät der Klasse B erfüllt alle Vorgaben der kanadischen Normen für Interferenz verursachende Geräte.

Cet appareil numérique de classe B répond à toutes les exigences de la réglementation canadienne sur les équipements provoquant des interférences.

FCC Teil 15, Beschränkungen der Klasse „B“

Entsprechende Prüfnachweise hält der Hersteller bereit. Das Gerät entspricht Teil 15 der FCC-Vorschriften. Der Betrieb unterliegt den folgenden Bedingungen:

1. Das Gerät darf keine Störungen verursachen.
2. Das Gerät muss jegliche Störung, die es erhält, einschließlich jener Störungen, die zu unerwünschtem Betrieb führen, annehmen.

Änderungen oder Modifizierungen an diesem Gerät, die nicht ausdrücklich durch die für die Einhaltung der Standards verantwortliche Stelle bestätigt wurden, können zur Aufhebung der Nutzungsberechtigung für dieses Gerät führen. Dieses Gerät wurde getestet und erfüllt die Bestimmungen für digitale Geräte der Klasse B gemäß Teil 15 der FCC-Vorschriften. Diese Grenzwerte sollen einen angemessenen Schutz gegen gesundheitsschädliche Störungen gewährleisten, wenn dieses Gerät in einer gewerblichen Umgebung betrieben wird. Dieses Gerät erzeugt und nutzt hochfrequente Energie und kann diese auch abstrahlen, und es kann, wenn es nicht in Übereinstimmung mit der Bedienungsanleitung installiert und eingesetzt wird, schädliche Störungen der Funkkommunikation verursachen. Der Betrieb dieses Geräts in Wohngebieten kann schädliche Störungen verursachen. In diesem Fall muss der Benutzer die Störungen auf eigene Kosten beseitigen. Probleme mit Interferenzen lassen sich durch folgende Methoden mindern:

1. Vergrößern Sie den Abstand zwischen diesem Gerät und dem gestörten Gerät.
2. Ändern Sie die Position der Empfangsantenne des gestörten Geräts.
3. Versuchen Sie auch, die beschriebenen Maßnahmen miteinander zu kombinieren.

2.2 Produktübersicht

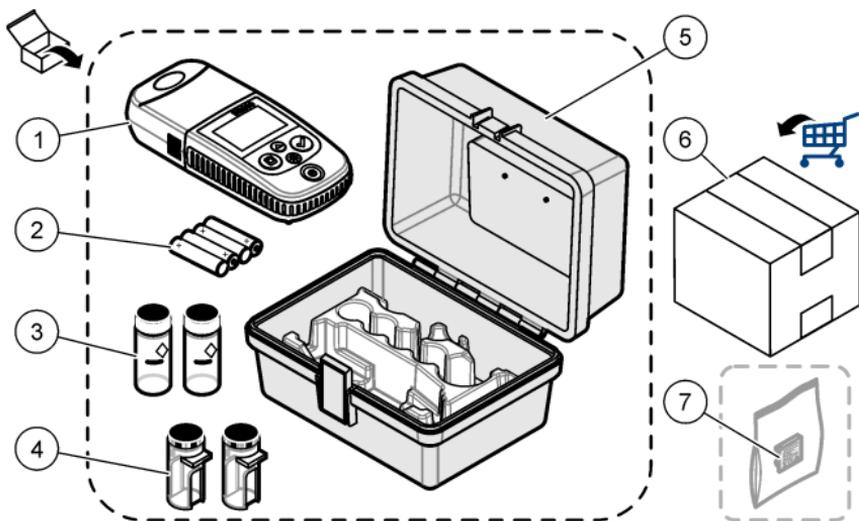
Bei diesem Gerät handelt es sich um ein portables Filterphotometer für die Analyse von Wasser.

Hinweis: Die Messung von Chlor und Chloraminen mit diesem Gerät im Rahmen medizinischer Anwendungen in den USA wurde nicht getestet.

2.3 Produktkomponenten

Stellen Sie sicher, dass Sie alle Teile erhalten haben. Siehe [Abbildung 1](#). Wenn Komponenten fehlen oder beschädigt sind, kontaktieren Sie bitte umgehend den Hersteller oder Verkäufer. [Abbildung 1](#) ist ein Beispiel und zeigt die im Lieferumfang von LPV445.99.00110 enthaltenen Teile. Andere Geräte enthalten andere Komponenten.

Abbildung 1 Produktkomponenten



1 DR300	5 Aufbewahrungsbox
2 Alkali-Batterien Größe AAA	6 Reagenzien
3 Probenküvetten, 25 mm (10 mL), Glas	7 Hoch Kommunikationsdongle (optional, separat zu erwerben)
4 Probenküvetten, 1 cm (10 mL), Kunststoff	

Kapitel 3 Einlegen der Batterien

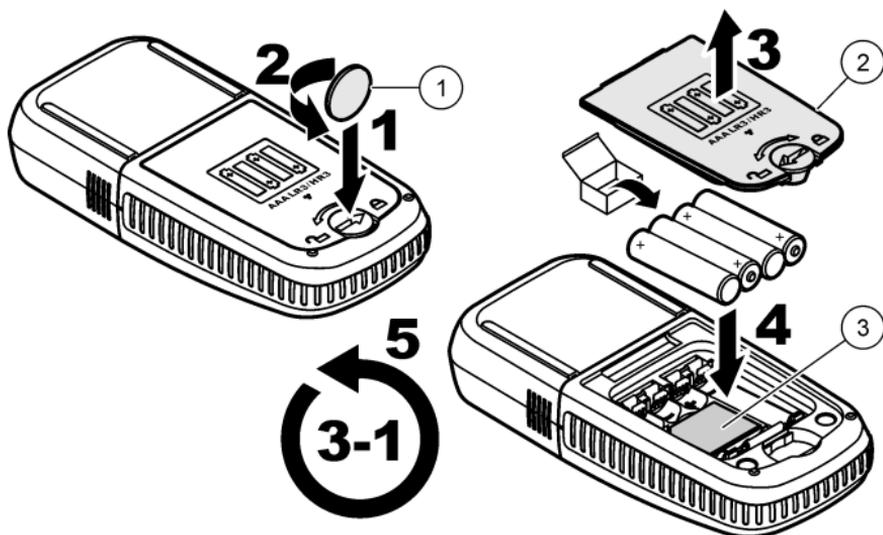
⚠ WARNUNG



Explosionsgefahr. Das unsachgemäße Einlegen von Batterien kann zur Freisetzung explosiver Gase führen. Vergewissern Sie sich, dass Sie Batterien mit dem zulässigen Chemikaliertyp verwenden und dass sie mit der korrekten Polung eingelegt wurden. Verwenden Sie nicht alte und neue Batterien zusammen.

Siehe [Abbildung 2](#) zum Einlegen der Batterien. Drücken Sie dann **⏻**, um das Gerät einzuschalten.

Abbildung 2 Einlegen der Batterien



1 Münze

2 Batteriefachabdeckung

3 Kunststoffeinsatz für Dongle²

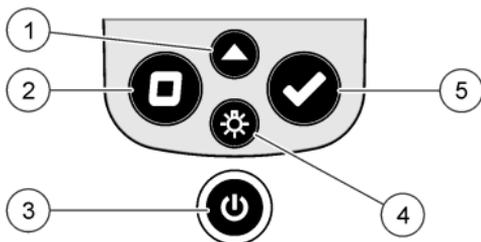
² Entfernen Sie den Kunststoffeinsatz nur, wenn Sie den Hach Kommunikationsdongle installieren möchten. Siehe die mit dem Dongle mitgelieferte Installationsanleitung.

Kapitel 4 Benutzerschnittstelle und Navigation

4.1 Beschreibung der Tastatur

Abbildung 3 zeigt das Tastenfeld und gibt die Tastenfunktionen an.

Abbildung 3 Tastatur

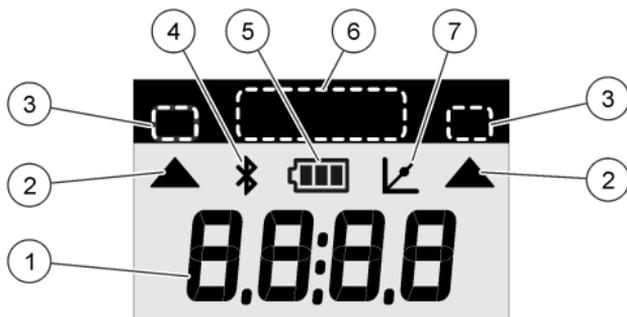


<p>1 Taste „Bereich“: zum Auswählen des Messbereichs (z. B. LR oder HR). Halten Sie die Taste 3 Sekunden lang gedrückt, um den Menümodus aufzurufen bzw. zu beenden. Im Menümodus: zum Blättern nach oben im Menü oder zum Erhöhen des Werts der ausgewählten Ziffer.</p>	<p>4 Taste für Hintergrundbeleuchtung: zum Ein- und Ausschalten der Hintergrundbeleuchtung. Im Menümodus: zum Blättern nach unten im Menü oder zum Verringern des Werts der ausgewählten Ziffer.</p>
<p>2 Taste „Nullstellung“: zum Festlegen des Nullwerts vor einer Messung. Im Menümodus: zum Zurückkehren zur nächsthöheren Menüebene oder zum Verschieben des Cursors zur vorhergehenden Ziffer.</p>	<p>5 Taste „Messen“: zum Start einer Probenmessung. Im Menümodus: zum Auswählen der angezeigten Menüoption oder zum Verschieben des Cursors zur nachfolgenden Ziffer.</p>
<p>3 Ein-/Aus-Taste: zum Ein- und Ausschalten des Geräts. Halten Sie die Taste 5 Sekunden lang gedrückt, um das Gerät zurückzusetzen. Die Kalibrierung wird nicht gelöscht.</p>	

4.2 Displaybeschreibung

Abbildung 4 enthält die auf dem Display angezeigten Werte und Symbole.

Abbildung 4 Anzeige



1 Numerische Anzeige: Messwerte oder Menüoptionen	5 Batteriesymbol: Zeigt den Ladezustand der Batterien an. Bei niedrigem Ladezustand der Batterien beginnt das Symbol zu blinken.
2 Symbol für Bereich: zeigt auf den ausgewählten Messbereich	6 Parameter und Messbereiche
3 Messbereiche oder Parameter	7 Symbol für „Kalibrierung angepasst“: Die werkseitige Kalibrierung wurde angepasst, oder es wurde eine benutzerdefinierte Kalibrierkurve eingegeben.
4 Bluetooth®-Symbol: Bluetooth® ist aktiviert ³ .	

Kapitel 5 Einstellen der Uhrzeit

Stellen Sie die Uhrzeit ein (24-Stunden-Format).

1. Halten Sie ▲ 3 Sekunden lang gedrückt, um den Menümodus aufzurufen.

³ Wird angezeigt, wenn der Hoch Kommunikationsdongle installiert ist.

Die Uhrzeit (oder 00:00) wird angezeigt.

2. Drücken Sie ✓, um die Uhrzeit einzustellen.
3. Drücken Sie ▲ oder ☼, um die Zahl zu ändern, die blinkt. Drücken Sie ✓, um zur nächsten Ziffer zu wechseln. Drücken Sie ▣, um zur vorherigen Ziffer zu wechseln.

Kapitel 6 Durchführen eines Tests

⚠ GEFÄHR



Chemische und biologische Risiken. Wird das Gerät dazu verwendet, ein Verfahren und/oder eine chemische Zuleitung zu überwachen, für das vorgeschriebene Grenzwerte und Überwachungsvorschriften im Bereich der öffentlichen Sicherheit, der Gesundheit oder im Bereich der Lebensmittel- oder Getränkeherstellung bestimmt wurden, so unterliegt es der Verantwortung des Benutzers des Geräts, alle solche Bestimmungen zu kennen und diese einzuhalten und für ausreichende und entsprechende Vorsorgemaßnahmen zur Einhaltung der für den Fall einer Fehlfunktion des Geräts bestehenden Bestimmung zu sorgen.

⚠ GEFÄHR



Gefahr von Kontakt mit Chemikalien. Halten Sie sich an die Sicherheitsmaßnahmen im Labor, und tragen Sie Schutzkleidung entsprechend den Chemikalien, mit denen Sie arbeiten. Beachten Sie die Sicherheitsprotokolle in den aktuellen Material Sicherheitsdatenblättern (MSDS/SDB).

⚠ VORSICHT



Gefahr durch Kontakt mit Chemikalien. Entsorgen Sie Chemikalien und Abfälle gemäß lokalen, regionalen und nationalen Vorschriften.

Im Folgenden sind die allgemeinen Schritte zur Durchführung eines Tests aufgeführt.

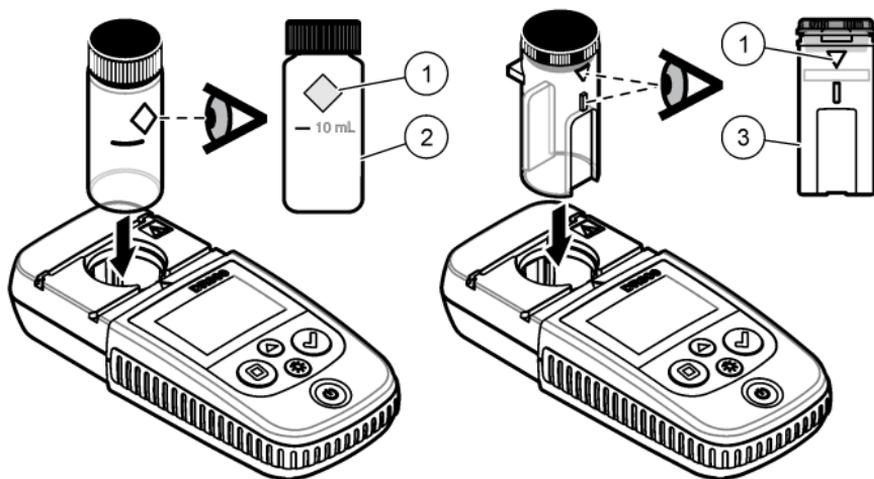
Um einen Test für einen bestimmten Parameter (z. B. Chlor) durchzuführen, laden Sie das Testverfahren von der Website des Herstellers herunter. Siehe [Herunterladen eines Testverfahrens](#) auf Seite 36.

1. Drücken Sie ▲, um den entsprechenden Messbereich auszuwählen (z. B. LR oder HR).
2. Bereiten Sie die Blindlösung vor. Gehen Sie gemäß dem Testverfahren vor.
3. Reinigen Sie die Probenküvette mithilfe eines fusselfreien Tuchs.
4. Setzen Sie die Küvette mit der Blindlösung in den Küvettenhalter ein. Achten Sie darauf, die Blindküvette immer korrekt und in der gleichen Ausrichtung einzusetzen, um genaue und reproduzierbare Ergebnisse zu erhalten. Siehe [Abbildung 5](#).
5. Bringen Sie die Geräteabdeckkappe über dem Küvettenhalter an. Siehe [Abbildung 6](#).
6. Drücken Sie □, um den Nullwert auf dem Gerät einzustellen.
7. Entnehmen Sie die Blindküvette.
8. Bereiten Sie die Probe vor. Gehen Sie gemäß dem Testverfahren vor.
9. Reinigen Sie die Probenküvette mithilfe eines fusselfreien Tuchs.
10. Setzen Sie die Probenküvette in den Küvettenhalter ein. Achten Sie darauf, die Probenküvette immer korrekt und in der gleichen Ausrichtung einzusetzen, um genaue und reproduzierbare Ergebnisse zu erhalten. Siehe [Abbildung 5](#).
11. Bringen Sie die Geräteabdeckkappe über dem Küvettenhalter an. Siehe [Abbildung 6](#).
12. Drücken Sie ✓. Auf dem Display werden die Ergebnisse in Konzentrationseinheiten oder Absorbanz angezeigt.
Hinweis: Das Ergebnis blinkt, wenn das Ergebnis unter oder über dem zulässigen Bereich des Geräts liegt.
13. Entnehmen Sie die Probenküvette aus dem Küvettenhalter.

14. Leeren und spülen Sie die Küvette unmittelbar. Spülen Sie Probenküvette und Kappe drei Mal mit entionisiertem (oder destilliertem) Wasser.

Hinweis: Wenn die gemessenen Proben eine höhere Konzentration als Leitungswasser aufweisen, können Sie alternativ Leitungswasser verwenden, um die Probenküvette zu spülen.

Abbildung 5 Küvettenausrichtung



1 Ausrichtungs-Markierung⁴

2 Küvette, 25 mm (10 mL), Glas⁵

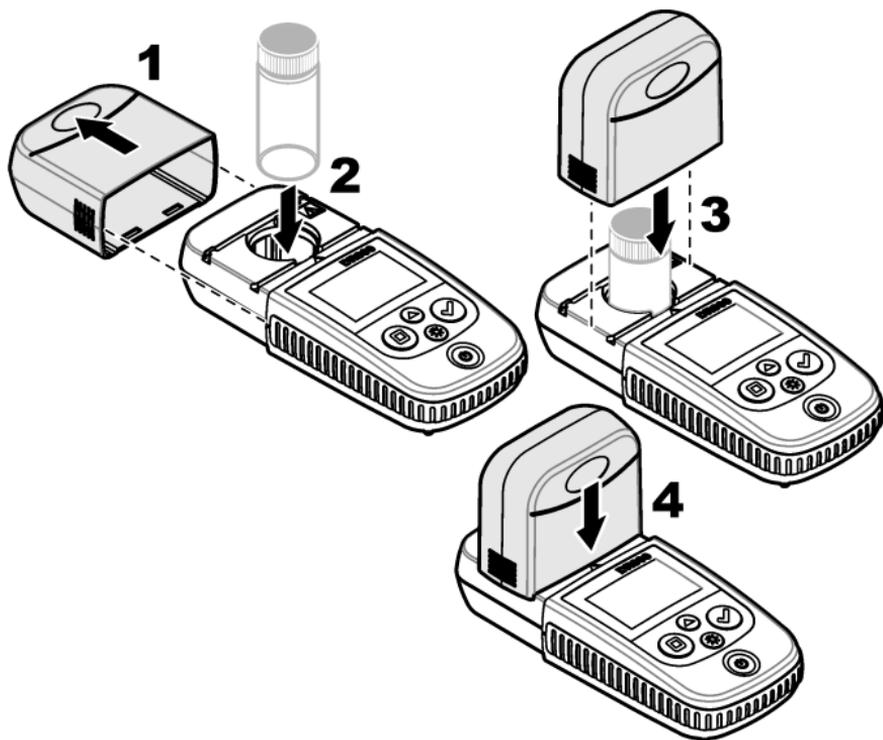
3 Küvette, 1 cm (10 mL), Kunststoff⁶

⁴ Einige Varianten des Gerätes haben Probenküvetten ohne Ausrichtungs-Markierung.

⁵ Verwenden Sie für Tests im niedrigen Chlor-Testbereich die Probenküvette aus Glas.

⁶ Verwenden Sie für Tests im hohen Chlor-Testbereich die Probenküvette aus Kunststoff.

Abbildung 6 Anbringen der Geräteabdeckkappe über dem Küvettenhalter



6.1 Herunterladen eines Testverfahrens

1. Gehen Sie zu <http://www.hach.com>.
2. Geben Sie in das Feld „Suchbegriffe“ „DR300“ ein.
3. Wählen Sie links im Feld "Art der Suche" die Option "Downloads".
4. Blättern Sie nach unten zu „Methoden/Arbeitsanleitungen“.
5. Klicken Sie auf den Link für das entsprechende Testverfahren, um das Verfahren herunterzuladen.

Kapitel 7 Anzeigen von Messungen

Hinweis: Das Gerät kann maximal 50 Messungen speichern. Nachdem 50 Messungen durchgeführt wurden, werden die ältesten Messungen durch die neuen Messungen überschrieben.

1. Halten Sie ▲ 3 Sekunden gedrückt.
2. Drücken Sie ▲, bis „rCL“ (Wiederaufruf) angezeigt wird, und drücken Sie anschließend ✓.
„– 01 –“ wird angezeigt. Die Messung 01 ist die zuletzt vorgenommene Messung.
3. Drücken Sie ✓, um vorwärts zu blättern.
Es wird die Nummer der Messung, gefolgt von Messwert und Uhrzeit, angezeigt.
4. Um zu einer Messung einer bestimmten Nummer zu wechseln, drücken Sie ✓, bis eine Messungsnummer angezeigt wird, und drücken Sie dann ▲ oder ☼.
Hinweis: Das Löschen von Messungen ist nicht möglich.
5. Halten Sie ▲ 3 Sekunden lang gedrückt, um zum Messmodus zurückzukehren.

Kapitel 8 Kalibrierung

Dieses Gerät wird werkseitig kalibriert. Eine Kalibrierung durch den Benutzer ist nicht erforderlich.

8.1 Anpassung der Standard-Kalibrierung

Wenn eine Kalibrierung aufgrund von gesetzlichen Vorgaben und Bestimmungen angepasst werden muss, verwenden Sie die Option „SCA“ (Standard Calibration Adjust, Anpassung der Standard-Kalibrierung). Mithilfe der Option „SCA“ kann die werkseitige Kalibrierung geringfügig angepasst werden, sodass das Gerät den erwarteten Wert der Standardlösung anzeigt. Die angepasste Kalibrierung wird dann für alle Testergebnisse verwendet. Durch diese Anpassung kann bei Auftreten geringfügiger Variationen bei Reagenzien oder Messgeräten die Genauigkeit der Tests erhöht werden.

Hinweis: Wenn eine benutzerdefinierte Kalibrierung in das Gerät eingegeben wurde, ist bei Geräten mit werkseitig kalibrierten Messbereichen oder -methoden die Funktion zur Anpassung der Standard-Kalibrierung (SCA) deaktiviert. Um die Funktion „SCA“ wieder zu aktivieren, setzen Sie das Gerät auf die werkseitige

Standard-Kalibrierung zurück. Siehe [Zurücksetzen der Standard-Kalibrierung auf die Werkseinstellung](#) auf Seite 43.

8.1.1 Vornehmen einer Anpassung der Standard-Kalibrierung

1. Führen Sie das Testverfahren für den zu kalibrierenden Bereich durch. Verwenden Sie für die Probe die in der Dokumentation des Testverfahrens angegebene Konzentration der Standardlösung.

Hinweis: Wenn in der Dokumentation des Testverfahrens keine Konzentration für die Standardlösung angegeben ist, kann ein anderer bekannter Standard verwendet werden.

2. Wenn das Testverfahren abgeschlossen ist, halten Sie ▲ 3 Sekunden lang gedrückt.
3. Drücken Sie ▲, bis „SCA“ (Anpassung Standard-Kalibrierung) angezeigt wird, und drücken Sie anschließend ✓.
Auf dem Display wird der Wert für die Anpassung der Standard-Kalibrierung angezeigt.
4. Wenn ein anderer bekannter Standard verwendet wird, geben Sie den Wert für den Standard ein:

- a. Drücken Sie ▲, bis „Edit“ (Bearbeiten) angezeigt wird, und drücken Sie anschließend ✓.
- b. Geben Sie den Wert für den Standard ein.

Drücken Sie ▲ oder ☼, um die Zahl zu ändern, die blinkt.

Drücken Sie ✓, um zur nächsten Ziffer zu wechseln. Drücken Sie □, um zur vorherigen Ziffer zu wechseln.

5. Drücken Sie ✓, um den Wert für die Standard-Kalibrierungsanpassung zu den werkseitigen Kalibrierkurven hinzuzufügen.

8.1.2 Deaktivieren der Anpassung der Standard-Kalibrierung

Um wieder die werkseitige Standard-Kalibrierung zu verwenden, schalten Sie die Anpassung der Standard-Kalibrierung (SCA) aus.

1. Halten Sie ▲ 3 Sekunden lang gedrückt, um den Menümodus aufzurufen.
2. Drücken Sie ▲, bis „SCA“ (Anpassung Standard-Kalibrierung) angezeigt wird, und drücken Sie anschließend ✓.
3. Drücken Sie ▲, bis „OFF“ (AUS) angezeigt wird, und drücken Sie anschließend ✓.

Hinweis: Um die SCA-Funktion wieder einzuschalten, nehmen Sie eine Anpassung der Standard-Kalibrierung vor.

8.2 Benutzerdefinierte Kalibrierkurve

Für dieses Messgerät sind benutzerdefinierte Kalibrierkurven zulässig. Die Kalibrierkurve kann einen Absorbanzbereich von 0 bis 2,5 umfassen. Stellen Sie sicher, dass die Kalibrierkurve auch Standardwerte enthält, die sich unter und über dem gewünschten Bereich befinden.

Der Messbereich ist mit dem Kalibrierbereich identisch. Wenn beispielsweise Standards mit den Werten 1,00, 2,00 und 4,00 verwendet werden, reicht der Messbereich des Geräts von 1,00 bis 4,00.

Eine benutzerdefinierte Kalibrierkurve kann auf zwei Arten eingegeben werden:

- **Eingeben einer Kalibrierkurve mit Standards:** Die Werte der Standardlösung werden mit dem Tastenfeld eingegeben, die Absorbanzwerte werden gemessen.
- **Eingeben einer Kalibrierkurve mit dem Tastenfeld:** Die Werte der Standardlösung und die Absorbanzwerte werden mit dem Tastenfeld eingegeben.

Hinweis: Wenn das Messgerät ausgeschaltet oder die Stromversorgung getrennt wird, bevor eine benutzerdefinierte Kalibrierkurve fertig eingegeben wurde, wird die Kalibrierkurve nicht gespeichert. Das Gerät schaltet sich im Eingabemodus für benutzerdefinierte Kalibrierkurven nach 60 Minuten ohne Aktivität automatisch aus. Die Eingabe einer benutzerdefinierten Kalibrierkurve wird abgeschlossen, wenn der Benutzer den Kalibriermodus (CAL) oder Bearbeitungsmodus verlässt.

8.2.1 Eingeben einer Kalibrierkurve mit Standards

▲ **WARNUNG**



Gefahr von Kontakt mit Chemikalien. Halten Sie sich an die Sicherheitsmaßnahmen im Labor, und tragen Sie Schutzkleidung entsprechend den Chemikalien, mit denen Sie arbeiten. Beachten Sie die Sicherheitsprotokolle in den aktuellen Material Sicherheitsdatenblättern (MSDS/SDB).

▲ **VORSICHT**



Gefahr durch Kontakt mit Chemikalien. Entsorgen Sie Chemikalien und Abfälle gemäß lokalen, regionalen und nationalen Vorschriften.

Hinweis: Als Alternative kann entionisiertes Wasser als Blindlösung verwendet werden, es sei denn, die Probe ist erheblich trüber oder farbstärker als entionisiertes Wasser.

1. Drücken Sie ▲, um das Gerät auf den zu kalibrierenden Bereich einzustellen (z. B. LR oder HR).
2. Bereiten Sie die Blindlösung vor. Gehen Sie gemäß dem Testverfahren vor.
3. Reinigen Sie die Probenküvette mithilfe eines fusselfreien Tuchs.
4. Stellen Sie das Messgerät auf Null.
 - a. Setzen Sie die Küvette mit der Blindlösung in den Küvettenhalter ein.
 - b. Bringen Sie die Geräteabdeckkappe über dem Küvettenhalter an.
 - c. Drücken Sie □. Das Display zeigt „- - -“ und anschließend „0.00“ an.
5. Halten Sie ▲ 3 Sekunden lang gedrückt, um den Menümodus aufzurufen.
6. Drücken Sie ▲, bis „USER“ (Benutzer) angezeigt wird, und drücken Sie anschließend ✓.
7. Drücken Sie ▲, bis „CAL“ (Kalibrieren) angezeigt wird, und drücken Sie anschließend ✓.

8. Wenn „S0“ auf dem Display angezeigt wird, drücken Sie ✓.
9. Geben Sie 00.00 (oder 000.0) für den Blindwert ein.
Drücken Sie ▲ oder ☼, um die Zahl zu ändern, die blinkt. Drücken Sie ✓, um zur nächsten Ziffer zu wechseln. Drücken Sie □, um zur vorherigen Ziffer zu wechseln.
10. Wenn „A0“ auf dem Display angezeigt wird, messen Sie die Extinktion der Blindlösung. Drücken Sie dazu ✓.
Das Display zeigt den Extinktionswert für „S0“ an.
11. Entnehmen Sie die Probenküvette aus dem Küvettenhalter.
12. Bereiten Sie die Probe vor. Gehen Sie gemäß dem Testverfahren vor. Verwenden Sie für die Probe die in der Dokumentation des Testverfahrens angegebene Konzentration der Standardlösung.
13. Reinigen Sie die Probenküvette mithilfe eines fusselfreien Tuchs.
14. Drücken Sie ☼, um „S1“ (oder „Add“) anzuzeigen, und drücken Sie dann ✓.
15. Geben Sie den Konzentrationswert des ersten Kalibrierstandards ein, und drücken Sie dann ✓.
16. Wenn „A1“ auf dem Display angezeigt wird, führen Sie die folgenden Schritte aus, um die Extinktion zu messen:
 - a. Setzen Sie die Küvette mit der reagierten Standardprobe in den Küvettenhalter ein.
 - b. Bringen Sie die Geräteabdeckkappe über dem Küvettenhalter an.
 - c. Drücken Sie ✓. Das Display zeigt die Extinktion für „S1“ an.
17. Die Kalibrierung ist mit zwei Kalibrierpunkten abgeschlossen. Gehen Sie wie folgt vor, falls zusätzliche Standards für die Kalibrierung erforderlich sind:
Führen Sie die Schritte 11 bis 16 erneut aus, um weitere Kalibrierstandards zu messen.
18. Entnehmen Sie die Probenküvette aus dem Küvettenhalter.
19. Leeren und spülen Sie die Küvette unmittelbar. Spülen Sie Probenküvette und Kappe drei Mal mit entionisiertem (oder destilliertem) Wasser.

Hinweis: Wenn die Konzentration des Parameters im Leitungswasser geringer ist als die Konzentration in der gemessenen Probe, kann als

Alternative Leitungswasser zum Spülen der Probenküvette verwendet werden.

20. Halten Sie **▲** 3 Sekunden lang gedrückt, um zum Messmodus zurückzukehren.

8.2.2 Eingeben einer Kalibrierkurve mit dem Tastenfeld

Es sind mindestens zwei Datenpaare erforderlich, um eine benutzerdefinierte Kalibrierkurve einzugeben. Für jedes Datenpaar sind ein Konzentrationswert und der Absorbanzwert für die angegebene Konzentration erforderlich. Es können maximal 10 Datenpaare eingegeben werden.

1. Drücken Sie **▲**, um das Gerät auf den zu kalibrierenden Bereich einzustellen (z. B. LR oder HR).
2. Halten Sie **▲** 3 Sekunden lang gedrückt, um den Menümodus aufzurufen.
3. Drücken Sie **▲**, bis „USER“ (Benutzer) angezeigt wird, und drücken Sie anschließend **✓**.
4. Drücken Sie **▲**, bis „Edit“ (Bearbeiten) angezeigt wird, und drücken Sie anschließend **✓**.
5. Wenn „S0“ auf dem Display angezeigt wird, drücken Sie **✓**.
6. Geben Sie das erste Datenpaar ein.
Das erste Datenpaar besteht aus „S0“ (Konzentrationswert) und „A0“ (Absorptionswert).
 - Drücken Sie **▲** oder **☼**, um die Zahl zu ändern, die blinkt.
 - Drücken Sie **✓**, um zur nächsten Ziffer zu wechseln.
 - Drücken Sie **◻**, um zur vorherigen Ziffer zu wechseln.
7. Wiederholen Sie die Schritte 5 und 6, um das zweite Datenpaar einzugeben (S1 und A1).
8. Die Kalibrierung ist mit zwei Datenpaaren abgeschlossen. Gehen Sie wie folgt vor, falls zusätzliche Datenpaare für die Kalibrierung erforderlich sind:
 - a. Wenn „Add“ (Hinzufügen) angezeigt wird, drücken Sie **✓**.

- b. Wiederholen Sie die Schritte 5 und 6, um weitere Datenpaare einzugeben.
9. Halten Sie **▲** 3 Sekunden lang gedrückt, um zum Messmodus zurückzukehren.

8.2.3 Zurücksetzen der Standard-Kalibrierung auf die Werkseinstellung

Um eine vom Benutzer eingegebene Kalibrierkurve aus dem Gerät zu löschen und wieder die werkseitige Kalibrierung zu verwenden, führen Sie die folgenden Schritte aus:

1. Halten Sie **▲** 3 Sekunden lang gedrückt, um den Menümodus aufzurufen.
2. Drücken Sie **▲**, bis „USER“ (Benutzer) angezeigt wird, und drücken Sie anschließend **✓**.
3. Drücken Sie **▲**, bis „dFL“ (Standardeinstellung) angezeigt wird, und drücken Sie anschließend **✓**.

Kapitel 9 Wartung

▲ VORSICHT



Mehrere Gefahren. Nur qualifiziertes Personal sollte die in diesem Kapitel des Dokuments beschriebenen Aufgaben durchführen.

ACHTUNG

Nehmen Sie das Gerät nicht zur Wartung auseinander. Falls eine Reinigung oder Instandsetzung von internen Bauteilen erforderlich ist, wenden Sie sich an den Hersteller.

9.1 Reinigung des Geräts

Reinigen Sie das Gerät außen mit einem feuchten Tuch und wischen Sie das Gerät anschließend nach Bedarf trocken.

9.2 Reinigen der Küvetten

▲ VORSICHT



Gefahr von Kontakt mit Chemikalien. Halten Sie sich an die Sicherheitsmaßnahmen im Labor, und tragen Sie Schutzkleidung entsprechend den Chemikalien, mit denen Sie arbeiten. Beachten Sie die Sicherheitsprotokolle in den aktuellen Material Sicherheitsdatenblättern (MSDS/SDB).



▲ VORSICHT



Gefahr durch Kontakt mit Chemikalien. Entsorgen Sie Chemikalien und Abfälle gemäß lokalen, regionalen und nationalen Vorschriften.

Die meisten Laborreinigungsmittel werden mit den empfohlenen Konzentrationen verwendet. Neutrale Reinigungsmittel wie Liquinox sind sicherer in der Anwendung, wenn eine regelmäßige Reinigung erforderlich ist. Um kürzere Reinigungszeiten zu erhalten, können Sie die Temperatur erhöhen oder ein Ultraschallbad verwenden. Spülen Sie die Küvetten zum Abschluss der Reinigung mehrmals mit entionisiertem Wasser und lassen Sie sie anschließend an der Luft trocknen.

Küvetten können auch mit Säure gereinigt werden und müssen dann gründlich mit entionisiertem Wasser gespült werden.

Hinweis: Reinigen Sie Küvetten, die für Metalltests mit niedrigen Konzentrationen verwendet wurden, immer mit Säure.

Für individuelle Verfahren sind spezielle Reinigungsmethoden erforderlich. Wenn die Küvetten mit einer Bürste gereinigt werden, achten Sie darauf, die Innenseiten der Küvetten nicht zu verkratzen.

9.3 Auswechseln der Batterien

Wechseln Sie die Batterien aus, wenn der Batterieladestand niedrig ist. Siehe [Einlegen der Batterien](#) auf Seite 30.

Kapitel 10 Fehlersuche und -behebung

Fehler	Beschreibung	Lösung
E-00	Kein Nullwert	Im Benutzerkalibriermodus wurde eine Standardlösung gemessen, bevor auf dem Gerät eine Nullstellung durchgeführt wurde. Messen Sie eine Blindlösung, um das Gerät auf Null zu stellen.
E-01	Umgebungslicht-Fehler ⁷	Umgebungslicht gelangt in den Küvettenhalter. Stellen Sie sicher, dass die Geräteabdeckkappe ordnungsgemäß auf dem Küvettenhalter angebracht wurde. Siehe Durchführen eines Tests auf Seite 33.
E-02	LED-Fehler ⁷	Die LED (Lichtquelle) funktioniert nicht ordnungsgemäß. Wechseln Sie die Batterien. Stellen Sie sicher, dass die LED im Küvettenhalter tatsächlich leuchtet, wenn Sie <input checked="" type="checkbox"/> oder <input type="checkbox"/> drücken.

⁷ Wenn ein E-01- oder E-02-Fehler bei einer Messung auftritt, wird auf dem Display „_._.“. Die Platzierung des Dezimaltrennzeichens hängt von der Chemie ab. Wenn der E-01- oder E-02-Fehler auftritt, während auf dem Messgerät eine Nullstellung durchgeführt wird, wiederholen Sie die Nullstellung.

Fehler	Beschreibung	Lösung
E-03	Standardanpassungs-Fehler	<ul style="list-style-type: none"> • Der Messwert der Standardlösung liegt außerhalb der zulässigen Grenzwerte. Bereiten Sie einen neuen Standard vor. • Die Standardlösung befindet sich nicht in dem für die Standard-Kalibrierung zulässigen Konzentrationsbereich. Bereiten Sie eine Standardlösung vor, deren Wert innerhalb oder nahe der für das Verfahren empfohlenen Konzentrationen liegt. • Stellen Sie sicher, dass die Konzentration der Standardlösung richtig eingegeben wird.
Messwert blinkt, gefolgt von E-04	Der Messwert liegt außerhalb des zulässigen Bereichs des Geräts. ⁸	Wenn der Messwert unter dem Bereich des Geräts liegt, stellen Sie sicher, dass die Geräteabdeckkappe ordnungsgemäß auf dem Küvettenhalter angebracht ist. Messen Sie eine Blindlösung. Wenn der Messwert der Blindlösung nicht Null ist, führen Sie erneut eine Nullstellung auf dem Gerät durch.
		Wenn der Messwert über dem Bereich des Geräts liegt, prüfen Sie, ob Licht im Küvettenhalter blockiert wird. Verdünnen Sie die Probe. Führen Sie den Test erneut durch.
E-06	Extinktionsfehler	Der Extinktionswert ist falsch oder die benutzerdefinierte Kalibrierkurve verfügt über weniger als zwei Punkte. Geben Sie den Extinktionswert erneut ein bzw. messen Sie ihn erneut.

⁸ Der blinkende Wert liegt 10 % über der oberen Messbereichsgrenze.

Fehler	Beschreibung	Lösung
E-07	Standardwerte-Fehler	Die Konzentration der Standardlösung ist gleich der Konzentration einer anderen Standardlösung, die bereits für die benutzerdefinierte Kalibrierkurve eingegeben wurde. Geben Sie die richtige Standardkonzentration ein.
E-09	Speicherfehler	Das Messgerät kann keine Daten speichern. Halten Sie  5 Sekunden lang gedrückt, um das Gerät zurückzusetzen.
E-10	Umgebungstemperatur zu hoch oder zu niedrig	Die Umgebungstemperatur liegt außerhalb des Bereichs. Verwenden Sie das Gerät nur unter den beschriebenen Betriebsbedingungen. Siehe Technische Daten auf Seite 25.
E-12	Schwache Batterieleistung	Batterieleistung ist zu schwach. Wechseln Sie die Batterien. Siehe Einlegen der Batterien auf Seite 30.
E-13	Ladenfehler Parameter	Der Speicher des Geräts ist defekt. Wenden Sie sich an den technischen Support.
E-14 gefolgt von "._.____" oder "0", wenn keine Null vorhanden war	Nullmessung ungültig	Die Nullmessung ist zu niedrig. Verwenden Sie eine Probenküvette mit Wasser, und versuchen Sie es erneut. Wenn der Fehler weiterhin besteht, wenden Sie sich an den technischen Support.
E-15 gefolgt von "._.____"	Extinktion zu hoch	Prüfen Sie, ob eine Lichtblockade im Küvettenhalter vorliegt. Reinigen Sie den Küvettenhalter. Verdünnen Sie die Probe. Führen Sie den Test erneut durch. Hinweis: Dieses Gerät kann keine Extinktionswerte über 3,5 Abs lesen.

Fehler	Beschreibung	Lösung
E-20	Signalmessung außerhalb des Bereichs	Zu viel Licht am Lichtdetektor. Stellen Sie sicher, dass die Geräteabdeckkappe ordnungsgemäß auf dem Küvettenhalter angebracht wurde. Führen Sie den Test erneut durch. Wenn der Fehler weiterhin besteht, wenden Sie sich an den technischen Support.
E-21	Signalmessung instabil	Am Lichtdetektor liegt ein instabiles Signal vor. Das Umgebungslicht ist zu stark oder instabil. Stellen Sie sicher, dass die Geräteabdeckkappe ordnungsgemäß auf dem Küvettenhalter angebracht wurde. Führen Sie den Test erneut durch. Wenn der Fehler weiterhin besteht, wenden Sie sich an den technischen Support.
E-22	Hardware-Fehler	Das Elektroniksystem ist defekt. Wenden Sie sich an den technischen Support.

Die folgenden Fehler können unmittelbar nach einer Aktualisierung des Geräts auftreten.

Fehler	Beschreibung	Lösung
E-30	Keine Anwendung	Während der Aktualisierung der Anwendung ist ein Fehler aufgetreten. Es wurde keine gültige Anwendung auf dem Gerät gefunden. Aktualisieren Sie das Gerät erneut.
E31	Bootloader-Aktualisierung fehlgeschlagen	Während der Übertragung der Bootloader-Aktualisierung ist ein Fehler aufgetreten. Aktualisieren Sie den Bootloader erneut.
E-32	Aktualisierung der Anwendung fehlgeschlagen	Während der Übertragung der Anwendungsaktualisierung ist ein Fehler aufgetreten. Aktualisieren Sie das Gerät erneut.
E-66	Aktualisierung fehlgeschlagen	Das Gerät ist defekt. Wenden Sie sich an den technischen Support.

Kapitel 11 Ersatzteile und Zubehör

▲ **WARNUNG**



Verletzungsgefahr. Die Verwendung nicht zugelassener Teile kann zur Verletzung von Personen, zu Schäden am Messgerät oder zu Fehlfunktionen der Ausrüstung führen. Die Ersatzteile in diesem Abschnitt sind vom Hersteller zugelassen.

Hinweis: Produkt- und Artikelnummern können für einige Verkaufsgebiete abweichen. Wenden Sie sich an die zuständige Vertriebsgesellschaft oder an die auf der Webseite des Unternehmens aufgeführten Kontaktinformationen.

Ersatzteile

Beschreibung	Menge	Teile-Nr.
AAA-Alkalibatterien	4/Packung	4674300
Geräteabdeckkappe	1	LPZ445.99.00006
Batteriefachabdeckung	1	LPZ445.99.00007
Probenküvette, 25 mm (10 mL), Glas	6/Packung	2427606
Probenküvette, 1 cm (10 mL), Kunststoff	2/Packung	4864302

Zubehör

Beschreibung	Menge	Teile-Nr.
Hach Kommunikationsdongle	1	LPV446.99.00012
Gepolsterte Tasche/Holster	1	5953100

Table des matières

- | | | | |
|---|-------------------------------------|----|-----------------------------------|
| 1 | Caractéristiques techniques | 7 | Affichage des mesures |
| | à la page 50 | | à la page 63 |
| 2 | Généralités | 8 | Etalonnage |
| | à la page 51 | | à la page 63 |
| 3 | Installation des piles | 9 | Maintenance |
| | à la page 55 | | à la page 68 |
| 4 | Interface utilisateur et navigation | 10 | Dépannage |
| | à la page 56 | | à la page 70 |
| 5 | Réglage de l'heure | 11 | Pièces de rechange et accessoires |
| | à la page 58 | | à la page 73 |
| 6 | Exécution d'un test | | |
| | à la page 59 | | |

Section 1 Caractéristiques techniques

Ces caractéristiques sont susceptibles d'être modifiées sans avis préalable.

Caractéristique	Détails
Dimensions (L x H x P)	6,9 x 15,7 x 3,4 cm (2,7 x 6,2 x 1,3 pouces)
Boîtier	IP67, étanche à 1 m (3,3 pieds) pendant 30 minutes si le compartiment des piles est fermé et verrouillé.
Source de lumière	Diode électroluminescente (DEL)
Détecteur	Photodiode au silicium
Ecran	Ecran LCD avec rétroéclairage
Poids	0,25 kg (0,55 lb)
Alimentation électrique	4 piles AAA ; durée de vie permettant environ 5 000 tests (l'utilisation du rétroéclairage diminue cette durée) L'utilisation de piles rechargeables est déconseillée.
Environnement d'exploitation	0 à 50 °C (32 à 122 °F) ; 0 à 90% d'humidité relative sans condensation
Température de stockage	-20 à 55 °C (-4 à 131 °F) ; 0 à 80 % d'humidité relative sans condensation
Longueur d'onde	Longueur d'onde fixe de ± 2 nm, différente pour chaque modèle
Largeur de bande de filtre	15 nm

Caractéristique	Détails
Plage d'absorbance	0 à 2,5 Abs
Cuve à échantillon	25 mm (10 mL) et 1 cm (10 mL)
Stockage des données	50 dernières mesures
Bluetooth® ¹	Le Bluetooth® est activé lorsque le dongle de communication Hach en option est installé.
Certifications	CE
Garantie	1 an (UE : 2 ans)

Section 2 Généralités

En aucun cas le constructeur ne saurait être responsable des dommages directs, indirects, spéciaux, accessoires ou consécutifs résultant d'un défaut ou d'une omission dans ce manuel. Le constructeur se réserve le droit d'apporter des modifications à ce manuel et aux produits décrits, à tout moment, sans avertissement ni obligation. Les éditions révisées se trouvent sur le site Internet du fabricant.

2.1 Consignes de sécurité

Le fabricant décline toute responsabilité quant aux dégâts liés à une application ou un usage inappropriés de ce produit, y compris, sans toutefois s'y limiter, des dommages directs ou indirects, ainsi que des dommages consécutifs, et rejette toute responsabilité quant à ces dommages dans la mesure où la loi applicable le permet. L'utilisateur est seul responsable de la vérification des risques d'application critiques et de la mise en place de mécanismes de protection des processus en cas de défaillance de l'équipement.

Veuillez lire l'ensemble du manuel avant le déballage, la configuration ou la mise en fonctionnement de cet appareil. Respectez toutes les déclarations de prudence et d'attention. Le non-respect de cette procédure peut conduire à des blessures graves de l'opérateur ou à des dégâts sur le matériel.

¹ La marque et les logos Bluetooth® sont des marques déposées appartenant à Bluetooth SIG, Inc. et toute utilisation de ces marques par HACH est sous licence.

Assurez-vous que la protection fournie avec cet appareil n'est pas défaillante. N'utilisez ni n'installez cet appareil d'une façon différente de celle décrite dans ce manuel.

2.1.1 Informations sur les risques d'utilisation

▲ DANGER

Indique une situation de danger potentiel ou imminent qui, si elle n'est pas évitée, entraîne des blessures graves, voire mortelles.

▲ AVERTISSEMENT

Indique une situation de danger potentiel ou imminent qui, si elle n'est pas évitée, peut entraîner des blessures graves, voire mortelles.

▲ ATTENTION

Indique une situation de danger potentiel qui peut entraîner des blessures mineures ou légères.

AVIS

Indique une situation qui, si elle n'est pas évitée, peut occasionner l'endommagement du matériel. Informations nécessitant une attention particulière.

2.1.2 Etiquettes de mise en garde

Lisez toutes les informations et toutes les étiquettes apposées sur l'appareil. Des personnes peuvent se blesser et le matériel peut être endommagé si ces instructions ne sont pas respectées. Tout symbole sur l'appareil renvoie à une instruction de mise en garde dans le manuel.



Si l'appareil comporte ce symbole, reportez-vous au manuel d'instructions pour consulter les informations de fonctionnement et de sécurité.



Le matériel électrique portant ce symbole ne doit pas être mis au rebut dans les réseaux domestiques ou publics européens. Retournez le matériel utilisé ou en fin de vie au fabricant pour une mise au rebut sans frais pour l'utilisateur.

2.1.3 Certification

Réglementation canadienne sur les équipements radio provoquant des interférences, IECS-003, Classe B

Les données d'essai correspondantes sont conservées chez le constructeur.

This Class B digital apparatus meets all requirements of the Canadian Interference-Causing Equipment Regulations.

Cet appareil numérique de classe B répond à toutes les exigences de la réglementation canadienne sur les équipements provoquant des interférences.

FCC chapitre 15, limitations de classe B

Les données d'essai correspondantes sont conservées chez le constructeur. L'appareil est conforme à la partie 15 de la réglementation FCC. Le fonctionnement est soumis aux conditions suivantes :

1. Cet équipement ne peut pas causer d'interférence nuisible.
2. Cet équipement doit accepter toutes les interférences reçues, y compris celles qui pourraient entraîner un fonctionnement inattendu.

Les modifications de cet équipement qui n'ont pas été expressément approuvées par le responsable de la conformité aux limites pourraient annuler l'autorité dont l'utilisateur dispose pour utiliser cet équipement. Cet équipement a été testé et respecte les limitations d'un appareil numérique de classe B, conformément au chapitre 15 de la réglementation FCC. Ces limites ont pour but de fournir une protection raisonnable contre les interférences néfastes lorsque l'équipement fonctionne dans un environnement commercial. Cet équipement génère, utilise et peut irradier l'énergie des fréquences radio et, s'il n'est pas installé ou utilisé conformément au mode d'emploi, il peut entraîner des interférences dangereuses pour les communications radio. Le fonctionnement de cet équipement dans une zone résidentielle risque de causer des interférences nuisibles, dans ce cas l'utilisateur doit corriger les interférences à ses frais. Les techniques ci-dessous peuvent permettre de réduire les problèmes d'interférences :

1. Eloigner l'équipement du dispositif qui reçoit l'interférence.
2. Repositionner l'antenne de réception du périphérique qui reçoit les interférences.
3. Essayer plusieurs des techniques ci-dessus à la fois.

2.2 Présentation du produit

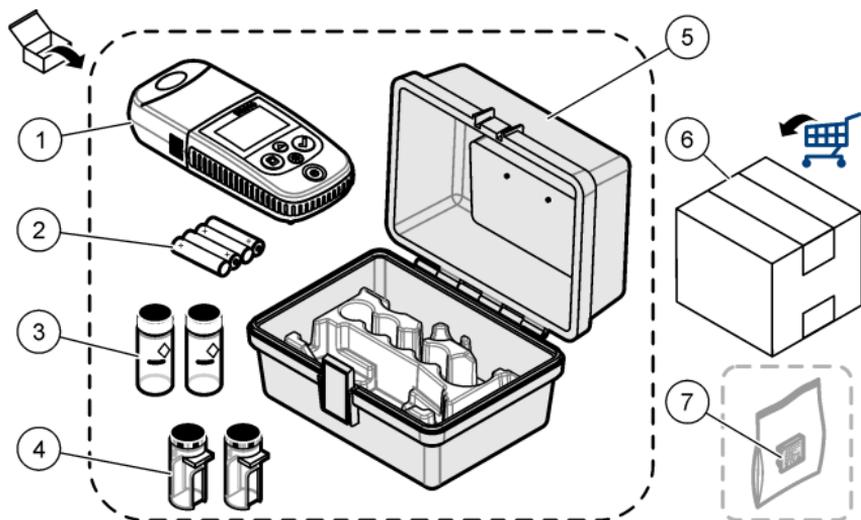
Cet instrument est un photomètre à filtre portatif utilisé pour l'analyse de l'eau.

Remarque : cet instrument n'a pas été testé pour la mesure de chlore et de chloramine dans les applications médicales aux Etats-Unis.

2.3 Composants du produit

Assurez-vous d'avoir bien reçu tous les composants. Reportez-vous à la [Figure 1](#). Si un élément est manquant ou endommagé, contactez immédiatement le fabricant ou un représentant. Par exemple, la [Figure 1](#) montre les pièces fournies avec le LPV445.99.00110. D'autres appareils sont fournis avec différents composants.

Figure 1 Composants du produit



1 DR300	5 Boîtier de stockage
2 Piles alcalines AAA	6 Réactifs
3 Cuves à échantillon, 25 mm (10 mL), en verre	7 Dongle de communication Hach(en option, fourni séparément)
4 Cuves à échantillon, 1 cm (10 mL), en plastique	

Section 3 Installation des piles

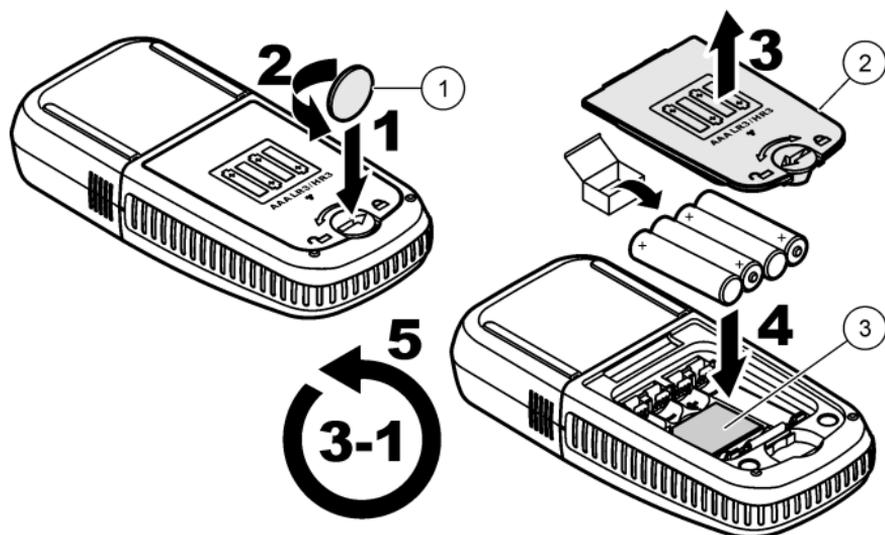
▲ AVERTISSEMENT



Risque d'explosion. Une installation incorrecte des piles peut libérer des gaz explosifs. Veillez à ce que les piles soient du même type chimique homologué et qu'elles soient insérées dans le bon sens. Ne mélangez pas des piles neuves et des piles usagées.

Reportez-vous à la [Figure 2](#) pour installer les piles. Appuyez ensuite sur  pour allumer l'instrument.

Figure 2 Installation des piles



1 Pièce de monnaie

2 Capot des piles

3 Cache en plastique pour dongle²

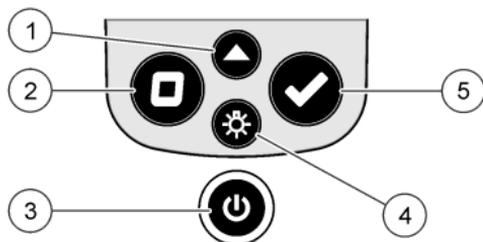
Section 4 Interface utilisateur et navigation

4.1 Description du clavier

La [Figure 3](#) illustre le clavier et fournit des indications sur les fonctions des boutons.

² Ne retirez le cache en plastique que pour installer le dongle de communication Hach. Reportez-vous aux instructions d'installation fournies avec le Dongle.

Figure 3 Clavier

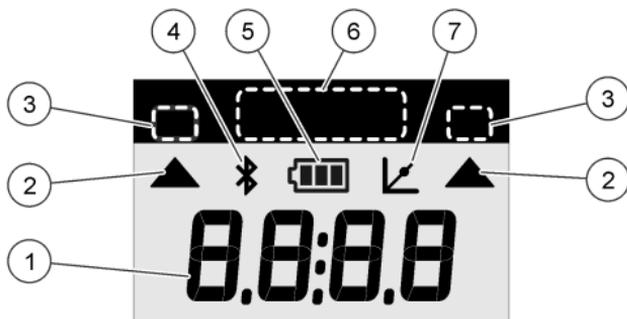


<p>1 Touche de plage : sélectionne la plage de mesure (p. ex., LR ou HR). Appuyez sur la touche pendant 3 secondes pour accéder au mode menu ou le quitter. En mode menu, fait défiler vers le haut ou augmente la valeur du chiffre sélectionné.</p>	<p>4 Touche de rétroéclairage : active et désactive le rétroéclairage. En mode menu, fait défiler vers le bas ou diminue la valeur du chiffre sélectionné.</p>
<p>2 Touche zéro : rétablit la valeur zéro avant une mesure. En mode menu, remonte d'un niveau de menu ou déplace le curseur sur le chiffre précédent.</p>	<p>5 Touche de lecture : lance une mesure d'échantillon. En mode menu, sélectionne l'option de menu ou déplace le curseur sur le chiffre suivant.</p>
<p>3 Touche d'alimentation : met l'instrument sous et hors tension. Maintenez la touche enfoncée pendant 5 secondes pour réinitialiser l'instrument. L'étalonnage n'est pas supprimé.</p>	

4.2 Description de l'affichage

La Figure 4 illustre les valeurs et icônes affichées à l'écran.

Figure 4 Ecran



1 Ecran numérique : valeur mesurée ou options de menu	5 Icône des piles : niveau de charge des piles. Clignote lorsque le niveau de charge des piles est faible.
2 Icône de plage : indique la plage de mesure sélectionnée	6 Paramètres et plages de mesure
3 Plages de mesure ou paramètres	7 Icône d'ajustement de l'étalonnage : l'étalonnage d'usine par défaut a été ajusté ou une courbe d'étalonnage utilisateur a été saisie.
4 Icône Bluetooth® : indique que le Bluetooth® est activé ³ .	

Section 5 Réglage de l'heure

Réglez l'heure (format 24 heures).

1. Appuyez sur ▲ et maintenez la touche enfoncée pendant 3 secondes pour accéder au mode menu.
L'heure s'affiche (ou 00:00).
2. Appuyez sur ✓ pour régler l'heure.
3. Appuyez sur ▲ ou sur ☼ pour modifier le numéro qui clignote. Appuyez sur ✓ pour accéder au chiffre suivant. Appuyez sur □ pour passer au chiffre précédent.

³ S'affiche lorsque le dongle de communication Hach est installé.

Section 6 Exécution d'un test

▲ DANGER



Dangers chimiques ou biologiques. Si cet instrument est utilisé pour la surveillance d'un procédé de traitement et/ou d'un système de dosage de réactifs chimiques auxquels s'appliquent des limites réglementaires et des normes de surveillance motivées par des préoccupations de santé et de sécurité publiques ou de fabrication et de transformation d'aliments ou de boissons, il est de la responsabilité de l'utilisateur de cet instrument qu'il connaisse et applique les normes en vigueur et qu'il ait à sa disposition suffisamment de mécanismes pour s'assurer du bon respect de ces normes dans l'éventualité d'un dysfonctionnement de l'appareil.

▲ DANGER



Risque d'exposition chimique. Respectez les procédures de sécurité du laboratoire et portez tous les équipements de protection personnelle adaptés aux produits chimiques que vous manipulez. Consultez les fiches de données de sécurité (MSDS/SDS) à jour pour connaître les protocoles de sécurité applicables.

▲ ATTENTION



Risque d'exposition chimique. Mettez au rebut les substances chimiques et les déchets conformément aux réglementations locales, régionales et nationales.

Étapes génériques pour exécuter un suivi de test.

Pour réaliser un test d'un paramètre spécifique (p. ex., le chlore), téléchargez la procédure de test sur le site Web du fabricant.

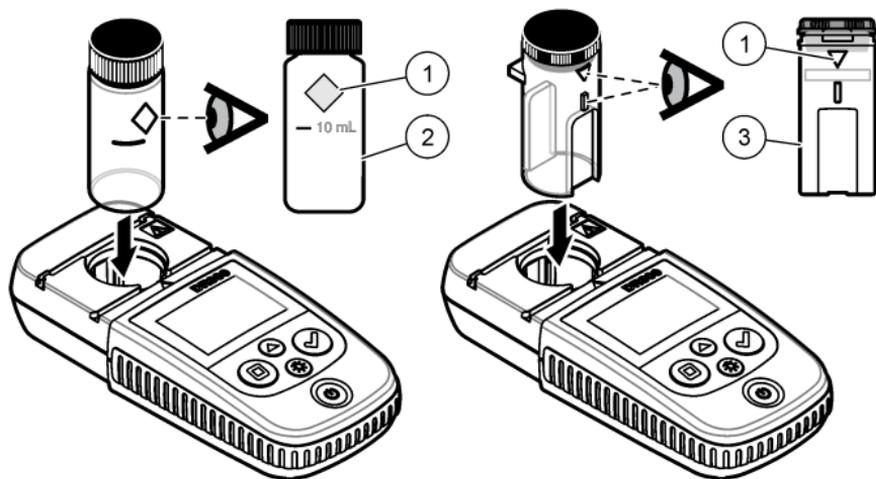
Reportez-vous à [Téléchargement d'une procédure de test](#) à la page 62.

1. Appuyez sur ▲ pour sélectionner la plage de mesure applicable (p. ex., LR ou HR).
2. Préparez le blanc. Reportez-vous à la procédure de test.
3. Nettoyez la cuve à échantillon à l'aide d'un chiffon non pelucheux.
4. Insérez la cuve à échantillon blanc dans le porte-cuve. Assurez-vous d'installer la cuve à échantillon blanc correctement et dans

une orientation toujours identique pour obtenir des résultats plus répétables et précis. Reportez-vous à la [Figure 5](#).

5. Placez le capuchon de l'instrument sur le porte-cuve. Reportez-vous à la [Figure 6](#).
6. Appuyez sur  pour étalonner le zéro de l'instrument.
7. Retirez la cuve à échantillon de blanc.
8. Préparez l'échantillon. Reportez-vous à la procédure de test.
9. Nettoyez la cuve à échantillon à l'aide d'un chiffon non pelucheux.
10. Insérez la cuve d'échantillon dans le porte-cuve. Assurez-vous d'installer la cuve à échantillon correctement et dans une orientation toujours identique pour obtenir des résultats plus répétables et précis. Reportez-vous à la [Figure 5](#).
11. Placez le capuchon de l'instrument sur le porte-cuve. Reportez-vous à la [Figure 6](#).
12. Appuyez sur . L'écran affiche les résultats en termes d'unités de concentration ou d'absorbance.
Remarque : le résultat clignote si celui-ci est inférieur ou supérieur à la plage de l'instrument.
13. Retirez la cuve à échantillon du porte-cuve.
14. Videz et rincez immédiatement la cuve à échantillon. Rincez trois fois la cuve à échantillon et le capuchon avec de l'eau déionisée (ou de l'eau distillée).
Remarque : Vous pouvez également utiliser l'eau du robinet pour rincer la cuve à échantillon, si les échantillons mesurés présentent une concentration plus élevée que l'eau du robinet.

Figure 5 Orientation de la cuve à échantillon



1 Repère d'orientation⁴

2 Cuve à échantillon, 25 mm (10 mL), en verre⁵

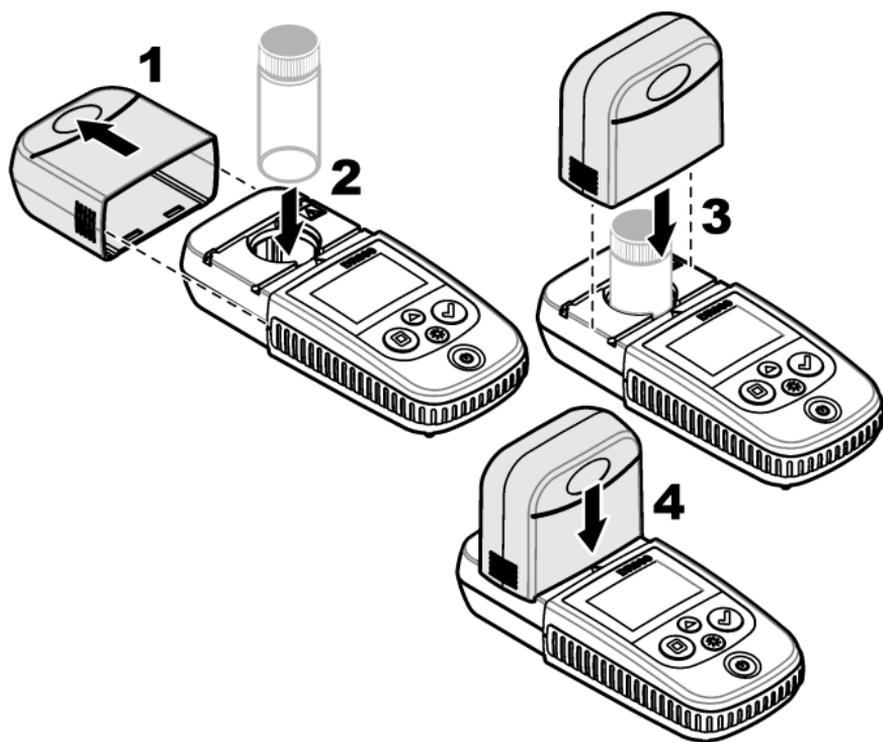
3 Cuve à échantillon, 1 cm (10 mL), en plastique⁶

⁴ Certains modèles disposent de cuves à échantillon sans repère d'orientation.

⁵ Utilisez la cuve à échantillon en verre pour les tests de chlore dans la plage basse.

⁶ Utilisez la cuve à échantillon en plastique pour les tests de chlore dans la plage haute.

Figure 6 Installation du capuchon de l'instrument sur le porte-cuve



6.1 Téléchargement d'une procédure de test

1. Rendez-vous sur <http://www.hach.com>.
2. Saisissez « DR300 » dans la barre de recherche.
3. Sélectionnez l'option "Téléchargements" sur le côté gauche dans la case "Recherche type".
4. Faites défiler jusqu'à « Méthodes et procédures ».
5. Cliquez sur le lien pour télécharger la procédure de test applicable.

Section 7 Affichage des mesures

Remarque : L'instrument enregistre jusqu'à 50 mesures. Une fois les 50 mesures effectuées, de nouvelles mesures remplacent les mesures les plus anciennes.

1. Appuyez sur ▲ et maintenez la touche enfoncée pendant 3 secondes.
 2. Appuyez sur ▲ jusqu'à ce que « rCL » (Rappel) s'affiche, puis sur ✓.
« - 01 - » s'affiche. La mesure 01 est la dernière mesure effectuée.
 3. Appuyez sur ✓ pour faire défiler.
Le numéro de mesure est suivi de la valeur mesurée, puis de l'heure.
 4. Pour afficher le numéro de mesure, appuyez sur ✓ jusqu'à ce qu'un numéro de mesure s'affiche, puis appuyez sur ▲ ou sur ☼.
- Remarque :** Les mesures ne peuvent pas être supprimées.
5. Appuyez sur ▲ et maintenez la touche enfoncée pendant 3 secondes pour revenir au mode mesure.

Section 8 Etalonnage

L'instrument est étalonné en usine. Aucun étalonnage ne doit être effectué par l'utilisateur.

8.1 Ajustement de l'étalonnage

Utilisez l'option d'ajustement de l'étalonnage (SCA) lorsqu'un étalonnage doit être ajusté pour répondre aux exigences réglementaires. L'étalonnage d'usine s'ajuste légèrement avec l'option d'ajustement de l'étalonnage (SCA), de sorte que l'instrument affiche la valeur attendue de la solution étalon. L'étalonnage ainsi ajusté est ensuite utilisé pour tous les résultats d'analyse. Cet ajustement peut augmenter la précision de l'analyse en cas de légères variations au niveau des réactifs ou des instruments.

Remarque : Pour les instruments possédant des plages ou des méthodes étalonnées en usine, la fonction d'ajustement de l'étalonnage (SCA) est désactivée lorsqu'une saisie utilisateur est entrée dans l'instrument. Pour réactiver la fonction SCA, réglez l'instrument sur l'étalonnage d'usine par défaut. Reportez-vous à la [Réglage de l'étalonnage par défaut](#) à la page 68.

8.1.1 Exécution d'un ajustement de l'étalonnage

1. Effectuez la procédure de test pour la plage à étalonner. Pour l'échantillon, utilisez la concentration de solution étalon indiquée dans la documentation sur la procédure de test.

Remarque : Si la concentration de solution étalon n'est pas indiquée dans la documentation sur la procédure de test, un autre étalon connu peut être utilisé.

2. Une fois la procédure de test terminée, appuyez sur ▲ et maintenez la touche enfoncée pendant 3 secondes.
3. Appuyez sur ▲ jusqu'à ce que « SCA » s'affiche, puis sur ✓. L'écran affiche la valeur de l'ajustement de l'étalonnage.
4. Si vous utilisez un autre étalon connu, saisissez sa valeur :
 - a. Appuyez sur ▲ jusqu'à ce que « Edit » (Modifier) s'affiche, puis sur ✓.
 - b. Saisissez la valeur de l'étalon.
Appuyez sur ▲ ou sur ☼ pour modifier le numéro qui clignote. Appuyez sur ✓ pour accéder au chiffre suivant. Appuyez sur □ pour passer au chiffre précédent.
5. Appuyez sur ✓ pour ajouter la valeur de l'ajustement de l'étalonnage à la courbe d'étalonnage d'usine.

8.1.2 Désactivation de l'ajustement de l'étalonnage

Pour utiliser l'étalonnage par défaut, désactivez l'ajustement de l'étalonnage (SCA).

1. Appuyez sur ▲ et maintenez la touche enfoncée pendant 3 secondes pour accéder au mode menu.
2. Appuyez sur ▲ jusqu'à ce que « SCA » s'affiche, puis sur ✓.
3. Appuyez sur ▲ jusqu'à ce que « OFF » (Désactivé) s'affiche, puis sur ✓.

Remarque : Pour réactiver la fonction de SCA, ajustez l'étalonnage.

8.2 Etalonnage saisie par l'utilisateur courbe

Cet instrument prend en charge les courbes d'étalonnage préparé par l'utilisateur. La courbe d'étalonnage peut aller de 0 à 2,5 Abs. Assurez-

vous que la courbe d'étalonnage comprend les valeurs d'étalon inférieures ou supérieures à la plage qui vous intéresse.

La plage de l'instrument correspond à la plage d'étalonnage. Par exemple, lorsque les étalons utilisés sont 1, 2 et 4, la plage de l'instrument est 1 à 4.

Il existe deux options pour saisir une courbe d'étalonnage utilisateur :

- **Saisie d'une courbe d'étalonnage avec des étalons** — Les valeurs de solution étalon sont saisies avec le clavier et les valeurs d'absorbance sont mesurées.
- **Saisie d'une courbe d'étalonnage avec le clavier** — Les valeurs de solution étalon et d'absorbance sont saisies avec le clavier.

Remarque : Si l'instrument est déjà éteint ou s'il est mis hors tension avant la saisie d'une courbe d'étalonnage utilisateur, la courbe d'étalonnage n'est pas enregistrée. L'instrument s'éteint automatiquement en mode de saisie d'étalonnage utilisateur après 60 minutes d'inactivité. Les étalonnages saisis par l'utilisateur sont effectués lorsque l'utilisateur quitte le mode d'étalonnage (cal) ou le mode de modification.

8.2.1 Saisie d'une courbe d'étalonnage avec des étalons

▲ AVERTISSEMENT



Risque d'exposition chimique. Respectez les procédures de sécurité du laboratoire et portez tous les équipements de protection personnelle adaptés aux produits chimiques que vous manipulez. Consultez les fiches de données de sécurité (MSDS/SDS) à jour pour connaître les protocoles de sécurité applicables.

▲ ATTENTION



Risque d'exposition chimique. Mettez au rebut les substances chimiques et les déchets conformément aux réglementations locales, régionales et nationales.

Remarque : Une autre solution consiste à utiliser l'eau déionisée pour le blanc, sauf si l'échantillon est beaucoup plus trouble ou plus coloré que l'eau déionisée.

1. Appuyez sur ▲ pour régler l'instrument sur la plage à étalonner (p. ex., LR ou HR).
2. Préparez le blanc. Reportez-vous à la procédure de test.
3. Nettoyez la cuve à échantillon à l'aide d'un chiffon non pelucheux.
4. Etalonnez le zéro de l'instrument.
 - a. Insérez la cuve à échantillon de blanc dans le porte-cuve.
 - b. Placez le capuchon de l'instrument sur le porte-cuve.
 - c. Appuyez sur □. L'écran affiche « - - - », puis « 0.00 ».
5. Appuyez sur ▲ et maintenez la touche enfoncée pendant 3 secondes pour accéder au mode menu.
6. Appuyez sur ▲ jusqu'à ce que « USEr » (UTILISATEUR) s'affiche, puis sur ✓.
7. Appuyez sur ▲ jusqu'à ce que « CAL » s'affiche, puis sur ✓.
8. Lorsque « S0 » s'affiche à l'écran, appuyez sur ✓.
9. Saisissez 00.00 (ou 000.0) pour la valeur du blanc.

Appuyez sur ▲ ou sur ☼ pour modifier le numéro qui clignote.
Appuyez sur ✓ pour accéder au chiffre suivant. Appuyez sur □ pour passer au chiffre précédent.
10. Lorsque « A0 » s'affiche à l'écran, appuyez sur ✓ pour mesurer l'absorbance du blanc.

L'écran affiche la valeur d'absorbance pour « S0 ».
11. Retirez la cuve à échantillon du porte-cuve.
12. Préparez l'échantillon. Reportez-vous à la procédure de test. Pour l'échantillon, utilisez la concentration de solution étalon indiquée dans la documentation sur la procédure de test.
13. Nettoyez la cuve à échantillon à l'aide d'un chiffon non pelucheux.
14. Appuyez sur ☼ pour afficher « S1 » (ou « Add » [Ajouter]), puis appuyez sur ✓.
15. Entrez la valeur de la concentration du premier étalon, puis appuyez sur ✓.

16. Lorsque « A1 » s'affiche à l'écran, procédez comme suit pour mesurer l'absorbance :
 - a. Insérez la cuve à échantillon de l'étalon soumis à réaction dans le porte-cuve.
 - b. Placez le capuchon de l'instrument sur le porte-cuve.
 - c. Appuyez sur ✓. L'écran affiche la valeur d'absorbance pour « S1 ».
17. L'étalonnage est terminé et comprend deux points d'étalonnage. Si des étalons supplémentaires sont nécessaires pour l'étalonnage : Effectuez à nouveau les étapes 11 - 16 pour mesurer plus d'étalons.
18. Retirez la cuve à échantillon du porte-cuve.
19. Videz et rincez immédiatement la cuve à échantillon. Rincez trois fois la cuve à échantillon et le capuchon avec de l'eau déionisée (ou de l'eau distillée).

Remarque : Vous pouvez également utiliser l'eau du robinet pour rincer la cuve à échantillon, si la concentration du paramètre dans l'eau du robinet est moins élevée que celle des échantillons mesurés.
20. Appuyez sur ▲ et maintenez la touche enfoncée pendant 3 secondes pour revenir au mode mesure.

8.2.2 Saisie d'une courbe d'étalonnage avec le clavier

Au moins deux paires de données sont nécessaires pour saisir une courbe d'étalonnage préparé par l'utilisateur. Une valeur de concentration et la valeur d'absorbance pour la concentration indiquée sont nécessaires pour chaque paire de données. Il est possible de saisir 10 paires de données au maximum.

1. Appuyez sur ▲ pour régler l'instrument sur la plage à étalonner (p. ex., LR ou HR).
2. Appuyez sur ▲ et maintenez la touche enfoncée pendant 3 secondes pour accéder au mode menu.
3. Appuyez sur ▲ jusqu'à ce que « USEr » (UTILISATEUR) s'affiche, puis sur ✓.
4. Appuyez sur ▲ jusqu'à ce que « Edit » (Modifier) s'affiche, puis sur ✓.
5. Lorsque « S0 » s'affiche à l'écran, appuyez sur ✓.

6. Saisissez la première paire de données.
La première paire de données est S0 (valeur de concentration) et A0 (valeur d'absorbance).
 - Appuyez sur ▲ ou ☼ pour modifier le numéro qui clignote.
 - Appuyez sur ✓ pour accéder au chiffre suivant.
 - Appuyez sur □ pour passer au chiffre précédent.
7. Effectuez à nouveau les étapes 5 et 6 pour saisir la seconde paire de données (S1 et A1).
8. L'étalonnage est terminé et comprend deux paires de données. Si des paires de données supplémentaires sont nécessaires pour l'étalonnage :
 - a. Lorsque « Add » (Ajouter) s'affiche, appuyez sur ✓.
 - b. Effectuez à nouveau les étapes 5 et 6 pour saisir d'autres paires de données.
9. Appuyez sur ▲ et maintenez la touche enfoncée pendant 3 secondes pour revenir au mode mesure.

8.2.3 Réglage de l'étalonnage par défaut

Pour supprimer de l'instrument la courbe d'étalonnage saisie par l'utilisateur et utiliser l'étalonnage d'usine, procédez comme suit :

1. Appuyez sur ▲ et maintenez la touche enfoncée pendant 3 secondes pour accéder au mode menu.
2. Appuyez sur ▲ jusqu'à ce que « USEr » (UTILISATEUR) s'affiche, puis sur ✓.
3. Appuyez sur ▲ jusqu'à ce que « dFL » (Par défaut) s'affiche, puis sur ✓.

Section 9 Maintenance

▲ ATTENTION



Dangers multiples. Seul le personnel qualifié doit effectuer les tâches détaillées dans cette section du document.

AVIS

Ne pas démonter l'appareil pour entretien. Si les composants internes doivent être nettoyés ou réparés, contacter le fabricant.

9.1 Nettoyage de l'instrument

Nettoyez l'extérieur de l'instrument avec un chiffon humide, puis essuyez l'instrument en ne laissant aucune trace d'humidité.

9.2 Nettoyage des cuves d'échantillon

▲ ATTENTION



Risque d'exposition chimique. Respectez les procédures de sécurité du laboratoire et portez tous les équipements de protection personnelle adaptés aux produits chimiques que vous manipulez. Consultez les fiches de données de sécurité (MSDS/SDS) à jour pour connaître les protocoles de sécurité applicables.

▲ ATTENTION



Risque d'exposition chimique. Mettez au rebut les substances chimiques et les déchets conformément aux réglementations locales, régionales et nationales.

La plupart des détergents de la laboratoires s'utilisent aux concentrations recommandées. Les détergents neutres, par exemple le Liquinox, sont plus sûrs quand un nettoyage régulier est nécessaire. Pour réduire le temps de nettoyage, augmentez la température ou utilisez un bain à ultrasons. Pour terminer le nettoyage, rincez plusieurs fois à l'eau déionisée, puis laissez sécher la cuve à échantillon à l'air.

Les cuves à échantillon peuvent également être nettoyées à l'acide, avant d'être rincées soigneusement à l'eau déionisée.

Remarque : *Toujours utiliser de l'acide pour nettoyer les cuves à échantillon destinées aux essais de basse teneur en métaux.*

Des méthodes de nettoyage spécifiques sont nécessaires pour certaines procédures. En cas d'utilisation d'une brosse pour nettoyer les cuves à échantillon, veillez à ne pas rayer la surface intérieure des cuves.

9.3 Remplacement des piles

Remplacez les piles lorsque le niveau d'autonomie est faible. Reportez-vous à la section [Installation des piles](#) à la page 55.

Section 10 Dépannage

Erreur	Description	Solution
E-00	Pas de zéro	En mode d'étalonnage par l'utilisateur, une solution étalon a été mesurée avant l'étalonnage du zéro de l'instrument. Mesurez une solution de blanc pour étalonner le zéro de l'instrument.
E-01	Erreur de lumière ambiante ⁷	La lumière ambiante s'infiltré dans le porte-cuve. Assurez-vous que le capuchon de l'instrument est parfaitement placé sur le porte-cuve. Reportez-vous à Exécution d'un test à la page 59.
E-02	Erreur de LED ⁷	La DEL (source lumineuse) n'est pas réglementaire. Remplacez les piles. Assurez-vous que la DEL située dans le porte-cuve s'allume lorsque vous appuyez sur  ou  .

⁷ Lorsqu'une erreur E-01 ou E-02 se produit au niveau d'une mesure, l'écran affiche « ._. » . La place de la décimale dépend de la chimie. Si une erreur E-01 ou E-02 se produit pendant l'étalonnage du zéro de l'instrument, effectuez à nouveau cette opération d'étalonnage du zéro.

Erreur	Description	Solution
E-03	Erreur d'ajustement de l'étalon	<ul style="list-style-type: none"> • La valeur mesurée de la solution étalon est supérieure aux limites d'ajustement. Préparez un nouvel étalon. • La solution étalon n'est pas comprise dans la plage de concentration pouvant être utilisée pour l'ajustement de l'étalon. Préparez un étalon dont la valeur est égale ou quasiment égale aux concentrations recommandées indiquées dans la procédure. • Assurez-vous que la concentration de la solution étalon est saisie correctement.
La mesure clignote et E-04 s'affiche	La mesure est supérieure ou inférieure à la plage de l'instrument. ⁸	Si la mesure est inférieure à la plage de l'instrument, assurez-vous que le capuchon de l'instrument est parfaitement installé sur le porte-cuve. Mesurez un blanc. Si la mesure du blanc n'est pas égale à zéro, étalonnez à nouveau le zéro de l'instrument.
		Si la mesure est supérieure à la plage de l'instrument, vérifiez toute occultation de lumière dans le porte-cuve. Diluez l'échantillon. Effectuez à nouveau le test.
E-06	Erreur d'absorbance	La valeur d'absorbance est incorrecte ou la courbe d'étalonnage saisie par l'utilisateur présente moins de deux points. Saisissez ou mesurez à nouveau la valeur d'absorbance.
E-07	Erreur de valeur d'étalon	La concentration de la solution étalon est égale à une autre concentration de solution étalon déjà saisie dans la courbe d'étalonnage saisie par l'utilisateur. Saisissez la concentration d'étalon correcte.

⁸ La valeur qui clignote est 10 % supérieure à la limite haute de la plage de test.

Erreur	Description	Solution
E-09	Erreur de clignotement	L'instrument n'est pas en mesure d'enregistrer les données. Appuyez sur  et maintenez la touche enfoncée pendant 5 secondes pour réinitialiser l'instrument.
E-10	Température ambiante trop haute ou trop basse	La température ambiante est en dehors de la plage. Utilisez l'appareil uniquement dans les conditions de fonctionnement spécifiées. Reportez-vous à Caractéristiques techniques à la page 50.
E-12	Les piles sont faibles.	Le niveau de charge des piles est trop faible. Remplacez les piles. Reportez-vous à Installation des piles à la page 55.
E-13	Echec du chargement des paramètres	La mémoire de l'appareil est défectueuse. Contactez l'assistance technique.
E-14 suivi de « _._ » ou « 0 » si aucun étalonnage du zéro n'a été effectué	Mesure du zéro non valide	La mesure du zéro est trop faible. Utilisez une cuve à échantillon remplie d'eau, puis réessayez. Si le problème persiste, contactez l'assistance technique.
E-15 suivi de « _._ »	Absorbance trop élevée	Vérifiez que la lumière dans le porte-cuve n'est pas occultée. Nettoyez le porte-cuve. Diluez l'échantillon. Effectuez à nouveau le test. Remarque : Cet appareil ne peut pas lire les valeurs d'absorbance supérieures à 3,5 Abs.
E-20	Mesure de signal hors plage	La luminosité sur le détecteur de lumière est excessive. Assurez-vous que le capuchon de l'instrument est parfaitement placé sur le porte-cuve. Effectuez à nouveau le test. Si le problème persiste, contactez l'assistance technique.

Erreur	Description	Solution
E-21	Mesure de signal instable	Le détecteur de lumière capte un signal instable. La lumière ambiante est instable ou excessive. Assurez-vous que le capuchon de l'instrument est parfaitement placé sur le porte-cuve. Effectuez à nouveau le test. Si le problème persiste, contactez l'assistance technique.
E-22	Erreur matérielle	Le système électronique est défaillant. Contactez l'assistance technique.

Les erreurs suivantes peuvent se produire immédiatement après la mise à jour de l'appareil.

Erreur	Description	Solution
E-30	Aucune application	Une erreur s'est produite lors de la mise à jour de l'application. Aucune application valide n'a été trouvée pour l'appareil. Effectuez à nouveau la mise à jour de l'appareil.
E31	Echec de la mise à jour du logiciel d'amorçage	Une erreur s'est produite lors du transfert de la mise à jour du logiciel d'amorçage. Effectuez à nouveau la mise à jour du logiciel d'amorçage.
E-32	Echec de la mise à jour de l'application	Une erreur s'est produite lors du transfert de la mise à jour de l'application. Effectuez à nouveau la mise à jour de l'appareil.
E-66	Echec de la mise à jour	L'appareil est défectueux. Contactez l'assistance technique.

Section 11 Pièces de rechange et accessoires

▲ AVERTISSEMENT



Risque de blessures corporelles. L'utilisation de pièces non approuvées comporte un risque de blessure, d'endommagement de l'appareil ou de panne d'équipement. Les pièces de rechange de cette section sont approuvées par le fabricant.

Remarque : Les numéros de référence de produit et d'article peuvent dépendre des régions de commercialisation. Prenez contact avec le distributeur approprié ou consultez le site web de la société pour connaître les personnes à contacter.

Pièces de rechange

Description	Quantité	Article n°
Piles AAA, alcalines	Lot de 4	4674300
Capuchon de l'instrument	1	LPZ445.99.00006
Capot des piles	1	LPZ445.99.00007
Cuve à échantillon, 25 mm (10 mL), en verre	Lot de 6	2427606
Cuve à échantillon, 1 cm (10 mL), en plastique	Lot de 2	4864302

Accessoires

Description	Quantité	Article n°
Dongle de communication Hach	1	LPV446.99.00012
Boîtier/étui souple	1	5953100

Tabla de contenidos

- | | | | |
|---|---|----|---|
| 1 | Especificaciones en la página 75 | 7 | Mostrar mediciones en la página 87 |
| 2 | Información general en la página 76 | 8 | Calibración en la página 87 |
| 3 | Instalación de las pilas en la página 80 | 9 | Mantenimiento en la página 93 |
| 4 | Interfaz del usuario y navegación en la página 81 | 10 | Localización de averías en la página 94 |
| 5 | Ajustar la hora en la página 82 | 11 | Piezas de repuesto y accesorios en la página 97 |
| 6 | Efectuar un test en la página 83 | | |

Sección 1 Especificaciones

Las especificaciones están sujetas a cambios sin previo aviso.

Especificación	Detalles
Dimensiones (An. x Al. x Pr.)	6,9 x 15,7 x 3,4 cm (2,7 x 6,2 x 1,3 pulg.)
Protección	IP67, sumergible hasta 1 m (3,3 pies) durante 30 minutos cuando el compartimento de las pilas está cerrado y bloqueado.
Fuente de luz	Diodo de emisión de luz (LED)
Detector	Fotodiodo de silicón
Pantalla	LCD con retroiluminación
Peso	0,25 kg (0,55 lb)
Requisitos de alimentación eléctrica	4 pilas AAA, con una vida aproximada de 5000 tests (la función de retroiluminación reduce esta cifra) No se recomienda el uso de pilas recargables.
Entorno operativo	De 0 a 50 °C (de 32 a 122 °F), del 0 al 90% de humedad relativa, sin condensación
Temperatura de almacenamiento	-20 a 55 °C (-4 a 131 °F); 0 a 80% de humedad relativa, sin condensación
Wavelength (Longitud de onda)	Longitud de onda fija ± 2 nm, varía en cada modelo
Ancho de banda del filtro	15 nm
Rango de absorbancia	0 a 2,5 Abs
Cubeta de muestra	25 mm (10 ml) y 1 cm (10 ml)

Especificación	Detalles
Almacenamiento de datos	Últimas 50 mediciones
Bluetooth® ¹	El Bluetooth® está activado cuando el dongle de comunicación de Hach opcional está instalado.
Certificaciones	CE
Garantía	1 año (UE: 2 años)

Sección 2 Información general

En ningún caso el fabricante será responsable de ningún daño directo, indirecto, especial, accidental o resultante de un defecto u omisión en este manual. El fabricante se reserva el derecho a modificar este manual y los productos que describen en cualquier momento, sin aviso ni obligación. Las ediciones revisadas se encuentran en la página web del fabricante.

2.1 Información de seguridad

El fabricante no es responsable de ningún daño debido a un mal uso de este producto incluyendo, sin limitación, daños directos, fortuitos o circunstanciales y reclamaciones sobre los daños que no estén recogidos en la legislación vigente. El usuario es el único responsable de identificar los riesgos críticos y de instalar los mecanismos adecuados de protección de los procesos en caso de un posible mal funcionamiento del equipo.

Sírvase leer todo el manual antes de desembalar, instalar o trabajar con este equipo. Ponga atención a todas las advertencias y avisos de peligro. El no hacerlo puede provocar heridas graves al usuario o daños al equipo.

Asegúrese de que la protección proporcionada por el equipo no está dañada. No utilice ni instale este equipo de manera distinta a lo especificado en este manual.

¹ La palabra y los logotipos de Bluetooth® son marcas registradas propiedad de Bluetooth SIG, Inc. y cualquier uso de dichas marcas por parte de HACH se realiza bajo licencia.

2.1.1 Uso de la información relativa a riesgos

▲ PELIGRO

Indica una situación potencial o de riesgo inminente que, de no evitarse, provocará la muerte o lesiones graves.

▲ ADVERTENCIA

Indica una situación potencial o inminentemente peligrosa que, de no evitarse, podría provocar la muerte o lesiones graves.

▲ PRECAUCIÓN

Indica una situación potencialmente peligrosa que podría provocar una lesión menor o moderada.

AVISO

Indica una situación que, si no se evita, puede provocar daños en el instrumento. Información que requiere especial énfasis.

2.1.2 Etiquetas de precaución

Lea todas las etiquetas y rótulos adheridos al instrumento. En caso contrario, podrían producirse heridas personales o daños en el instrumento. El símbolo que aparezca en el instrumento se comentará en el manual con una declaración de precaución.

	Este símbolo (en caso de estar colocado en el equipo) hace referencia a las instrucciones de uso o a la información de seguridad del manual.
	En Europa, el equipo eléctrico marcado con este símbolo no se debe desechar mediante el servicio de recogida de basura doméstica o pública. Devuelva los equipos viejos o que hayan alcanzado el término de su vida útil al fabricante para su eliminación sin cargo para el usuario.

2.1.3 Certificación

Reglamentación canadiense sobre equipos que provocan interferencias, IECS-003, Clase B:

Registros de pruebas de control del fabricante.

Este aparato digital de clase B cumple con todos los requerimientos de las reglamentaciones canadienses para equipos que producen interferencias.

Cet appareil numérique de classe B répond à toutes les exigences de la réglementation canadienne sur les équipements provoquant des interférences.

FCC Parte 15, Límites Clase "B"

Registros de pruebas de control del fabricante. Este dispositivo cumple con la Parte 15 de las normas de la FCC estadounidense. Su operación está sujeta a las siguientes dos condiciones:

1. El equipo no puede causar interferencias perjudiciales.
2. Este equipo debe aceptar cualquier interferencia recibida, incluyendo las interferencias que pueden causar un funcionamiento no deseado.

Los cambios o modificaciones a este equipo que no hayan sido aprobados por la parte responsable podrían anular el permiso del usuario para operar el equipo. Este equipo ha sido probado y encontrado que cumple con los límites para un dispositivo digital Clase B, de acuerdo con la Parte 15 de las Reglas FCC. Estos límites están diseñados para proporcionar una protección razonable contra las interferencias perjudiciales cuando el equipo está operando en un entorno comercial. Este equipo genera, utiliza y puede irradiar energía de radio frecuencia, y si no es instalado y utilizado de acuerdo con el manual de instrucciones, puede causar una interferencia dañina a las radio comunicaciones. La operación de este equipo en un área residencial es probable que produzca interferencias dañinas, en cuyo caso el usuario será requerido para corregir la interferencia bajo su propio cargo. Pueden utilizarse las siguientes técnicas para reducir los problemas de interferencia:

1. Aleje el equipo del dispositivo que está recibiendo la interferencia.
2. Cambie la posición de la antena del dispositivo que recibe la interferencia.
3. Pruebe combinaciones de las opciones descritas.

2.2 Descripción general del producto

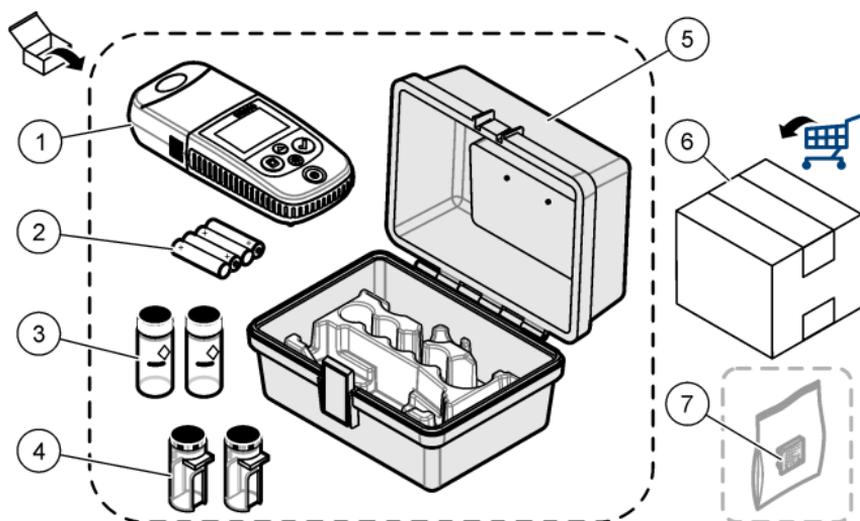
Este instrumento es un fotómetro de filtro portátil que sirve para realizar análisis del agua.

Nota: Este instrumento no ha sido evaluado para medir el cloro ni las cloraminas en aplicaciones médicas en Estados Unidos.

2.3 Componentes del producto

Asegúrese de haber recibido todos los componentes. Consulte [Figura 1](#). Si faltan elementos o están dañados, póngase en contacto con el fabricante o el representante de ventas inmediatamente. En la [Figura 1](#) se muestra un ejemplo y se indican las piezas que se suministran con la unidad LPV445.99.00110. Otros instrumentos se suministran con componentes distintos.

Figura 1 Componentes del producto



1 DR300	5 Caja de almacenamiento
2 Pilas alcalinas AAA	6 Reactivos
3 Cubetas de muestra, 25 mm (10 ml), vidrio	7 Dongle de comunicación de Hach (opcional, se suministra por separado)
4 Cubetas de muestra, 1 cm (10 ml), plástico	

Sección 3 Instalación de las pilas

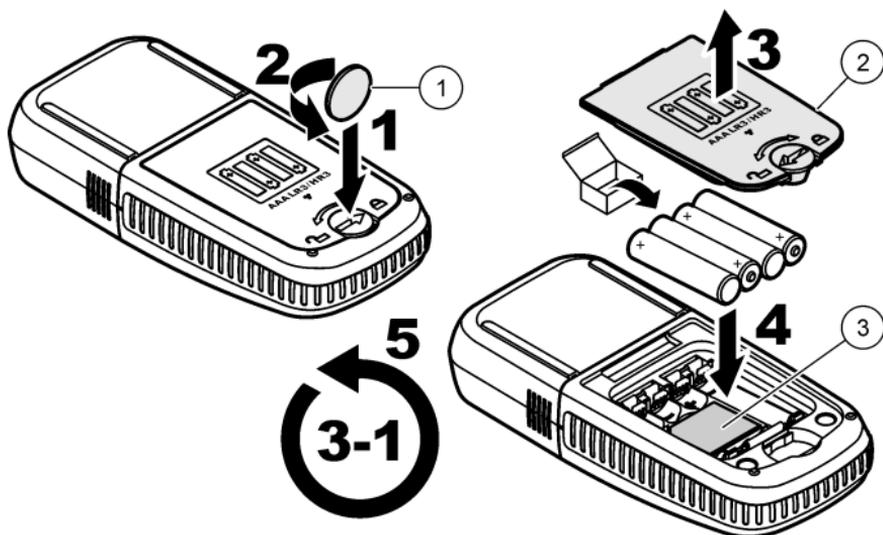
⚠ ADVERTENCIA



Peligro de explosión. Si la batería no están colocada correctamente, se puede producir la liberación de gases explosivos. Asegúrese de que las pilas son del mismo tipo y material químico aprobado y están insertadas en el sentido correcto. No mezcle pilas nuevas y usadas.

Consulte la [Figura 2](#) para instalar las pilas. A continuación, pulse  para encender el instrumento.

Figura 2 Instalación de las pilas



1 Moneda

2 Tapa de las pilas

3 Inserto de plástico para el dongle²

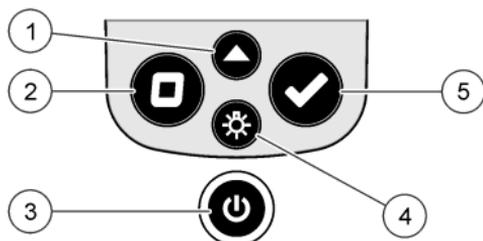
² Retire el inserto de plástico solo cuando vaya a instalar el dongle de comunicación de Hach. Consulte las instrucciones de instalación suministradas con el dongle.

Sección 4 Interfaz del usuario y navegación

4.1 Descripción del teclado

La [Figura 3](#) muestra el teclado y describe las funciones de las teclas.

Figura 3 Teclado

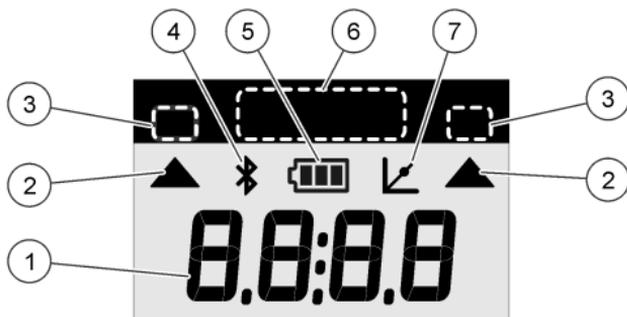


<p>1 Tecla rango: selecciona el rango de medición (por ejemplo, LR o HR). Pulse durante 3 segundos para entrar en el modo de menú. En el modo de menú, desplaza hacia arriba o aumenta el valor del dígito seleccionado.</p>	<p>4 Tecla de retroiluminación: enciende y apaga la retroiluminación. En el modo de menú, desplaza la pantalla hacia abajo o disminuye el valor del dígito seleccionado.</p>
<p>2 Tecla cero: pone a cero antes de una medición. En el modo de menú, retrocede un nivel de menú o mueve el cursor al dígito anterior.</p>	<p>5 Tecla de lectura: inicia una medición de la muestra. En el modo de menú, selecciona la opción de menú que se muestra o mueve el cursor al siguiente dígito.</p>
<p>3 Tecla de encendido/apagado: enciende y apaga la alimentación. Pulse durante 5 segundos para reiniciar el instrumento. No se elimina la calibración.</p>	

4.2 Descripción de la pantalla

En la **Figura 4** se muestran los valores y los iconos que aparecen en la pantalla.

Figura 4 Pantalla



1 Pantalla numérica: valores medidos u opciones de menú	5 Icono de la batería: nivel de carga de la batería. Parpadea cuando el nivel de batería es bajo.
2 Icono de rango: señala el rango de medición seleccionado	6 Parámetros y rangos de medición
3 Rangos de medición o parámetros	7 Icono de ajuste de la calibración: la calibración predeterminada de fábrica se ha ajustado o se ha introducido una curva de calibración definida por el usuario.
4 Icono de Bluetooth®: el Bluetooth® está activado ³ .	

Sección 5 Ajustar la hora

Ajuste la hora (formato de 24 horas).

1. Mantenga pulsado ▲ durante 3 segundos para entrar en el modo de menú.
Se muestra la hora (o 00:00).
2. Pulse ✓ para ajustar la hora.
3. Pulse ▲ o ☼ para cambiar el número que parpadea. Pulse ✓ para acceder al siguiente dígito. Pulse □ para pasar al dígito anterior.

³ Se muestra cuando el dongle de comunicación de Hach está instalado.

Sección 6 Efectuar un test

⚠ PELIGRO



Peligro químico o biológico. Si este instrumento se usa para controlar un proceso de tratamiento y/o un sistema de suministro químico para el que existan límites normativos y requisitos de control relacionados con la salud pública, la seguridad pública, la fabricación o procesamiento de alimentos o bebidas, es responsabilidad del usuario de este instrumento conocer y cumplir toda normativa aplicable y disponer de mecanismos adecuados y suficientes que satisfagan las normativas vigentes en caso de mal funcionamiento del equipo.

⚠ PELIGRO



Peligro por exposición a productos químicos. Respete los procedimientos de seguridad del laboratorio y utilice el equipo de protección personal adecuado para las sustancias químicas que vaya a manipular. Consulte los protocolos de seguridad en las hojas de datos de seguridad actuales (MSDS/SDS).

⚠ PRECAUCIÓN



Peligro por exposición a productos químicos. Deshágase de los productos químicos y los residuos de acuerdo con las normativas locales, regionales y nacionales.

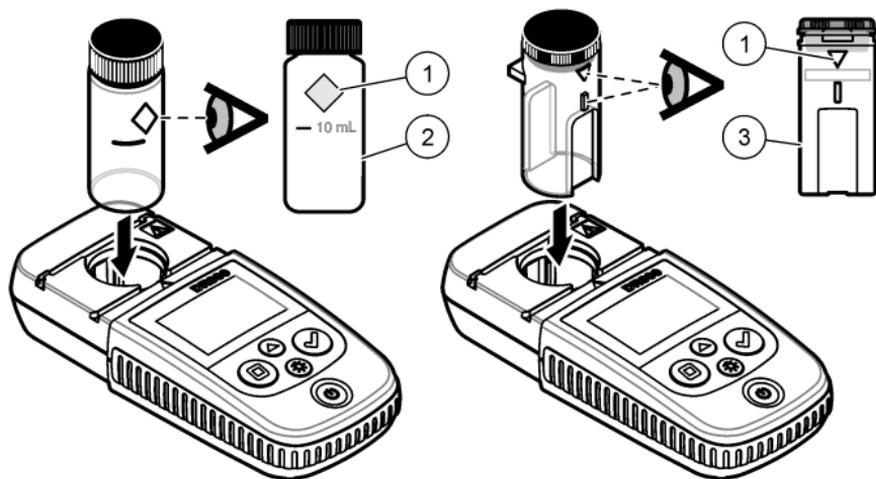
A continuación se enumeran los pasos genéricos para llevar a cabo un test.

Para efectuar un test relativo a un parámetro específico (por ejemplo, el cloro), descargue el procedimiento del test del sitio web del fabricante. Consulte [Descargar un procedimiento de tests](#) en la página 86.

1. Pulse ▲ para seleccionar el rango de medición aplicable (p. ej., LR o HR).
2. Prepare el blanco. Consulte el procedimiento de test.
3. Limpie la cubeta de muestra con un paño sin pelusa.

4. Introduzca la cubeta de muestra del blanco en el alojamiento de cubetas. Asegúrese de colocar la cubeta de muestra del blanco en la orientación correcta y adecuada para que los resultados sean aceptables y precisos. Consulte la [Figura 5](#).
5. Coloque la tapa del instrumento sobre el alojamiento de cubetas. Consulte la [Figura 6](#).
6. Pulse  para poner el instrumento a cero.
7. Retire la cubeta de muestra del blanco.
8. Prepare la muestra. Consulte el procedimiento de test.
9. Limpie la cubeta de muestra con un paño sin pelusa.
10. Introduzca la cubeta de muestra en el alojamiento de cubetas. Asegúrese de colocar la cubeta de la muestra en la orientación correcta y adecuada para que los resultados sean aceptables y precisos. Consulte la [Figura 5](#).
11. Coloque la tapa del instrumento sobre el alojamiento de cubetas. Consulte la [Figura 6](#).
12. Pulse . En la pantalla se mostrarán los resultados en unidades de concentración o absorbancia.
Nota: El resultado parpadea si es inferior o superior al rango del instrumento.
13. Retire la cubeta de muestra del alojamiento de cubetas.
14. Vacíe y aclare la cubeta de muestra inmediatamente. Lave la cubeta de muestra y la tapa tres veces con agua desionizada (o agua destilada).
Nota: Como alternativa, use agua del grifo para lavar la cubeta de muestra si las muestras medidas tienen una concentración mayor que el agua del grifo.

Figura 5 Orientación de la cubeta de muestra



1 Marca de orientación⁴

2 Cubeta de muestra de 25 mm (10 ml), cristal⁵

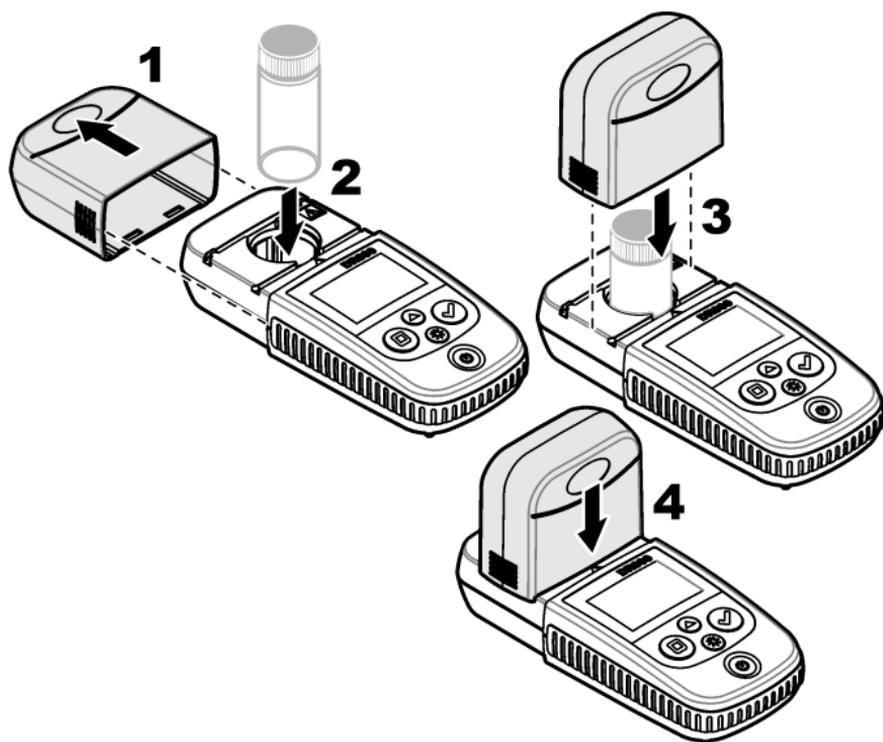
3 Cubeta de muestra de 1 cm (10 ml), plástico⁶

⁴ Algunos modelos del instrumento tienen cubetas de muestra que no incluyen marca de orientación.

⁵ Utilice la cubeta de muestra de cristal para pruebas de cloro de rango bajo.

⁶ Utilice la cubeta de muestra de plástico para pruebas de cloro de rango alto.

Figura 6 Coloque la tapa del instrumento sobre el alojamiento de cubetas



6.1 Descargar un procedimiento de tests

1. Vaya a <http://www.hach.com>.
2. Introduzca "DR300" en el cuadro de búsqueda.
3. Seleccione la opción "Descargas" en el lado izquierdo en el cuadro "Tipo de búsqueda".
4. Desplácese hacia abajo hasta "Methods/Procedures" (Métodos y procedimientos).
5. Haga clic en el enlace al procedimiento de test correspondiente para descargarlo.

Sección 7 Mostrar mediciones

Nota: El instrumento guarda un máximo de 50 mediciones. Una vez efectuadas 50 mediciones, cada nueva medición irá sustituyendo a la más antigua.

1. Mantenga pulsada la tecla ▲ (Intro) durante 3 segundos.
2. Pulse ▲ hasta que aparezca "rCL" (Recuperar) y, a continuación, pulse ✓.

En la pantalla aparecerá "- 01 -". La medición 01 es la última realizada.

3. Pulse ✓ para desplazarse hacia adelante.
El número de medición va seguido del valor de la medición y, a continuación, la hora.
4. Para ir a un número de medición, pulse ✓ hasta que aparezca un número de medición y, a continuación, pulse ▲ o ☼.

Nota: Las mediciones no se pueden eliminar.

5. Mantenga pulsado ▲ durante tres segundos para volver al modo de medición.

Sección 8 Calibración

Este instrumento se calibra en fábrica. No es necesario realizar más calibraciones.

8.1 Ajuste de patrón de calibración

Utilice la opción de ajuste de patrón de calibración (SCA) si la calibración debe ajustarse para cumplir requisitos normativos. La calibración de fábrica se ajusta ligeramente con la opción de ajuste de patrón de calibración (SCA) de manera que el instrumento muestra el valor esperado de la solución estándar. A partir de entonces, se utiliza la calibración ajustada para todos los resultados los tests. Este ajuste puede aumentar la precisión de la prueba cuando hay pequeñas variaciones en los reactivos o instrumentos.

Nota: Para los instrumentos con métodos o rangos calibrados de fábrica, la función de ajuste de patrón de calibración (SCA) se desactiva cuando el usuario introduce manualmente en el instrumento una calibración. Para volver a activar SCA, ajuste el instrumento a la calibración predeterminada de fábrica. Consulte [Cambiar a la calibración predeterminada de fábrica en la página 92](#).

8.1.1 Efectuar un ajuste del patrón de calibración

1. Complete el procedimiento de test para que se calibre el rango. Para la muestra, utilice la concentración de solución estándar indicada en la documentación del procedimiento de test.

Nota: Si la concentración de la solución estándar no se indica en la documentación del procedimiento de test, puede utilizarse otro patrón conocido.

2. Una vez finalizado el procedimiento de test, pulse ▲ durante 3 segundos.
3. Pulse ▲ hasta que aparezca "SCA" y, a continuación, pulse ✓. El valor del ajuste del patrón de calibración se muestra en la pantalla.
4. Si utiliza otro patrón conocido, introduzca su valor:
 - a. Pulse ▲ hasta que aparezca "Edit" (Editar) y, a continuación, pulse ✓.
 - b. Introduzca el valor del patrón.
Pulse ▲ o ☼ para cambiar el número que parpadea. Pulse ✓ para acceder al siguiente dígito. Pulse □ para pasar al dígito anterior.
5. Pulse ✓ para agregar el valor de ajuste del patrón de calibración a la curva de calibración de fábrica.

8.1.2 Desactivar el ajuste del patrón de calibración

Para utilizar de nuevo la configuración de calibración predeterminada de fábrica, desactive el ajuste del patrón de calibración (SCA).

1. Mantenga pulsado ▲ durante 3 segundos para entrar en el modo de menú.
2. Pulse ▲ hasta que aparezca "SCA" y, a continuación, pulse ✓.
3. Pulse ▲ hasta que aparezca "OFF" (Apagado) y, a continuación, pulse ✓.

Nota: Para volver a activar la función de SCA, efectúe un ajuste de patrón de calibración.

8.2 Calibración introducida por el usuario por el usuario

Este instrumento acepta una curva de calibración preparada por el usuario. La curva de calibración puede incluir una absorbancia de 0 a 2,5. Compruebe que la curva de calibración incluye los valores de estándar que son menores y mayores que el rango de interés.

El rango del instrumento será el mismo que el rango de calibración. Por ejemplo, cuando los estándares que se usan son 1,00, 2,00 y 4,00. El rango del instrumento es de 1,00 a 4,00.

Hay dos opciones para introducir una curva de calibración del usuario:

- **Introducir una curva de calibración con estándares**—Los valores de solución estándar se introducen con el teclado y se miden los valores de absorbancia.
- **Introducir una curva de calibración con el teclado**—Los valores de solución estándar y los valores de absorbancia se introducen con el teclado.

Nota: Si el instrumento se apaga o se interrumpe la corriente de alimentación antes de que se complete una curva de calibración introducida por el usuario, la curva de calibración no se guarda. El instrumento se apaga automáticamente en el modo de entrada de calibración introducida por el usuario después de 60 minutos sin actividad. Las calibraciones introducidas por el usuario están completas cuando el usuario sale del modo de calibración (cal) o del modo de edición.

8.2.1 Introducir una curva de calibración con patrones

▲ ADVERTENCIA



Peligro por exposición a productos químicos. Respete los procedimientos de seguridad del laboratorio y utilice el equipo de protección personal adecuado para las sustancias químicas que vaya a manipular. Consulte los protocolos de seguridad en las hojas de datos de seguridad actuales (MSDS/SDS).

⚠ PRECAUCIÓN



Peligro por exposición a productos químicos. Deshágase de los productos químicos y los residuos de acuerdo con las normativas locales, regionales y nacionales.

Nota: Como alternativa, se puede utilizar agua desionizada para preparar el blanco, a menos que la muestra sea significativamente más turbia o tenga más color que el agua desionizada.

1. Pulse **▲** para ajustar el instrumento al rango de calibración (p. ej., LR o HR).
2. Prepare el blanco. Consulte el procedimiento de test.
3. Limpie la cubeta de muestra con un paño sin pelusa.
4. Ajuste el instrumento a cero.
 - a. Inserte la cubeta de muestra con el blanco en el alojamiento de cubetas.
 - b. Coloque la tapa del instrumento sobre el alojamiento de cubetas.
 - c. Pulse **□**. La pantalla muestra " - - - - " y a continuación "0.00".
5. Mantenga pulsado **▲** durante 3 segundos para entrar en el modo de menú.
6. Pulse **▲** hasta que aparezca "USER" (Usuario) y, a continuación, pulse **✓**.
7. Pulse **▲** hasta que aparezca "CAL" y, a continuación, pulse **✓**.
8. Cuando aparezca "S0" en la pantalla, pulse **✓**.
9. Introduzca 00.00 (o 000.0) para el valor del blanco.

Pulse **▲** o **☼** para cambiar el número que parpadea. Pulse **✓** para acceder al siguiente dígito. Pulse **□** para pasar al dígito anterior.
10. Cuando aparezca "A0" en la pantalla, pulse **✓** para medir la absorbancia del blanco.

La pantalla muestra el valor de absorbancia de "S0".
11. Retire la cubeta de muestra del alojamiento de cubetas.
12. Prepare la muestra. Consulte el procedimiento de test. Para la muestra, utilice la concentración de solución estándar indicada en la documentación del procedimiento de test.

13. Limpie la cubeta de muestra con un paño sin pelusa.
14. Pulse ☼ para que aparezca "S1" (o "Add" [Añadir]) y, a continuación, pulse ✓.
15. Introduzca el valor de concentración del primer patrón de calibración y, a continuación, pulse ✓.
16. Cuando aparezca "A1" en la pantalla, siga estos pasos para medir la absorbancia:
 - a. Inserte la cubeta de muestra de reacción estándar en el alojamiento de cubetas.
 - b. Coloque la tapa del instrumento sobre el alojamiento de cubetas.
 - c. Pulse ✓. La pantalla muestra el valor de absorbancia de "S1".
17. La calibración se finaliza con dos puntos de calibración. Si se necesitan patrones adicionales para la calibración:
Repita los pasos 11 - 16 para medir más patrones de calibración.
18. Retire la cubeta de muestra del alojamiento de cubetas.
19. Vacíe y aclare la cubeta de muestra inmediatamente. Lave la cubeta de muestra y la tapa tres veces con agua desionizada (o agua destilada).
Nota: Como alternativa, puede emplearse agua del grifo para enjuagar la cubeta de muestra si la concentración del parámetro en el agua del grifo es inferior al de las muestras medidas.
20. Mantenga pulsado ▲ durante tres segundos para volver al modo de medición.

8.2.2 Introducir una curva de calibración con el teclado

Son necesarios al menos dos pares de datos para introducir una curva de calibración preparada por el usuario. Para cada par de datos es necesario un valor de concentración y el valor de absorbancia para la concentración dada. Se puede introducir un máximo de 10 pares de datos.

1. Pulse ▲ para ajustar el instrumento al rango de calibración (p. ej., LR o HR).
2. Mantenga pulsado ▲ durante 3 segundos para entrar en el modo de menú.

3. Pulse ▲ hasta que aparezca "USEr" (Usuario) y, a continuación, pulse ✓.
4. Pulse ▲ hasta que aparezca "Edit" (Editar) y, a continuación, pulse ✓.
5. Cuando aparezca "S0" en la pantalla, pulse ✓.
6. Introduzca el primer par de datos.
El primer par de datos es S0 (valor de concentración) y A0 (valor de absorbancia).
 - Pulse ▲ o ☼ para cambiar el número que parpadea.
 - Pulse ✓ para acceder al siguiente dígito.
 - Pulse □ para pasar al dígito anterior.
7. Repita los pasos 5 y 6 para introducir el segundo par de datos (S1 y A1).
8. La calibración se finaliza con dos pares de datos. Si se necesitan pares de datos adicionales para la calibración:
 - a. Cuando se muestre "Add" (Añadir), pulse ✓.
 - b. Repita los pasos 5 y 6 para introducir más pares de datos.
9. Mantenga pulsado ▲ durante tres segundos para volver al modo de medición.

8.2.3 Cambiar a la calibración predeterminada de fábrica

Para eliminar una curva de calibración del instrumento introducida por el usuario y utilizar la calibración de fábrica, siga los pasos que se indican a continuación:

1. Mantenga pulsado ▲ durante 3 segundos para entrar en el modo de menú.
2. Pulse ▲ hasta que aparezca "USEr" (Usuario) y, a continuación, pulse ✓.
3. Pulse ▲ hasta que aparezca "dFL" (Valor predeterminado) y, a continuación, pulse ✓.

Sección 9 Mantenimiento

▲ PRECAUCIÓN



Peligros diversos. Solo el personal cualificado debe realizar las tareas descritas en esta sección del documento.

AVISO

No desmonte el instrumento para el mantenimiento. Si es necesario limpiar o reparar los componentes internos, póngase en contacto con el fabricante.

9.1 Limpieza del instrumento

Limpie el exterior del instrumento con un paño húmedo y una solución jabonosa suave y, a continuación, seque el instrumento según sea necesario.

9.2 Limpiar las cubetas de muestra

▲ PRECAUCIÓN



Peligro por exposición a productos químicos. Respete los procedimientos de seguridad del laboratorio y utilice el equipo de protección personal adecuado para las sustancias químicas que vaya a manipular. Consulte los protocolos de seguridad en las hojas de datos de seguridad actuales (MSDS/SDS).

▲ PRECAUCIÓN



Peligro por exposición a productos químicos. Deshágase de los productos químicos y los residuos de acuerdo con las normativas locales, regionales y nacionales.

La mayoría de los detergentes de laboratorio se usan en concentraciones recomendadas. El uso de los detergentes neutros, como el Liquinox, es más seguro cuando se necesita limpiar regularmente. Para disminuir el tiempo de limpieza, aumente la temperatura o use un baño ultrasónico. Para completar la limpieza, enjuague varias veces con agua desionizada y deje que la cubeta de muestra se seque.

Las cubetas de muestras también se pueden limpiar con ácido después de enjuagar bien con agua desionizada.

Nota: Siempre utilice ácido para limpiar las cubetas de muestras que se hayan utilizado para tests de metal de bajo nivel.

Los métodos de limpieza especial son necesarios para procedimientos individuales. Al utilizar un cepillo para limpiar las cubetas de muestras, tenga especial cuidado de no rayar la superficie interior de las mismas.

9.3 Cambio de las pilas

Sustituya las pilas cuando el nivel de la batería sea bajo. Consulte la [Instalación de las pilas](#) en la página 80.

Sección 10 Localización de averías

Error	Descripción	Solución
E-00	No hay cero	En el modo de calibración del usuario, se ha medido una solución estándar antes de establecer el cero del instrumento. Mida una solución de blanco para establecer el instrumento a cero.
E-01	Error en la luz ambiente ⁷	En el alojamiento de cubetas hay luz ambiente. Asegúrese de que la tapa del instrumento está totalmente colocada sobre el alojamiento de cubetas. Consulte Efectuar un test en la página 83.
E-02	Error de LED ⁷	El LED (fuente de luz) no está regulado. Cambie las pilas. Compruebe que el LED del alojamiento de cubetas se ilumina cuando se pulsa <input checked="" type="checkbox"/> o <input type="checkbox"/> .

⁷ Cuando se produce un error E-01 o E-02 durante una medición, en la pantalla aparecerá "_._.". La posición decimal depende del proceso químico. Si se produce un error E-01 o E-02 mientras el instrumento se establece a cero, vuelva a establecerlo.

Error	Descripción	Solución
E-03	Error de ajuste estándar	<ul style="list-style-type: none"> • El valor medido de la solución estándar es superior a los límites de ajuste. Prepare una solución estándar nueva. • La solución estándar está fuera del rango de concentración que se puede utilizar para el ajuste de la calibración estándar. Prepare una solución estándar con un valor igual o aproximado a las concentraciones recomendadas en el procedimiento. • Asegúrese de que la concentración de la solución estándar se ha introducido correctamente.
Parpadeos de lectura seguidos de error E-04	La lectura es superior o inferior al rango del instrumento. ⁸	Si la lectura es inferior al rango del instrumento, asegúrese de que la tapa del instrumento está totalmente colocada sobre el alojamiento de cubetas. Mida una solución de blanco. Si la lectura del blanco no es cero, vuelva a establecer el instrumento en cero.
		Si la lectura es superior al rango del instrumento, compruebe que no hay bloqueos luminosos en el alojamiento de cubetas. Diluya la muestra. Repita la prueba.
E-06	Error de absorbancia	El valor de absorbancia no es correcto o la curva de calibración introducida por el usuario tiene menos de dos puntos. Vuelva a introducir o a medir un valor de absorbancia.
E-07	Error de valor estándar	La concentración de la solución estándar es igual a otra concentración de solución estándar que ya se ha introducido en la curva de calibración definida por el usuario. Indique la concentración estándar correcta.

⁸ El valor que parpadea será del 10% sobre el límite superior del rango de prueba.

Error	Descripción	Solución
E-09	Error de flash	El instrumento no puede guardar datos. Mantenga pulsado  durante 5 segundos para reiniciar el instrumento.
E-10	Temperatura ambiente demasiado alta o demasiado baja	La temperatura ambiente está fuera de rango. Utilice el instrumento únicamente en las condiciones de funcionamiento especificadas. Consulte Especificaciones en la página 75.
E-12	Carga de pilas baja	El nivel de carga de las pilas es demasiado bajo. Cambie las pilas. Consulte Instalación de las pilas en la página 80.
E-13	Fallo de carga de parámetros	La memoria del instrumento está defectuosa. Póngase en contacto con el servicio de asistencia técnica.
E-14 seguido de "._" o "0" si no había cero	Medición de cero no válida	La medición de cero es demasiado baja. Utilice una cubeta de muestra llena de agua e inténtelo de nuevo. Si el error persiste, póngase en contacto con el servicio de asistencia técnica.
E-15 seguido de "._"	Absorbancia demasiado alta	Compruebe si hay bloqueos luminosos en el alojamiento de cubetas. Limpieza del alojamiento de cubetas. Diluya la muestra. Repita la prueba. Nota: Este instrumento no puede leer valores de absorbancia superiores a 3,5 Abs.
E-20	Medición de señal fuera de rango	Hay demasiada luz en el detector de luz. Asegúrese de que la tapa del instrumento está totalmente colocada sobre el alojamiento de cubetas. Repita la prueba. Si el error persiste, póngase en contacto con el servicio de asistencia técnica.

Error	Descripción	Solución
E-21	Medición de señal inestable	Hay una señal inestable en el detector de luz. Hay demasiada luz ambiental o a luz es inestable. Asegúrese de que la tapa del instrumento está totalmente colocada sobre el alojamiento de cubetas. Repita la prueba. Si el error persiste, póngase en contacto con el servicio de asistencia técnica.
E-22	Error de hardware	El sistema electrónico está defectuoso. Póngase en contacto con el servicio de asistencia técnica.

Los siguientes errores pueden producirse inmediatamente después de una actualización del instrumento.

Error	Descripción	Solución
E-30	Ninguna aplicación	Se ha producido un error durante la actualización de la aplicación. No se ha encontrado ninguna aplicación válida en el instrumento. Actualice de nuevo el instrumento.
E31	Error de actualización del gestor de arranque	Se ha producido un error durante la transmisión de la actualización del gestor de arranque. Actualice de nuevo el gestor de arranque.
E-32	Error de actualización de la aplicación	Se ha producido un error durante la transmisión de la actualización de la aplicación. Actualice de nuevo el instrumento.
E-66	Error de actualización	El instrumento está defectuoso. Póngase en contacto con el servicio de asistencia técnica.

Sección 11 Piezas de repuesto y accesorios

▲ ADVERTENCIA



Peligro de lesión personal. El uso de piezas no aprobadas puede causar lesiones personales, daños al instrumento o un mal funcionamiento del equipo. Las piezas de repuesto que aparecen en esta sección están aprobadas por el fabricante.

Nota: Las referencias de los productos pueden variar para algunas regiones de venta. Póngase en contacto con el distribuidor correspondiente o visite la página web de la empresa para obtener la información de contacto.

Piezas de repuesto

Descripción	Cantidad	Referencia
Pilas alcalina AAA	4/paquete	4674300
Tapa del instrumento	1	LPZ445.99.00006
Tapa de las pilas	1	LPZ445.99.00007
Cubeta de muestra, 25 mm (10 ml), vidrio	6/paquete	2427606
Cubeta de muestra, 1 cm (10 ml), plástico	2/paquete	4864302

Accesorios

Descripción	Cantidad	Referencia
Dongle de comunicación de Hach	1	LPV446.99.00012
Estuche blando/funda	1	5953100

Sommario

- | | | | |
|---|---|----|--|
| 1 | Specifiche tecniche a pagina 99 | 7 | Visualizzazione delle misurazioni a pagina 111 |
| 2 | Informazioni generali a pagina 100 | 8 | Calibrazione a pagina 111 |
| 3 | Installazione delle batterie a pagina 104 | 9 | Manutenzione a pagina 116 |
| 4 | Interfaccia utente e navigazione a pagina 105 | 10 | Risoluzione dei problemi a pagina 118 |
| 5 | Impostazione dell'ora a pagina 106 | 11 | Parti di ricambio e accessori a pagina 121 |
| 6 | Esecuzione di un test a pagina 107 | | |

Sezione 1 Specifiche tecniche

Le specifiche tecniche sono soggette a modifica senza preavviso.

Dato tecnico	Dettagli
Dimensioni (L x A x P)	6,9 x 15,7 x 3,4 cm (2,7 x 6,2 x 1,3 poll.)
Alloggiamento	Grado di protezione IP67, impermeabile a 1 m (3,3 ft) per 30 minuti con il vano batteria chiuso e bloccato.
Sorgente luminosa	LED
Rivelatore	Fotodiodo al silicio
Display	LCD con retroilluminazione
Peso	0,25 kg (0,55 lb)
Requisiti di alimentazione	4 batterie AAA per circa 5000 test (valore ridotto in caso di uso della retroilluminazione) L'uso di batterie ricaricabili è sconsigliato.
Condizioni di esercizio	Da 0 a 50 °C (da 32 a 122 °F), dallo 0 al 90% di umidità relativa, senza condensa
Temperatura di stoccaggio	Da -20 a 55 °C (da -4 a 131 °F), dallo 0 all'80% di umidità relativa, senza condensa
Lunghezza d'onda	Lunghezza d'onda fissa ± 2 nm, diversa per ciascun modello
Larghezza di banda del filtro	15 nm
Intervallo di assorbanza	Da 0 a 2,5 Abs
Cella campione	25 mm (10 mL) e 1 cm (10 mL)

Dato tecnico	Dettagli
Memoria dati	Ultime 50 misurazioni
Bluetooth® ¹	Il Bluetooth® è attivo quando viene installato il dongle di comunicazione Hach opzionale.
Certificazioni	CE
Garanzia	1 anno (EU: 2 anni)

Sezione 2 Informazioni generali

In nessun caso, il produttore potrà essere ritenuto responsabile per danni diretti, indiretti o accidentali per qualsiasi difetto o omissione relativa al presente manuale. Il produttore si riserva il diritto di apportare eventuali modifiche al presente manuale e ai prodotti ivi descritti in qualsiasi momento senza alcuna notifica o obbligo preventivi. Le edizioni riviste sono presenti nel sito Web del produttore.

2.1 Informazioni sulla sicurezza

Il produttore non sarà da ritenersi responsabile in caso di danni causati dall'applicazione errata o dall'uso errato di questo prodotto inclusi, a puro titolo esemplificativo e non limitativo, i danni diretti, incidentali e consequenziali; inoltre declina qualsiasi responsabilità per tali danni entro i limiti previsti dalle leggi vigenti. La responsabilità relativa all'identificazione dei rischi critici dell'applicazione e all'installazione di meccanismi appropriati per proteggere le attività in caso di eventuale malfunzionamento dell'apparecchiatura compete unicamente all'utilizzatore.

Prima di disimballare, installare o utilizzare l'apparecchio, si prega di leggere l'intero manuale. Si raccomanda di leggere con attenzione e rispettare le istruzioni riguardanti note di pericolosità. La non osservanza di tali indicazioni potrebbe comportare lesioni gravi all'operatore o danni all'apparecchio.

Assicurarsi che i dispositivi di sicurezza insiti nell'apparecchio siano efficaci all'atto della messa in servizio e durante l'utilizzo dello stesso.

¹ Il marchio e i loghi Bluetooth® sono marchi registrati di proprietà di Bluetooth SIG, Inc. e il loro utilizzo è concesso in licenza ad HACH.

Non utilizzare o installare questa apparecchiatura in modo diverso da quanto specificato nel presente manuale.

2.1.1 Indicazioni e significato dei segnali di pericolo

▲ PERICOLO

Indica una situazione di pericolo potenziale o imminente che, se non evitata, causa lesioni gravi anche mortali.

▲ AVVERTENZA

Indica una situazione di pericolo potenziale o imminente che, se non evitata, potrebbe comportare lesioni gravi, anche mortali.

▲ ATTENZIONE

Indica una situazione di pericolo potenziale che potrebbe comportare lesioni lievi o moderate.

AVVISO

Indica una situazione che, se non evitata, può danneggiare lo strumento. Informazioni che richiedono particolare attenzione da parte dell'utente.

2.1.2 Etichette precauzionali

Leggere sempre tutte le indicazioni e le targhette di segnalazione applicate all'apparecchio. La mancata osservanza delle stesse può causare lesioni personali o danni allo strumento. Un simbolo sullo strumento è indicato nel manuale unitamente a una frase di avvertenza.

	Tale simbolo, se apposto sullo strumento, fa riferimento al manuale delle istruzioni per il funzionamento e/o informazioni sulla sicurezza.
	Le apparecchiature elettriche contrassegnate con questo simbolo non possono essere smaltite attraverso sistemi domestici o pubblici europei. Restituire le vecchie apparecchiature al produttore il quale si occuperà gratuitamente del loro smaltimento.

2.1.3 Certificazioni

Normativa canadese sulle apparecchiature che causano interferenze radio ICES-003, Classe B:

Le registrazioni dei test di supporto sono disponibili presso il produttore.

Questa apparecchiatura digitale di Classe B soddisfa tutti i requisiti di cui alla normativa canadese sulle apparecchiature che causano interferenze.

FCC Parte 15, Limiti Classe "B"

Le registrazioni dei test di supporto sono disponibili presso il produttore. Il presente dispositivo è conforme alla Parte 15 della normativa FCC. Il funzionamento è soggetto alle seguenti condizioni:

1. L'apparecchiatura potrebbe non causare interferenze dannose.
2. L'apparecchiatura deve tollerare tutte le interferenze subite, comprese quelle causate da funzionamenti inopportuni.

Modifiche o cambiamenti eseguiti su questa unità senza previa approvazione da parte dell'ente responsabile della conformità potrebbero annullare il diritto di utilizzare l'apparecchiatura. Questo apparecchio è stato testato ed è conforme ai limiti previsti per un dispositivo digitale di Classe B, secondo quanto indicato nella Parte 15 delle norme FCC. I suddetti limiti sono stati fissati in modo da garantire una protezione adeguata nei confronti di interferenze nocive se si utilizza l'apparecchiatura in ambiti commerciali. L'apparecchiatura produce, utilizza e può irradiare energia a radiofrequenza e, se non installata e utilizzata in accordo a quanto riportato nel manuale delle istruzioni, potrebbe causare interferenze dannose per le radiocomunicazioni. L'utilizzo di questa apparecchiatura in una zona residenziale potrebbe causare interferenze dannose. In questo caso, l'utente sarà tenuto a risolvere il problema a proprie spese. Per ridurre i problemi di interferenza, è possibile utilizzare le seguenti tecniche:

1. Allontanare l'apparecchiatura dal dispositivo che riceve l'interferenza.
2. Riposizionare l'antenna ricevente del dispositivo che riceve l'interferenza.
3. Provare una combinazione dei suggerimenti sopra riportati.

2.2 Panoramica del prodotto

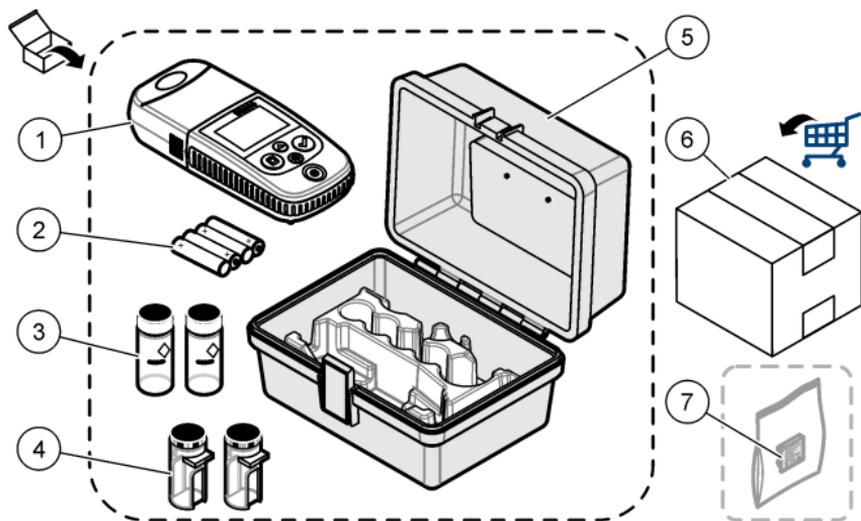
Questo strumento è un fotometro a filtro portatile utilizzato per l'analisi delle acque.

Nota: questo strumento non è stato valutato per quel che riguarda la misurazione di cloro e clorammine in applicazioni mediche negli Stati Uniti.

2.3 Componenti del prodotto

Accertarsi che tutte le parti oggetto della fornitura siano state ricevute. Fare riferimento alla sezione [Figura 1](#). In caso di parti mancanti o danneggiate, contattare immediatamente il produttore o il rappresentante vendite. La [Figura 1](#) è un esempio e mostra le parti fornite con LPV445.99.00110. Altri strumenti vengono forniti con componenti diversi.

Figura 1 Componenti del prodotto



1 DR 300	5 Valigetta
2 Batterie alcaline AAA	6 Reagenti
3 Celle campione, 25 mm (10 mL), vetro	7 Dongle di comunicazione Hach (opzionale, fornito separatamente)
4 Celle campione, 1 cm (10 mL), plastica	

Sezione 3 Installazione delle batterie

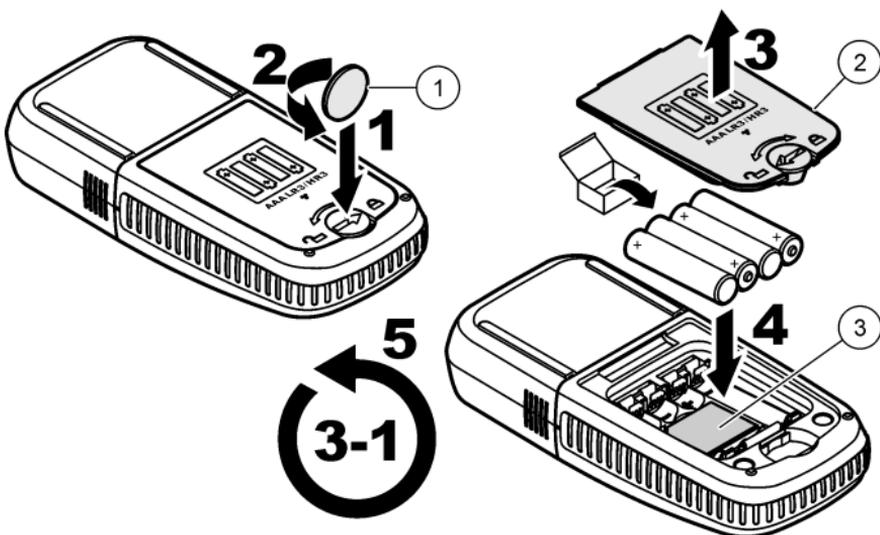
▲ AVVERTENZA



Pericolo di esplosione. L'errata installazione della batteria può causare il rilascio di gas esplosivi. Accertarsi che le batterie siano dello stesso tipo chimico approvato e che siano inserite nell'orientamento corretto. Non mettere insieme batterie nuove con batterie vecchie.

Fare riferimento alla [Figura 2](#) per installare le batterie. Quindi premere  per accendere lo strumento.

Figura 2 Installazione delle batterie



1 Batteria a bottone

2 Coperchio della batteria

3 Inserto in plastica per dongle²

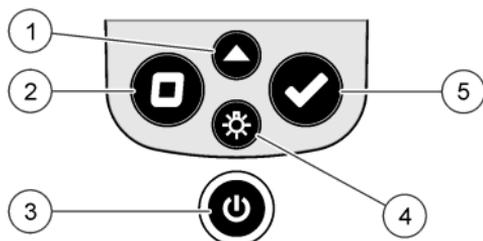
² Rimuovere solo l'inserto in plastica per installare il dongle di comunicazione Hach. Fare riferimento alle istruzioni di installazione fornite con il dongle.

Sezione 4 Interfaccia utente e navigazione

4.1 Descrizione della tastiera

La [Figura 3](#) mostra la tastiera e illustra le funzioni dei tasti.

Figura 3 Tastiera

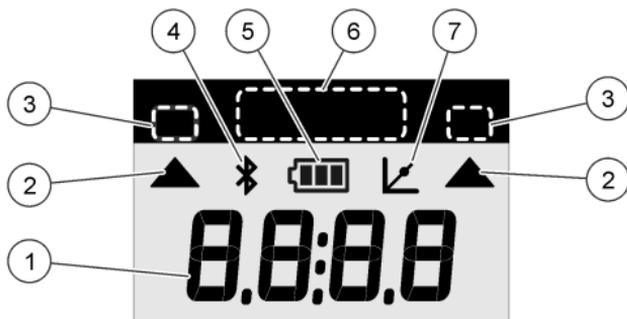


<p>1 Tasto del range: consente di selezionare il range di misura (ad es. range basso (LR) o range alto (HR)). Tenere premuto per 3 secondi per attivare o disattivare la modalità menu. Nella modalità menu, è possibile scorrere verso l'alto o aumentare il valore della cifra selezionata.</p>	<p>4 Tasto di retroilluminazione: consente di attivare o disattivare la retroilluminazione. Nella modalità menu, è possibile scorrere verso il basso o diminuire il valore della cifra selezionata.</p>
<p>2 Tasto zero: consente di impostare il valore zero prima di effettuare una misurazione. Nella modalità menu, è possibile tornare indietro di un livello del menu o spostare il cursore sulla cifra precedente.</p>	<p>5 Tasto di lettura: avvia la misurazione di un campione. Nella modalità menu, è possibile selezionare le opzioni del menu visualizzate o spostare il cursore sulla cifra successiva.</p>
<p>3 Tasto di accensione: consente di accendere o spegnere lo strumento. Tenere premuto per 5 secondi per azzerare lo strumento. La calibrazione non viene cancellata.</p>	

4.2 Descrizione del display

La [Figura 4](#) mostra i valori e le icone visualizzati sul display.

Figura 4 Display



1 Display numerico: valore misurato o opzioni di menu	5 Icona della batteria: livello di carica della batteria. Lampeggia quando il livello di carica della batteria è basso.
2 Icona del range: punta verso il range di misura selezionato	6 Parametri e range di misura
3 Range di misura o parametri	7 Icona di calibrazione modificata: la calibrazione predefinita in fabbrica è stata modificata oppure l'utente ha immesso una curva di calibrazione.
4 Icona Bluetooth®: il Bluetooth® è attivato ³ .	

Sezione 5 Impostazione dell'ora

Impostare l'ora (in formato 24 ore).

1. Tenere premuto ▲ per 3 secondi per attivare la modalità menu. Viene visualizzata l'ora (o 00:00).
2. Premere ✓ per impostare l'ora.
3. Premere ▲ o ☀ per modificare il numero lampeggiante. Premere ✓ per passare alla cifra successiva. Premere □ per passare alla cifra precedente.

³ Mostra quando il dongle di comunicazione Hach è installato.

Sezione 6 Esecuzione di un test

▲ PERICOLO



Rischi chimici o biologici. Se questo strumento viene utilizzato per monitorare un processo di trattamento e/o un sistema di alimentazione di sostanze chimiche per cui esistono limiti normativi e requisiti di controllo legati a sanità pubblica, sicurezza pubblica, attività di produzione o trasformazione di alimenti e bevande, l'utente dello strumento ha la responsabilità di conoscere e rispettare tutte le eventuali normative applicabili e di predisporre meccanismi adeguati e sufficienti ai fini del rispetto delle normative vigenti in caso di malfunzionamento dello strumento stesso.

▲ PERICOLO



Pericolo di esposizione ad agenti chimici. Rispettare le procedure di sicurezza del laboratorio e indossare tutte le apparecchiature protettive appropriate per le sostanze chimiche utilizzate. Fare riferimento alle attuali schede di sicurezza (MSDS/SDS) per i protocolli di sicurezza.

▲ ATTENZIONE



Pericolo di esposizione ad agenti chimici. Smaltire i prodotti chimici e i rifiuti conformemente alle normative locali, regionali e nazionali.

Di seguito vengono riportati i passi generici per eseguire un test.

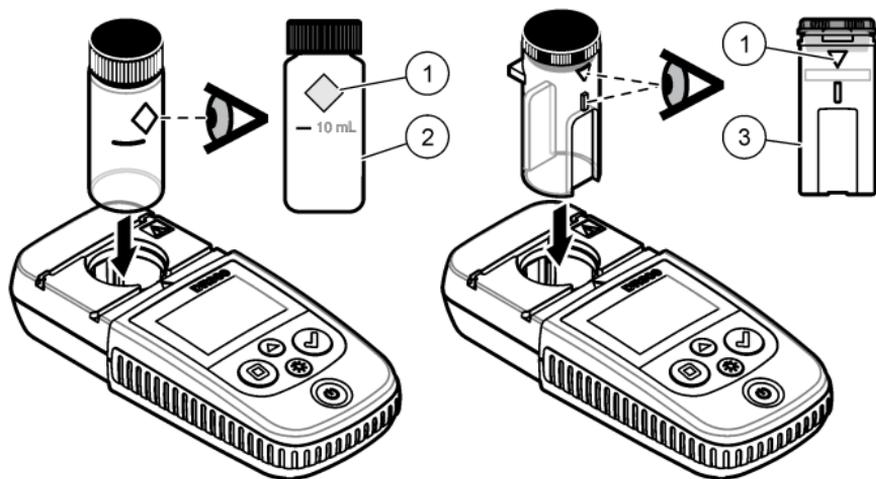
Per eseguire un test per un parametro specifico (ad es. cloro), scaricare la relativa procedura dal sito Web del produttore. Fare riferimento alla sezione [Download di una procedura di test](#) a pagina 110.

1. Premere ▲ per selezionare il range di misura adeguato (ad es. range basso (LR) o range alto (HR)).
2. Preparare il bianco. Fare riferimento alla procedura di test.
3. Pulire la cella campione con un panno che non lascia pelucchi.
4. Inserire la cella campione del bianco nel vano cella. Assicurarsi di installare la cella campione del bianco mantenendo un

orientamento costante e corretto in modo che i risultati siano più precisi e ripetibili. Fare riferimento alla [Figura 5](#).

5. Montaggio del coperchio dello strumento sul vano cella. Fare riferimento alla [Figura 6](#).
6. Premere  per azzerare lo strumento.
7. Rimuovere la cella campione del bianco.
8. Preparare il campione. Fare riferimento alla procedura di test.
9. Pulire la cella campione con un panno che non lascia pelucchi.
10. Inserire la cella campione nel relativo vano. Assicurarsi di installare la cella campione mantenendo un orientamento costante e corretto in modo che i risultati siano più precisi e ripetibili. Fare riferimento alla [Figura 5](#).
11. Montaggio del coperchio dello strumento sul vano cella. Fare riferimento alla [Figura 6](#).
12. Premere . Il display visualizza i risultati in unità di concentrazione o assorbanza.
Nota: il risultato lampeggia se inferiore o superiore al range analitico dello strumento.
13. Estrarre la cella campione dal vano.
14. Svuotare immediatamente e sciacquare la cella campione. Sciacquare la cella campione e il coperchio tre volte con acqua deionizzata (o acqua distillata).
Nota: in alternativa, utilizzare acqua di rubinetto per sciacquare la cella campione se i campioni misurati hanno una concentrazione superiore rispetto ad essa.

Figura 5 Orientamento celle campione



1 Segno orientamento⁴

2 Cella campione,
25 mm (10 mL),
vetro⁵

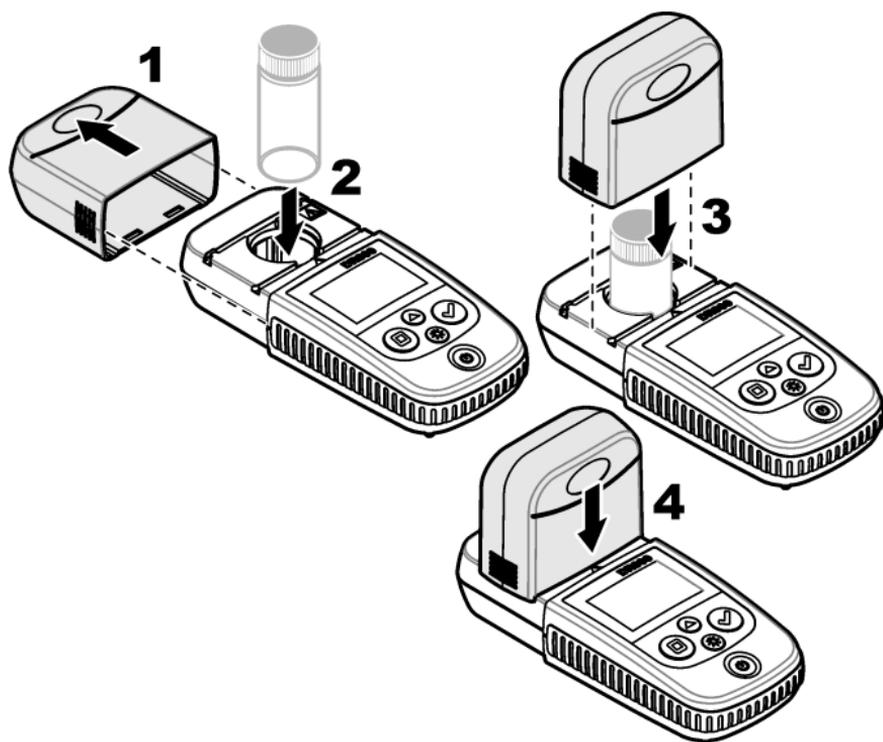
3 Cella campione, 1 cm
(10 mL), plastica⁶

⁴ Alcune varianti dello strumento presentano celle campione senza un segno di orientamento.

⁵ Utilizzare la cella campione in vetro per i test del cloro a basso range.

⁶ Utilizzare la cella campione in plastica per i test del cloro ad alto range.

Figura 6 Montaggio del coperchio dello strumento sul vano cella



6.1 Download di una procedura di test

1. Andare al sito <http://www.hach.com>.
2. Immettere "DR300" nella casella di ricerca.
3. Seleziona l'opzione "Download" sul lato sinistro nella casella "Tipo Ricerca".
4. Scorrere verso il basso fino a "Methods/Procedures" (Metodi/Procedure).
5. Fare click sul link per scaricare la procedura di test pertinente.

Sezione 7 Visualizzazione delle misurazioni

Nota: lo strumento è in grado di salvare fino a un massimo di 50 misurazioni. Una volta raggiunto il numero massimo, le nuove misurazioni sostituiscono quelle più vecchie.

1. Tenere premuto ▲ per 3 secondi.
 2. Premere ▲ finché sul display non viene visualizzato "rCL" (Richiama), quindi premere ✓.
Viene visualizzato "- 01 -". La misurazione 01 corrisponde all'ultima effettuata.
 3. Premere ✓ per scorrere in avanti.
Il numero della misurazione è seguito dal relativo valore e quindi dall'ora.
 4. Per passare a un numero della misurazione, premere ✓ fino a quando non viene visualizzato un numero della misurazione, quindi premere ▲ o ☼.
- Nota:** le misurazioni non possono essere cancellate.
5. Tenere premuto ▲ per 3 secondi per tornare alla modalità di misurazione.

Sezione 8 Calibrazione

ed è calibrato in fabbrica. La calibrazione da parte dell'utente non è necessaria.

8.1 Regolazione della calibrazione standard

Utilizzare l'opzione di regolazione della calibrazione standard (SCA) quando è necessario regolare una calibrazione per soddisfare i requisiti normativi. L'opzione di regolazione della calibrazione standard (SCA) consente di regolare leggermente la calibrazione di fabbrica in modo che sullo strumento venga visualizzato il valore della soluzione standard previsto. La calibrazione regolata viene quindi utilizzata per tutti i risultati dei test. Tale regolazione può migliorare l'accuratezza dei test in presenza di leggere variazioni nei reagenti o degli strumenti.pu.

Nota: per gli strumenti che utilizzano metodi o range calibrati in fabbrica, la funzione di regolazione della calibrazione standard (SCA) viene disattivata quando l'utente immette una calibrazione nello strumento. Per riattivare la funzione SCA, impostare lo strumento sulla calibrazione predefinita in fabbrica. Fare riferimento alla sezione [Impostazione della calibrazione predefinita in fabbrica](#) a pagina 116.

8.1.1 Regolazione della calibrazione standard

1. Completare la procedura di test del range da calibrare. Per il campione, utilizzare la concentrazione della soluzione standard specificata nella documentazione della procedura di test.

Nota: se nella documentazione della procedura di test non viene specificata una concentrazione della soluzione standard, è possibile utilizzare uno standard noto differente.

2. Una volta completata la procedura di test, tenere premuto ▲ per 3 secondi.
3. Premere ▲ finché sul display non viene visualizzato "SCA" (Regolazione calibrazione standard), quindi premere ✓.
Sul display viene visualizzato il valore di regolazione della calibrazione standard.
4. Se viene utilizzato uno standard noto differente, immetterne il valore:
 - a. Premere ▲ finché sul display non viene visualizzato "Edit" (Modifica), quindi premere ✓.
 - b. Immettere il valore dello standard.
Premere ▲ o ☼ per modificare il numero lampeggiante.
Premere ✓ per passare alla cifra successiva. Premere □ per passare alla cifra precedente.
5. Premere ✓ per aggiungere il valore di regolazione della calibrazione standard alla curva di calibrazione di fabbrica.

8.1.2 Disattivazione della regolazione della calibrazione standard

Per utilizzare di nuovo la calibrazione predefinita in fabbrica, disattivare la regolazione della calibrazione standard (SCA).

1. Tenere premuto ▲ per 3 secondi per attivare la modalità menu.
2. Premere ▲ finché sul display non viene visualizzato "SCA" (Regolazione calibrazione standard), quindi premere ✓.
3. Premere ▲ finché sul display non viene visualizzato "OFF" (Disattivata), quindi premere ✓.

Nota: per riattivare la funzione SCA, eseguire una regolazione della calibrazione standard.

8.2 Calibrazione immessa dall'utente

Questo strumento accetta una curva di calibrazione preparata dall'utente. L'assorbanza della curva di calibrazione può variare da 0 a 2,5. Assicurarsi che la curva di calibrazione includa valori standard inferiori e superiori alla gamma di interesse.

La gamma dello strumento sarà identica alla gamma di calibrazione. Ad esempio, quando gli standard utilizzati sono 1,00, 2,00 e 4,00, la gamma dello strumento varia da 1,00 a 4,00.

Sono disponibili due opzioni per immettere curva di calibrazione dell'utente:

- **Immettere una curva di calibrazione con standard**—Immettere i valori della soluzione standard con la tastiera, quindi procedere alla misurazione dei valori di assorbanza.
- **Immettere una curva di calibrazione con la tastiera**—Immettere i valori della soluzione standard e i valori di assorbanza con la tastiera.

Nota: se lo strumento viene spento o se l'alimentazione viene interrotta prima di aver immesso una curva di calibrazione, la curva non verrà salvata. Lo strumento si spegne automaticamente in modalità di immissione della calibrazione utente dopo 60 minuti di inattività. Le calibrazioni immesse dall'utente vengono completate quando l'utente chiude la modalità di calibrazione (cal) o di modifica.

8.2.1 Immissione di una curva di calibrazione con standard

▲ AVVERTENZA



Pericolo di esposizione ad agenti chimici. Rispettare le procedure di sicurezza del laboratorio e indossare tutte le apparecchiature protettive appropriate per le sostanze chimiche utilizzate. Fare riferimento alle attuali schede di sicurezza (MSDS/SDS) per i protocolli di sicurezza.

▲ ATTENZIONE



Pericolo di esposizione ad agenti chimici. Smaltire i prodotti chimici e i rifiuti conformemente alle normative locali, regionali e nazionali.

Nota: in alternativa, è possibile utilizzare acqua deionizzata per il bianco a meno che il campione non sia significativamente più torbido o abbia più colore dell'acqua deionizzata stessa.

1. Premere ▲ per impostare lo strumento al range da calibrare (ad es. range basso (LR) o range alto (HR)).
2. Preparare il bianco. Fare riferimento alla procedura di test.
3. Pulire la cella campione con un panno che non lascia pelucchi.
4. Azzerare lo strumento.
 - a. Inserire la cella campione del bianco nel vano cella.
 - b. Montare il coperchio dello strumento sul vano cella.
 - c. Premere □. Il display visualizza "- - -", quindi "0,00".
5. Tenere premuto ▲ per 3 secondi per attivare la modalità menu.
6. Premere ▲ finché sul display non viene visualizzato "USEr" (Utente), quindi premere ✓.
7. Premere ▲ finché sul display non viene visualizzato "CAL" (Calibrazione), quindi premere ✓.
8. Quando sul display viene visualizzato "S0", premere ✓.
9. Immettere 00,00 (o 000,0) per il valore del bianco.

Premere ▲ o ☼ per modificare il numero lampeggiante. Premere ✓ per passare alla cifra successiva. Premere □ per passare alla cifra precedente.
10. Quando sul display viene visualizzato "A0", premere ✓ per misurare l'assorbanza del bianco.

Il display visualizza il valore di assorbanza per "S0".
11. Estrarre la cella campione dal vano.
12. Preparare il campione. Fare riferimento alla procedura di test. Per il campione, utilizzare la concentrazione della soluzione standard specificata nella documentazione della procedura di test.
13. Pulire la cella campione con un panno che non lascia pelucchi.
14. Premere ☼ per visualizzare "S1" (o "Add" (Aggiungi)), quindi premere ✓.
15. Immettere il valore di concentrazione del primo standard di calibrazione, quindi premere ✓.

16. Quando sul display viene visualizzato "A1", effettuare i passi seguenti per misurare l'assorbanza:
 - a. Inserire la cella con il campione standard reagito nel vano cella.
 - b. Montare il coperchio dello strumento sul vano cella.
 - c. Premere ✓. Il display visualizza il valore di assorbanza per "S1".
17. La calibrazione è completa con due punti di calibrazione. Se sono necessari ulteriori standard per la calibrazione:

Ripetere i passi 11 - 16 per misurare più standard di calibrazione.
18. Estrarre la cella campione dal vano.
19. Svuotare immediatamente e sciacquare la cella campione. Sciacquare la cella campione e il coperchio tre volte con acqua deionizzata (o acqua distillata).

Nota: in alternativa, è possibile utilizzare acqua di rubinetto per sciacquare la cella campione se la concentrazione del parametro nell'acqua di rubinetto è inferiore al campione misurato.
20. Tenere premuto ▲ per 3 secondi per tornare alla modalità di misurazione.

8.2.2 Immissione di una curva di calibrazione con la tastiera

Sono necessarie almeno due coppie di dati per immettere una curva di calibrazione preparata dall'utente. Per ciascuna coppia dati è necessario un valore di concentrazione e un valore di assorbanza per una determinata concentrazione. È possibile immettere massimo 10 coppie dati.

1. Premere ▲ per impostare lo strumento al range da calibrare (ad es. range basso (LR) o range alto (HR)).
2. Tenere premuto ▲ per 3 secondi per attivare la modalità menu.
3. Premere ▲ finché sul display non viene visualizzato "USER" (Utente), quindi premere ✓.
4. Premere ▲ finché sul display non viene visualizzato "Edit" (Modifica), quindi premere ✓.
5. Quando sul display viene visualizzato "S0", premere ✓.
6. Immettere la prima coppia di dati.

La prima coppia di dati è S0 (valore di concentrazione) e A0 (valore di assorbanza).

- Premere ▲ o ☼ per modificare il numero lampeggiante.
 - Premere ✓ per passare alla cifra successiva.
 - Premere ◻ per passare alla cifra precedente.
7. Ripetere i passi 5 e 6 per immettere la seconda coppia di dati (S1 e A1).
 8. La calibrazione è completa con due coppie di dati. Se sono necessarie ulteriori coppie di dati per la calibrazione:
 - a. Quando sul display viene visualizzato "Add" (Aggiungi), premere ✓.
 - b. Ripetere i passi 5 e 6 per immettere più coppie di dati.
 9. Tenere premuto ▲ per 3 secondi per tornare alla modalità di misurazione.

8.2.3 Impostazione della calibrazione predefinita in fabbrica

Per eliminare dallo strumento una curva di calibrazione immessa dall'utente e utilizzare la calibrazione di fabbrica, effettuare i passi seguenti:

1. Tenere premuto ▲ per 3 secondi per attivare la modalità menu.
2. Premere ▲ finché sul display non viene visualizzato "USER" (Utente), quindi premere ✓.
3. Premere ▲ finché sul display non viene visualizzato "dFL" (Impostazione predefinita), quindi premere ✓.

Sezione 9 Manutenzione

⚠ ATTENZIONE



Pericoli multipli. Gli interventi descritti in questa sezione del documento devono essere eseguiti solo da personale qualificato.

AVVISO

Non smontare lo strumento per operazioni di manutenzione. Se è necessario pulire o riparare i componenti interni, contattare il produttore.

9.1 Pulizia dello strumento

Pulire le superfici esterne dello strumento con un panno inumidito con una soluzione contenente sapone delicato; quindi asciugare lo strumento secondo necessità.

9.2 Pulire le celle dei campioni

▲ ATTENZIONE	
 	Pericolo di esposizione ad agenti chimici. Rispettare le procedure di sicurezza del laboratorio e indossare tutte le apparecchiature protettive appropriate per le sostanze chimiche utilizzate. Fare riferimento alle attuali schede di sicurezza (MSDS/SDS) per i protocolli di sicurezza.
▲ ATTENZIONE	
	Pericolo di esposizione ad agenti chimici. Smaltire i prodotti chimici e i rifiuti conformemente alle normative locali, regionali e nazionali.

La maggior parte dei detergenti di laboratorio sono utilizzati a concentrazioni raccomandate. I detergenti neutri, come Liquinox, sono più sicuri quando è necessaria una pulizia regolare. Per ridurre i tempi di pulizia, aumentare la temperatura o utilizzare un bagno a ultrasuoni. Per completare la pulizia, sciacquare alcune volte con acqua deionizzata e lasciare che la cella campione si asciughi all'aria. Le celle campione possono essere pulite con acido, seguito da un accurato risciacquo con acqua deionizzata.

Nota: Utilizzare sempre l'acido per pulire le celle campione utilizzate per test di metallo a basso livello.

Metodi di pulizia speciali sono necessari per singole procedure. Quando viene utilizzato un pennello per pulire le celle campione, fare molta attenzione a non graffiare le superfici interne delle celle campione.

9.3 Sostituzione delle batterie

Sostituire le batterie quando il livello di carica è basso. Fare riferimento a [Installazione delle batterie](#) a pagina 104.

Sezione 10 Risoluzione dei problemi

Errore	Descrizione	Soluzione
E-00	Mancato azzeramento	In modalità di calibrazione utente, è stata misurata una soluzione standard prima di impostare lo strumento su zero. Misurare un bianco per azzerare lo strumento.
E-01	Errore luce ambiente ⁷	Presenza di luce ambiente nel vano cella. Assicurarsi che il coperchio dello strumento sia montato correttamente sul vano cella. Fare riferimento alla sezione Esecuzione di un test a pagina 107.
E-02	Errore LED ⁷	Il LED (sorgente luminosa) è fuori regolazione. Sostituire le batterie. Accertarsi che il LED nel vano cella si accenda quando si preme  o  .
E-03	Errore di regolazione standard	<ul style="list-style-type: none">• Il valore misurato della soluzione standard supera i limiti di regolazione. Preparare uno standard nuovo.• La soluzione standard non rientra nel range di concentrazione che può essere utilizzata per la modifica della calibrazione standard. Preparare uno standard con un valore pari o vicino alle concentrazioni consigliate fornite nella procedura.• Assicurarsi che la concentrazione della soluzione standard venga immessa correttamente.

⁷ Quando si verifica un errore E-01 o E-02 su una misurazione, il display visualizza "_._.". La posizione decimale dipende dalla composizione chimica. Se si verifica l'errore E-01 o E-02 mentre lo strumento è azzerato, reimpostare lo strumento su zero.

Errore	Descrizione	Soluzione
Il valore lampeggia seguito da E-04	Il valore è superiore o inferiore alla gamma dello strumento. ⁸	Se il valore è inferiore al range dello strumento, assicurarsi che il coperchio dello strumento sia montato correttamente sul vano cella. Misurare un bianco. Se il valore del bianco non è pari a zero, azzerare di nuovo lo strumento.
		Se il valore è superiore al range dello strumento, identificare un eventuale percorso luminoso bloccato nel vano cella. Diluire il campione. Ripetere il test.
E-06	Errore di assorbanza	Il valore di assorbanza non è corretto o la curva di calibrazione immessa dall'utente presenta meno di due punti. Immettere o misurare di nuovo il valore di assorbanza.
E-07	Errore valore standard	La concentrazione della soluzione standard è uguale alla concentrazione di un'altra soluzione standard già specificata nella curva di calibrazione immessa dall'utente. Immettere la concentrazione standard corretta.
E-09	Errore memoria Flash	Lo strumento non è in grado di salvare i dati. Tenere premuto  per 5 secondi per azzerare lo strumento.
E-10	La temperatura ambiente è troppo elevata o troppo bassa	La temperatura ambiente è fuori gamma. Utilizzare lo strumento solo nelle condizioni di funzionamento specificate. Fare riferimento alla sezione Specifiche tecniche a pagina 99.
E-12	Livello di carica basso	Il livello di carica è troppo basso. Sostituire le batterie. Fare riferimento alla sezione Installazione delle batterie a pagina 104.
E-13	Errore di caricamento parametri	La memoria dello strumento è difettosa. Contattare il servizio di assistenza tecnica.

⁸ Il valore che lampeggia sarà superiore del 10% al limite massimo della gamma di test.

Errore	Descrizione	Soluzione
E-14 seguito da "._:_" o "0" in assenza di azzeramento	Misura zero non valida	La misura zero è troppo bassa. Utilizzare una cella campione riempita con acqua e riprovare. Se il l'errore persiste, contattare il servizio di assistenza tecnica.
E-15 seguito da "._:_"	Assorbanza troppo elevata	Identificare la presenza di un eventuale percorso luminoso bloccato nel vano cella. Pulire il vano cella. Diluire il campione. Ripetere il test. <i>Nota: Questo strumento non può leggere i valori di assorbanza superiori a 3,5 Abs.</i>
E-20	Misura del segnale fuori gamma	Presenza di una quantità eccessiva di luce sul rilevatore luminoso. Assicurarsi che il coperchio dello strumento sia montato correttamente sul vano cella. Ripetere il test. Se il l'errore persiste, contattare il servizio di assistenza tecnica.
E-21	Misura del segnale instabile	Presenza di un segnale instabile sul rilevatore luminoso. Presenza di una luce ambiente eccessiva o instabile. Assicurarsi che il coperchio dello strumento sia montato correttamente sul vano cella. Ripetere il test. Se il l'errore persiste, contattare il servizio di assistenza tecnica.
E-22	Errore hardware	Il sistema elettronico è difettoso. Contattare il servizio di assistenza tecnica.

I seguenti errori si possono verificare immediatamente dopo un aggiornamento dello strumento.

Errore	Descrizione	Soluzione
E-30	Nessuna applicazione	Si è verificato un errore durante l'aggiornamento dell'applicazione. Sullo strumento non è stata trovata un'applicazione valida. Aggiornare di nuovo lo strumento.
E31	Aggiornamento del bootloader non riuscito	Si è verificato un errore durante la trasmissione dell'aggiornamento del bootloader. Aggiornare di nuovo il bootloader.

Errore	Descrizione	Soluzione
E-32	Aggiornamento dell'applicazione non riuscito	Si è verificato un errore durante la trasmissione dell'aggiornamento dell'applicazione. Aggiornare di nuovo lo strumento.
E-66	Aggiornamento non riuscito	Lo strumento presenta un problema. Contattare il servizio di assistenza tecnica.

Sezione 11 Parti di ricambio e accessori

▲ AVVERTENZA



Pericolo di lesioni personali. L'uso di parti non approvate può causare lesioni personali, danni alla strumentazione o malfunzionamenti dell'apparecchiatura. La parti di ricambio riportate in questa sezione sono approvate dal produttore.

Nota: numeri di prodotti e articoli possono variare per alcune regioni di vendita. Contattare il distributore appropriato o fare riferimento al sito Web dell'azienda per dati di contatto.

Parti di ricambio

Descrizione	Quantità	Prodotto n.
Batterie AAA, alcaline	4/conf	4674300
Coperchio dello strumento	1	LPZ445.99.00006
Coperchio della batteria	1	LPZ445.99.00007
Cella campione, 25 mm (10 mL), vetro	6/conf	2427606
Cella campione, 1 cm (10 mL), plastica	2/conf	4864302

Accessori

Descrizione	Quantità	Prodotto n.
Dongle di comunicazione Hach	1	LPV446.99.00012
Custodia/valigetta con lati morbidi	1	5953100

Índice

- | | | | | | |
|---|-------------------------------------|---------------|----|------------------------------------|---------------|
| 1 | Especificações | na página 122 | 7 | Apresentar medições | na página 134 |
| 2 | Informação geral | na página 123 | 8 | Calibração | na página 134 |
| 3 | Instalação das pilhas | na página 127 | 9 | Manutenção | na página 140 |
| 4 | Interface do utilizador e navegação | na página 128 | 10 | Resolução de problemas | na página 142 |
| 5 | Definir a hora | na página 129 | 11 | Acessórios e peças de substituição | na página 145 |
| 6 | Realizar um teste | na página 130 | | | |

Secção 1 Especificações

As especificações podem ser alteradas sem aviso prévio.

Especificação	Detalhes
Dimensões (L x A x P)	6,9 x 15,7 x 3,4 cm (2,7 x 6,2 x 1,3 pol.)
Estrutura	IP67, impermeável a 1 m (3,3 pés) durante 30 minutos quando o compartimento das pilhas está fechado e bloqueado.
Fonte de luz	Díodo de emissão de luz (LED)
Detector	Fotodíodo de silício
Ecrã	LCD com retroiluminação
Peso	0,25 kg (0,55 lb)
Requisitos de energia	4 pilhas AAA; vida útil para aproximadamente 5000 análises (a utilização da retroiluminação diminui este número) Não se recomenda a utilização de pilhas recarregáveis.
Ambiente de funcionamento	0 a 50 °C (32 a 122 °F); 0 a 90% de humidade relativa, sem condensação
Temperatura de armazenamento	-20 a 55 °C (-4 a 131 °F); 0 a 80% de humidade relativa, sem condensação
Comprimento de onda	Comprimento de onda fixo de ± 2 nm, diferente para cada modelo
Largura de banda do filtro	15 nm
Intervalo de absorvância	0% a 2,5 Abs
Recipiente de amostra	25 mm (10 ml) e 1 cm (10 ml)

Especificação	Detalhes
Armazenamento de dados	Últimas 50 medições
Bluetooth® ¹	O Bluetooth® está ligado quando o dongle de comunicação opcional da Hach está instalado.
Certificações	CE
Garantia	1 ano (UE: 2 anos)

Secção 2 Informação geral

Em caso algum o fabricante será responsável por quaisquer danos directos, indirectos, especiais, acidentais ou consequenciais resultantes de qualquer incorrecção ou omissão deste manual. O fabricante reserva-se o direito de, a qualquer altura, efectuar alterações neste manual ou no produto nele descrito, sem necessidade de o comunicar ou quaisquer outras obrigações. As edições revistas encontram-se disponíveis no website do fabricante.

2.1 Informações de segurança

O fabricante não é responsável por quaisquer danos resultantes da aplicação incorrecta ou utilização indevida deste produto, incluindo, mas não limitado a, danos directos, incidentais e consequenciais, não se responsabilizando por tais danos ao abrigo da lei aplicável. O utilizador é o único responsável pela identificação de riscos de aplicação críticos e pela instalação de mecanismos adequados para a protecção dos processos na eventualidade de uma avaria do equipamento.

Leia este manual até ao fim antes de desembalar, programar ou utilizar o aparelho. Dê atenção a todos os avisos relativos a perigos e precauções. A não leitura destas instruções pode resultar em lesões graves para o utilizador ou em danos para o equipamento.

Certifique-se de que a protecção oferecida por este equipamento não é comprometida. Não o utilize ou instale senão da forma especificada neste manual.

¹ A marca denominativa e os logótipos Bluetooth® são marcas comerciais registadas propriedade da Bluetooth SIG, Inc. e qualquer utilização de tais marcas pela HACH é efectuada sob licença.

2.1.1 Uso da informação de perigo

▲ PERIGO

Indica uma situação de perigo potencial ou eminente que, se não for evitada, resultará em morte ou lesões graves.

▲ ADVERTÊNCIA

Indica uma situação de perigo potencial ou eminente que, se não for evitada, poderá resultar em morte ou lesões graves.

▲ AVISO

Indica uma situação de perigo potencial, que pode resultar em lesões ligeiras a moderadas.

ATENÇÃO

Indica uma situação que, se não for evitada, pode causar danos no equipamento. Informação que requer ênfase especial.

2.1.2 Avisos de precaução

Leia todos os avisos e etiquetas do equipamento. A sua não observação pode resultar em lesões para as pessoas ou em danos para o aparelho. Um símbolo no aparelho é referenciado no manual com uma frase de precaução.

	Quando encontrar este símbolo no equipamento, isto significa que deverá consultar o manual de instruções para obter informações sobre o funcionamento do equipamento e/ou de segurança.
	O equipamento eléctrico marcado com este símbolo não pode ser eliminado nos sistemas europeus de recolha de lixo doméstico e público. Devolva os equipamentos antigos ou próximos do final da sua vida útil ao fabricante para que os mesmos sejam eliminados sem custos para o utilizador.

2.1.3 Certificação

Regulamento Canadano de Equipamentos Causadores de Interferências, ICES-003, Classe A:

Os registos de suporte dos testes estão na posse do fabricante.

Este aparelho de Classe B obedece a todos os requisitos dos Regulamentos Canadianos de Equipamentos Causadores de Interferências.

Cet appareil numérique de classe B répond à toutes les exigences de la réglementation canadienne sur les équipements provoquant des interférences.

Parte 15 FCC, Limites da Classe "B"

Os registos de suporte dos testes estão na posse do fabricante. Este aparelho está conforme com a Parte 15 das Normas FCC. O funcionamento está sujeito às duas condições seguintes:

1. O equipamento não provoca interferências nocivas.
2. O equipamento deve aceitar qualquer interferência recebida, incluindo interferências suscetíveis de determinar um funcionamento indesejado.

Alterações ou modificações efetuadas nesta unidade que não sejam expressamente aprovadas pela entidade responsável pela conformidade podem retirar ao utilizador a legitimidade de usar o aparelho. Este equipamento foi testado e considerado conforme relativamente aos limites para os dispositivos digitais de Classe B, de acordo com a Parte 15 das Normas FCC. Estes limites estão desenhados para fornecer proteção razoável contra interferências prejudiciais quando o equipamento for operado num ambiente comercial. Este equipamento gera, utiliza e pode irradiar energia de radiofrequência e, se não for instalado e utilizado em conformidade com o manual de instruções, poderá provocar interferências nocivas com comunicações por rádio. É provável que a utilização deste equipamento numa zona residencial provoque interferências nocivas. Neste caso, o utilizador deverá corrigi-las pelos seus próprios meios. As técnicas a seguir podem ser utilizadas para diminuir os problemas de interferência:

1. Afaste o equipamento do dispositivo que está a receber a interferência.
2. Reposicione a antena de receção do dispositivo que está a receber a interferência.
3. Experimente combinações das sugestões anteriores.

2.2 Descrição geral do produto

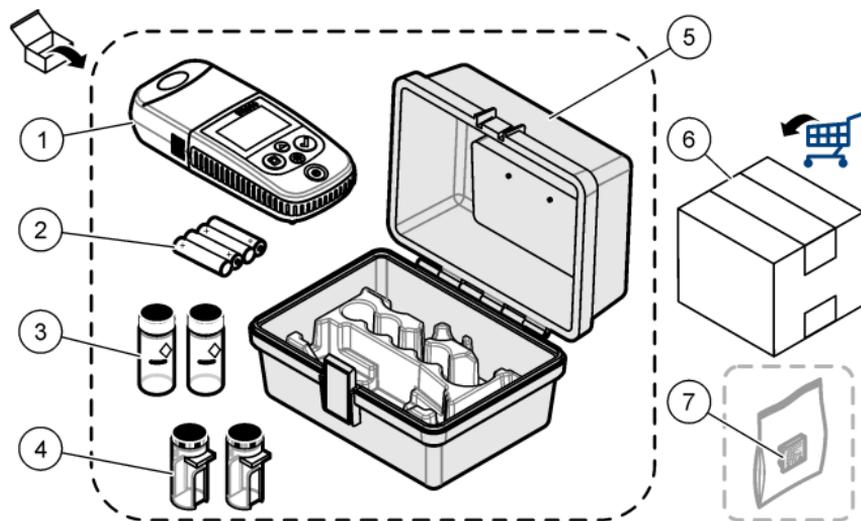
Este equipamento é um fotómetro de filtro portátil utilizado para realizar análises à água.

Nota: Este equipamento não foi avaliado relativamente a medições de cloro e de cloraminas em aplicações clínicas nos EUA.

2.3 Componentes do produto

Certifique-se de que recebeu todos os componentes. Consulte [Figura 1](#). Se algum dos itens estiver em falta ou apresentar danos, contacte imediatamente o fabricante ou um representante de vendas. A [Figura 1](#) é um exemplo e apresenta as peças fornecidas com o LPV445.99.00110. Outros equipamentos são fornecidos com componentes diferentes.

Figura 1 Componentes do produto



1 DR300	5 Caixa de armazenamento
2 Pilhas alcalinas AAA	6 Reagentes
3 Recipientes de amostra, 25 mm (10 ml), vidro	7 Dongle de comunicação da Hach (opcional, fornecido em separado)
4 Recipientes de amostra, 1 cm (10 ml), plástico	

Secção 3 Instalação das pilhas

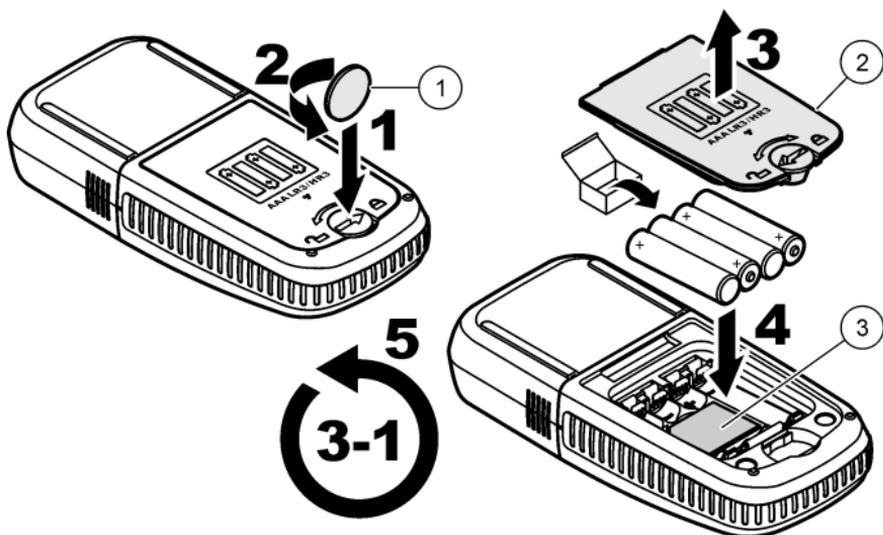
⚠ ADVERTÊNCIA



Perigo de explosão. A instalação indevida das pilhas pode provocar a libertação de gases explosivos. Certifique-se de que as pilhas correspondem ao tipo de produto químico aprovado e de que as insere na orientação correta. Não misture pilhas novas com pilhas usadas.

Consulte a [Figura 2](#) para instalar as pilhas. Em seguida, prima  para ligar o equipamento.

Figura 2 Instalação das pilhas



1 Moeda	3 Encaixe de plástico para dongle ²
2 Tampa do compartimento das pilhas	

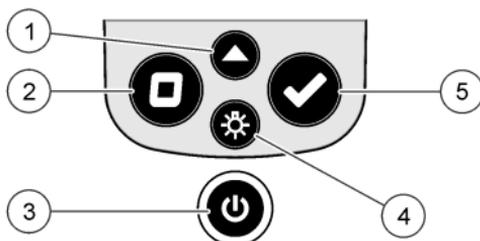
² Retire o encaixe de plástico apenas para instalar o dongle de comunicação da Hach. Consulte as instruções de instalação fornecidas com o dongle.

Secção 4 Interface do utilizador e navegação

4.1 Descrição do teclado

A [Figura 3](#) apresenta o teclado e indica as respectivas funções.

Figura 3 Teclado

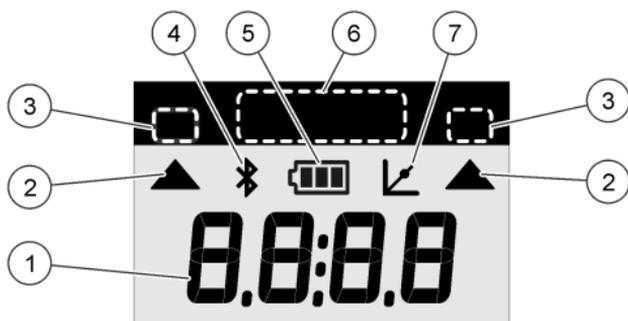


<p>1 Tecla de intervalo: selecciona o intervalo de medição (por ex., GB ou GA). Prima e mantenha premido durante 3 segundos para entrar ou sair do modo de menu. No modo de menu, arrasta a página para cima ou aumenta o valor do dígito seleccionado.</p>	<p>4 Tecla de retroiluminação: liga e desliga a retroiluminação. No modo de menu, arrasta a página para baixo ou diminui o valor do dígito seleccionado.</p>
<p>2 Tecla zero: define o valor para zero antes de uma medição. No modo de menu, retrocede um nível de menu ou desloca o cursor para o dígito anterior.</p>	<p>5 Tecla de leitura: inicia a medição de uma amostra. No modo de menu, selecciona a opção do menu apresentada ou desloca o cursor para o dígito seguinte.</p>
<p>3 Tecla de alimentação: liga e desliga o equipamento. Prima e mantenha premido durante 5 segundos para reinicializar o equipamento. A calibração não é eliminada.</p>	

4.2 Descrição do ecrã

A Figura 4 apresenta os valores e os ícones apresentados no ecrã.

Figura 4 Ecrã



1 Visor numérico: valores medidos ou opções do menu	5 Ícone de pilha: nível de carga das pilhas. Fica intermitente quando as pilhas estão fracas.
2 Ícone de intervalo: indica o intervalo de medição seleccionado	6 Parâmetro e intervalos de medição
3 Intervalos ou parâmetros de medição	7 Ícone de calibração ajustada: a calibração predefinida de fábrica foi ajustada ou foi introduzida uma curva de calibração pelo utilizador.
4 Ícone de Bluetooth®: o Bluetooth® está ligado ³ .	

Secção 5 Definir a hora

Defina a hora (formato de 24 horas).

1. Prima e mantenha premido ▲ durante 3 segundos para entrar no modo de menu.
É apresentada a hora (ou 00:00).
2. Prima ✓ para definir a hora.
3. Prima ▲ ou ☀ para alterar o número que está intermitente. Prima ✓ para avançar para o dígito seguinte. Prima □ para retroceder para o dígito anterior.

³ Apresentado quando o dongle de comunicação da Hach está instalado.

Secção 6 Realizar um teste

▲ PERIGO



Perigo químico ou biológico. Se utilizar o equipamento para monitorizar um processo de tratamento e/ou um sistema de alimentação química para o qual existem limites regulamentares e requisitos de monitorização relacionados com a saúde pública, segurança pública, fabrico ou processamento de alimentos ou bebidas, é da responsabilidade do utilizador deste equipamento conhecer e cumprir a regulamentação aplicável e dispor de mecanismos suficientes e adequados para estar em conformidade com os regulamentos aplicáveis na eventualidade de avaria do equipamento.

▲ PERIGO



Perigo de exposição a produtos químicos. Siga os procedimentos de segurança do laboratório e utilize todo o equipamento de proteção pessoal adequado aos produtos químicos manuseados. Consulte as fichas de dados sobre segurança de materiais (MSDS/SDS) atuais para protocolos de segurança.

▲ AVISO



Perigo de exposição a produtos químicos. Elimine os produtos químicos e os resíduos de acordo com os regulamentos locais, regionais e nacionais.

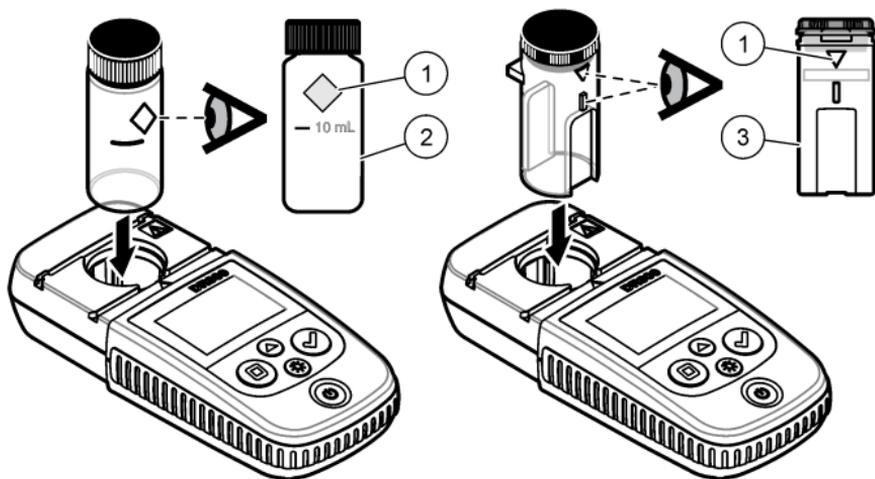
Em seguida, são apresentados os passos genéricos para realizar um teste.

Para realizar um teste de um parâmetro específico (por ex., cloro), transfira o procedimento de teste a partir do website do fabricante. Consulte [Transferir um procedimento de teste](#) na página 133.

1. Prima ▲ para seleccionar o intervalo de medição aplicável (por ex., GB ou GA).
2. Prepare o recipiente de amostra vazio. Consulte o procedimento de teste.
3. Limpe o recipiente de amostra com um pano que não liberte pêlo.

4. Introduza o recipiente de amostra vazio no suporte do recipiente. Certifique-se de que instala o recipiente de amostra vazio na posição correcta e de modo consistente para que os resultados sejam repetíveis e exactos. Consulte [Figura 5](#).
5. Instale a tampa do equipamento sobre o suporte do recipiente. Consulte [Figura 6](#).
6. Prima **0** para definir o equipamento para zero.
7. Retire o recipiente de amostra vazio.
8. Prepare a amostra. Consulte o procedimento de teste.
9. Limpe o recipiente de amostra com um pano que não liberte pêlo.
10. Introduza o recipiente de amostra no suporte do recipiente. Certifique-se de que instala o recipiente de amostra na posição correcta e de modo consistente para que os resultados sejam repetíveis e exactos. Consulte [Figura 5](#).
11. Instale a tampa do equipamento sobre o suporte do recipiente. Consulte [Figura 6](#).
12. Prima **✓**. O ecrã apresenta os resultados em unidades de concentração ou absorvância.
Nota: O resultado é apresentado de forma intermitente, caso seja inferior ou superior ao intervalo do equipamento.
13. Retire o recipiente de amostra do suporte do recipiente.
14. Esvazie e enxagúe de imediato o recipiente de amostra. Enxagúe três vezes a tampa e o recipiente de amostra com água desionizada (ou água destilada).
Nota: Em alternativa, utilize água corrente para enxaguar o recipiente de amostra se a concentração das amostras medidas for superior à da água corrente.

Figura 5 Orientação do recipiente de amostra



1 Marca de orientação⁴

2 Recipiente de amostra, 25 mm (10 ml), vidro⁵

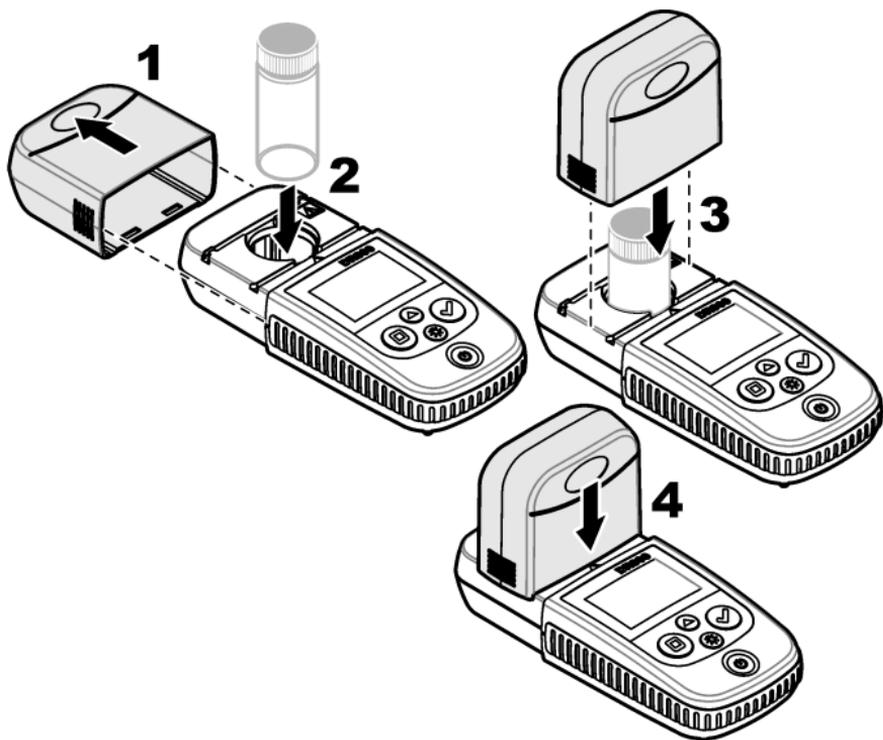
3 Recipiente de amostra, 1 cm (10 ml), plástico⁶

⁴ Algumas variantes do equipamento possuem recipientes de amostra sem marca de orientação.

⁵ Utilize o recipiente de amostra de vidro para testes de cloro de gama baixa.

⁶ Utilize o recipiente de amostra de plástico para testes de cloro de gama alta.

Figura 6 Instale a tampa do equipamento sobre o suporte do recipiente



6.1 Transferir um procedimento de teste

1. Acesse a <http://www.hach.com>.
2. Insira "DR300" na caixa de pesquisa.
3. Selecione a opção "Transferências" no lado esquerdo da caixa "Tipo de pesquisa".
4. Percorra o ecrã para baixo até "Methods/Procedures" (Métodos/Procedimentos).
5. Clique na ligação do procedimento de teste aplicável para o transferir.

Secção 7 Apresentar medições

Nota: O equipamento guarda um máximo de 50 medições. Após terem sido efectuadas 50 medições, as novas medições substituem as mais antigas.

1. Prima e mantenha premido ▲ durante 3 segundos.
 2. Prima ▲ até que seja apresentado "rCL" (Consultar) e, em seguida, prima ✓.
É apresentado "- 01 -". A medição 01 foi a última medição efectuada.
 3. Prima ✓ para avançar.
O número de medição é seguido pelo valor de medição e, em seguida, pela hora.
 4. Para aceder a um número de medição, prima ✓ até ser apresentado um número de medição; em seguida, prima ▲ ou ☼.
- Nota:** As medições não podem ser eliminadas.
5. Prima e mantenha premido ▲ durante 3 segundos para retroceder até ao modo de medição.

Secção 8 Calibração

Este equipamento foi calibrado na fábrica. Não necessita de ser calibrado pelo utilizador.

8.1 Ajuste de calibração padrão

Utilize a opção de ajuste de calibração padrão (SCA) quando a calibração tiver de ser ajustada para cumprir os requisitos regulamentares. A calibração de fábrica é ajustada ligeiramente com a opção de ajuste de calibração padrão (SCA), para que o equipamento apresente o valor esperado da solução padrão. A calibração ajustada passa a ser utilizada para todos os resultados de testes. Este ajuste pode aumentar a precisão do teste quando existem ligeiras variações nos reagentes ou equipamentos.

Nota: No caso de equipamentos com intervalos ou métodos calibrados de fábrica, a função de ajuste de calibração padrão (SCA) é desactivada quando o utilizador insere uma calibração no equipamento. Para voltar a ligar o SCA, defina o equipamento para a calibração predefinida de fábrica. Consulte [Definir a calibração predefinida de fábrica](#) na página 140.

8.1.1 Ajustar a calibração padrão

1. Realize o procedimento de teste para o intervalo a calibrar. Para a amostra, utilize a concentração de solução padrão indicada na documentação do procedimento de teste.

Nota: Se não for indicada uma concentração de solução padrão na documentação do procedimento de teste, pode utilizar um padrão diferente conhecido.

2. Após a conclusão do procedimento de teste, prima e mantenha premido ▲ durante 3 segundos.
3. Prima ▲ até que seja apresentado "SCA" (ajuste de calibração padrão) e, em seguida, prima ✓.
O ecrã apresenta o valor de ajuste de calibração padrão.
4. Se utilizar um padrão diferente conhecido, introduza o valor do padrão:

- a. Prima ▲ até que seja apresentado "Edit" (Editar) e, em seguida, prima ✓.

- b. Introduza o valor do padrão.

Prima ▲ ou ☼ para alterar o número que está intermitente.
Prima ✓ para avançar para o dígito seguinte. Prima □ para retroceder para o dígito anterior.

5. Prima ✓ para adicionar o valor de ajuste de calibração padrão à curva de calibração de fábrica.

8.1.2 Desligar o ajuste de calibração padrão

Para voltar a utilizar a calibração predefinida de fábrica, desligue o ajuste de calibração padrão (SCA).

1. Prima e mantenha premido ▲ durante 3 segundos para entrar no modo de menu.
2. Prima ▲ até que seja apresentado "SCA" (ajuste de calibração padrão) e, em seguida, prima ✓.
3. Prima ▲ até que seja apresentado "OFF" (Desligar) e, em seguida, prima ✓.

Nota: Para voltar a ligar a função de SCA, efectue um ajuste de calibração padrão.

8.2 Calibração introduzida pelo utilizador pelo utilizador

O equipamento aceita uma curva de calibração preparada pelo utilizador. A curva de calibração pode estar entre 0 e 2,5 de absorvância. Certifique-se de que a curva de calibração inclui os valores padrão que são inferiores e superiores ao intervalo de interesse.

O intervalo do equipamento será igual ao intervalo de calibração. Por exemplo, quando os padrões utilizados são 1,00, 2,00 e 4,00, o intervalo do equipamento é de 1,00 a 4,00.

Existem duas opções para introduzir uma curva de calibração do utilizador:

- **Introduza uma curva de calibração com padrões**—Os valores de solução padrão são introduzidos utilizando o teclado e os valores de absorvância são medidos.
- **Introduza uma curva de calibração utilizando o teclado.**—Os valores de solução padrão e de absorvância são introduzidos utilizando o teclado.

***Nota:** Se o equipamento for desligado ou a ficha for retirada da alimentação antes da conclusão da curva de calibração introduzida pelo utilizador, a curva de calibração não é guardada. O equipamento desliga-se automaticamente no modo de introdução de calibração introduzida pelo utilizador após 60 minutos de inactividade. As calibrações introduzidas pelo utilizador são concluídas quando o utilizador sai do modo de calibração (cal) ou do modo de edição.*

8.2.1 Introduzir uma curva de calibração com padrões

▲ ADVERTÊNCIA



Perigo de exposição a produtos químicos. Siga os procedimentos de segurança do laboratório e utilize todo o equipamento de proteção pessoal adequado aos produtos químicos manuseados. Consulte as fichas de dados sobre segurança de materiais (MSDS/SDS) para protocolos de segurança.

⚠ AVISO



Perigo de exposição a produtos químicos. Elimine os produtos químicos e os resíduos de acordo com os regulamentos locais, regionais e nacionais.

Nota: Em alternativa, pode utilizar água desionizada para o recipiente de amostra vazio, excepto se a amostra for significativamente mais turva ou tiver mais cor do que a água desionizada.

1. Prima **▲** para configurar o equipamento para o intervalo a calibrar (por ex., GB ou GA).
2. Prepare o recipiente de amostra vazio. Consulte o procedimento de teste.
3. Limpe o recipiente de amostra com um pano que não liberte pêlo.
4. Coloque o equipamento a zero.
 - a. Introduza o recipiente de amostra vazio no suporte do recipiente.
 - b. Instale a tampa do equipamento sobre o suporte do recipiente.
 - c. Prima **□**. O ecrã apresenta "- - -" e, em seguida, "0.00".
5. Prima e mantenha premido **▲** durante 3 segundos para entrar no modo de menu.
6. Prima **▲** até que seja apresentado "USER" (Utilizador) e, em seguida, prima **✓**.
7. Prima **▲** até que seja apresentado "CAL" (Calibração) e, em seguida, prima **✓**.
8. Quando "S0" for apresentado no ecrã, prima **✓**.
9. Insira 00.00 (ou 000.0) para o valor em branco.

Prima **▲** ou **☼** para alterar o número que está intermitente. Prima **✓** para avançar para o dígito seguinte. Prima **□** para retroceder para o dígito anterior.
10. Quando "A0" for apresentado no ecrã, prima **✓** para medir a absorvância do recipiente de amostra vazio.

O ecrã apresenta o valor de absorvância para "S0".
11. Retire o recipiente de amostra do suporte do recipiente.

12. Prepare a amostra. Consulte o procedimento de teste. Para a amostra, utilize a concentração de solução padrão indicada na documentação do procedimento de teste.
13. Limpe o recipiente de amostra com um pano que não liberte pêlo.
14. Prima ☼ para que "S1" (ou "Add" [Adicionar]) seja apresentado e, em seguida, prima ✓.
15. Insira o valor de concentração do primeiro padrão de calibração e, em seguida, prima ✓.
16. Quando "A1" for apresentado no ecrã, execute os passos que se seguem para medir a absorvância:
 - a. Introduza o recipiente de amostra do padrão da reacção no suporte do recipiente.
 - b. Instale a tampa do equipamento sobre o suporte do recipiente.
 - c. Prima ✓. O ecrã apresenta o valor de absorvância para "S1".
17. A calibração é concluída com dois pontos de calibração. Se forem necessários padrões adicionais para a calibração:

Execute novamente os passos 11-16 para medir mais padrões de calibração.
18. Retire o recipiente de amostra do suporte do recipiente.
19. Esvazie e enxagúe de imediato o recipiente de amostra. Enxagúe três vezes a tampa e o recipiente de amostra com água desionizada (ou água destilada).

Nota: Em alternativa, pode utilizar água corrente para enxaguar o recipiente de amostra se a concentração do parâmetro na água corrente for inferior à das amostras medidas.
20. Prima e mantenha premido ▲ durante 3 segundos para retroceder até ao modo de medição.

8.2.2 Introduzir uma curva de calibração utilizando o teclado

São necessários, pelo menos, dois pares de dados para introduzir uma curva de calibração preparada pelo utilizador. Para cada par de dados, são necessários o valor de concentração e o valor de absorvância para a concentração determinada. É possível introduzir até um máximo de 10 pares de dados.

1. Prima ▲ para configurar o equipamento para o intervalo a calibrar (por ex., GB ou GA).
2. Prima e mantenha premido ▲ durante 3 segundos para entrar no modo de menu.
3. Prima ▲ até que seja apresentado "USER" (Utilizador) e, em seguida, prima ✓.
4. Prima ▲ até que seja apresentado "Edit" (Editar) e, em seguida, prima ✓.
5. Quando "S0" for apresentado no ecrã, prima ✓.
6. Introduza o primeiro par de dados.

O primeiro par de dados é S0 (valor de concentração) e A0 (valor de absorvância).

- Prima ▲ ou ☼ para alterar o número que está intermitente.
- Prima ✓ para avançar para o dígito seguinte.
- Prima □ para retroceder para o dígito anterior.

7. Execute novamente os passos 5 e 6 para introduzir o segundo par de dados (S1 e A1).
8. A calibração é concluída com dois pares de dados. Se forem necessários pares de dados adicionais para a calibração:
 - a. Quando "Add" (Adicionar) for apresentado no ecrã, prima ✓.
 - b. Execute novamente os passos 5 e 6 para introduzir mais pares de dados.
9. Prima e mantenha premido ▲ durante 3 segundos para retroceder até ao modo de medição.

8.2.3 Definir a calibração predefinida de fábrica

Para eliminar uma curva de calibração inserida pelo utilizador do equipamento e utilizar a calibração de fábrica, execute os passos que se seguem:

1. Prima e mantenha premido ▲ durante 3 segundos para entrar no modo de menu.
2. Prima ▲ até que seja apresentado "USER" (Utilizador) e, em seguida, prima ✓.
3. Prima ▲ até que seja apresentado "dFL" (Predefinição) e, em seguida, prima ✓.

Secção 9 Manutenção

▲ AVISO



Vários perigos. Apenas pessoal qualificado deverá realizar as tarefas descritas nesta secção do documento.

ATENÇÃO

Não desmonte o equipamento para proceder à manutenção. Se for necessário limpar ou reparar os componentes internos, contacte o fabricante.

9.1 Limpeza do instrumento

Limpe a parte exterior do instrumento com um pano humedecido e uma solução de detergente suave e depois seque o instrumento, conforme necessário.

9.2 Limpeza dos recipientes de amostra

▲ AVISO



Perigo de exposição a produtos químicos. Siga os procedimentos de segurança do laboratório e utilize todo o equipamento de protecção pessoal adequado aos produtos químicos manuseados. Consulte as fichas de dados sobre segurança de materiais (MSDS/SDS) para protocolos de segurança.

⚠ AVISO



Perigo de exposição a produtos químicos. Elimine os produtos químicos e os resíduos de acordo com os regulamentos locais, regionais e nacionais.

A maioria dos detergentes de laboratório são utilizados com as concentrações recomendadas. Os detergentes neutros, como o Liquinox, são mais seguros quando é necessária uma limpeza regular. Para diminuir os tempos de limpeza, aumente a temperatura ou utilize um banho de ultrassons. Para terminar a limpeza, enxague algumas vezes com água desionizada e, em seguida, deixe o recipiente de amostra secar ao ar.

A limpeza dos recipientes de amostra também pode ser feita com ácido, seguido de um enxaguamento por completo com água desionizada.

Nota: *Utilize sempre ácido para lavar os recipientes de amostra que tenham sido usados para testes de metal de baixo nível*

Certos procedimentos requerem métodos de limpeza especiais. Se for utilizada uma escova para limpar os recipientes de amostra, é necessário ter cuidado adicional para evitar riscar as superfícies interiores dos recipientes de amostra.

9.3 Substituir as pilhas

Substitua as pilhas quando o nível de potência das mesmas se encontrar demasiado baixo. Consulte a [Instalação das pilhas](#) na página 127.

Secção 10 Resolução de problemas

Erro	Descrição	Solução
E-00	Não a zero	No modo de calibração pelo utilizador, foi medida uma solução padrão antes de o valor zero do equipamento ser definido. Meça uma solução de vazio para definir o equipamento para zero.
E-01	Erro de iluminação ambiente ⁷	Existe iluminação ambiente no suporte do recipiente. Certifique-se de que a tampa do equipamento se encontra completamente instalada no suporte do recipiente. Consulte Realizar um teste na página 130.
E-02	Erro do LED ⁷	O LED (fonte de iluminação) está desregulado. Substitua as pilhas. Certifique-se de que o LED existente no suporte do recipiente se acende quando prime <input checked="" type="checkbox"/> ou <input type="checkbox"/> .
E-03	Erro de ajuste padrão	<ul style="list-style-type: none">• O valor medido da solução padrão é superior aos limites de ajuste. Prepare uma solução padrão nova.• A solução padrão não se encontra dentro do intervalo de concentração que pode ser utilizado para o ajuste da calibração padrão. Prepare uma solução padrão com um valor dentro ou próximo das concentrações recomendadas indicadas no procedimento.• Certifique-se de que a concentração da solução padrão é correctamente introduzida.

⁷ Quando ocorre um erro E-01 ou E-02 numa medição, o ecrã apresenta "_._.". A casa decimal depende da composição química. Se ocorrer o erro E-01 ou E-02 durante a definição para zero do equipamento, defina novamente o equipamento para zero.

Erro	Descrição	Solução
Leitura intermitente, seguida de E-04	A leitura é superior ou inferior ao intervalo do equipamento. ⁸	Se a leitura for inferior ao intervalo do equipamento, certifique-se de que a tampa do equipamento se encontra completamente instalada no suporte do recipiente. Meça uma amostra de vazio. Se a leitura da amostra de vazio não for zero, defina novamente o equipamento para zero.
		Se a leitura tiver um valor superior ao intervalo do equipamento, verifique se existe algum bloqueio de iluminação no suporte do recipiente. Dilua a amostra. Volte a realizar a análise.
E-06	Erro de absorvância	O valor de absorvância não se encontra correcto ou a curva de calibração introduzida pelo utilizador possui menos de dois pontos. Introduza ou meça novamente o valor de absorvância.
E-07	Erro de valor padrão	A concentração de solução padrão é igual a outra concentração de solução padrão já introduzida na curva de calibração introduzida pelo utilizador. Introduza a concentração padrão correcta.
E-09	Erro intermitente	O equipamento não consegue guardar os dados. Prima e mantenha premido  durante 5 segundos para reinicializar o equipamento.
E-10	Temperatura ambiente demasiado elevada ou baixa	A temperatura ambiente está fora do intervalo. Utilize o equipamento apenas nas condições de funcionamento especificadas. Consulte Especificações na página 122.
E-12	Pilhas fracas	As pilhas estão demasiado fracas. Substitua as pilhas. Consulte Instalação das pilhas na página 127.

⁸ O valor intermitente estará 10% acima do limite superior do intervalo de teste.

Erro	Descrição	Solução
E-13	Falha ao carregar parâmetros	A memória do equipamento apresenta uma avaria. Contacte a assistência técnica.
E-14 seguido de "._._" ou "0" se estiver registado não a zero	Medição a zero inválida	A medição a zero é demasiado baixa. Utilize um recipiente de amostra com água e volte a tentar. Caso o erro não tenha sido solucionado, contacte a assistência técnica.
E-15 seguido de "._._"	Absorvância demasiado elevada	Identifique se existe um bloqueio de iluminação no suporte do recipiente. Limpe o suporte do recipiente. Dilua a amostra. Volte a realizar a análise. <i>Nota: Este equipamento não lê valores de absorvância superiores a 3,5 Abs.</i>
E-20	Medição do sinal fora do intervalo	Há demasiada luz no detector de luminosidade. Certifique-se de que a tampa do equipamento se encontra completamente instalada no suporte do recipiente. Volte a realizar a análise. Caso o erro não tenha sido solucionado, contacte a assistência técnica.
E-21	Medição de sinal instável	Existe um sinal instável no detector de luminosidade. Há demasiada luz ambiente ou esta é demasiado instável. Certifique-se de que a tampa do equipamento se encontra completamente instalada no suporte do recipiente. Volte a realizar a análise. Caso o erro não tenha sido solucionado, contacte a assistência técnica.
E-22	Erro de hardware	O sistema electrónico apresenta uma avaria. Contacte a assistência técnica.

Os erros seguintes podem ocorrer imediatamente após a actualização de um equipamento.

Erro	Descrição	Solução
E-30	Nenhuma aplicação	Ocorreu um erro durante a actualização da aplicação. Não foi encontrada uma aplicação válida no equipamento. Volte a actualizar o equipamento.
E31	A actualização do bootloader falhou	Ocorreu um erro durante a transmissão da actualização do bootloader. Volte a actualizar o bootloader.
E-32	A actualização da aplicação falhou	Ocorreu um erro durante a transmissão da actualização da aplicação. Volte a actualizar o equipamento.
E-66	A actualização falhou	O equipamento apresenta uma avaria. Contacte a assistência técnica.

Secção 11 Acessórios e peças de substituição

▲ ADVERTÊNCIA



Perigo de danos pessoais. A utilização de peças não aprovadas poderá causar ferimentos, danos ou avarias no equipamento. As peças de substituição mencionadas nesta secção foram aprovadas pelo fabricante.

Nota: Os números do Produto e Artigo podem variar consoante as regiões de venda. Para mais informações de contacto, contacte o distribuidor apropriado ou consulte o site web da empresa.

Peças de substituição

Descrição	Quantidade	Item n.º
Pilhas AAA, alcalinas	4/emb.	4674300
Tampa do equipamento	1	LPZ445.99.00006
Tampa do compartimento das pilhas	1	LPZ445.99.00007

Peças de substituição (continuação)

Descrição	Quantidade	Item n.º
Recipiente de amostra, 25 mm (10 ml), vidro	6/emb.	2427606
Recipiente de amostra, 1 cm (10 ml), plástico	2/emb.	4864302

Acessórios

Descrição	Quantidade	Item n.º
Dongle de comunicação da Hach	1	LPV446.99.00012
Caixa/coldre maleável	1	5953100

Inhoudsopgave

- | | | | |
|---|--|----|--|
| 1 | Specificaties op pagina 147 | 7 | Metingen weergeven op pagina 159 |
| 2 | Algemene informatie op pagina 148 | 8 | Kalibratie op pagina 159 |
| 3 | Batterijen plaatsen op pagina 152 | 9 | Onderhoud op pagina 165 |
| 4 | Gebruikersinterface en navigatie op pagina 153 | 10 | Problemen oplossen op pagina 166 |
| 5 | De tijd instellen op pagina 154 | 11 | Reserveonderdelen en accessoires op pagina 170 |
| 6 | Een test uitvoeren op pagina 155 | | |

Hoofdstuk 1 Specificaties

Specificaties kunnen zonder kennisgeving vooraf worden gewijzigd.

Specificatie	Details
Afmetingen (B x H x D)	6,9 x 15,7 x 3,4 cm (2,7 x 6,2 x 1,3 inch)
Behuizing	IP67, waterdicht tot 1 m (3,3 ft) gedurende 30 minuten wanneer het batterijvak is gesloten en vergrendeld.
Lichtbron	Light emitting diode (LED)
Detector	Siliconen fotodiode
Display	LCD met achtergrondverlichting
Gewicht	0,25 kg (0,55 lb)
Stroomvereisten	4 AAA-batterijen; geschatte levensduur van 5000 tests (bij gebruik van achtergrondverlichting is dit aantal lager) Oplaadbare batterijen worden niet aanbevolen.
Bedrijfsomgeving	0 tot 50 °C (32 tot 122 °F), 0 tot 90% relatieve vochtigheid, niet-condenserend
Opslagtemperatuur	-20 tot 55 °C (-4 tot 131 °F), 0 tot 80 % relatieve vochtigheid, niet-condenserend
Golflengte	Vaste golflengte ± 2 nm, verschillend voor elk model
Bandbreedte van filter	15 nm
Absorptiebereik	0 tot 2,5 abs
Monsterkuvet	25 mm (10 mL) en 1 cm (10 mL)
Gegevensopslag	Laatste 50 metingen

Specificatie	Details
Bluetooth® ¹	Bluetooth® is ingeschakeld wanneer de optionele Hach-communicatiedongle is geïnstalleerd.
Certificeringen	CE
Garantie	1 jaar (EU: 2 jaar)

Hoofdstuk 2 Algemene informatie

De fabrikant kan onder geen enkele omstandigheid aansprakelijk worden gesteld voor directe, indirecte, speciale, incidentele of continue schade die als gevolg van enig defect of onvolledigheid in deze handleiding is ontstaan. De fabrikant behoudt het recht om op elk moment, zonder verdere melding of verplichtingen, in deze handleiding en de producten die daarin worden beschreven, wijzigingen door te voeren. Gewijzigde versies zijn beschikbaar op de website van de fabrikant.

2.1 Veiligheidsinformatie

De fabrikant is niet verantwoordelijk voor enige schade door onjuist toepassen of onjuist gebruik van dit product met inbegrip van, zonder beperking, directe, incidentele en gevolgschade, en vrijwaart zich volledig voor dergelijke schade voor zover dit wettelijk is toegestaan. Uitsluitend de gebruiker is verantwoordelijk voor het identificeren van kritische toepassingsrisico's en het installeren van de juiste mechanismen om processen te beschermen bij een mogelijk onjuist functioneren van apparatuur.

Lees deze handleiding voor het uitpakken, installeren of gebruiken van het instrument. Let op alle waarschuwingen. Wanneer u dit niet doet, kan dit leiden tot ernstig persoonlijk letsel of schade aan het instrument.

Controleer voor gebruik of het instrument niet beschadigd is. Het instrument mag op geen andere wijze gebruikt worden dan als in deze handleiding beschreven.

¹ Het Bluetooth®-woordmerk en de logo's zijn gedeponeerde handelsmerken van Bluetooth SIG, Inc. en elk gebruik van deze merken door Hach is onder licentie.

2.1.1 Gebruik van gevareninformatie

▲ GEVAAR

Geeft een potentieel gevaarlijke of dreigende situatie aan die, als deze niet kan worden voorkomen, kan resulteren in dodelijk of ernstig letsel.

▲ WAARSCHUWING

Geeft een potentieel of op handen zijnde gevaarlijke situatie aan, die als deze niet wordt vermeden, kan leiden tot de dood of ernstig letsel.

▲ VOORZICHTIG

Geeft een mogelijk gevaarlijke situatie aan die kan resulteren in minder ernstig letsel of lichte verwondingen.

LET OP

Duidt een situatie aan die (indien niet wordt voorkomen) kan resulteren in beschadiging van het apparaat. Informatie die speciaal moet worden benadrukt.

2.1.2 Waarschuwinglabels

Lees alle labels en etiketten die op het instrument zijn bevestigd. Het niet naleven van deze waarschuwingen kan leiden tot letsel of beschadiging van het instrument. In de handleiding wordt door middel van een veiligheidsvoorschrift uitleg gegeven over een symbool op het instrument.

	Dit symbool, indien op het instrument aangegeven, verwijst naar de handleiding voor bediening en/of veiligheidsinformatie.
	Elektrische apparatuur gemarkeerd met dit symbool mag niet worden afgevoerd via Europese systemen voor afvoer van huishoudelijk of openbaar afval. Oude apparatuur of apparatuur aan het einde van zijn levensduur kan naar de fabrikant worden geretourneerd voor kosteloze verwerking.

2.1.3 Certificering

Canadese norm inzake apparatuur die radio-interferentie veroorzaakt, ICES-003, Klasse A:

Aanvullende informatie en testresultaten zijn via de fabrikant verkrijgbaar.

Dit apparaat van klasse B voldoet aan alle eisen van de Canadese norm IECS-003.

Cet appareil numérique de classe B répond à toutes les exigences de la réglementation canadienne sur les équipements provoquant des interférences.

FCC deel 15, bepalingen klasse "B"

Aanvullende informatie en testresultaten zijn via de fabrikant verkrijgbaar. Dit instrument voldoet aan Deel 15 van de FCC-voorschriften. Het gebruik van dit instrument is aan de volgende voorwaarden onderworpen:

1. Het instrument mag geen schadelijke storingen veroorzaken.
2. Het instrument moet elke willekeurige ontvangen storing accepteren, inclusief storingen die mogelijk een ongewenste invloed kunnen hebben.

Door veranderingen of aanpassingen aan dit toestel die niet uitdrukkelijk zijn goedgekeurd door de partij verantwoordelijk voor certificering, kan de certificering van dit instrument komen te vervallen. Dit apparaat is getest en voldoet aan de normen voor een elektrisch instrument van Klasse B, volgens Deel 15 van de FCC-voorschriften. Deze bepalingen zijn vastgesteld om een redelijke bescherming te bieden tegen hinderlijke storingen wanneer het instrument in een commerciële omgeving wordt gebruikt. Dit instrument produceert en gebruikt radiogolven, en kan deze uitstralen. Als het niet wordt geïnstalleerd en gebruikt volgens de handleiding, kan het hinderlijke storing voor radiocommunicatie veroorzaken. Gebruik van het instrument in een woonomgeving zal waarschijnlijk zorgen voor hinderlijke storing. De gebruiker dient deze storing dan op eigen kosten te verhelpen. Om storingen op te lossen kan het volgende worden geprobeerd:

1. Plaats het apparaat weg van het apparaat waarop de storing van toepassing is.
2. Verplaats de ontvangstantenne voor het apparaat dat de storing ontvangt.
3. Probeer verschillende combinaties van de hierboven genoemde suggesties.

2.2 Productoverzicht

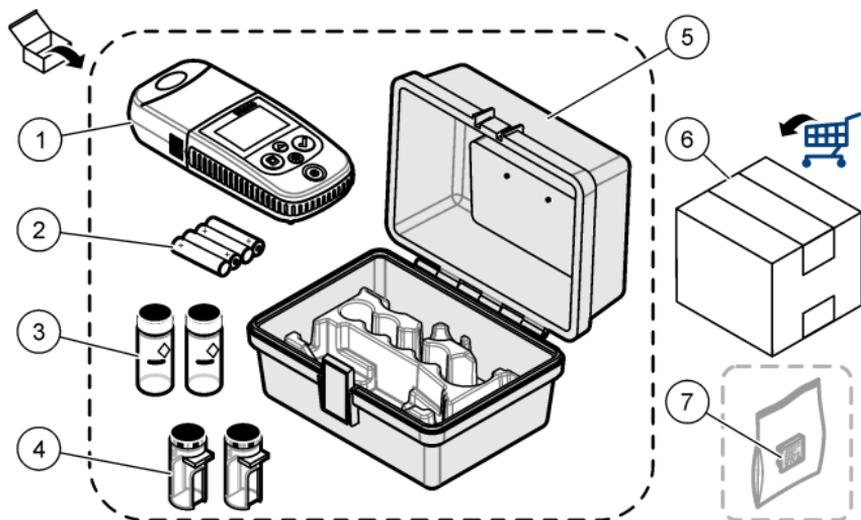
Dit instrument is een draagbare filterfotometer die wordt gebruikt voor het testen van water.

Opmerking: Dit instrument is niet beoordeeld om chloor en chlooramines te meten in medische toepassingen in de Verenigde Staten.

2.3 Productcomponenten

Controleer of alle componenten zijn ontvangen. Raadpleeg [Afbeelding 1](#). Neem onmiddellijk contact op met de fabrikant of een verkoopvertegenwoordiger in geval van ontbrekende of beschadigde onderdelen. [Afbeelding 1](#) is een voorbeeld en toont de onderdelen die zijn geleverd met LPV445.99.00110. Andere instrumenten worden geleverd met andere onderdelen.

Afbeelding 1 Productcomponenten



1 DR300	5 Opbergkoffer
2 AAA-alkalinebatterijen	6 Reagentia
3 Monsterkuvetten, 25 mm (10 mL), glas	7 Hach-communicatiedongle (optioneel, afzonderlijk geleverd)
4 Monsterkuvetten, 1 cm (10 mL), kunststof	

Hoofdstuk 3 Batterijen plaatsen

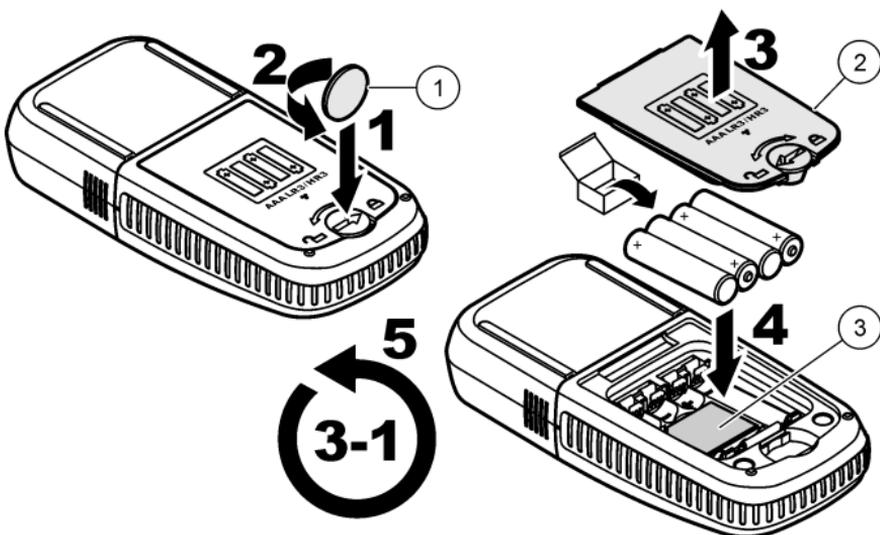
⚠ WAARSCHUWING



Explosiegevaar. Door onjuiste plaatsing van de batterijen kunnen explosieve gassen vrijkomen. Controleer of de batterijen van hetzelfde goedgekeurde chemische type zijn en in de juiste richting zijn aangebracht. Gebruik nieuwe batterijen nooit samen met oude batterijen.

Raadpleeg [Afbeelding 2](#) om de batterijen te plaatsen. Druk op  om het instrument in te schakelen.

Afbeelding 2 Batterijen plaatsen



1 Muntje

2 Batterijdeksel

3 Kunststof inzetstuk voor dongle²

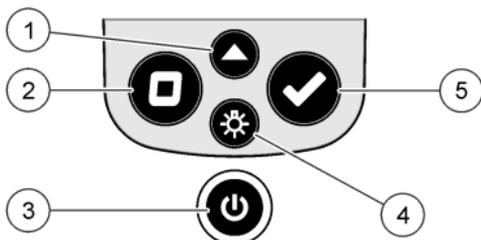
² Verwijder het kunststof inzetstuk alleen om de Hach-communicatiedongle te plaatsen. Raadpleeg de installatie-instructies die bij de dongle zijn meegeleverd.

Hoofdstuk 4 Gebruikersinterface en navigatie

4.1 Beschrijving toetsenblok

Afbeelding 3 toont het toetsenbord en de functies van de toetsen.

Afbeelding 3 Toetsenbord

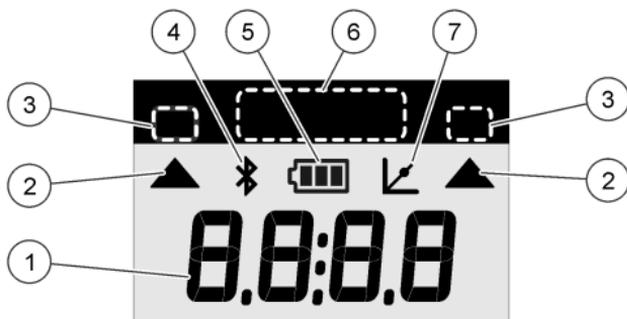


<p>1 Bereiktoets: selecteert het meetbereik (bijvoorbeeld LR of HR). Houd 3 seconden ingedrukt om de menumodus te openen of af te sluiten. In de menumodus: scrolt omhoog of verhoogt de waarde van het geselecteerde cijfer.</p>	<p>4 Toets voor achtergrondverlichting: schakelt de achtergrondverlichting in of uit. In de menumodus: scrolt omlaag of verlaagt de waarde van het geselecteerde cijfer.</p>
<p>2 Nultoets: stelt de nulwaarde in voorafgaand aan een meting. In de menumodus: gaat een menuniveau omhoog of verplaatst de cursor naar het vorige cijfer.</p>	<p>5 Leestoets: start een monstermeting. In de menumodus: selecteert de menuoptie die wordt weergegeven of verplaatst de cursor naar het volgende cijfer.</p>
<p>3 Aan/uit-toets: schakelt de voeding in of uit. Houd 5 seconden ingedrukt om het instrument te resetten. De kalibratie wordt niet verwijderd.</p>	

4.2 Beschrijving van het display

Afbeelding 4 toont de waarden en pictogrammen die op het display worden weergegeven.

Afbeelding 4 Display



1 Numerieke weergave: gemeten waarde of menuopties	5 Batterijpictogram: batterijlading. Knippert wanneer de batterijlading laag is.
2 Bereikpictogram: wijst naar het geselecteerde meetbereik	6 Parameter- en meetbereiken
3 Meetbereiken of -parameters	7 Pictogram voor aanpassing kalibratie: de standaard fabriekskalibratie werd aangepast of er werd een kalibratiecurve ingevoerd door de gebruiker.
4 Bluetooth®-pictogram: Bluetooth® is ingeschakeld ³ .	

Hoofdstuk 5 De tijd instellen

Stel de tijd (24-uurnotatie) in.

1. Houd ▲ 3 seconden ingedrukt om de menumodus te openen. De tijd (of 00:00) wordt weergegeven.
2. Druk op ✓ om de tijd in te stellen.
3. Druk op ▲ of ☼ om het knipperende nummer te wijzigen. Druk op ✓ om naar het volgende cijfer te gaan. Druk op □ om terug te keren naar het vorige scherm.

³ Geeft aan wanneer de Hach-communicatiedongle is geïnstalleerd.

Hoofdstuk 6 Een test uitvoeren

▲ GEVAAR



Chemische of biologische gevaren. Als dit instrument wordt gebruikt voor het sturen van een proces en/of het doseren van chemicaliën waarvoor wettelijke voorschriften en/of eisen gelden ten aanzien van de volksgezondheid, de veiligheid, de productie of het verwerken van voedingsmiddelen of dranken, dient de gebruiker er zorg voor te dragen dat hij/zij bekend is met deze voorschriften en/of eisen en deze na te leven. Tevens dient de gebruiker er zorg voor te dragen dat er voldoende maatregelen getroffen zijn en eventueel vereist materiaal aanwezig is om aan de geldende wetten en eisen in geval van een defect te voldoen.

▲ GEVAAR



Gevaar van blootstelling aan chemicaliën. Volg alle veiligheidsvoorschriften van het laboratorium op en draag alle persoonlijke beschermingsmiddelen die geschikt zijn voor de gehanteerde chemicaliën. Raadpleeg de huidige veiligheidsinformatiebladen (MSDS/SDS) voor veiligheidsprotocollen.

▲ VOORZICHTIG



Gevaar van blootstelling aan chemicaliën. Chemicaliën en afval dienen te worden afgevoerd in overeenstemming met de plaatselijke, regionale en nationale voorschriften.

De algemene stappen voor het uitvoeren van een test volgen.

Om een test uit te voeren voor een specifieke parameter (bijv. chloor), downloadt u de testprocedure van de website van de fabrikant.

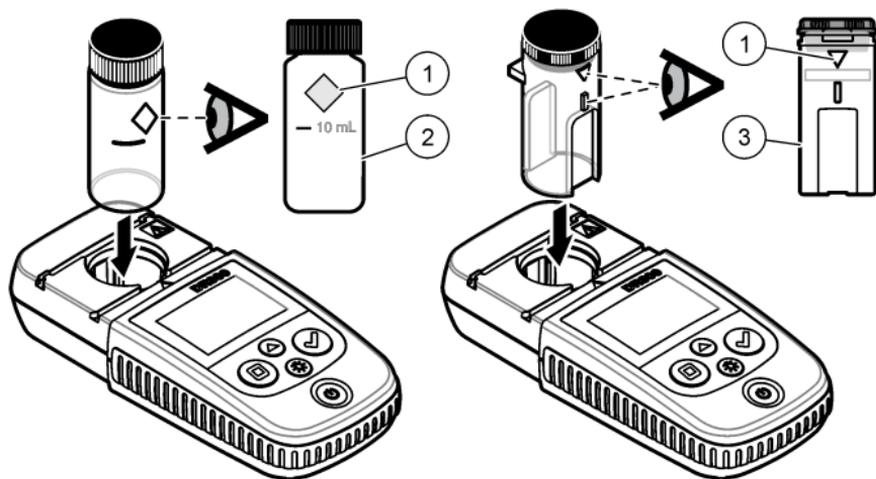
Raadpleeg [Een testprocedure downloaden](#) op pagina 158.

1. Druk op ▲ om het toepasselijke meetbereik (bijv. LR of HR) te selecteren.
2. Bereid de blanco voor. Zie de testprocedure.
3. Reinig de monsterkuvet met een niet-pluizende doek.
4. Plaats de lege monsterkuvet in de meetschacht. Zorg dat de lege monsterkuvet in de correcte en consistente richting wordt geplaatst,

zodat de resultaten beter reproduceerbaar en nauwkeuriger zijn.
Raadpleeg [Afbeelding 5](#).

5. Plaats de kap van het instrument over de meetschacht. Raadpleeg [Afbeelding 6](#).
6. Druk op  om het instrument op nul in te stellen.
7. Verwijder de kuvet met de reagensblanco.
8. Bereid het monster voor. Zie de testprocedure.
9. Reinig de monsterkuvet met een niet-pluizende doek.
10. Plaats de monsterkuvet in de meetschacht. Zorg dat de monsterkuvet in de correcte en consistente richting wordt geplaatst, zodat de resultaten beter reproduceerbaar en nauwkeuriger zijn.
Raadpleeg [Afbeelding 5](#).
11. Plaats de kap van het instrument over de meetschacht. Raadpleeg [Afbeelding 6](#).
12. Druk op . Het display geeft de resultaten weer in concentratie-eenheden of absorptie.
Opmerking: *Het resultaat knippert als het boven of onder het bereik van het instrument ligt.*
13. Neem de monsterkuvet uit de meetschacht.
14. Leeg en reinig de monsterkuvet onmiddellijk. Spoel de monsterkuvet en kap drie keer met gedeïoniseerd water (of gedestilleerd water).
Opmerking: *Gebruik als alternatief kraanwater om de monsterkuvet te spoelen als de gemeten monsters een hogere concentratie hebben dan het kraanwater.*

Afbeelding 5 Richting van de monsterkuvet



1 Oriëntatieteken⁴

2 Monsterkuvet, 25 mm
(10 mL), glas⁵

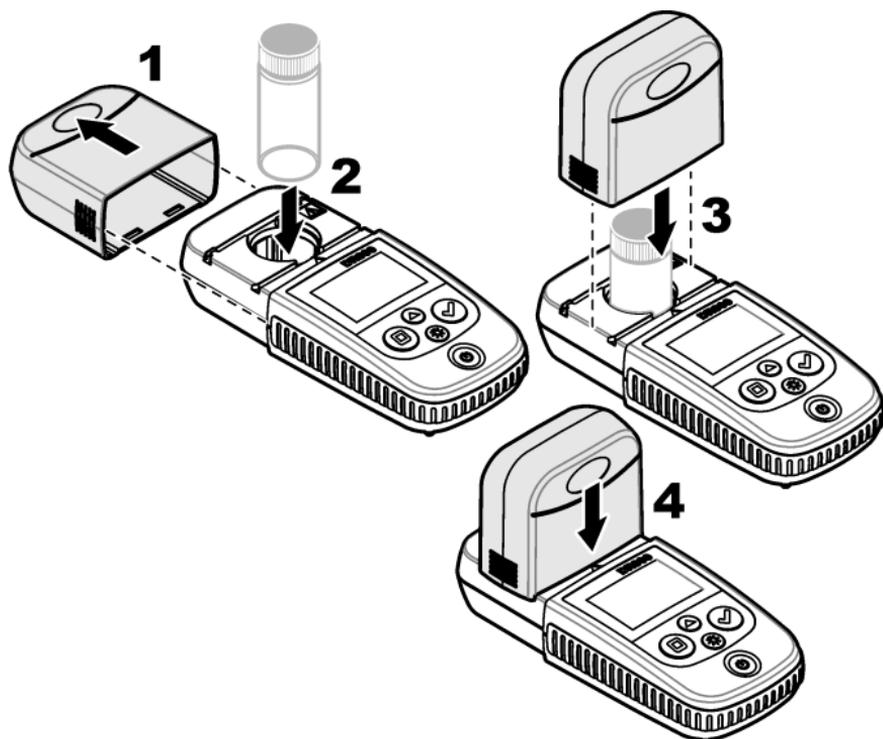
3 Monsterkuvet, 1 cm
(10 mL), kunststof⁶

⁴ Sommige uitvoeringen van het instrument hebben monsterkuvetten zonder een oriëntatiemarkering.

⁵ Gebruik de glazen monsterkuvet voor tests met lage chloorgehaltenes.

⁶ Gebruik de kunststof monsterkuvet voor tests met hoge chloorgehaltenes.

Afbeelding 6 Breng de instrumentkap aan over de meetschacht



6.1 Een testprocedure downloaden

1. Ga naar <http://www.hach.com>.
2. Voer "DR300" in het zoekvak in.
3. Selecteer de optie "Downloads" aan de linkerkant in het vak "Zoek type".
4. Scrol naar beneden naar "Methods/Procedures" (methoden/procedures).
5. Klik op de link voor de juiste testprocedure om de procedure te downloaden.

Hoofdstuk 7 Metingen weergeven

Opmerking: Er kunnen maximaal 50 metingen worden opgeslagen op het instrument. Als er 50 metingen zijn uitgevoerd, zullen nieuwe metingen de oudste metingen vervangen.

1. Houd ▲ 3 seconden ingedrukt.
2. Druk op ▲ totdat "rCL" wordt weergegeven en druk vervolgens op ✓.
"– 01 –" wordt weergegeven. Meting 01 is de laatste meting die is uitgevoerd.
3. Druk op ✓ om verder te bladeren.
Het metingsnummer wordt gevolgd door de meetwaarde en vervolgens de tijd.
4. Om naar een metingsnummer te gaan, drukt u op ✓ totdat een metingsnummer wordt weergegeven. Vervolgens drukt u op ▲ of ☼.
Opmerking: Metingen kunnen niet worden verwijderd.
5. Houd ▲ 3 seconden ingedrukt om terug te gaan naar de meetmodus.

Hoofdstuk 8 Kalibratie

Dit instrument is in de fabriek gekalibreerd. Er is geen kalibratie door de gebruiker nodig.

8.1 Aanpassing van de standaardkalibratie

Gebruik de optie voor een aanpassing van de standaardkalibratie (SCA) wanneer een kalibratie moet worden aangepast om aan de voorschriften te voldoen. De fabriekskalibratie wordt enigszins aangepast met de optie voor aanpassing van de standaardkalibratie (SCA), zodat het instrument de verwachte waarde van de standaardoplossing weergeeft. De aangepaste kalibratie wordt vervolgens gebruikt voor alle testresultaten. Deze correctie kan de testnauwkeurigheid verhogen wanneer er kleine verschillen zijn in de reagentia of instrumenten.

Opmerking: Voor instrumenten met in de fabriek gekalibreerde bereiken of methoden wordt de functie voor aanpassing van de standaardkalibratie (SCA) uitgeschakeld wanneer door de gebruiker een kalibratie wordt ingevoerd in het instrument. Om SCA weer in te schakelen, stelt u het instrument in op de

8.1.1 Een aanpassing van de standaardkalibratie toepassen

1. Voltooi de testprocedure voor het te kalibreren bereik. Gebruik voor het monster de concentratie voor de standaardoplossing die in de documentatie van de testprocedure is aangegeven.

Opmerking: Indien er geen concentratie voor de standaardoplossing is aangegeven in de documentatie van de testprocedure, kan een andere bekende standaard worden gebruikt.

2. Wanneer de testprocedure is voltooid, houdt u ▲ 3 seconden ingedrukt.
3. Druk op ▲ totdat "SCA" wordt weergegeven en druk vervolgens op ✓.

Het display toont de aanpassingswaarde voor de standaardkalibratie.

4. Als een andere bekende standaard wordt gebruikt, voer dan de waarde van de standaard in:
 - a. Druk op ▲ totdat "EDIT" (bewerken) wordt weergegeven en druk vervolgens op ✓.
 - b. Voer de waarde van de standaard in.

Druk op ▲ of ✖ om het knipperende nummer te wijzigen. Druk op ✓ om naar het volgende cijfer te gaan. Druk op □ om terug te keren naar het vorige scherm.

5. Druk op ✓ om de aanpassingswaarde voor de standaardkalibratie toe te voegen aan de fabriekskalibratiecurve.

8.1.2 De aanpassing van de standaardkalibratie uitschakelen

Om de standaard fabriekskalibratie opnieuw te gebruiken, schakelt u de aanpassing van de standaardkalibratie (SCA) uit.

1. Houd ▲ 3 seconden ingedrukt om de menumodus te openen.
2. Druk op ▲ totdat "SCA" wordt weergegeven en druk vervolgens op ✓.
3. Druk op ▲ totdat "OFF" (uit) wordt weergegeven en druk vervolgens op ✓.

Opmerking: Om de SCA-functie weer in te schakelen, voert u een aanpassing van de standaardkalibratie uit.

8.2 Door de gebruiker ingevoerde kalibratie curve

In dit instrument kan een door de gebruiker opgestelde kalibratiekromme worden ingevoerd. De kalibratiekromme kan lopen van 0 tot 2,5 absorptie. Zorg dat de kalibratiekromme standaardwaarden omvat die kleiner en groter zijn dan het onderzochte bereik.

Het instrumentbereik is in dit geval gelijk aan het kalibratiebereik. Als bijvoorbeeld standaardvloeistoffen van 1,00, 2,00 en 4,00 worden gebruikt, is het instrumentbereik 1,00 tot 4,00.

Er zijn twee opties voor het invoeren van een gebruikerskalibratiekromme:

- **Een kalibratiekromme invoeren met standaardvloeistoffen**—De standaardoplossingswaarden worden met het toetsenblok ingevoerd en de absorptiewaarden worden gemeten.
- **Een kalibratiekromme invoeren met het toetsenblok**—De standaardoplossingswaarden en de absorptiewaarden worden met het toetsenblok ingevoerd.

Opmerking: Als het instrument wordt uitgeschakeld of als de voeding van het instrument wordt verwijderd voordat een door de gebruiker ingevoerde kalibratiekromme voltooid is, wordt de kalibratiekromme niet opgeslagen. In de modus voor het invoeren van een gebruikerskalibratie wordt het instrument automatisch uitgeschakeld als er 60 minuten lang geen bewerkingen worden uitgevoerd. Door de gebruiker ingevoerde kalibraties worden voltooid wanneer de gebruiker de kalibratiemodus (cal) of de bewerkingsmodus afsluit.

8.2.1 Een kalibratiekromme invoeren met standaardvloeistoffen

⚠ WAARSCHUWING



Gevaar van blootstelling aan chemicaliën. Volg alle veiligheidsvoorschriften van het laboratorium op en draag alle persoonlijke beschermingsmiddelen die geschikt zijn voor de gehanteerde chemicaliën. Raadpleeg de huidige veiligheidsinformatiebladen (MSDS/SDS) voor veiligheidsprotocollen.

▲ VOORZICHTIG



Gevaar van blootstelling aan chemicaliën. Chemicaliën en afval dienen te worden afgevoerd in overeenstemming met de plaatselijke, regionale en nationale voorschriften.

Opmerking: Als alternatief kan gedeïoniseerd water worden gebruikt voor de blanco, tenzij het monster aanzienlijk troebeler is of meer kleur heeft dan gedeïoniseerd water.

1. Druk op ▲ om het instrument in te stellen op het te kalibreren bereik (bijvoorbeeld LR of HR).
2. Bereid de blanco voor. Zie de testprocedure.
3. Reinig de monsterkuvet met een niet-pluizende doek.
4. Stel het instrument in op nul.
 - a. Plaats de lege monsterkuvet in de meetschacht.
 - b. Breng de instrumentkap aan over de meetschacht.
 - c. Druk op □. Op het display wordt " - - - " weergegeven en vervolgens "0.00".
5. Houd ▲ 3 seconden ingedrukt om de menumodus te openen.
6. Druk op ▲ totdat "USER" (gebruiker) wordt weergegeven en druk vervolgens op ✓
7. Druk op ▲ totdat "CAL" (kalibratie) wordt weergegeven en druk vervolgens op ✓.
8. Wanneer "S0" wordt weergegeven op het display drukt u op ✓.
9. Voer 00,00 (of 000,0) in voor de blancowaarde.

Druk op ▲ of ☼ om het knipperende nummer te wijzigen. Druk op ✓ om naar het volgende cijfer te gaan. Druk op □ om terug te keren naar het vorige scherm.
10. Wanneer "A0" wordt weergegeven op het display, drukt u op ✓ om de absorptie van de blanco te meten.

Op het display wordt de absorptiewaarde voor "S0" weergegeven.
11. Neem de monsterkuvet uit de meetschacht.
12. Bereid het monster voor. Zie de testprocedure. Gebruik voor het monster de concentratie voor de standaardoplossing die in de documentatie van de testprocedure is aangegeven.

13. Reinig de monsterkuvet met een niet-pluizende doek.
14. Druk op ☼ om "S1" (of "Add" (toevoegen)) te laten weergegeven en druk vervolgens op ✓.
15. Voer de concentratiewaarde van de eerste kalibratiestandaard in en druk vervolgens op ✓.
16. Wanneer "A1" op het display wordt weergegeven, moet u de volgende stappen uitvoeren om de absorptie te meten:
 - a. Plaats de kuvet met het uitgereageerde standaardmonster in de meetschacht.
 - b. Breng de instrumentkap aan over de meetschacht.
 - c. Druk op ✓. Op de display wordt de absorbtiewaarde voor "S1" weergegeven.
17. De kalibratie is voltooid als twee kalibratiepunten zijn verkregen. Als aanvullende standaardvloeistoffen nodig zijn voor de kalibratie: Voer stappen 11 - 16 opnieuw uit om meer kalibratiestandaarden te meten.
18. Neem de monsterkuvet uit de meetschacht.
19. Leeg en reinig de monsterkuvet onmiddellijk. Spoel de monsterkuvet en kap drie keer met gedeïoniseerd water (of gedestilleerd water).

Opmerking: Als alternatief kan kraanwater worden gebruikt om de monsterkuvet te spoelen als de concentratie van de parameter in het kraanwater lager is dan de concentratie van de parameter in de gemeten monsters.
20. Houd ▲ 3 seconden ingedrukt om terug te gaan naar de meetmodus.

8.2.2 Een kalibratiekromme invoeren met het toetsenblok

Voor het invoeren van een door de gebruiker opgestelde kalibratiekromme zijn ten minste twee gegevensparen vereist. Voor elk gegevenspaar moeten een concentratiewaarde en de absorbtiewaarde voor de gegeven concentratie bekend zijn. Er kunnen maximaal 10 gegevensparen worden ingevoerd.

1. Druk op ▲ om het instrument in te stellen op het te kalibreren bereik (bijvoorbeeld LR of HR).
2. Houd ▲ 3 seconden ingedrukt om de menumodus te openen.

3. Druk op ▲ totdat "USER" (gebruiker) wordt weergegeven en druk vervolgens op ✓
4. Druk op ▲ totdat "EDIT" (bewerken) wordt weergegeven en druk vervolgens op ✓.
5. Wanneer "S0" wordt weergegeven op het display drukt u op ✓.
6. Voer het eerste gegevenspaar in.
Het eerste gegevenspaar is S0 (concentratiewaarde) en A0 (absorptiewaarde).
 - Druk op ▲ of ☼ om het knipperende nummer te wijzigen.
 - Druk op ✓ om naar het volgende cijfer te gaan.
 - Druk op □ om terug te keren naar het vorige scherm.
7. Voer stappen 5 en 6 opnieuw uit om het tweede gegevenspaar (S1 en A1) in te voeren.
8. De kalibratie is voltooid als twee gegevensparen zijn ingevoerd. Als aanvullende gegevensparen nodig zijn voor de kalibratie:
 - a. Wanneer "Add" (toevoegen) wordt weergegeven, drukt u op ✓.
 - b. Voer stappen 5 en 6 opnieuw uit als u meer gegevensparen wilt invoeren.
9. Houd ▲ 3 seconden ingedrukt om terug te gaan naar de meetmodus.

8.2.3 Instellen op de standaard fabriekskalibratie

Om een door de gebruiker ingevoerde kalibratiecurve van het instrument te verwijderen en de fabriekskalibratie te gebruiken, voert u de volgende stappen uit:

1. Houd ▲ 3 seconden ingedrukt om de menumodus te openen.
2. Druk op ▲ totdat "USER" (gebruiker) wordt weergegeven en druk vervolgens op ✓
3. Druk op ▲ totdat "dFL" (standaard) wordt weergegeven en druk vervolgens op ✓.

Hoofdstuk 9 Onderhoud

⚠ VOORZICHTIG



Diverse gevaren. Alleen bevoegd personeel mag de in dit deel van het document beschreven taken uitvoeren.

LET OP

Haal het instrument niet voor onderhoud uit elkaar. Als er inwendige componenten moeten worden gecontroleerd of gerepareerd, neem dan contact op met de fabrikant.

9.1 Reiniging van het apparaat

Reinig de buitenzijde van het instrument met een vochtige doek en een milde zeepoplossing en veeg het instrument vervolgens, indien nodig, droog.

9.2 De monsterkuvetten reinigen

⚠ VOORZICHTIG



Gevaar van blootstelling aan chemicaliën. Volg alle laboratorium technische veiligheidsvoorschriften op en draag alle persoonlijke beschermingsuitrustingen die geschikt zijn voor de gehanteerde chemicaliën. Raadpleeg de huidige veiligheidsinformatiebladen (MSDS/SDS) voor veiligheidsprotocollen.

⚠ VOORZICHTIG



Gevaar van blootstelling aan chemicaliën. Chemicaliën en afval dienen te worden afgevoerd in overeenstemming met de plaatselijke, regionale en nationale voorschriften.

De meeste laboratoriumreinigingsmiddelen worden gebruikt in de aanbevolen concentraties. Bij regelmatig reinigen is het gebruik van neutrale reinigingsmiddelen, zoals Liquinox, veiliger. Verhoog de temperatuur of gebruik een ultrasoon bad om de reinigingstijden te verkorten. Spoel enkele keren met demi-water en laat de monsterkuvet aan de lucht drogen om de reiniging te voltooien.

Monsterkuvetten kunnen ook met zuur gereinigd worden, gevolgd door grondig spoelen met demi-water.

Opmerking: Gebruik altijd zuur om kuvetten te reinigen die zijn gebruikt voor lage-concentratie metaaltesten.

Speciale reinigingsmethoden zijn nodig voor afzonderlijke procedures. Zorg dat de binnenzijde van de monsterkuvetten niet bekrast raakt wanneer een borstel wordt gebruikt om monsterkuvetten te reinigen.

9.3 Batterijen vervangen

Vervang de batterijen wanneer het laadniveau van de batterijen laag is. Raadpleeg [Batterijen plaatsen](#) op pagina 152.

Hoofdstuk 10 Problemen oplossen

Foutbericht	Beschrijving	Oplossing
E-00	Geen nul	In de gebruikerskalibratiemodus werd een standaardoplossing gemeten voordat het instrument op nul werd ingesteld. Meet een blanco-oplossing om het instrument op nul in te stellen.
E-01	Fout door omgevingslicht ⁷	Er komt omgevingslicht in de meetschacht. Zorg ervoor dat de kap van het instrument volledig op de meetschacht is geplaatst. Raadpleeg Een test uitvoeren op pagina 155.
E-02	LED-fout ⁷	De LED (lichtbron) werkt niet. Vervang de batterijen. Zorg dat de LED in de meetschacht brandt wanneer er op <input checked="" type="checkbox"/> of <input type="checkbox"/> wordt gedrukt.

⁷ Wanneer fout E-01 of E-02 zich voordoet tijdens een meting, toont het display "._.". De decimale positie is afhankelijk van de chemicaliën. Als fout E-01 of E-02 zich voordoet terwijl het instrument op nul is ingesteld, moet het instrument opnieuw op nul worden ingesteld.

Foutbericht	Beschrijving	Oplossing
E-03	Fout bij aanpassen standaard	<ul style="list-style-type: none"> • De gemeten waarde van de standaardoplossing is hoger dan de aanpassingslimiet. Bereid een nieuwe standaard voor. • De standaardoplossing bevindt zich niet in het concentratiebereik dat kan worden gebruikt voor aanpassing van de standaardkalibratie. Bereid een standaard voor met een waarde die in de buurt ligt van de aanbevolen concentraties die in de procedure worden gegeven. • Ga na of de concentratie van de standaardoplossing op de juiste manier is ingevoerd.
Meetwaarde knippert, gevolgd door E-04	De meetwaarde is hoger of lager dan het bereik van het instrument. ⁸	<p>Als de meetwaarde lager is dan het bereik van het instrument, moet ervoor worden gezorgd dat de kap van het instrument volledig op de meetschacht is geplaatst. Meet een blanco. Als de blancowaarde niet nul is, moet het instrument opnieuw op nul worden ingesteld.</p> <p>Als de meetwaarde hoger is dan het bereik van het instrument, moet worden vastgesteld of er licht wordt geblokkeerd in de meetschacht. Verdun het monster. Voer de test opnieuw uit.</p>
E-06	Absorptiefout	De absorptiewaarde is niet juist of de door de gebruiker ingevoerde kalibratiecurve heeft minder dan twee punten. Voer de absorptiewaarde opnieuw in of meet deze opnieuw.

⁸ De knipperende waarde zal 10 % boven de bovenste limiet van het testbereik liggen.

Foutbericht	Beschrijving	Oplossing
E-07	Fout in standaardwaarde	De concentratie van de standaardoplossing is gelijk aan de concentratie van een andere standaardoplossing die al is ingevoerd in de door de gebruiker ingevoerde kalibratiecurve. Voer de juiste standaardconcentratie in.
E-09	Flash-fout	Het instrument kan geen gegevens opslaan. Houd  5 seconden ingedrukt om het instrument te resetten.
E-10	De omgevingstemperatuur is te hoog of te laag	De omgevingstemperatuur is buiten bereik. Gebruik het instrument alleen onder de gespecificeerde bedrijfsomstandigheden. Raadpleeg Specificaties op pagina 147.
E-12	Lage batterijlading	Batterijlading is te laag. Vervang de batterijen. Raadpleeg Batterijen plaatsen op pagina 152.
E-13	Fout bij laden van parameter	Het geheugen van het instrument is defect. Neem contact op met de technische ondersteuning.
E-14 gevolgd door "._._" of "0" als er geen nul aanwezig was	Nulmeting ongeldig	De nulmeting is te laag. Gebruik een monsterkuvet gevuld met water en probeer het opnieuw. Als de fout aanhoudt, neemt u contact op met de technische ondersteuning.
E-15 gevolgd door "._._"	Te hoge absorptie	Controleer of er licht wordt geblokkeerd in de meetschacht. Reinig de meetschacht. Verdun het monster. Voer de test opnieuw uit. Opmerking: Dit instrument kan geen absorptiewaarden van meer dan 3,5 Abs lezen.

Foutbericht	Beschrijving	Oplossing
E-20	Signaalmeting buiten bereik	Er valt te veel licht op de lichtdetector. Zorg ervoor dat de kap van het instrument volledig op de meetschacht is geplaatst. Voer de test opnieuw uit. Als de fout aanhoudt, neemt u contact op met de technische ondersteuning.
E-21	Signaalmeting instabiel	Er is een instabiel signaal op de lichtdetector. Er is te veel of instabiel omgevingslicht. Zorg ervoor dat de kap van het instrument volledig op de meetschacht is geplaatst. Voer de test opnieuw uit. Als de fout aanhoudt, neemt u contact op met de technische ondersteuning.
E-22	Hardware fout	Het elektronische systeem is defect. Neem contact op met de technische ondersteuning.

De volgende fouten kunnen onmiddellijk na een update van het instrument optreden.

Foutbericht	Beschrijving	Oplossing
E-30	Geen toepassing	Er is een fout opgetreden tijdens de update van de applicatie. Er is geen geldige applicatie gevonden op het instrument. Update het instrument opnieuw.
E31	Bootloader-update mislukt	Er is een fout opgetreden tijdens de transmissie van de bootloader-update. Update de bootloader opnieuw.
E-32	Applicatie-update mislukt	Er is een fout opgetreden tijdens de transmissie van de applicatie-update. Update het instrument opnieuw.
E-66	Update mislukt	Het apparaat is defect. Neem contact op met de technische ondersteuning.

Hoofdstuk 11 Reserveonderdelen en accessoires

▲ WAARSCHUWING



Gevaar voor letsel. Het gebruik van niet-goedgekeurde onderdelen kan leiden tot letsel, beschadiging van het instrument of onjuiste werking van apparatuur. De reserveonderdelen in dit hoofdstuk zijn goedgekeurd door de fabrikant.

Opmerking: Product- en artikelnummers kunnen verschillen per regio. Neem contact op met de desbetreffende distributeur of bezoek de website voor contactgegevens.

Reservedelen

Beschrijving	Hoeveelheid	Artikelnr.
AAA-batterijen, alkaline	4/pkg	4674300
Kap van het instrument	1	LPZ445.99.00006
Batterijdeksel	1	LPZ445.99.00007
Monsterkuvet, 25 mm (10 mL), glas	6/pkg	2427606
Monsterkuvet, 1 cm (10 mL), kunststof	2/pkg	4864302

Accessoires

Beschrijving	Hoeveelheid	Artikelnr.
Hach-communicatiedongle	1	LPV446.99.00012
Houder/holster met zacht zijkanen	1	5953100

جدول المحتويات

1	المواصفات في صفحة 171	7	إظهار القياسات في صفحة 182
2	معلومات عامة في صفحة 172	8	المعايرة في صفحة 182
3	قم بتركيب البطاريات في صفحة 175	9	الصيانة في صفحة 186
4	واجهة المستخدم والتنقل في صفحة 176	10	استكشاف الأخطاء وإصلاحها في صفحة 188
5	ضبط الوقت في صفحة 178	11	قطع الغيار والملحقات في صفحة 190
6	قم بإجراء اختبار في صفحة 179		

القسم 1 المواصفات

تخضع المواصفات للتغيير من دون إشعار.

المواصفات	التفاصيل
الأبعاد (العرض × الارتفاع × القطر)	6.9 × 15.7 × 3.4 سم (2.7 × 6.2 × 1.3 بوصة)
الحاوية	IP67، مقاوم للمياه عند متر واحد (3.3 أقدام) لمدة 30 دقيقة عند إغلاق حجرة البطارية وقلعها.
مصدر الضوء	صمام ثنائي باعث للضوء (LED)
جهاز الكشف	صمام ثنائي ضوئي من السليكون
شاشة العرض	شاشة LCD مع إضاءة خلفية
الوزن	0.25 كجم (0.55 رطلاً)
متطلبات الطاقة	4 بطاريات AAA؛ العمر التقريبي لـ 5000 اختبار (يؤدي استخدام الإضاءة الخلفية إلى خفض هذا الرقم) لا يوصى باستخدام البطاريات القابلة لإعادة الشحن.
بيئة التشغيل	من 0 إلى 50 درجة مئوية (من 32 إلى 122 درجة فهرنهايت)؛ رطوبة نسبية من 0 إلى 90% بدون تكثف
درجة حرارة التخزين	من -20 إلى 55 درجة مئوية (من -4 إلى 131 درجة فهرنهايت)؛ رطوبة نسبية من 0 إلى 80% بدون تكثف
الطول الموجي	طول موجي ثابت ±2 نانومتر، مختلف لكل طراز
عرض النطاق الترددي للمرشح	15 نانومتر
نطاق الامتصاص	من 0 إلى 2.5 Abs
خلية عينة	25 مم (10 مل) و 1 سم (10 مل)
تخزين البيانات	آخر 50 عملية قياس

المواصفات	التفاصيل
Bluetooth® 1	يتم تشغيل Bluetooth® عند تركيب وحدة حماية اتصال Hach الاختيارية.
الشهادات	CE
الضمان	عام واحد (الاتحاد الأوروبي: عامان)

القسم 2 معلومات عامة

لا تتحمل الشركة المصنعة بأي حال من الأحوال المسؤولية عن الأضرار المباشرة أو غير المباشرة أو الخاصة أو العرضية أو اللاحقة الناتجة عن أي سهو أو خطأ في هذا الدليل. وتحتفظ الشركة المصنعة بالحق في إجراء تغييرات على هذا الدليل والمنتجات الموضحة به في أي وقت، دون إشعار أو التزام مسبق. يمكن العثور على الإصدارات التي تمت مراجعتها على موقع الشركة المصنعة على الويب.

2.1 معلومات السلامة

الشركة المصنعة غير مسؤولة عن أية أضرار تنتج عن سوء استخدام هذا المنتج، بما في ذلك على سبيل المثال لا الحصر الأضرار المباشرة والعرضية واللاحقة، وتخلي مسؤوليتها عن مثل هذه الأضرار إلى الحد الكامل المسموح به وفق القانون المعمول به. يتحمل المستخدم وحده المسؤولية الكاملة عن تحديد مخاطر الاستخدام الحرجة وتركيب الآليات المناسبة لحماية العمليات أثناء أي قصور محتمل في تشغيل الجهاز.

يُرجى قراءة هذا الدليل بالكامل قبل تفريغ محتويات العبوة أو إعداد هذا الجهاز أو تشغيله. انتبه جيداً لجميع بيانات الخطر والتنبيه. فإن عدم الالتزام بذلك قد يؤدي إلى إصابة خطيرة تلحق بالمشغل أو تلف الجهاز.

تأكد أن الحماية التي يوفرها هذا الجهاز لم تضعف. تجنب استخدام هذا الجهاز أو تركيبه بأية طريقة بخلاف الموضحة في هذا الدليل.

2.1.1 استخدام معلومات الخطر

⚠️ خطر

يشير إلى موقف خطير محتمل أو وشيك والذي إذا لم يتم تجنبه، فسوف يؤدي إلى الوفاة أو يتسبب في حدوث إصابة خطيرة.

⚠️ تحذير

يشير إلى موقف خطير محتمل أو وشيك والذي إذا لم يتم تجنبه، فسوف يؤدي إلى الوفاة أو يتسبب في حدوث إصابة خطيرة.

¹ إن علامة كلمة Bluetooth® وشعاراتها هي علامات تجارية مسجلة مملوكة لشركة Bluetooth SIG, Inc.، وأي استخدام لهذه العلامات من قبل HACH يتم بموجب ترخيص.

⚠️ تنبيه

يشير إلى موقف خطير محتمل يمكن أن يؤدي إلى إصابة طفيفة أو متوسطة.

إشعار

يشير إلى موقف، إذا لم يتم تجنبه، يمكن أن يؤدي إلى تلف الجهاز. معلومات تتطلب تأكيدًا خاصًا.

2.1.2 الملصقات الوقائية

اقرأ جميع الملصقات والعلامات المرفقة بالجهاز. فمن الممكن أن تحدث إصابة شخصية أو يتعرض الجهاز للتلف في حالة عدم الانتباه لها. لاحظ أن كل رمز على الجهاز يُشار إليه في الدليل من خلال بيان وقائي.

هذا الرمز إذا تمت ملاحظته على الجهاز، فإنه يشير إلى دليل الإرشادات لمعرفة معلومات التشغيل وأو السلامة.	
لا يمكن التخلص من الأجهزة الكهربائية التي تحمل هذا الرمز في الأنظمة الأوروبية للتخلص من النفايات المحلية أو العامة. لكن يتم إرجاع الجهاز القديم أو منتهي الصلاحية إلى الشركة المصنعة للتخلص منه بدون أن يتحمل المستخدم أي رسوم.	

2.1.3 الشهادات

اللوائح الكندية للأجهزة المسببة للتداخل اللاسلكي، ICES-003، الفئة "ب":

يتوافق مع سجلات الاختبارات التي تجريها الشركة المصنعة.

هذا الجهاز الرقمي من الفئة "ب" يفي بجميع متطلبات اللوائح الكندية للأجهزة المسببة للتداخل.

Cet appareil numérique de classe B répond à toutes les exigences de la réglementation canadienne sur les équipements provoquant des interférences.

الفقرة 15 من قواعد لجنة الاتصالات الفيدرالية، قيود الفئة "ب"

يتوافق مع سجلات الاختبارات التي تجريها الشركة المصنعة. يتوافق الجهاز مع الفقرة 15 من قواعد لجنة الاتصالات الفيدرالية. تخضع عملية التشغيل للشرطين التاليين:

1. قد لا يتسبب الجهاز في حدوث تداخل ضار.
2. يجب أن يتقبل الجهاز أي تداخل وارد، بما في ذلك التداخل الذي قد يؤدي إلى تشغيل غير مرغوب فيه.

إن إحداث تغييرات أو إدخال تعديلات على هذا الجهاز بدون الاعتماد الصريح بذلك من الجهة المسؤولة عن التوافق من شأنه أن يبطل حق المستخدم في تشغيل الجهاز. خضع هذا الجهاز

للاختبارات وثبت أنه يمثل لقيود الأجهزة الرقمية من الفئة "ب"، والمطابقة للجزء 15 من قواعد لجنة الاتصالات الفيدرالية (FCC). إن الغرض من هذه القيود هو توفير حماية معقولة من أي تداخل ضار عند تشغيل الجهاز في بيئة تجارية. يولد هذا الجهاز طاقة من الترددات اللاسلكية ويستخدمها ومن الممكن أن يشعها كذلك، وإذا لم يتم تركيبه واستخدامه وفقاً لدليل الإرشادات، فقد يتسبب في حدوث تداخل ضار مع الاتصالات اللاسلكية. قد يؤدي تشغيل هذا الجهاز في منطقة سكنية إلى حدوث تداخل ضار، وفي هذه الحالة يتعين على المستخدم تصحيح هذا التداخل على نفقته الخاصة. يمكن استخدام الأساليب التالية للحد من مشكلات التداخل:

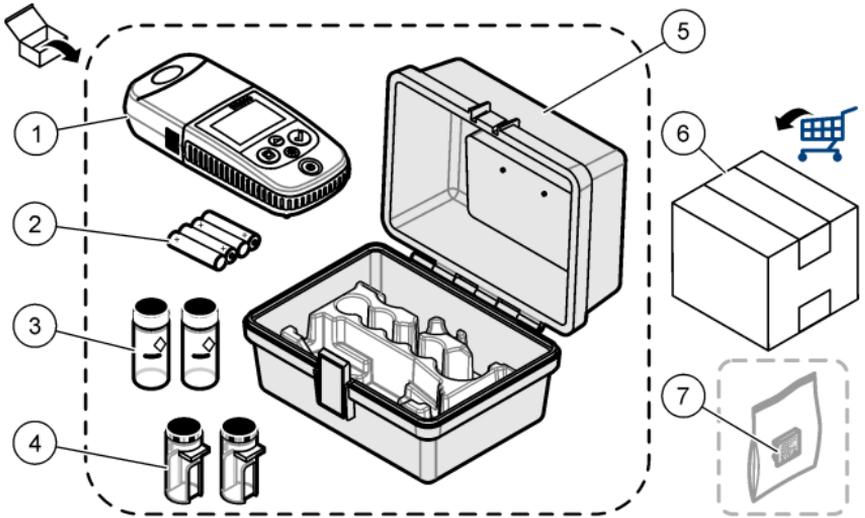
1. انقل الجهاز بعيداً عن الجهاز الذي يستقبل التداخل.
2. عدّل موضع هوائي الاستقبال الخاص بالجهاز الذي يستقبل التداخل.
3. جرّب مجموعات مما تم ذكره أعلاه.

2.2 نظرة عامة على المنتج

هذا الجهاز هو جهاز فوتومتر مرشح محمول يستخدم لاختبار الماء.
ملاحظة: لم يتم تقييم هذا الجهاز لقياس الكلور والكلورامينات في التطبيقات الطبية في الولايات المتحدة.

2.3 مكونات المنتج

تأكد من استلام جميع المكونات. راجع الشكل 1. في حال فقد أي عناصر أو تلفها، اتصل بالشركة المصنعة أو مندوب المبيعات على الفور. الشكل 1 مثال يوضح الأجزاء المزودة مع LPV445.99.00110. تأتي الأجهزة الأخرى مع مكونات مختلفة.



1	DR300	5	علبة التخزين
2	بطاريات قلوية مقياس AAA	6	المواد التفاعلية الكيميائية
3	خلايا العينات، 25 مم (10 مل)، زجاجية	7	وحدة حماية اتصال Hach (اختيارية، يتم توفيرها بشكل منفصل)
4	خلايا العينات، 1 سم (10 مل)، بلاستيكية		

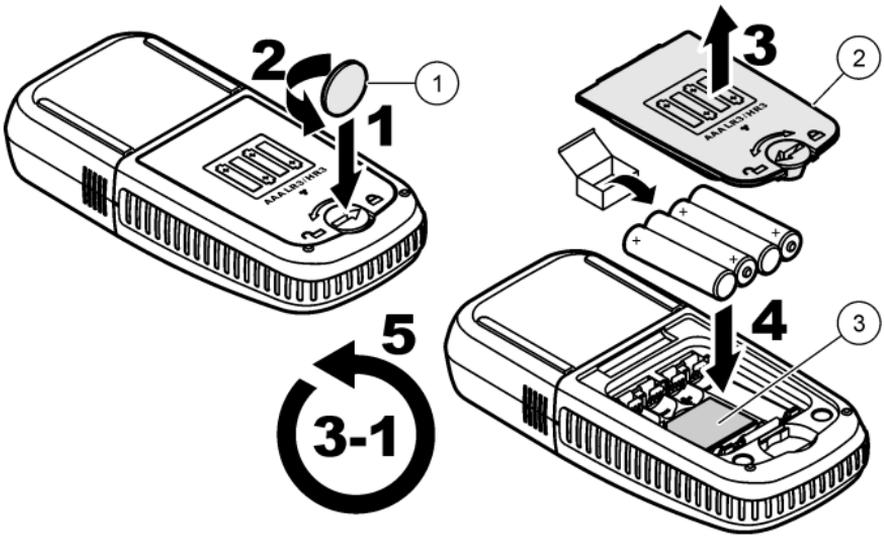
القسم 3 قم بتركيب البطاريات

⚠ تحذير

خطر الانفجار. يمكن أن يتسبب التركيب غير الصحيح للبطارية في انبعاث غازات قابلة للانفجار. تأكد أن البطاريات من النوع ذاته المعتمد كيميائيًا وإدخالها في الاتجاه الصحيح. لا تخطئ بين البطاريات الجديدة والمستعملة.



راجع الشكل 2 لتركيب البطاريات. ثم اضغط على  لضبط الجهاز على التشغيل.



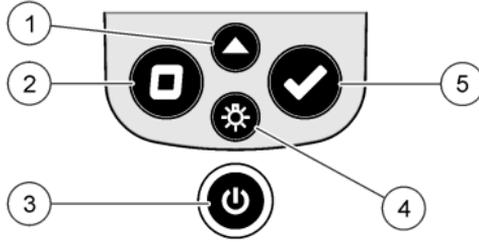
1	عملة معدنية
2	غطاء البطارية
3	تركيب بلاستيكية لوحدة الحماية

القسم 4 واجهة المستخدم والتنقل

4.1 وصف لوحة المفاتيح

الشكل 3 يعرض لوحة المفاتيح ويقدم وظائف المفاتيح.

2 قم بإزالة التركيب البلاستيكية فقط لتركيب وحدة حماية اتصال Hach. راجع إرشادات التركيب المرفقة مع وحدة الحماية.

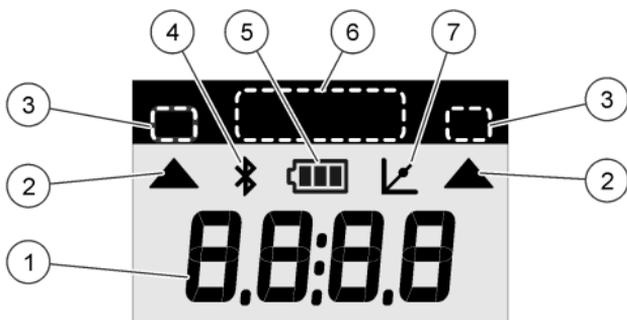


<p>4 مفتاح الإضاءة الخلفية: لضبط الإضاءة الخلفية على التشغيل وإيقاف التشغيل. في وضع القائمة، للتمرير لأسفل أو لخفض قيمة الرقم المحدد.</p>	<p>1 مفتاح النطاق: لتحديد نطاق القياس (على سبيل المثال، LR أو HR). اضغط مع الاستمرار لمدة 3 ثوانٍ للدخول إلى وضع القائمة أو الخروج منه. في وضع القائمة، للتمرير لأعلى أو لزيادة قيمة الرقم المحدد.</p>
<p>5 مفتاح القراءة: لبدء قياس عينة. في وضع القائمة، لتحديد خيار القائمة المعروض أو لنقل المؤشر إلى الرقم التالي.</p>	<p>2 مفتاح القيمة الصفرية: لتعيين القيمة الصفرية قبل القياس. في وضع القائمة، للرجوع مستوى واحد في القائمة أو لنقل المؤشر إلى الرقم السابق.</p>
	<p>3 مفتاح التشغيل: لضبط الطاقة على التشغيل وإيقاف التشغيل. اضغط مع الاستمرار لمدة 5 ثوانٍ لإعادة ضبط الجهاز. لا يتم حذف المعايرة.</p>

4.2 وصف الشاشة

الشكل 4 يعرض القيم والرموز المعروضة على الشاشة.

الشكل 4 شاشة العرض



1	شاشة عرض رقمية: القيمة المقیمة أو خيارات القائمة	5	رمز البطارية: مستوى طاقة البطارية. يومض عندما يكون مستوى طاقة البطارية منخفضًا.
2	رمز النطاق: يشير إلى نطاق القياس المحدد	6	نطاقات المعلمات والقياس
3	نطاقات أو معلمات القياس	7	رمز ضبط المعايير: تم ضبط المعايير الافتراضية للمصنع أو تم إدخال منحني المعايير التي يتم إدخالها بواسطة المستخدم.
4	رمز Bluetooth®: Bluetooth® قيد التشغيل ³ .		

القسم 5 ضبط الوقت

ضبط الوقت (تنسيق 24 ساعة).

1. اضغط مع الاستمرار على ▲ لمدة 3 ثوانٍ للدخول إلى وضع القائمة. يظهر الوقت (أو 00:00).
2. اضغط على ✓ لضبط الوقت.
3. اضغط على ▲ أو ⌘ لتغيير الرقم الذي يومض. اضغط على ✓ للانتقال إلى الرقم التالي. اضغط على □ للانتقال إلى الرقم السابق.

³ يظهر عند تركيب وحدة حماية اتصال Hach.

⚠️ خ ط ر

مخاطر كيميائية أو بيولوجية. إذا تم استخدام هذا الجهاز لمراقبة عملية معالجة و/أو نظام تغذية كيميائية يشتمل على قيود تنظيمية ومتطلبات مراقبة تتعلق بالصحة العامة أو السلامة العامة أو الغذاء أو تصنيع المشروبات أو معالجتها، سيحتل مستخدم هذا الجهاز مسؤولية معرفة أية لوائح معمول بها والالتزام بها وأن تكون لديه الآليات الكافية والمناسبة للتوافق مع اللوائح السارية في حالة حدوث قصور في تشغيل الجهاز.



⚠️ خ ط ر

خطر التعرض الكيميائي. التزم بإجراءات الأمان المعملية واراد جميع معدات الحماية الشخصية المناسبة للمواد الكيميائية التي يتم التعامل معها. اطلع على صحائف بيانات سلامة المواد (MSDS/SDS) الحالية للتعرف على بروتوكولات السلامة.



⚠️ ت ن ب ي ه

خطر التعرض الكيميائي. تخلص من المواد الكيميائية والفضلات بما يتوافق مع اللوائح المحلية والإقليمية والوطنية.



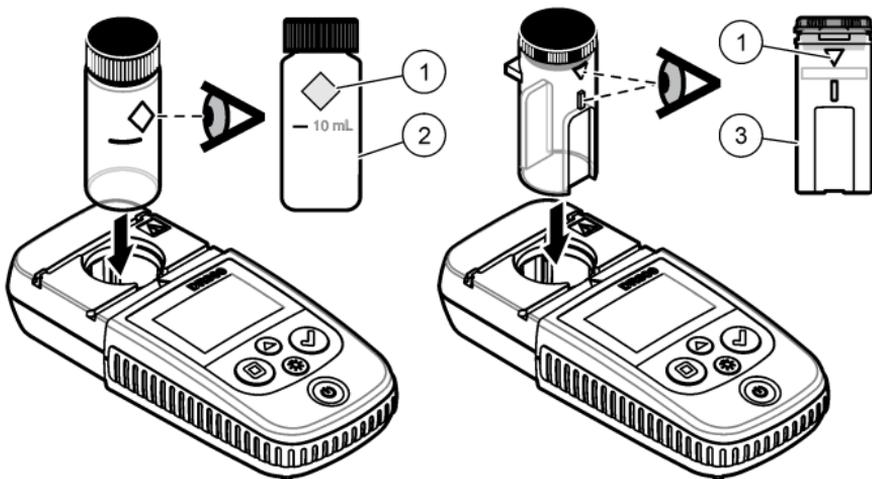
في ما يلي الخطوات العامة لإجراء اختبار.

لإجراء اختبار لمعينة معينة (على سبيل المثال، الكلور)، قم بتنزيل إجراء الاختبار من موقع الويب الخاص بالشركة المصنعة. راجع [تنزيل إجراء اختبار](#) في صفحة 181.

1. اضغط على **▲** لتحديد نطاق القياس المناسب (على سبيل المثال، LR أو HR).
2. حضّر المحلول العديم القيمة. راجع إجراء الاختبار.
3. قم بتنظيف خلية العينة باستخدام قطعة قماش خالية من النسالة.
4. أدخل خلية عينة المحلول العديم القيمة في حامل الخلية. تأكد من تثبيت خلية عينة المحلول العديم القيمة في الاتجاه الصحيح والثابت حتى تكون النتائج متكررة ودقيقة بصورة أكبر. راجع [الشكل 5](#).
5. ركب غطاء الجهاز فوق حامل الخلية. راجع [الشكل 6](#).
6. اضغط على **■** لضبط القيمة الصفرية للجهاز.
7. قم بازلة خلية عينة المحلول العديم القيمة.
8. حضّر العينة. راجع إجراء الاختبار.

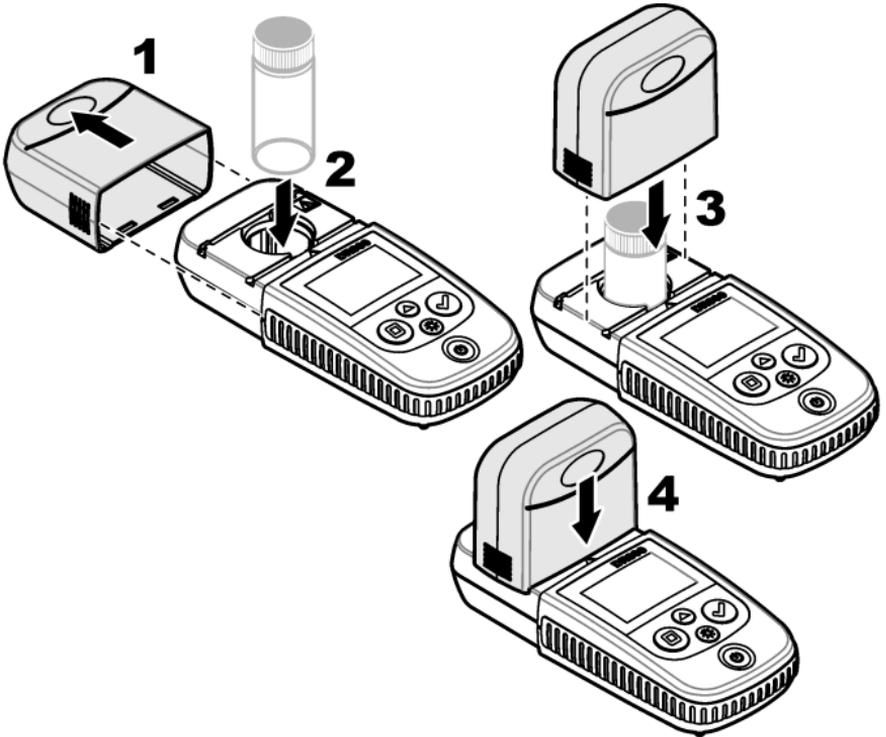
9. قم بتنظيف خلية العينة باستخدام قطعة قماش خالية من النسالة.
10. أدخل خلية العينة في حامل الخلية. تأكد من تثبيت خلية العينة في الاتجاه الصحيح والثابت حتى تكون النتائج متكررة ودقيقة بصورة أكبر. راجع الشكل 5.
11. ركب غطاء الجهاز فوق حامل الخلية. راجع الشكل 6.
12. اضغط على . تعرض الشاشة النتائج بوحدات التركيز أو الامتصاص.
ملاحظة: تومض النتيجة إذا كانت النتيجة أقل من نطاق الجهاز أو أكبر منه.
13. قم بإزالة خلية العينة من حامل الخلية.
14. قم على الفور بتفريغ خلية العينة وشطفها. اشطف خلية العينة والغطاء ثلاث مرات بماء منزوع الأيونات (أو ماء مقطر).
ملاحظة: وكبدل لذلك، استخدم ماء الصنبور لغسل خلية العينة إذا كانت العينات التي تم قياسها تحتوي على تركيز أعلى من مياه الصنبور.

الشكل 5 اتجاه خلية العينة



1	علامة الاتجاه ⁴	2	خلية عينة، 25 مم (10 مل)، زجاجية ⁵	3	خلية عينة، 1 سم (10 مل)، بلاستيكية ⁶
---	----------------------------	---	---	---	---

- 4 تحتوي بعض أنواع الجهاز على خلايا عينات بدون علامة اتجاه.
- 5 استخدم خلية العينة الزجاجية لاختبارات الكلور المنخفضة النطاق.
- 6 استخدم خلية العينة البلاستيكية لاختبارات الكلور العالية النطاق.



6.1 تنزيل إجراء اختبار

1. انتقل إلى <http://www.hach.com>.
2. أدخل "DR300" في مربع البحث.
3. حدد خيار "التنزيلات" على الجانب الأيسر في مربع "نوع البحث".
4. مرر لأسفل إلى "Methods/Procedures" (الطرق/الإجراءات).
5. انقر فوق الرابط الخاص بإجراء الاختبار المناسب لتنزيله.

القسم 7 إظهار القياسات

ملاحظة: يحفظ الجهاز 50 قياساً كحد أقصى. بعد إجراء 50 قياساً، تحل القياسات الجديدة محل أقدم القياسات.

1. اضغط مع الاستمرار على ▲ لمدة 3 ثوانٍ.
2. اضغط على ▲ حتى يتم عرض "rCL" (استدعاء)، ثم اضغط على ✓.
- يظهر " - 01 - ". القياس 01 هو آخر قياس تم تنفيذه.
3. اضغط على ✓ للتمرير للأمام.
- يتبع رقم القياس قيمة القياس ثم الوقت.
4. للانتقال إلى رقم القياس، اضغط على ✓ حتى يظهر رقم القياس، ثم اضغط على ▲ أو ☺.
- ملاحظة:** لا يمكن حذف القياسات.
5. اضغط مع الاستمرار على ▲ لمدة 3 ثوانٍ للعودة إلى وضع القياس.

القسم 8 المعايرة

تتم معايرة هذا الجهاز في المصنع. لا يلزم تنفيذ المعايرة بواسطة المستخدم.

8.1 ضبط المعايرة القياسية

استخدم خيار ضبط المعايرة القياسية (SCA) عندما يكون من الضروري ضبط المعايرة لتلبية المتطلبات التنظيمية. يتم ضبط معايرة المصنع قليلاً باستخدام خيار ضبط المعايرة القياسية (SCA) بحيث يعرض الجهاز القيمة المتوقعة للحل القياسي. يتم بعد ذلك استخدام المعايرة المضبوطة لجميع نتائج الاختبار. يمكن أن يزيد هذا الضبط من دقة الاختبار عند وجود اختلافات طفيفة في المواد التفاعلية الكيميائية أو الأجهزة.

ملاحظة: بالنسبة إلى أجهزة القياس ذات النطاقات أو الطرق التي تمت معايرتها في المصنع، يتم تعطيل ميزة ضبط المعايرة القياسية (SCA) عند إدخال معايرة تم إدخالها بواسطة المستخدم في الجهاز. لضبط SCA على التشغيل، اضبط الجهاز على المعايرة الافتراضية للمصنع. راجع الضبط على المعايرة الافتراضية للمصنع في صفحة 186.

8.1.1 إجراء ضبط معايرة قياسي

1. أكمل إجراء الاختبار لمعايرة النطاق. بالنسبة للعينة، استخدم تركيز المحلول القياسي الوارد في وثائق إجراء الاختبار.

ملاحظة: إذا لم يتم تقديم تركيز محلول قياسي في وثائق إجراء الاختبار، يمكن استخدام معيار معروف مختلف.

2. عند اكتمال إجراء الاختبار، اضغط مع الاستمرار على ▲ لمدة 3 ثوانٍ.
 3. اضغط على ▲ حتى يظهر "SCA"، ثم اضغط على ✓.
- تعرض الشاشة قيمة ضبط المعايرة القياسية.

4. إذا تم استخدام معيار مختلف معروف، فأدخل قيمة المعيار:

- a. اضغط على ▲ حتى يظهر "Edit" (تحرير)، ثم اضغط على ✓.
- b. أدخل قيمة المعيار.

اضغط على ▲ أو ✕ لتغيير الرقم الذي يومض. اضغط على ✓ للانتقال إلى الرقم التالي. اضغط على □ للانتقال إلى الرقم السابق.

5. اضغط على ✓ لإضافة قيمة ضبط المعايرة القياسية إلى منحنى معايرة المصنع.

8.1.2 تعيين "ضبط المعايرة القياسية" على إيقاف التشغيل

لاستخدام المعايرة الافتراضية للمصنع مرة أخرى، قم بتعيين "ضبط المعايرة القياسية (SCA)" على إيقاف التشغيل.

1. اضغط مع الاستمرار على ▲ لمدة 3 ثوانٍ للدخول إلى وضع القائمة.
2. اضغط على ▲ حتى يظهر "SCA"، ثم اضغط على ✓.
3. اضغط على ▲ حتى يظهر "OFF" (إيقاف التشغيل)، ثم اضغط على ✓.

ملاحظة: لضبط وظيفة SCA على التشغيل مرة أخرى، قم بإجراء ضبط معايرة قياسية.

8.2 منحنى المعايرة التي يتم إدخالها بواسطة المستخدم

يقبل هذا الجهاز منحنى المعايرة التي يتم إعدادها بواسطة المستخدم. يمكن أن يكون منحنى المعايرة من 0 إلى 2.5 من وحدة قياس الامتصاص. تأكد من أن منحنى المعايرة يتضمن قيمًا قياسية أقل من نطاق الاهتمام وأكبر منه.

سيكون نطاق الجهاز ممتثلًا لنطاق المعايرة. على سبيل المثال، عندما تكون المعايير المستخدمة 1.00 و 2.00 و 4.00. يتراوح نطاق الجهاز من 1.00 إلى 4.00. هناك خياران لإدخال منحنى معايرة المستخدم:

- أدخل منحنى معايرة بالمعايير—يتم إدخال قيم المحلول القياسي باستخدام لوحة المفاتيح ويتم قياس قيم الامتصاص.
- أدخل منحنى المعايرة باستخدام لوحة المفاتيح—يتم إدخال قيم المحلول القياسي وقيم الامتصاص باستخدام لوحة المفاتيح.

ملاحظة: إذا تم ضبط الجهاز على إيقاف التشغيل أو تمت إزالة طاقة الجهاز قبل اكتمال منحنى المعايرة التي يتم إدخالها بواسطة المستخدم، فلن يتم حفظ منحنى المعايرة. يتم إيقاف تشغيل الجهاز تلقائيًا في وضع إدخال المعايرة الذي يتم إدخاله بواسطة المستخدم بعد مرور 60 دقيقة من عدم النشاط. تكتمل المعايرات التي يتم إدخالها بواسطة المستخدم عندما يخرج المستخدم من وضع المعايرة (cal) أو وضع التحرير.

▲ ت ح ذ ي ر

خطر التعرض الكيميائي. التزم بإجراءات الأمان المعملية وارتد جميع معدات الحماية الشخصية المناسبة للمواد الكيميائية التي يتم التعامل معها. اطلع على صحائف بيانات سلامة المواد (MSDS/SDS) الحالية للتعرف على بروتوكولات السلامة.



▲ ت ن ب ي ه

خطر التعرض الكيميائي. تخلص من المواد الكيميائية والفضلات بما يتوافق مع اللوائح المحلية والإقليمية والوطنية.



ملاحظة: كبديل لذلك، يمكن استخدام المياه المنزوعة الأيونات للمحلول العديم القيمة ما لم تكن العينة عكرة بصورة أكبر أو تشتمل على لون أكثر من المياه المنزوعة الأيونات.

1. اضغط على ▲ لضبط الجهاز على النطاق الذي تريد معايرته (على سبيل المثال، LR أو HR).
2. حضّر المحلول العديم القيمة. راجع إجراء الاختبار.
3. قم بتنظيف خلية العينة باستخدام قطعة قماش خالية من النسالة.
4. اضبط الجهاز على القيمة الصفرية.
 - a. أدخل خلية عينة المحلول العديم القيمة في حامل الخلية.
 - b. ركب غطاء الجهاز فوق حامل الخلية.
 - c. اضغط على (موافق). تعرض الشاشة " - - ", ثم "0.00".
5. اضغط مع الاستمرار على ▲ لمدة 3 ثوانٍ للدخول إلى وضع القائمة.
6. اضغط على ▲ حتى يظهر "USER" (المستخدم)، ثم اضغط على .
7. اضغط على ▲ حتى يظهر "CAL" (معايرة)، ثم اضغط على .
8. عندما يظهر "S0" على الشاشة، اضغط على .
9. أدخل 00.00 (أو 000.0) لقيمة المحلول العديم القيمة.
 - اضغط على ▲ أو لتغيير الرقم الذي يومض. اضغط على للانتقال إلى الرقم التالي.
 - اضغط على للانتقال إلى الرقم السابق.
10. عند ظهور "A0" على الشاشة، اضغط على لقياس امتصاص المحلول العديم القيمة. تعرض الشاشة قيمة الامتصاص لـ "S0".

11. قم بإزالة خلية العينة من حامل الخلية.
12. حضّر العينة. راجع إجراء الاختبار. بالنسبة للعينة، استخدم تركيز المحلول القياسي الوارد في وثائق إجراء الاختبار.
13. قم بتنظيف خلية العينة باستخدام قطعة قماش خالية من النسالة.
14. اضغط على S1 (أو "Add" (إضافة))، ثم اضغط على \checkmark .
15. أدخل قيمة التركيز لمعيار المعايرة الأول، ثم اضغط على \checkmark .
16. عند ظهور "A1" على الشاشة، قم بتنفيذ الخطوات التالية لقياس الامتصاص:
 - a. أدخل خلية العينة القياسية التي تم التفاعل معها في حامل الخلية.
 - b. ركب غطاء الجهاز فوق حامل الخلية.
 - c. اضغط على \checkmark . تعرض الشاشة قيمة الامتصاص لـ "S1".
17. تكتمل المعايرة بنقطة معايرة. إذا كان يلزم معايير إضافية للمعايرة: نفذ الخطوات 11 – 16 مرة أخرى لقياس المزيد من معايير المعايرة.
18. قم بإزالة خلية العينة من حامل الخلية.
19. قم على الفور بتفريغ خلية العينة وشطفها. اشطف خلية العينة والغطاء ثلاث مرات بماء منزوع الأيونات (أو ماء مقطر).
 ملاحظة: كبديل لذلك، يمكن استخدام ماء الصنبور لشطف خلية العينة إذا كان تركيز المعلمة في ماء الصنبور أقل من العينات التي تم قياسها.
20. اضغط مع الاستمرار على \blacktriangle لمدة 3 ثوانٍ للعودة إلى وضع القياس.

8.2.2 إدخال منحنى المعايرة باستخدام لوحة المفاتيح

يلزم وجود زوجين على الأقل من البيانات لإدخال منحنى المعايرة الذي يتم إعداده بواسطة المستخدم. قيمة التركيز وقيمة الامتصاص الخاصة بالتركيز المحدد ضروريان لكل زوج من البيانات. يمكن إدخال 10 أزواج من البيانات كحد أقصى.

1. اضغط على \blacktriangle لضبط الجهاز على النطاق الذي تريد معايرته (على سبيل المثال، LR أو HR).
 2. اضغط مع الاستمرار على \blacktriangle لمدة 3 ثوانٍ للدخول إلى وضع القائمة.
 3. اضغط على \blacktriangle حتى يظهر "USER" (المستخدم)، ثم اضغط على \checkmark .
 4. اضغط على \blacktriangle حتى يظهر "Edit" (تحرير)، ثم اضغط على \checkmark .
 5. عندما يظهر "S0" على الشاشة، اضغط على \checkmark .
 6. أدخل زوج البيانات الأول.
زوج البيانات الأول هو S0 (قيمة التركيز) وA0 (قيمة الامتصاص).
- اضغط على \blacktriangle أو S0 لتغيير الرقم الذي يرمز.

- اضغط على ✓ للانتقال إلى الرقم التالي.
 - اضغط على □ للانتقال إلى الرقم السابق.
7. نفذ الخطوتين 5 و6 مرة أخرى لإدخال زوج البيانات الثاني (S1 وA1).
8. تكتمل المعايير بزوجين من البيانات. إذا كان يلزم زوج إضافي من البيانات للمعايرة:
- a. عند ظهور كلمة "Add" (إضافة)، اضغط على ✓.
 - b. نفذ الخطوتين 5 و6 مرة أخرى لإدخال المزيد من أزواج البيانات.
9. اضغط مع الاستمرار على ▲ لمدة 3 ثوانٍ للعودة إلى وضع القياس.

8.2.3 الضبط على المعايير الافتراضية للمصنع

لإزالة منحى المعايرة التي يتم إدخالها بواسطة المستخدم من الجهاز واستخدام معايرة المصنع، نفذ الخطوات التالية:

1. اضغط مع الاستمرار على ▲ لمدة 3 ثوانٍ للدخول إلى وضع القائمة.
2. اضغط على ▲ حتى يظهر "USER" (المستخدم)، ثم اضغط على ✓.
3. اضغط على ▲ حتى تظهر "dFL" (افتراضي)، ثم اضغط على ✓.

القسم 9 الصيانة

⚠ تنبيه

مخاطر متعددة. يجب عدم إجراء المهام الموضحة في هذا القسم من المستند إلا بواسطة الموظفين المؤهلين لذلك فقط.



إشعار

تجنب تفكيك الجهاز من أجل الصيانة. وفي حالة ضرورة تنظيف المكونات الداخلية أو إصلاحها، اتصل بالشركة المصنعة.

9.1 تنظيف الجهاز

نظف الجزء الخارجي من الجهاز بقطعة قماش رطبة ومحلول صابون معتدل ثم قم بتجفيف الجهاز.

⚠️ تنبيه

خطر التعرض الكيميائي. التزم بإجراءات الأمان المعملية واركد جميع معدات الحماية الشخصية المناسبة للكيمويات التي يتم التعامل معها. اطلع على صحائف بيانات سلامة المواد (MSDS/SDS) الحالية للتعرف على بروتوكولات السلامة.



⚠️ تنبيه

خطر التعرض الكيميائي. تخلص من المواد الكيميائية والفضلات بما يتوافق مع اللوائح المحلية والإقليمية والوطنية.



تُستخدم معظم المنظفات المختبرية بتركيزات موصى بها. تعتبر المنظفات المحايدة، مثل Liquinox، أكثر أماناً للاستخدام عند الحاجة إلى التنظيف المنتظم. لتقليل أوقات التنظيف، قم بزيادة درجة الحرارة أو استخدم مغطساً بالموجات فوق الصوتية. لإكمال عملية التنظيف، قم بالشطف بضع مرات بماء منزوع الأيونات ثم اترك خلية العينة تجف بالهواء. كما يمكن تنظيف خلايا العينات بالحمض، ثم الشطف الكامل بماء منزوع الأيونات.

ملاحظة: استخدم دائماً الحمض لتنظيف خلايا العينات التي تم استخدامها لإجراء اختبارات معنوية منخفضة المستوى.

يلزم اتباع طرق التنظيف الخاصة للإجراءات الفردية. عند استخدام فرشاة لتنظيف خلايا العينات، توخ الحذر لتجنب حدوث خدوش على الأسطح الداخلية لخلايا العينات.

9.3 استبدال البطاريات

استبدل البطاريات عندما يكون مستوى طاقة البطارية منخفضاً. راجع قم بتركيب البطاريات في صفحة 175.

القسم 10 استكشاف الأخطاء وإصلاحها

الخطأ	الوصف	الحل
E-00	لا يوجد صفر	في وضع معايرة المستخدم، تم قياس محلول قياسي قبل تعيين القيمة الصفرية للجهاز. قم بقياس محلول عديم القيمة لتعيين الجهاز على صفر.
E-01	خطأ في الإضاءة المحيطة ⁷	يوجد ضوء محيط في حامل الخلية. تأكد من تركيب غطاء الجهاز بالكامل على حامل الخلية. راجع قم بإجراء اختبار في صفحة 179.
E-02	خطأ في مؤشر LED ⁷	مؤشر LED (مصدر الضوء) خارج الضبط الصحيح. استبدل البطاريات. تأكد من إضاءة مؤشر LED الموجود في حامل الخلية عند الضغط على <input checked="" type="checkbox"/> أو <input type="checkbox"/> .
E-03	خطأ في الضبط القياسي	<ul style="list-style-type: none"> القيمة المقيسة للمحلول القياسي أكثر من حدود الضبط. حضر معيارًا جديدًا. المحلول القياسي ليس ضمن نطاق التركيز الذي يمكن استخدامه لضبط المعايرة القياسية. قم بإعداد معيار عديم القيمة عند التركيزات الموصى بها أو بالقرب منها في الإجراء. تأكد من إدخال تركيز المحلول القياسي بشكل صحيح.
تومض القراءة ثم تظهر E-04	القراءة أكبر أو أقل من نطاق الجهاز. ⁸	إذا كانت القراءة أقل من نطاق الجهاز، فتأكد من تركيب غطاء الجهاز بالكامل على حامل الخلية. قم بقياس محلول عديم القيمة. إذا لم تكن قراءة المحلول العديم القيمة صفرًا، فاضبط الجهاز على الصفر مرة أخرى.
		إذا كانت القراءة أكثر من نطاق الجهاز، فحدد ما إذا كان هناك عائق للضوء في حامل الخلية. خفف العينة. قم بإجراء الاختبار مرة أخرى.
E-06	خطأ في الامتصاص	قيمة الامتصاص غير صحيحة أو منحنى المعايرة التي يتم إدخالها بواسطة المستخدم يشتمل على قيمة أقل من نقطتين. أدخل قيمة الامتصاص أو قم بقياسها مرة أخرى.
E-07	خطأ في القيمة القياسية	يعادل تركيز المحلول القياسي تركيز محلول قياسي آخر تم إدخاله بالفعل في منحنى المعايرة التي يتم إدخالها بواسطة المستخدم. أدخل التركيز القياسي الصحيح.
E-09	خطأ في الوميض	لا يمكن للجهاز حفظ البيانات. اضغط مع الاستمرار على  لمدة 5 ثوانٍ لإعادة ضبط الجهاز.

⁷ عند حدوث خطأ E-01 أو E-02 في القياس، تعرض الشاشة "___". يعتمد مكان الكسر العشري على الكيمياء. إذا حدث خطأ E-01 أو E-02 أثناء ضبط الجهاز على الصفر، فاضبط الجهاز على الصفر مرة أخرى.

⁸ ستتجاوز القيمة التي تومض حد نطاق الاختبار العلوي بنسبة 10%.

الخطأ	الوصف	الحل
E-10	درجة حرارة البيئة مرتفعة للغاية أو منخفضة للغاية	درجة الحرارة المحيطة خارج النطاق. استخدم الجهاز في ظروف التشغيل المحددة فقط. راجع المواصفات في صفحة 171.
E-12	بطارية منخفضة	طاقة البطارية منخفضة للغاية. استبدل البطاريات. راجع قم بتركيب البطاريات في صفحة 175.
E-13	فشل تحميل المعلمة	ذاكرة الجهاز معيبة. اتصل بالدعم الفني.
E-14	ثم تظهر "0" إذا لم يكن هناك قيمة صفرية	قياس القيمة الصفرية غير صالح قياس القيمة الصفرية منخفضة للغاية. استخدم خلية عينة مملوءة بالماء وحاول مرة أخرى. في حالة استمرار الخطأ، اتصل بالدعم الفني.
E-15	ثم تظهر " _ _ "	الامتصاص مرتفع للغاية حدد ما إذا كان هناك عائق للضوء في حامل الخلية. قم بتنظيف حامل الخلية. خفف العينة. قم بإجراء الاختبار مرة أخرى. ملاحظة: لا يمكن لهذا الجهاز قراءة قيم امتصاص أعلى من 3.5 Abs.
E-20	قياس الإشارة خارج النطاق	يوجد الكثير من الضوء على جهاز اكتشاف الضوء. تأكد من تركيب غطاء الجهاز بالكامل على حامل الخلية. قم بإجراء الاختبار مرة أخرى. في حالة استمرار الخطأ، اتصل بالدعم الفني.
E-21	قياس الإشارة غير ثابت	توجد إشارة غير ثابتة على جهاز اكتشاف الضوء. الضوء المحيطي كثير للغاية أو غير مستقر. تأكد من تركيب غطاء الجهاز بالكامل على حامل الخلية. قم بإجراء الاختبار مرة أخرى. في حالة استمرار الخطأ، اتصل بالدعم الفني.
E-22	خطأ في الأجهزة	النظام الإلكتروني معيب. اتصل بالدعم الفني.

يمكن أن تحدث الأخطاء التالية مباشرة بعد تحديث الجهاز.

الخطأ	الوصف	الحل
E-30	لا يوجد تطبيق	حدث خطأ أثناء تحديث التطبيق. لم يتم العثور على تطبيق صالح في الجهاز. قم بتحديث الجهاز مرة أخرى.
E31	فشل تحديث أداة تحميل التشغيل	حدث خطأ أثناء إرسال تحديث أداة تحميل التشغيل. قم بتحديث أداة تحميل التشغيل مرة أخرى.
E-32	فشل تحديث التطبيق	حدث خطأ أثناء إرسال تحديث التطبيق. قم بتحديث الجهاز مرة أخرى.
E-66	فشل التحديث	الجهاز معيب. اتصل بالدعم الفني.

القسم 11 قطع الغيار والملحقات

⚠ تحذير

خطر الإصابة الشخصية. قد يؤدي استخدام الأجزاء غير المعتمدة إلى الإصابة الشخصية أو تلف الجهاز أو قصور في تشغيله. قطع الغيار الواردة في هذا القسم هي قطع معتمدة من الشركة المصنعة.



ملاحظة: تختلف أرقام المنتج والبنود حسب بعض مناطق البيع. اتصل بالموزع المناسب أو راجع موقع الشركة على الويب لمعرفة جهة الاتصال.

قطع الغيار

الوصف	الكمية	رقم العنصر
بطاريات AAA، قلوية	4/حزمة	4674300
غطاء الجهاز	1	LPZ445.99.00006
غطاء البطارية	1	LPZ445.99.00007
خلية عينة، 25 مم (10 مل)، زجاجية	6/حزمة	2427606
خلية عينة، 1 سم (10 مل)، بلاستيكية	2/حزمة	4864302

الملحقات

الوصف	الكمية	رقم العنصر
وحدة حماية اتصال Hach	1	LPV446.99.00012
جراب/حاوية بجوانب لينة	1	5953100

**HACH COMPANY World Headquarters**

P.O. Box 389, Loveland, CO 80539-0389
U.S.A.

Tel. (970) 669-3050

(800) 227-4224 (U.S.A. only)

Fax (970) 669-2932

orders@hach.com

www.hach.com

HACH LANGE GMBH

Willstätterstraße 11
D-40549 Düsseldorf, Germany

Tel. +49 (0) 2 11 52 88-320

Fax +49 (0) 2 11 52 88-210

info-de@hach.com

www.de.hach.com

HACH LANGE Sàrl

6, route de Compois
1222 Vézenaz

SWITZERLAND

Tel. +41 22 594 6400

Fax +41 22 594 6499

© Hach Company/Hach Lange GmbH, 2018-2019, 2021. All rights reserved. Printed in China.

