

Micro Pressure Regulators Series CLR

Micro pressure regulators with composite banjo or direct cartridge mounting

Ports: 1/8 or 1/4 in NPTF or BSPP

Tube Connection: Inch or Metric sizes



Series CLR micro pressure regulators are available with 1/8 and 1/4, "G" or NPTF connections. A relieving piston and VS function (rapid reverse flow) has been incorporated into its design.

The body is in brass, while the banjo fitting is in technopolymer which guarantees maximum lightness.

With a threaded top part of the body both direct mounting to a valve outlet (1/8 and 1/4 threads) and panel mounting are easily facilitated.

The pressure is precisely regulated simply by turning the polymer knob with a locking nut available to set the desired output. Pressure is regulated in the 'meter-out' style, from the male thread connection, up and out the tube OD connection.

TECHNICAL SPECIFICATIONS

Construction	piston-type regulation
Materials	Body - Nickel-Plated brass, Knob and Banjo - Nylon composite, Seals - Buna-N, Internals - Brass, Spring - stainless steel
Ports	G1/8 - G1/4, 1/8" & 1/4" NPTF
Weight	Kg 0,035 (0.08 lbs)
Mounting	in-line or panel mounting (in any position)
Operating temperature	-5° C - 50° C (23° F - 122° F), with Dew Point of air at least 2° C (4° F) below the min working temperature
Inlet pressure	2 - 10 bar (29 - 145 psi)
Outlet pressure	0.5 - 10 bar (7.35 - 145 psi)
Nominal flow	see graphs
Secondary pressure relieving	standard (all regulators are provided with high relief flow VS function)
Fluid	Compressed air

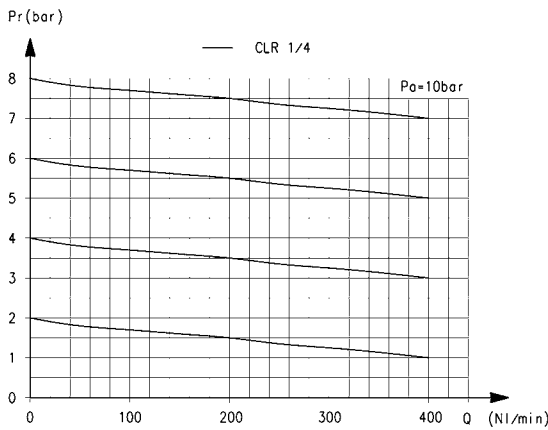
CODING EXAMPLE

CL	R	1/8	-	01	-	4
----	---	-----	---	----	---	---

CL	SERIES
R	R = REGULATOR
1/8	PORTS: 1/8 = G1/8 1/4 = G1/4 02 = 1/8" NPTF with adapters 04 = 1/4" NPTF with adapters
01	DESIGN TYPE: = with relieving 01 = without relieving
4	TUBE: = without banjo 4 = Ø4 mm (G1/8 only) 6 = Ø6 mm 8 = Ø8 mm 53 = 5/32" OD 04 = 1/4" OD 05 = 5/16" OD 06 = 3/8" OD 1/8L = single metal banjo with thread G1/8 (only CLR 1/8) 1/8D = double metal banjo with double thread G1/8 (only CLR 1/8)

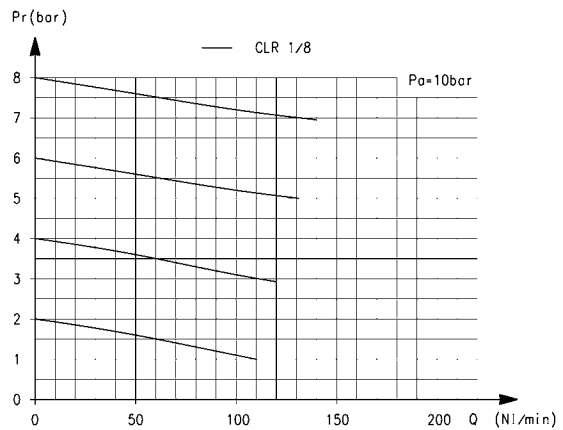
FLOW DIAGRAMS at 6 bar with ΔP1

CLR 1/4" THREAD MODELS



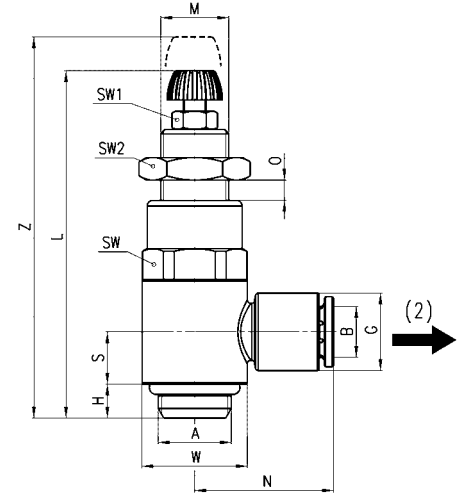
Pa = Inlet pressure (bar)
Pr = Regulated pressure (bar)
Q = Flow (NL/min)
CLR 1/4-6 = 209 NL/min
CLR 1/4-8 = 310 NL/min

CLR 1/8" THREAD MODELS



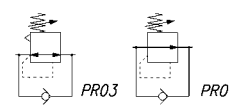
Pa = Inlet pressure (bar)
Pr = Regulated pressure (bar)
Q = Flow (NL/min)
CLR 1/8-4 = 90 NL/min
CLR 1/8-6 = 120 NL/min
CLR 1/8-8 = 120 NL/min

Micro pressure regulators Series CLR



DIMENSIONS (in millimeters)

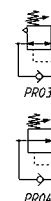
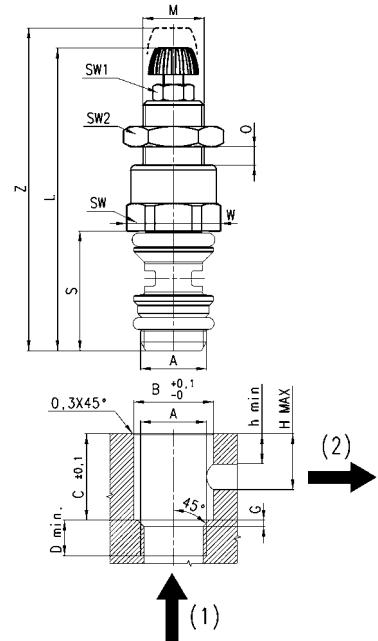
Mod.	A	B	G	H	L	M	N	O	S	W	SW	SW1	SW2	Z
CLR 1/8-4	G1/8	4	11.6	5	52	M11x1	21	0-6.5	7.75	14	14	7	14	59
CLR 1/8-6	G1/8	6	11.6	5	52	M11x1	21	0-6.5	7.75	14	14	7	14	59
CLR 1/8-8	G1/8	8	13.9	5	52	M11x1	22.5	0-6.5	7.75	14	14	7	14	59
CLR 1/4-6	G1/4	6	13.9	6	59.5	M12x1	24.5	0-8	9.25	18.6	17	7	17	68
CLR 1/4-8	G1/4	8	13.9	6	59.5	M12x1	24.5	0-8	9.25	18.6	17	7	17	68
CLR 02-53	1/8" NPTF	5/32" OD	11.6	8	65	M11x1	21	0-6.5	7.75	17.75	14	7	14	72
CLR 02-04	1/8" NPTF	1/4" OD	11.6	8	65	M11x1	21	0-6.5	7.75	14	14	7	14	72
CLR 04-04	1/4" NPTF	1/4" OD	13.9	12	77	M12x1	24.5	0-6.5	21	18.6	17	7	17	85.5
CLR 04-05	1/4" NPTF	5/16" OD	13.9	12	77	M12x1	24.5	0-8	21	18.6	17	7	17	85.5
CLR 04-06	1/4" NPTF	3/8" OD	16.0	12	77	M12x1	24.5	0-8	21	18.6	17	7	17	85.5



(1) = inlet pressure
(2) = regulated pressure

Note: 2520 NPTF adapters added to create NPTF units. Pressure regulation is 'meter-out' style, up and out the thread through the tube connection. Dimension "S" is center-line clearance above sealing surface

Series CLR Micro pressure regulators without banjo



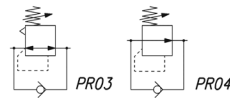
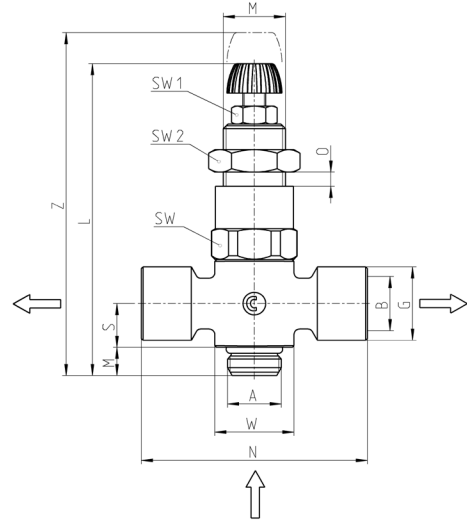
(1) = inlet pressure
(2) = regulated pressure

Dimensions in millimeters (mm)

Mod.	A	B	D		H		L	M	O	S	W	SW	SW1	SW2	Z	
			min.	C	h min	MAX										
CLR 1/8	G1/8	11	15.5	6	1	5,5	10	52	M11x1	0-6.5	20.5	15.2	14	7	14	59
CLR 1/4	G1/4	15.65	18.5	7	1.25	7	12	59.5	M12x1	0-8	24,5	18.5	17	7	17	68

PRO3 = Regulator with relieving and by-pass valve
PRO4 = Regulator without relieving and with by-pass valve

Series CLR Micro pressure regulators with double banjo

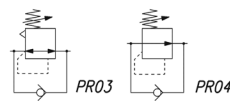
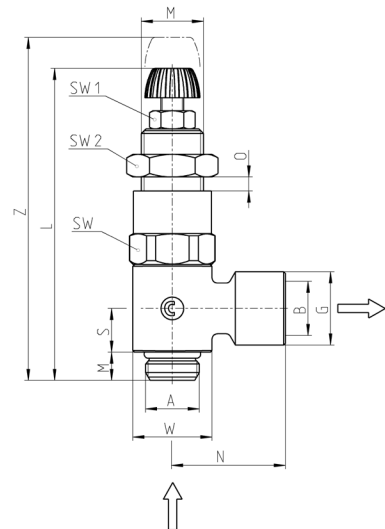


DRAWING NOTE
 (1) = inlet pressure
 (2) = regulated pressure

PRO3 = Regulator with relieving and by-pass valve
 PRO4 = Regulator without relieving and with by-pass valve

Mod.	A	B	G	H	L	M	N	O	S	W	SW	SW1	SW2	Z
CLR 1/8-1/8D	G1/8	G1/8	13	5	52	M11x1	40	0 ± 6.5	7.75	14	14	7	14	59

Series CLR Micro pressure regulators with banjo



DRAWING NOTE
 (1) = inlet pressure
 (2) = regulated pressure

PRO3 = Regulator with relieving and by-pass valve
 PRO4 = Regulator without relieving and with by-pass valve

Mod.	A	B	G	H	L	M	N	O	S	W	SW	SW1	SW2	Z
CLR 1/8-1/8L	G1/8	G1/8	13	5	52	M11x1	20	0 ± 6.5	7.75	14	14	7	14	59