

Pressure Microregulator Series M

Ports 1/8", 1/4" NPTF
Nipple type



New Options for Series M:

- » Locked: preset and non-adjustable at a fixed outlet pressure
- » Calibrated: adjustable up to a maximum preset pressure

The Series "M" pressure regulator is available with 1/8" and 1/4" NPTF ports. Its design incorporates a relieving diaphragm so as to allow incremental adjustments as well.

Microregulators are available with optional regulation types: relieving, non-relieving, very sensitive self-relieving (constant air leak) and VS (valve with rapid reverse flow).

The regulator with sensitive self-relieving holds pressure regulation setting with less hysteresis around set point.

The regulator with the "VS" option offers quicker response in the reverse flow direction, as is typically required when a regulator is mounted between a valve and a cylinder.

These regulators, which have very small dimensions, may be mounted directly on pipes or on a console.

TECHNICAL SPECIFICATIONS

Construction	Diaphragm type
Materials	Nickel-Plated brass body, Buna-N seals, Nylon knob, internals in brass, stainless steel spring
Threaded ports	1/8", 1/4" NPTF
Weight	Kg 0.235 = .5 lbs
Pressure gauge port	1/8" NPTF
Type of mounting	In-line or panel mounting (in any position)
Operating temperature	-5° C - 50° C, (23° F - 122° F), with Dew Point of air at least 2° C (4° F) below the min working temperature

PNEUMATIC DATA

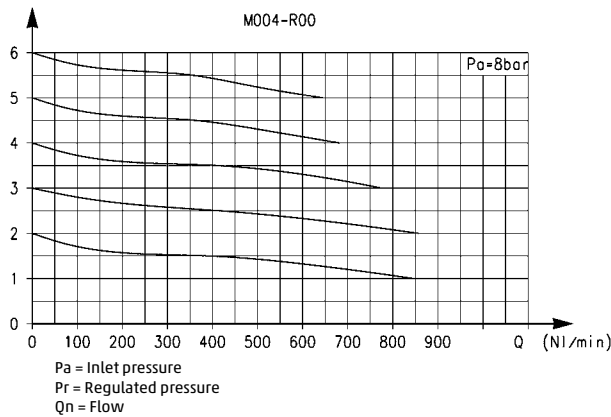
Inlet pressure	0 – 16 bar (0 – 232 psi)
Outlet pressure	0.5 – 10 bar (7.25 – 145 psi), optional outlet pressure ranges offered; see coding
Nominal flow	See graph
Secondary pressure relieving	Standard = self relieving, non-relieving, and fast-response control relieving

CODING EXAMPLE

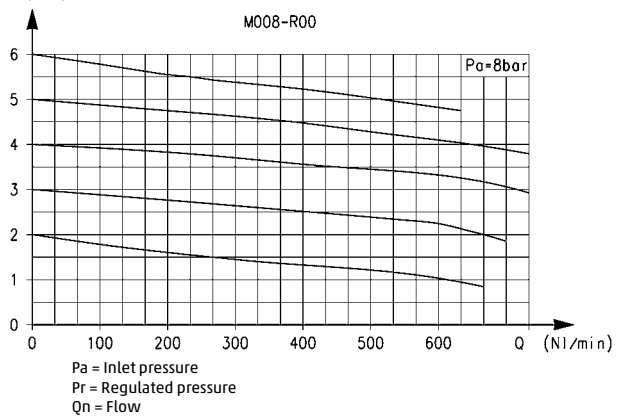
M	0	04	-	R	T	0	2	-	VS	■	-	●	-	TF
M	SERIES													
0	SIZE													
04	PORTS: 08 = 1/8 04 = 1/4													
R	REGULATOR													
T	OPERATING PRESSURE: 0 = 0.5 – 10 bar (7.25 - 145 psi) 1 = 0 – 4 bar (0 - 58 psi) 2 = 0 – 2 bar (0 - 29 psi) 7 = 0.5 – 7 bar (7.25 - 103 psi) T = Calibrated * (adjustable up to a maximum fixed pressure) B = Locked * (fixed at a set pressure; non-adjustable)													
0	DESIGN TYPE: 0 = self relieving diaphragm 1 = non relieving 5 = fast-response control, (metal-to-metal seat),relieving													
2	PRESSURE GAUGE = without pressure gauge (standard) 1 = with pressure gauge 0-2.5 with working pressure 0-2 bar (0-30 psi) 2 = with pressure gauge 0-6 with working pressure 0-4 bar (0-60) 3 = with pressure gauge 0-10 with working pressure 0,5-7 bar (0-102) 4 = with pressure gauge 0-12 with working pressure 0,5-10 bar (0-145 psi)													
VS	REGULATION TYPE "Blank" = without high relief flow VS = high relief flow, rapid reverse flow													
●	* NOTE : If regulator is "calibrated" or "locked," add the inlet pressure ■ and the outlet pressure ● to the end of the model code. ■ = enter the SUPPLY pressure value (in BAR) ● = enter the OUTLET pressure (in BAR) for the locked regulator or the maximum pressure value of the calibrated regulator. Example: Calibrated regulator with Inlet Pressure = 6.3 Bar and Outlet Pressure = 4.5 Bar Complete part number: M004-RT0-6.3-4.5-TF													
TF	PORT TF = NPTF Blank = BSPP thread ports													

FLOW DIAGRAMS

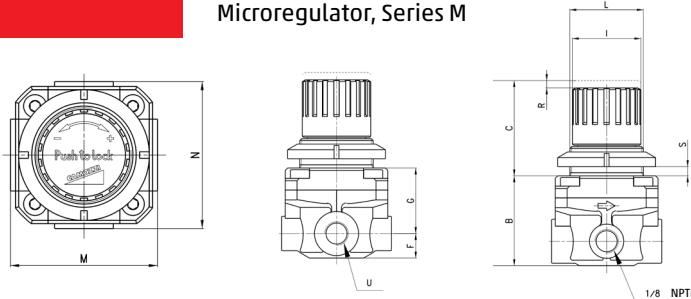
M004-R00TF - 1/4" Model
Pr (bar)



M008-R00TF - 1/8" Model
Pr (bar)

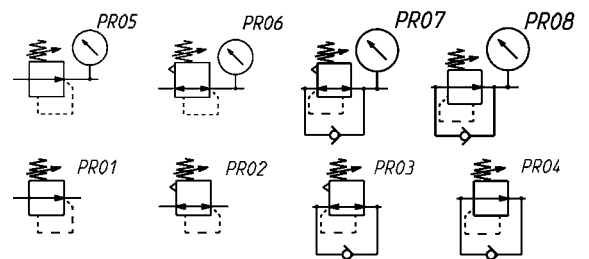


Microregulator, Series M



DIMENSIONS (in inches)

Mod.	A	B	C	F	G	I	L	M	N	R	S	U
M008-R00TF	2.992	1.457	1.535	.394	1.063	1.102	30x1.5	1.772	1.772	.118	0 - .236	1/8" NPTF
M004-R00TF	2.992	1.457	1.535	.394	1.063	1.102	30x1.5	1.772	1.772	.118	0 - .236	1/4" NPTF

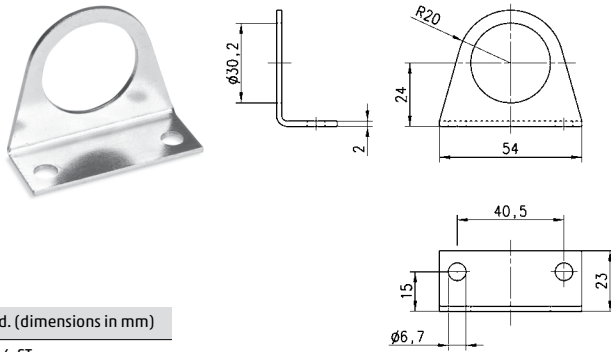


- PR01 = reg. without relieving
- PR02 = reg. with relieving
- PR03 = reg. with relieving and by-pass valve
- PR04 = reg. without relieving with by-pass valve
- PR05 = reg. without relieving with pressure gauge
- PR06 = reg. with relieving and pressure gauge
- PR07 = reg. with relieving, by-pass valve and pressure gauge
- PR08 = reg. without relieving with by-pass valve and pressure gauge

Mounting Brackets, Accessories and Kits - Series M, N, and T

Mounting bracket, Series MC-M-N-T

Mounting bracket for Regulators and Filter-Regulators (1/8 & 1/4) - zinc-plated steel bracket

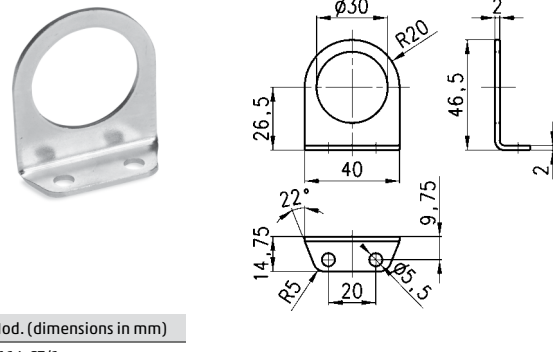


Mod. (dimensions in mm)

C114-ST

Mounting bracket, Series MC-M-N-T

Mounting bracket for Regulators and Filter-Regulators (1/8 & 1/4) - zinc-plated steel bracket

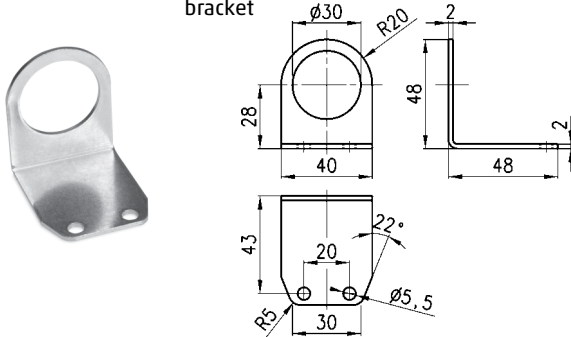


Mod. (dimensions in mm)

C114-ST/1

Mounting bracket Series MC-M-N-T

Mounting bracket for Regulators and Filter-Regulators, (1/8 & 1/4) - zinc-plated steel bracket

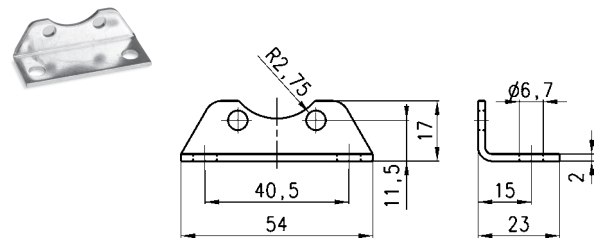


Mod. (dimensions in mm)

C114-ST/2

Mounting bracket Series Series N

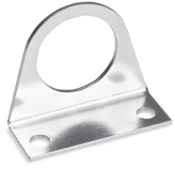
Mounting bracket (for N204 Filters and Lubricators) (complete with 2 screws M5x6 and bracket, zinc-plated steel).



Mod. (dimensions in mm)

N204-ST

ACCESSORIES FOR SERIES M AND T MICROREGULATORS



Mounting bracket
Mod. C114-ST



Mounting bracket
Mod. C114-ST/1



Mounting bracket
Mod. C114-ST/2

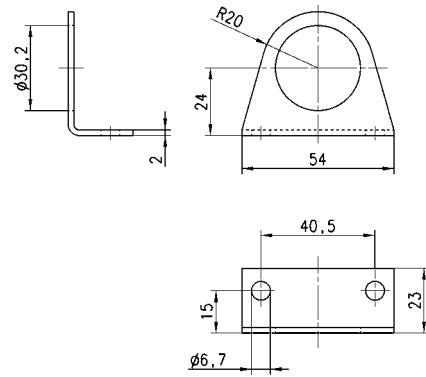
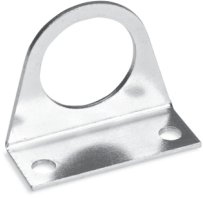
REGULATORS



Systems of rapid connections designed to make mounting easier.

Mounting bracket Mod. C114-ST

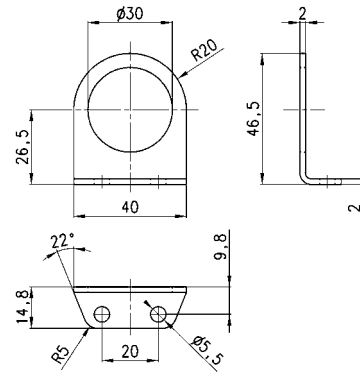
The kit is supplied with:
1x zinc-plated steel bracket.



Mod.
C114-ST

Mounting bracket Mod. C114-ST/1

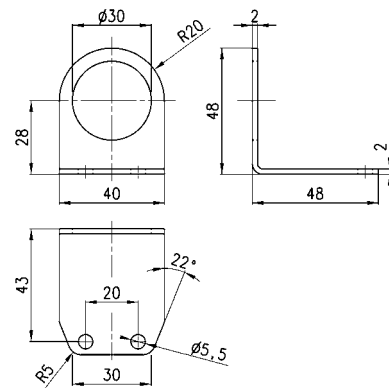
The kit is supplied with 1 zinc-plated steel bracket.



Mod.
C114-ST/1

Mounting bracket Mod. C114-ST/2

The kit is supplied with 1 zinc-plated steel bracket.



Mod.
C114-ST/2