

Pressure Microregulators Series T

5

Ports 1/8" and 1/4" NPTF



- » Extremely lightweight
- » Compact
- » In-line or console mounting

REGULATORS

Series T pressure regulators are available with 1/8 and 1/4 brass connections.

A self-relieving piston has been incorporated into the standard design.

Non-relieving versions are also available.

All models are equipped with a valve enabling rapid reverse flow (VS) which is useful when a regulator should be inserted between the valve and cylinder (or volume chamber) without any negative influence on the normal exhaust.

TECHNICAL SPECIFICATIONS

Construction	piston -type regulation, (not diaphragm)
Materials	Nylon Composite Body, Buna-N seals, Nylon knob, internals in brass
Threaded ports	1/8", 1/4" NPTF
Weight	g 95 , 0.2 lbs
Pressure gauge port	1/8" NPTF
Type of mounting	In-line or panel mounting (in any position)
Operating temperature	-5° C - 50° C, (23° F - 122° F), with Dew Point of air at least 2° C (4° F) below the min working temperature

PNEUMATIC DATA

Inlet pressure	0 - 12 bar , 0 - 175 psi
Outlet pressure	0.5 –10 bar (7.25 – 145 psi), optional outlet pressure ranges offered
Nominal flow	See graph
Secondary pressure relieving	Standard = self relieving, non-relieving, and fast-response control relieving

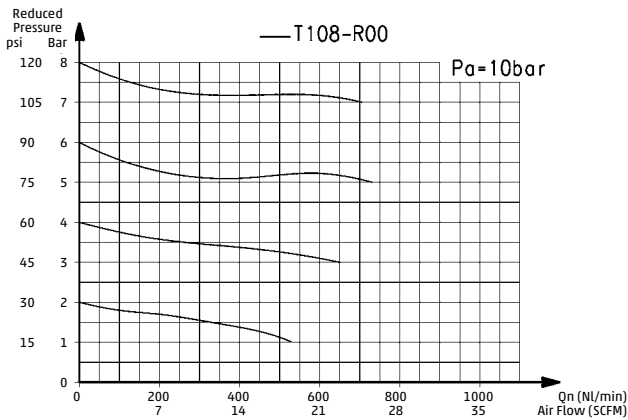
CODING EXAMPLE

T	1	08	-	R	0	0	-	TF
---	---	----	---	---	---	---	---	----

T	SERIES
1	SIZE
08	PORTS: 08 = 1/8 04 = 1/4
R	REGULATOR
0	OPERATING PRESSURE: 0 = 0,5 - 10 (7.25 - 145 psi) 1 = 0 - 4 (0 - 58 psi) 2 = 0 - 2 (0 - 29 psi) 7 = 0 - 7 (0 - 103 psi)
0	DESIGN TYPE: 0 = self-relieving 1 = non relieving
	PRESSURE GAUGE: Blank = without pressure gauge 1 = with pressure gauge 0-2.5 bar with working pressure 0-2 bar (0-30 psi) 2 = with pressure gauge 0-6 bar with working pressure 0-4 bar (0-60 psi) 3 = with pressure gauge 0-10 bar with working pressure 0-7 bar (0-102 psi) 2 = with pressure gauge 0-12 bar with working pressure 0-10 bar (0-145 psi)
TF	PORT TF = NPTF Blank = BSPP thread ports

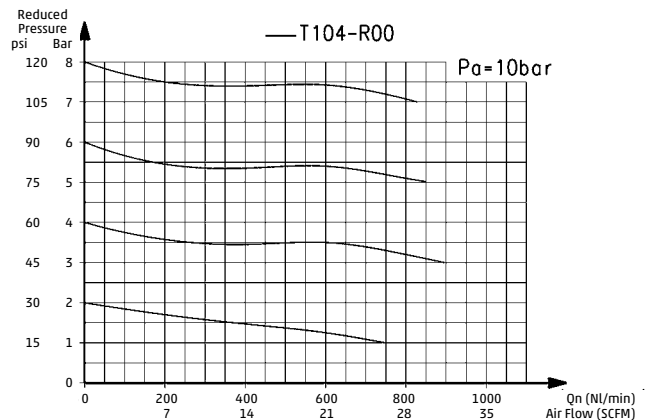
FLOW DIAGRAMS

T108-R00TF



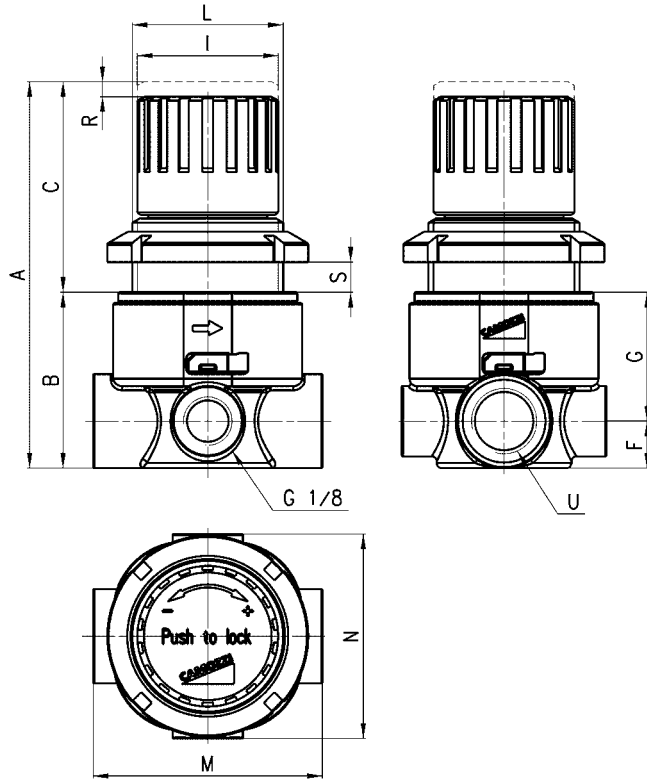
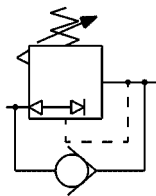
Pa = Inlet pressure
Pr = Regulated pressure
Qn = Flow

T104-R00TF



Pa = Inlet pressure
Pr = Regulated pressure
Qn = Flow

Pressure microregulator Series T



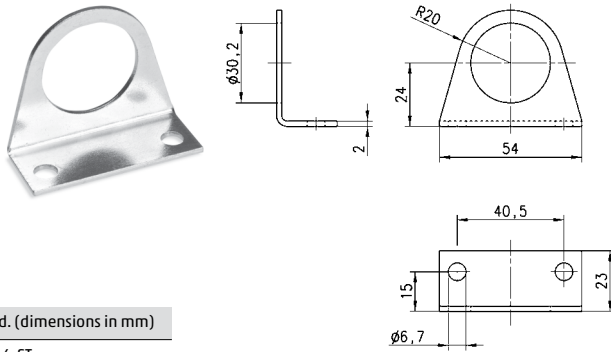
DIMENSIONS (in inches)

Mod.	A	B	C	F	G	I	L	M	N	R	S	U (NPTF)
T108-R00TF	3.032	1.378	1.654	0.375	1.00	1.102	M30X1,5	1.811	1.614	0.118	0.276	1/8
T104-R00TF	3.032	1.378	1.654	0.375	1.00	1.102	M30X1,5	1.811	1.614	0.118	0.276	1/4

Mounting Brackets, Accessories and Kits - Series M, N, and T

Mounting bracket, Series MC-M-N-T

Mounting bracket for Regulators and Filter-Regulators (1/8 & 1/4) - zinc-plated steel bracket

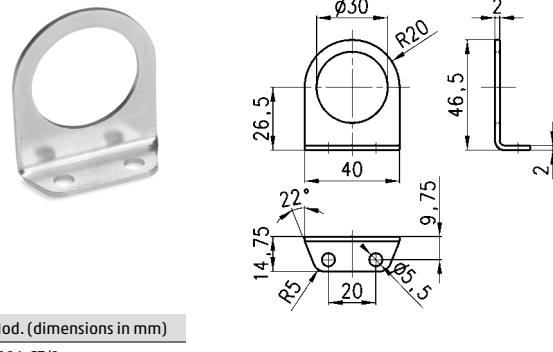


Mod. (dimensions in mm)

C114-ST

Mounting bracket, Series MC-M-N-T

Mounting bracket for Regulators and Filter-Regulators (1/8 & 1/4) - zinc-plated steel bracket

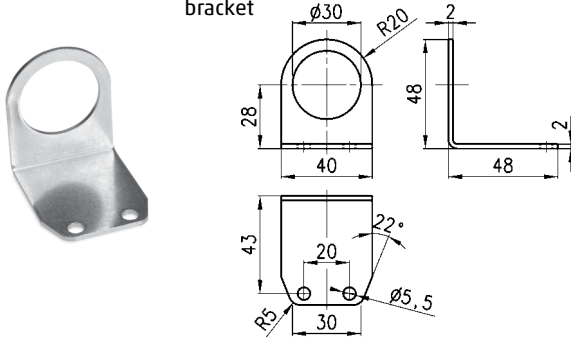


Mod. (dimensions in mm)

C114-ST/1

Mounting bracket Series MC-M-N-T

Mounting bracket for Regulators and Filter-Regulators, (1/8 & 1/4) - zinc-plated steel bracket

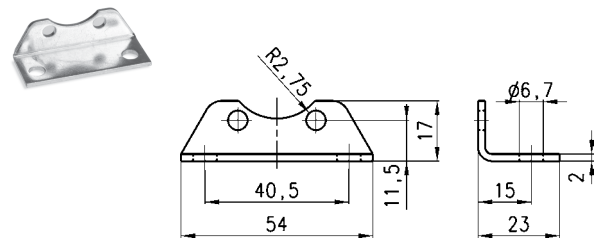


Mod. (dimensions in mm)

C114-ST/2

Mounting bracket Series Series N

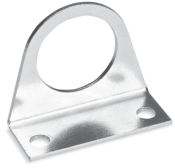
Mounting bracket (for N204 Filters and Lubricators) (complete with 2 screws M5x6 and bracket, zinc-plated steel).



Mod. (dimensions in mm)

N204-ST

ACCESSORIES FOR SERIES M AND T MICROREGULATORS



Mounting bracket
Mod. C114-ST



Mounting bracket
Mod. C114-ST/1



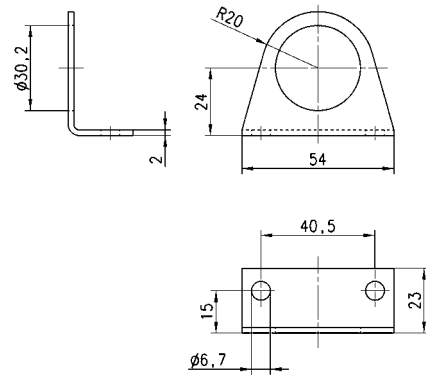
Mounting bracket
Mod. C114-ST/2



Systems of rapid connections designed to make mounting easier.

Mounting bracket Mod. C114-ST

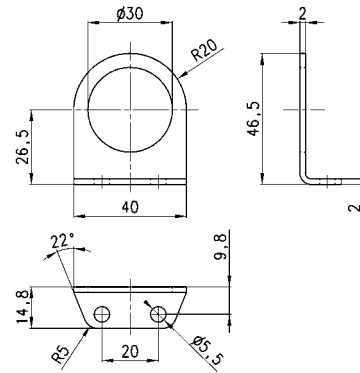
The kit is supplied with:
1x zinc-plated steel bracket.



Mod.
C114-ST

Mounting bracket Mod. C114-ST/1

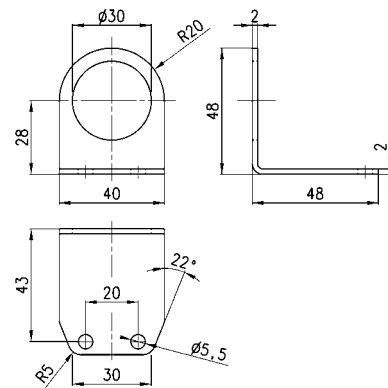
The kit is supplied with 1 zinc-plated steel bracket.



Mod.
C114-ST/1

Mounting bracket Mod. C114-ST/2

The kit is supplied with 1 zinc-plated steel bracket.



Mod.
C114-ST/2