

Adjustable Pressure Relief Valve Series VMR

5

Valve with adjustable exhaust Mod. VMR



» Mod. VMR: maintains system pressure at a constant set point. In case of system, tank or line over-pressure state, will rapidly exhaust to atmosphere until set point is reached thereby closing off exhaust flow from the VMR relief valve

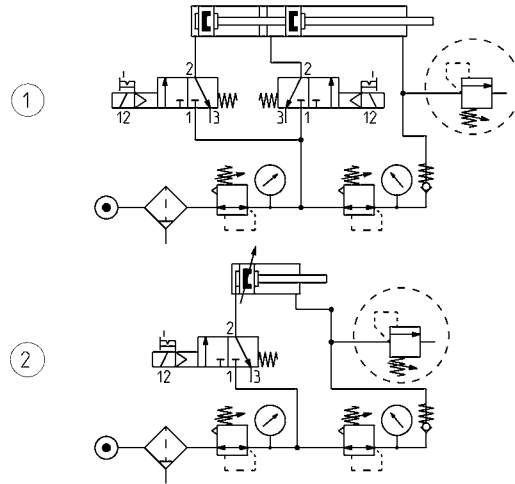
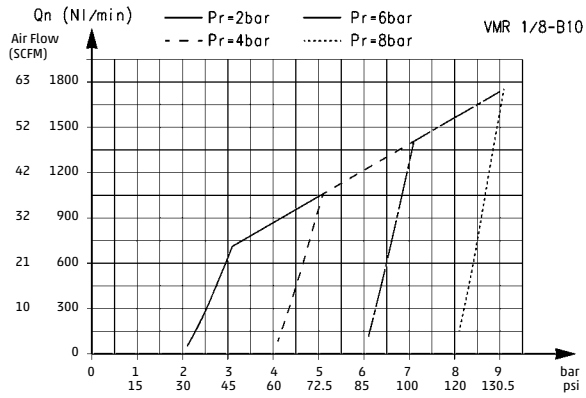
REGULATORS

The adjustable valves Mod. VMR 1/8-B10 allow to maintain tank/capacity at a constant pressure value and thus enable a quick exhaust to atmosphere in case of an internal overpressure.

GENERAL DATA

Valve group	automatic valves
Construction	Mod. VMR: diaphragm type
Materials	Mod. VMR: brass body - zinc-plated steel spring - NBR seals
Mounting	in any position
Ports	1/8" G (BSPP) , NPTF available upon special order
Operating temperature	Mod. VMR: -5°C - 50°C (23 deg F - 122 deg F), with Dew Point of air at least 2° C (4° F) below the min working temperature
Fluid	filtered air, without lubrication. If lubricated air is used, it is recommended to use ISO VG32 oil. Once applied the lubrication should never be interrupted.

VALVE Mod. VMR 1/8-B10 - FLOW DIAGRAM and FUNCTIONING SCHEMES



FLOW DIAGRAM

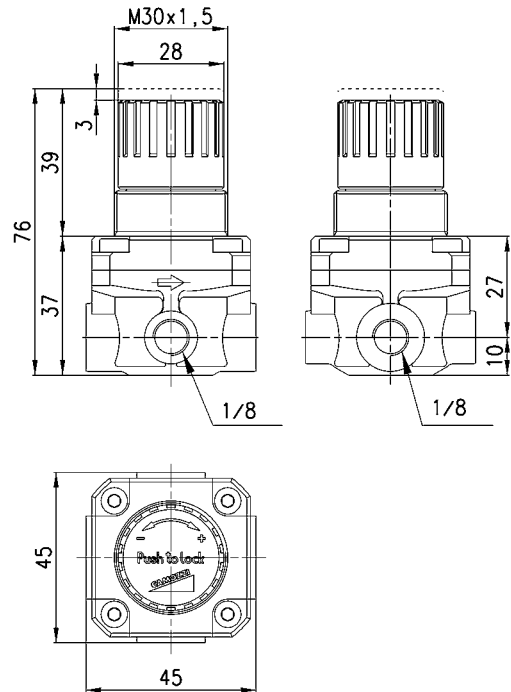
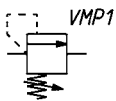
Pa = Inlet pressure (i.e. line pressure from cylinder or tank)
 Pr = Regulated pressure (i.e. set point for desired exhaust limit)
 Qn = Flow (i.e. exhaust that develops as system line pressure exceeds set point maximum desired)

FUNCTIONING SCHEME 1: overpressure exhaust in a cylinder chamber or in a tank when the set value has been exceeded.

FUNCTIONING SCHEME 2: VMR valve with maximum adjustable pressure allows pressure in a cylinder chamber or in tank to exhaust in the atmosphere every time the set regulation value is exceeded.

Valve with maximum adjustable pressure Mod. VMR 1/8-B10

Working pressure: 1 bar - 8 bar



Mod.
VMR 1/8-B10