

Series 2

Manually Operated Console Minivalves

Cv = .06

3/2 and 5/3-way
Ports M5 (10-32 UNF)
Cartridge \varnothing 4 mm (5/32" O.D.)

The manually operated console valves come standard with a 22 mm diameter mounting aperture which consists of our own valves combined with manual devices. This feature means that all the manual devices, 22 in diameter, can be used. This series of miniature valves has been specially designed to satisfy all the application requirements of the controls industry, with particular attention being paid to the operating characteristics which are required from these components:

- Low actuating force=6N (1.35 lbs.)
- Short operational stroke
- Small dimensions
- Speed and accuracy of signal
- Reduced air consumption

The versatility of the manual range is expandable. It is possible to mount an electrical switch next to the miniature valve. In this case, the base piece Mod. 220-000 is required.

Note: Several additional push buttons, switches, lighted operators and electrical controls are available which integrate into this product line. Contact factory for details, lead time and part number codes.



TECHNICAL SPECIFICATIONS

Valve group	3-way/2-position, 5-way/3-position
Construction	Poppet type
Mounting	On consoles, control panels or cabinets: bulkhead design
Materials	Anodized body, Brass poppet gate, Buna-N seals
Threaded port sizes	M5 (10-32 UNF) thread, or 4 mm OD cartridge (5/32" OD tube connect)
Installation	Bulkhead, or single panel mount
Operating temperature	32°F - 175°F, (dry air necessary down to -4°F)
Fluid	Filtered air (25 micron or less recommended)
Lubricant	Not required. Otherwise, only oil compatible with Buna-N, (3° - 10° E) (approximate 32 centistokes viscosity), ISOVG32 grade

PNEUMATIC DATA

Operating pressure	2 - 10 bar, (30 - 145 psi)
Nominal pressure	6 bar, (87 psi)
Nominal flow	*Qn = 60 NL/min. (2.12 SCFM)
Nominal diameter	2.5 mm
Cv Rating	0.06

*Qn flowrate (SCFM) determined with a supply pressure of 6 bar, (87 psi), and with a pressure drop of 1 bar, (14.5 psi).

**Dimensions are in millimeters.

CODING OF MINIVALVES

2	3	4	-	97	5
2	SERIES				
3	FUNCTION: 3 = 3/2-way NC 4 = 3/2-way NO 8 = 5/3-way CO				
4	PORTS: 4 = cartridge ø 4 (5/32" OD) 5 = M5 (10-32 UNF)				
97	MODE OF OPERATION: 87 = 3 position selector 89 = push button 97 = palm switch 90 = joystick 99 = 2 position selector 92 = pedal 904 = key				
5	RESETTING: 5 = spring return 0 = stable 2 = latching-twist to release 54 = joystick				

Manually operated console minivalves (operators shown below as spare parts, see code key for complete assemblies) Cv = .06



Mod. **200-895** (ø22 mm)
red - black - green



Mod. **200-975** (ø22 mm)
red



Mod. **200-972** (ø22 mm)
red



Mod. **200-905** (ø22 mm)
Mod. **200-905** (ø30 mm)
red



Mod. **200-990** (ø22 mm)
black



Mod. **200-870** (ø22 mm)
black



Mod. **200-904** (ø22 mm)



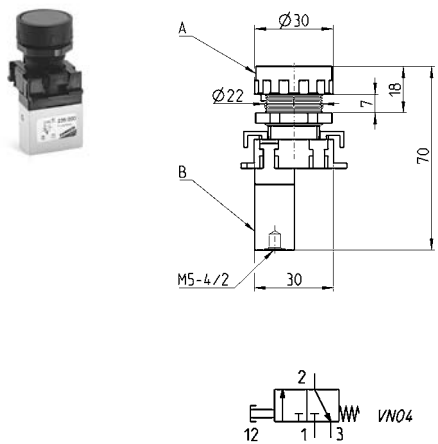
Mod. **234-9054**



Mod. **200-925**

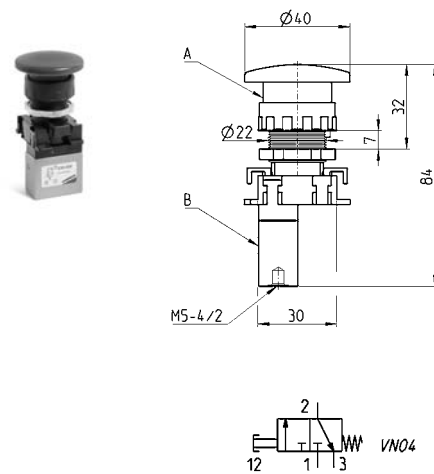
Minivalves Mod. 235-895 and Mod 234-895 Cv = .06

(235-895 and 234-895).
Actuation force at 6 bar = 7 in (1.5 lbs)



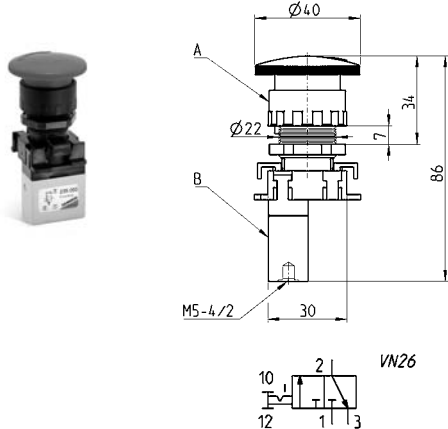
Minivalves Mod. 235-975 and Mod 234-975 Cv = .06

(235-975 and 234-975).
Actuation force at 6 bar = 7 in (1.5 lbs)



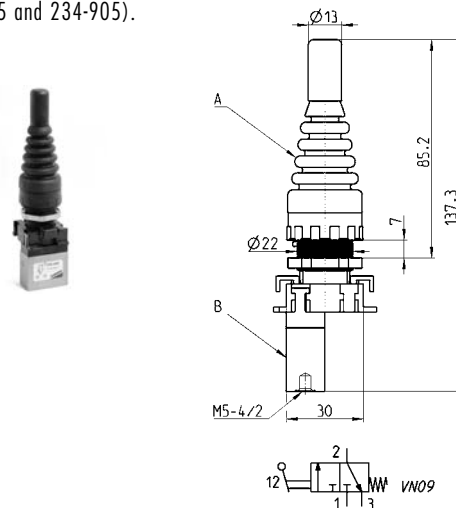
Minivalves Mod. 235-972 and Mod 234-972 Cv = .06

(235-972 and 234-972).
Actuation force at 6 bar = 7 in (1.5 lbs)



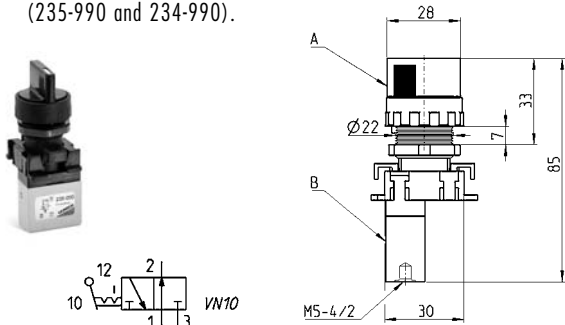
Minivalves Mod. 235-905 and Mod 234-905 Cv = .06

(235-905 and 234-905).



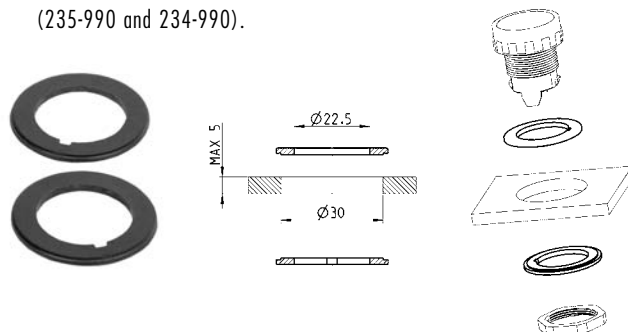
Minivalves Mod. 235-990 and Mod 234-990 Cv = .06

(235-990 and 234-990).



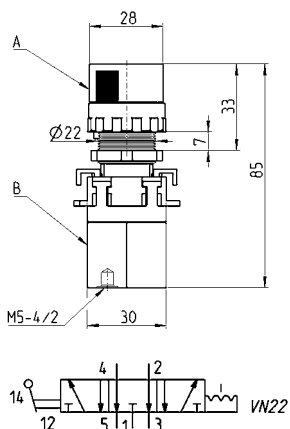
Adaptor Mod. 200-2230

(235-990 and 234-990).



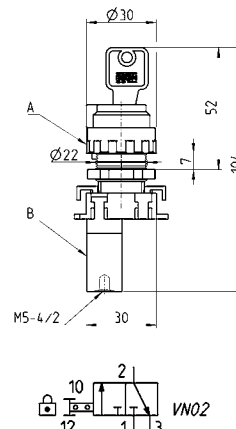
Minivalves Mod. 285-870 and Mod 284-870 Cv = .06

(285-870 and 284-870).



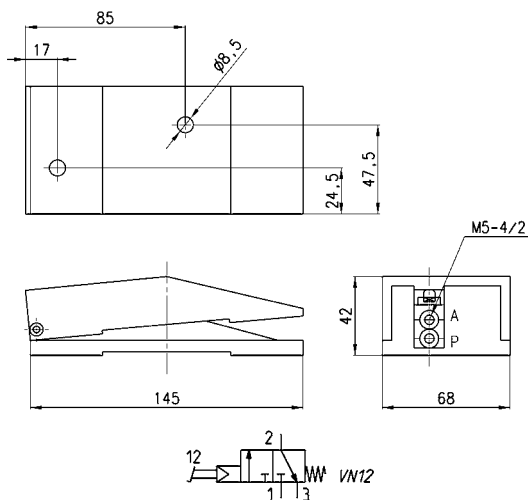
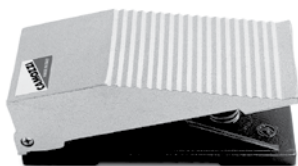
Minivalves Mod. 235-904 and Mod 234-904 Cv = .06

(235-904 and 234-904).



Pedal Mod. 235-925 and Mod 234-925 Cv = .06

Cv = .06



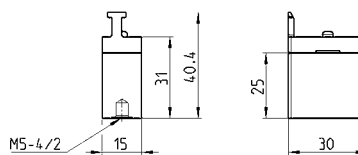
Mod.

235-925 10-32 UNF

234-925 5/32" OD

Minivalves Mod. 235-000 and Mod 234-000 (Spare Parts) Cv = .06

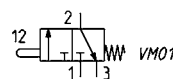
Cv = .06



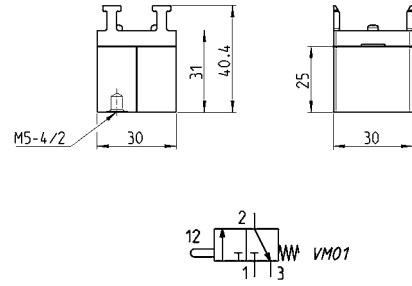
Mod.

235-000 10-32 UNF

234-000 5/32" OD

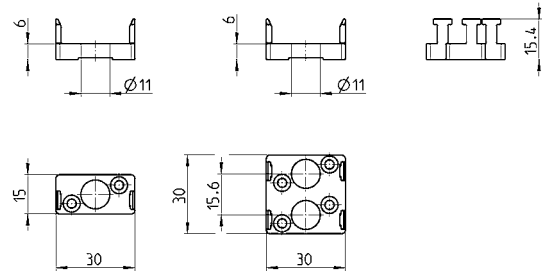
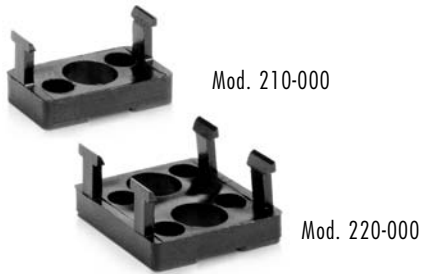


Minivalve Mod. 284-000 and Mod 285-000 (Spare Parts)



Mod.
284-000
285-000

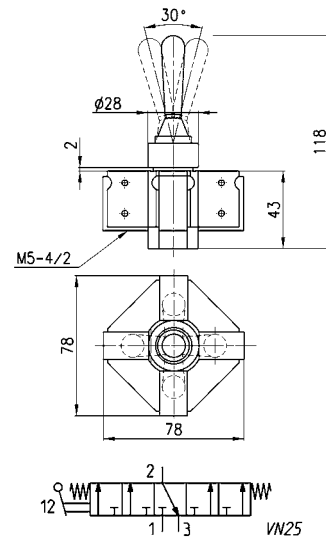
Adaptors Mod. 210-000 and Mod 220-000 (Spare Parts)



Joystick Mod. 234-9054

Cv = .06

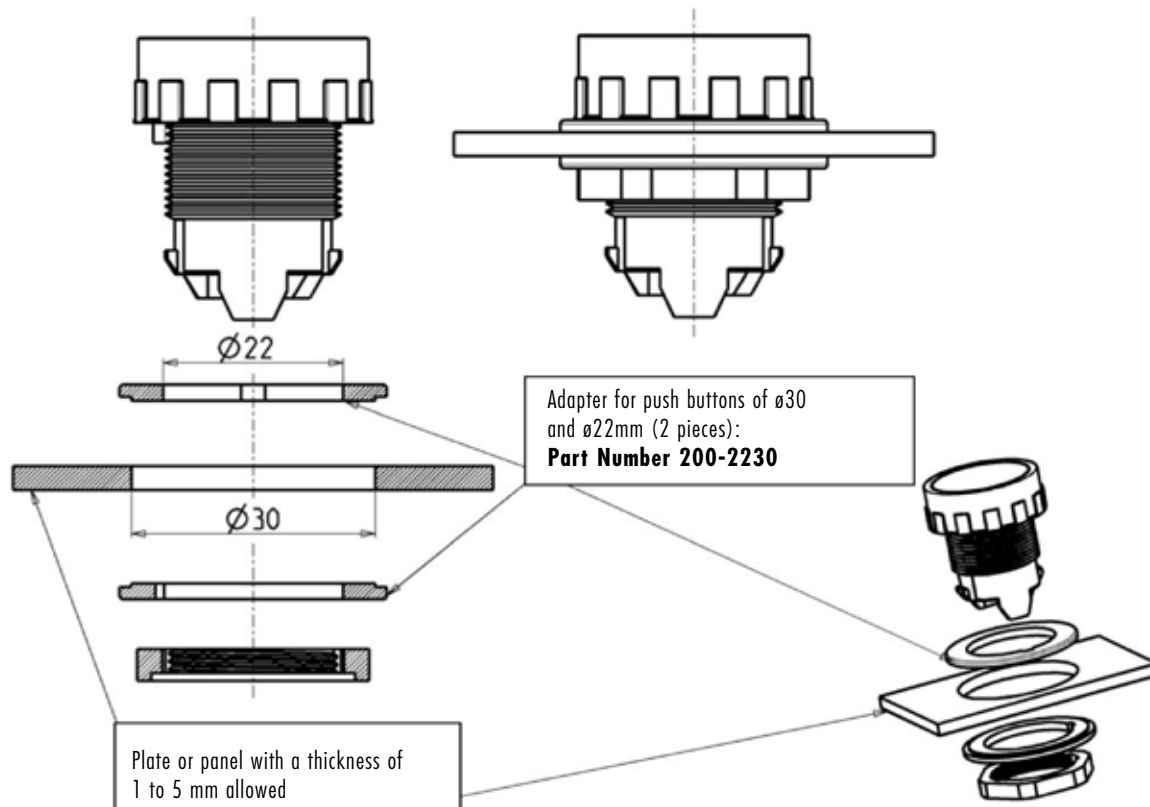
Minimum pressure = 2 bar (30 psi)
 Note: Valve is composed of 4 pieces of Mod. 234-000,
 each actuated by 1 direction of joystick



Mod.
234-9054

Panel Assembly Guide

Adapter for standard 22mm operators to fit 30mm diam. panel openings



Optional electrical assembly with Normally Open/Closed contacts, lighted button, etc.



Contact factory for details, part number, and availability.