

OKTO BAND SAW MODEL MK7



Index:

General Data	2
Owner's Responsibility	3
Authorised Crown National Distributors	3
Parts Ordering / Service Information	4
Prior to Installation of Equipment	4
Cleaning Process	4
Trouble Shooting	5
Installation	6
Wiring Diagrams	7
Spares	8
Preventative Maintenance	11
Lubrication	12
Safety	12

OKTO



GENERAL DATA:

MANUFACTURER: Reg No. 1954/002040/07
Vulcan Catering Equipment (Pty) Ltd
P O Box 60188 5 Newclare Road
Langlaagte 2102 Industria 2093
Johannesburg Johannesburg
South Africa South Africa
Web Site: www.vulcan.co.za

MODEL/SERIAL NUMBER: 302/11/0073 ONWARDS

ELECTRICAL LOAD: Three Phase
1.5kW

ELECTRICAL SUPPLY: 400 Volts

STARTER : Remote On/Off push button with O/L Relay

RELAYBLADE: 2870 X 15.875 X 2 Teeth per cm
(113" X 5/8 X 5 T.P.I)

PRODUCT DESCRIPTION:

The Band Saws are of a robust construction with heavy duty fabricated doors, heads and bases. The base is provided with 4 levelling feet. Saw wheels are made of cast iron, running on heavy duty bearings with scrapers on both wheels.

The machine has the following additional features:

Tensioned Scraper Assemblies

These are designed to keep the blade and wheels free of debris and support the blade while cutting. These assemblies are easily removable for cleaning.

Easy slide table

This system ensures a smooth and precise moving table, reducing effort and increasing productivity.



Blade Tensioning System

The spring loaded tensioning system is incorporated into the top wheel assembly with an eye level tension indicator. It assures proper blade tension for a clean cut and lasting blade life.

Accessories supplied

2 Band Saw blades

1 Bone dust box

Safety Feature

Doors must remain closed at all times while the Band Saw is in operation. The upper and lower wheel door / covers are fitted with Limit Switches. If the motor is running and either of the doors are opened the motor will cut out as a safety precaution.

OWNERS RESPONSIBILITY:

It is the owners responsibility to:

- To ensure that the Band Saw unit is regularly and properly maintained.
- Ensure that all safety devices and warning signs are in their original location.
- The unit is not intended for use by persons (including children) with reduced physical sensory or mental capabilities, or lack of experience and knowledge, unless overseen and supervised by trained personnel.
- Replace warning signs or manuals when necessary.
Contact an authorised Crown National Distributor.

AUTHORISED CROWN NATIONAL DISTRIBUTORS:

Johannesburg Branch Office	(011)	201 - 9100
Bloemfontein Branch Office	(051)	430 - 0240
Cape Town Branch Office	(021)	527 - 6100
Durban Branch Office	(031)	263 - 0533
East London Branch Office	(043)	722 - 9730
Nelspruit Branch Office	(013)	752 - 2040
Pietersburg Branch Office	(015)	293 - 1610
Port Elizabeth Branch Office	(041)	484 - 3221
Pretoria Branch Office	(012)	335 - 4821

PARTS ORDERING / SERVICE INFORMATION:

Parts/ spares orders must be placed directly with your local branch / distributor.
To help speed up your order, we require the following information:

1. Model / Serial Number _____
2. Voltage (400V) _____
3. Item Part Number _____
4. Quantity Required _____

The serial number data plate is situated at the back rear side of the unit.

Service information may be obtained by calling your local branch / distributor.
When calling, please have the following information available:

1. Model / Serial Number _____
2. Voltage (400V) _____
3. Nature of Service Problem _____

PRIOR TO THE INSTALLATION OF EQUIPMENT:

- Read the operating manual to make sure that the installation meets all the requirements as specified within the Operating and Installation manual provided with your unit.

BEFORE CLEANING THE MACHINE ISOLATE THE UNIT FROM THE MAINS POWER SUPPLY.

CLEANING:

1. Use a soft sponge and warm soapy water when cleaning.
2. Care must be taken in cleaning not to damage machined surfaces.
3. Wipe surface with soapy damp cloth.
4. Never use soda, steel wool, green 3M scouring pad or any other harsh abrasive to clean the unit.
5. Do not spray the unit with a high pressure hose or spray gun.
6. To ensure trouble free operation, the following parts must be cleaned.



Daily:

- **Blade and wheel cleaner**

Blade cleaner assemblies (22) & (24) should be removed and cleaned regularly. This is best done with the blade off. After cleaning, apply a few drops of oil to support the roller part.

- **The top wheel:**

This is removed by loosening the tension knob (1) on top of the machine. This wheel must be wiped with a damp cloth.

Be sure not to interchange the wheels on different machines as each wheel is aligned so as to fit on a specific machine.

- **Carriage**

The carriage can be easily removed by lifting the toggle stop (15) and sliding the carriage off the track. After cleaning apply a few drops of oil to the carriage wheels.

- **Stationary table**

This table is removed by turning the Locking Spindle (8) in an anti-clockwise direction. Then from the back pull the table towards yourself and lift the front up. This can be hosed off or placed in water. Be sure to clean the base of the machine to ensure proper re-alignment

- **Thickness gauge**

The gauge moves easily and is locked firmly by a slight turn of the hand screw. It swings out of the way when not required. It slides on a stainless steel shaft which should be given an occasional smear of oil.

TROUBLE SHOOTING

COMPLAINT	POSSIBLE CAUSE	REMEDY
• Not running	<ul style="list-style-type: none"> • Faulty power supply • Safety doors open 	<ul style="list-style-type: none"> • Switch power supply on • Close all doors
• Unit not starting		<ul style="list-style-type: none"> • Check D.O.L • Check Power Supply • Check Door Switches
• Blade jumping off/Breaking		<ul style="list-style-type: none"> • Adjust the tension of the blade • Make sure yoke is facing in the right direction • Blade alignment out • Residue builds up in guide block. Remove and clean Guide Block • Wheel alignment • Make sure the blades teeth are facing the right direction • Blade alignment out • Make sure the blade is the correct size
• Heating of the blade	<ul style="list-style-type: none"> • Residue builds up in guide block. 	<ul style="list-style-type: none"> • Remove and clean Guide Block • Adjust blade tension • Make sure the blade is correctly place in the Guide Block
• Motor not breaking after the unit is switched off		<ul style="list-style-type: none"> • Adjust the air gap on the break • Replace brake/motor
• Overheating of motor		<ul style="list-style-type: none"> • Motor breaks not releasing. Test rectifier and break coil • Phase of power supply missing • Motor windings damaged

INSTALLATION:

- 1) Before leaving the factory, the unit has been fully assembled and undergone final tests.
- 2) Position unit on floor. Level the machine by screwing the adjustable feet (27) in or out as required, tighten the lock nut on the adjustable studs.
- 3) Electrical Installation
 - a) Connect to a suitable 3 phase 400V AC 50Hz supply.
 - b) Ensure the unit is effectively earthed and wiring is in accordance with regulations.

After connection, the rotation of the motor must be checked before use. Saw blade must run vertically downwards. (Anti clockwise)

4) Fitting of Saw Blade

Switch off the Isolator first.

Open upper and lower doors, push carriage to the rear, tip up plastic guide.(10)

The blade can now be fitted over the wheels and between the blade guides and blade cleaners. Use only best quality butt welded blading.

2870mm maximum length x 15.875mm wide x 2 Teeth per cm.

As per precaution, see that there is no step or lump at the weld on the edge opposite the teeth when fitting.

5) Tensioning of Saw Blade

Turn tension knob (1) in a clockwise direction until the tension marker is in the centre of the slot on the tension unit. (3)

DO NOT OVER TIGHTEN THE BLADE as this only stretches it and strains the machine.

The upper wheel is set to tip the blade off, if it is over tightened.

- 6) However, if the blade tends to come off without over tightening, the wheel can be re-set by loosening the lock nut on the wheel setting screw, at the bottom of the yoke turn the screw in $\frac{1}{4}$ turn and re-lock the nut. DO NOT over adjust this screw or the blade will press against the flange of the wheel causing damage to the blade and the wheel.

An extra blade will be found in the bone dust box along with spare parts guide.

7) Blade guide and supports

All blade guides and support will be subjected to wear and must be replaced when worn. To lengthen blade life, use genuine replacement parts.

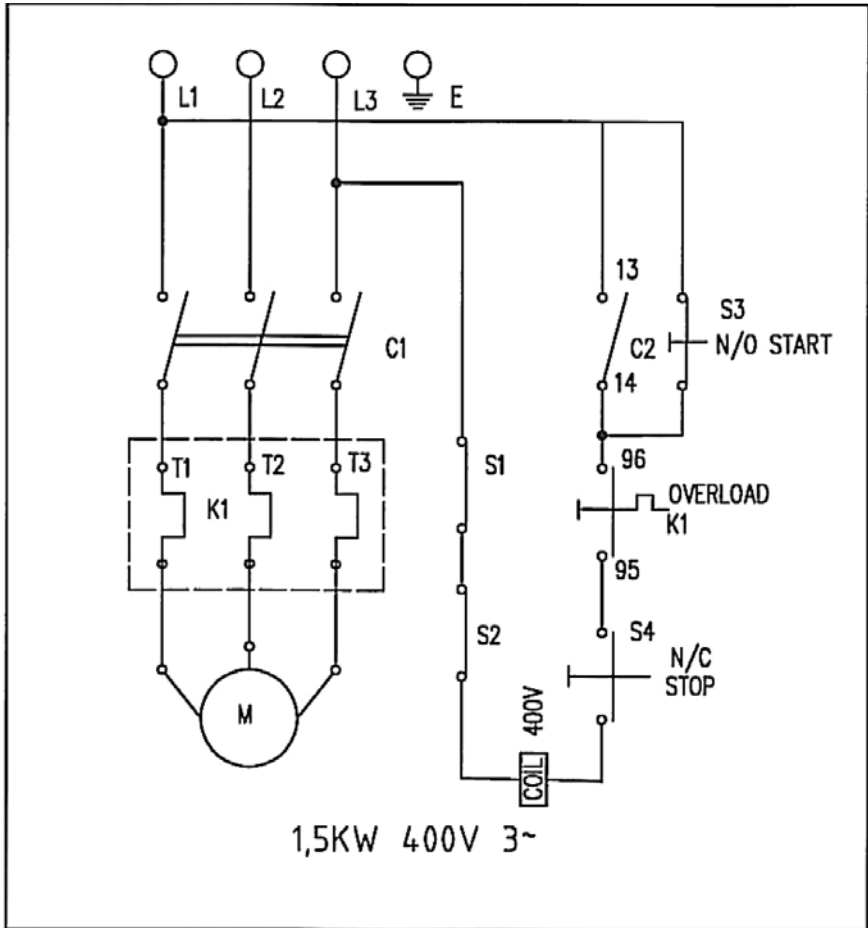
- 8) Set you guard carrier bar (2) to the desired position. Your machine is now ready for operation turn the machine on by pressing the green button on the switch box and the red button to turn off. In case of an emergency, switch the machine off by pressing the red button.

9) PLEASE NOTE

The installation of the equipment must be done by a qualified registered technician all in compliance with statutory Health and Safety Regulations.

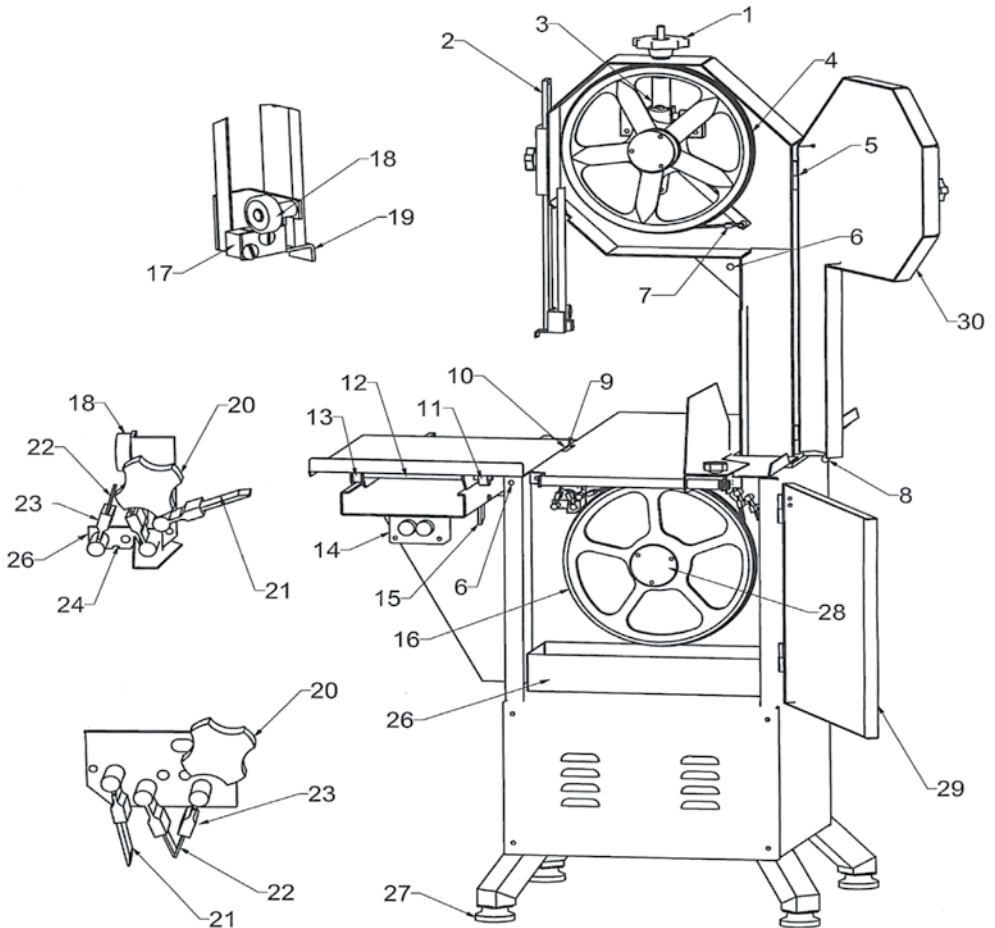


Wiring diagram for OKTO Band Saw MK7



Item No	Stores No	Description
C1 – C2	300924	BF9 CONTACTOR
K1	305820	O/L RELAY
M	304437	MOTOR
S1 – S2	306718	LIMIT SWITCH
S3	306779	GREEN PUSH BUTTON
	306781	GREEN CONTACT BLOCK
S4	306778	RED PUSH BUTTON
	306780	RED CONTACT BLOCK

Controls and spares for OKTO Band Saw MK 7



SQUARE BAND SAW/BUTCH

APPLICABLE FROM SERIAL No 302/12/0073

	STOCK No:	QTY:	DESCRIPTION:
1	331132	1	Tension Unit Knob
2	390018	1	Carrier Bar Aluminuim
3	390218	1	Tension Unit Housing
	390220	1	Tension Unit Stud
	390208	1	Tension Yoke
	390217	1	Yoke Tension Pin
4	390214	1	Upper Wheel (ASSY C/W) (280/A)
	321418	2	Bearing 6206 2RS
	324562	2	62mm Int Circlip
5	329944 + 329945	4	Hinge Top & Bottom
6	306718	2	Limit Switch
7	390059	1	Wheel Scraper (Top Wheel)
8	390711	1	S/Steel Table Locking Screw (7354-7)
9	390232	1	Metal Guide Block
10	390234	1	Nylon Guide Block
11	390710	1	Carriage Wheel Plain
	324554	1	26mm INT Circlip
	321304	1	Bearing 6000 ZZ
12	DRG 7354-2	2	Cariage Axel
13	390714	2	Grooved Wheel
	324554	1	26mm Int Circlip
	321304	1	Bearing 6000 ZZ
14	306778	1	Off Push Button Red
	306780	1	Red Contact Block
	306779	1	On Push Button Green
	306781	1	Green Contact Block
15	DRG 6622-2	1	Toggle

	STOCK NO:	QTY:	DESCRIPTION:
16	390226	1	Lower Wheel
17	390032	1	Blade Guide
18	321403	2	Bearing 6200 2RS (Scraper Top And Bottom)
	324512	2	Ext Circlip 10mm
19		1	Upper Blade Guard Assy
20	331118	3	Knob
	331119	3	Plug For Knob
21	390054	2	Wheel Scraper (Bottom)
	390052	3	Wheel Scraper Holder
22	390053	4	Blade Scraper (Copper)
	390051	4	Blade Scraper Holder
	343385	1	Torsion Spring (L/H)
	343384	1	Torsion Spring (R/H)
24	390064	1	Scraper Plate Assy
	390046	1	Locating Sleeve
	390002	1	Bearing Mount Pin
26	DRG 7351-7	1	Bone Tray
27	327011	4	M12 Moulded Rubber Feet
28			Bearing Housing Assy
	326563	2	72mm Int Circlips
	343017	2	Z207 Seal Set
	321527	2	Bearing 6306 2RS (Bottom Wheel)
	390418	1	Lower Shaft Collar (390)
	390733	1	Lower Wheel Shaft
29	DRG 7348-2	1	Lower Door
30	DRG 6620-17	1	Top Door



STOCK NO:	QTY:	DESCRIPTION:
SPARES NOT SHOWN		
337607	1	Taper Lock Ø24 Shaft
337614	1	Taper Lock Ø28 Shaft
390736	1	112 X 1A Cast Iron Pully
390735	1	80 X 1A Cast Iron Pully
322610	1	13 X 1150 Lp V Belt
390211	1	Blades Extra Cut
304437	1	1,5kW Motor 4 Pole
305820	1	O/L Relay
300924	1	BF9 Contactor
390320	1	Bearing Housing

PREVENTATIVE MAINTENANCE:

- 1) Do a routine check on the general appearance.
- 2) Check that no screws and nuts have worked themselves loose.
- 3) Check the condition of the supply cable and plug.
- 4) All surfaces should be washed with a soft clean cloth and warm water. The use of spraying water under pressure, should be avoided as this may reduce the life of bearings and could cause electrical faults.

LUBRICATION:

- 1) The bearings of the upper wheel are packed with lubricant and sealed. They require no further lubrication.
- 2) After cleaning, the following parts should each receive a few drops of oil; blade roller supports; upper wheel guides; carriage wheels; all door hinges and blade roller support.

SAFETY:

- 1) The only part of the saw blade exposed, is the gap where the cutting is done.
This must be reduced to a minimum by the lowering of the Front Guard Carrier Bar (2). Ensure that the Locking Screw is tightened.
- 2) Ensure that all components are properly fitted and secure and doors are closed before cutting begins.
- 3) Ensure that the electrical supply is turned off at the isolator switch before cleaning or removing any components.
- 4) DO NOT wear any loose clothing that may become caught in the moving parts of the machine.
- 5) Doors must remain closed at all times while the Band Saw is in operation. The upper and lower wheel door / covers are fitted with Limit Switches. If the motor is running and either of the doors are opened the motor will cut out as a safety precaution.
- 6) The upper and lower metal guides should be checked once daily and always be kept in good condition. Should they not be cared for, the blade may twist and give a bad cut if worn or even jump off the wheels.

Subject to standard Crown National warranty within South Africa borders. Subject to standard Crown National Export warranty outside South Africa borders. Crown National reserves the right to modify or alter appliances without prior notice. Local prices subject to confirmation at time of purchase / placing of order.

© Copyright subsists on all work published in this operating manual and may not be reproduced or adapted, in whole or in part, without written permission of Crown National. Whilst every effort has been taken in the preparation of this operating manual to ensure the accuracy and relevance of the contents, Crown National cannot be held responsible for any omissions or errors, or from damages resulting from the use of information contained herein.

